



US00D883761S

(12) **United States Design Patent**
Jones

(10) **Patent No.:** **US D883,761 S**

(45) **Date of Patent:** **** May 12, 2020**

(54) **FACING AND INSERT PORTIONS OF A
FIT-FOR-PURPOSE SENSOR HOUSING FOR
A DOWNHOLE TOOL**

(71) Applicant: **TOOL JOINT PRODUCTS LLC,**
Houston, TX (US)

(72) Inventor: **David B. Jones,** Houston, TX (US)

(**) Term: **15 Years**

(21) Appl. No.: **29/600,197**

(22) Filed: **Apr. 10, 2017**

Related U.S. Application Data

(63) Continuation-in-part of application No. 29/525,635,
filed on Apr. 30, 2015, now Pat. No. Des. 786,642.

(51) **LOC (12) Cl.** **08-03**

(52) **U.S. Cl.**
USPC **D8/61**

(58) **Field of Classification Search**
USPC D8/17, 21-29, 59-62, 64, 67, 68, 70;
544/330, 331; 514/256
CPC E21B 23/01; E21B 33/124; E21B 33/129;
E21B 33/1291; E21B 33/1204
See application file for complete search history.

(56) **References Cited**

U.S. PATENT DOCUMENTS

- 5,341,345 A * 8/1994 Warner E21B 47/082
181/105
- 6,880,647 B2 4/2005 Villareal
- 7,587,936 B2 * 9/2009 Han E21B 47/01
367/25
- 8,130,591 B2 * 3/2012 Geerits G01V 1/50
367/35
- 8,528,668 B2 9/2013 Rasheed

- D786,642 S * 5/2017 Jones D8/61
- 9,719,304 B2 * 8/2017 Radford E21B 10/322
- 2008/0128175 A1 * 6/2008 Radford E21B 10/322
175/269
- 2009/0294173 A1 * 12/2009 Laird E21B 12/02
175/39
- 2010/0089583 A1 * 4/2010 Xu E21B 10/322
166/298
- 2011/0226531 A1 * 9/2011 Jones E21B 47/082
175/50

* cited by examiner

Primary Examiner — Austin Murphy

(74) *Attorney, Agent, or Firm* — Craft Chu PLLC;
Andrew W. Chu

(57) **CLAIM**

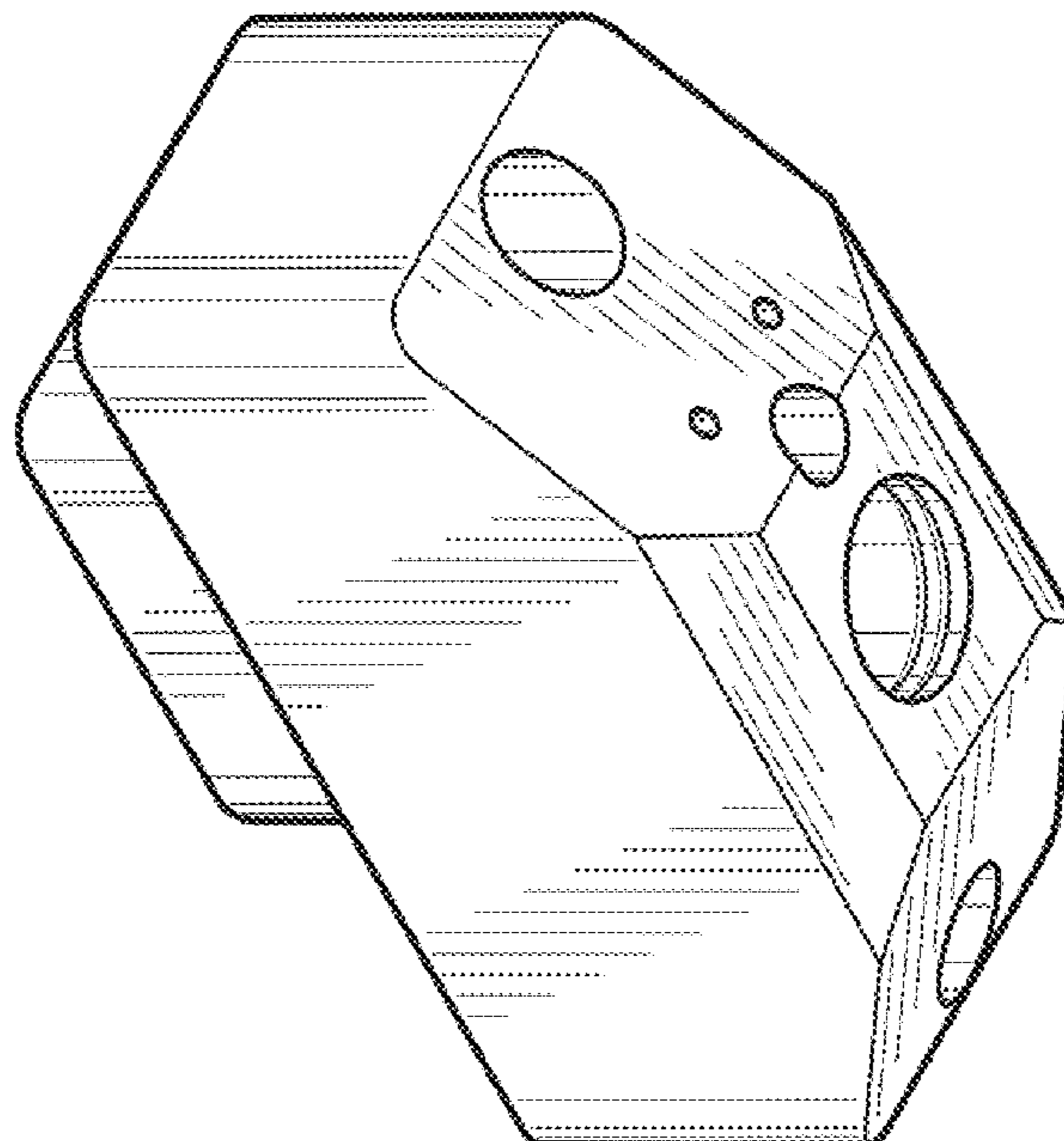
The ornamental design for facing and insert portions of a fit-for-purpose sensor housing for a downhole tool, as shown and described.

DESCRIPTION

FIG. 1 is a front elevation view of the facing and insert portions of a fit-for-purpose sensor housing for a downhole tool showing my design;
 FIG. 2 is a back elevation view thereof;
 FIG. 3 is a side view thereof;
 FIG. 4 is a top view thereof; and,
 FIG. 5 is front and side perspective view thereof.

The fit-for-purpose sensor housing for a downhole sensor tool is a sensor housing to adjust the downhole tool for purpose of being deployed into a borehole of a particular diameter and measurement of particular conditions. The facing and insert portions are separated by a body portion with a variable thickness dimension. The broken line features are illustrative and form no part of the claimed design.

1 Claim, 2 Drawing Sheets



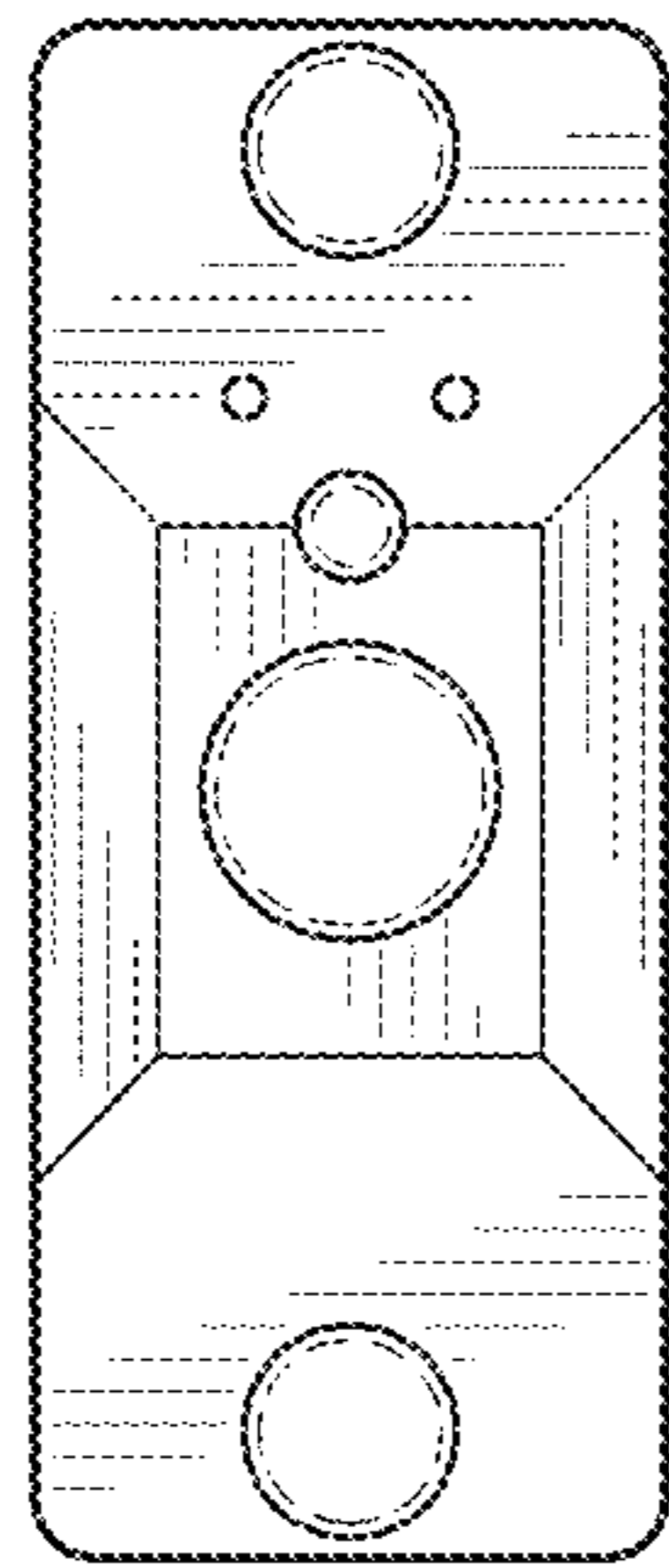


FIG. 1

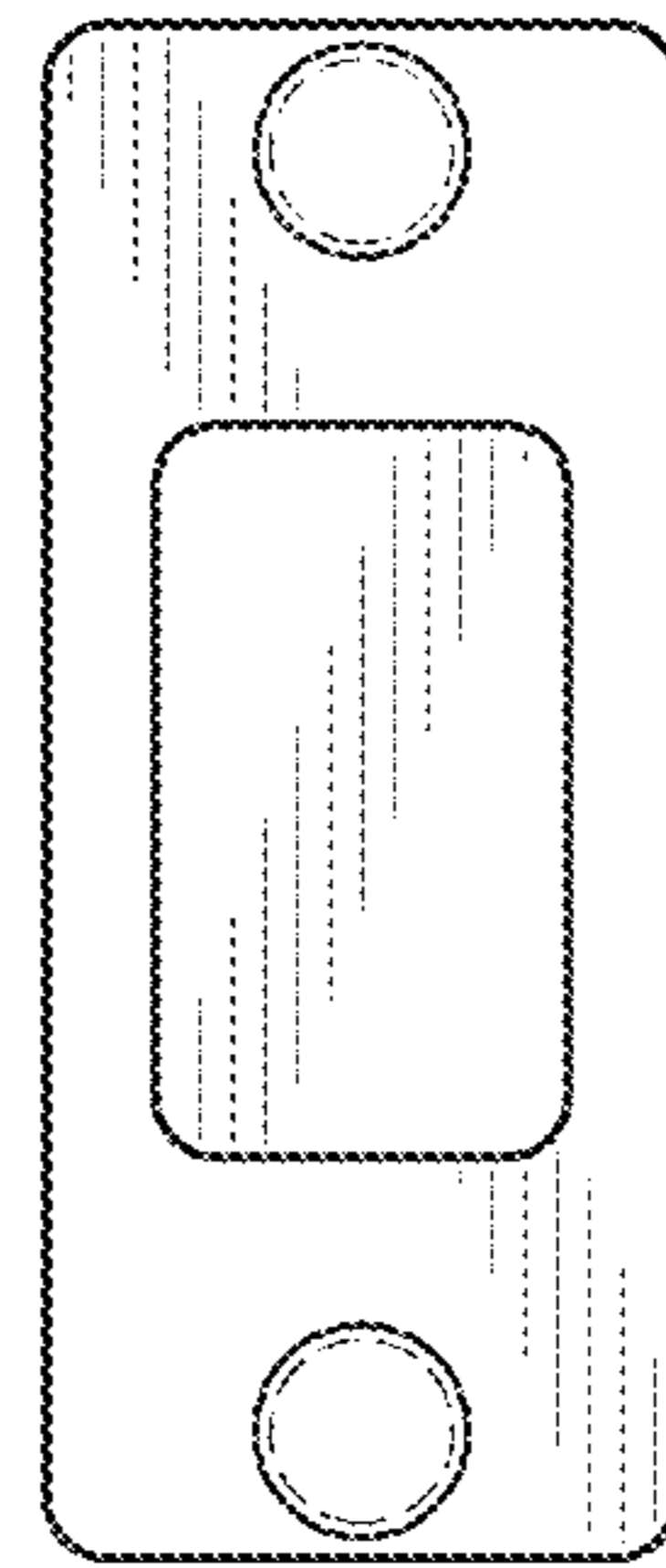


FIG. 2

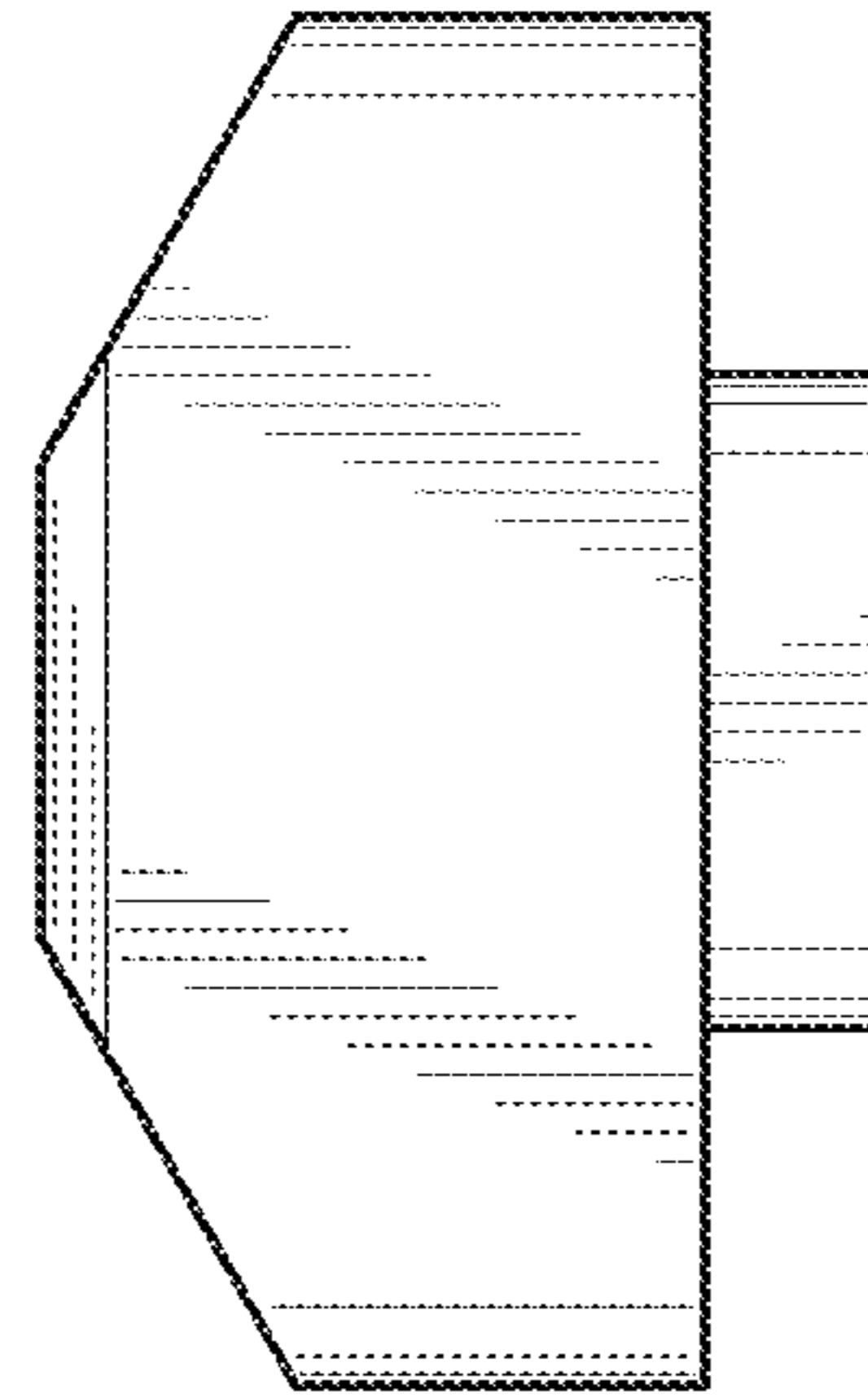


FIG. 3

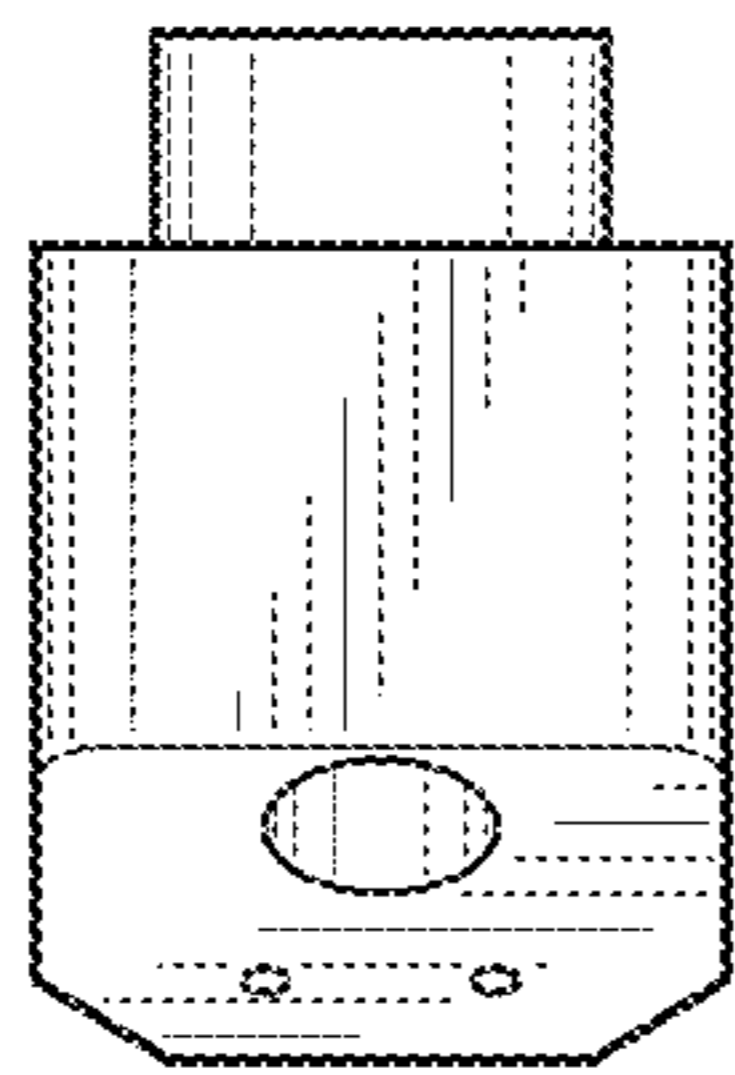


FIG. 4

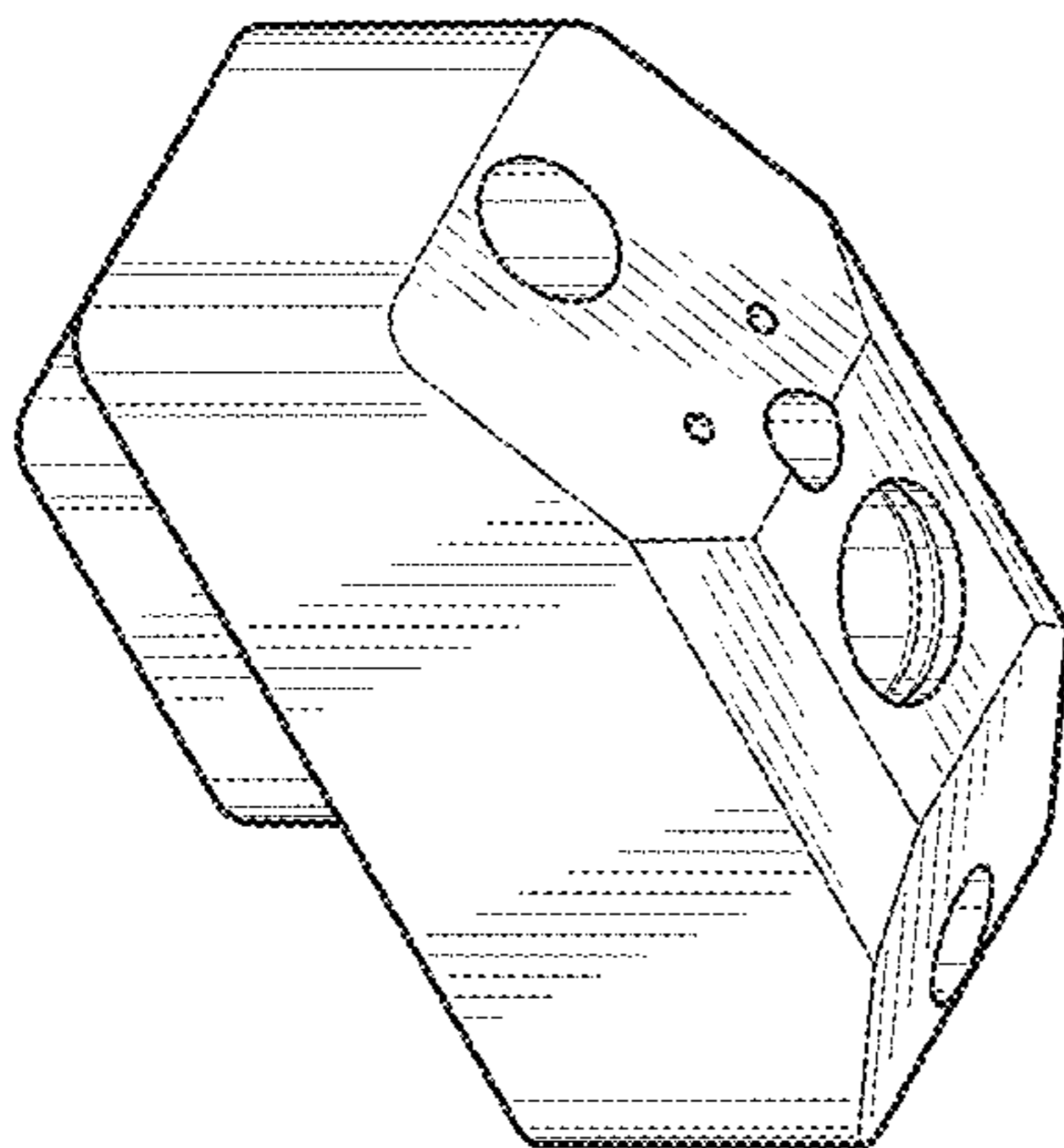


FIG. 5