



US00D883760S

(12) **United States Design Patent** (10) **Patent No.:** **US D883,760 S**  
**Hartt** (45) **Date of Patent:** **\*\* May 12, 2020**

(54) **SUCTION HANDLE**  
(71) Applicant: **iFixit**, San Luis Obispo, CA (US)  
(72) Inventor: **Brett Hartt**, Atascadero, CA (US)  
(73) Assignee: **iFixit**, San Luis Obispo, CA (US)  
(\*\*) Term: **15 Years**  
(21) Appl. No.: **29/687,491**  
(22) Filed: **Apr. 12, 2019**

D490,201 S \* 5/2004 Liao ..... D34/28  
D506,380 S \* 6/2005 Chu ..... D8/349  
D553,478 S \* 10/2007 Liao ..... D8/354  
D616,285 S \* 5/2010 Kimber ..... D8/14  
8,887,357 B2 \* 11/2014 Jimenez ..... B62J 27/00  
16/421  
D744,316 S \* 12/2015 Nook ..... D8/349  
D747,644 S \* 1/2016 Snider ..... D8/394  
D846,664 S \* 4/2019 Martinez ..... D21/662  
2002/0175527 A1 \* 11/2002 Huang ..... B25B 11/007  
294/187  
2004/0251702 A1 \* 12/2004 Ishii ..... B25B 11/007  
294/187  
2009/0166490 A1 \* 7/2009 Liao ..... F16B 47/00  
248/205.8  
2014/0035304 A1 \* 2/2014 Seebauer ..... B66C 1/0293  
294/189

**Related U.S. Application Data**

(62) Division of application No. 29/617,056, filed on Sep. 11, 2017, now Pat. No. Des. 852,595.  
(51) **LOC (12) Cl.** ..... **08-05**  
(52) **U.S. Cl.**  
USPC ..... **D8/14**  
(58) **Field of Classification Search**  
USPC ..... D8/14, 71, 107, 300, 349; D32/52;  
D21/691  
CPC ... B25B 11/005; B25B 11/007; B65G 49/061;  
B65G 2249/045  
See application file for complete search history.

\* cited by examiner

*Primary Examiner* — Philip S Hyder  
(74) *Attorney, Agent, or Firm* — Cynthia Replogle

(57) **CLAIM**

The ornamental design for a suction handle, as shown and described.

**DESCRIPTION**

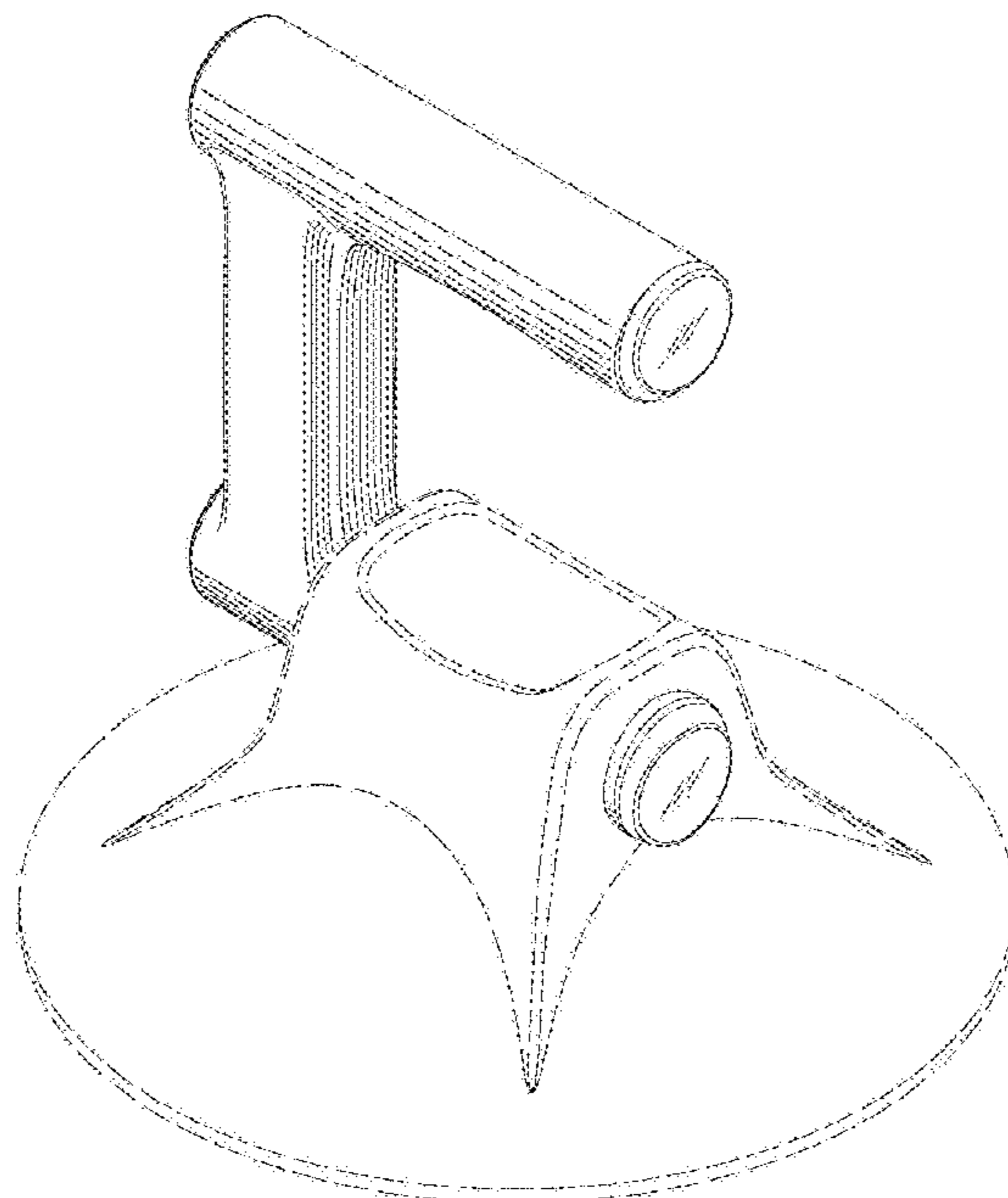
FIG. 1 is a perspective view of a suction handle showing the new design;  
FIG. 2 is a side view of FIG. 1, the opposite side being a mirror image;  
FIG. 3 is a front view of FIG. 1;  
FIG. 4 is a rear view of FIG. 1; and,  
FIG. 5 is a top view of FIG. 1.  
The broken lines illustrate portions of the tool that form no part of the claimed design.

(56) **References Cited**

**U.S. PATENT DOCUMENTS**

3,061,351 A \* 10/1962 Johnson ..... E04G 23/006  
294/187  
3,831,991 A \* 8/1974 Lukeman ..... A62C 99/009  
211/89.01  
D246,500 S \* 11/1977 Poulsen ..... D34/28  
5,639,134 A \* 6/1997 Rusch ..... B25B 11/007  
294/187  
6,154,929 A \* 12/2000 Dwyer ..... B63B 17/00  
16/422

**1 Claim, 5 Drawing Sheets**



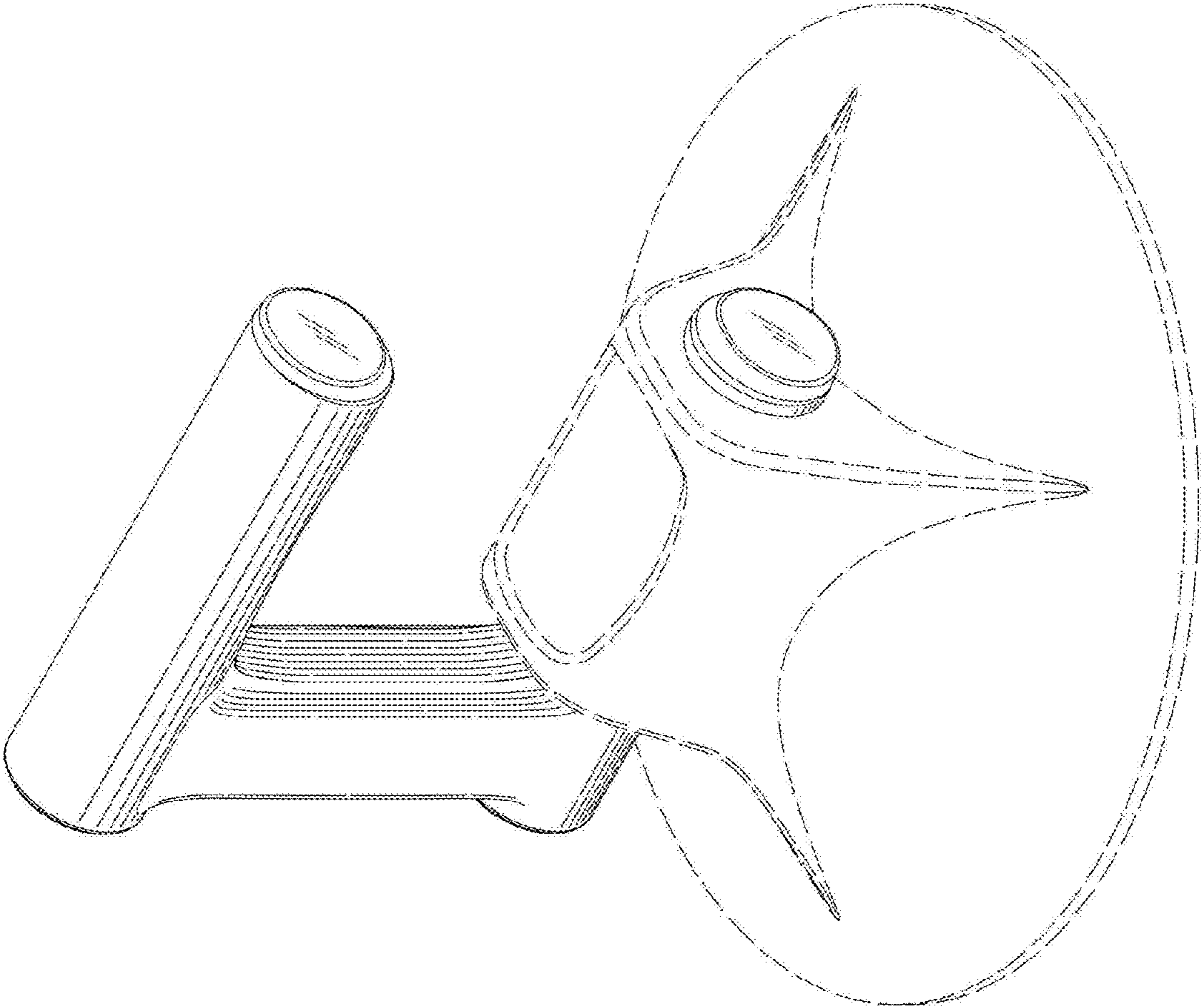


FIG. 1

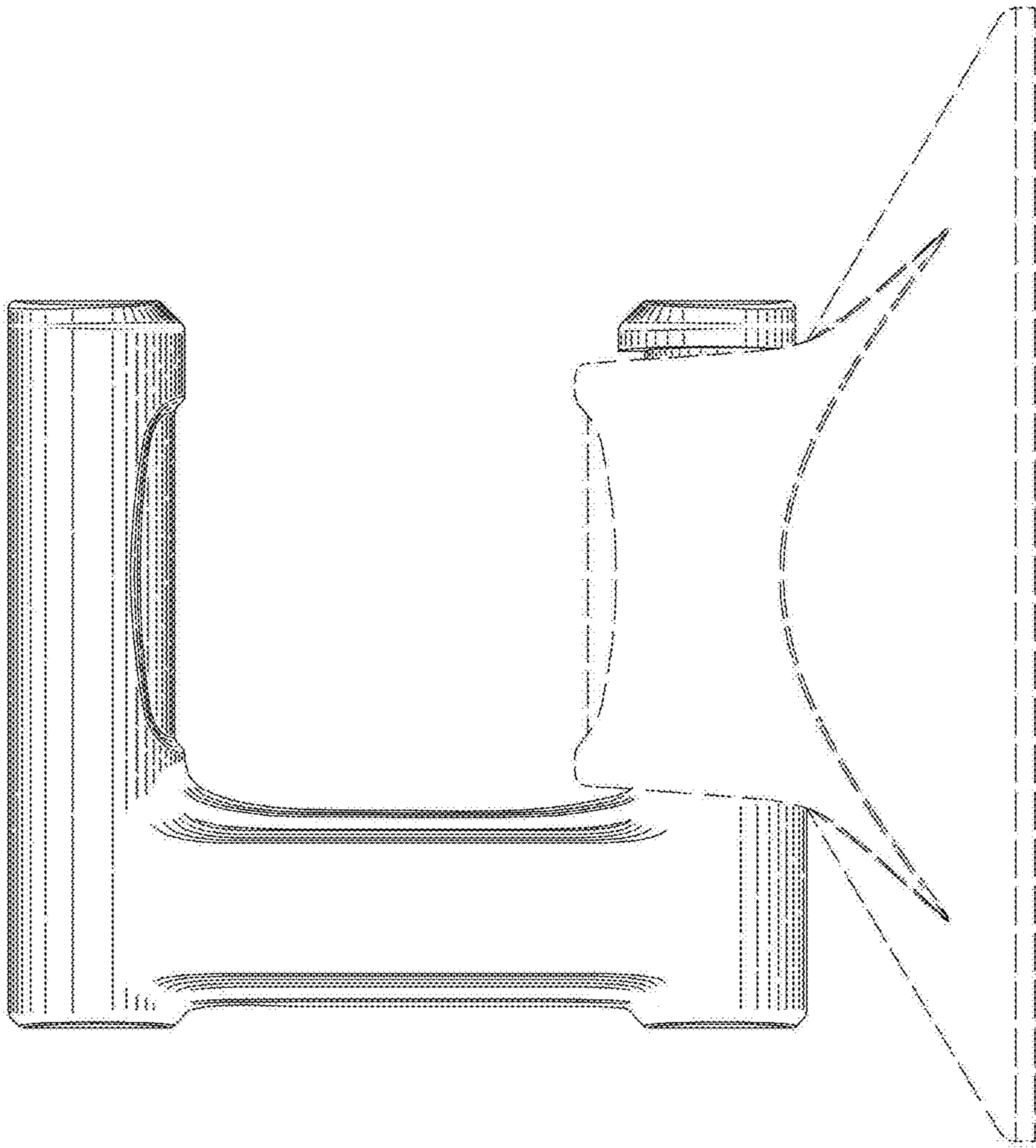


FIG. 2

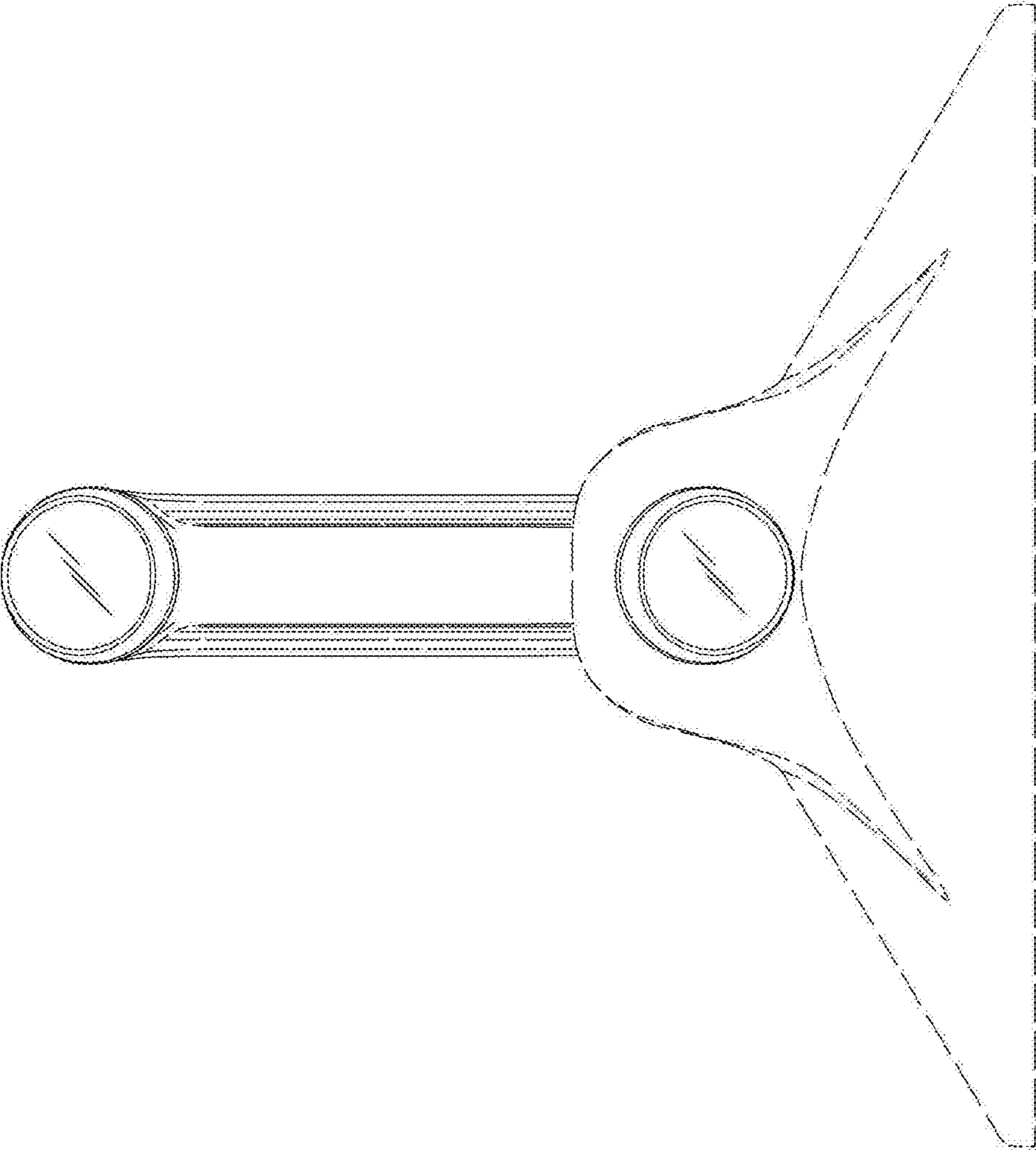


FIG. 3

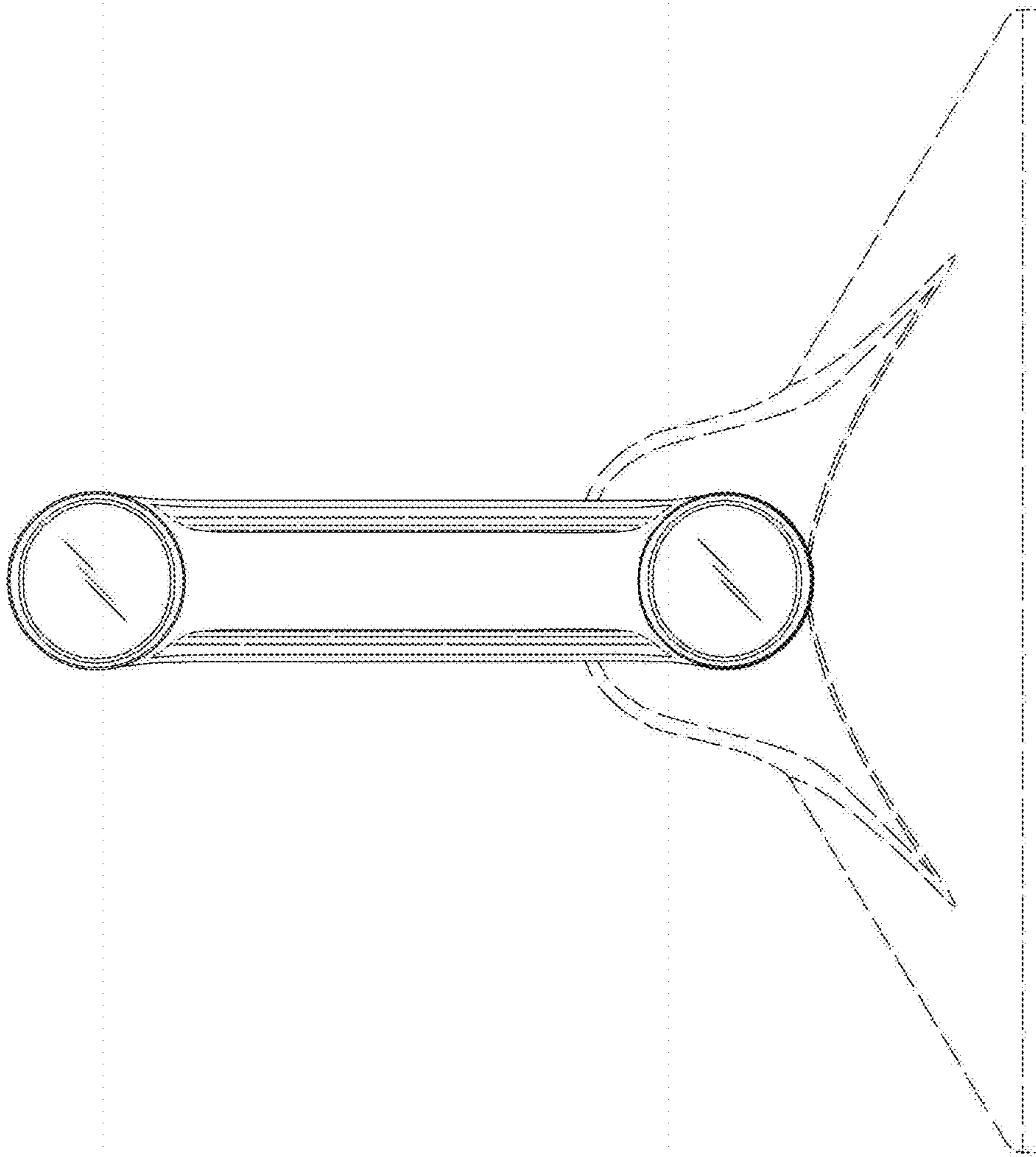


FIG. 4

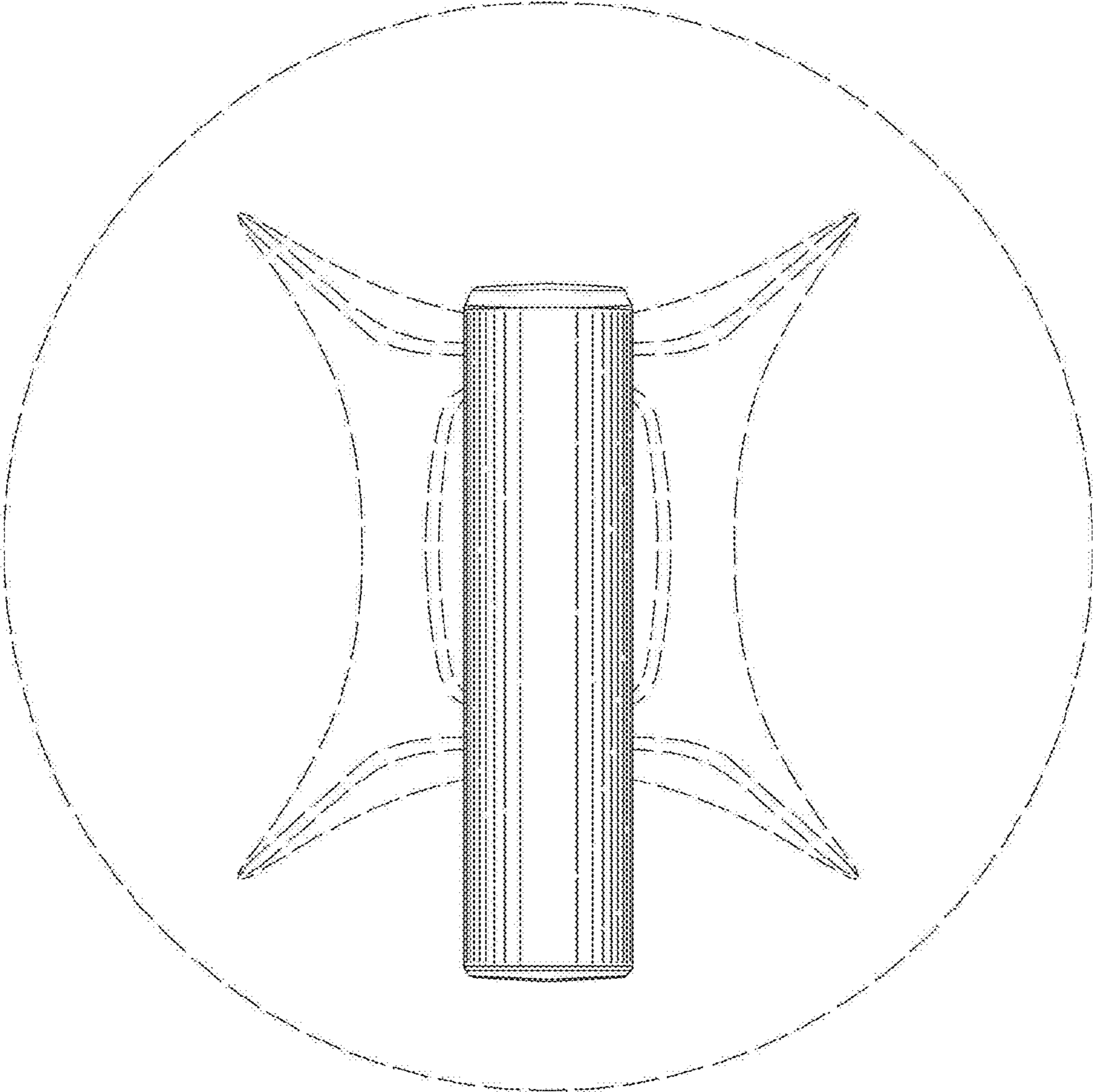


FIG. 5