



US00D883759S

(12) **United States Design Patent** (10) **Patent No.:** **US D883,759 S**
Rainaldi (45) **Date of Patent:** **** May 12, 2020**

(54) **BOTTLE HOLDER**
(71) Applicant: **OPINION CIATTI S.R.L.**, Calenzano (IT)
(72) Inventor: **Margherita Mucol Rainaldi**, Milan (IT)
(73) Assignee: **OPINION CIATTI S.R.L.**, Calenzano (FL) (IT)
(**) Term: **15 Years**

D497,526 S * 10/2004 Sanders D7/707
D526,167 S * 8/2006 Chen D6/553
D603,227 S * 11/2009 Gurer D7/701
D760,560 S * 7/2016 Chosovich D7/701

* cited by examiner

Primary Examiner — Terry A Wallace
(74) *Attorney, Agent, or Firm* — Andrew F. Young, Esq.;
Lackbach Siegel, LLP

(57) **CLAIM**

The ornamental design for bottle holder, as shown and described.

(21) Appl. No.: **29/666,807**
(22) Filed: **Oct. 16, 2018**
(30) **Foreign Application Priority Data**
Apr. 17, 2018 (EM) 005238011-0002
(51) **LOC (12) Cl.** **06-04**
(52) **U.S. Cl.**
USPC **D7/701**
(58) **Field of Classification Search**
USPC D7/701-708, 600.1-600.4; D6/672,
D6/675.5, 676.5, 677.5, 678.5, 680.3,
D6/681, 682.2, 512, 546, 549, 552
CPC A47B 73/00; A47B 73/006; A47B 73/008;
A47F 5/0815; A47F 7/28
See application file for complete search history.

DESCRIPTION

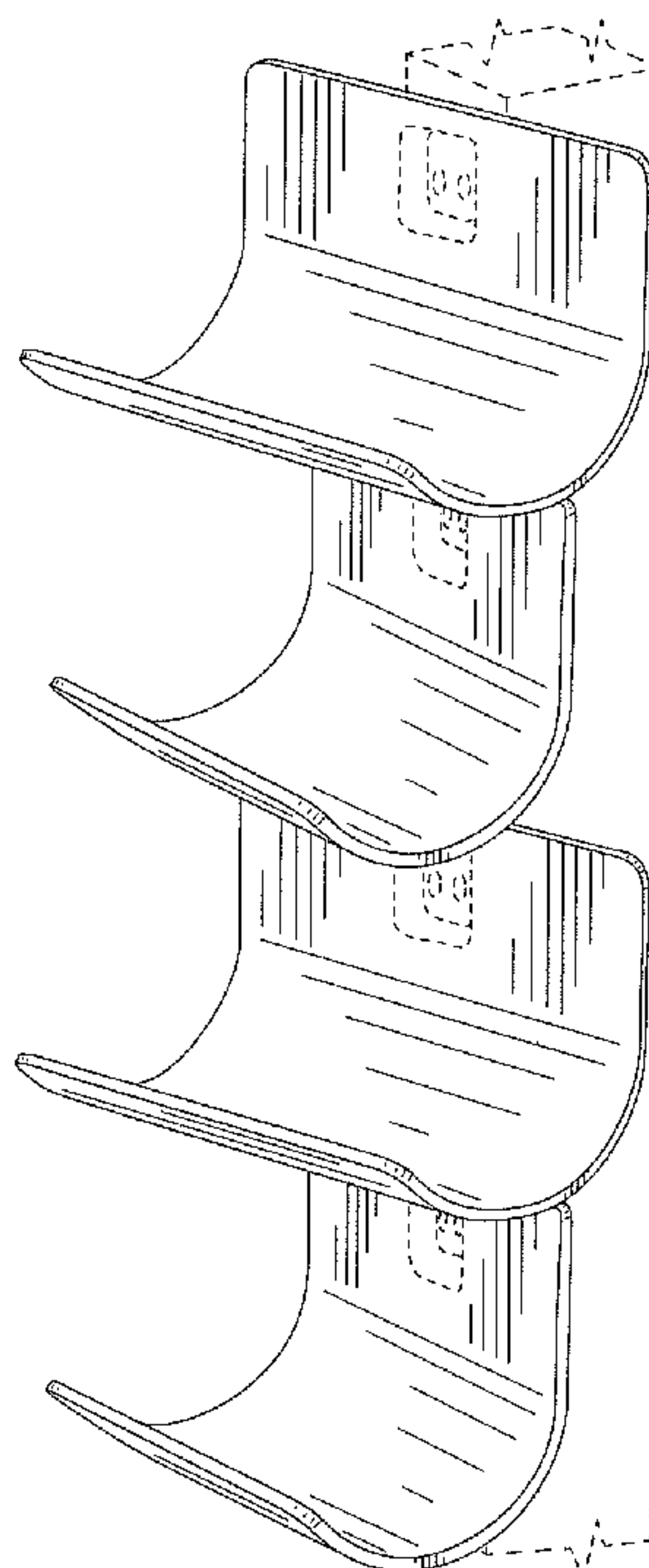
FIG. 1 is a front perspective view of a bottle holder of my present invention.
FIG. 2 is a rear perspective view of FIG. 1.
FIG. 3 is a front elevation view of FIG. 1.
FIG. 4 is a rear elevation view of FIG. 1.
FIG. 5 is a right side view of FIG. 1.
FIG. 6 is a left side view of FIG. 1.
FIG. 7 is a top plan view of FIG. 1.
FIG. 8 is a bottom plan view of FIG. 1; and,
FIG. 9 is an illustration view of the invention in an environmental use-condition along section 1, and to which no claim is made.
The dash-dash lines in FIGS. 1-9, indicate disclaimed portions to which no claim is made. The broken cut line (dash-jog-dash) in FIGS. 1-6 indicates a break-portion of a longer member, and to which no claim is made. The dash-dot-dash line in FIG. 9 is a section indicator demarking an illustration portion. No claim is made to portions that are not shown.

(56) **References Cited**

U.S. PATENT DOCUMENTS

D252,550 S * 8/1979 Johnson D7/708
D479,786 S * 9/2003 Matheou D7/701

1 Claim, 8 Drawing Sheets



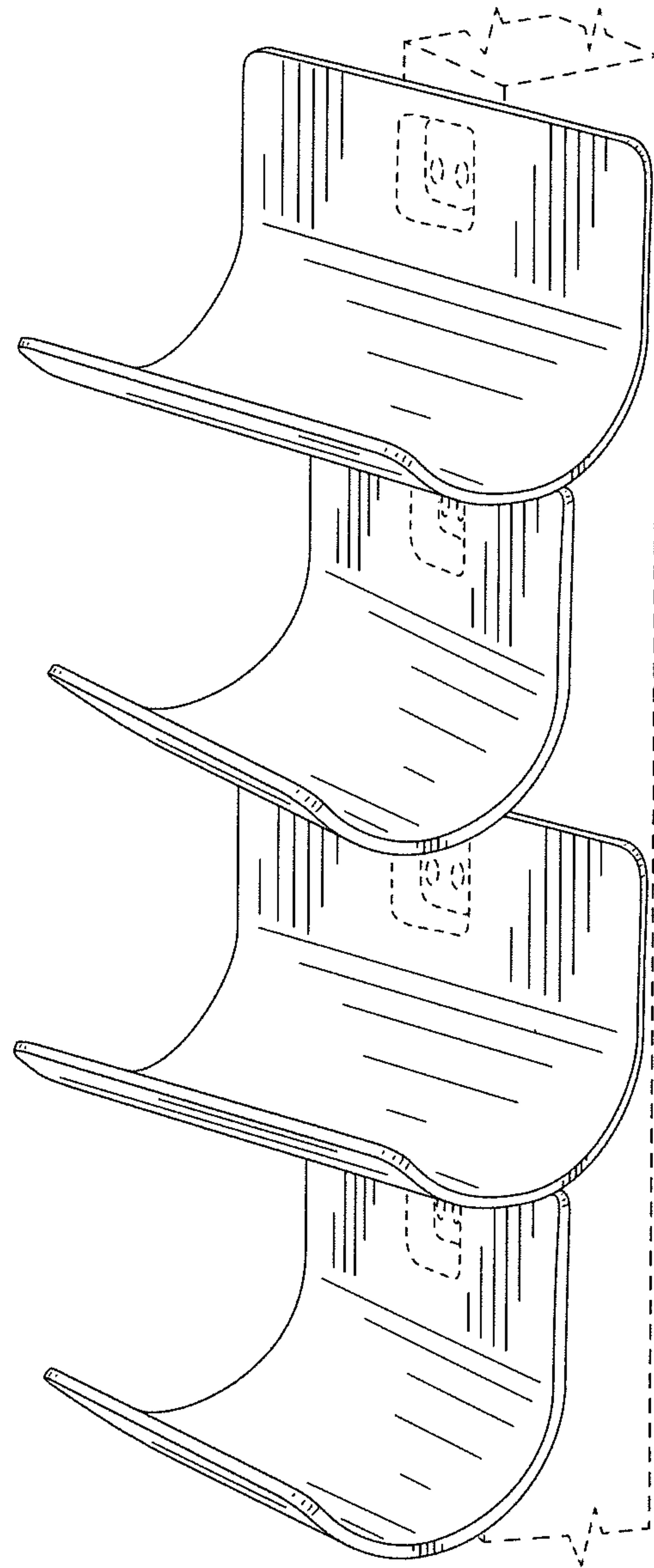


FIG. 1

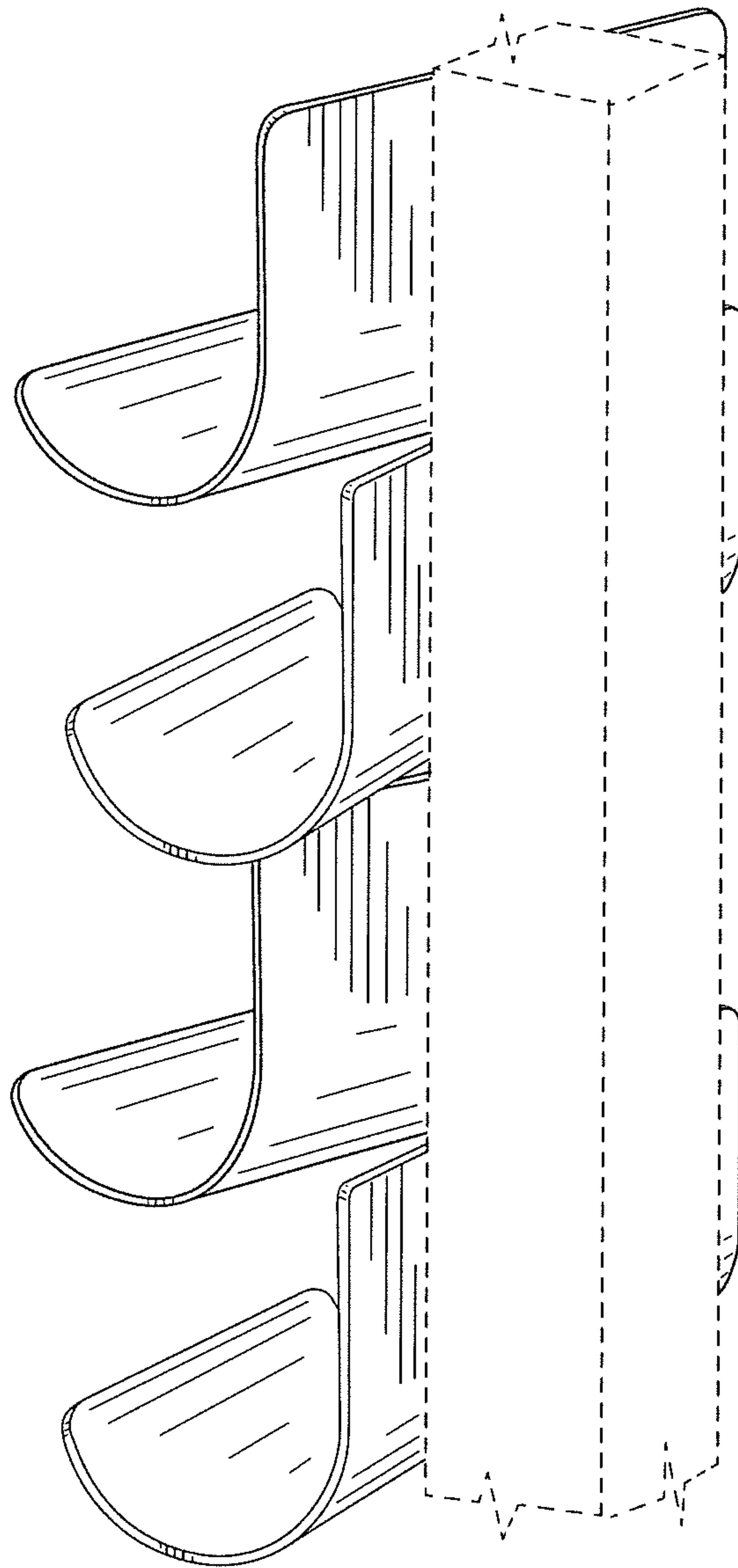


FIG. 2

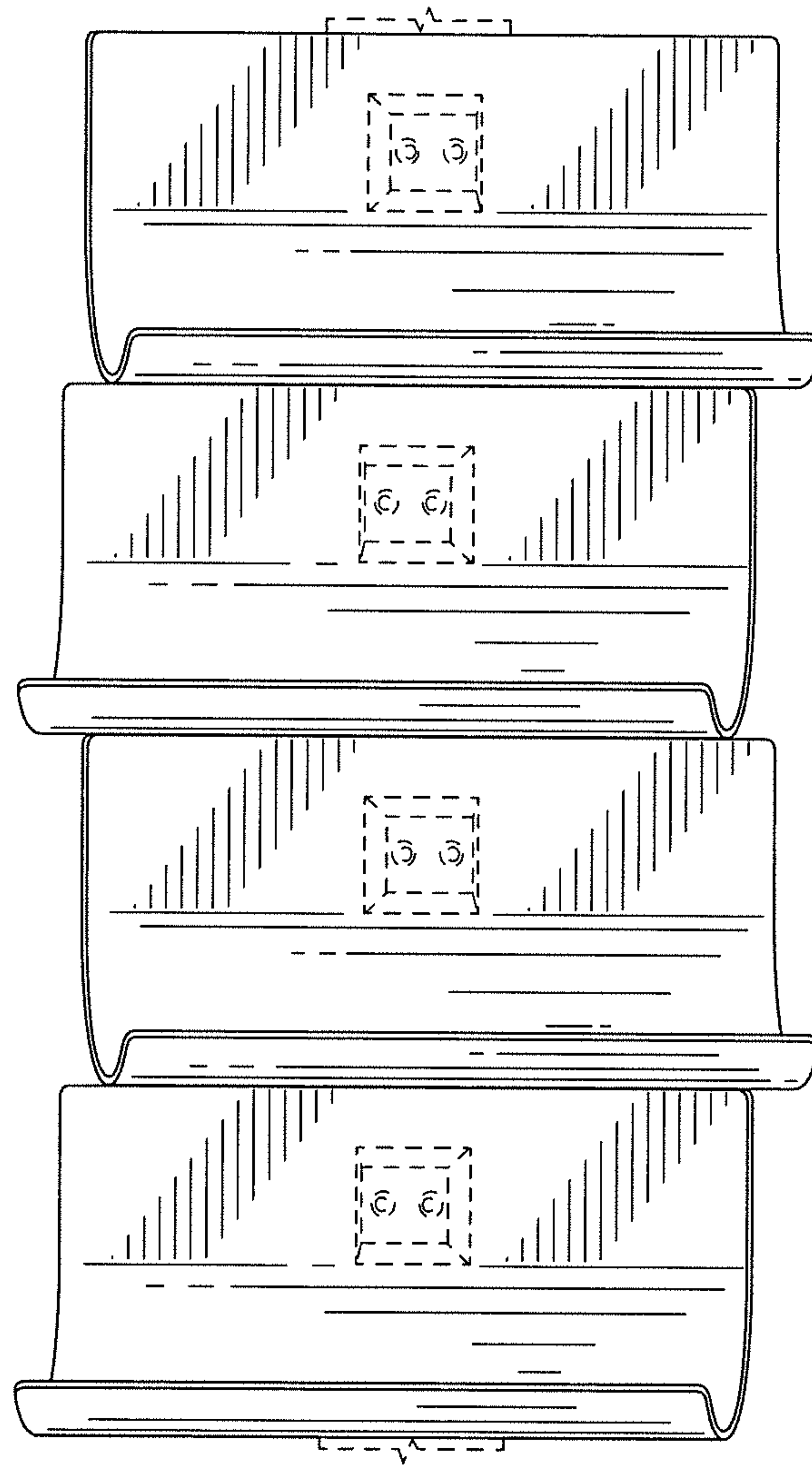


FIG. 3

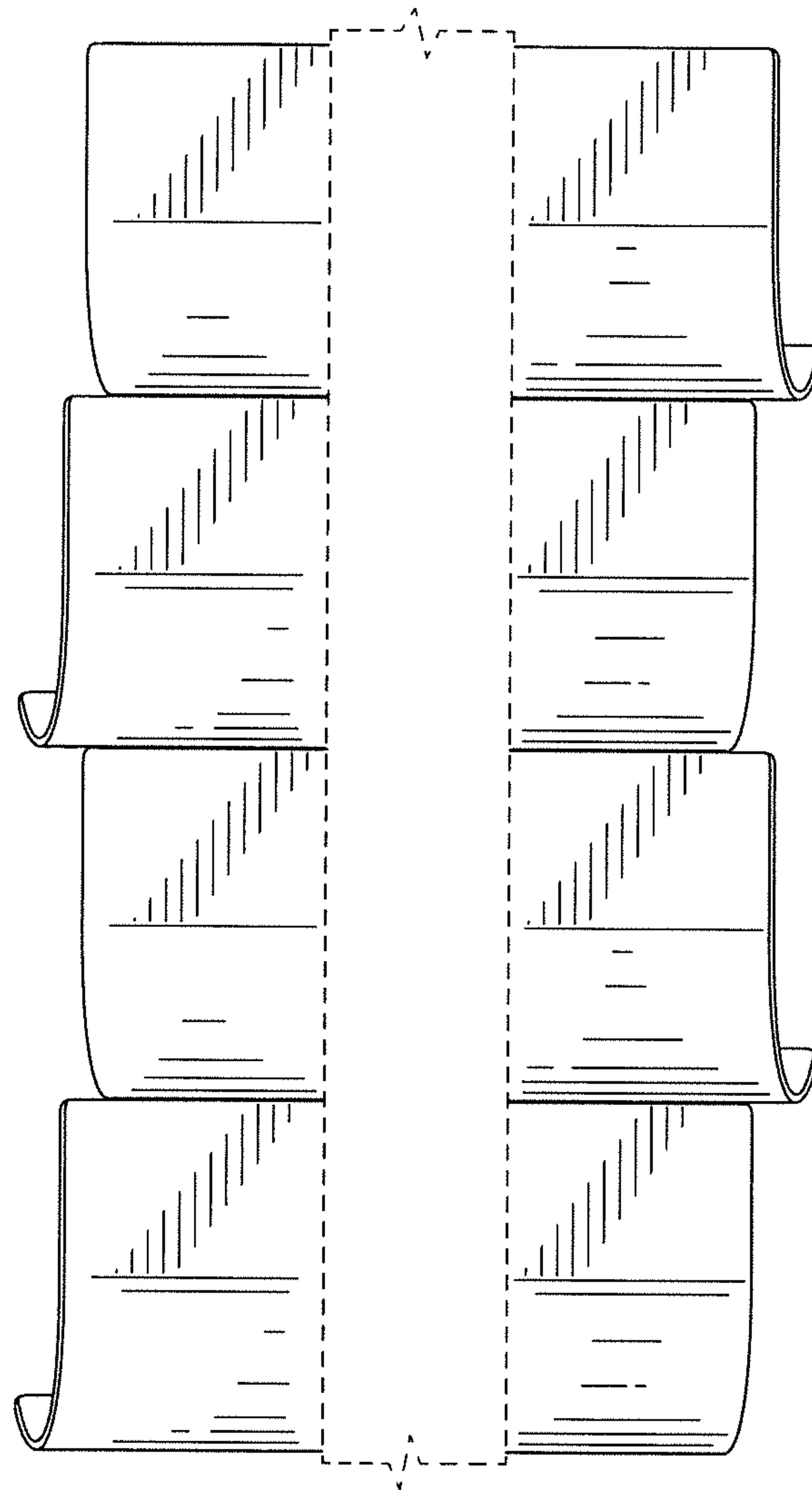


FIG. 4

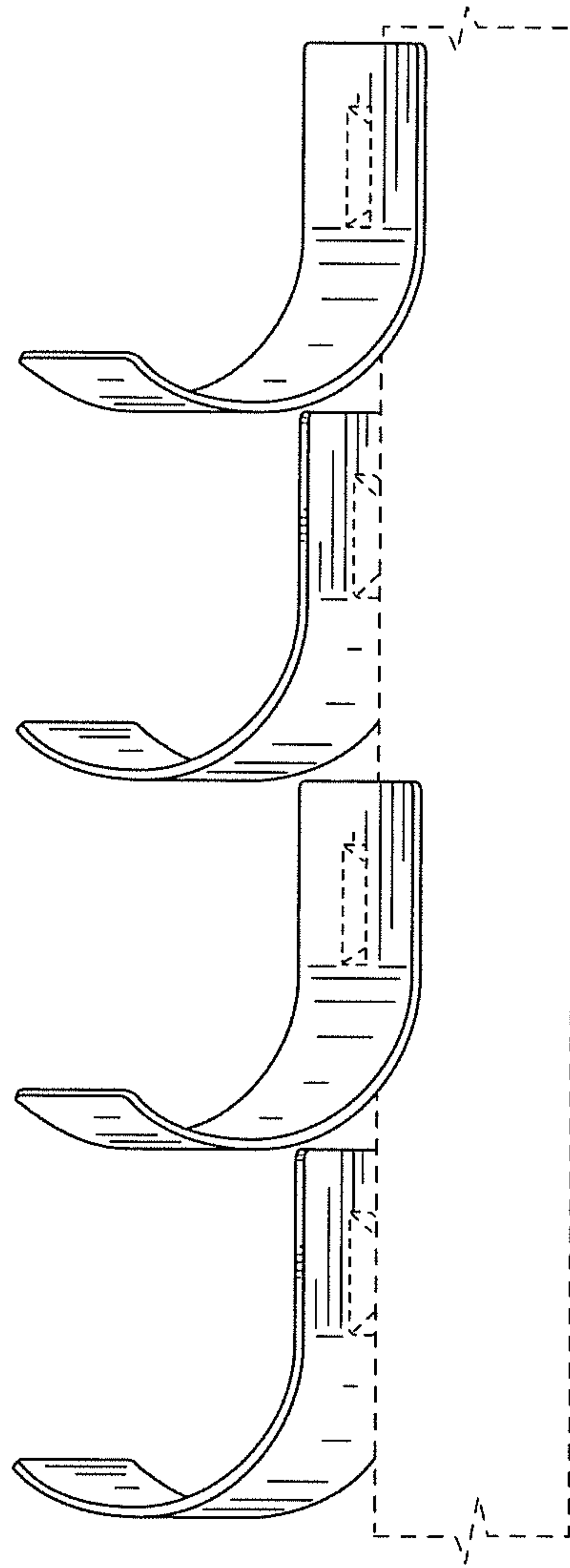


FIG. 5

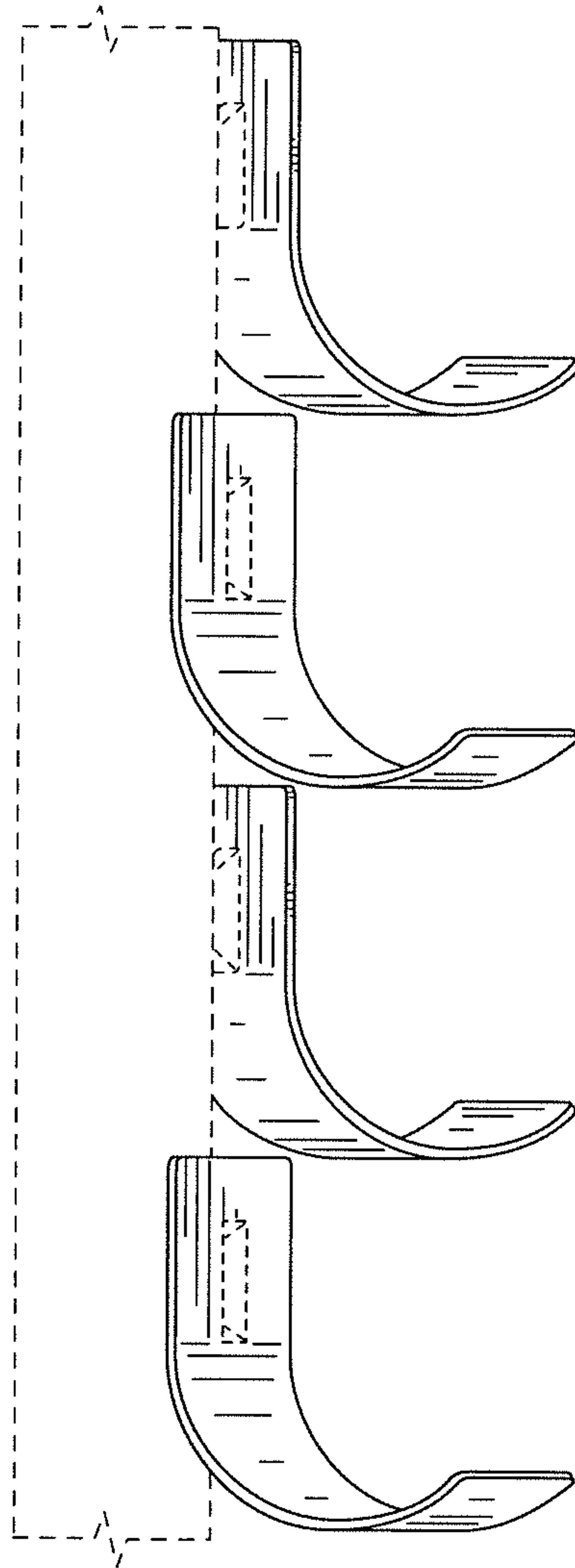


FIG. 6

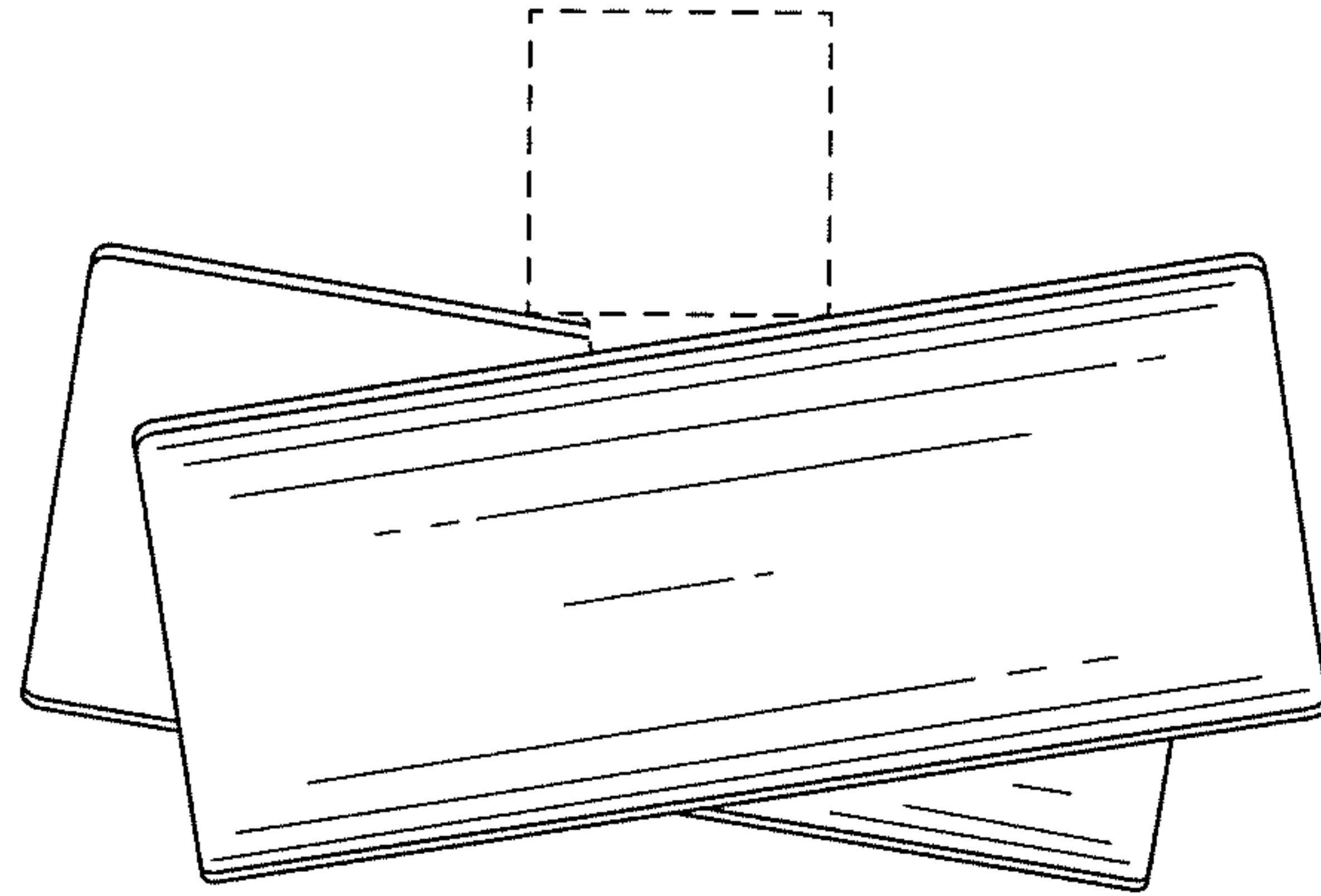


FIG. 7

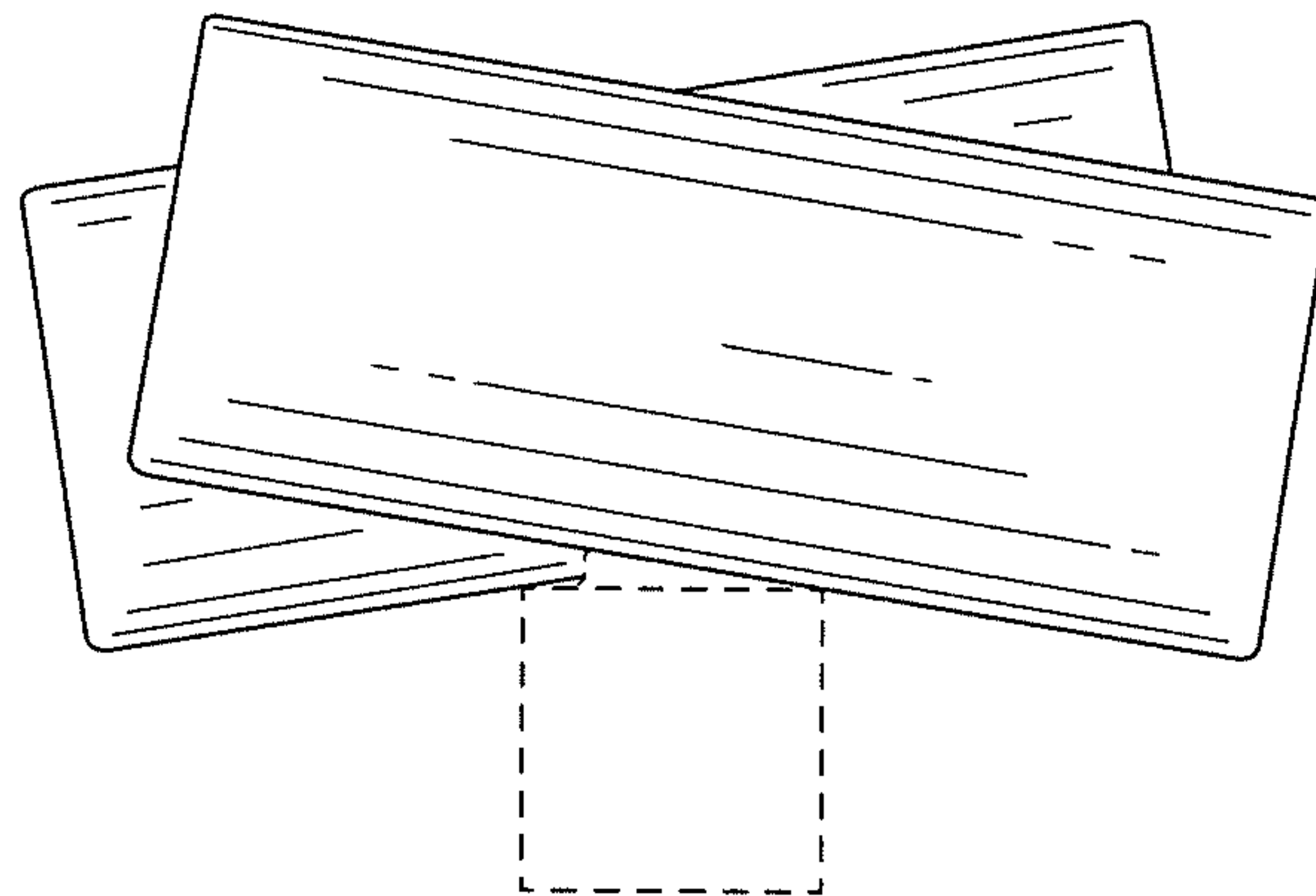


FIG. 8

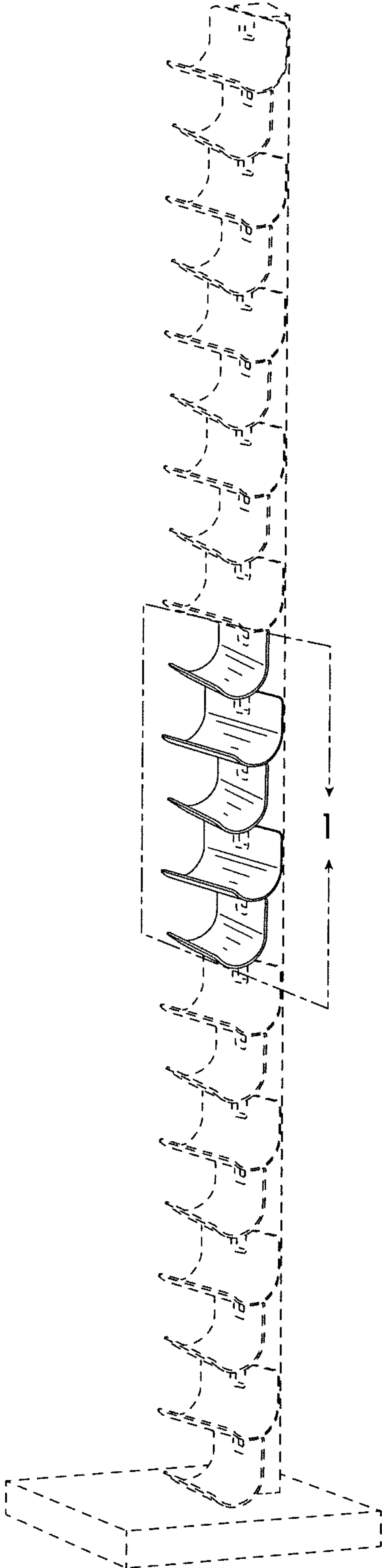


FIG. 9