



US00D883758S

(12) **United States Design Patent** (10) **Patent No.:** **US D883,758 S**
Lv (45) **Date of Patent:** **** May 12, 2020**

(54) **CAKE MOLD**

(71) Applicant: **ZHEJIANG MARISSA INDUSTRY & TRADE CO., LTD**, Changshan (CN)

(72) Inventor: **Yibin Lv**, Changshan (CN)

(73) Assignee: **ZHEJIANG MARISSA INDUSTRY & TRADE CO., LTD**, Changshan (CN)

(**) Term: **15 Years**

(21) Appl. No.: **29/665,925**

(22) Filed: **Oct. 8, 2018**

(30) **Foreign Application Priority Data**

Jun. 15, 2018 (CN) 2018 3 0308205

(51) **LOC (12) Cl.** **07-04**

(52) **U.S. Cl.**
USPC **D7/675**

(58) **Field of Classification Search**
USPC D7/354, 357, 672-677, 359, 361;
99/426; D9/425; D15/90; 426/515
CPC A23G 9/221; A23G 9/503; A23G 9/083;
A23G 9/26; A23G 1/205; A47J 43/20;
A21C 11/106
See application file for complete search history.

(56) **References Cited**

U.S. PATENT DOCUMENTS

D124,055 S * 12/1940 Arone D7/675
D272,703 S * 2/1984 Miller D7/675

D517,367 S * 3/2006 Linkous D7/354
D526,838 S * 8/2006 Park D7/359
D662,372 S * 6/2012 Jowett D7/676
D698,196 S * 1/2014 Barber D7/354
D712,707 S * 9/2014 Altounian D7/675
D863,867 S * 10/2019 Lv D7/359
D871,127 S * 12/2019 Lv D7/359
D871,128 S * 12/2019 Lv D7/359

OTHER PUBLICATIONS

5 Hole Cinderella Set, Jul. 24, 2018, Amazon, https://www.amazon.com/Cinderella-Silicone-Fondant-Pumpkin-Liquid/dp/B07FTFBJP1/ref=sr_1_29?keywords=fondant+mold+princess&qid=1584457355&sr=8-29 (Year: 2018).*

* cited by examiner

Primary Examiner — Brett Miller

(74) *Attorney, Agent, or Firm* — Gokalp Bayramoglu

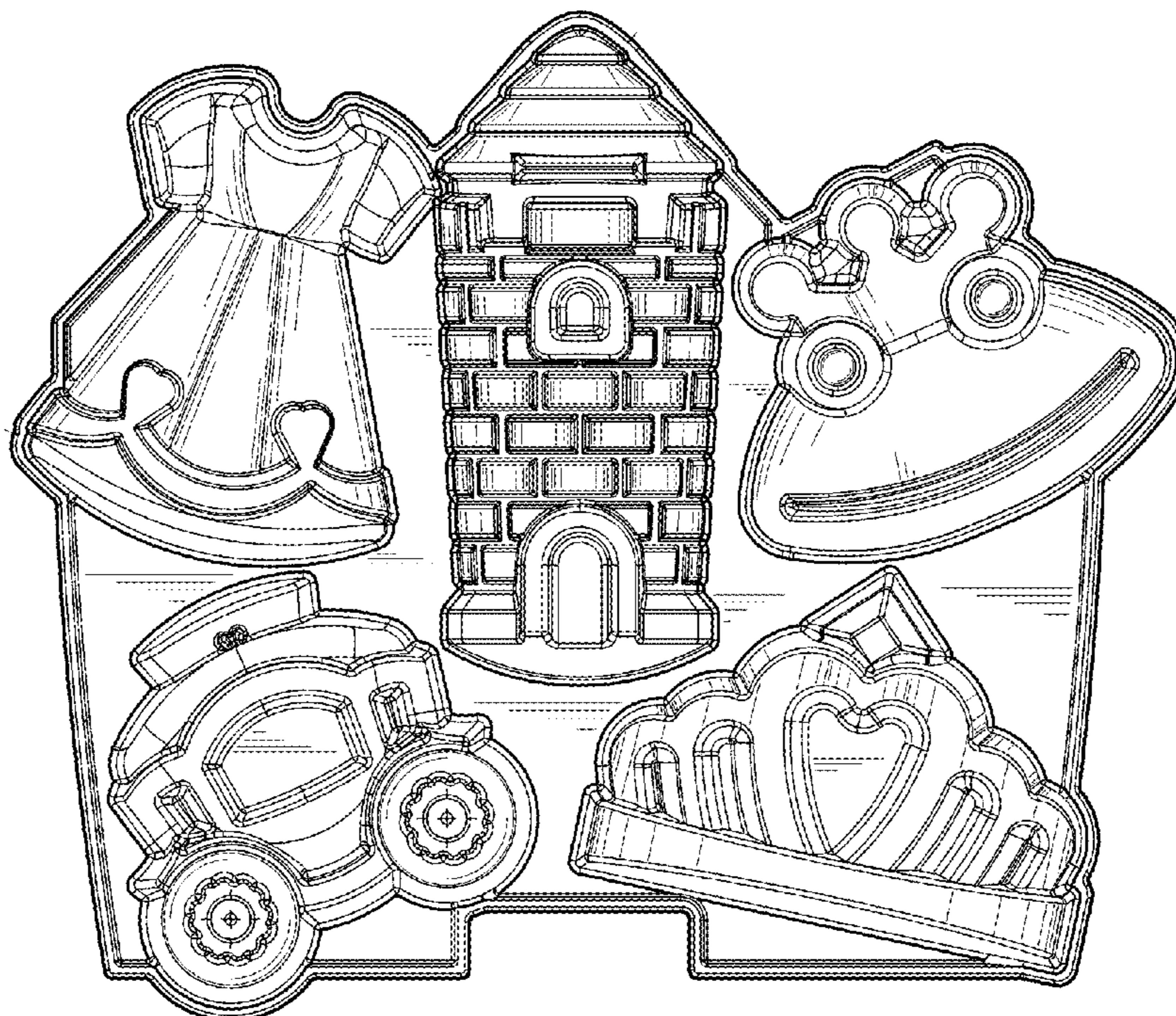
(57) **CLAIM**

The ornamental design for cake mold, as shown and described.

DESCRIPTION

FIG. 1 is a perspective top view of cake mold showing the new design;
FIG. 2 is a right side view thereof;
FIG. 3 is a front view thereof;
FIG. 4 is a left side view thereof;
FIG. 5 is a rear view thereof;
FIG. 6 is a top view thereof;
FIG. 7 is a bottom view thereof; and,
FIG. 8 is a perspective bottom view thereof.

1 Claim, 8 Drawing Sheets



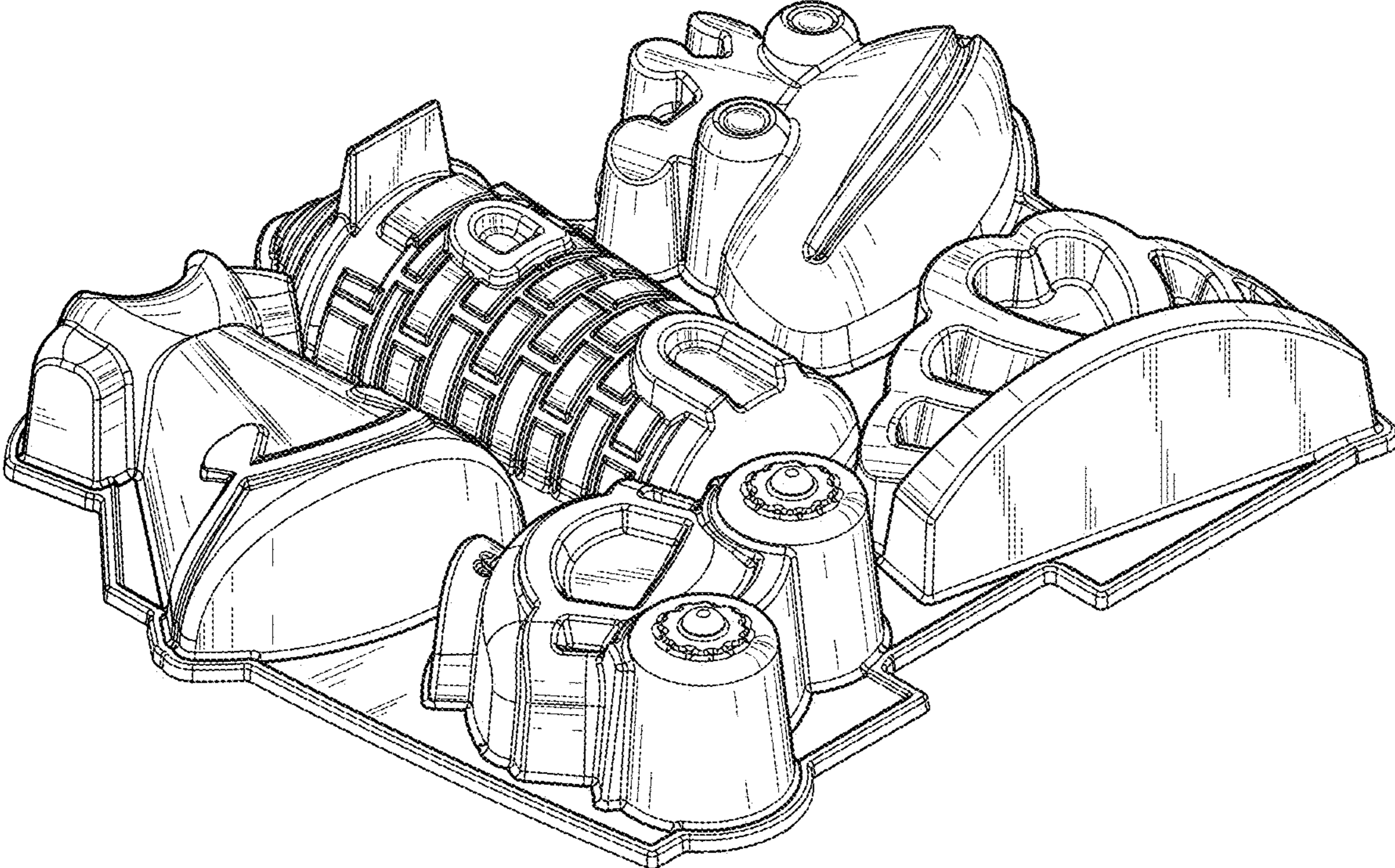


Fig. 1

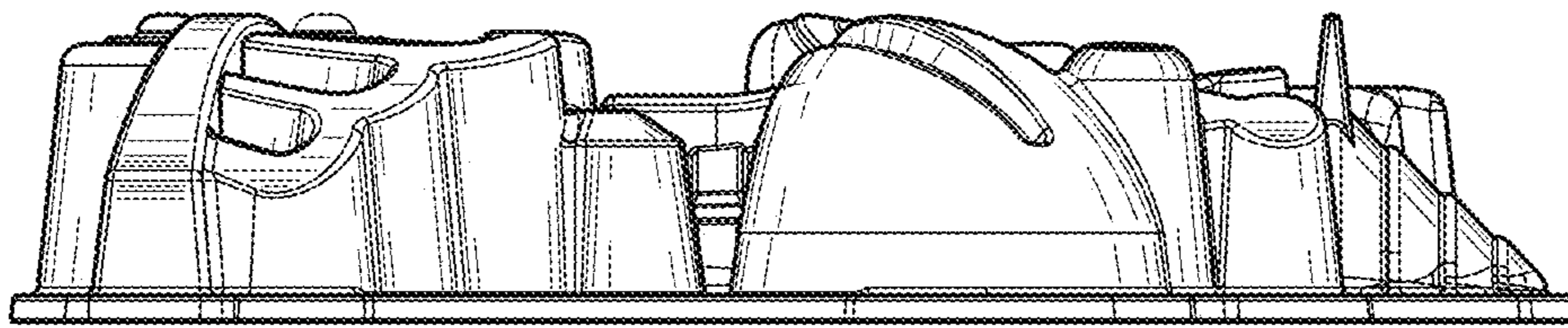


Fig. 2

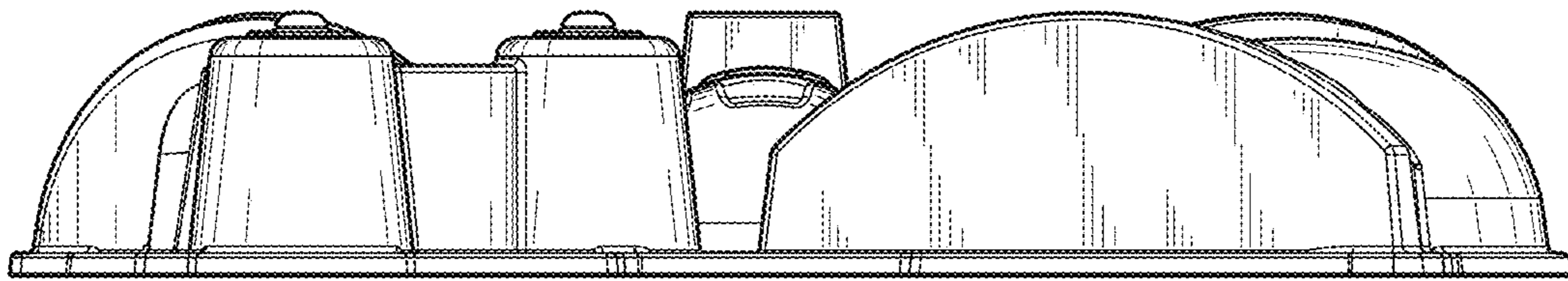


Fig. 3

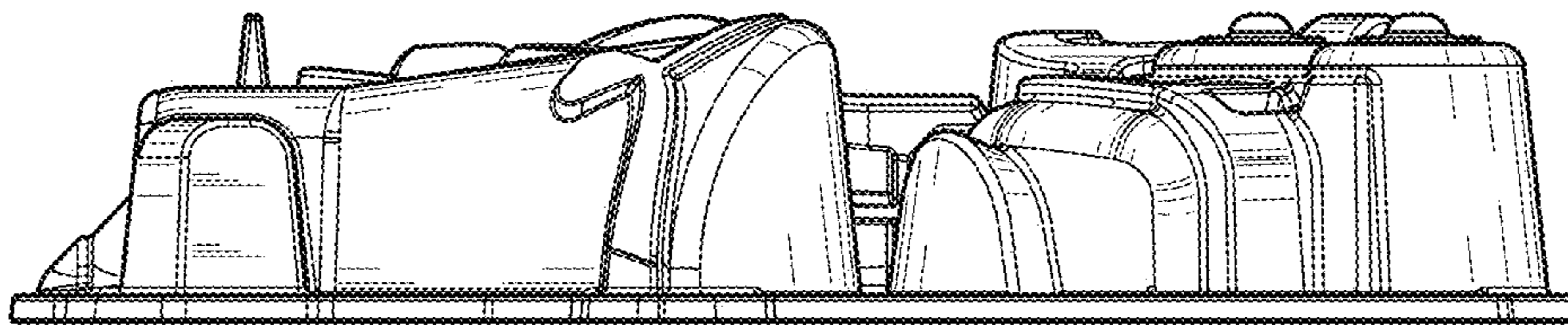


Fig. 4

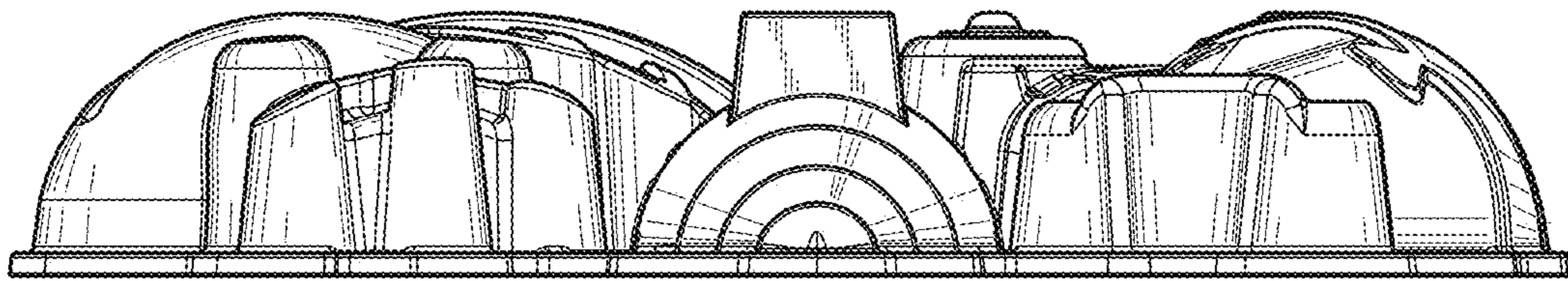


Fig. 5

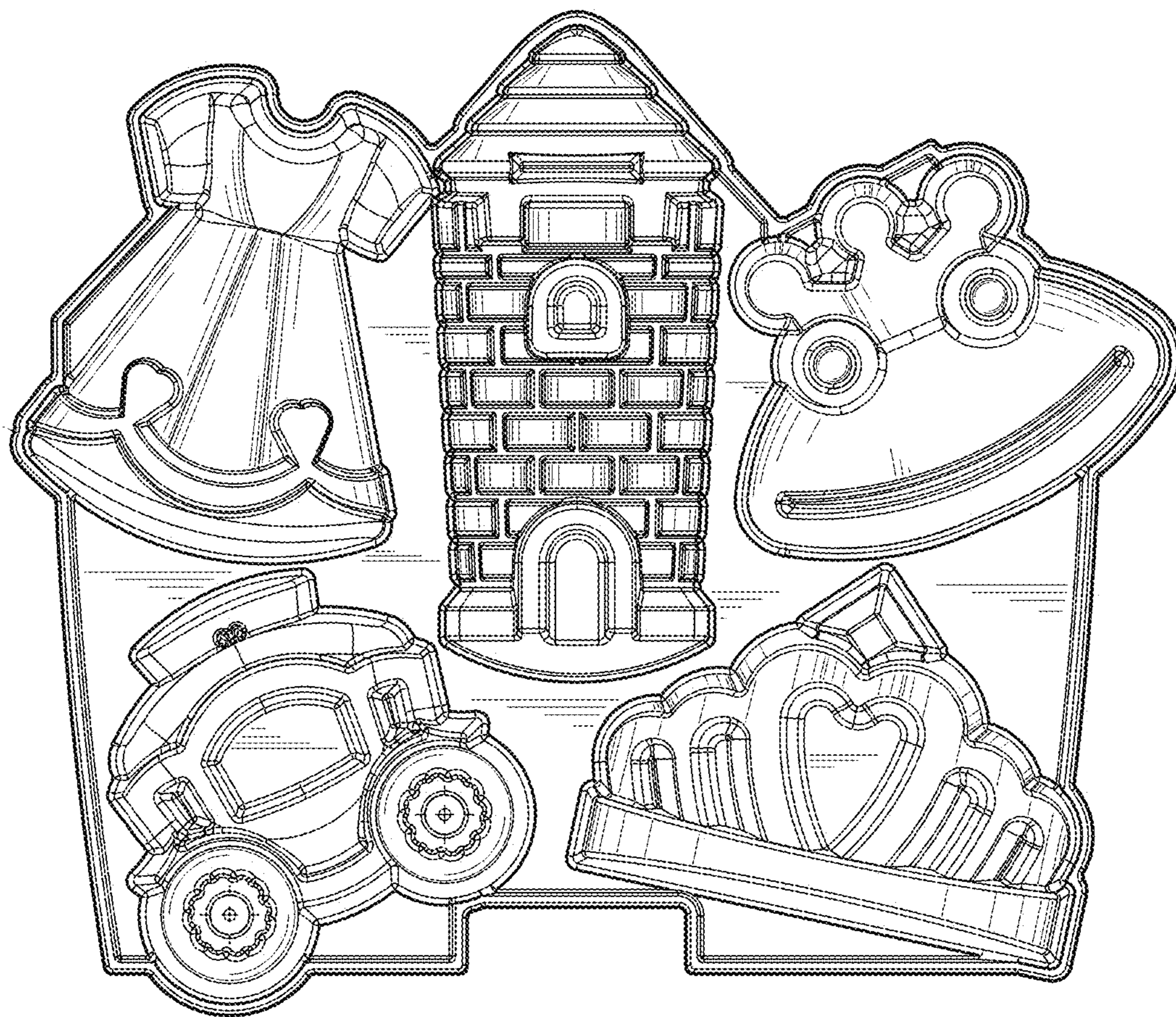


Fig. 6

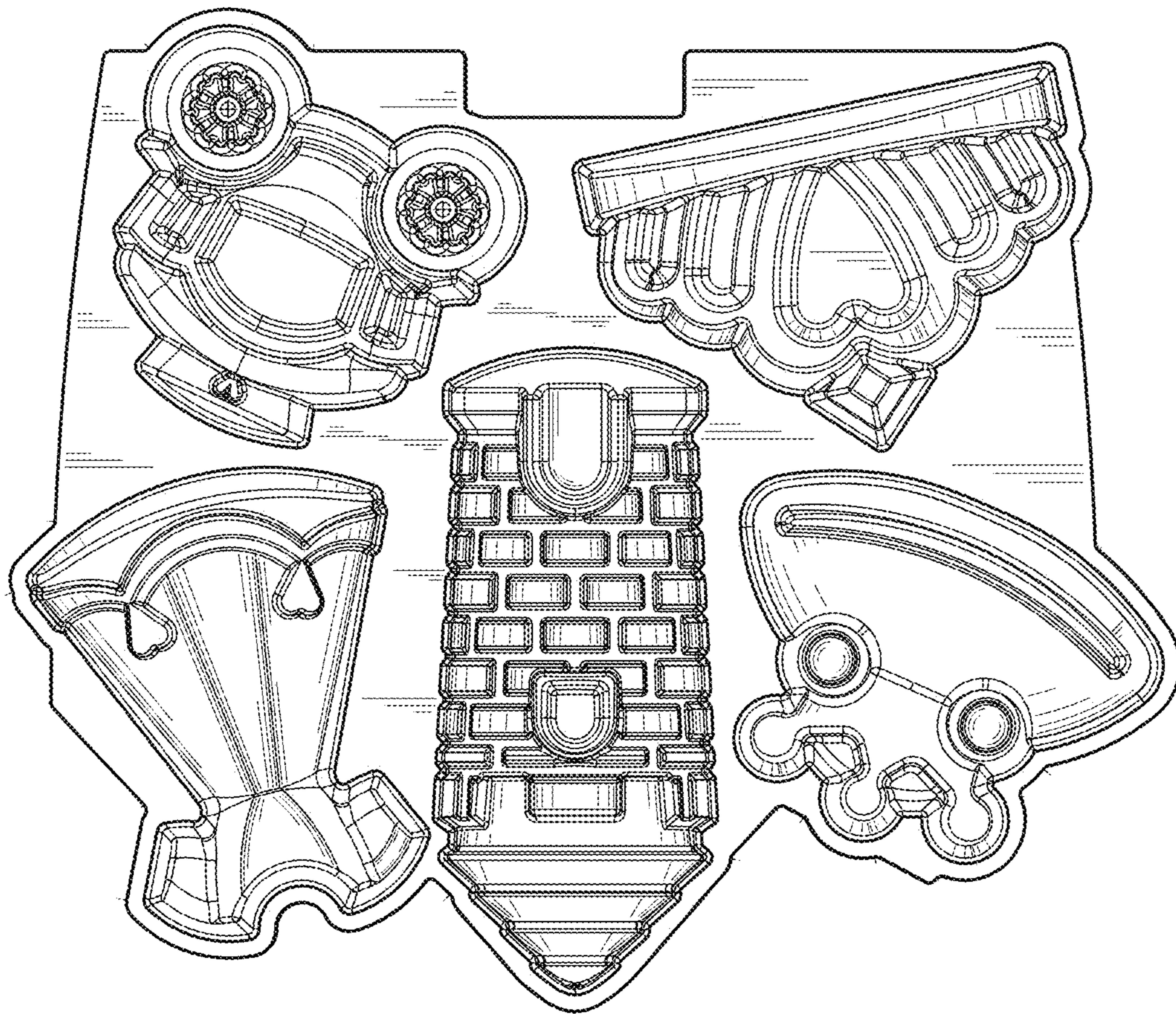


Fig. 7

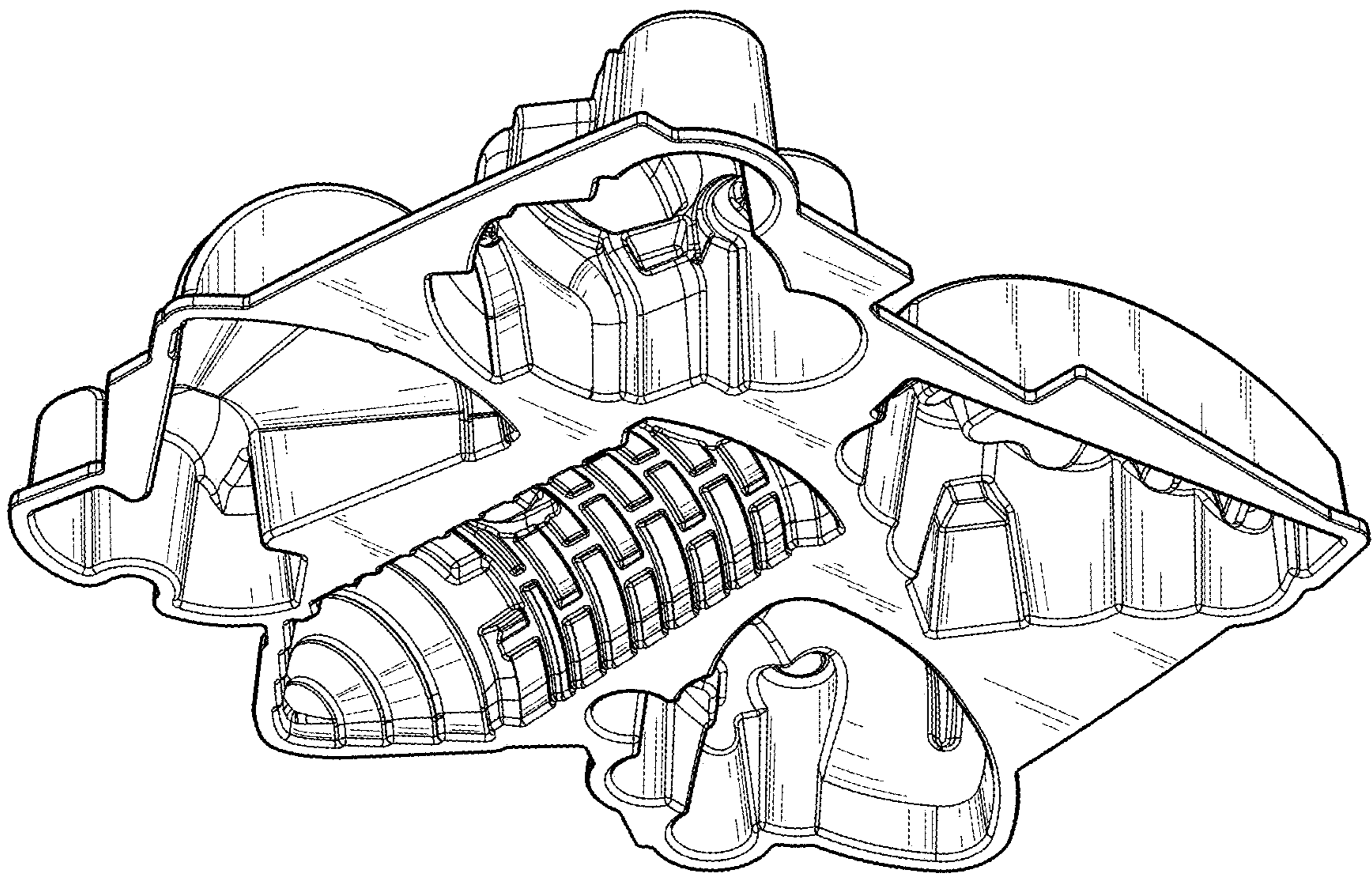


Fig. 8