



US00D883756S

(12) **United States Design Patent** (10) **Patent No.:** **US D883,756 S**
Sydes et al. (45) **Date of Patent:** **** May 12, 2020**

(54) **KNIFE**

(71) Applicant: **3Coil Limited**, London (GB)

(72) Inventors: **Jonathan Sydes**, London (GB); **Norval Bell**, London (GB); **Glenn Klecker**, Silverton, OR (US)

(**) Term: **15 Years**

(21) Appl. No.: **29/669,361**

(22) Filed: **Nov. 7, 2018**

(30) **Foreign Application Priority Data**

May 8, 2018 (GB) 6034625

(51) **LOC (12) Cl.** **07-03**

(52) **U.S. Cl.**
USPC **D7/649**

(58) **Field of Classification Search**
USPC D7/393–395, 401.2, 642–652, 693,
D7/695–696; D8/93, 97–100, 107, 300,
D8/321; D22/117–118; D24/146–147
(Continued)

(56) **References Cited**

U.S. PATENT DOCUMENTS

D101,325 S * 9/1936 Brown D24/147
2,877,553 A * 3/1959 Matwijcow A61B 17/3213
30/339

(Continued)

Primary Examiner — Ricky Pham

(74) *Attorney, Agent, or Firm* — Cook Alex Ltd.

(57) **CLAIM**

The ornamental design for a knife, as shown and described.

DESCRIPTION

FIG. 1 is a right side perspective view of a first embodiment of a knife in a first, open state showing our new design;

FIG. 2 is a left side perspective view of the first embodiment of the knife in the open state;

FIG. 3 is a right side elevation view of the first embodiment of the knife in the open state;

FIG. 4 is a left side elevation view of the first embodiment of the knife in the open state;

FIG. 5 is a top view of the first embodiment of the knife in the open state;

FIG. 6 is a bottom view of the first embodiment of the knife in the open state;

FIG. 7 is a right side perspective view of the first embodiment of the knife in a second, folded state;

FIG. 8 is a left side perspective view of the first embodiment of the knife in the folded state;

FIG. 9 is a right side elevation view of the first embodiment of the knife in the folded state;

FIG. 10 is a left side elevation view of the first embodiment of the knife in the folded state;

FIG. 11 is a top view of the first embodiment of the knife in the folded state;

FIG. 12 is a bottom view of the first embodiment of the knife in the folded state;

FIG. 13 is a right side perspective view of a second embodiment of the knife in a first, open state;

FIG. 14 is a left side perspective view of the second embodiment of the knife in the open state;

FIG. 15 is a right side elevation view of the second embodiment of the knife in the open state;

FIG. 16 is a left side elevation view of the second embodiment of the knife in the open state;

FIG. 17 is a top view of the second embodiment of the knife in the open state;

FIG. 18 is a bottom view of the second embodiment of the knife in the open state;

FIG. 19 is an enlarged front view of the second embodiment of the knife in the open state;

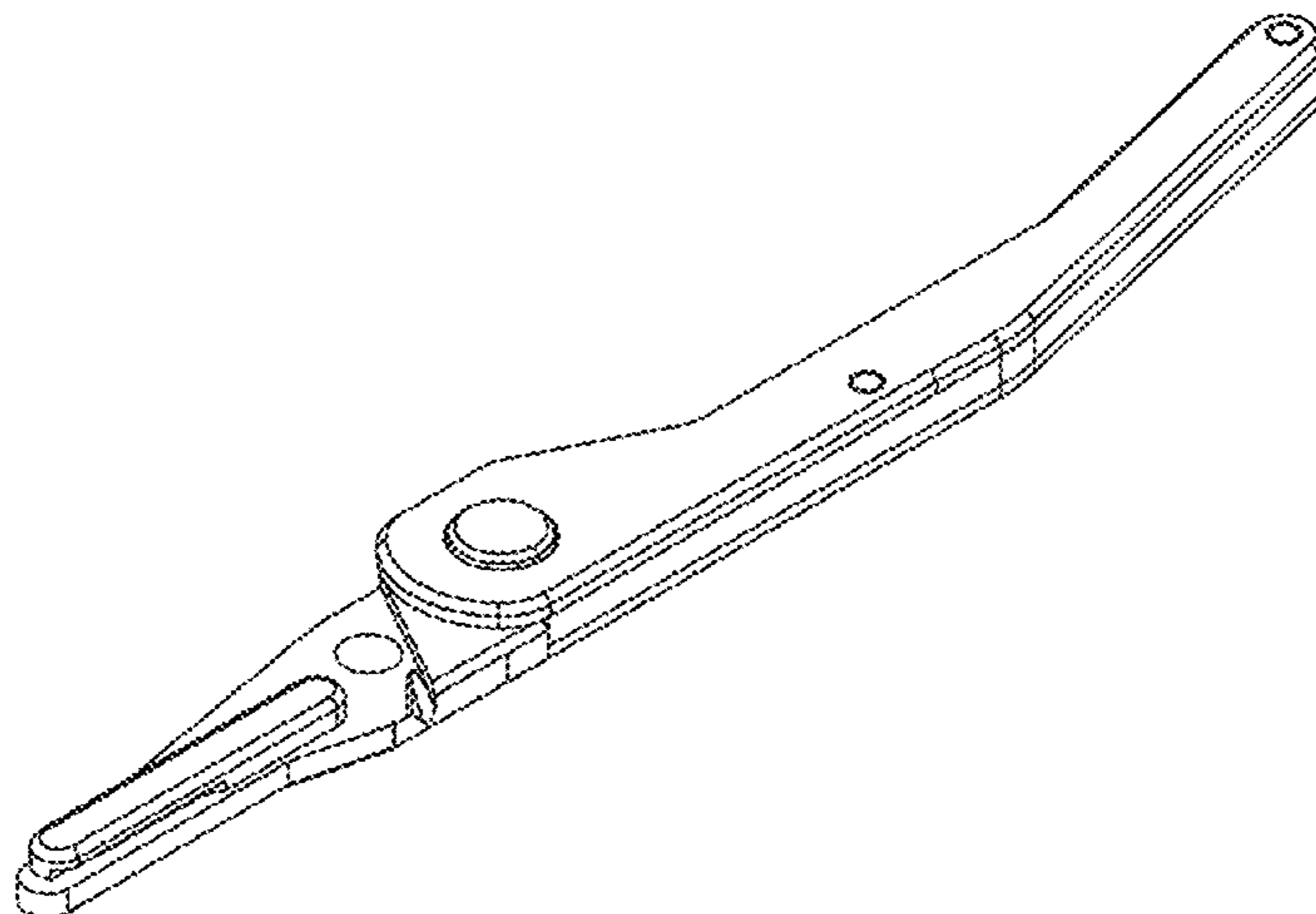
FIG. 20 is an enlarged rear view of the second embodiment of the knife in the open state;

FIG. 21 is a right side perspective view of the second embodiment of the knife in a second, folded state

FIG. 22 is a right side elevation view of the second embodiment of the knife in the folded state; and,

FIG. 23 is a left side elevation view of the second embodiment of the knife in the folded state.

(Continued)



The broken lines shown in the drawings form no part of the claimed design.

(56)

References Cited

1 Claim, 11 Drawing Sheets

U.S. PATENT DOCUMENTS

(58) **Field of Classification Search**

CPC A01B 1/20; A01B 1/22; A22C 25/006;
A47G 21/06; A47G 21/065; A61B
17/3211; A61B 17/3213; B21D 53/64;
B25G 3/36; B26B 1/00; B26B 1/08;
B26B 1/10; B26B 3/00; B26B 3/02;
B26B 3/03; B26B 3/04; B26B 3/06;
B26B 5/00; B26B 5/001; B26B 5/007;
B26B 7/00; B26B 7/005; B26B 9/00;
B26B 9/02; B26B 11/00; B26B 11/006;
B26B 17/00; B26B 17/006; B26B 29/02

See application file for complete search history.

D242,179	S	*	11/1976	Sugiyama	D24/147
D327,125	S	*	6/1992	Iten	D24/146
5,941,892	A	*	8/1999	Cohn	A61B 17/3213 30/151
6,416,524	B1	*	7/2002	Critz	A61B 17/3213 30/315
D466,214	S	*	11/2002	Otsuka	A61B 17/3211 D24/146
D568,475	S	*	5/2008	Sandel	D24/147
D657,465	S	*	4/2012	DaSilva	D24/147
8,850,662	B2	*	10/2014	Gitman	A61B 17/3213 16/430
D739,020	S	*	9/2015	Kumar	D24/147
D800,905	S	*	10/2017	Austria	D24/146
2009/0192538	A1	*	7/2009	Sandel	A61B 17/3213 606/167

* cited by examiner

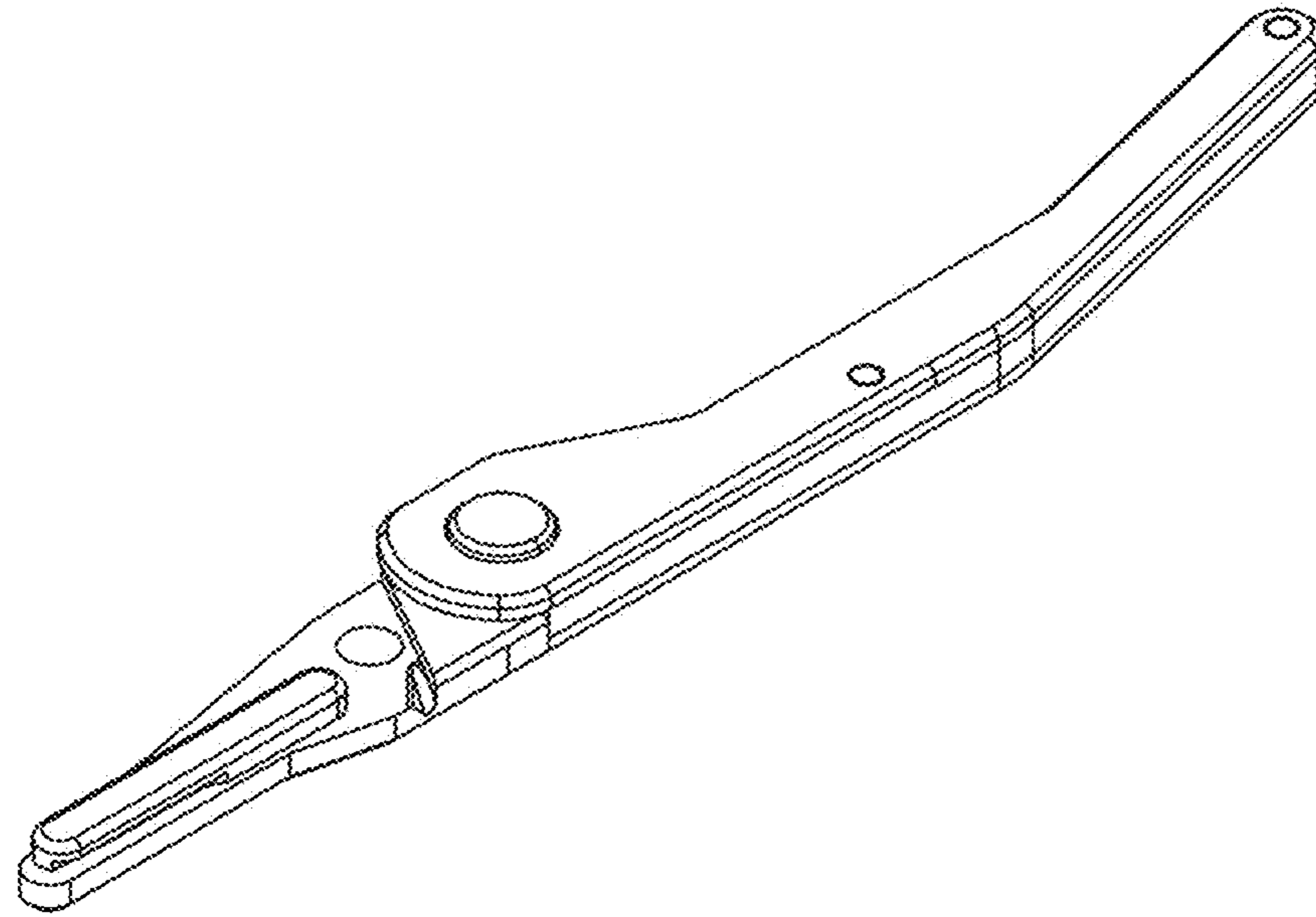


FIG. 1

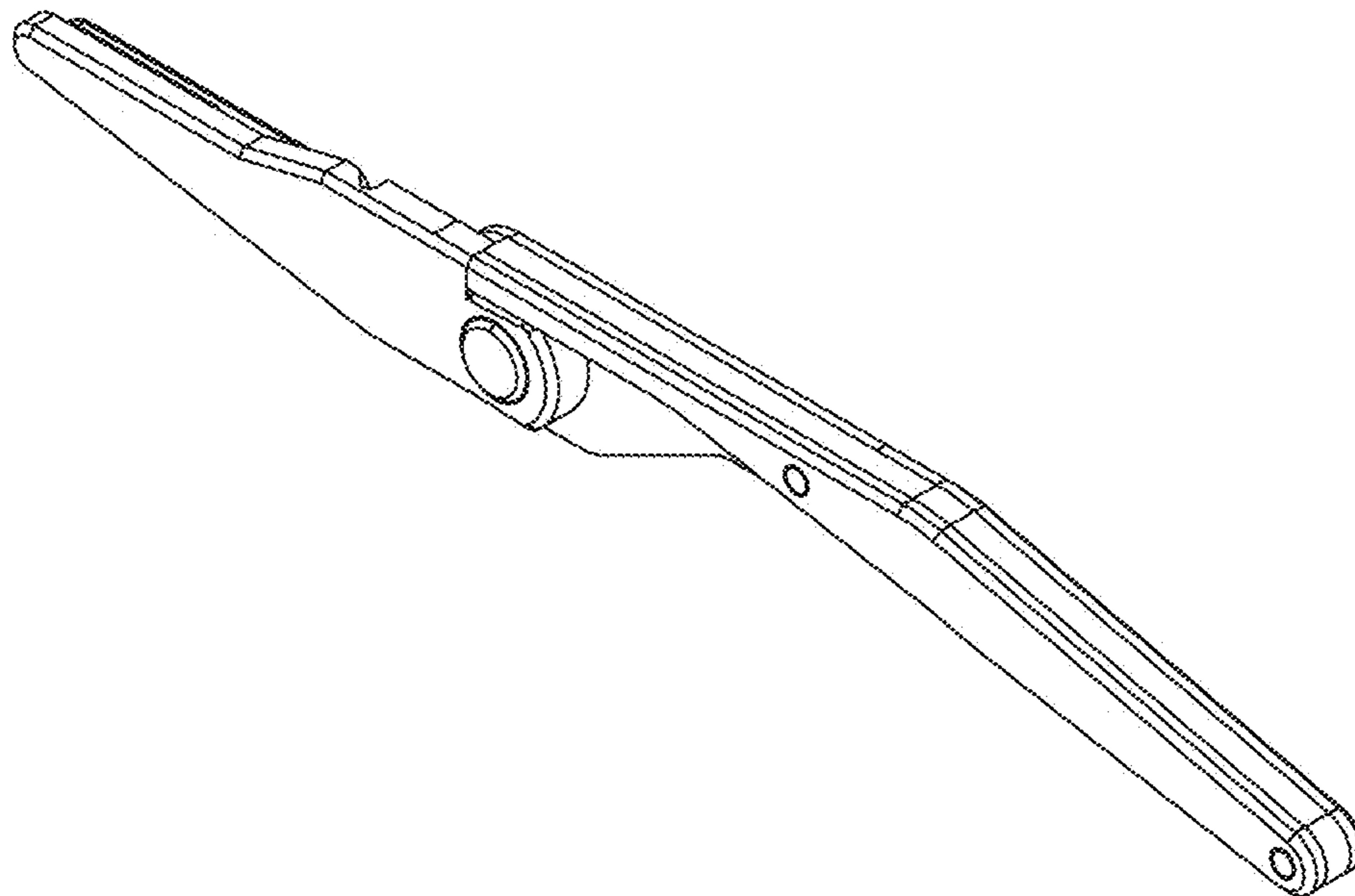


FIG. 2

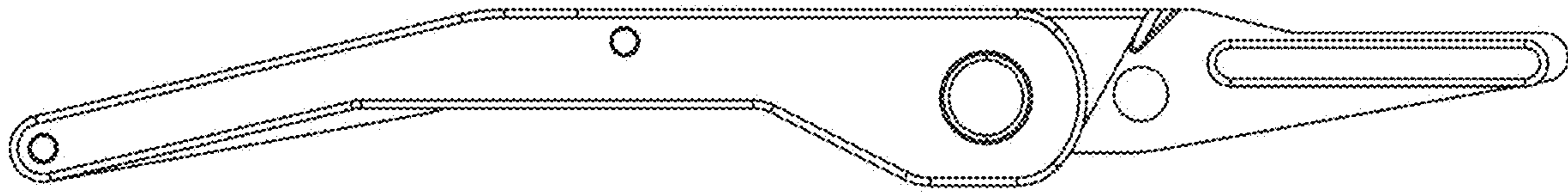


FIG. 3

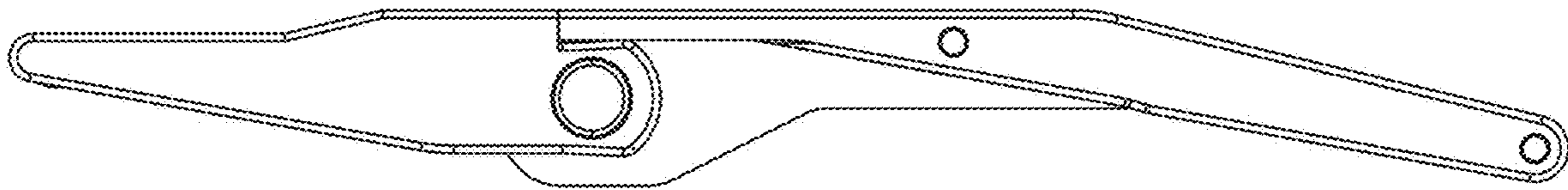


FIG. 4

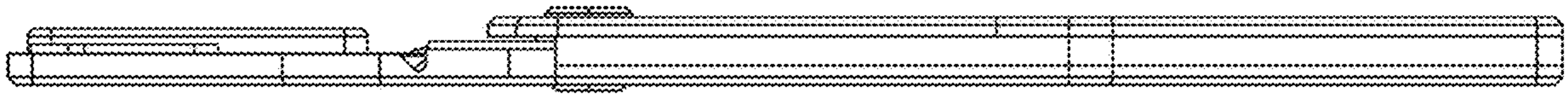


FIG. 5

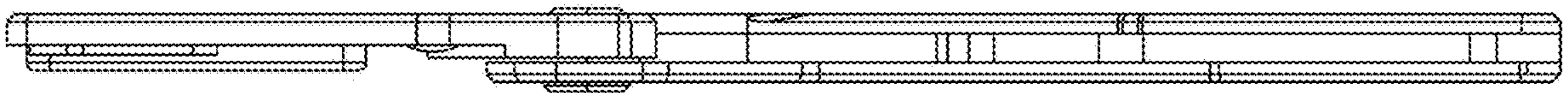


FIG. 6

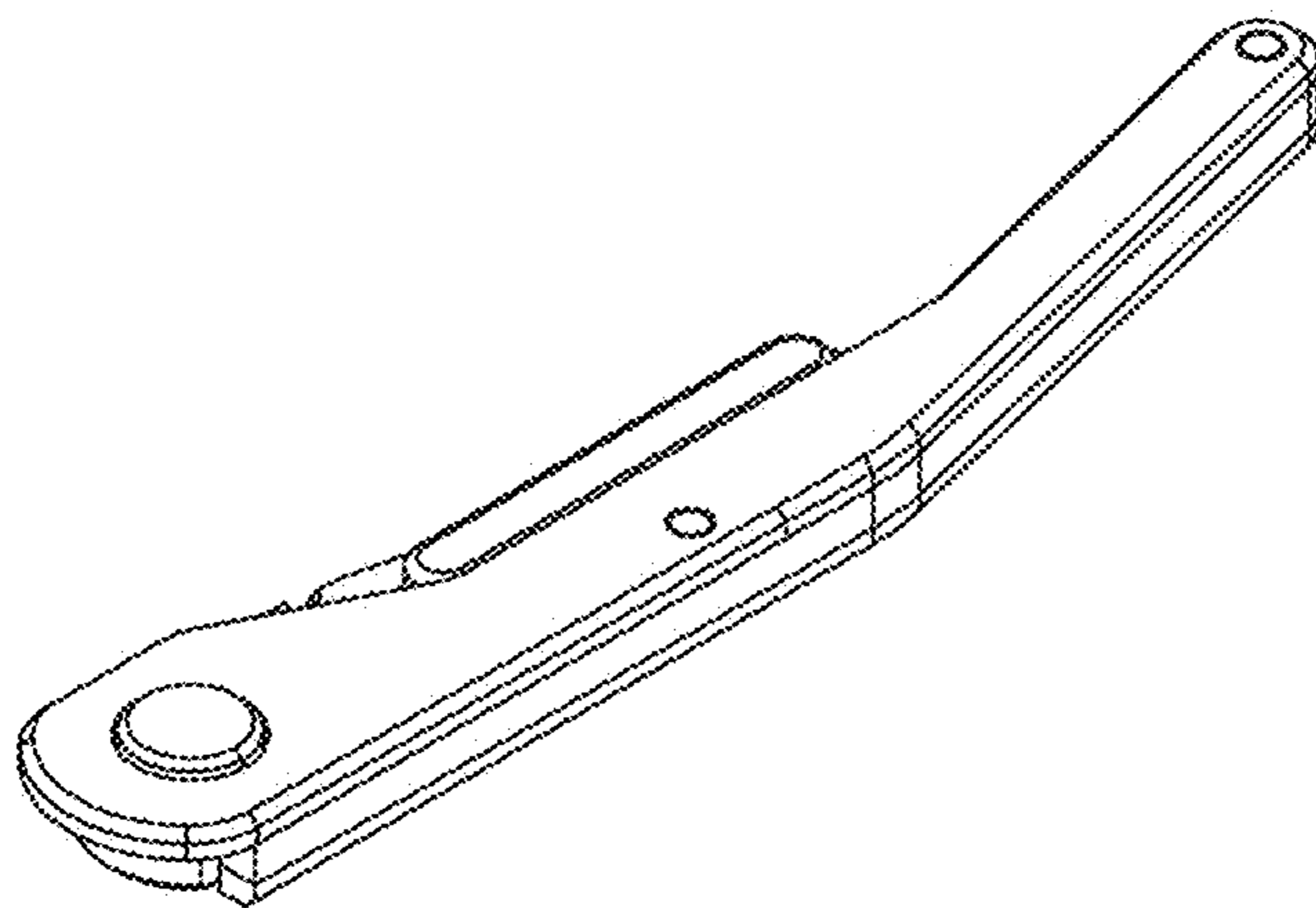


FIG. 7

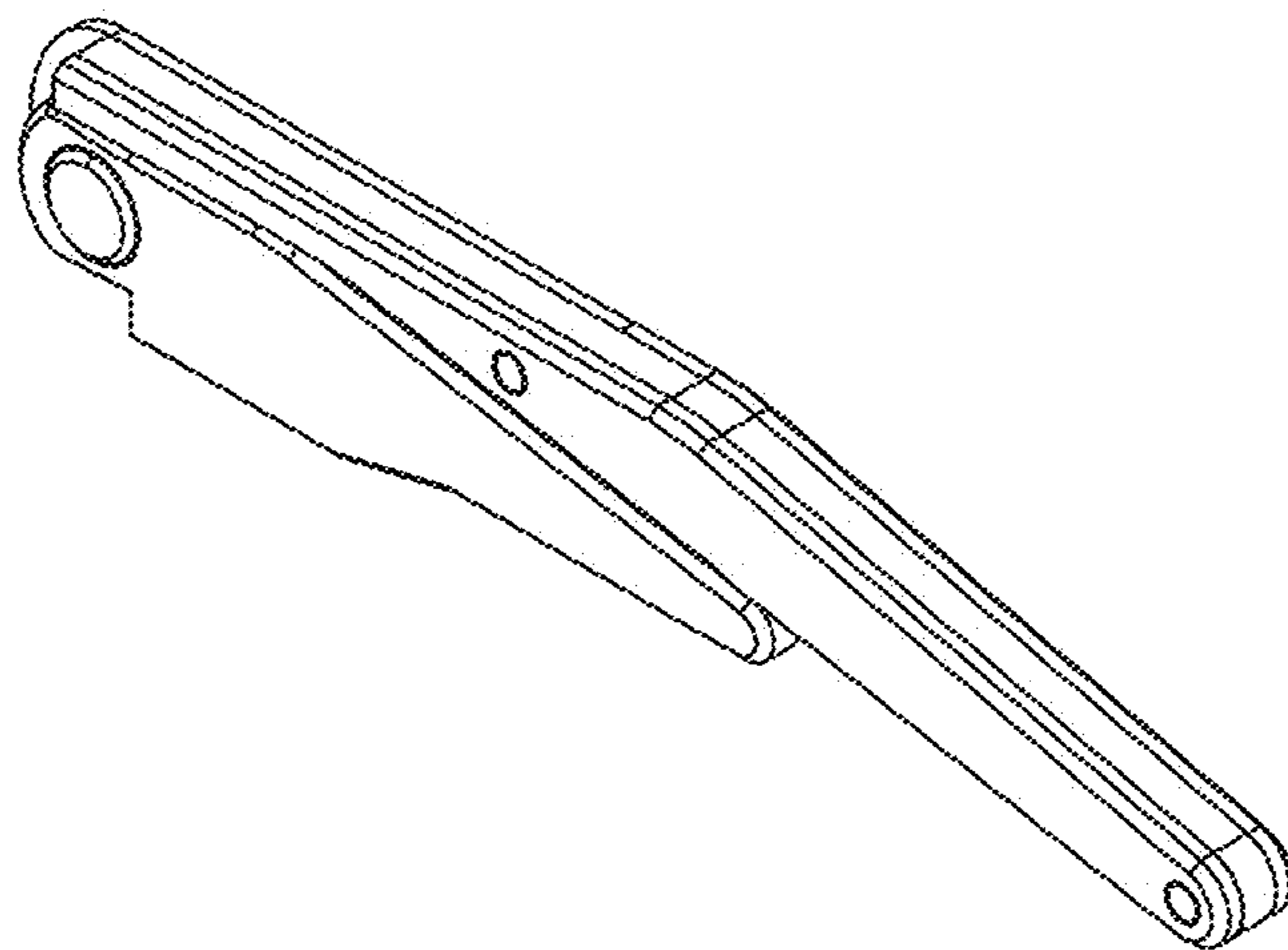


FIG. 8

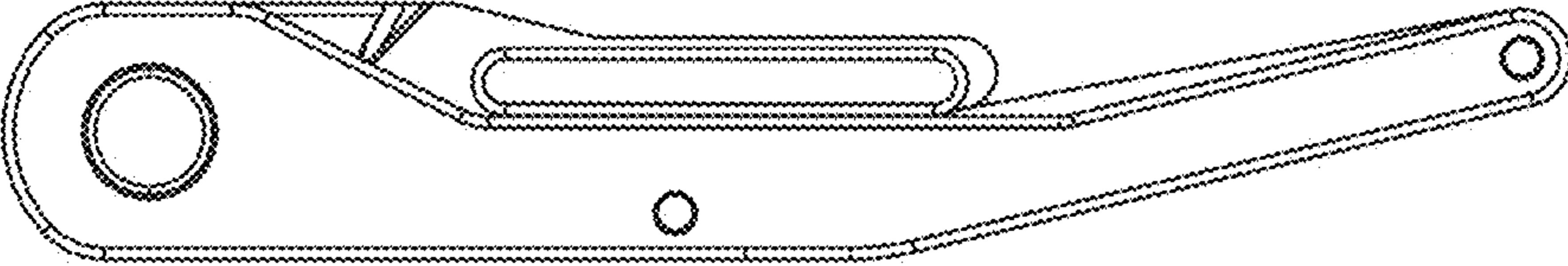


FIG. 9

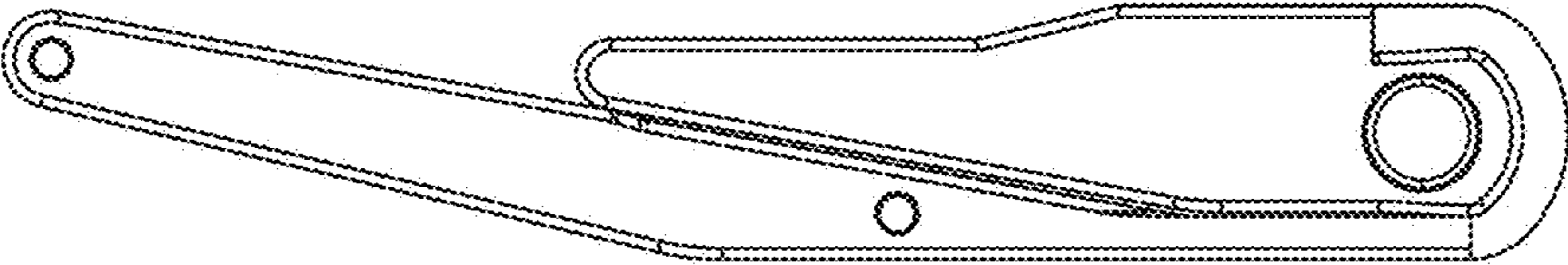


FIG. 10

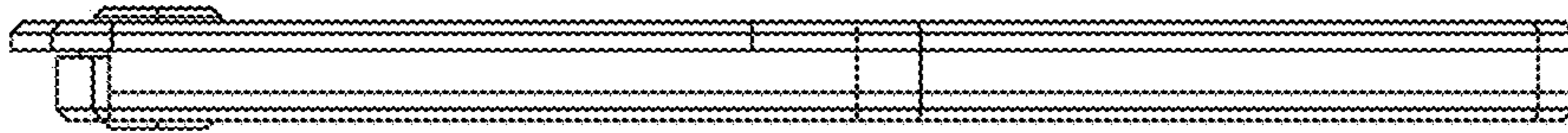


FIG. 11

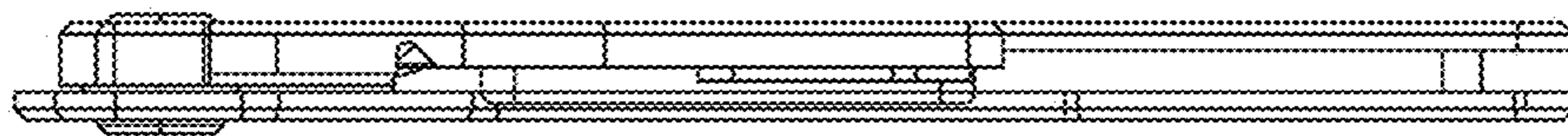


FIG. 12

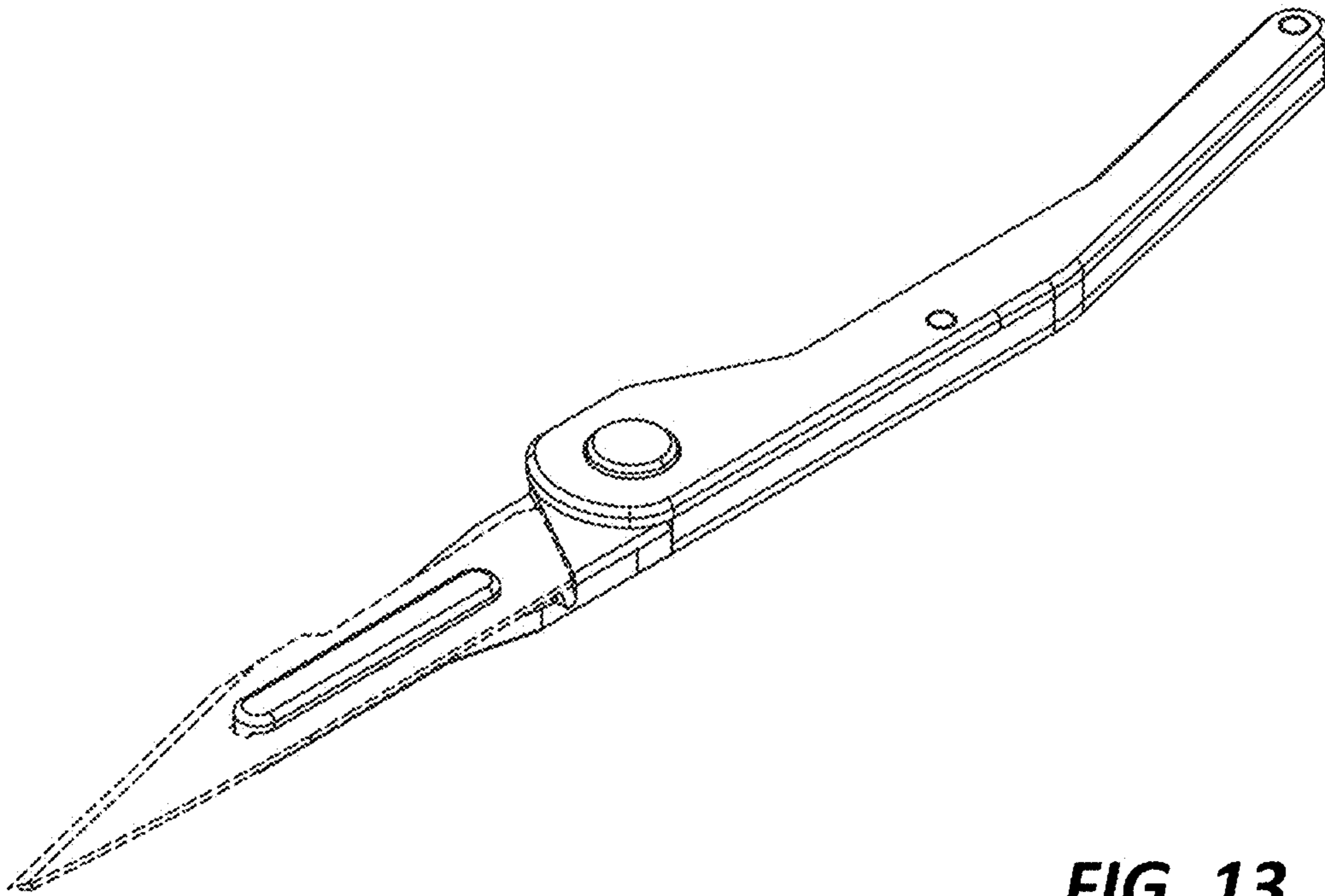


FIG. 13

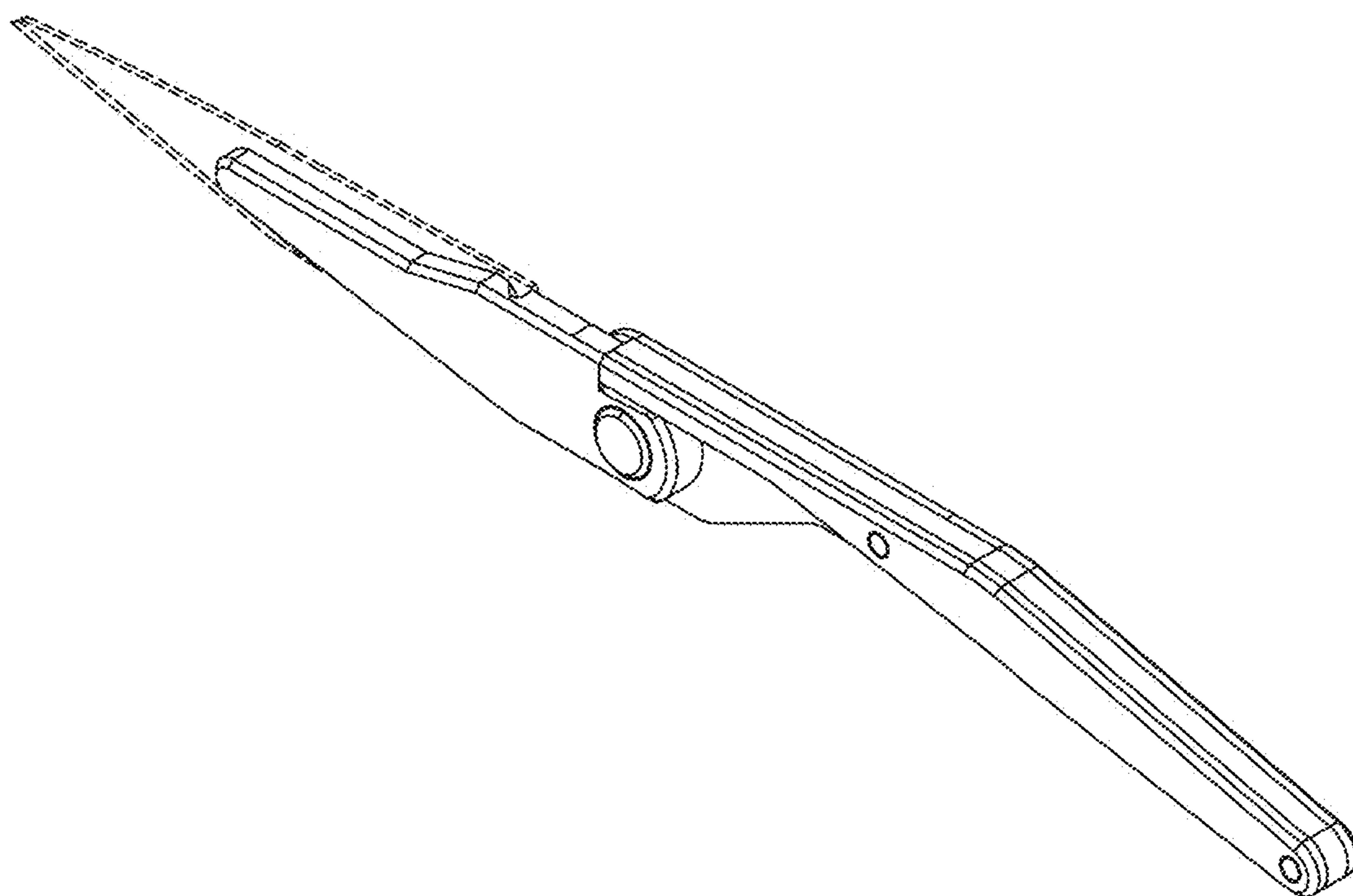


FIG. 14

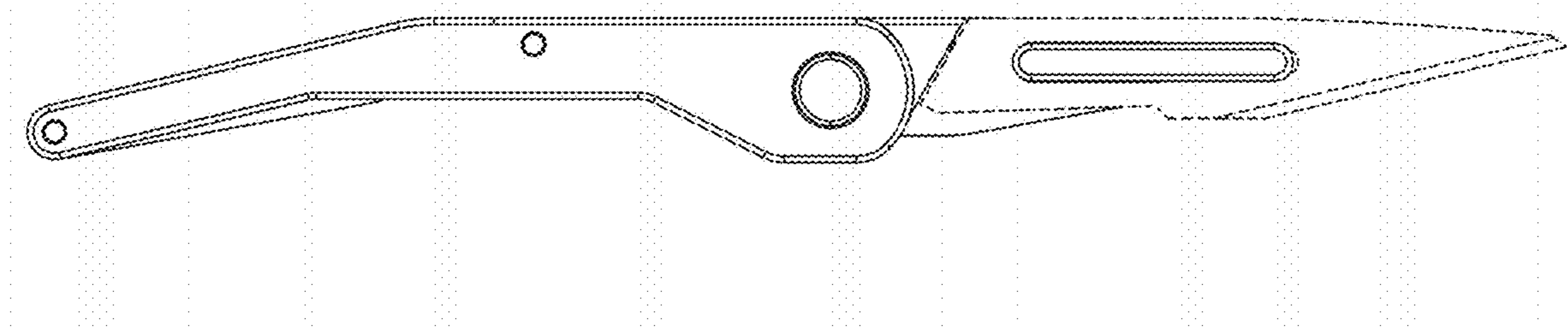


FIG. 15

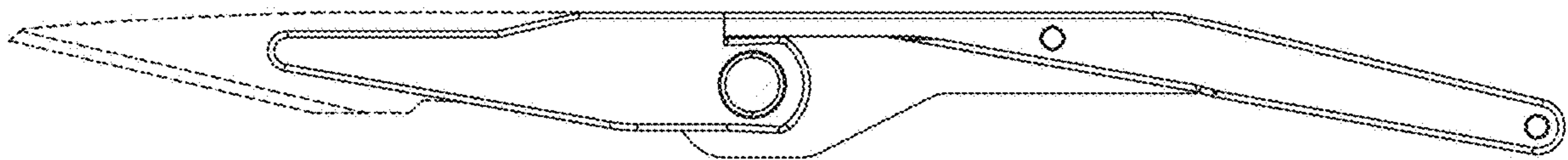


FIG. 16

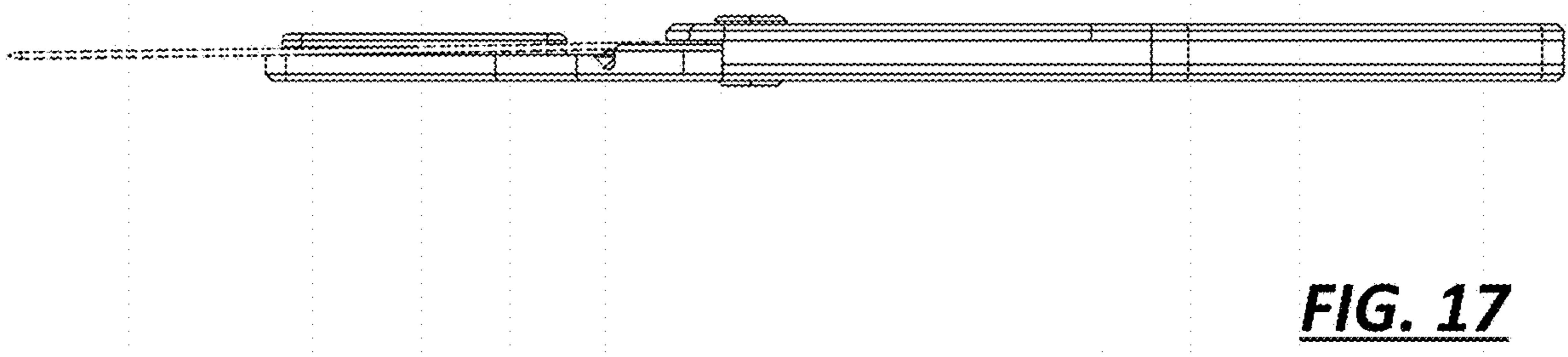


FIG. 17



FIG. 18

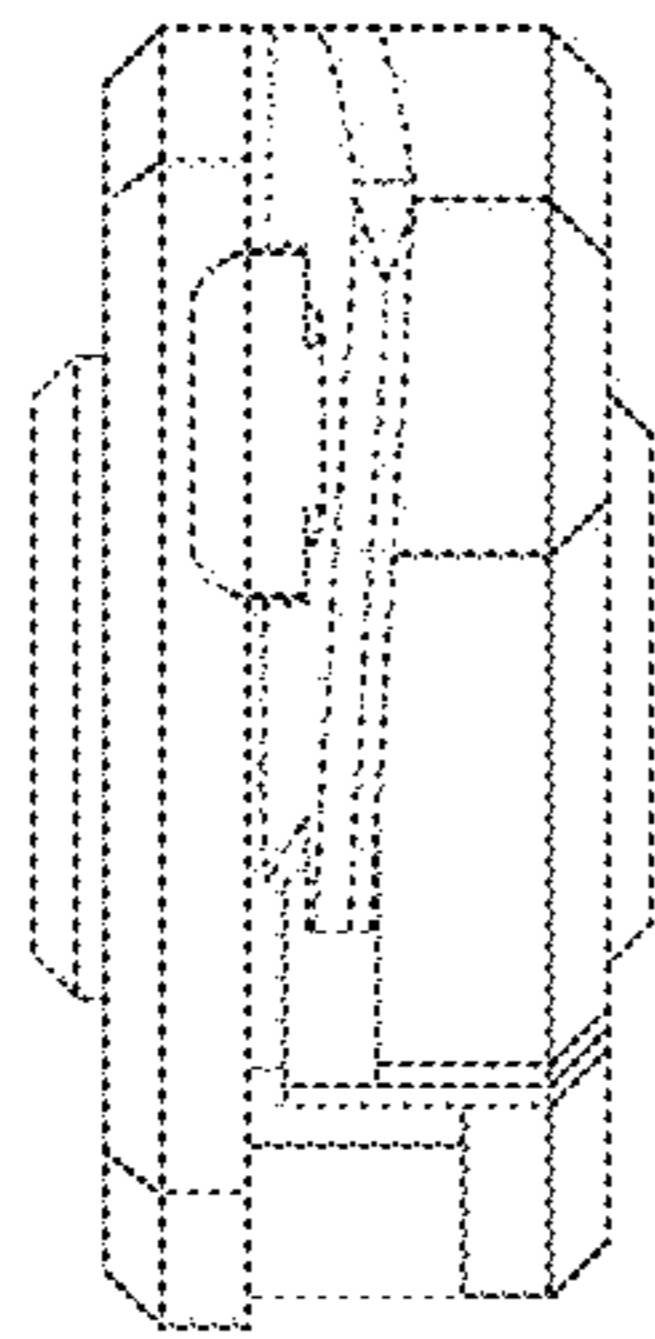


FIG. 19

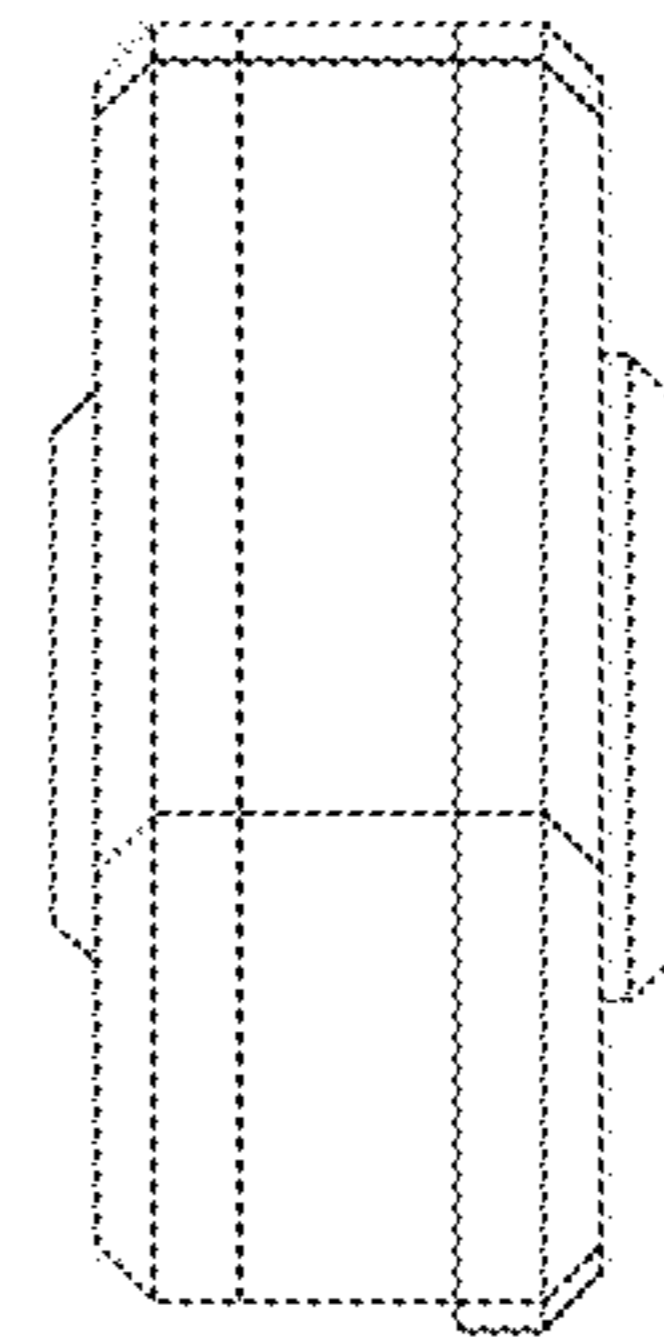


FIG. 20

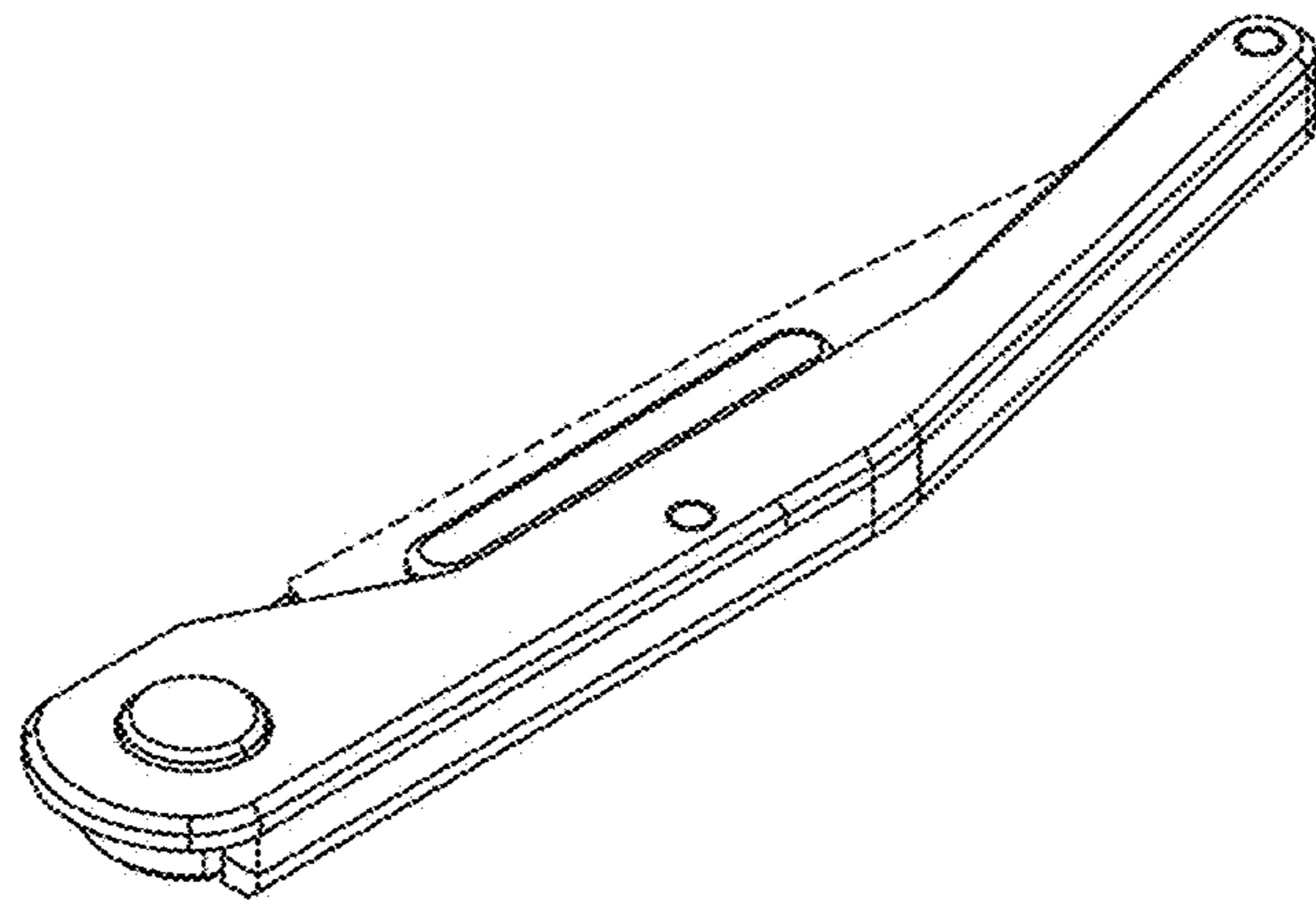


FIG. 21

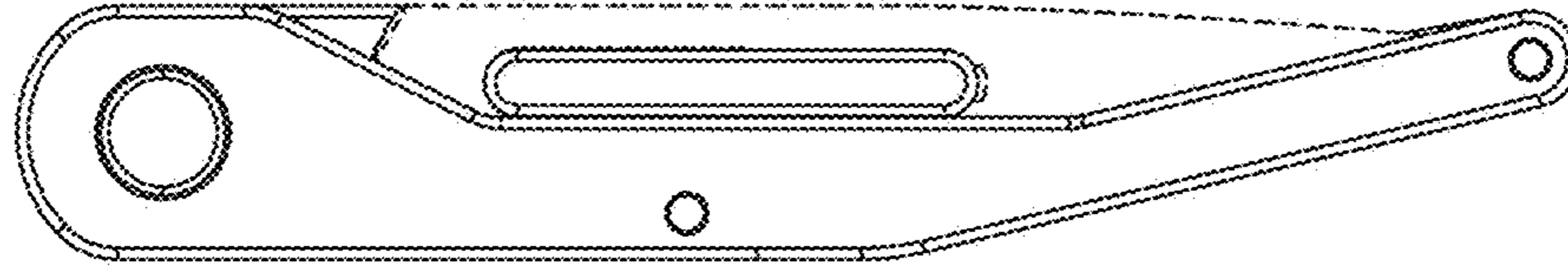


FIG. 22

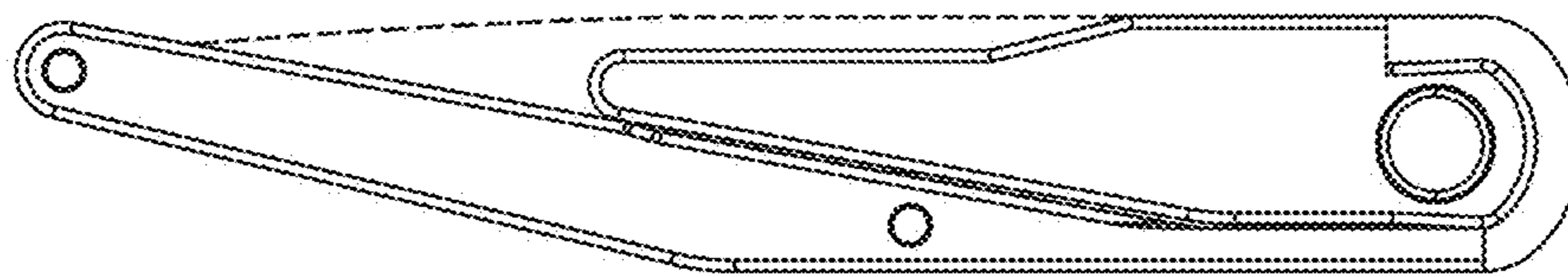


FIG. 23