



US00D883752S

(12) **United States Design Patent** (10) **Patent No.:** **US D883,752 S**
Carey et al. (45) **Date of Patent:** **** May 12, 2020**

(54) **COOLER**

(71) Applicant: **THE METAL WARE CORPORATION**, Two Rivers, WI (US)

(72) Inventors: **Richard Carey**, Manitowoc, WI (US); **Ross Niemi**, Two Rivers, WI (US)

(73) Assignee: **THE METAL WARE CORPORATION**, Two Rivers, WI (US)

(**) Term: **15 Years**

(21) Appl. No.: **29/670,188**

(22) Filed: **Nov. 14, 2018**

Related U.S. Application Data

(62) Division of application No. 29/608,075, filed on Jun. 19, 2017, now Pat. No. Des. 836,995.

(51) **LOC (12) Cl.** **07-01**

(52) **U.S. Cl.**
USPC **D7/605**

(58) **Field of Classification Search**
USPC D7/605–608, 629, 630, 709, 710;
D3/272–274

CPC B65D 81/3888; B65D 81/38; B65D 81/3813; B65D 81/3816; B65D 81/3818; B65D 81/3823; B65D 81/3858; B65D 81/3889; A45C 11/20; A45C 5/14; A45C 5/03; A45C 9/00; A45F 3/46; F25D 3/02; F25D 3/04; F25D 3/06; F25D 3/08; F25D 3/11; F25D 3/14; F25D 2331/804; F25D 31/005; F25D 3/12; A47B 77/08; A47J 41/022; A47J 41/00; A47J 45/06; A47G 19/2288; B26B 3/003; F25B 19/00

See application file for complete search history.

(56) **References Cited**

U.S. PATENT DOCUMENTS

1,483,953 A 2/1924 Rainey
D70,542 S 7/1926 Davis et al.

(Continued)

Primary Examiner — Terry A Wallace

(74) *Attorney, Agent, or Firm* — Seager, Tufte & Wickhem LLP

(57) **CLAIM**

The ornamental design for a cooler, as shown and described.

DESCRIPTION

FIG. 1 is a top perspective view of an embodiment of a cooler;

FIG. 2 is a front side view of the cooler of FIG. 1;

FIG. 3 is a back side view of the cooler of FIG. 1;

FIG. 4 is a right side view of the cooler of FIG. 1;

FIG. 5 is a left side view of the cooler of FIG. 1;

FIG. 6 is a top side view of the cooler of FIG. 1;

FIG. 7 is a bottom side view of the cooler of FIG. 1;

FIG. 8 is a top perspective view of the cooler of FIG. 1 with latches in a released position;

FIG. 9 is a front side view of the cooler of FIG. 1 without latches;

FIG. 10 is a top perspective view of a further embodiment of a cooler;

FIG. 11 is a front side view of the cooler of FIG. 10;

FIG. 12 is a back side view of the cooler of FIG. 10;

FIG. 13 is a right side view of the cooler of FIG. 10;

FIG. 14 is a left side view of the cooler of FIG. 10;

FIG. 15 is a top side view of the cooler of FIG. 10;

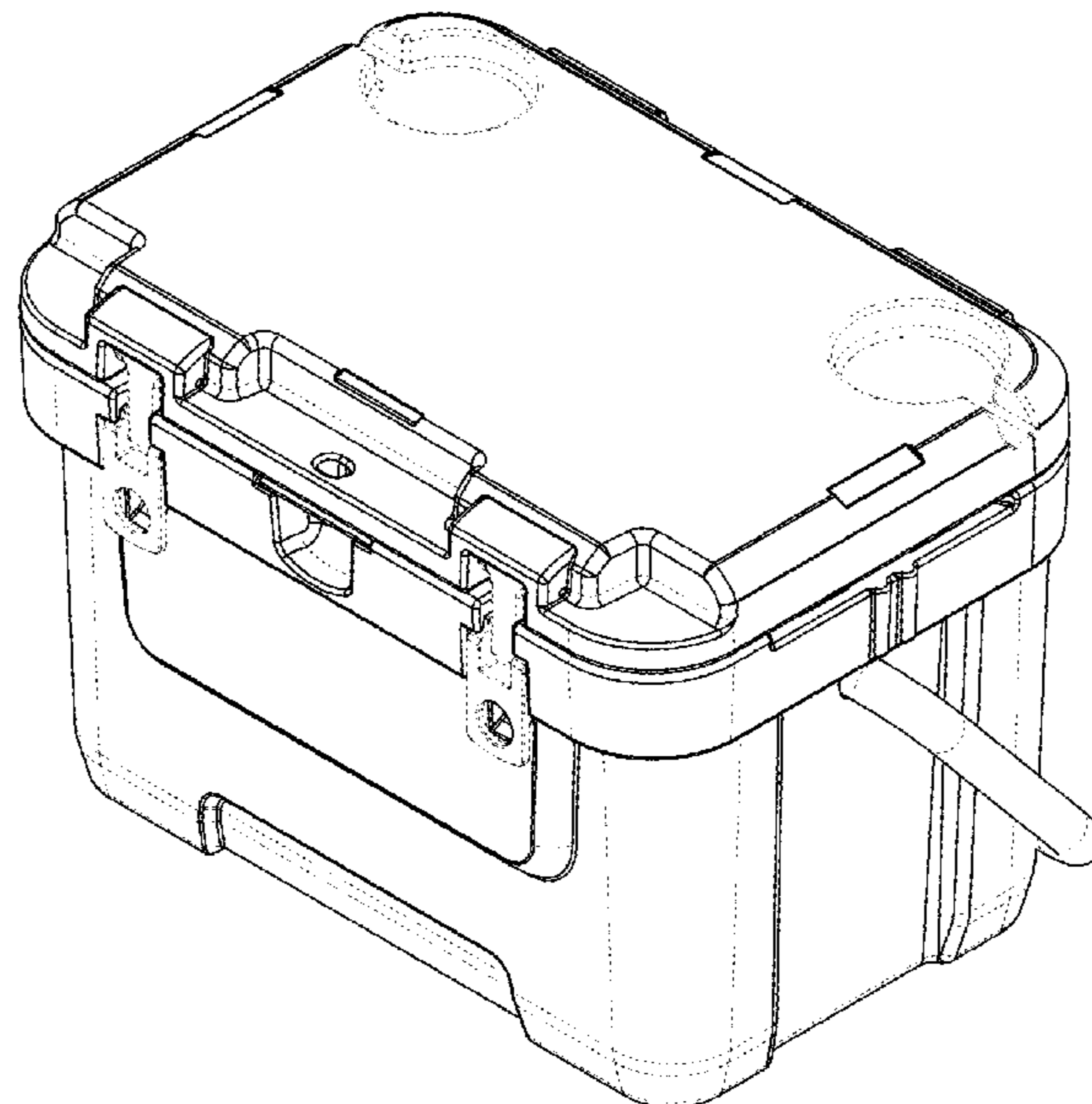
FIG. 16 is a bottom side view of the cooler of FIG. 10;

FIG. 17 is a top perspective view of the cooler of FIG. 10 with latches in a released position; and,

FIG. 18 is a front side view of the cooler of FIG. 10 without latches.

The broken lines in the drawings, if any, illustrate portions in the article that form no part of the claim.

1 Claim, 18 Drawing Sheets



(56)

References Cited

U.S. PATENT DOCUMENTS

| | | | | | |
|-------------------|---------|---------------------|---------------------------|--|--|
| 1,699,313 A | 1/1929 | Schlaich | | | |
| 2,960,216 A | 11/1960 | Brady | | | |
| D210,795 S | 4/1968 | Birger et al. | | | |
| 3,782,765 A | 1/1974 | Wallyn | | | |
| D232,798 S | 9/1974 | Roche | | | |
| D237,135 S | 10/1975 | Wiant et al. | | | |
| D257,934 S | 1/1981 | Buss | | | |
| D259,232 S | 5/1981 | Tarozzi | | | |
| D266,822 S | 11/1982 | Seager | | | |
| D270,604 S | 9/1983 | Zauft | | | |
| D281,695 S * | 12/1985 | Ryan, Jr. | D7/605 | | |
| D283,480 S | 4/1986 | Bailey | | | |
| D283,966 S | 5/1986 | Carlson | | | |
| D291,858 S | 9/1987 | Baker et al. | | | |
| 4,702,504 A | 10/1987 | Brothers | | | |
| D305,397 S | 1/1990 | Balius | | | |
| D307,998 S | 5/1990 | Costello et al. | | | |
| D322,198 S | 12/1991 | Dringenburg | | | |
| D325,323 S | 4/1992 | Kahl | | | |
| D325,324 S | 4/1992 | Kahl | | | |
| D325,853 S | 5/1992 | Kahl | | | |
| D328,221 S | 7/1992 | Piccarillo | | | |
| D328,689 S | 8/1992 | Riskowski | | | |
| D330,329 S | 10/1992 | Brightbill | | | |
| D333,775 S | 3/1993 | Krape | | | |
| D334,868 S | 4/1993 | Lau Woon | | | |
| D337,232 S * | 7/1993 | Kahl | D7/605 | | |
| D340,167 S | 10/1993 | Kahl | | | |
| D340,620 S | 10/1993 | Peters | | | |
| D349,007 S | 7/1994 | Costello | | | |
| D351,318 S | 10/1994 | Wedi | | | |
| D352,208 S | 11/1994 | Brookshire | | | |
| D353,304 S | 12/1994 | Friedrich | | | |
| D354,419 S | 1/1995 | Kahl et al. | | | |
| D366,599 S | 1/1996 | Brown et al. | | | |
| D369,722 S | 5/1996 | Lopez, Jr. et al. | | | |
| D370,159 S | 5/1996 | Fenton et al. | | | |
| D376,068 S | 12/1996 | Coy | | | |
| 5,607,195 A | 3/1997 | Antonucci | | | |
| D380,369 S | 7/1997 | Antonucci | | | |
| D386,649 S | 11/1997 | Arnfelt | | | |
| 5,683,097 A | 11/1997 | Fenton et al. | | | |
| 5,735,428 A | 4/1998 | Chern | | | |
| 5,738,238 A | 4/1998 | Yang | | | |
| 5,742,990 A | 4/1998 | Antonucci | | | |
| D394,550 S | 5/1998 | Tanji | | | |
| D396,779 S | 8/1998 | Moffett, III et al. | | | |
| D397,585 S | 9/1998 | Rausch et al. | | | |
| D398,816 S | 9/1998 | Koutsouflakis | | | |
| D407,609 S | 4/1999 | Rausch | | | |
| D415,393 S | 10/1999 | Kei | | | |
| D415,658 S | 10/1999 | Frehse | | | |
| D421,552 S | 3/2000 | Frehse | | | |
| D423,294 S | 4/2000 | Klein et al. | | | |
| D429,606 S | 8/2000 | Israel et al. | | | |
| D437,736 S | 2/2001 | Moffett, III et al. | | | |
| D439,406 S | 3/2001 | Zimmerman | | | |
| D439,913 S | 4/2001 | Jobst | | | |
| D454,292 S | 3/2002 | Plummer et al. | | | |
| 6,398,272 B1 | 6/2002 | Plummer et al. | | | |
| D467,470 S | 12/2002 | Cantor et al. | | | |
| D467,770 S | 12/2002 | Blalock | | | |
| D475,248 S | 6/2003 | Cantor et al. | | | |
| D486,457 S | 2/2004 | Leba et al. | | | |
| D494,021 S * | 8/2004 | Huthmaker | D7/605 | | |
| D511,247 S | 11/2005 | Tsuchiya | | | |
| D511,624 S | 11/2005 | Rosine et al. | | | |
| D521,810 S | 5/2006 | Estes | | | |
| D528,368 S * | 9/2006 | Maldonado | D7/605 | | |
| D552,426 S | 10/2007 | Jones et al. | | | |
| D560,102 S | 1/2008 | Sumter | | | |
| D563,731 S | 3/2008 | Thurston | | | |
| D566,479 S * | 4/2008 | Kabalin | D3/273 | | |
| D575,059 S | 8/2008 | Cappiello et al. | | | |
| D587,972 S | 3/2009 | Dorisca et al. | | | |
| 7,533,782 B2 | 5/2009 | Parker et al. | | | |
| 7,540,364 B2 | 6/2009 | Sanderson | | | |
| D604,994 S | 12/2009 | Greenlees | | | |
| D613,109 S | 4/2010 | Sanchez et al. | | | |
| D613,560 S | 4/2010 | Robichaud et al. | | | |
| 7,722,204 B1 | 5/2010 | Sandberg | | | |
| D634,982 S | 3/2011 | Melchert et al. | | | |
| D637,459 S | 5/2011 | Giese | | | |
| D640,102 S | 6/2011 | Hawkins | | | |
| D645,248 S | 9/2011 | Osiecki et al. | | | |
| D646,528 S | 10/2011 | Stallman et al. | | | |
| D651,860 S | 1/2012 | Nie | | | |
| D660,885 S | 5/2012 | Crawford | | | |
| 8,210,702 B1 | 7/2012 | Sandberg | | | |
| D694,070 S | 11/2013 | Torres | | | |
| D712,720 S | 9/2014 | Seiders | | | |
| D712,721 S | 9/2014 | Seiders | | | |
| D712,722 S | 9/2014 | Seiders | | | |
| D712,723 S | 9/2014 | Seiders | | | |
| D714,125 S | 9/2014 | Seiders | | | |
| 8,887,515 B2 * | 11/2014 | Patstone | F25D 3/08 62/457.2 | | |
| 8,910,819 B2 | 12/2014 | Seiders | | | |
| 9,187,232 B2 | 11/2015 | Seiders | | | |
| D747,950 S | 1/2016 | Jacobsen et al. | | | |
| D747,951 S | 1/2016 | Jacobsen et al. | | | |
| D748,452 S | 2/2016 | Jacobsen et al. | | | |
| D750,953 S | 3/2016 | Jacobsen et al. | | | |
| 2008/0025544 A1 | 1/2008 | Maldonado | | | |
| 2008/0110892 A1 | 5/2008 | House | | | |
| 2009/0139245 A1 | 6/2009 | Blackway et al. | | | |
| 2011/0203297 A1 | 8/2011 | Oberweis | | | |
| 2012/0132657 A1 * | 5/2012 | Seiders | B65D 81/3816 220/592.2 | | |
| 2014/0252010 A1 | 9/2014 | Miller | | | |

* cited by examiner

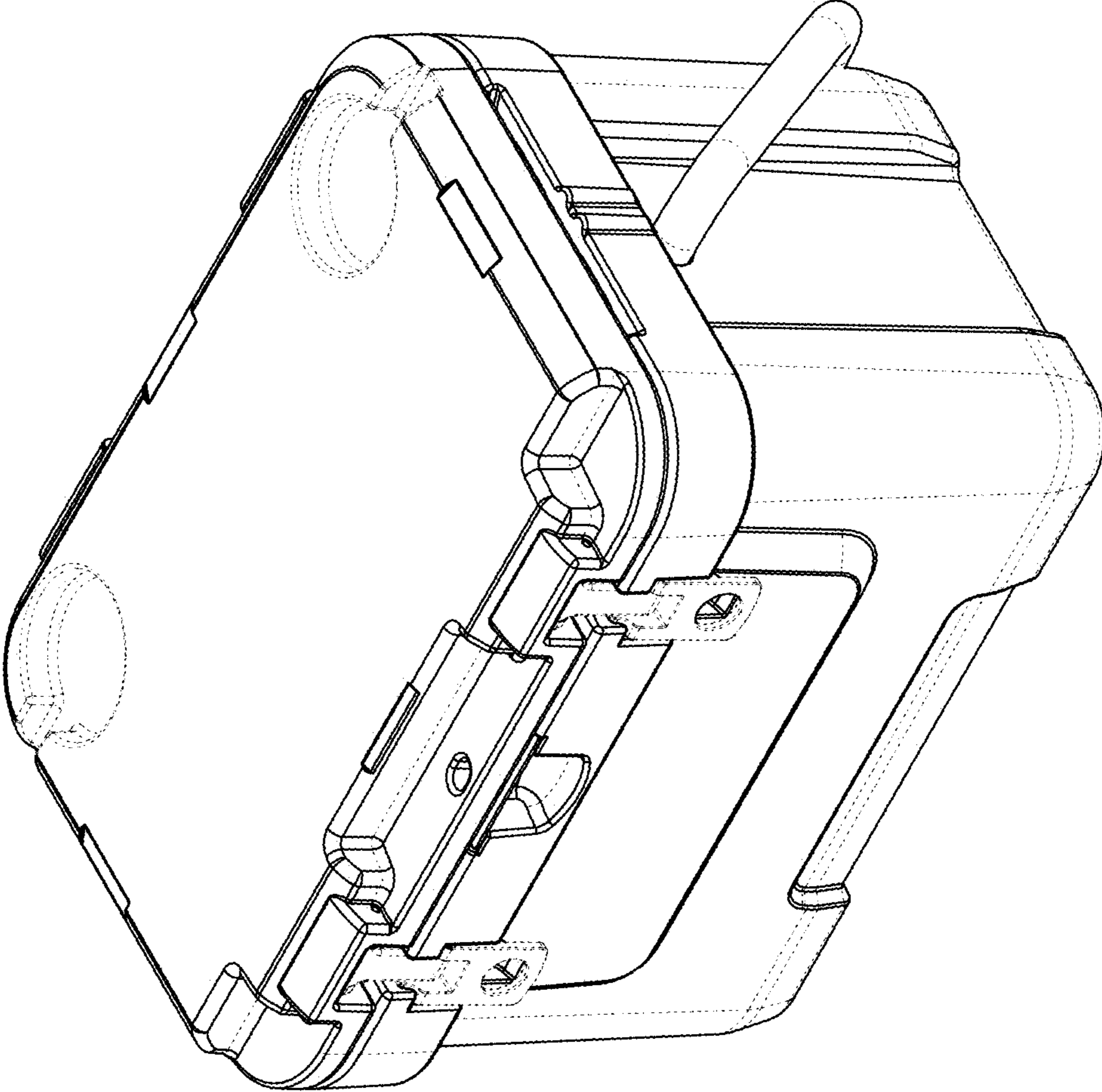


Figure 1

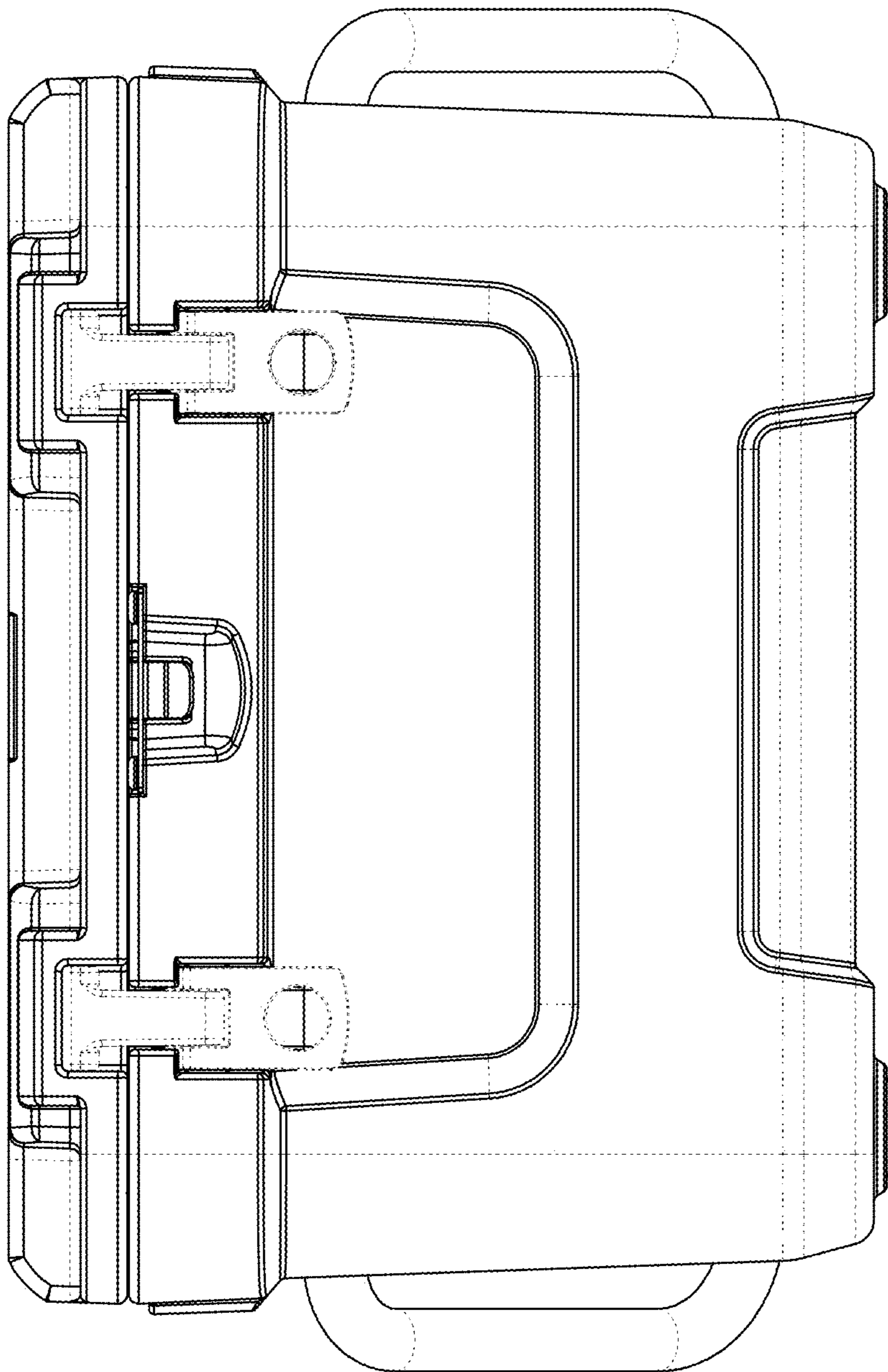


Figure 2

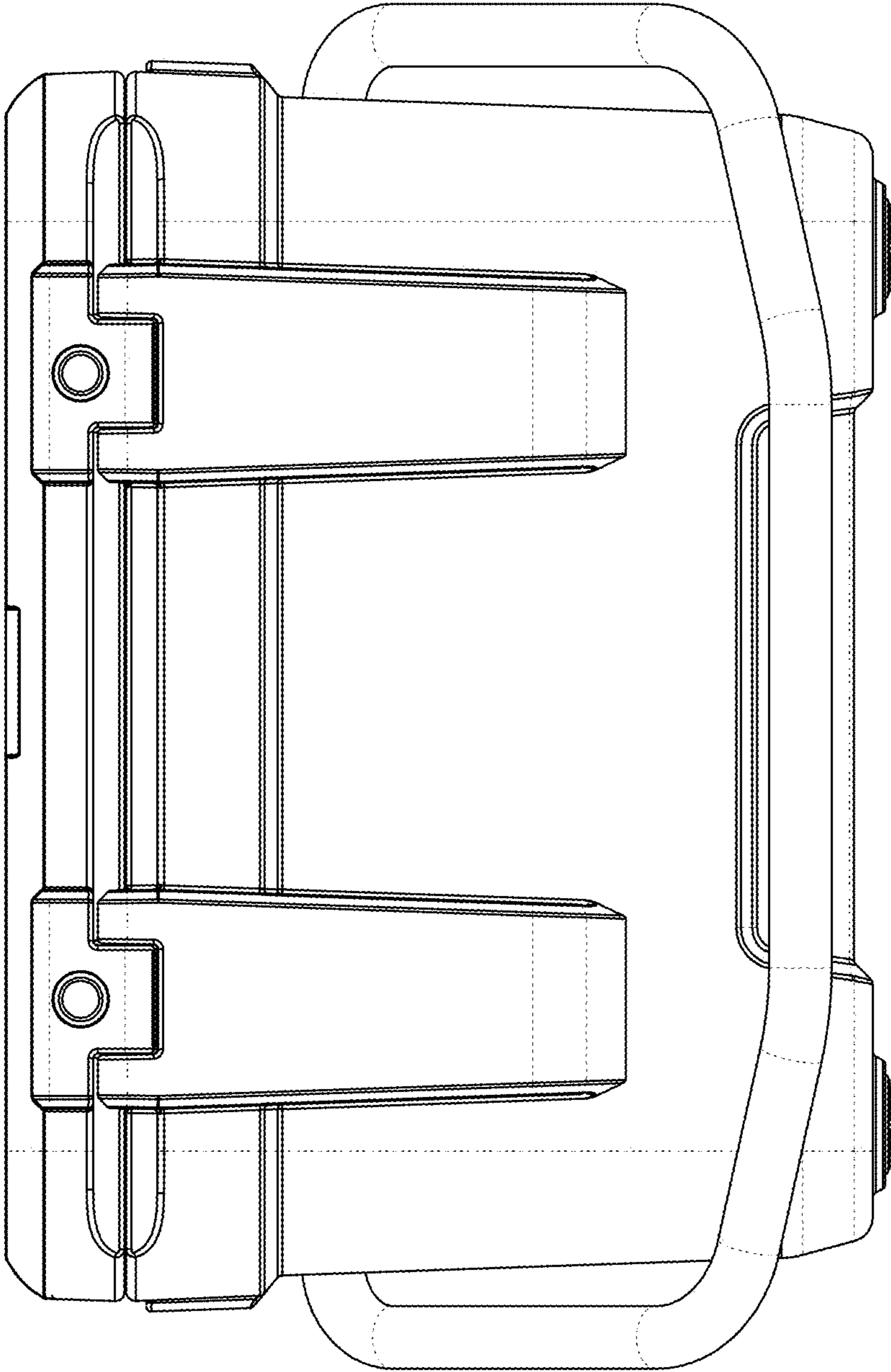


Figure 3

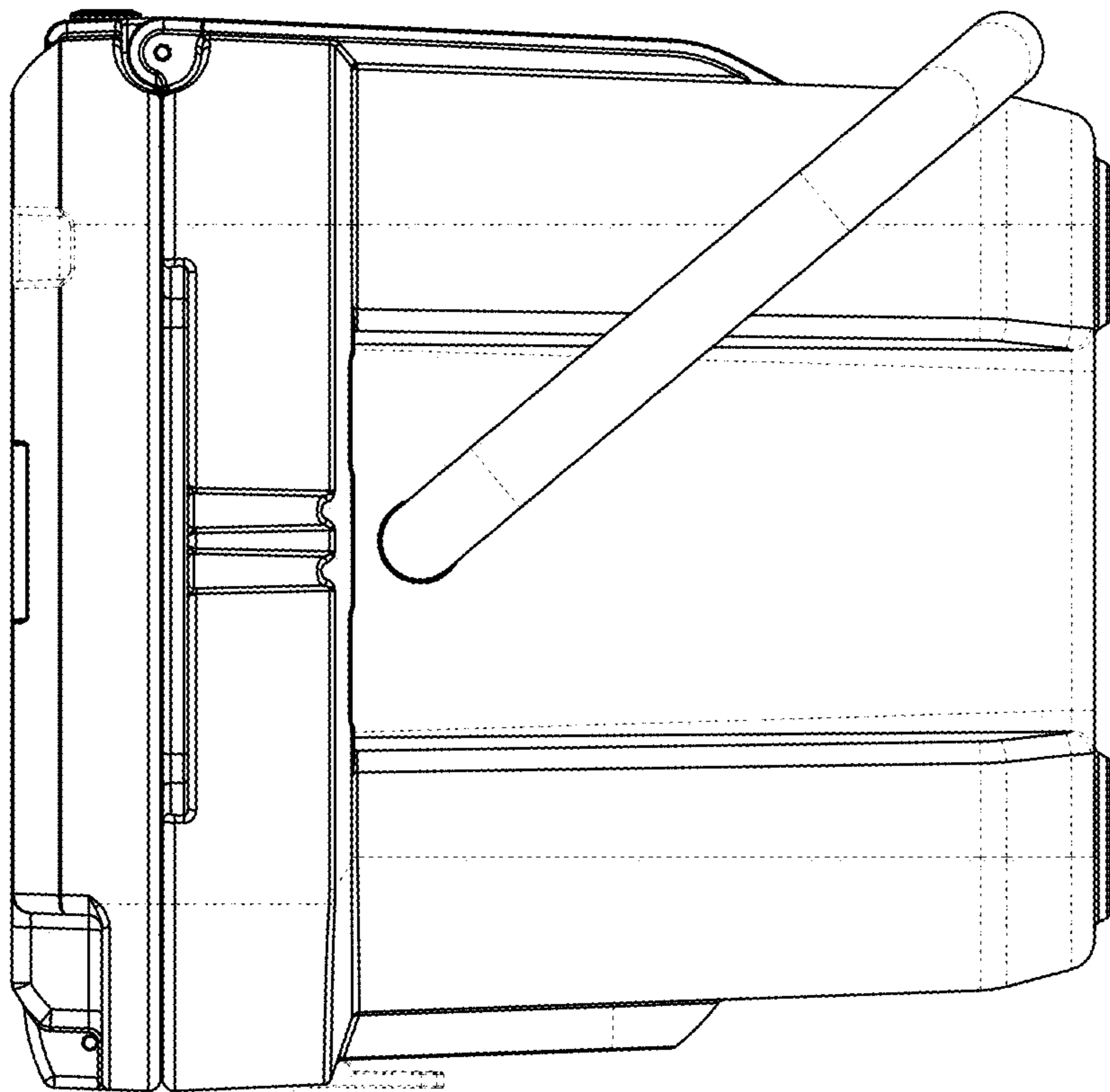


Figure 4

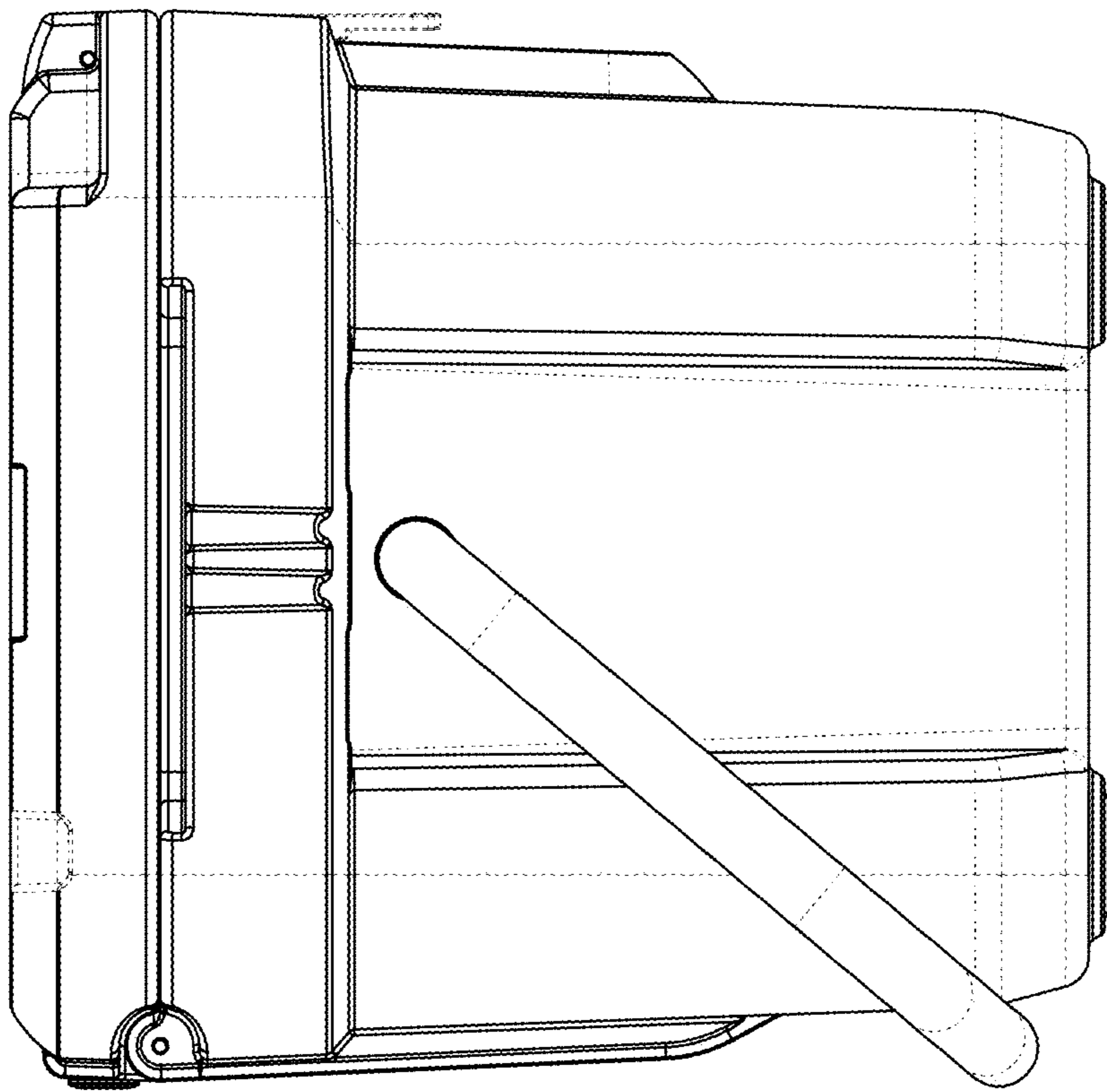


Figure 5

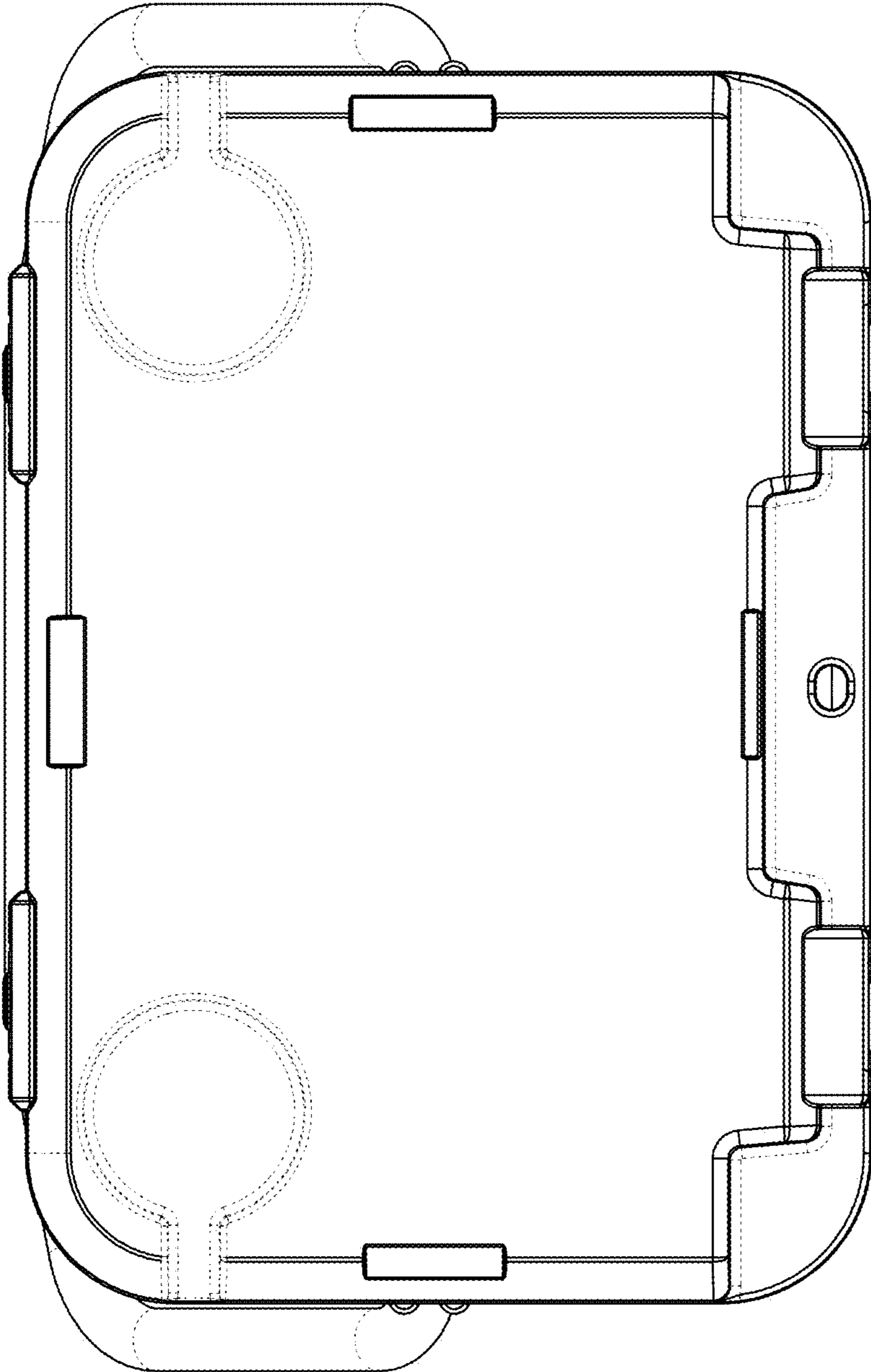


Figure 6

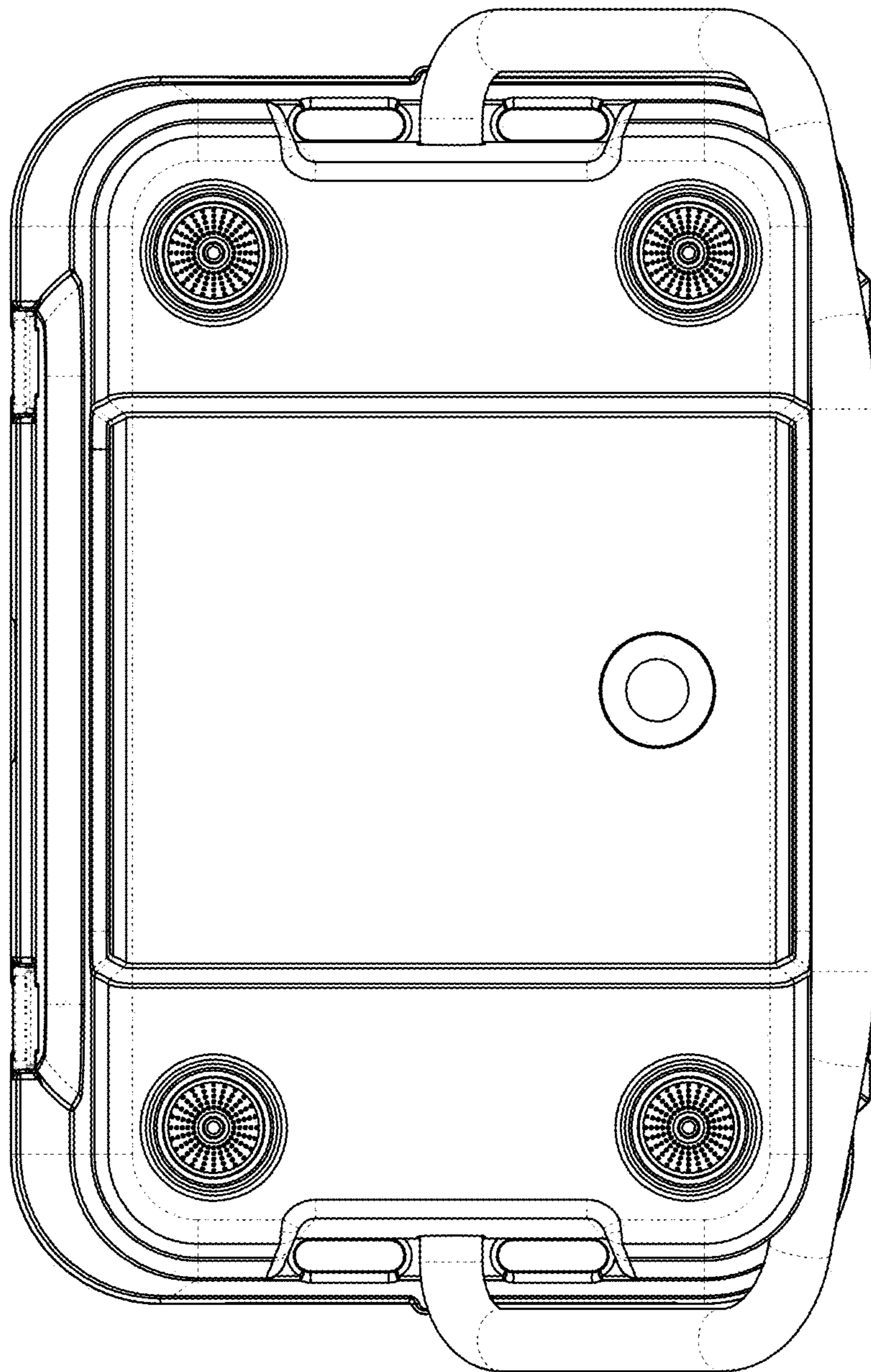


Figure 7

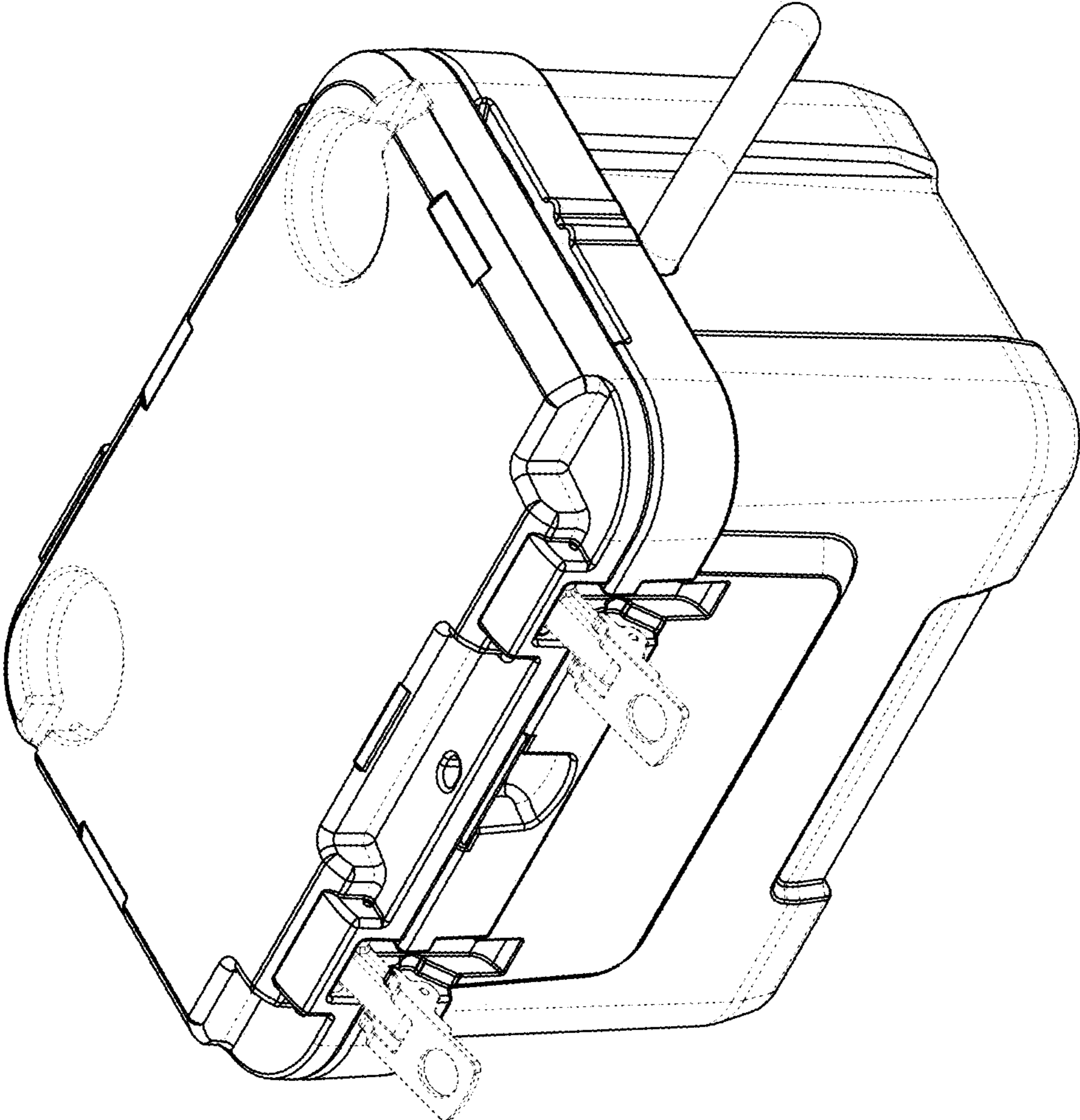


Figure 8

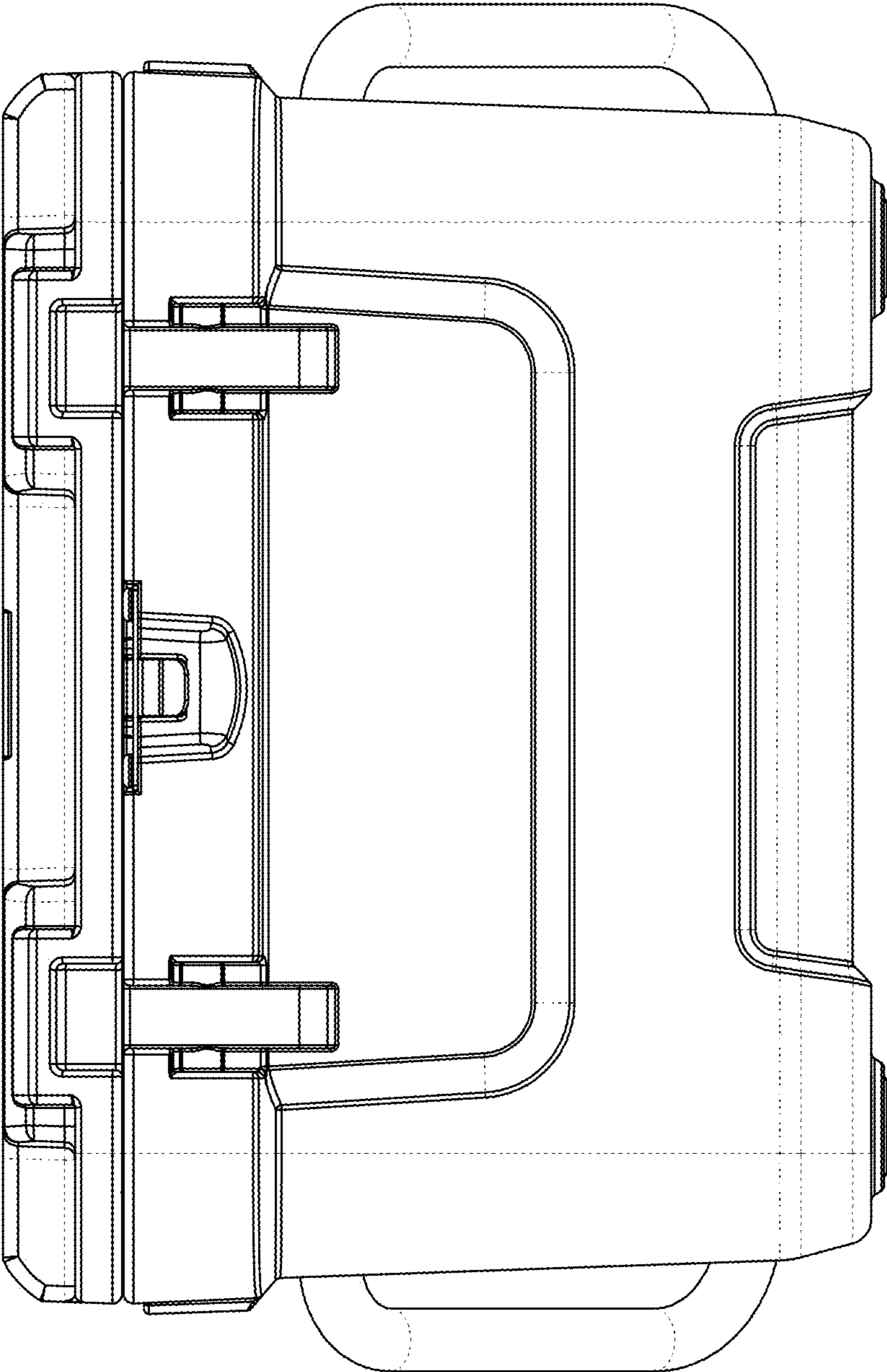


Figure 9

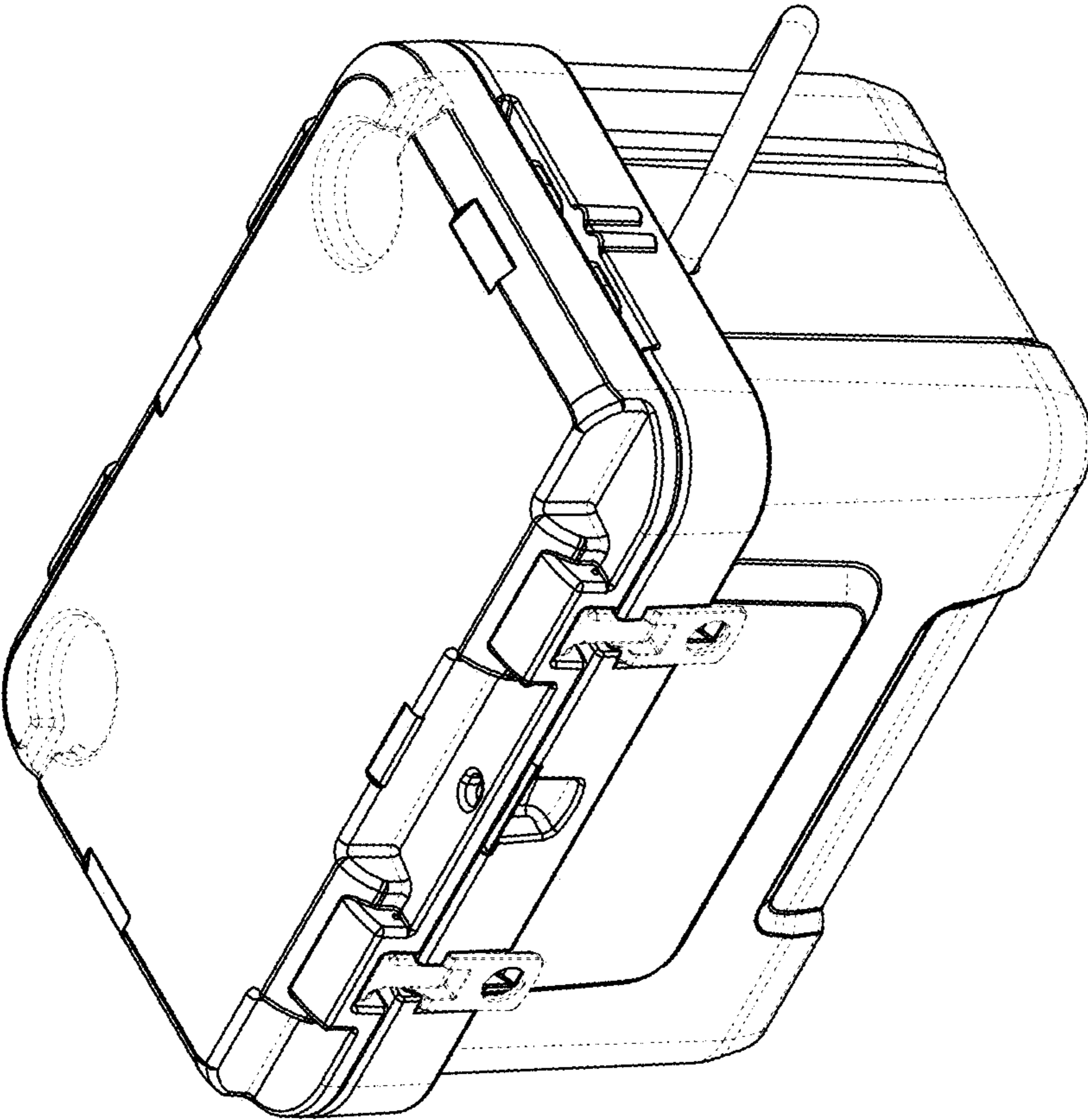


Figure 10

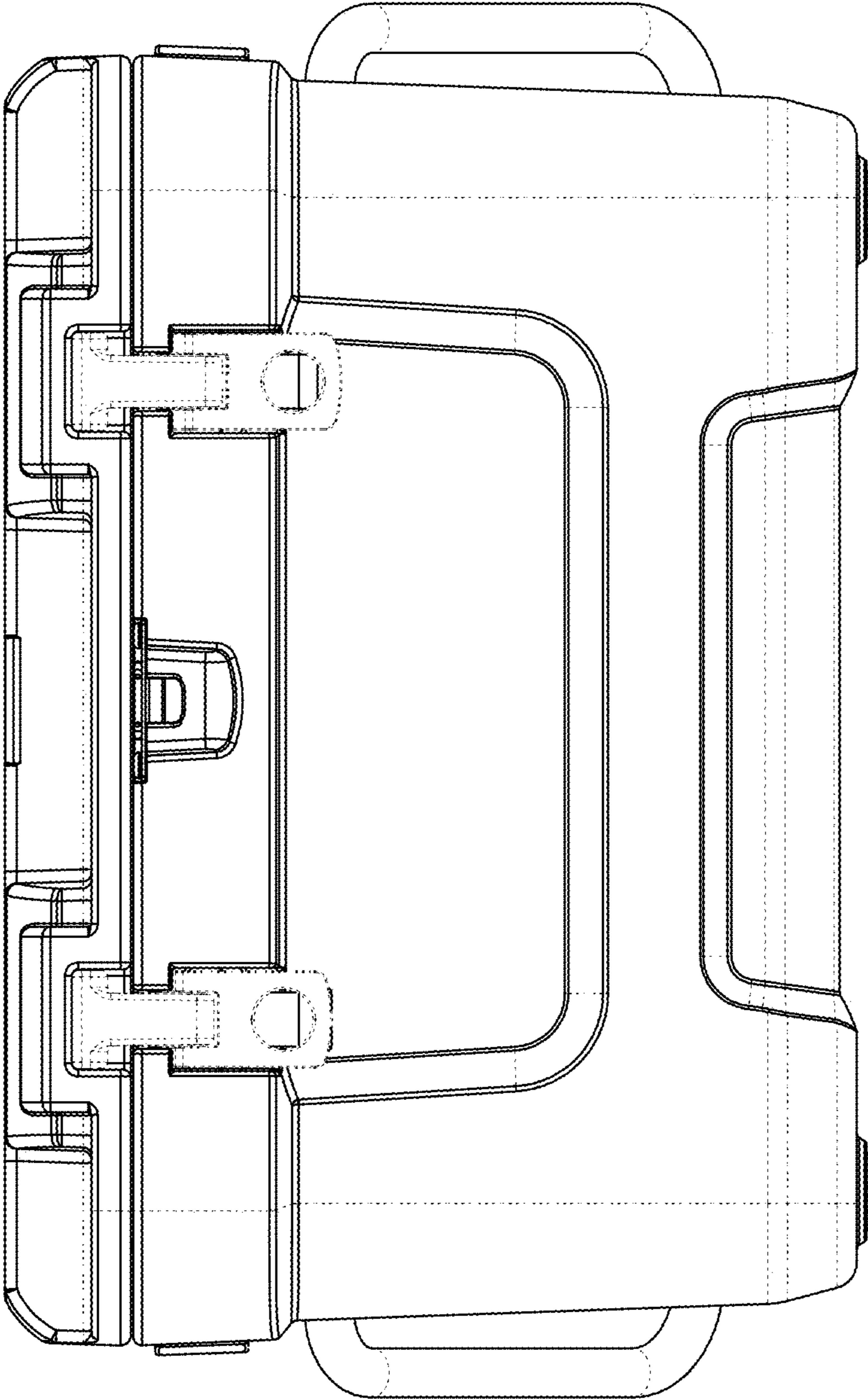


Figure 11

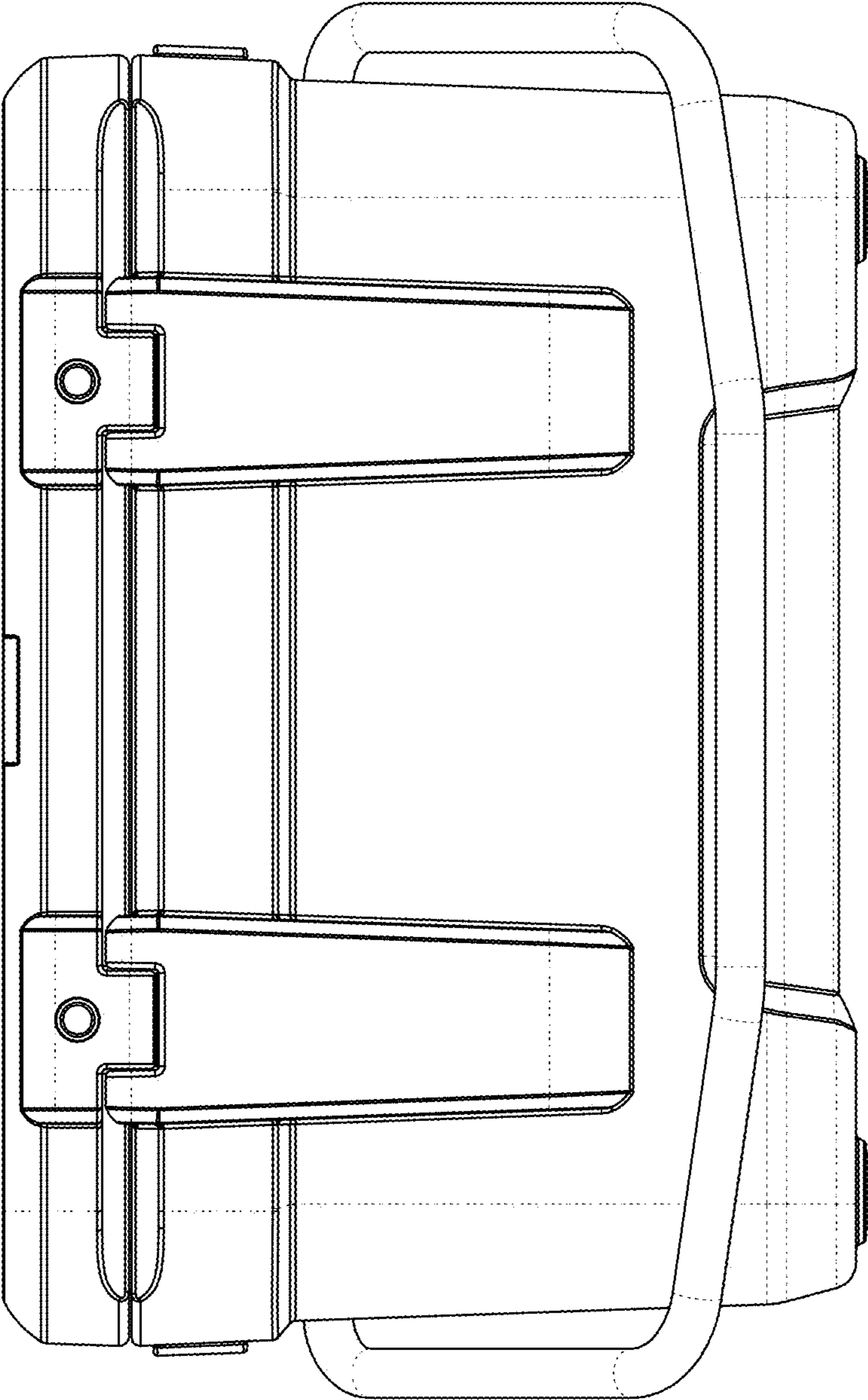


Figure 12

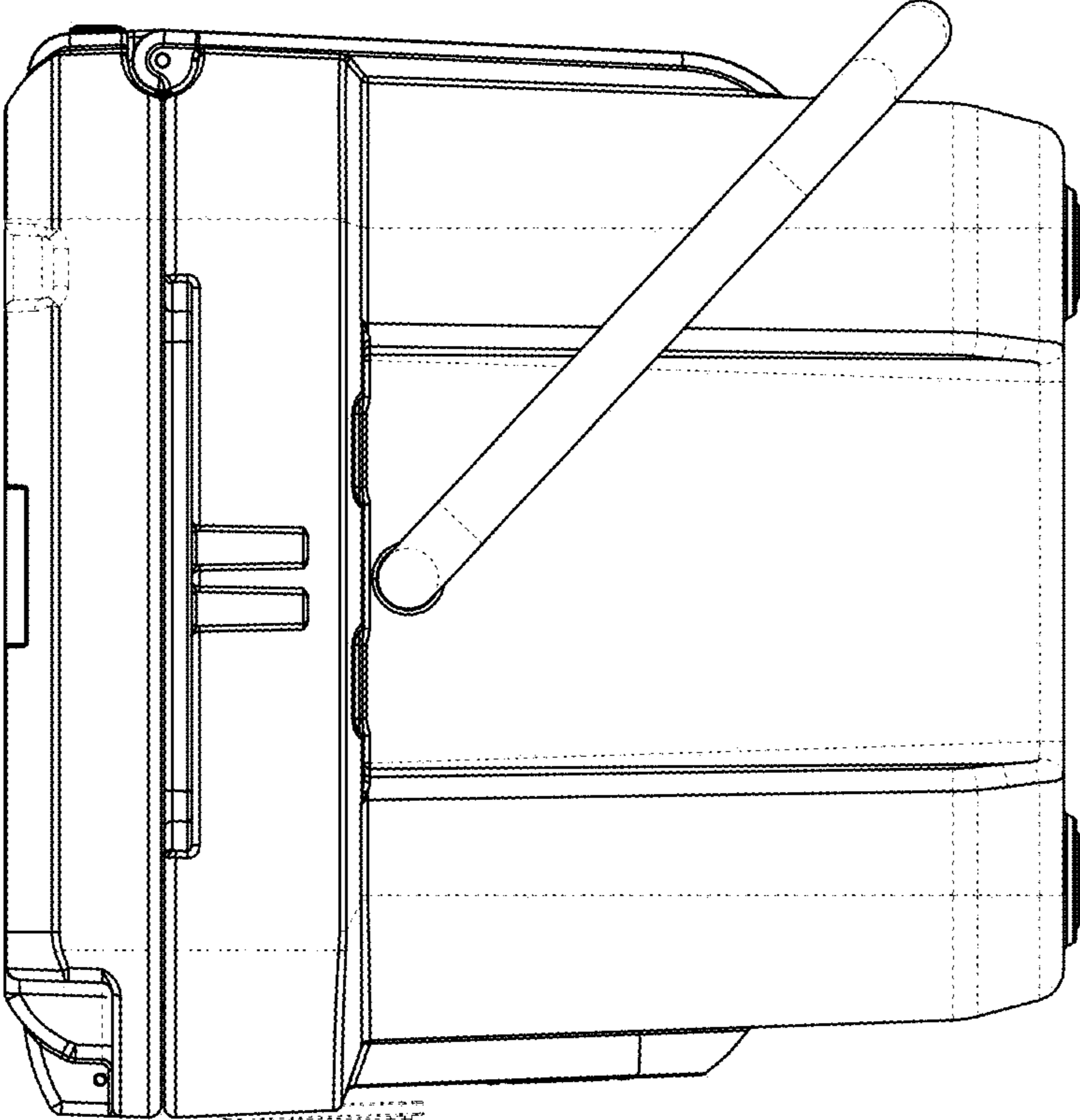


Figure 13

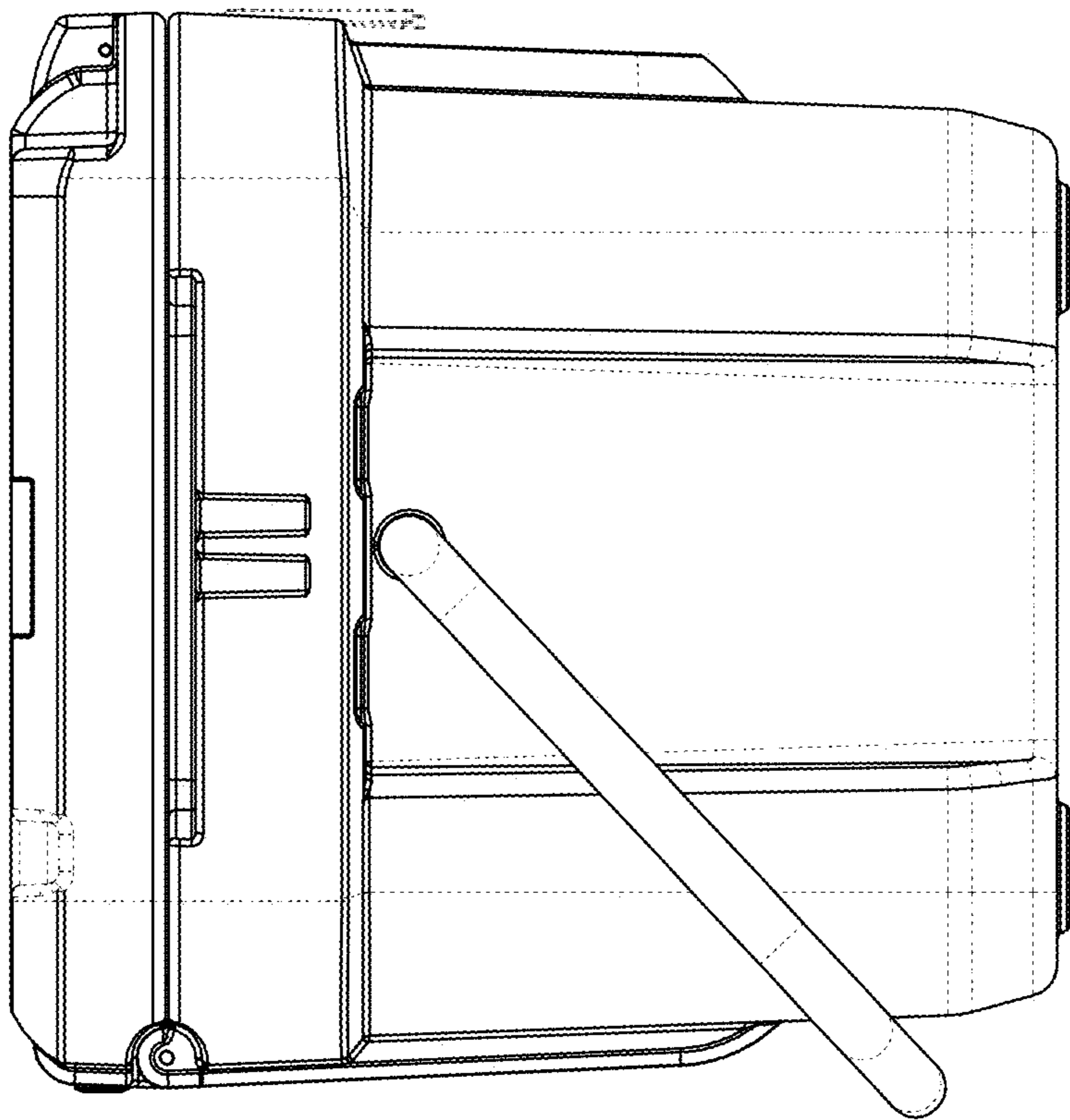


Figure 14

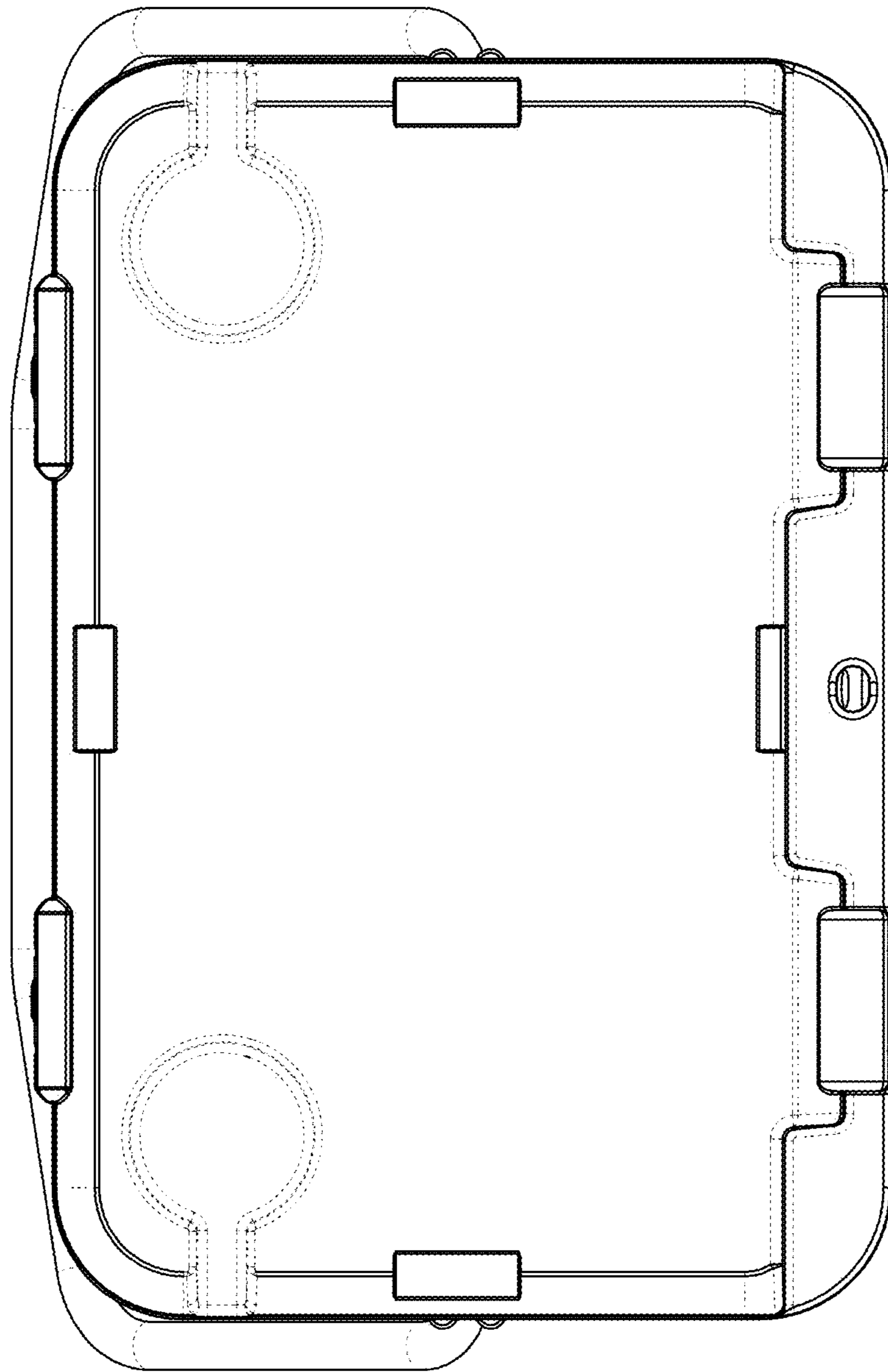


Figure 15

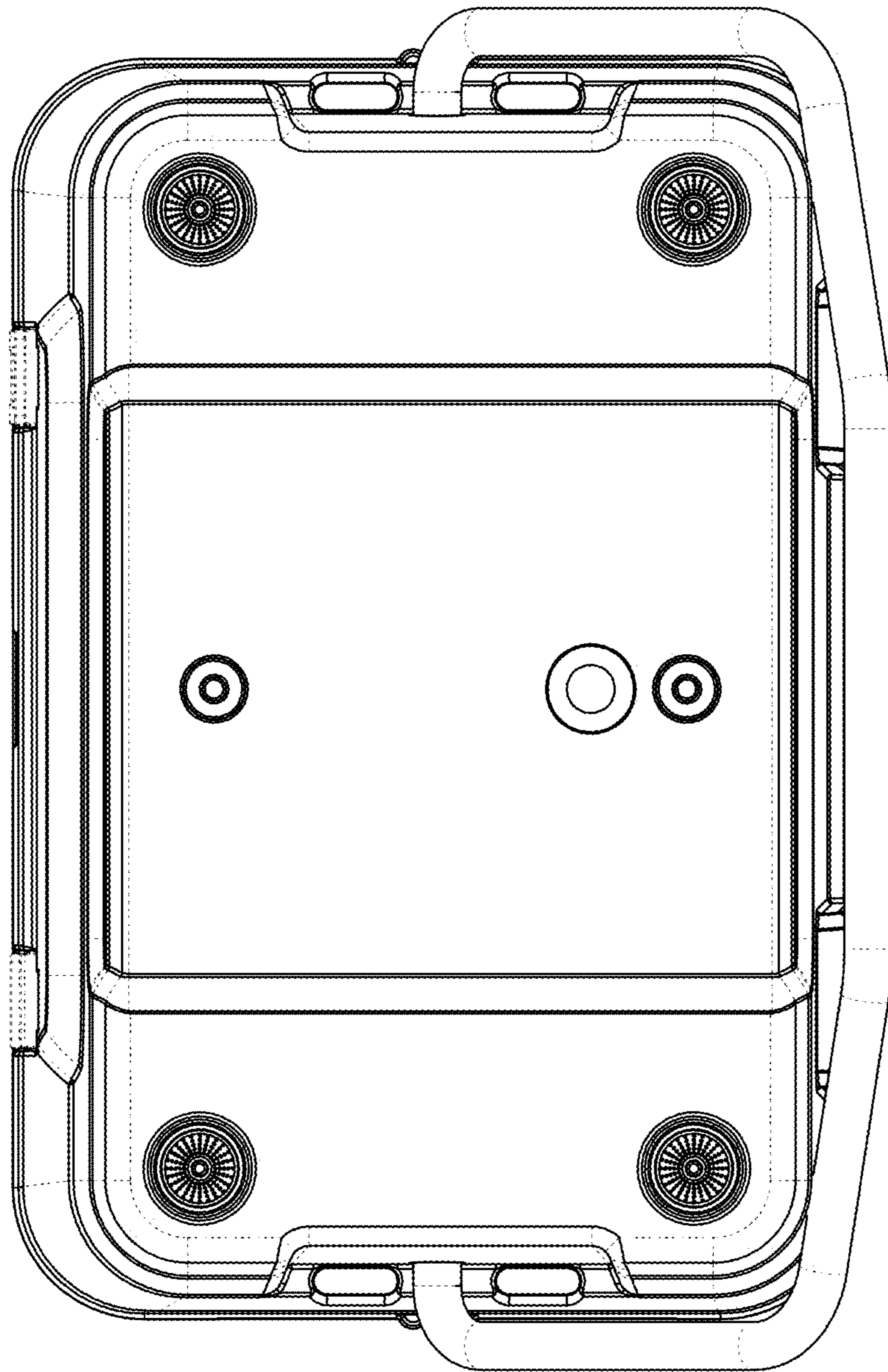


Figure 16

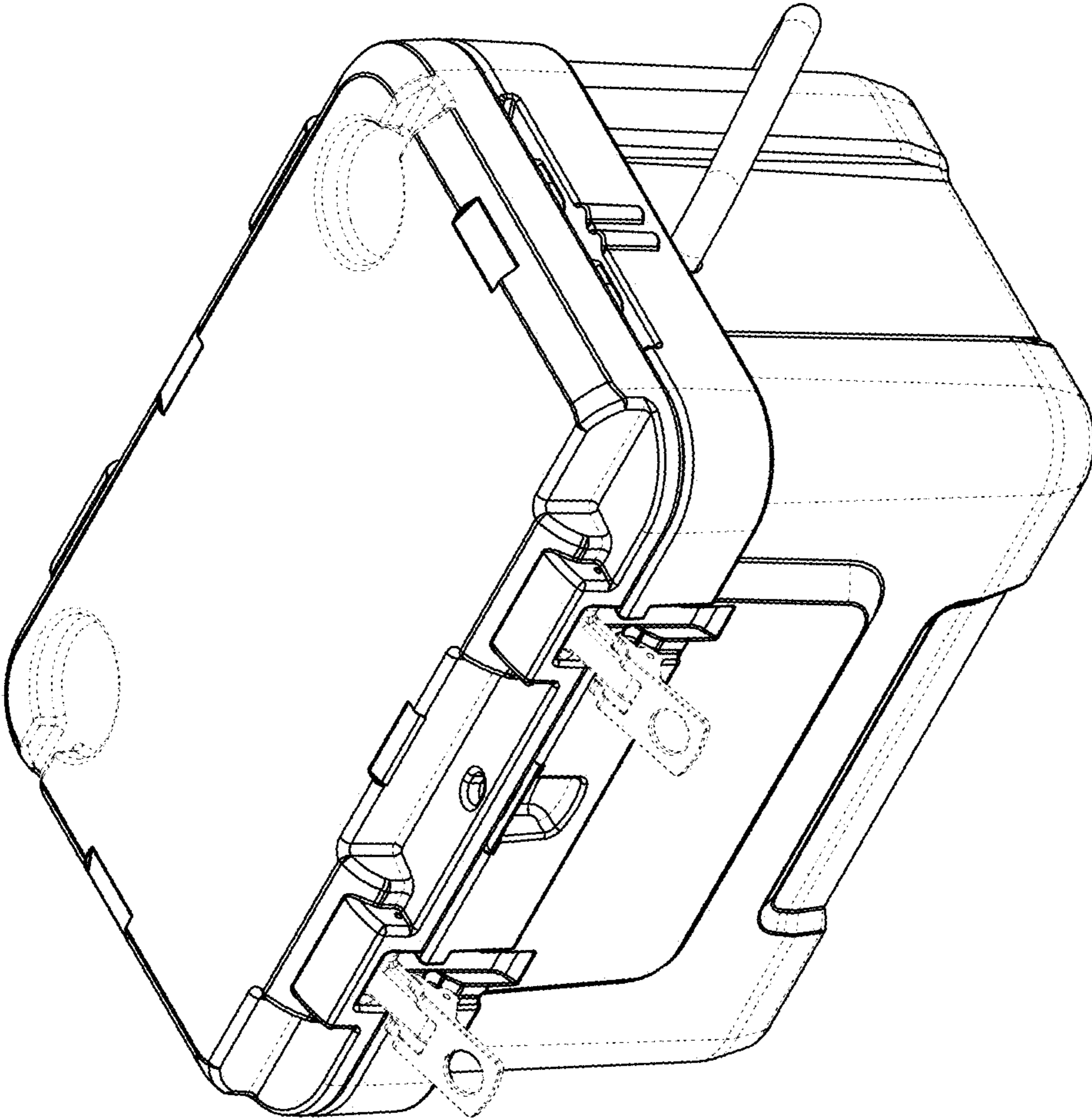


Figure 17

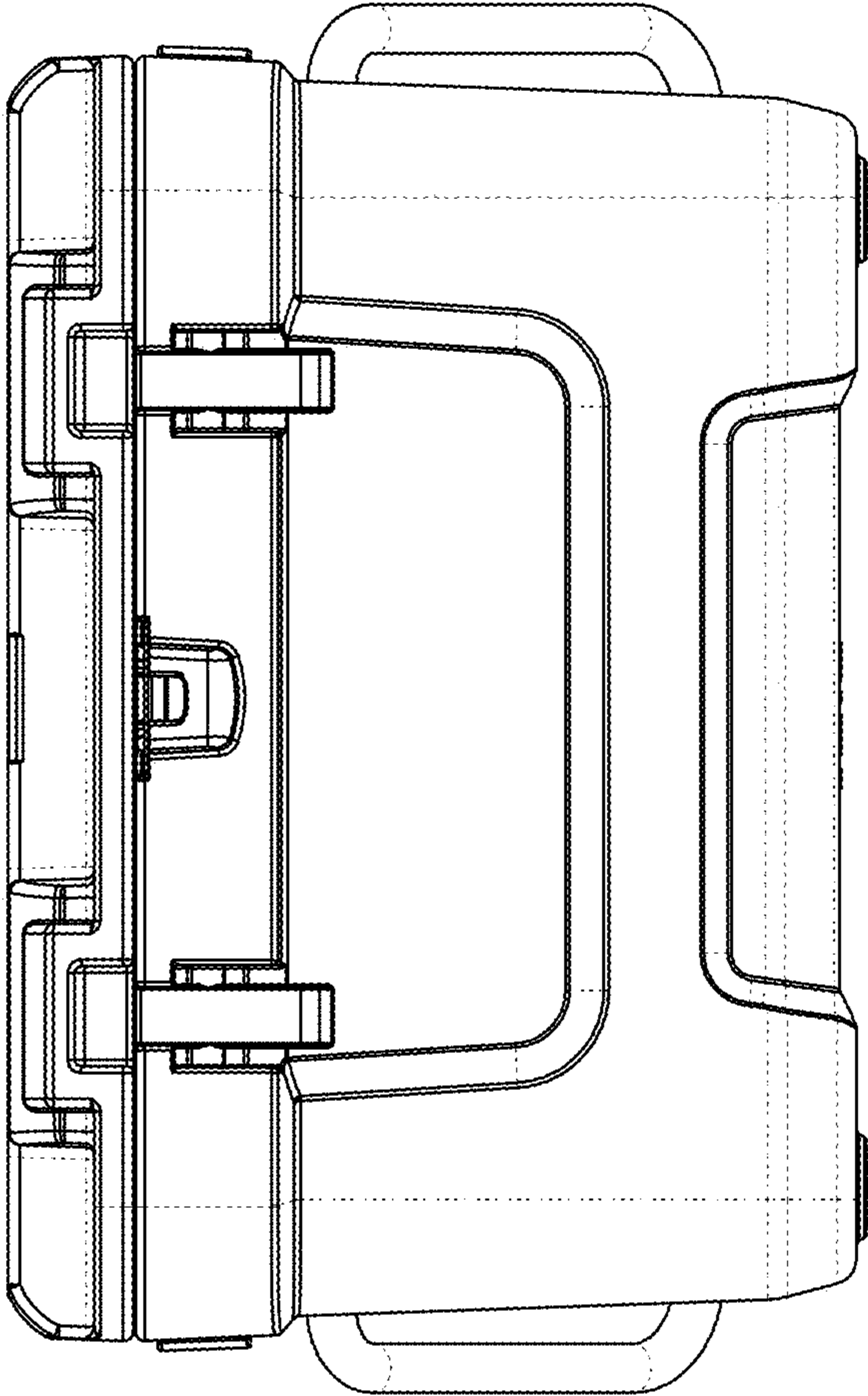


Figure 18