



US00D883751S

(12) **United States Design Patent** (10) **Patent No.:** **US D883,751 S**  
**Omura et al.** (45) **Date of Patent:** **\*\* May 12, 2020**

(54) **CONTAINER**

(71) Applicant: **Nisshin Foods Inc.**, Tokyo (JP)

(72) Inventors: **Masato Omura**, Tokyo (JP); **Shuhei Yamazaki**, Tokyo (JP); **Michihiro Sakakibara**, Tokyo (JP)

(73) Assignee: **NISSHIN FOODS INC.**, Chiyoda-Ku, Tokyo (JP)

(\*\*) Term: **15 Years**

(21) Appl. No.: **29/608,535**

(22) Filed: **Jun. 22, 2017**

(30) **Foreign Application Priority Data**

Dec. 22, 2016 (JP) ..... 2016-027941  
Dec. 22, 2016 (JP) ..... 2016-027942

(51) **LOC (12) Cl.** ..... **07-01**

(52) **U.S. Cl.**  
USPC ..... **D7/591**

(58) **Field of Classification Search**

USPC ..... D7/602, 605-609, 619.1, 629-630;  
D9/449, 500-501, 503-504, 529-530,  
(Continued)

(56) **References Cited**

**U.S. PATENT DOCUMENTS**

D278,602 S \* 4/1985 Rosenstein ..... D9/449  
4,693,399 A \* 9/1987 Hickman ..... B65D 47/0847  
215/235

(Continued)

**FOREIGN PATENT DOCUMENTS**

EM 003844125-0001 \* 5/2017  
EM 003844125-0002 \* 5/2017

(Continued)

**OTHER PUBLICATIONS**

Instant Coffee Container, Folgers, cleverlyinspired.com, posted by blogger Tracie on May 31, 2016 per wayback machine © 2019

Cleverly Inspired, online, site visited Jun. 26, 2019. Available from Internet, URL: <https://cleverlyinspired.com/2016/05/low-cal-coffee-shake-recipe-teacher-appreciation/> (Year: 2016).\*

(Continued)

*Primary Examiner* — Marissa J Cash  
*Assistant Examiner* — Altaira J Swangin

(74) *Attorney, Agent, or Firm* — Muncy, Geissler, Olds & Lowe, P.C.

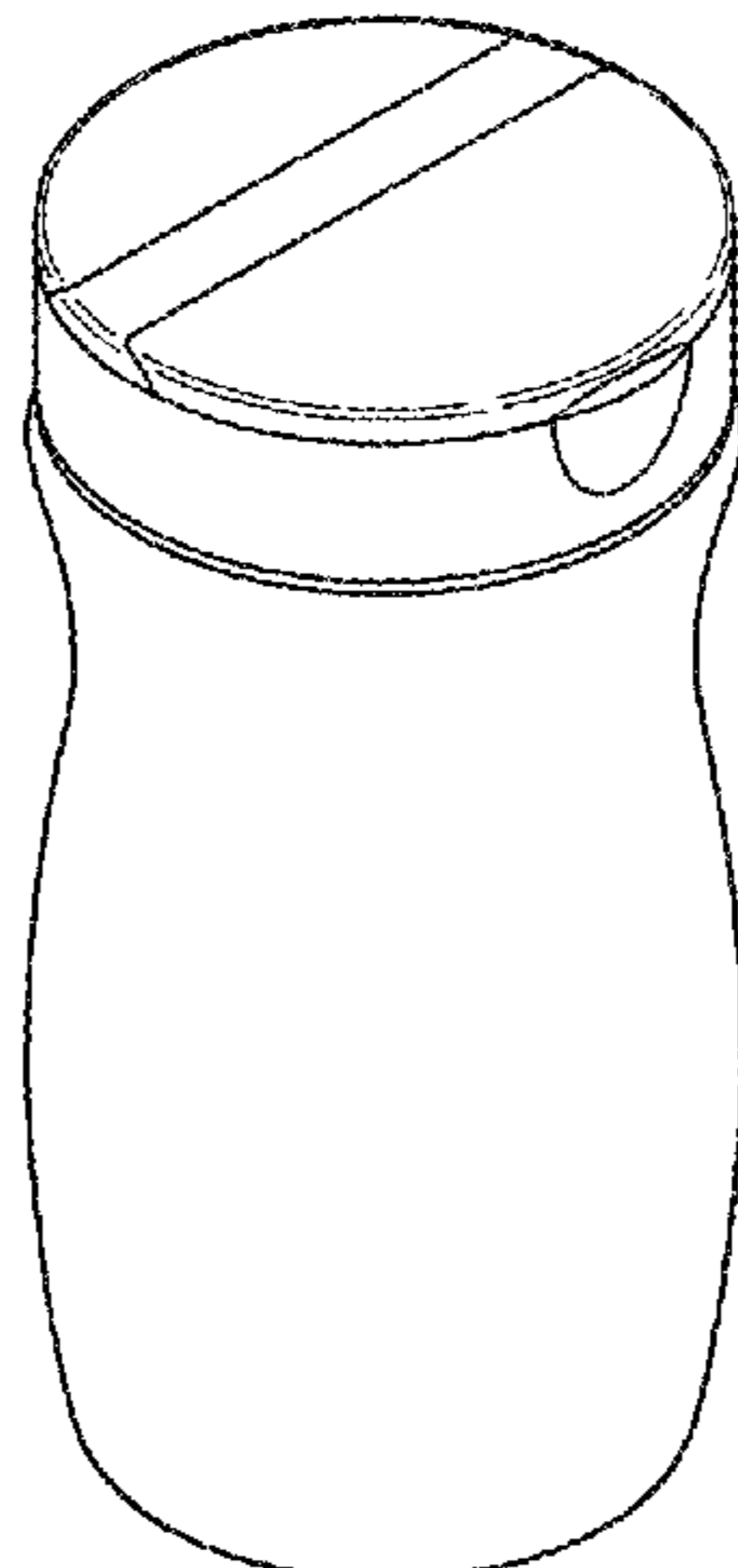
(57) **CLAIM**

The ornamental design for a container, as shown and described.

**DESCRIPTION**

FIG. 1 is a top front right perspective view of a container showing our new design,  
FIG. 2 is a front elevational view thereof,  
FIG. 3 is a rear elevational view thereof,  
FIG. 4 is a top plan view thereof,  
FIG. 5 is a bottom plan view thereof,  
FIG. 6 is a left side view thereof,  
FIG. 7 is a right side view thereof,  
FIG. 8 is a front elevational view of the container of FIGS. 1-7 in a second alternate configuration with a larger lid member open,  
FIG. 9 is a top plan view thereof, with the larger lid member open,  
FIG. 10 is a right side view thereof, with the larger lid member open,  
FIG. 11 is a front elevational view of the container of FIGS. 1-7 in a third alternate configuration, with a smaller lid member open,  
FIG. 12 is a top plan view thereof, with the smaller lid member open,  
FIG. 13 is a left side view thereof, with the smaller lid member open,  
FIG. 14 is a cross-sectional view taken along line 14-14 of FIG. 2; and,  
FIG. 15 is a cross-sectional view taken along line 15-15 of FIG. 4.

**1 Claim, 8 Drawing Sheets**



(58) **Field of Classification Search**  
 USPC ..... D9/763, 772, 776; 206/139–140,  
 206/216–217, 528–529, 533, 540  
 CPC ..... B65D 7/04; A47J 31/005; A47J 31/46  
 See application file for complete search history.

(56) **References Cited**

U.S. PATENT DOCUMENTS

D305,206 S \* 12/1989 Hickman ..... D9/449  
 4,898,292 A \* 2/1990 VerWeyst ..... B65D 47/0847  
 215/237  
 4,936,494 A \* 6/1990 Weidman ..... B65D 47/0847  
 215/235  
 4,955,513 A \* 9/1990 Bennett ..... B65D 47/0847  
 215/235  
 5,048,730 A \* 9/1991 Forsyth ..... B65D 47/0847  
 215/235  
 5,219,100 A \* 6/1993 Beck ..... B65D 47/0876  
 215/235  
 D340,187 S \* 10/1993 Forsyth ..... D9/449  
 5,330,082 A \* 7/1994 Forsyth ..... B65D 47/0847  
 222/480  
 D408,689 S \* 4/1999 Kato ..... D7/511  
 5,971,231 A \* 10/1999 Samz ..... B65D 21/0219  
 222/480  
 D445,337 S \* 7/2001 Croft ..... D9/450  
 D447,693 S \* 9/2001 Warner ..... D9/450  
 RE37,634 E \* 4/2002 Hickman ..... B65D 47/0847  
 215/235  
 6,460,718 B1 \* 10/2002 Vogel ..... B65D 21/0219  
 206/508  
 6,464,113 B1 \* 10/2002 Vogel ..... B65D 21/0219  
 222/480  
 6,575,323 B1 \* 6/2003 Martin ..... B65D 47/0852  
 220/254.2  
 D480,267 S \* 10/2003 Freed ..... D7/510  
 D525,129 S \* 7/2006 Hutter ..... D9/502  
 D532,691 S \* 11/2006 Vogel ..... D9/435  
 D533,064 S \* 12/2006 Glynn ..... D9/500  
 D582,273 S \* 12/2008 Vogel ..... D9/449  
 D584,107 S \* 1/2009 George ..... D7/510  
 7,501,933 B2 \* 3/2009 Rousso ..... A47G 19/2227  
 206/217  
 D603,702 S \* 11/2009 Daggett ..... D9/449  
 D603,703 S \* 11/2009 Daggett ..... B65D 43/161  
 D9/449  
 7,931,464 B2 \* 4/2011 Thierjung ..... B29C 49/62  
 425/525  
 8,141,741 B2 \* 3/2012 Metzger ..... B65D 7/04  
 220/672  
 D658,007 S \* 4/2012 George ..... D7/509

D668,509 S \* 10/2012 Beugelsdijk ..... D7/400  
 8,365,941 B2 \* 2/2013 Mayer ..... A45F 3/18  
 206/217  
 D690,161 S \* 9/2013 Garner ..... D7/510  
 D717,608 S \* 11/2014 Lin ..... D7/608  
 D717,609 S \* 11/2014 Lin ..... D7/608  
 D717,610 S \* 11/2014 Lin ..... D7/608  
 D768,494 S \* 10/2016 Li ..... D9/504  
 9,801,492 B1 \* 10/2017 Lin ..... A47J 31/20  
 D809,387 S \* 2/2018 Tran ..... D9/449  
 D809,388 S \* 2/2018 Tran ..... D9/449  
 D828,755 S \* 9/2018 Jacobs ..... D9/449  
 D850,912 S \* 6/2019 Wilson ..... D9/449  
 D851,456 S \* 6/2019 Shen ..... D7/510  
 D859,155 S \* 9/2019 Reiley ..... D9/449  
 10,478,007 B2 \* 11/2019 He ..... A47J 31/30  
 2003/0111495 A1 \* 6/2003 Parve ..... B65D 47/0847  
 222/556  
 2004/0089678 A1 \* 5/2004 Martin ..... B65D 47/0852  
 222/556  
 2004/0118846 A1 \* 6/2004 Merolla ..... B65D 47/08  
 220/254.2  
 2005/0029154 A1 \* 2/2005 Kahn ..... A61J 7/0076  
 206/540  
 2007/0145082 A1 \* 6/2007 Parve ..... B65D 47/0857  
 222/480  
 2008/0257918 A1 \* 10/2008 Vogel ..... B65D 47/0895  
 222/480  
 2011/0215116 A1 \* 9/2011 Fuller ..... A47G 19/24  
 222/226  
 2016/0360917 A1 \* 12/2016 Richardson ..... A47J 31/0576  
 2018/0168385 A1 \* 6/2018 Boone ..... A47J 31/52  
 2018/0263403 A1 \* 9/2018 Richardson ..... A47J 31/057  
 2019/0106253 A1 \* 4/2019 Ludewig ..... B65D 51/18  
 2019/0373927 A1 \* 12/2019 Ohmura ..... A23P 20/12

FOREIGN PATENT DOCUMENTS

EM 003844125-0003 \* 5/2017  
 EM 004035343-0001 \* 6/2017  
 EM 004035343-0002 \* 6/2017  
 EM 004035343-0003 \* 6/2017

OTHER PUBLICATIONS

Coffee-mate Container, Nestle, yesterdayontuesday.com, posted by blogger Malia on Aug. 10, 2015 per wayback machine © 2019, online, site visited Jun. 26, 2019. Available from Internet, URL: <http://yesterdayontuesday.com/2015/08/smart-and-simple-coffee-station/> (Year: 2015).\*

\* cited by examiner

FIG. 1

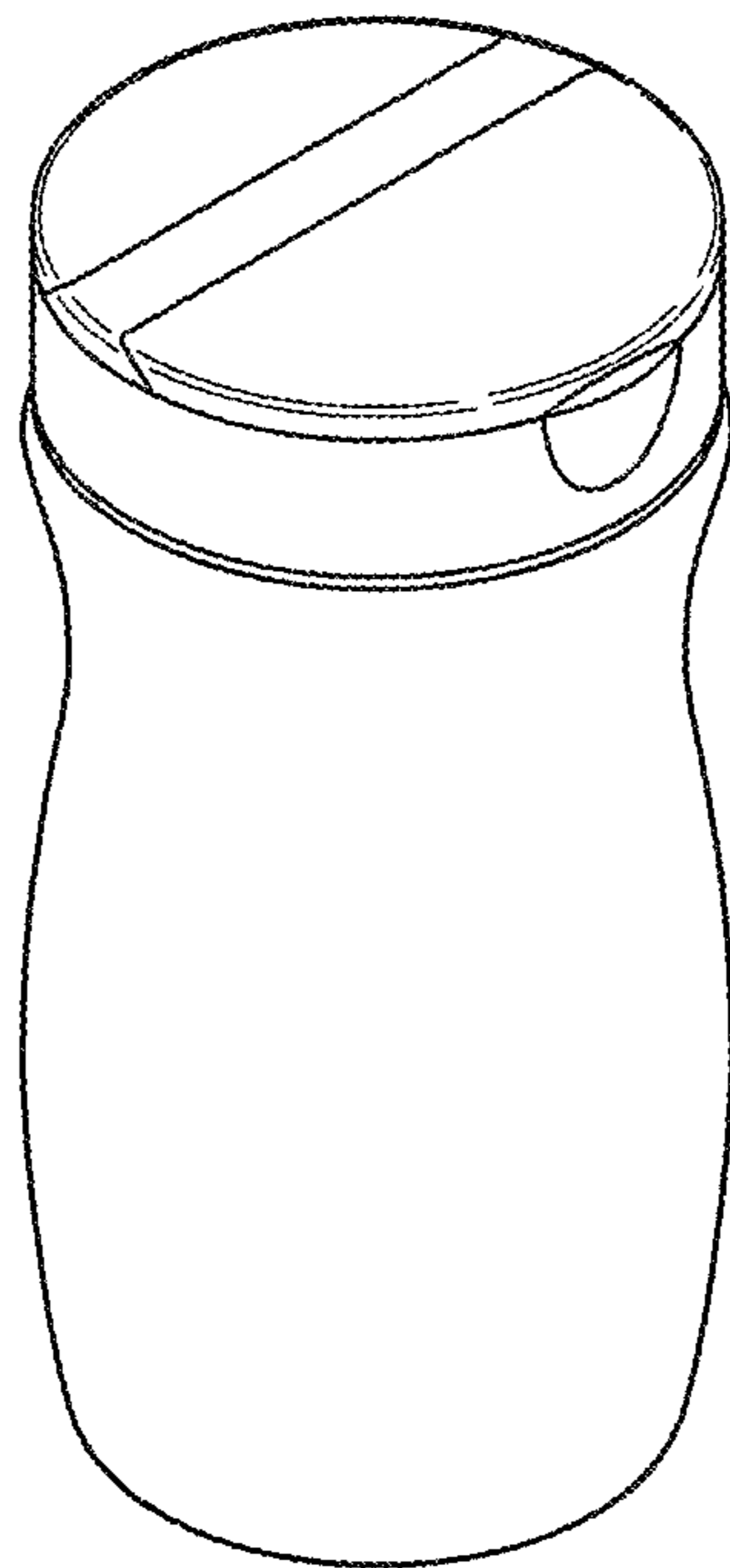


FIG. 2

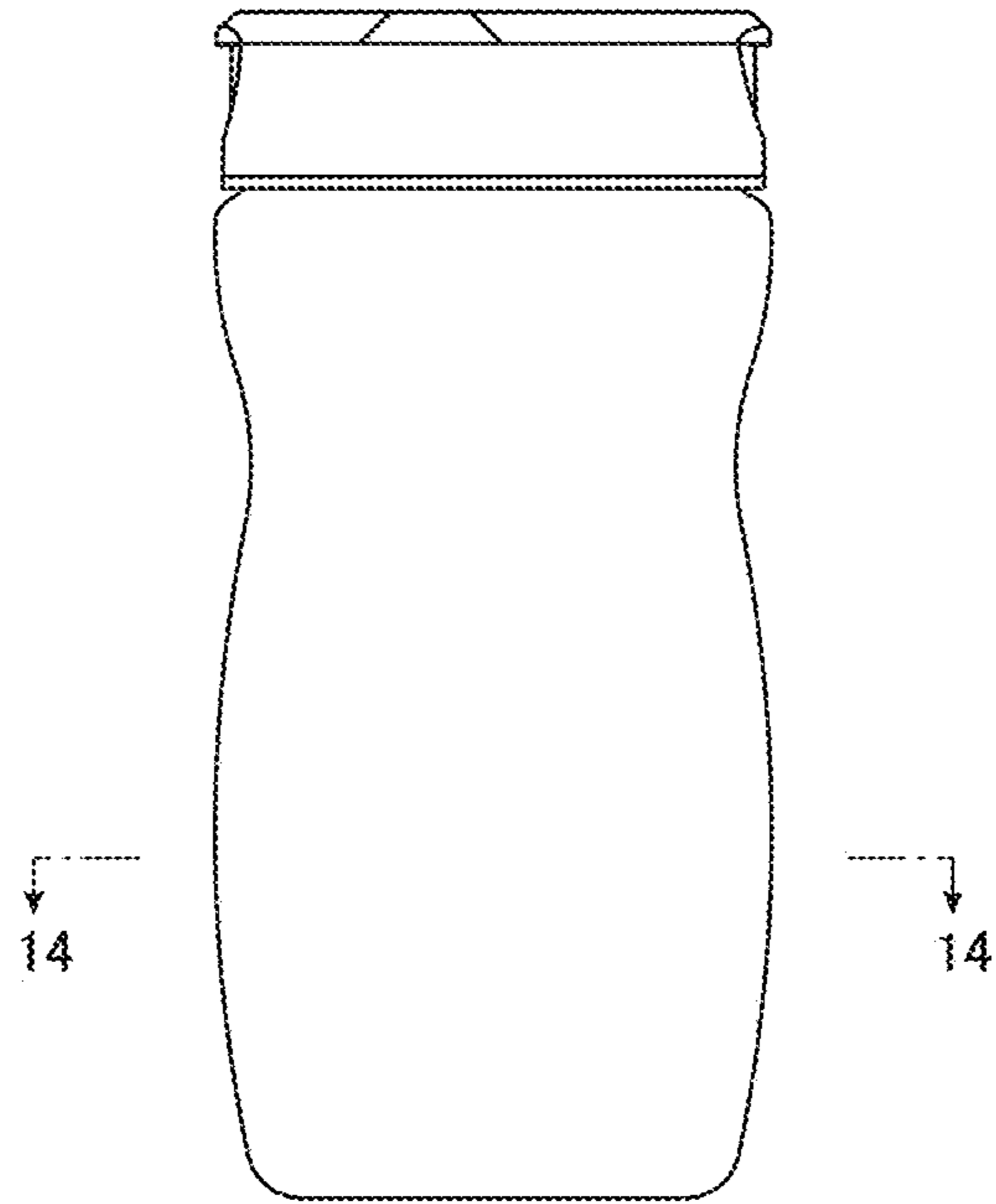


FIG. 3

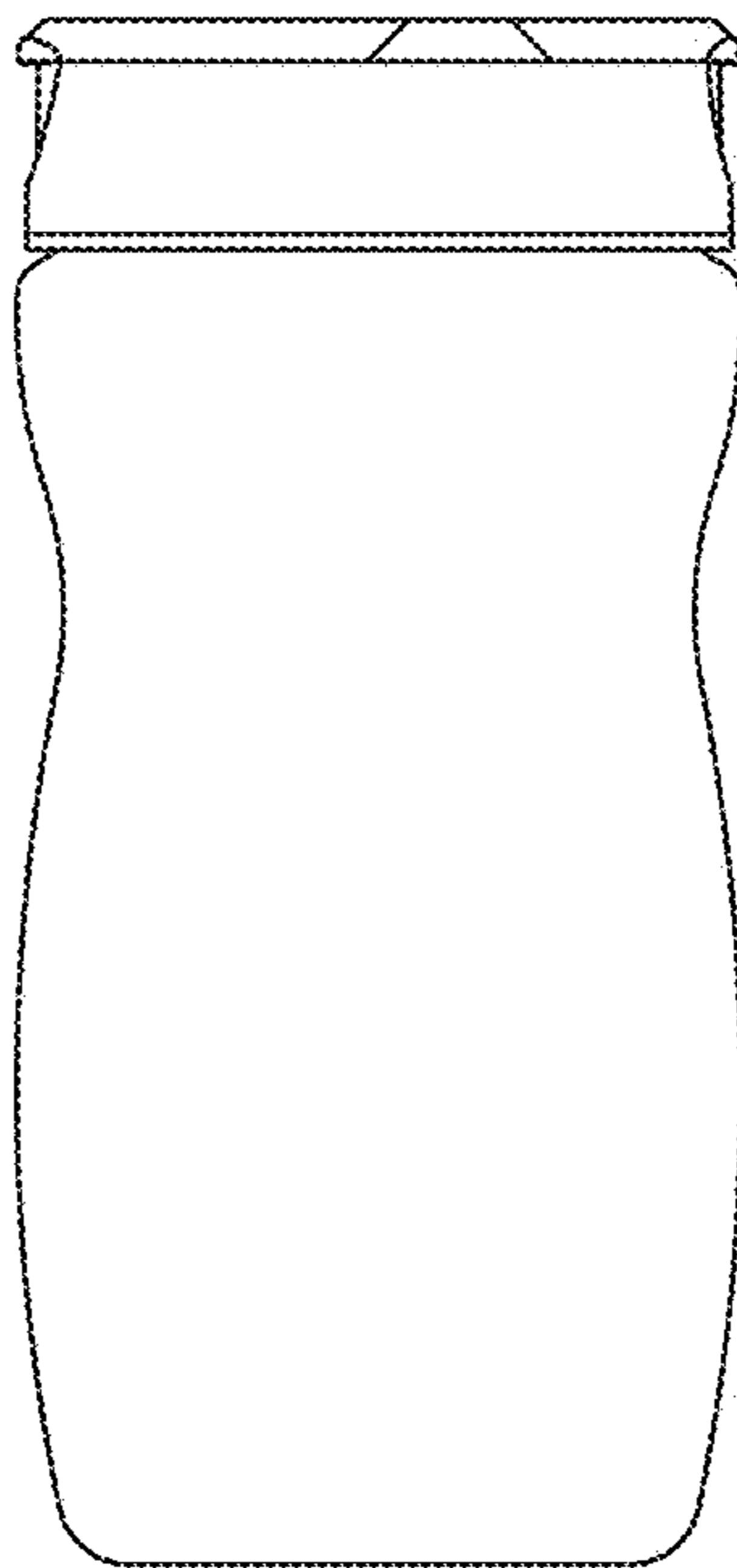


FIG. 4

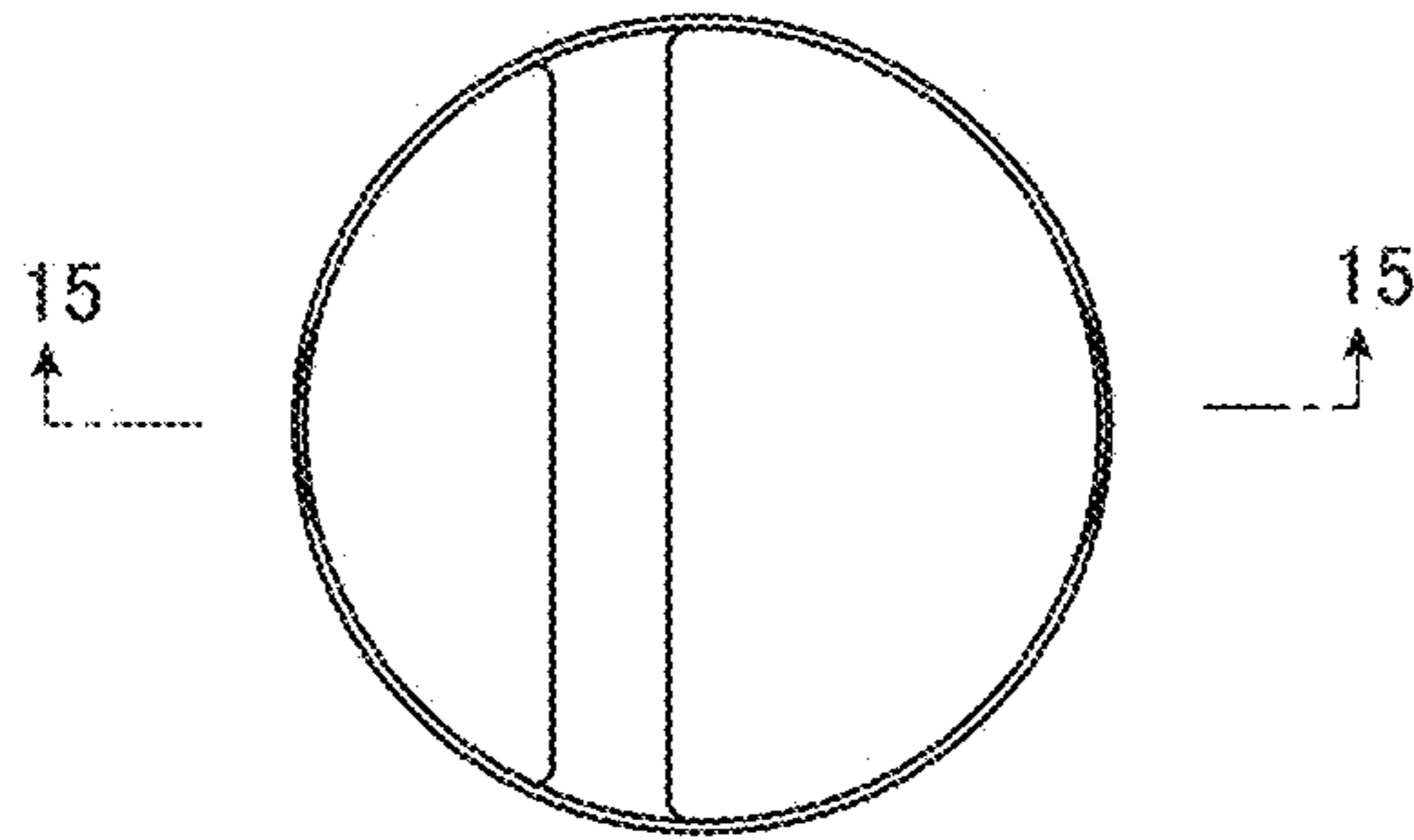


FIG. 5

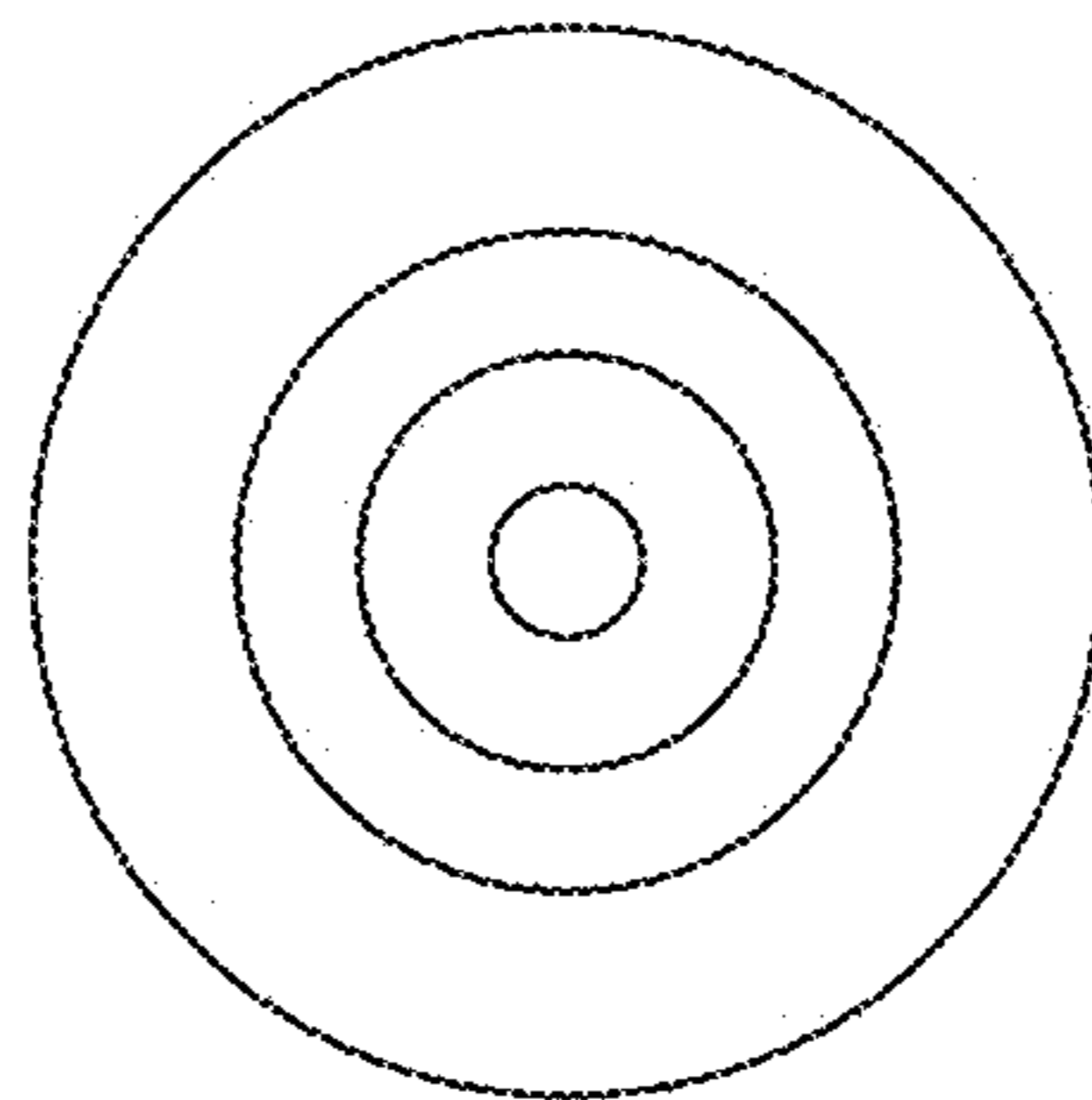


FIG. 6

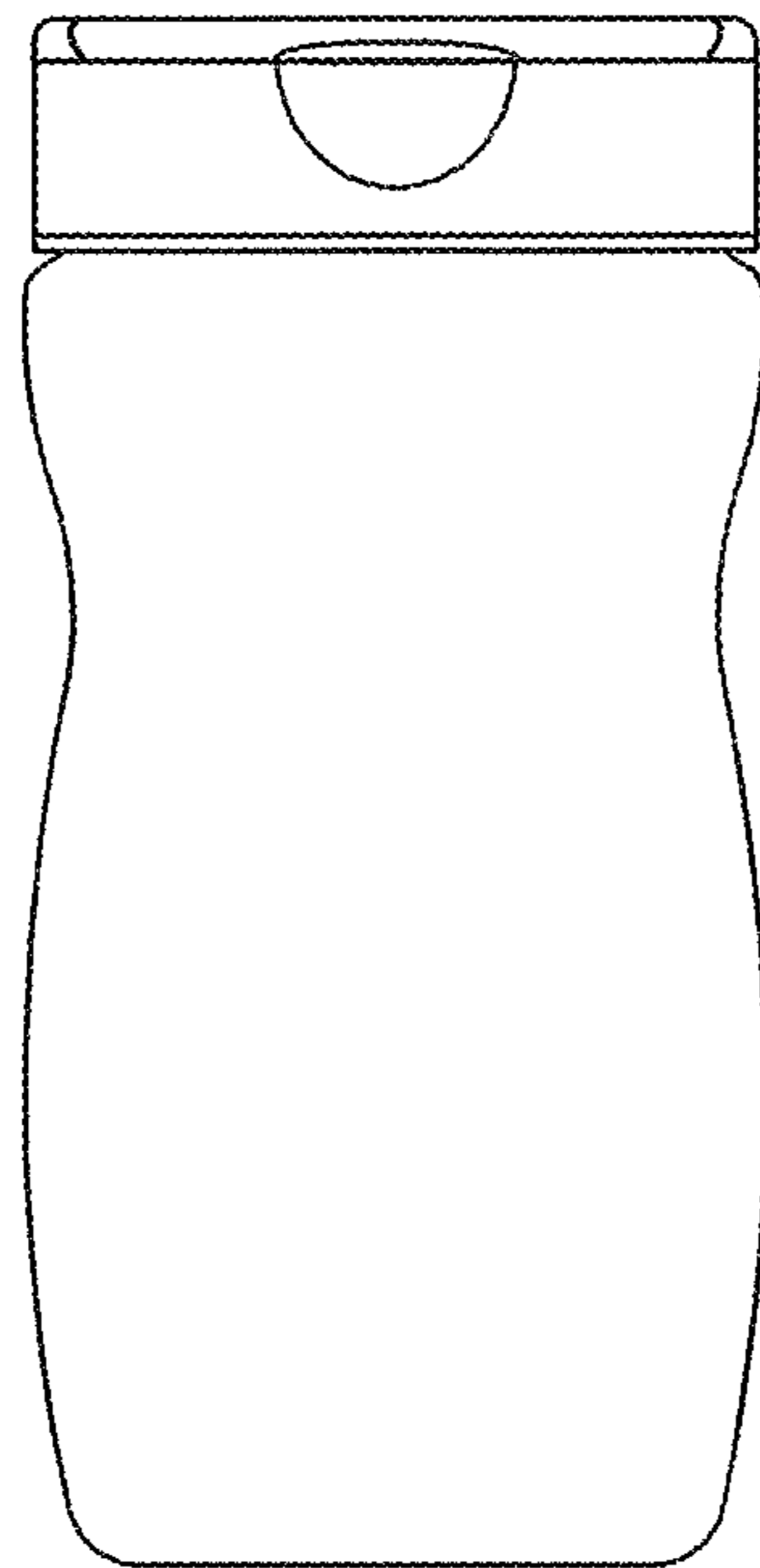


FIG. 7

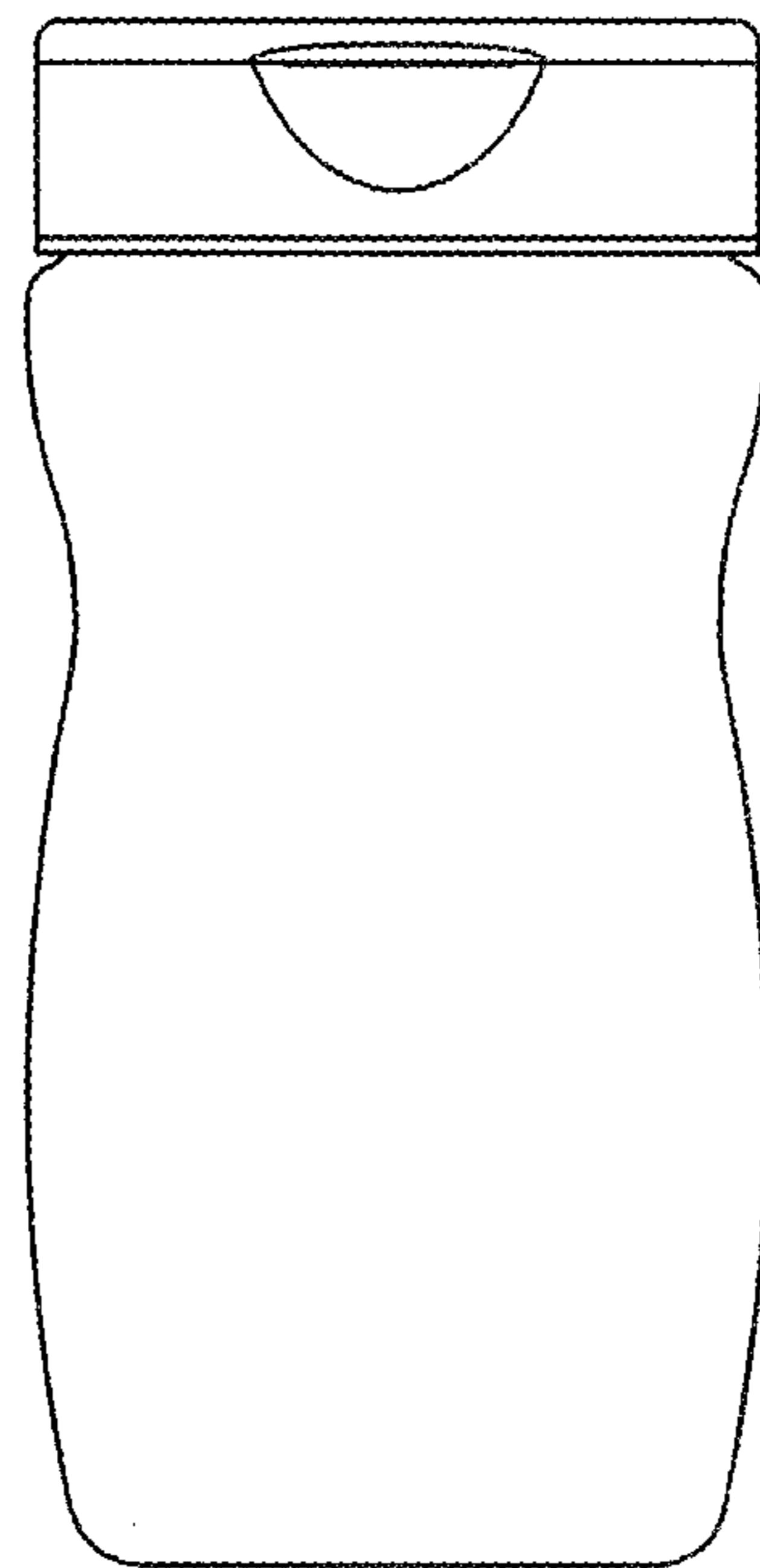


FIG. 8

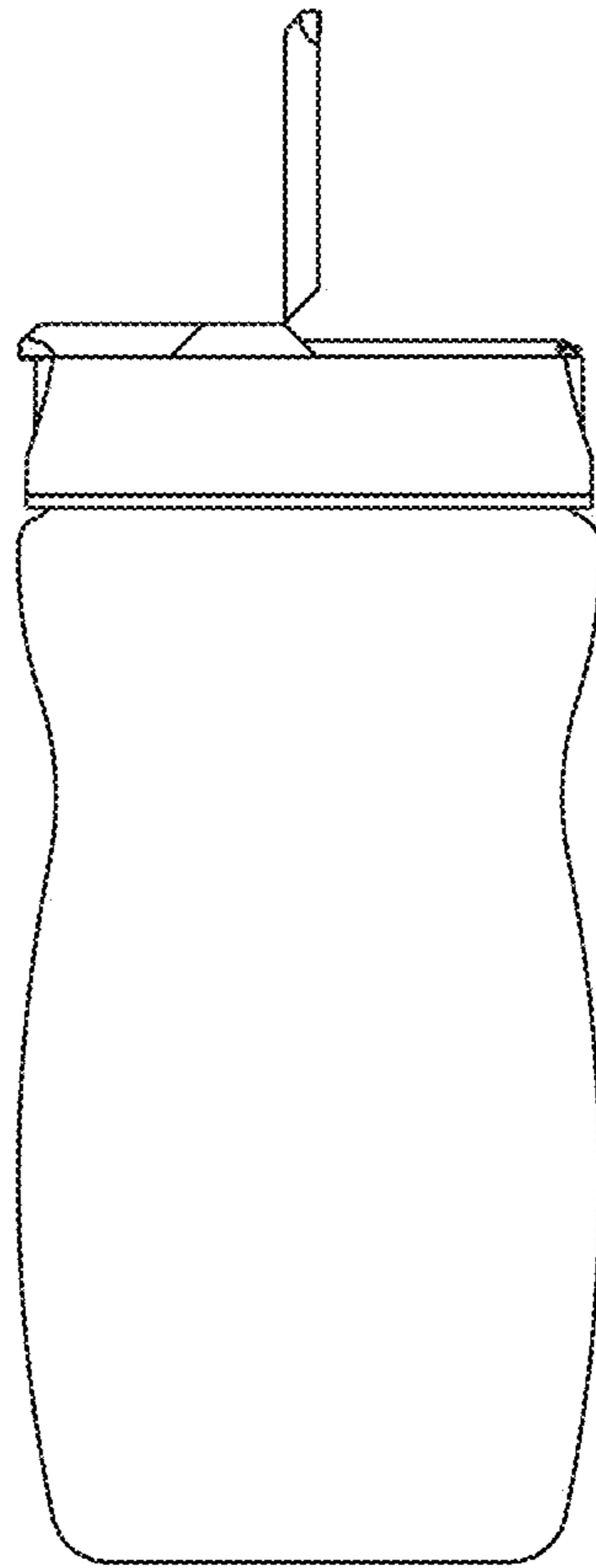


FIG. 9

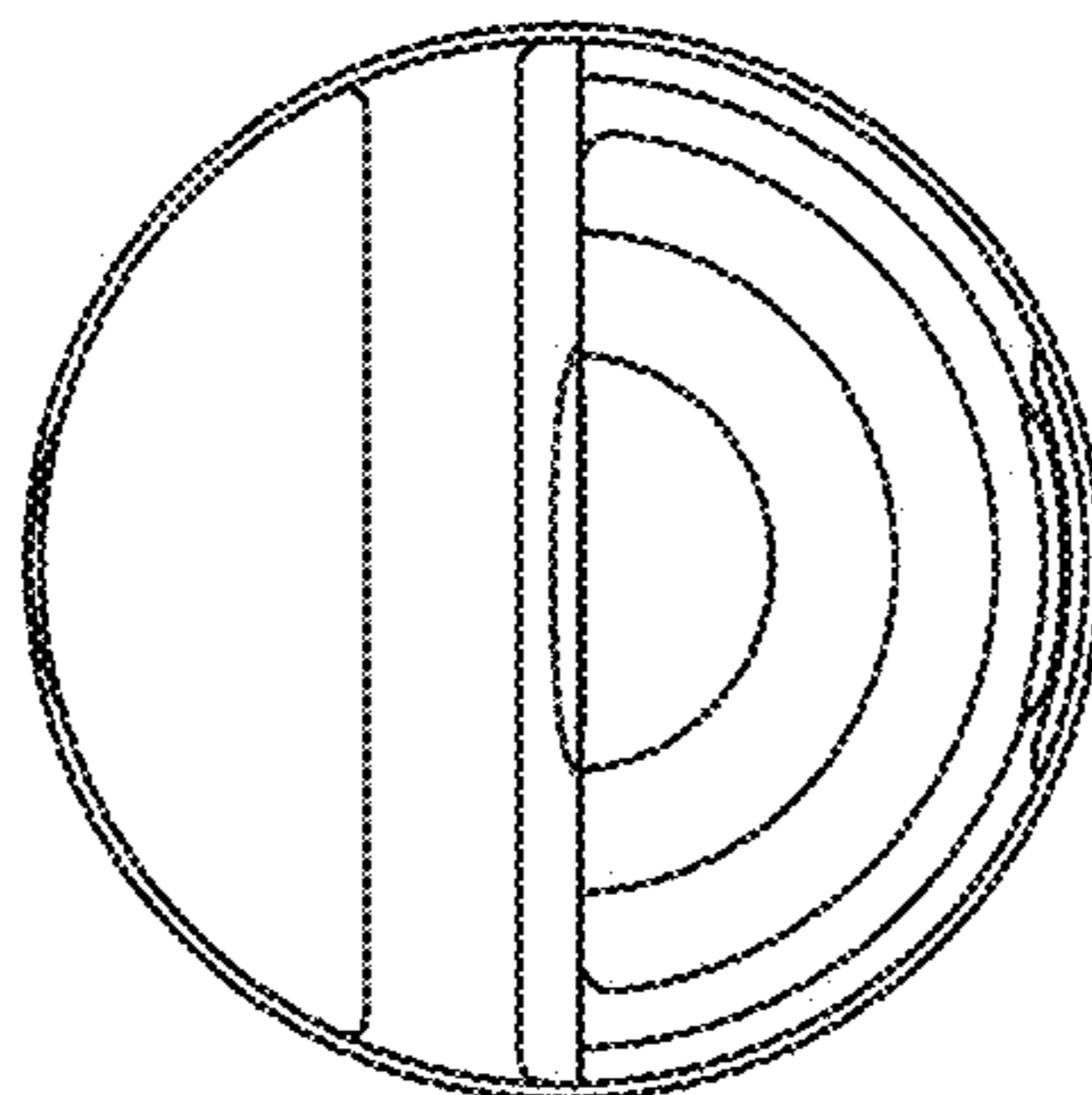


FIG. 10

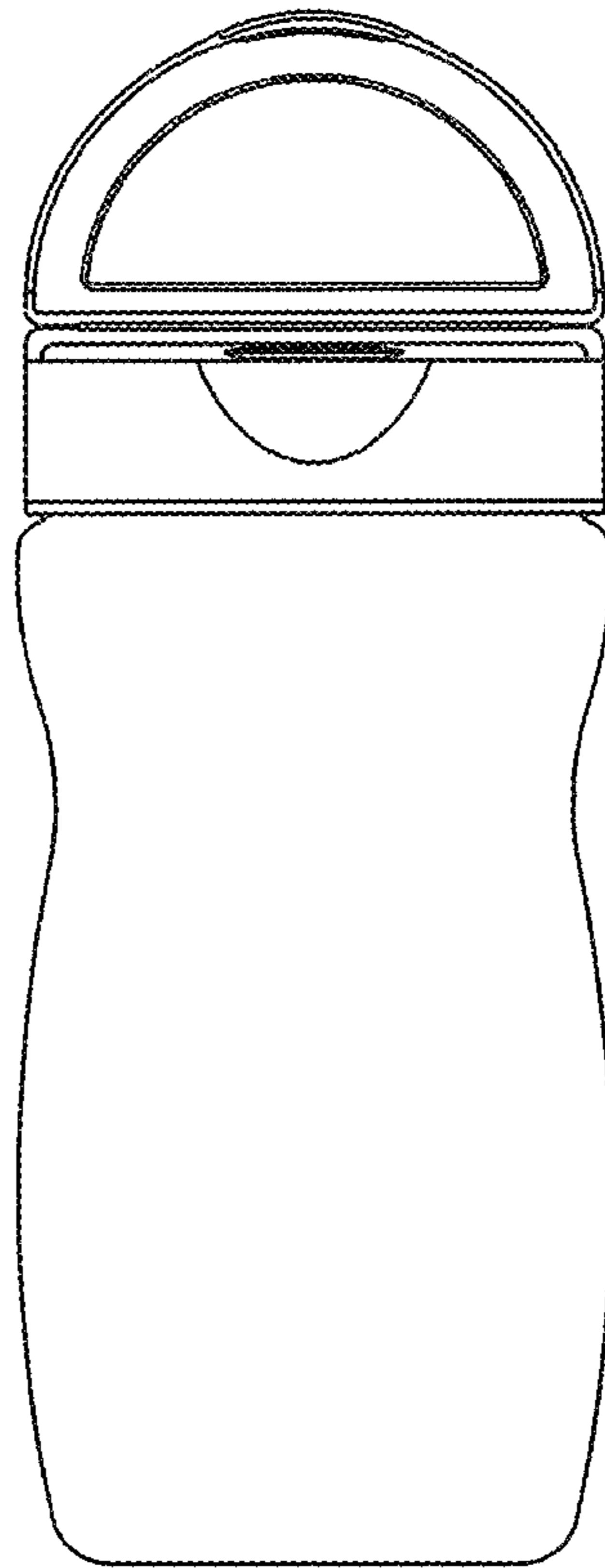


FIG. 11

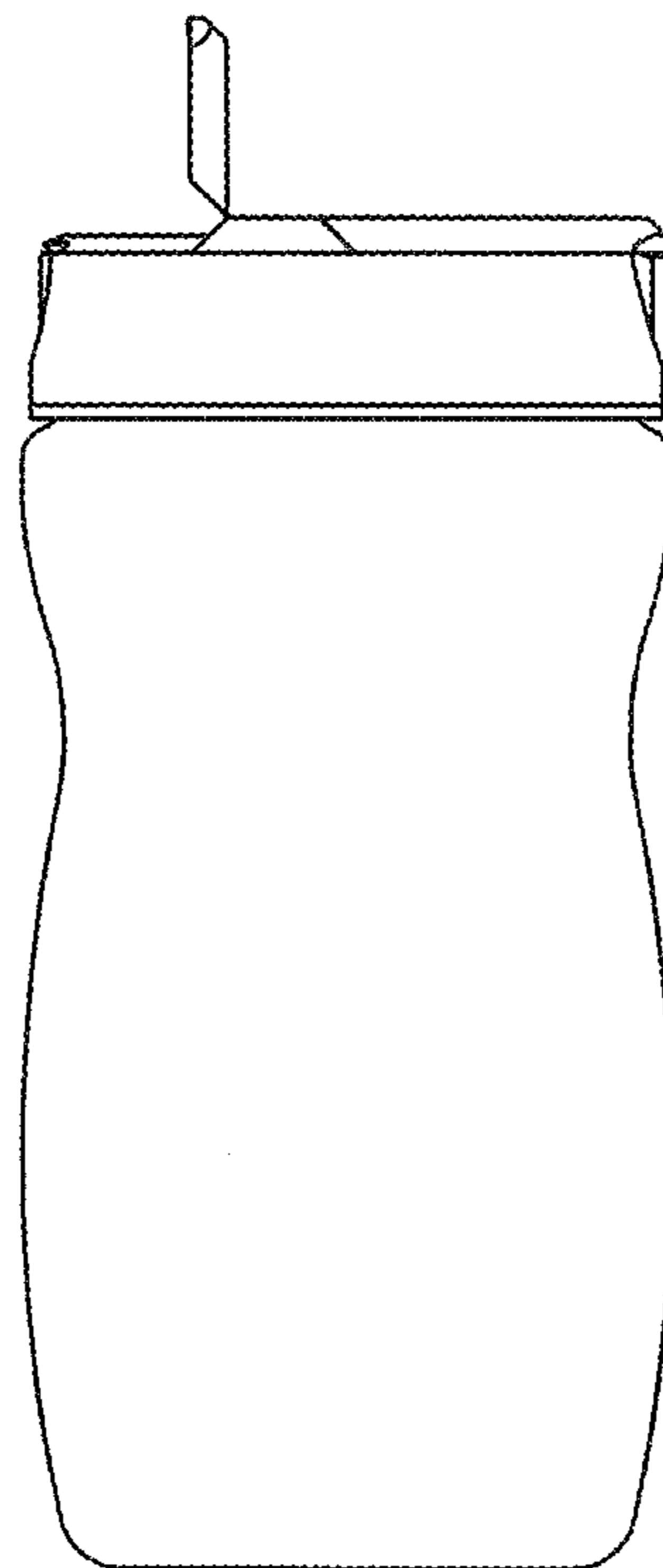




FIG. 12

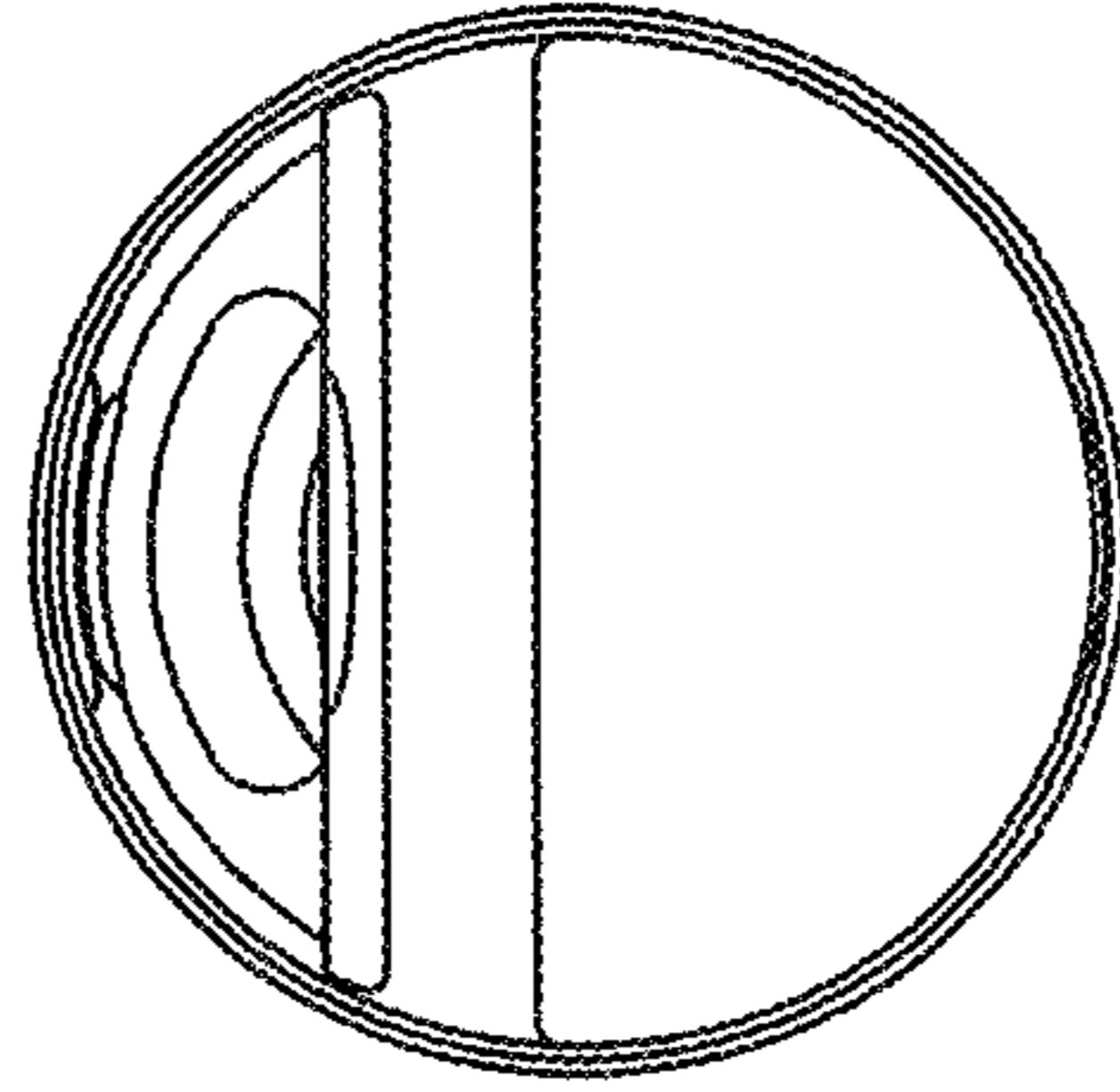


FIG. 13

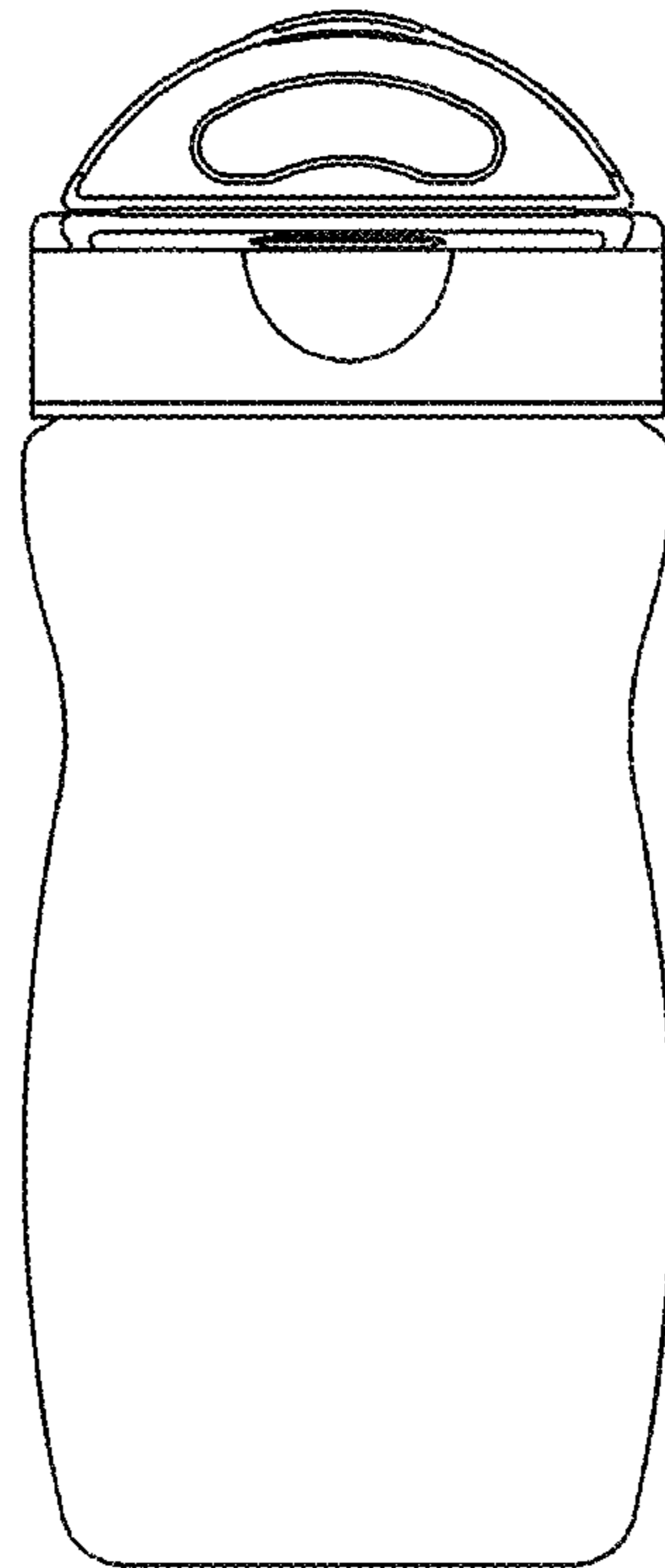


FIG. 14

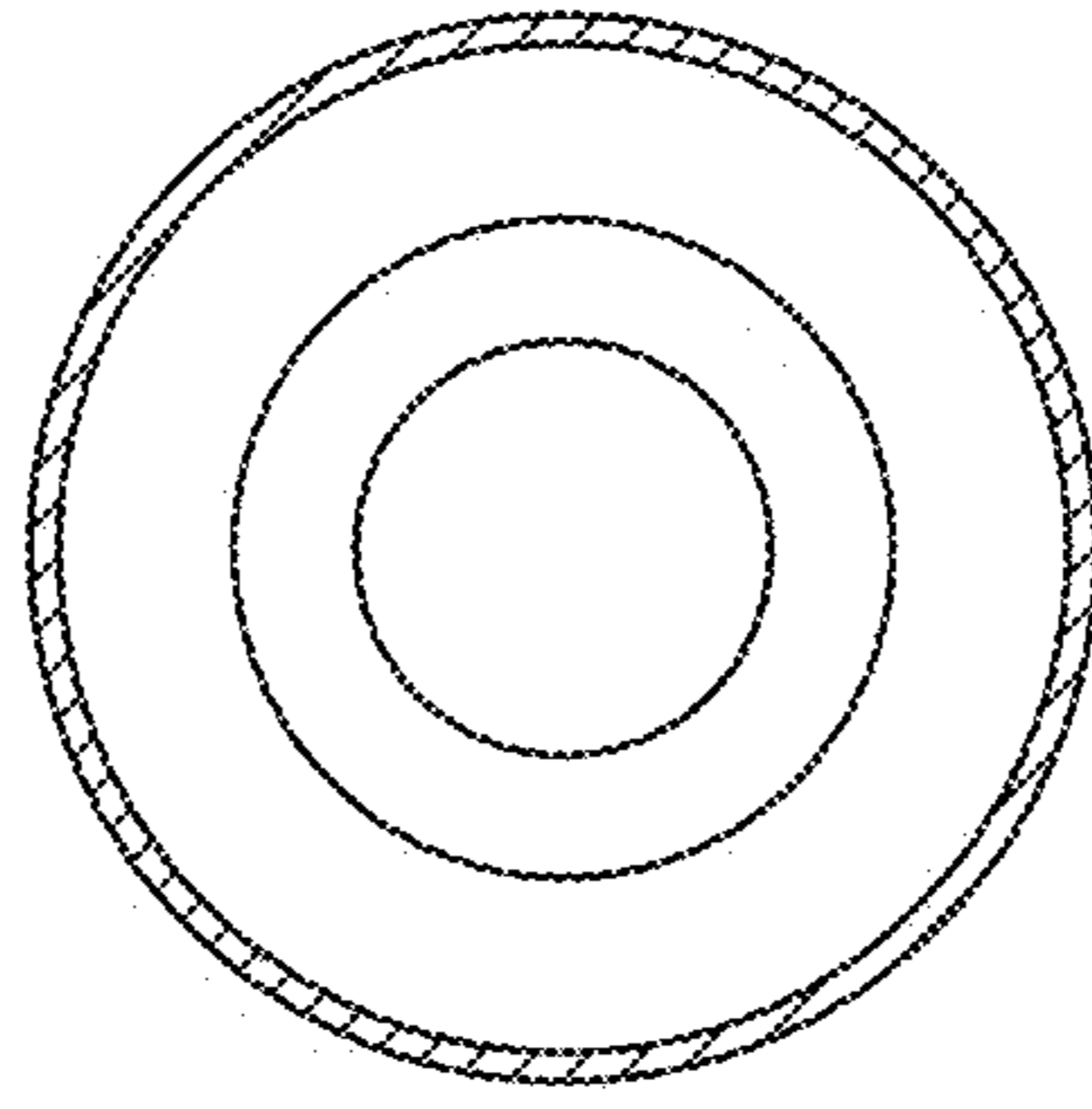


FIG. 15

