



US00D883750S

(12) **United States Design Patent** (10) **Patent No.:** **US D883,750 S**
Chen (45) **Date of Patent:** **** May 12, 2020**

(54) **TEA BOX WITH FRONT DRAWER**

FOREIGN PATENT DOCUMENTS

(71) Applicant: **Xiaona Chen**, Zhangzhou (CN)

CN 301758291 * 12/2011
CN 302296288 * 1/2013

(72) Inventor: **Xiaona Chen**, Zhangzhou (CN)

(Continued)

(*) Notice: Patent file contains an affidavit/declaration under 37 CFR 1.130(b).

OTHER PUBLICATIONS

(**) Term: **15 Years**

Bamboo Tea Box, Oceanstar, homedepot.com, author not listed, published Mar. 20, 2017 per wayback machine © 2000-2019 Home Depot Product Authority, LLC, online, site visited Feb. 6, 2019. Available from Internet, URL: <https://web.archive.org/web/20170320123838/http://www.homedepot.com/p/Oceanstar...> (Year: 2017).*

(21) Appl. No.: **29/632,097**

(22) Filed: **Jan. 5, 2018**

(51) **LOC (12) Cl.** **07-06**

(52) **U.S. Cl.**

USPC **D7/590**

(58) **Field of Classification Search**

USPC D7/590, 597, 600-600.1, 600.3-600.4, D7/602, 614-615, 701, 592, 596, 619.1, D7/704; D6/675, 680.2, 675.1-675.2, D6/675.5, 680-680.1, 680.3, 681, D6/690-691, 667; 211/30, 73-74; D9/747, 751-753, 756-758, 762, D9/759-760, 414-415, 418, 420, 423, D9/430, 432; 206/129, 712, 736; D3/283-284, 286

CPC F16M 11/00; A47K 1/09; A47F 7/0064; A47J 47/02; A47J 47/06; A47J 47/10; B65D 5/5088; B65D 77/0413; A01K 1/0245; A01K 1/0236

See application file for complete search history.

(56) **References Cited**

U.S. PATENT DOCUMENTS

D4,384 S * 10/1870 Fleisher D9/759
D4,841 S * 4/1871 Farmer D6/667
853,383 A * 5/1907 Thoms B65D 5/6697
229/125.11
1,420,444 A * 6/1922 Payne B65D 85/305
217/22

(Continued)

(57) **CLAIM**

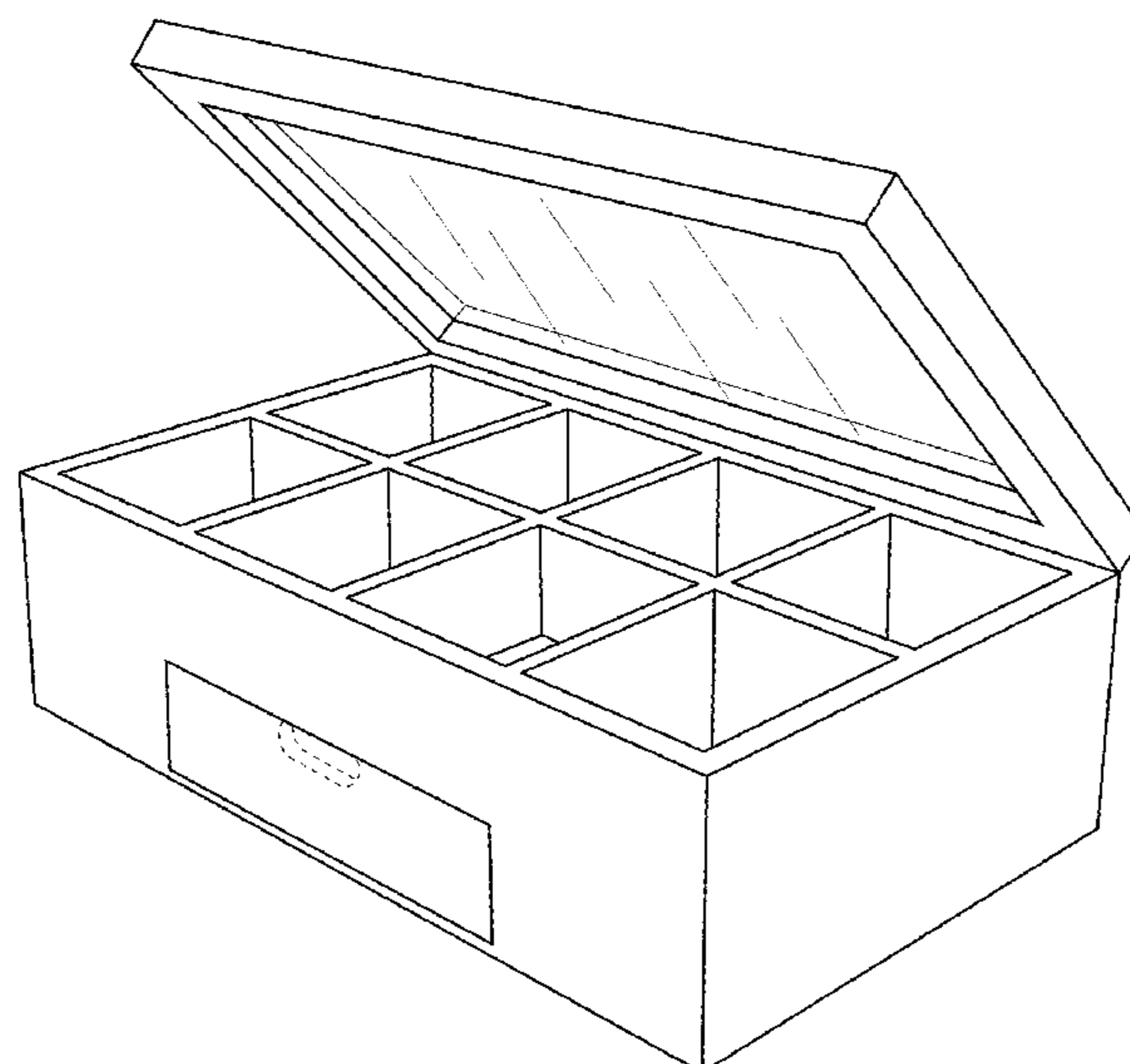
The ornamental design for a tea box with front drawer, as shown and described.

DESCRIPTION

FIG. 1 is a front view of a tea box with front drawer; FIG. 2 is a right side view of the tea box with front drawer, the left side being a mirror image; FIG. 3 is a rear view of the tea box with front drawer; FIG. 4 is a top view of the tea box with front drawer; and, FIG. 5 is a perspective view of the tea box with front drawer. The bottom of the tea box with front drawer is flat and unornamented.

The evenly-spaced broken lines in the drawings depict portions of the tea box with front drawer that form no part of the claimed design. The dot-dash broken lines depict internal boundaries that form no part thereof.

1 Claim, 5 Drawing Sheets



(56)

References Cited

U.S. PATENT DOCUMENTS

1,827,517 A * 10/1931 Hall A01K 1/0236
 312/31.05
 D107,251 S * 11/1937 Noren D9/759
 3,168,192 A * 2/1965 Nicholson B65D 5/5206
 206/45.24
 D241,380 S * 9/1976 Graviner D3/284
 D254,697 S * 4/1980 Forsberg D3/271.1
 D256,522 S * 8/1980 Peterson D3/284
 D258,175 S * 2/1981 Hazeltine D3/284
 D304,008 S * 10/1989 Hornung D7/629
 D370,342 S * 6/1996 Gwyther D3/254
 D375,228 S * 11/1996 Rhodes D7/590
 5,692,605 A * 12/1997 Lai A45C 11/16
 206/566
 D413,726 S * 9/1999 Krajnik D3/254
 5,989,035 A * 11/1999 Okoye G09B 19/02
 206/315.1
 D417,548 S * 12/1999 Craven D3/254
 D423,249 S * 4/2000 Hawang D6/667
 D425,302 S * 5/2000 Fountain, Sr. D3/283
 D440,044 S * 4/2001 Williams D3/284
 D520,746 S * 5/2006 Meyer D3/284
 D577,196 S * 9/2008 Hayden D3/286
 D580,717 S * 11/2008 Witt D3/284
 D584,052 S * 1/2009 Tseng D3/291
 D587,495 S * 3/2009 Levinger D3/295
 D613,522 S * 4/2010 Kanthasamy D6/667
 D712,176 S * 9/2014 Tamilarasan D6/515
 D716,649 S * 11/2014 McAdam D9/418
 D757,434 S * 5/2016 Beilman D28/76
 D766,020 S * 9/2016 Thatcher D6/667
 D793,226 S * 8/2017 Albert D9/423
 D805,815 S * 12/2017 Leonorovitz D6/667

D809,298 S * 2/2018 Zhu D3/294
 D812,463 S * 3/2018 Lee D9/420
 D812,933 S * 3/2018 Leonorovitz D6/667
 D812,934 S * 3/2018 Leonorovitz D6/667
 D814,291 S * 4/2018 Taylor D9/420
 D823,692 S * 7/2018 Greenberg D9/606
 D826,069 S * 8/2018 O'Neill B65D 77/0413
 D9/737
 D831,353 S * 10/2018 Aderinto D3/284
 D836,461 S * 12/2018 Greenberg D9/761
 D839,585 S * 2/2019 Beilman D3/205
 D850,821 S * 6/2019 Pontillas D6/667
 D865,410 S * 11/2019 Johnson D6/667
 10,477,984 B2 * 11/2019 Arnold A47F 7/146
 2011/0266163 A1 * 11/2011 Mostowy A45C 5/02
 206/6.1
 2014/0353177 A1 * 12/2014 Senate A45C 11/16
 206/6.1
 2015/0113846 A1 * 4/2015 Nicholson A47G 1/0616
 40/723

FOREIGN PATENT DOCUMENTS

CN 303414129 * 10/2015
 CN 304166020 * 7/2017
 CN 304971542 * 1/2019

OTHER PUBLICATIONS

Bamboo Tea Box, Bambusi, amazon.com, published by customer with image Dec. 31, 2017 © 1996-2019 Amazon.com, Inc., online, site visited Feb. 8, 2019. Available from Internet, URL: <https://www.amazon.com/Organizer-Bamboo-Small-Drawer-Natural/dp/B0784VKM9M> (Year: 2017).*

* cited by examiner

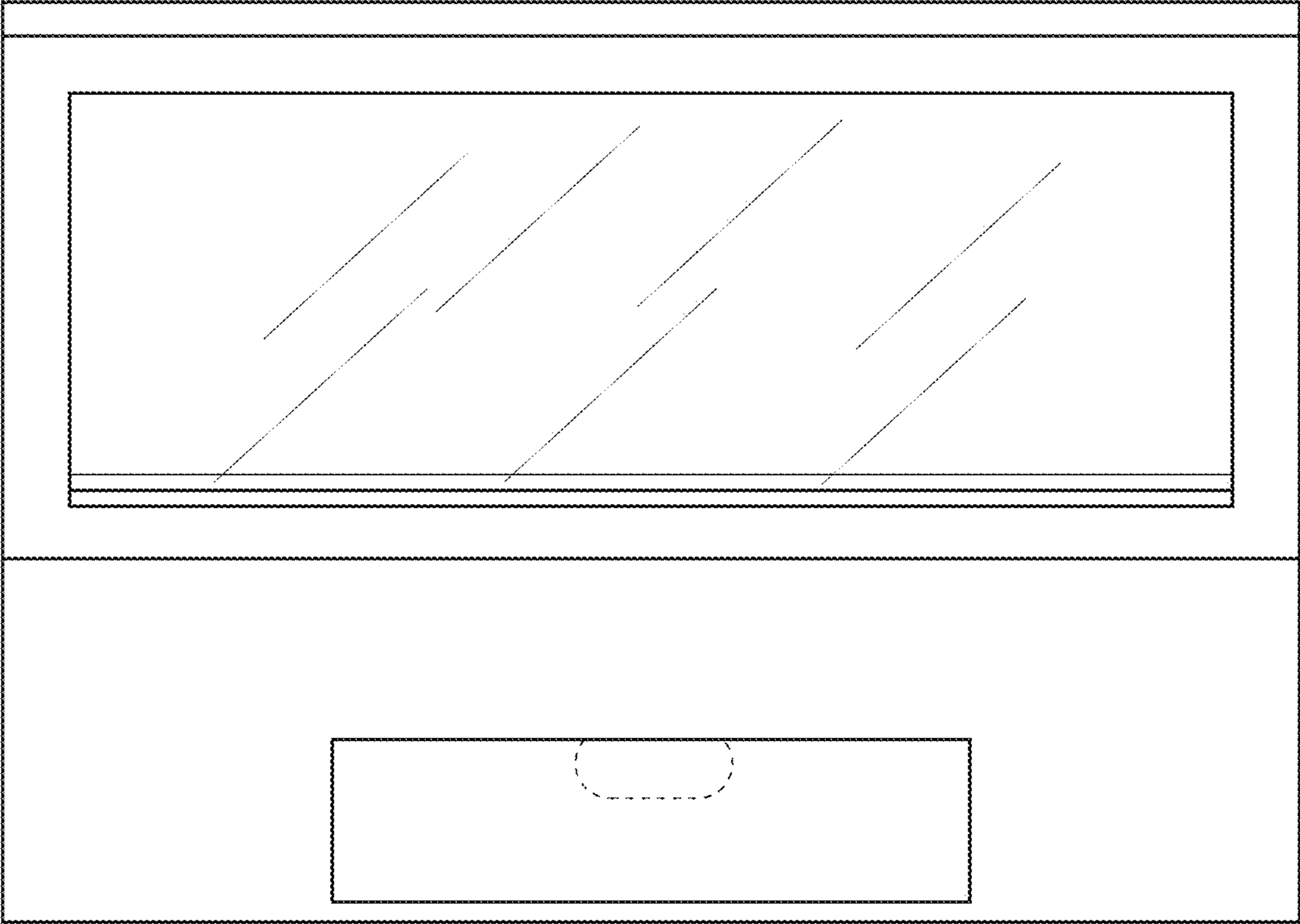


Fig. 1

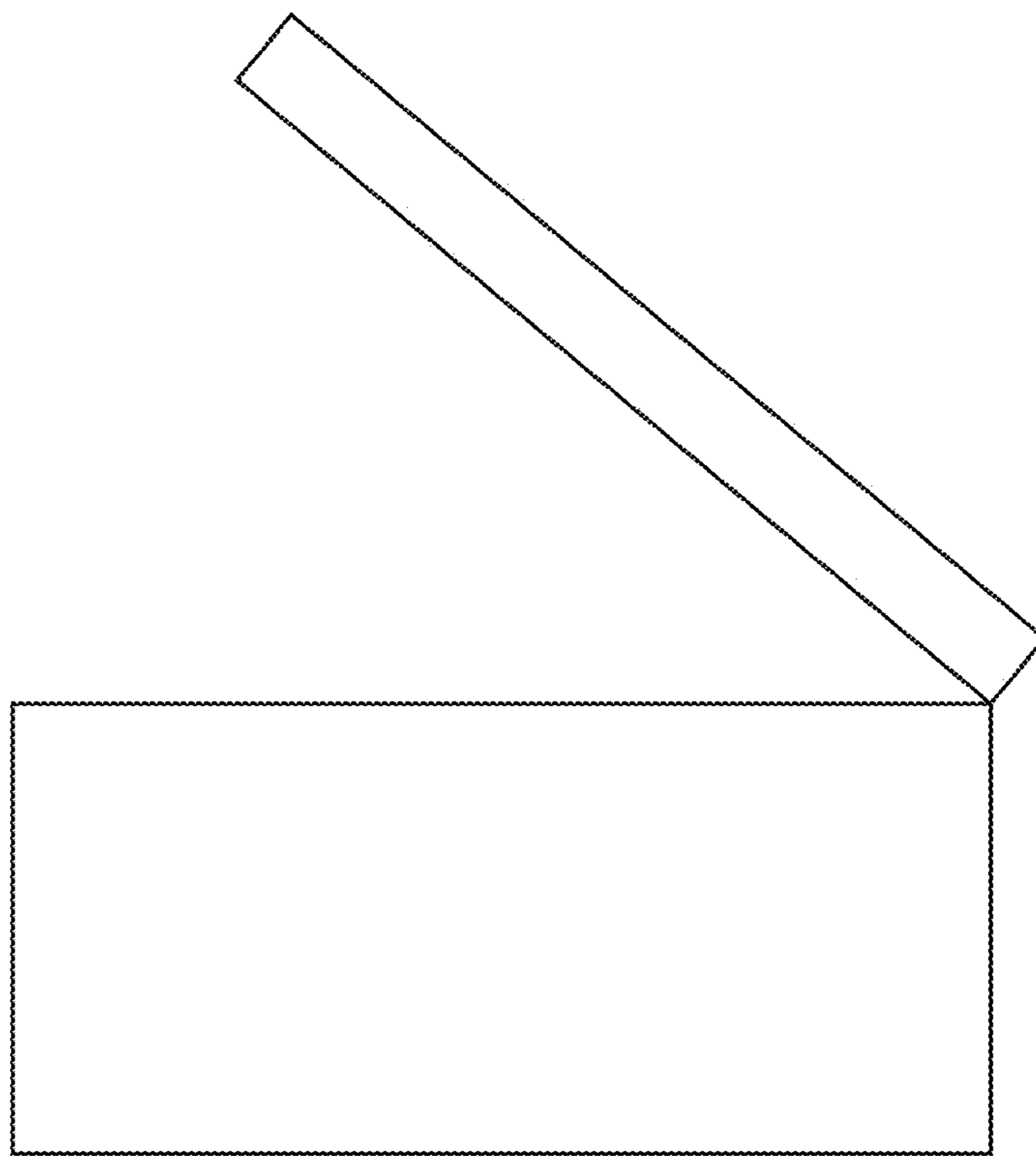


Fig. 2

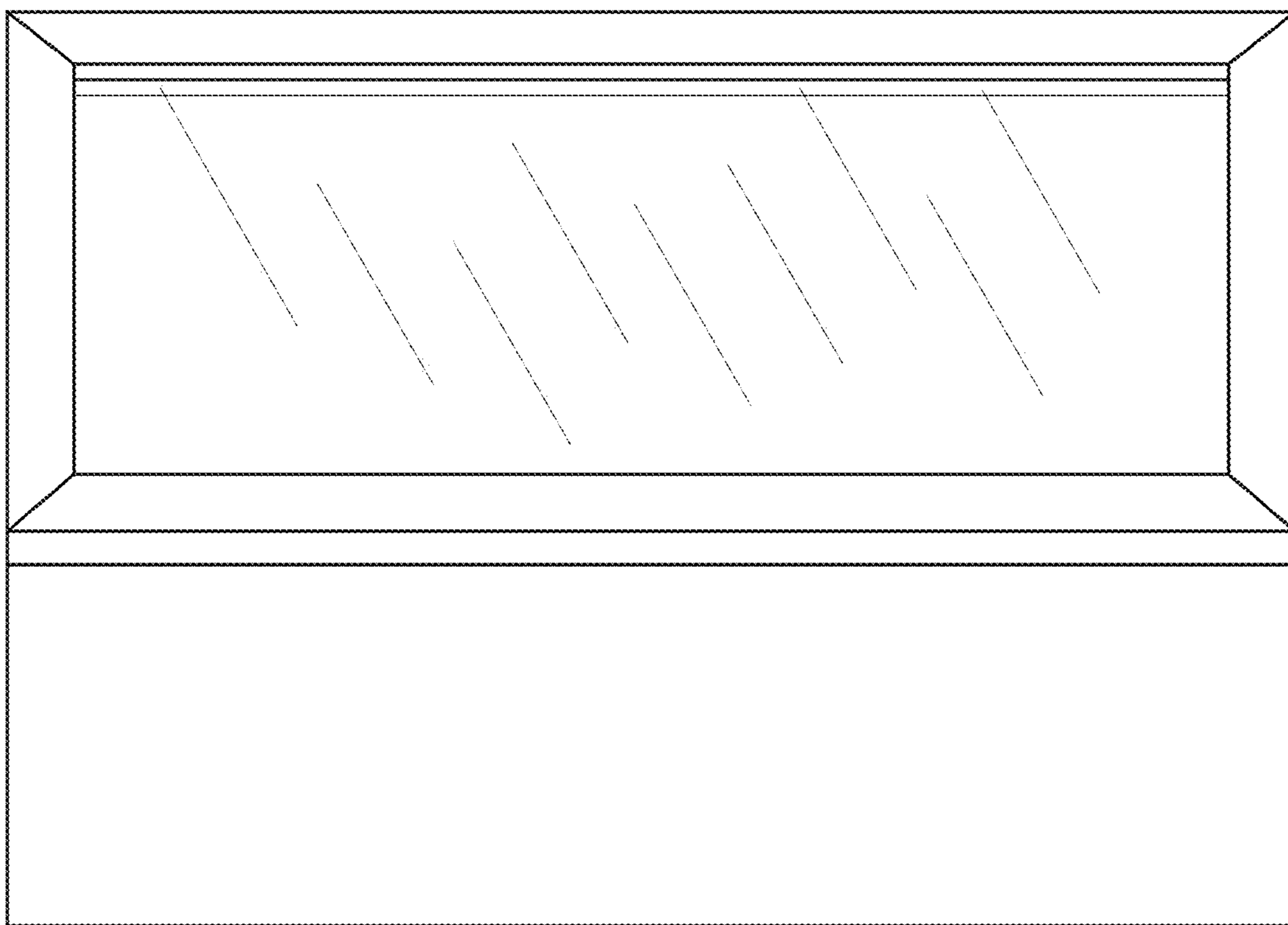


Fig. 3

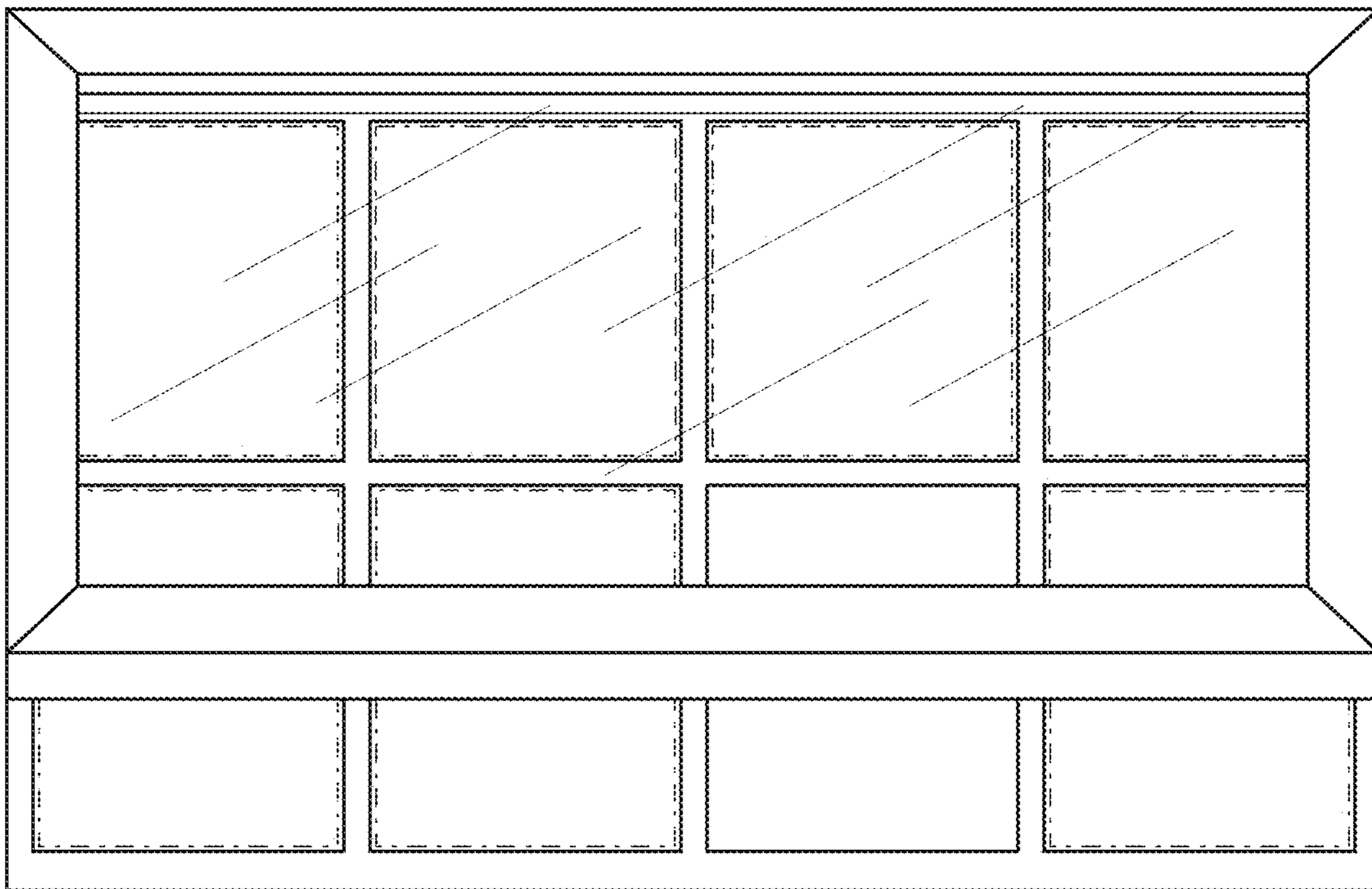


Fig. 4

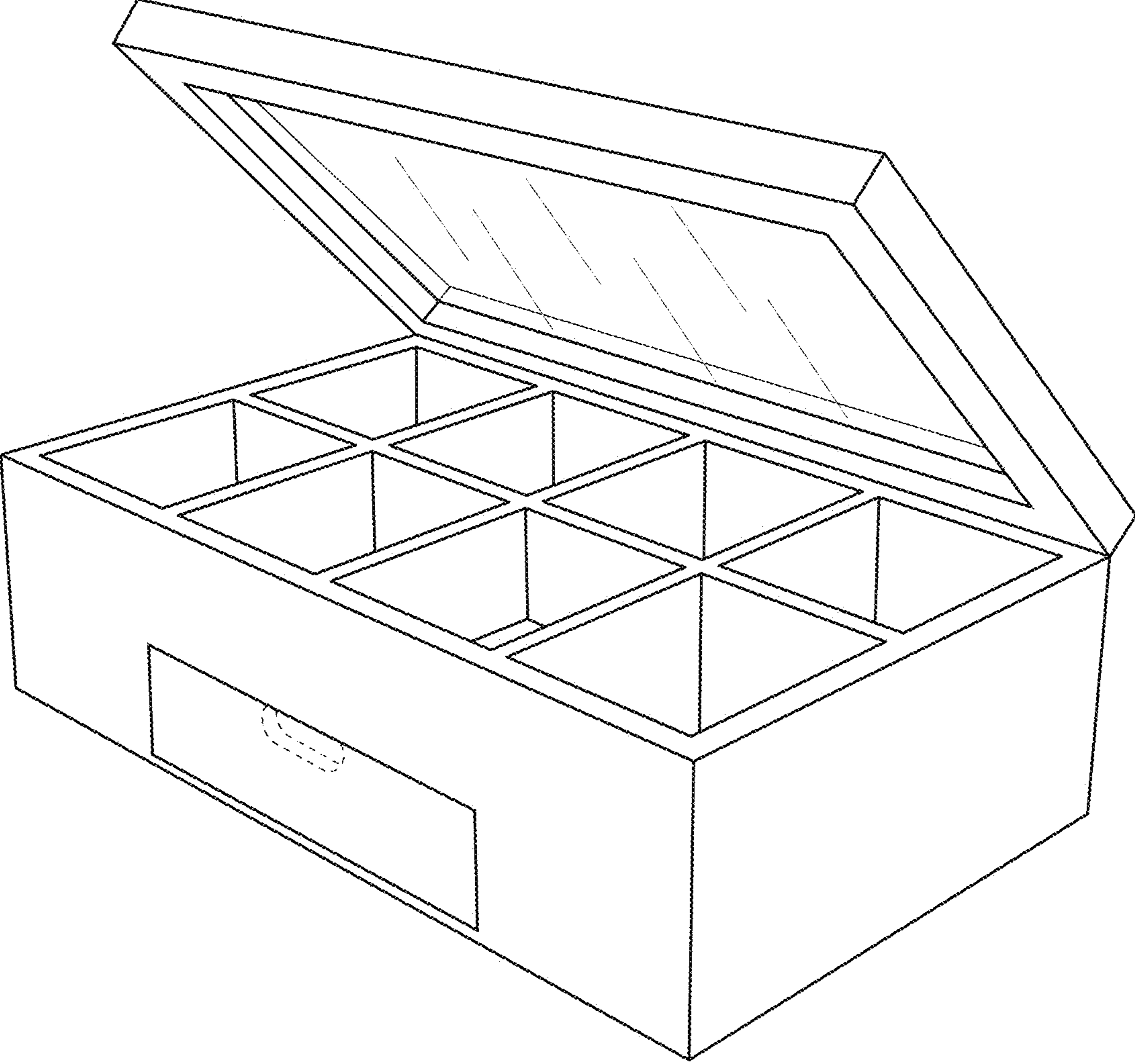


Fig. 5