



US00D883749S

(12) **United States Design Patent**
Pawluskiewicz et al.

(10) **Patent No.:** **US D883,749 S**
(45) **Date of Patent:** **** May 12, 2020**

- (54) **TRAY**
- (71) Applicant: **Spectrum Diversified Designs, LLC**,
Streetsboro, OH (US)
- (72) Inventors: **Jan Pawluskiewicz**, Seattle, WA (US);
Matthew Frank, Seattle, WA (US)
- (73) Assignee: **SPECTRUM DIVERSIFIED**
DESIGNS, LLC, Streetsboro, OH (US)
- (**) Term: **15 Years**
- (21) Appl. No.: **29/665,514**
- (22) Filed: **Oct. 4, 2018**
- (51) **LOC (12) Cl.** **07-01**
- (52) **U.S. Cl.**
USPC **D7/554.3**
- (58) **Field of Classification Search**
USPC D7/550.1, 552.2, 553.2, 553.5, 554.3,
D7/601-602, 397, 401.1; D9/415, 418,
D9/759-761; D28/61, 73
CPC B65D 1/243; B65D 2501/24019; B65D
2501/24165; B65D 11/18; B65D 85/30
See application file for complete search history.

- D686,498 S * 7/2013 Rego D9/456
- D702,483 S * 4/2014 Green D7/354
- D809,848 S * 2/2018 Mirchandani D7/354
- D820,629 S * 6/2018 Lum D7/354
- D871,156 S * 12/2019 Veldkamp D7/554.3

OTHER PUBLICATIONS

William Sonoma BBQ Marinade Tray | Williams Sonoma California web page, https://www.williams-sonoma.com/products/williams-sonoma-bbq-marinade-tray/?pkey=e%7Cbbq%2Btray%7C1%7Cbest%7C0%7C1%7C24%7C%7C1&cm_src=PRODUCTSEARCH, dated: Oct. 3, 2018, 2 pages.

Grill Prep Trays, Set of 2 | Williams Sonoma California web page, https://www.williams-sonoma.com/products/grill-prep-trays/?cm_src=AutoSchRel, dated: Oct. 3, 2018, 2 pages.

* cited by examiner

Primary Examiner — Kelley A Donnelly
(74) *Attorney, Agent, or Firm* — Tucker Ellis LLP

(57) **CLAIM**

The ornamental design for a tray, as shown and described.

DESCRIPTION

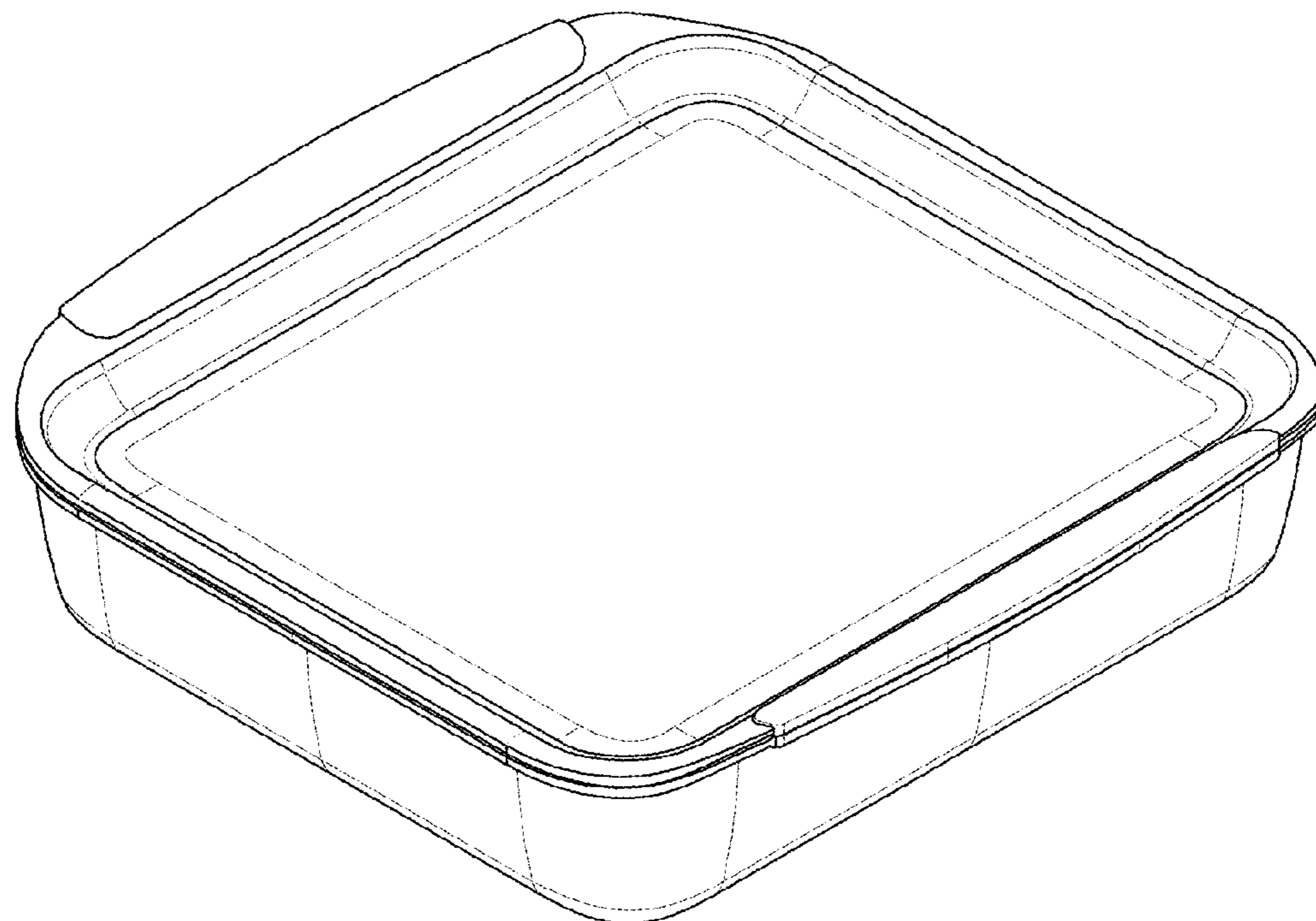
FIG. 1 is a perspective view of a tray showing our new design.
FIG. 2 is a top view thereof.
FIG. 3 is a bottom view thereof.
FIG. 4 is a front view thereof; a rear view being the same as the front view; and,
FIG. 5 is a left side view thereof; a right side view being the same as the left side view.

1 Claim, 4 Drawing Sheets

(56) **References Cited**

U.S. PATENT DOCUMENTS

- D288,396 S * 2/1987 Ritman D7/554.3
- D405,646 S * 2/1999 Indekeu D28/73
- D434,606 S * 12/2000 Reames D7/552.1
- D472,428 S * 4/2003 Massaloux D7/554.3
- D493,670 S * 8/2004 De Neubourg D7/554.3
- D565,905 S * 4/2008 Valderrama D7/500
- D581,203 S * 11/2008 Simon D7/354



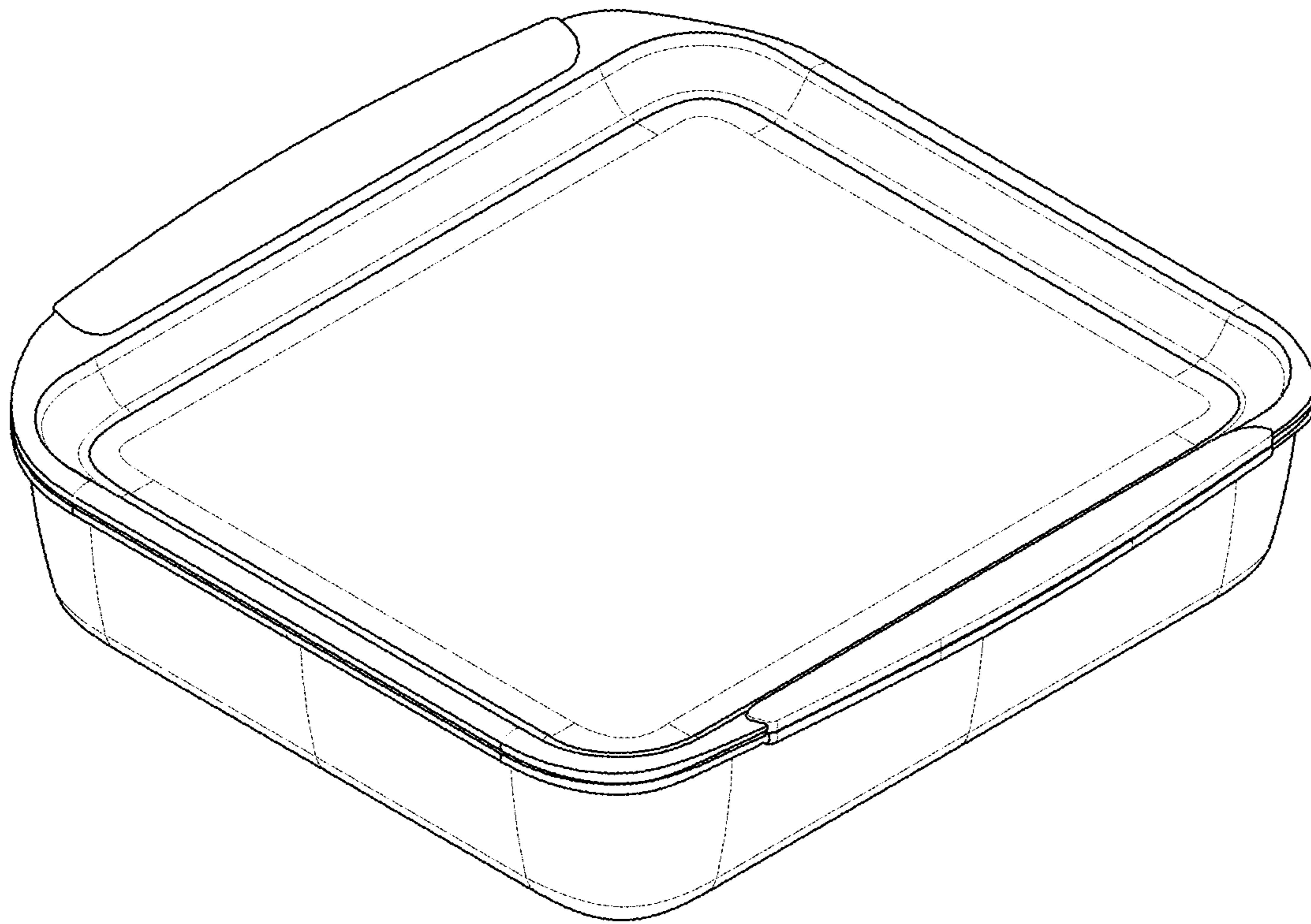


FIG. 1

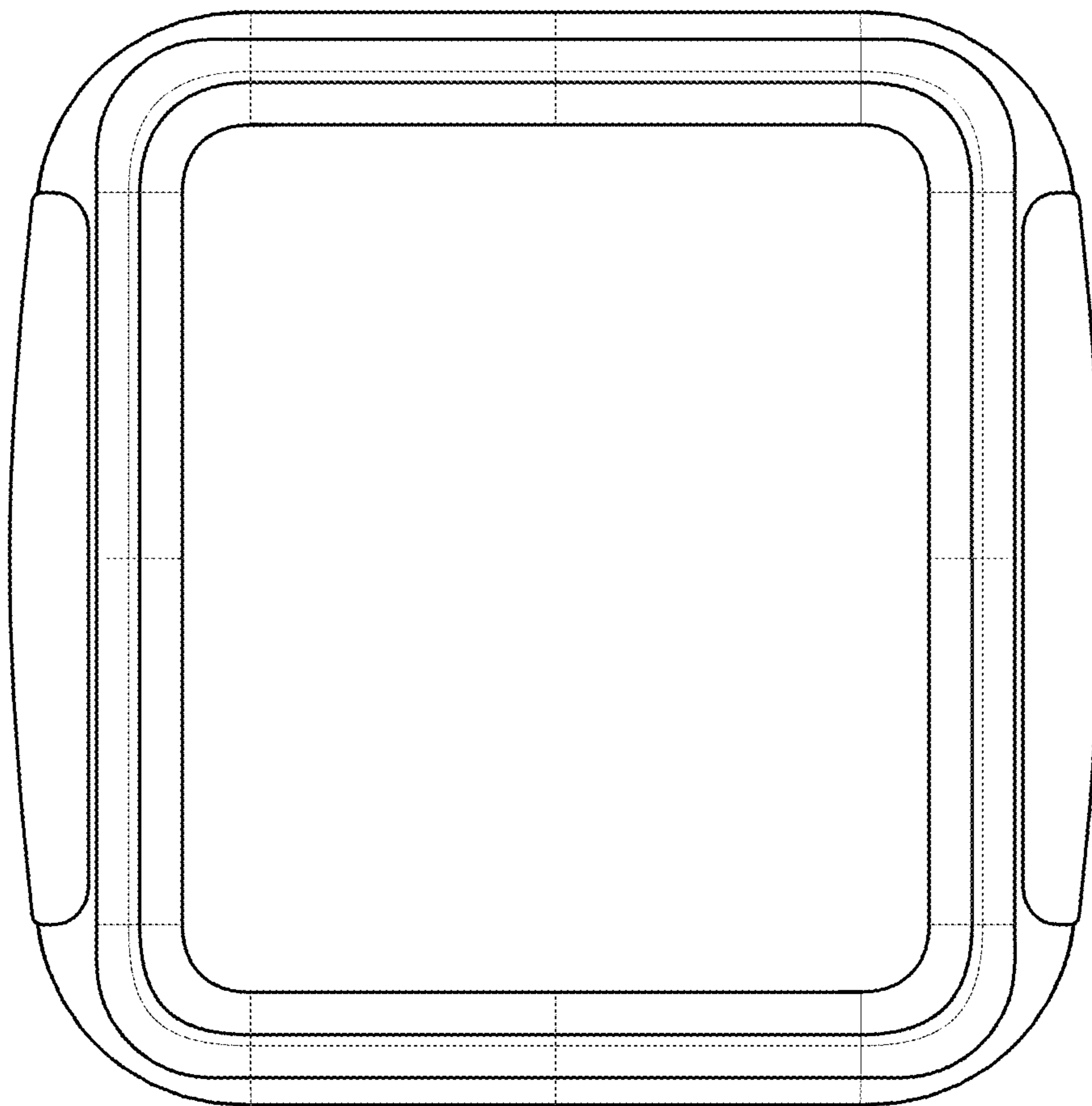


FIG. 2

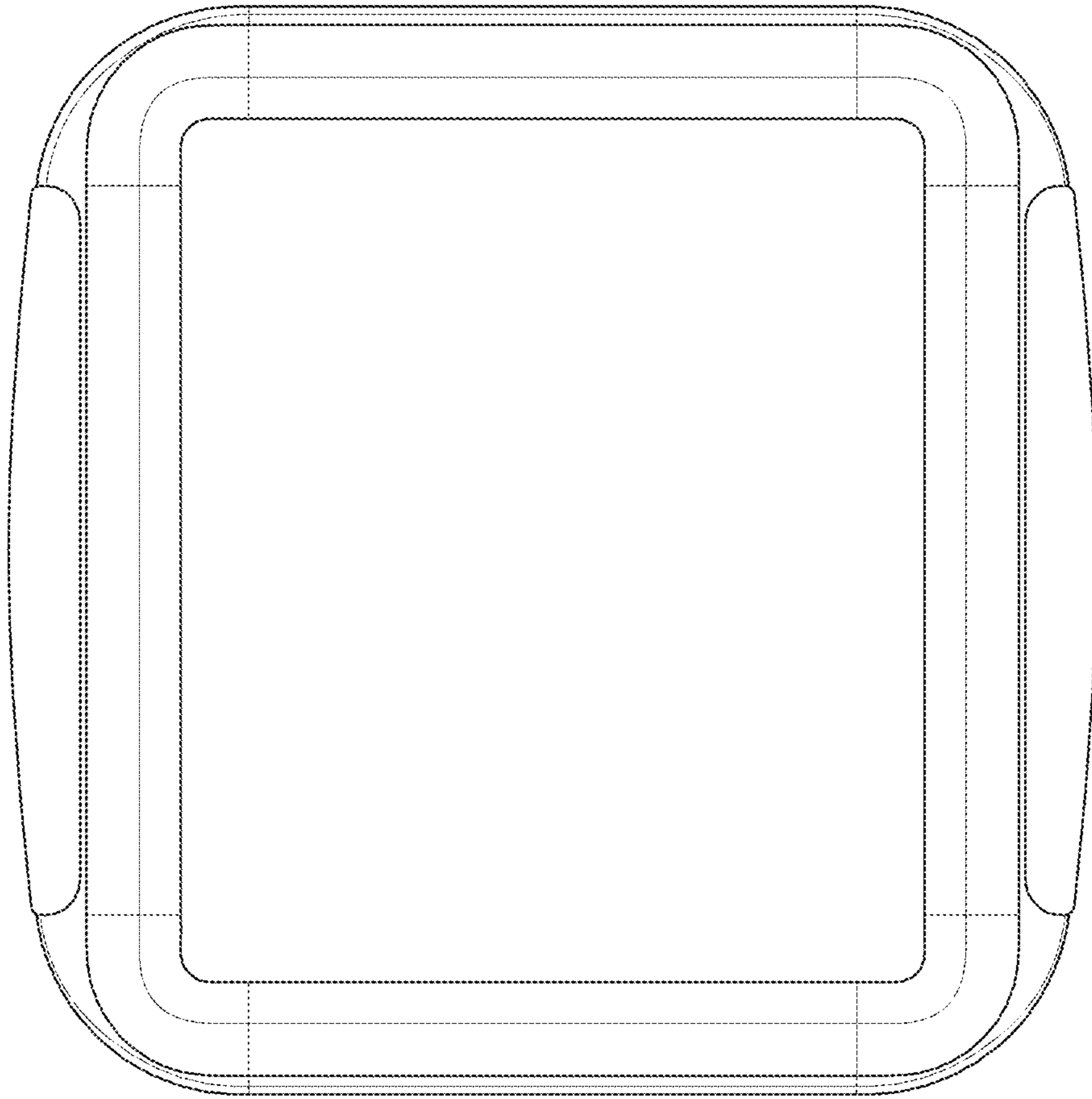


FIG. 3

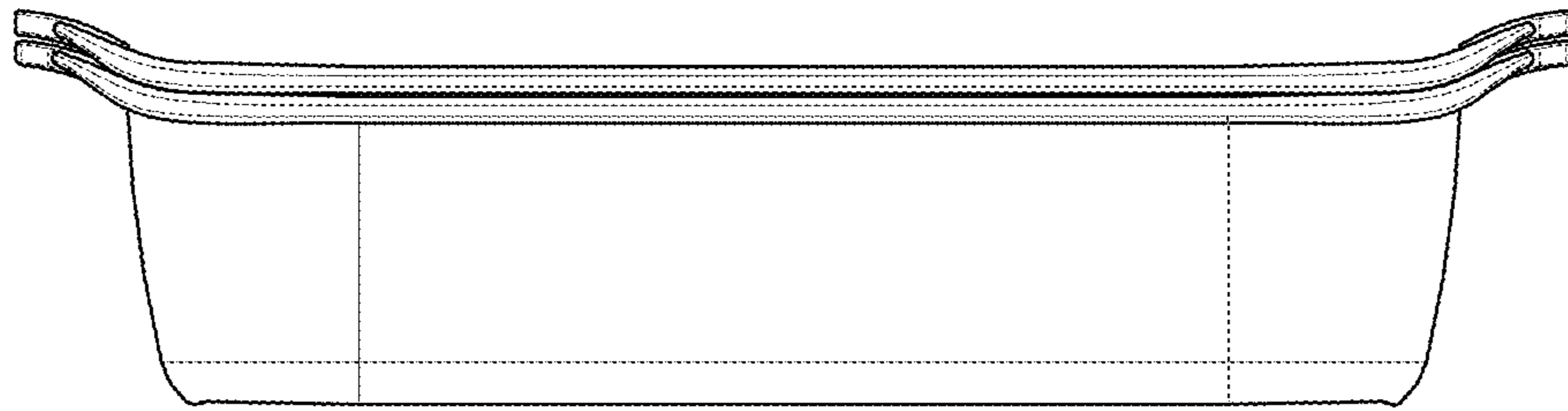


FIG. 4

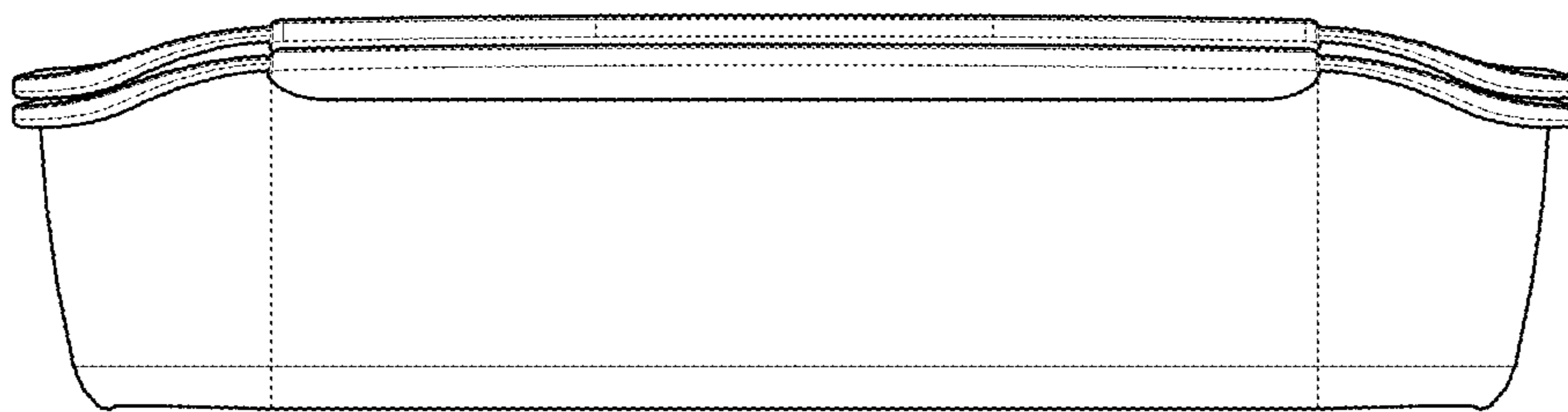


FIG. 5