



US00D883745S

(12) **United States Design Patent** (10) **Patent No.:** **US D883,745 S**
He (45) **Date of Patent:** **** May 12, 2020**

(54) **TACO RACK**

(71) Applicant: **Shujie He**, Jieyang (CN)

(72) Inventor: **Shujie He**, Jieyang (CN)

(**) Term: **15 Years**

(21) Appl. No.: **29/711,984**

(22) Filed: **Nov. 5, 2019**

(51) **LOC (12) Cl.** **07-01**

(52) **U.S. Cl.**
USPC **D7/504; D7/701**

(58) **Field of Classification Search**
USPC D7/504, 500, 566, 570, 586, 587, 590,
D7/600.1-600.4, 601, 602, 403, 701,
D7/553.1, 553.2; D30/133, 130;
D24/227; D6/682.2
CPC A47G 2019/306; A47G 19/30; A47G
21/001; A47G 23/06; A47J 37/01
See application file for complete search history.

(56) **References Cited**

U.S. PATENT DOCUMENTS

D171,758 S *	3/1954	Henning	D7/590
3,586,173 A *	6/1971	Reynolds	A47G 19/30 211/73
D275,256 S *	8/1984	Gilliam	D7/504
D289,587 S *	5/1987	Levine	D6/682.2
D291,269 S *	8/1987	Richards	D7/504
D320,909 S *	10/1991	Szablak	D30/133
D334,867 S *	4/1993	May	D7/504
D335,425 S *	5/1993	Shular	D7/504
5,487,330 A *	1/1996	Mooney	A21B 3/15 D7/504
D446,092 S *	8/2001	Cautereels	D7/701
D499,607 S *	12/2004	Lyon	D7/504

(Continued)

OTHER PUBLICATIONS

Prepara Multiple Taco Holder, Aug. 6, 2018, Amazon, <https://www.amazon.com/Prepara-Multiple-Taco-Holder-Blue/dp/B07G7RQL1J?th=1> (Year: 2018).*

(Continued)

Primary Examiner — Brett Miller

(74) *Attorney, Agent, or Firm* — HYIP

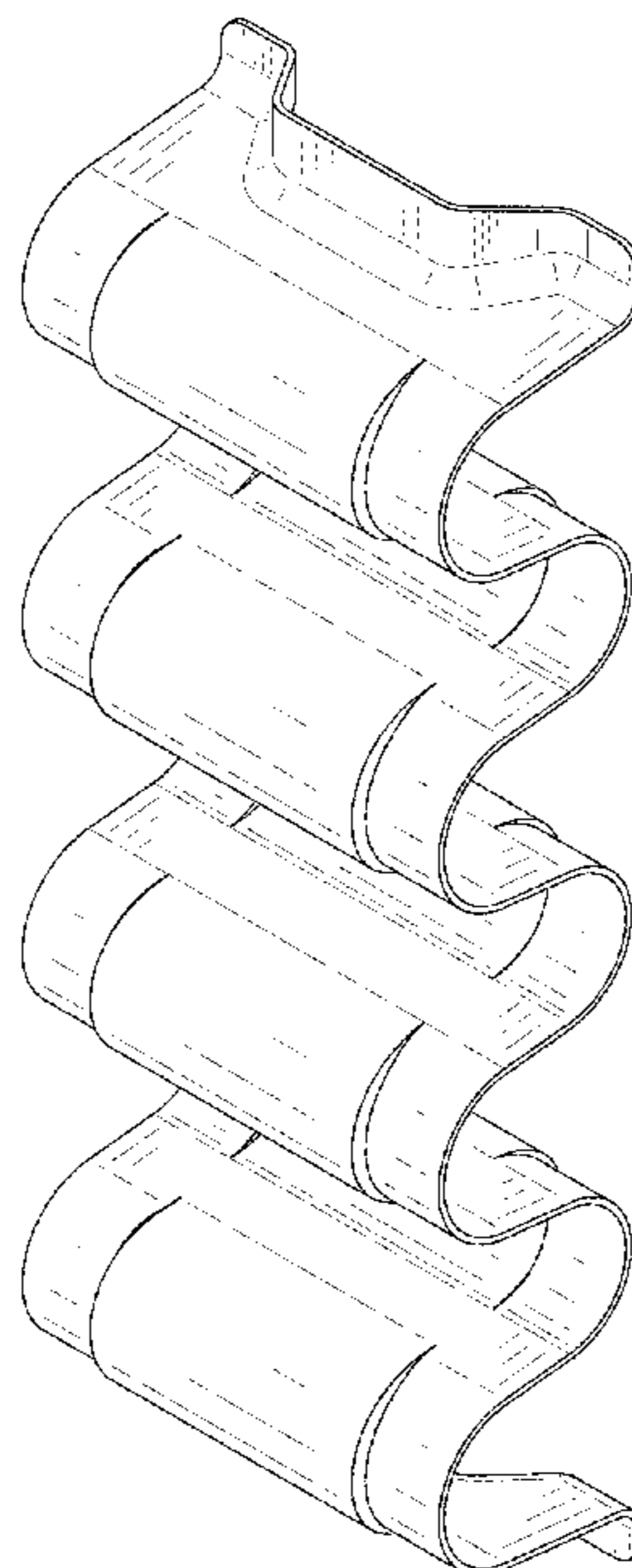
(57) **CLAIM**

The ornamental design for a taco rack, as shown and described.

DESCRIPTION

FIG. 1 is a first perspective view of a first embodiment of a taco rack showing my new design;
 FIG. 2 is a second perspective view of the first embodiment thereof;
 FIG. 3 is a front view of the first embodiment thereof;
 FIG. 4 is a back view of the first embodiment thereof;
 FIG. 5 is a left side view of the first embodiment thereof;
 FIG. 6 is a right side view of the first embodiment thereof;
 FIG. 7 is a top view of the first embodiment thereof;
 FIG. 8 is a bottom view of the first embodiment thereof;
 FIG. 9 is a first perspective view of a second embodiment of a taco rack showing my new design;
 FIG. 10 is a second perspective view of the second embodiment thereof;
 FIG. 11 is a front view of the second embodiment thereof;
 FIG. 12 is a back view of the second embodiment thereof;
 FIG. 13 is a left side view of the second embodiment thereof;
 FIG. 14 is a right side view of the second embodiment thereof;
 FIG. 15 is a top view of the second embodiment thereof;
 and,
 FIG. 16 is a bottom view of the second embodiment thereof.

1 Claim, 16 Drawing Sheets



(56)

References Cited

U.S. PATENT DOCUMENTS

D539,090 S * 3/2007 Schullek D7/504
7,258,246 B2 * 8/2007 Tingley A47J 37/01
206/558
D569,655 S * 5/2008 Williams D6/682.2
D620,752 S 8/2010 Daniels
D625,887 S * 10/2010 Becattini, Jr. D30/130
D638,670 S * 5/2011 Breitenmoser D7/701
D644,877 S 9/2011 Hester
D670,560 S * 11/2012 Amend D9/456
D732,897 S * 6/2015 Clark D7/553.2
D793,812 S * 8/2017 Dennis D7/553.2
D818,316 S 5/2018 Disraeli
D875,326 S * 2/2020 Gevaert D30/130
2010/0107984 A1 * 5/2010 Uffner A01K 5/0114
119/61.5

OTHER PUBLICATIONS

SimpleStainless Premium Taco Holder Stands, Mar. 6, 2018, Amazon, https://www.amazon.com/Premium-Taco-Holder-Stands-SimpleStainless/dp/B07B8TB9WQ/ref=sr_1_1?keywords=SimpleStainless&qid=1584976286&sr=8-1 (Year: 2018).*

* cited by examiner

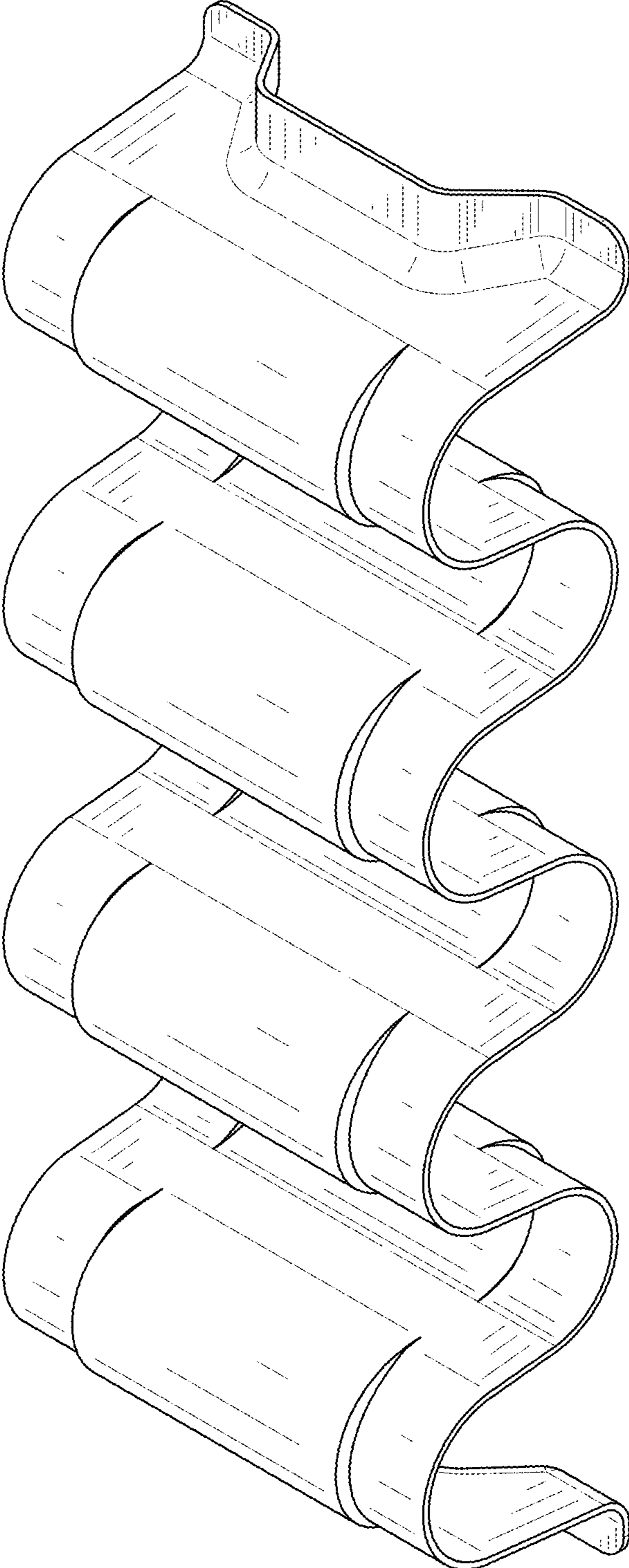


FIG. 1

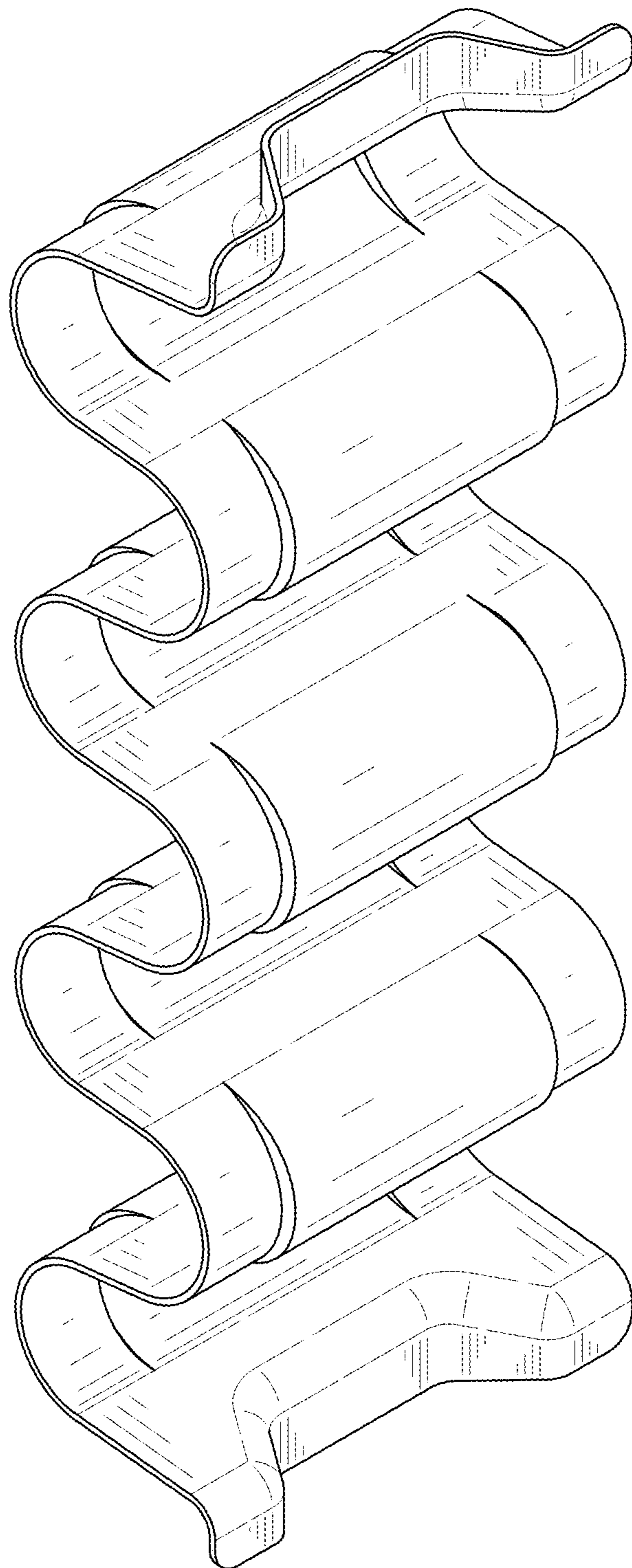


FIG. 2

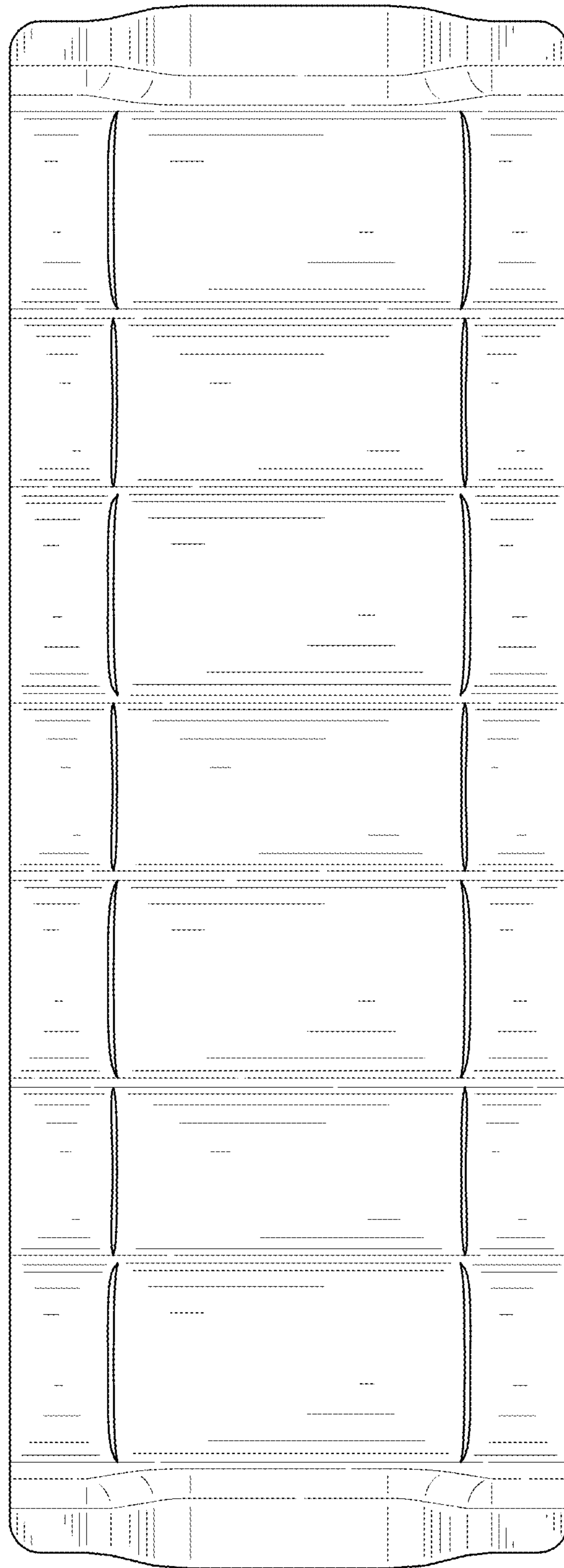


FIG. 3

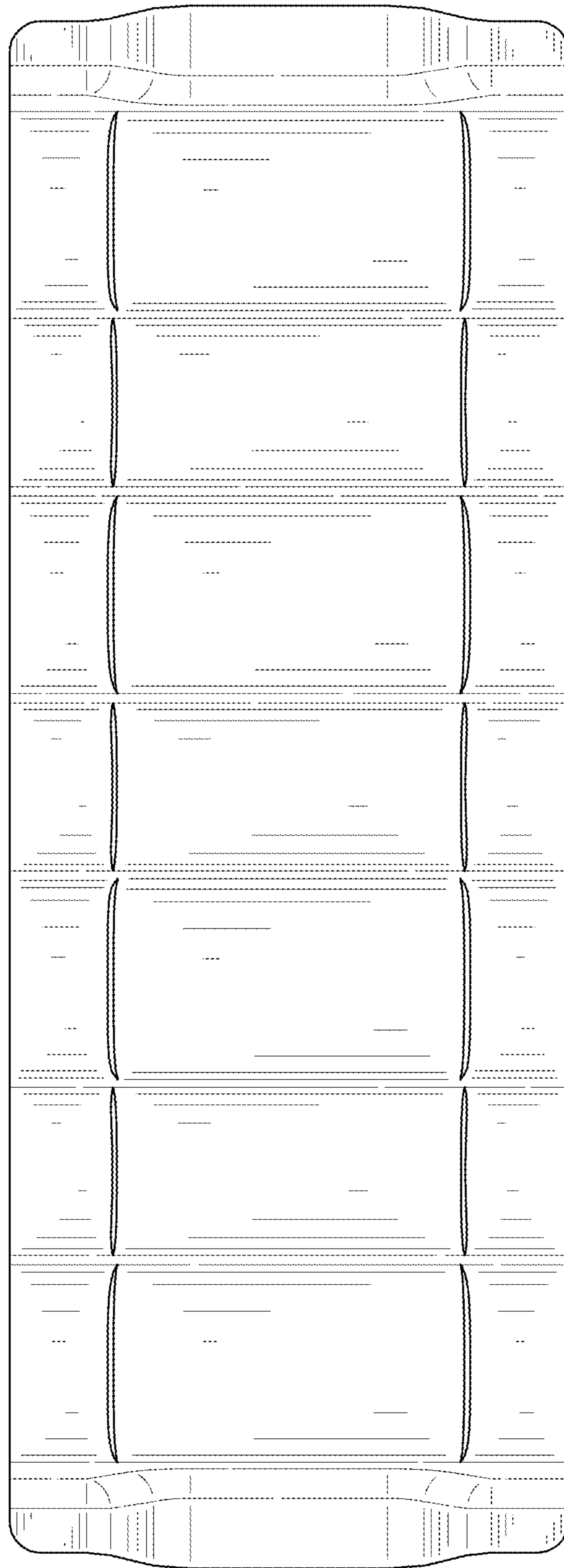


FIG. 4

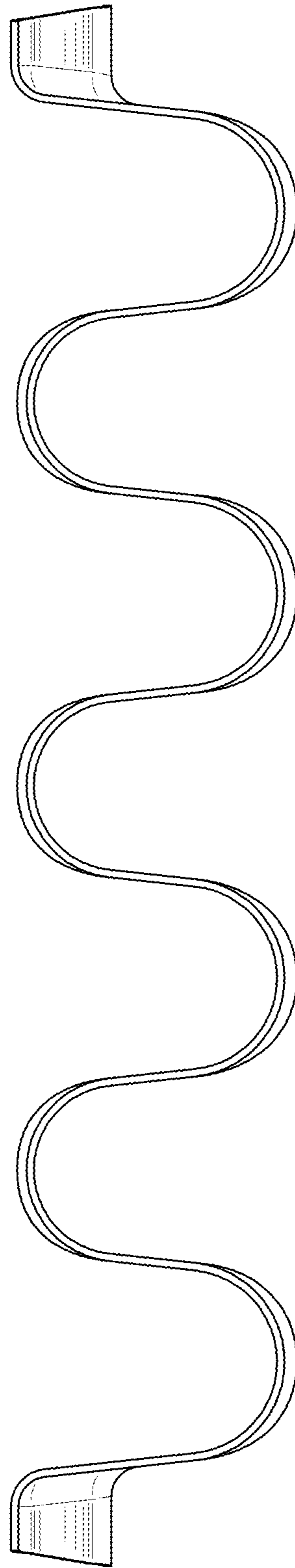


FIG. 5

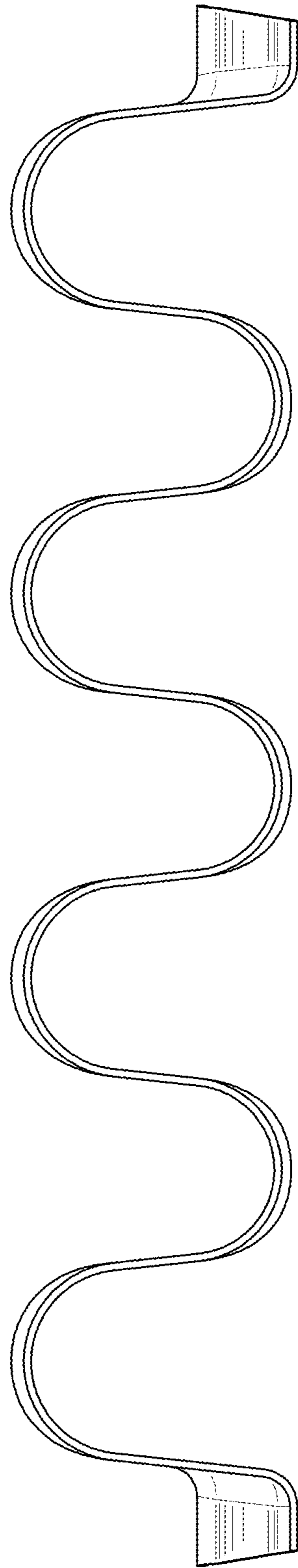


FIG. 6

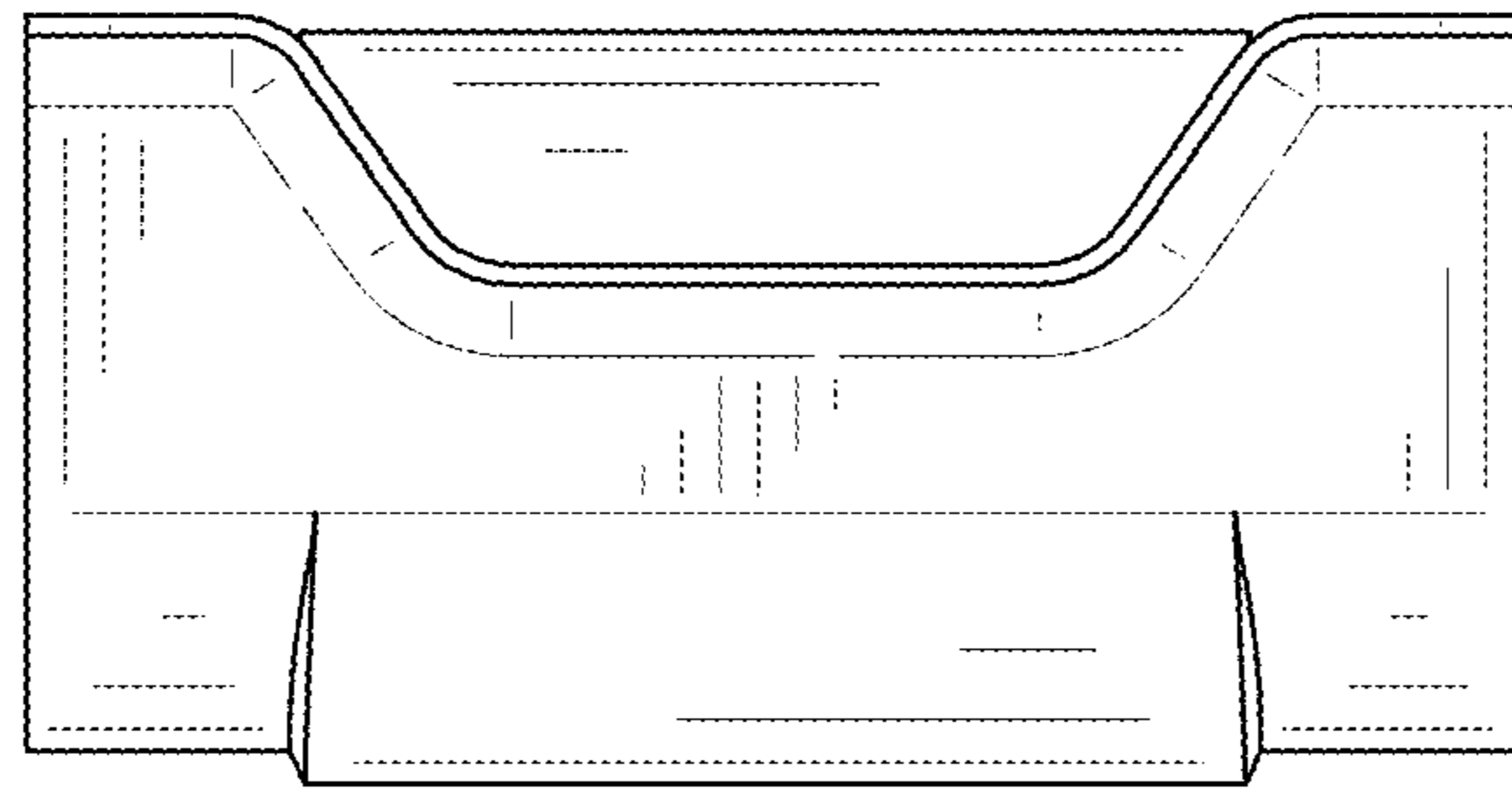


FIG. 7

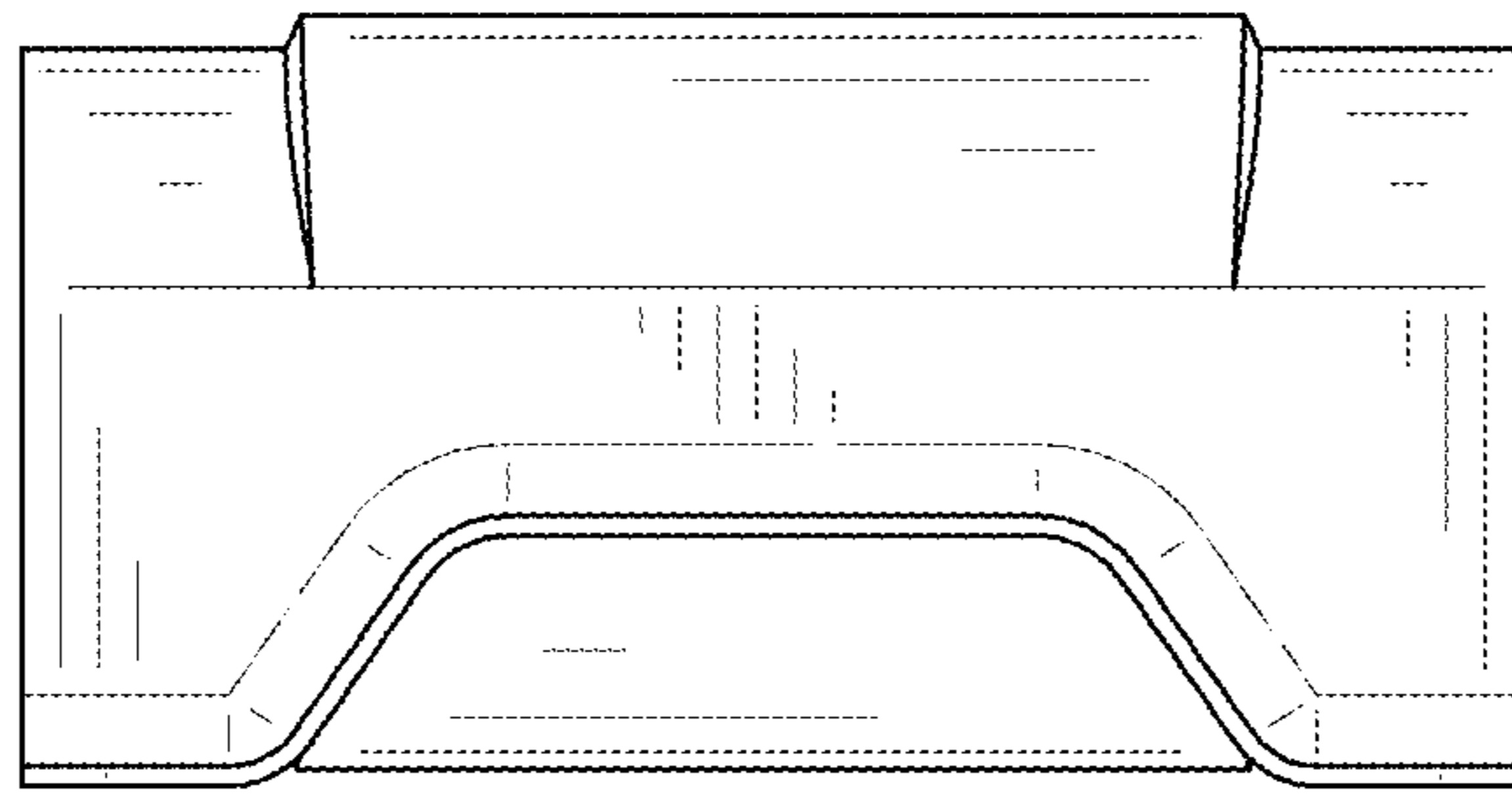


FIG. 8

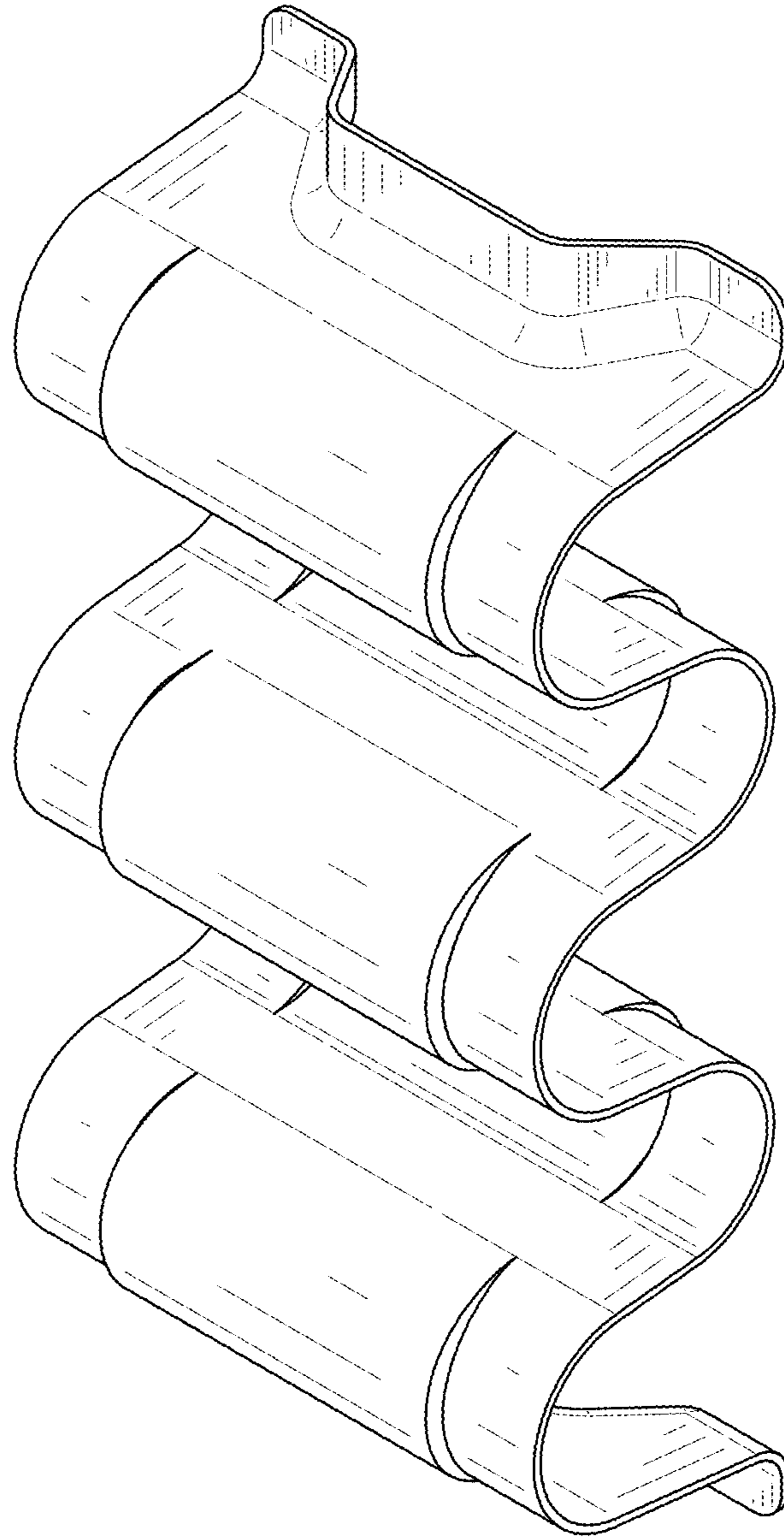


FIG. 9

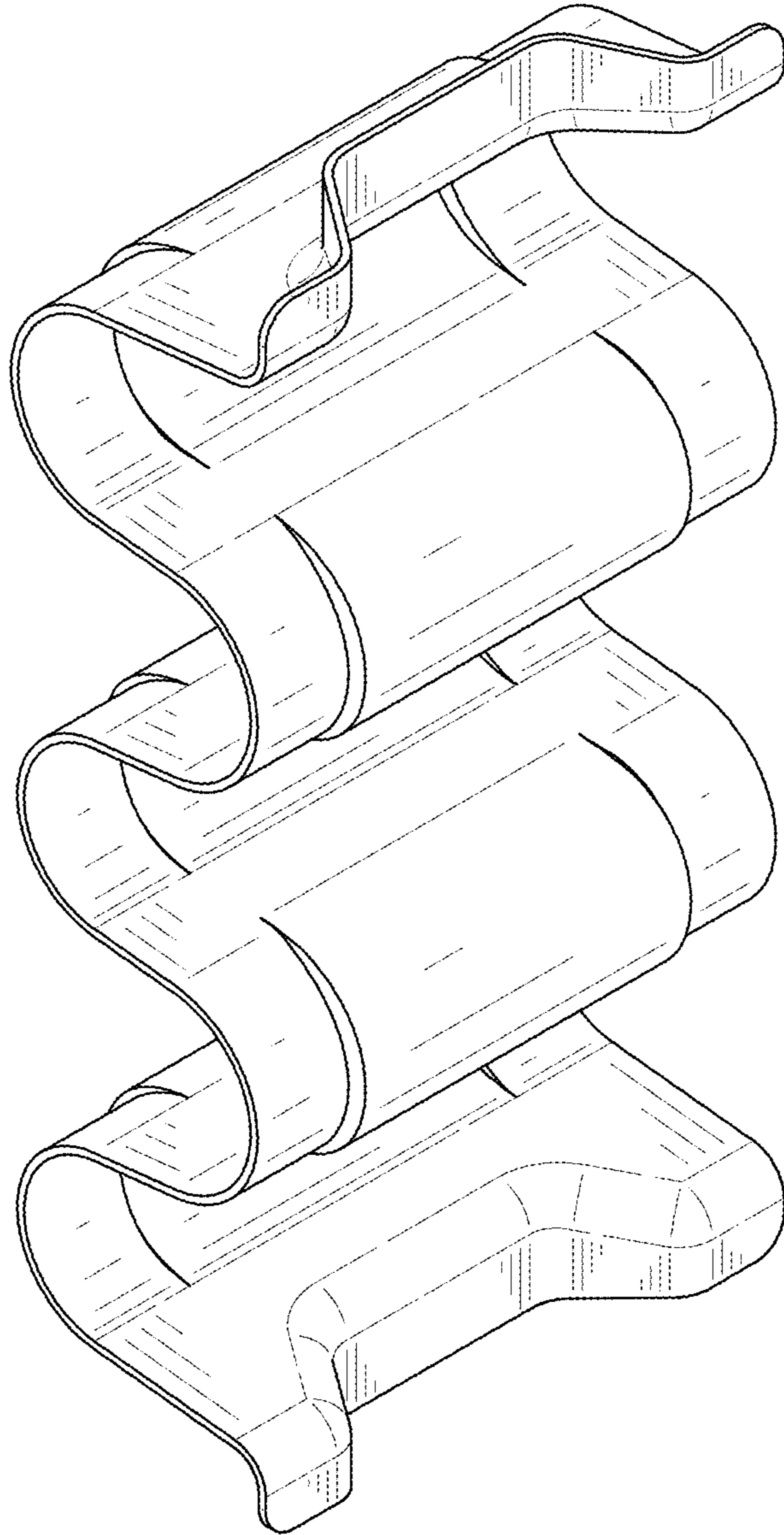


FIG. 10

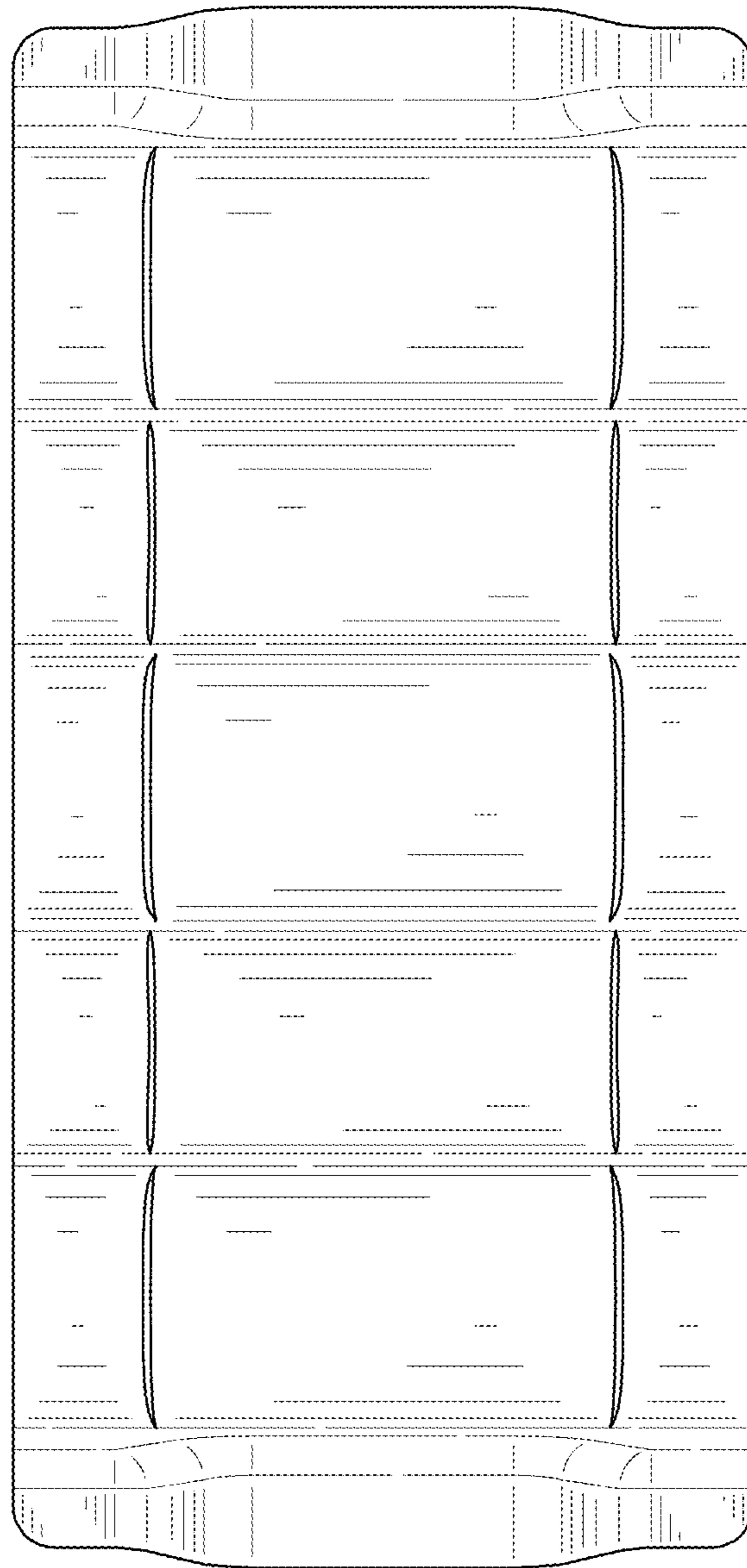


FIG. 11

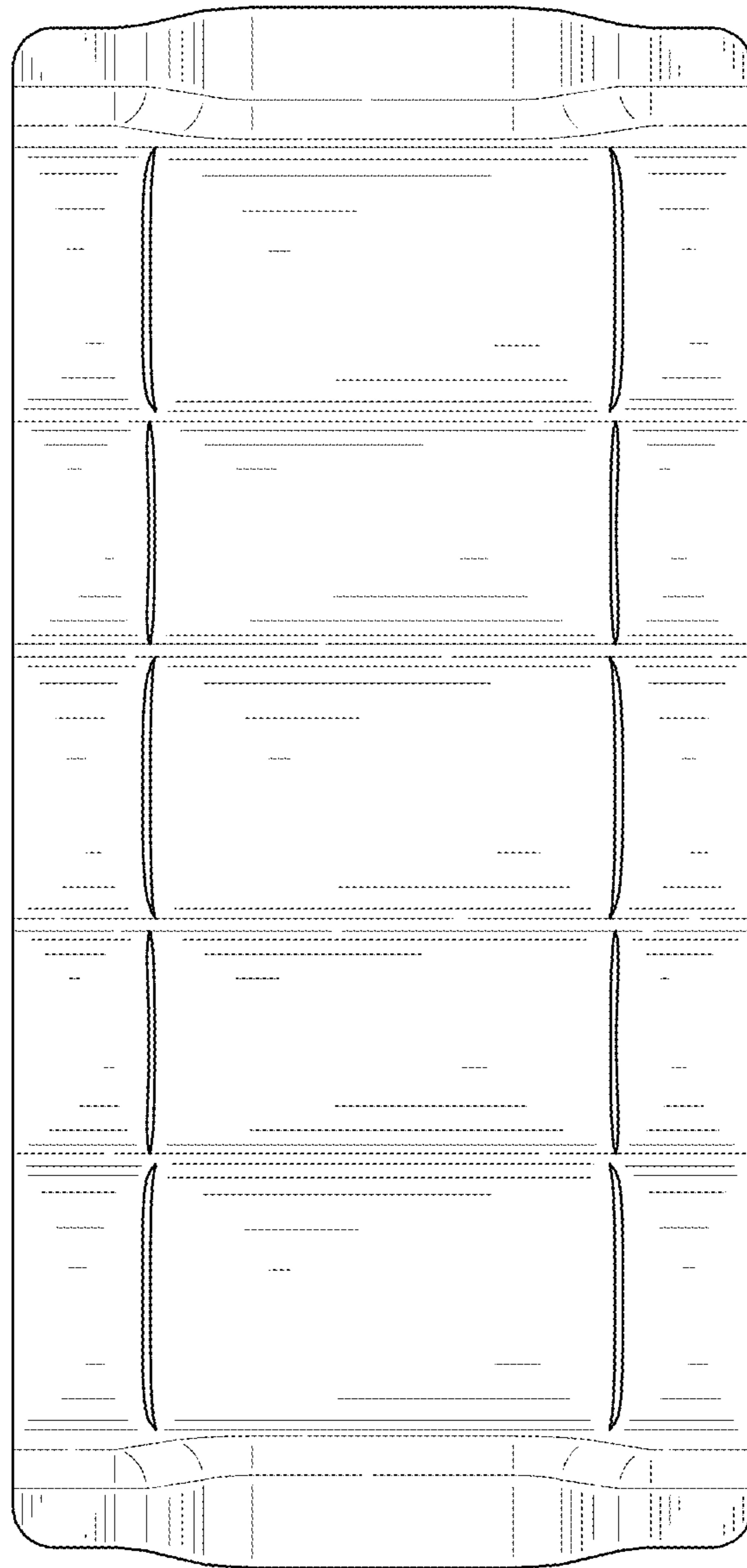


FIG. 12

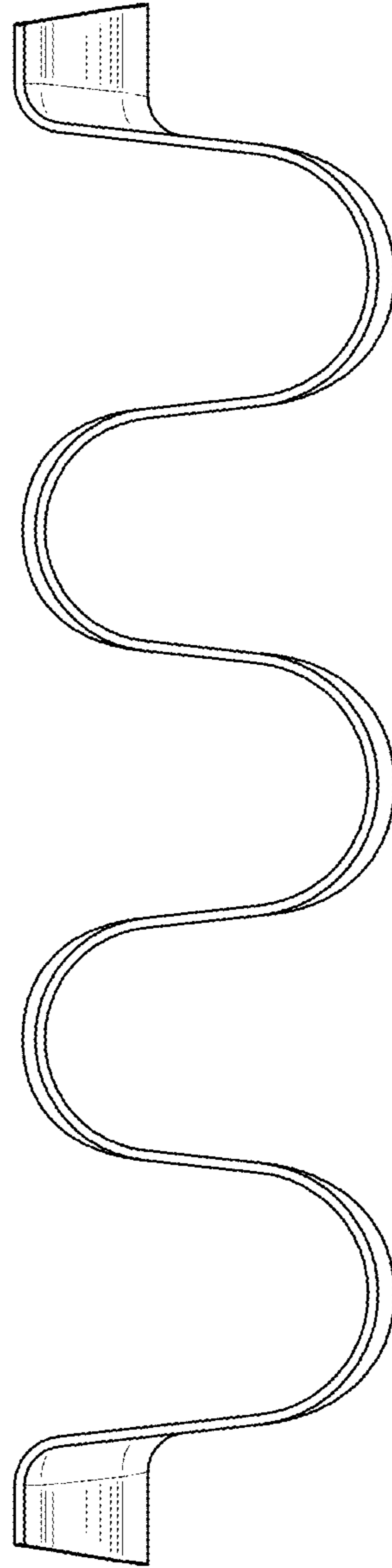


FIG. 13

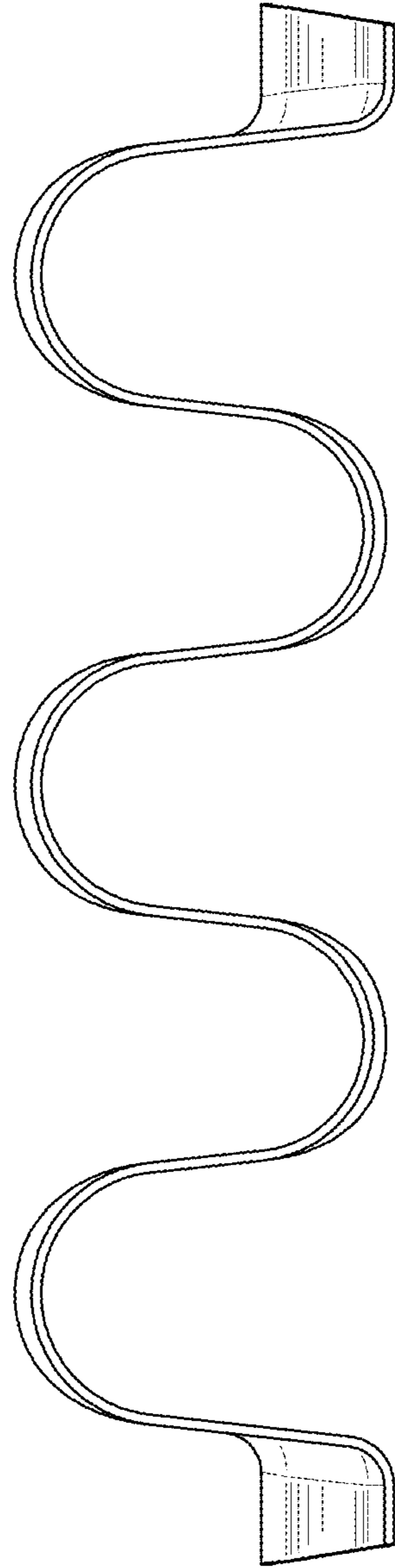


FIG. 14

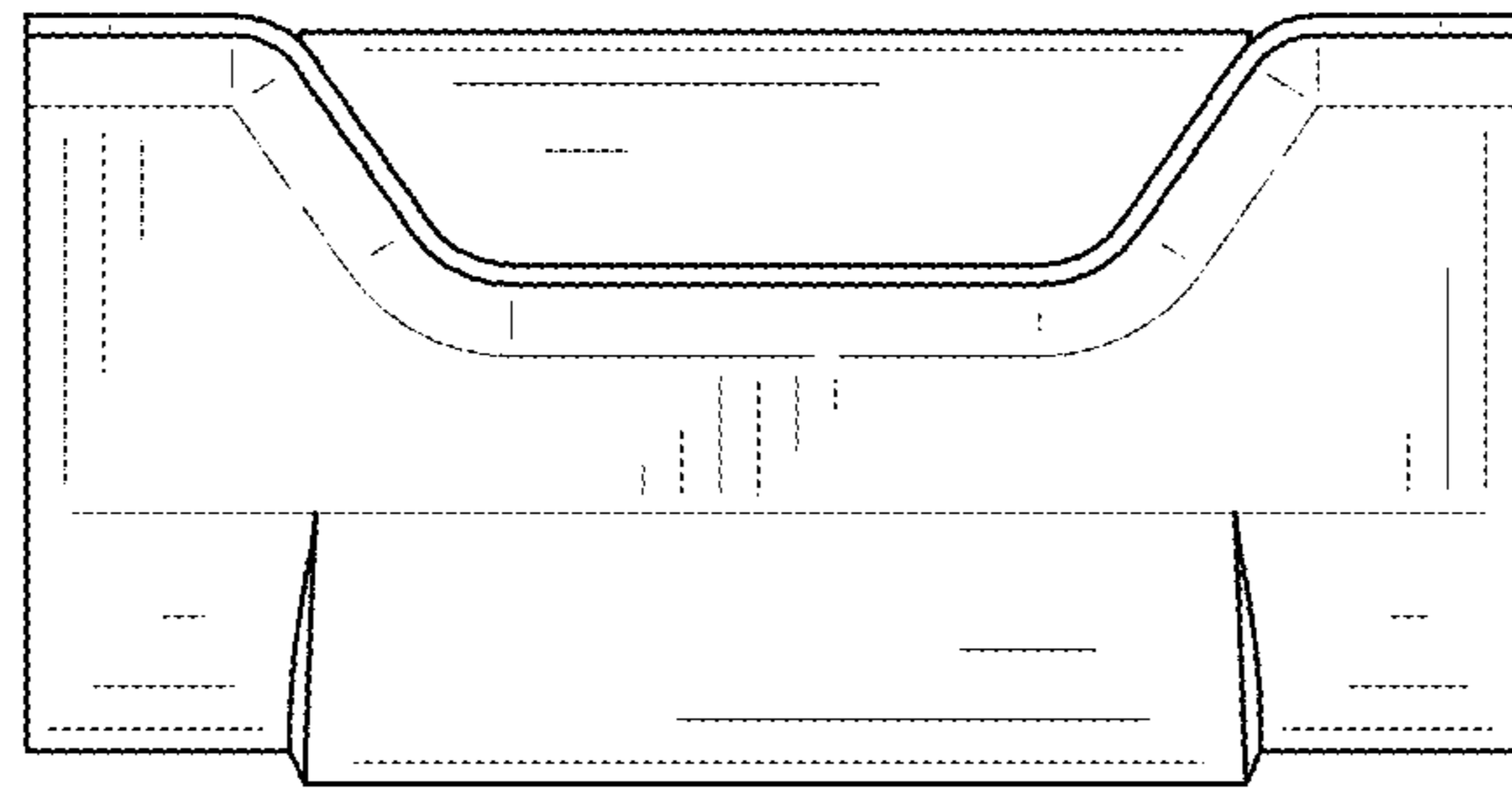


FIG. 15

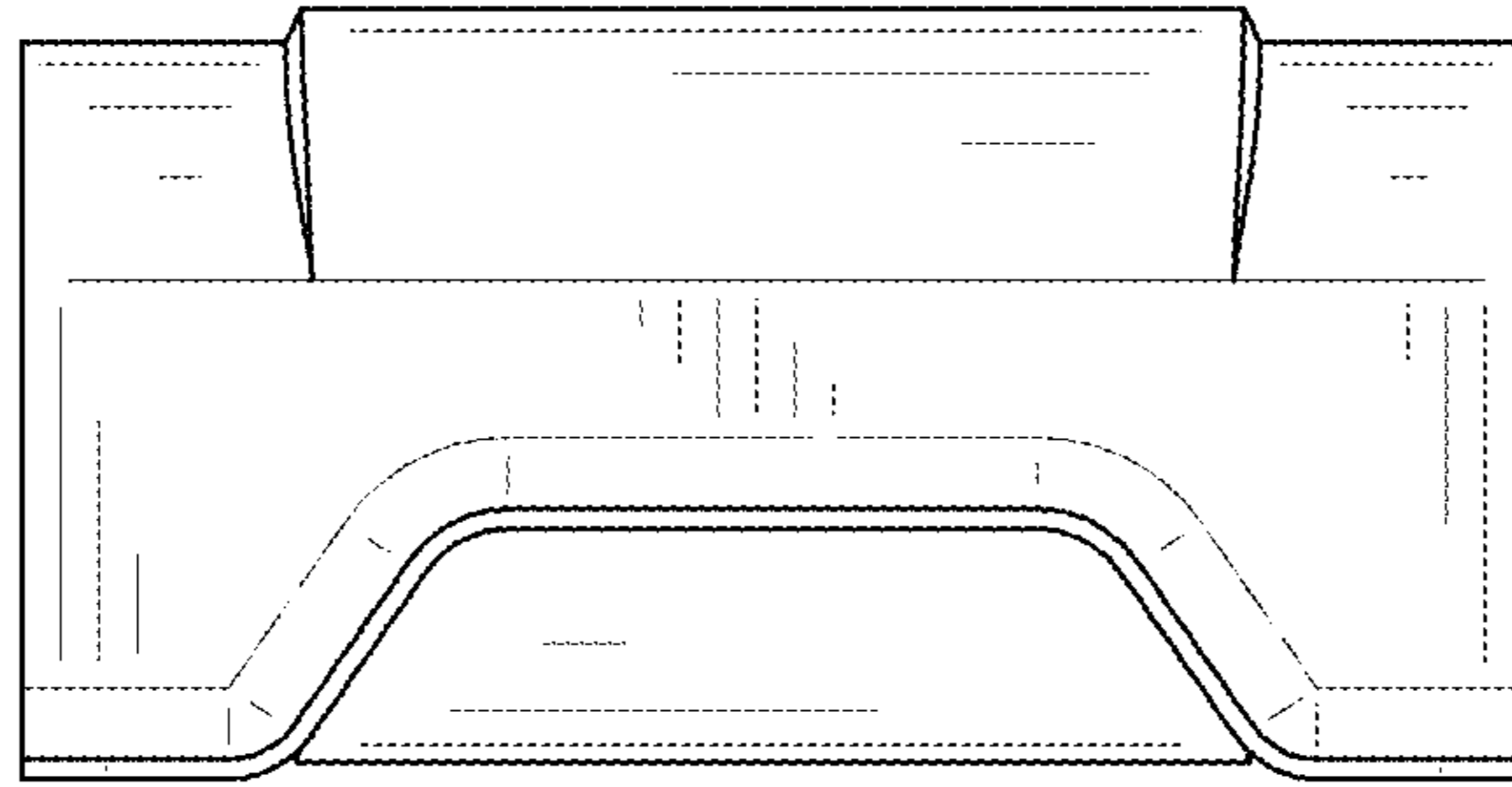


FIG. 16