



US00D883744S

(12) **United States Design Patent** (10) **Patent No.:** **US D883,744 S**
Gustafson (45) **Date of Patent:** **** May 12, 2020**

(54) **SKEWER RACK**

(71) Applicant: **Charles Bruce Gustafson**, Littleton, CO (US)

(72) Inventor: **Charles Bruce Gustafson**, Littleton, CO (US)

(**) Term: **15 Years**

(21) Appl. No.: **29/715,137**

(22) Filed: **Nov. 27, 2019**

(51) **LOC (12) Cl.** **07-02**

(52) **U.S. Cl.**

USPC **D7/409**

(58) **Field of Classification Search**

USPC D7/323, 332, 335-337, 354-355, D7/359-364, 387-388, 402, 407-409

CPC A21B 2/00; A21B 3/00; A21B 3/13; A21B 3/15; A21B 5/00; A21B 5/02; A23L 5/15; A23N 12/06; A23N 12/08; A23N 12/10; A47J 37/00; A47J 37/04; A47J 37/041; A47J 37/042; A47J 37/049; A47J 37/06; A47J 37/0688; A47J 37/0694; A47J 37/07; A47J 37/0704; A47J 37/0763; A47J 37/0786; A47J 37/10; A47J 47/20; A47J 2037/00; A47J 2037/06; A47J 2037/0611; A47J 2037/07; A47J 2037/0786; A47J 2037/0795; F24C 15/10; F24C 15/12; F24C 15/14; F24C 15/16; F24C 15/164; F24C 15/18

See application file for complete search history.

(56) **References Cited**

U.S. PATENT DOCUMENTS

- 3,297,166 A * 1/1967 Summers A47J 37/0786 211/60.1
- 3,306,281 A * 2/1967 Hoebel A47J 37/0763 126/25 R
- D252,128 S * 6/1979 Olson 99/419
- D277,540 S * 2/1985 Thomas D7/337
- D302,229 S * 7/1989 Gilgore D7/409

(Continued)

OTHER PUBLICATIONS

Amazon.com: kabob rack, pp. 1-7 (Admitted Prior Art, date unknown). U.S. Appl. No. 16/698,492, filed Nov. 27, 2019.

Primary Examiner — Ricky Pham

(74) *Attorney, Agent, or Firm* — Patent Law Office of Rick Martin, P.C.

(57) **CLAIM**

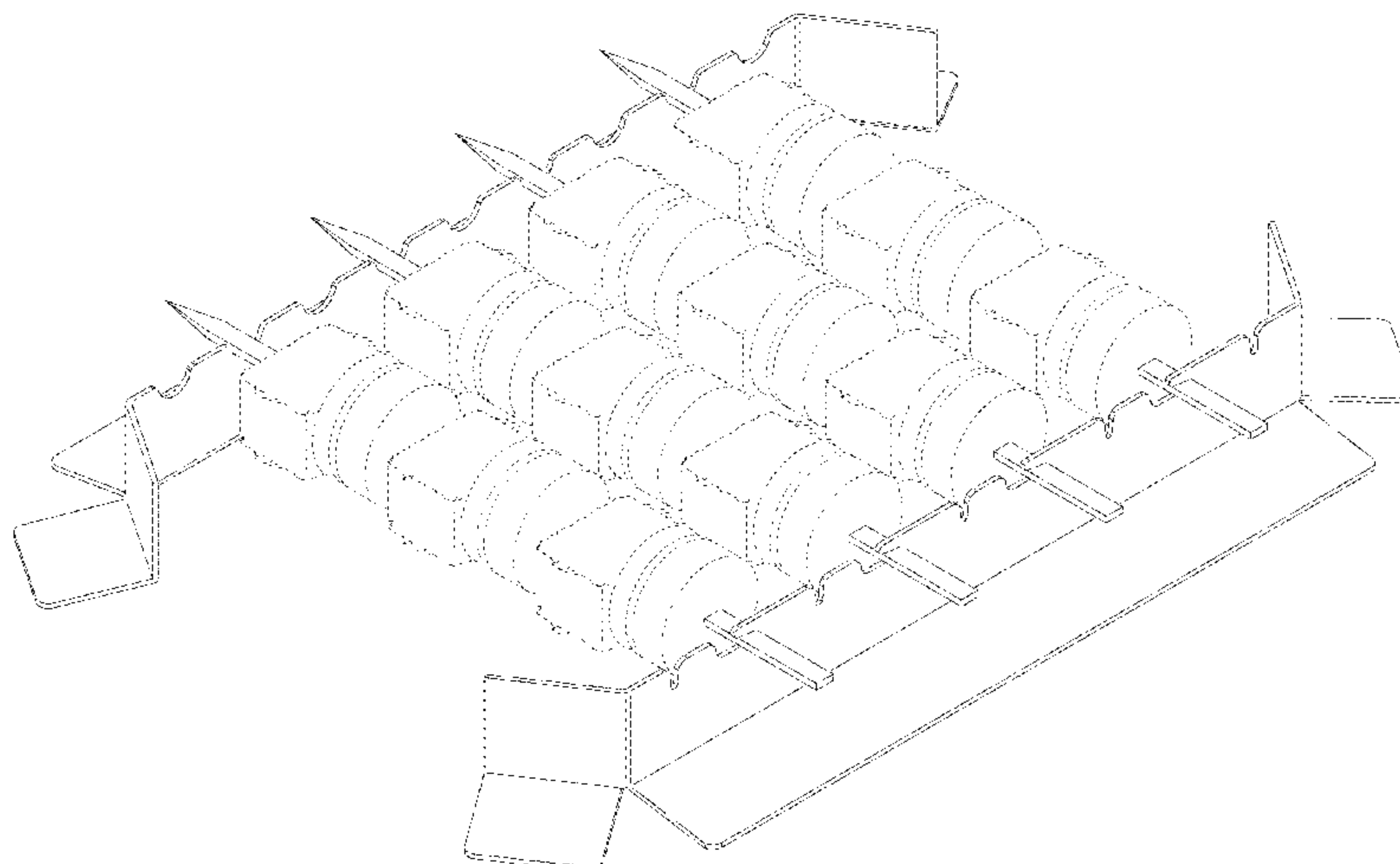
The ornamental design for a skewer rack, as shown and described.

DESCRIPTION

FIG. 1 is a top perspective view for a skewer rack in use; FIG. 2 is a top plan view of my new invention; FIG. 3 is a bottom plan view of my new invention; FIG. 4 is a front elevation view of my new invention; FIG. 5 is a rear elevation view of my new invention; FIG. 6 is a left side elevation view and mirrored right side elevation view of my new invention; FIG. 7 is an enlarged left side elevation view and mirrored right side elevation view of my new invention in a nested mode; FIG. 8 is a top plan view of my new invention in a nested mode; FIG. 9 is a bottom plan view of my new invention in a nested mode; FIG. 10 is a front elevation view of my new invention in a nested mode; FIG. 11 is a rear elevation view of my new invention in a nested mode; and, FIG. 12 is a top perspective view of my new invention in a nested mode.

The dotted lines shown in FIGS. 1,2,3,4,5,6, show an environment for the purposes of illustrating a use and form no part of the claimed design.

1 Claim, 8 Drawing Sheets



(56)

References Cited

U.S. PATENT DOCUMENTS

4,942,862 A * 7/1990 Alden A47J 37/0694
126/337 R
5,715,744 A * 2/1998 Coutant A47J 37/041
99/419
5,887,513 A * 3/1999 Fielding A47J 37/04
99/419
D417,124 S * 11/1999 Chen 211/60.1
D558,520 S * 1/2008 Raichlen D7/409
7,946,223 B2 * 5/2011 Raichlen A47J 37/049
99/419
D658,441 S * 5/2012 Borovicka D7/354
9,402,507 B1 * 8/2016 Prater A23L 5/15

* cited by examiner

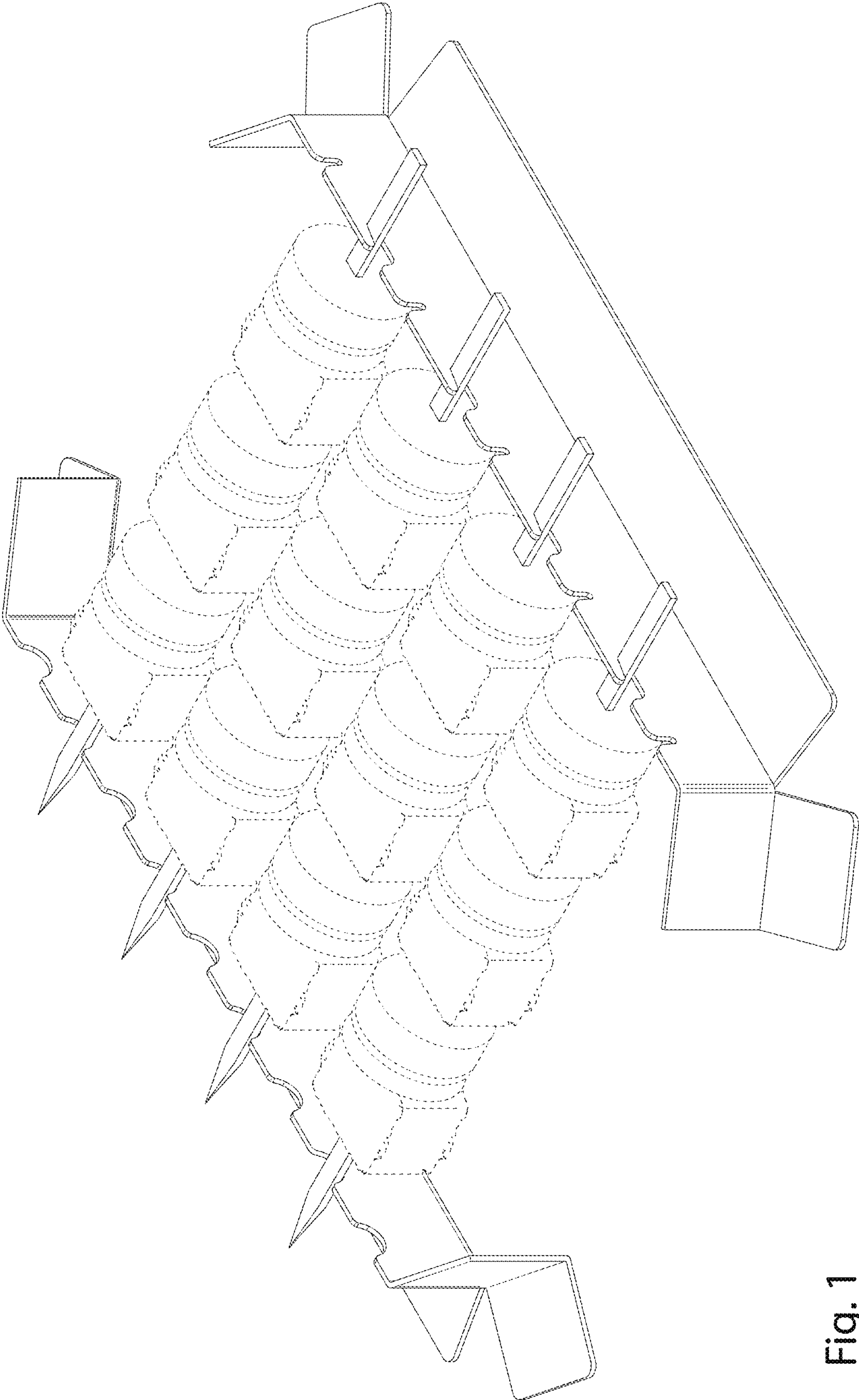


Fig. 1

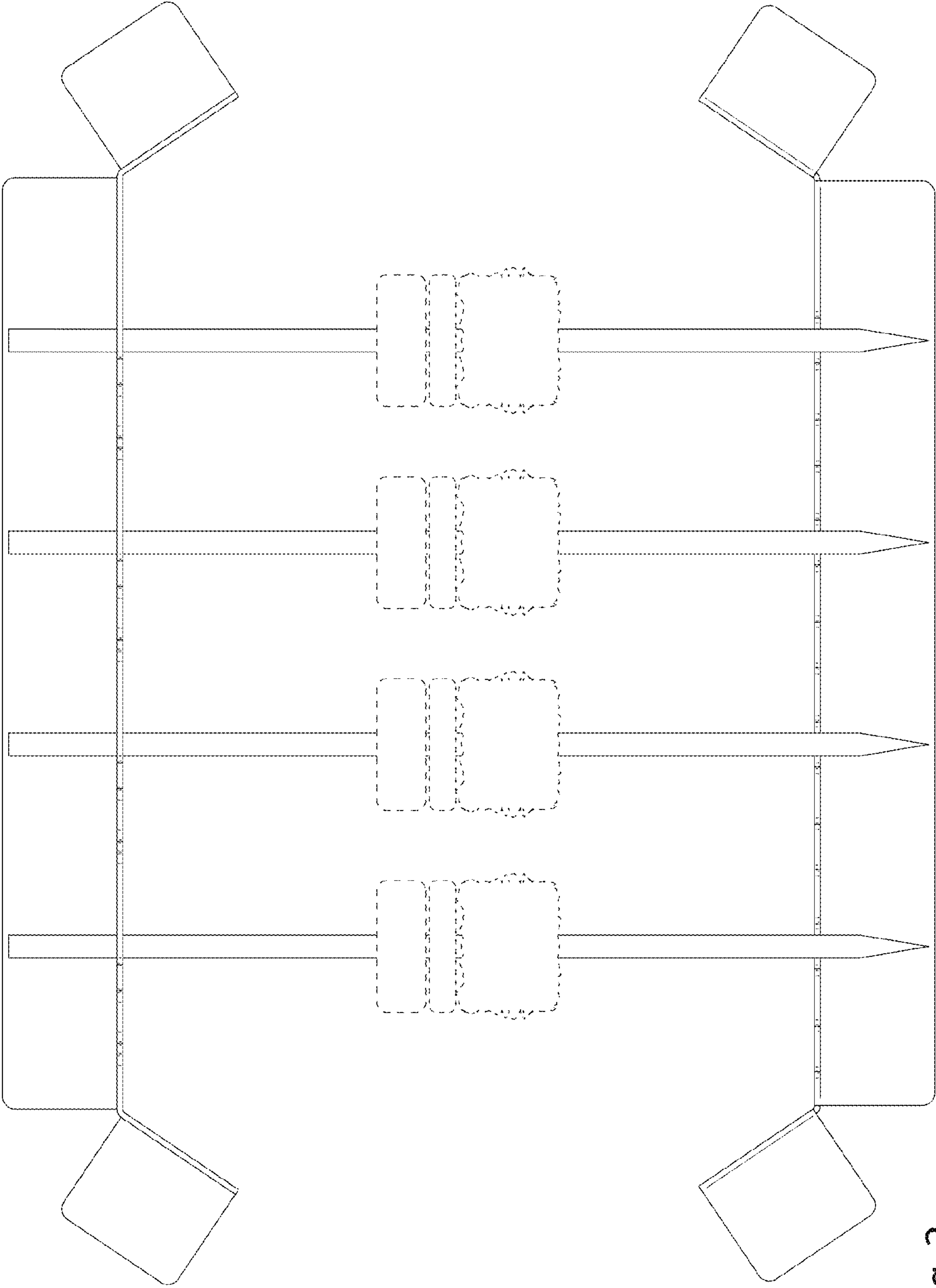


Fig. 2

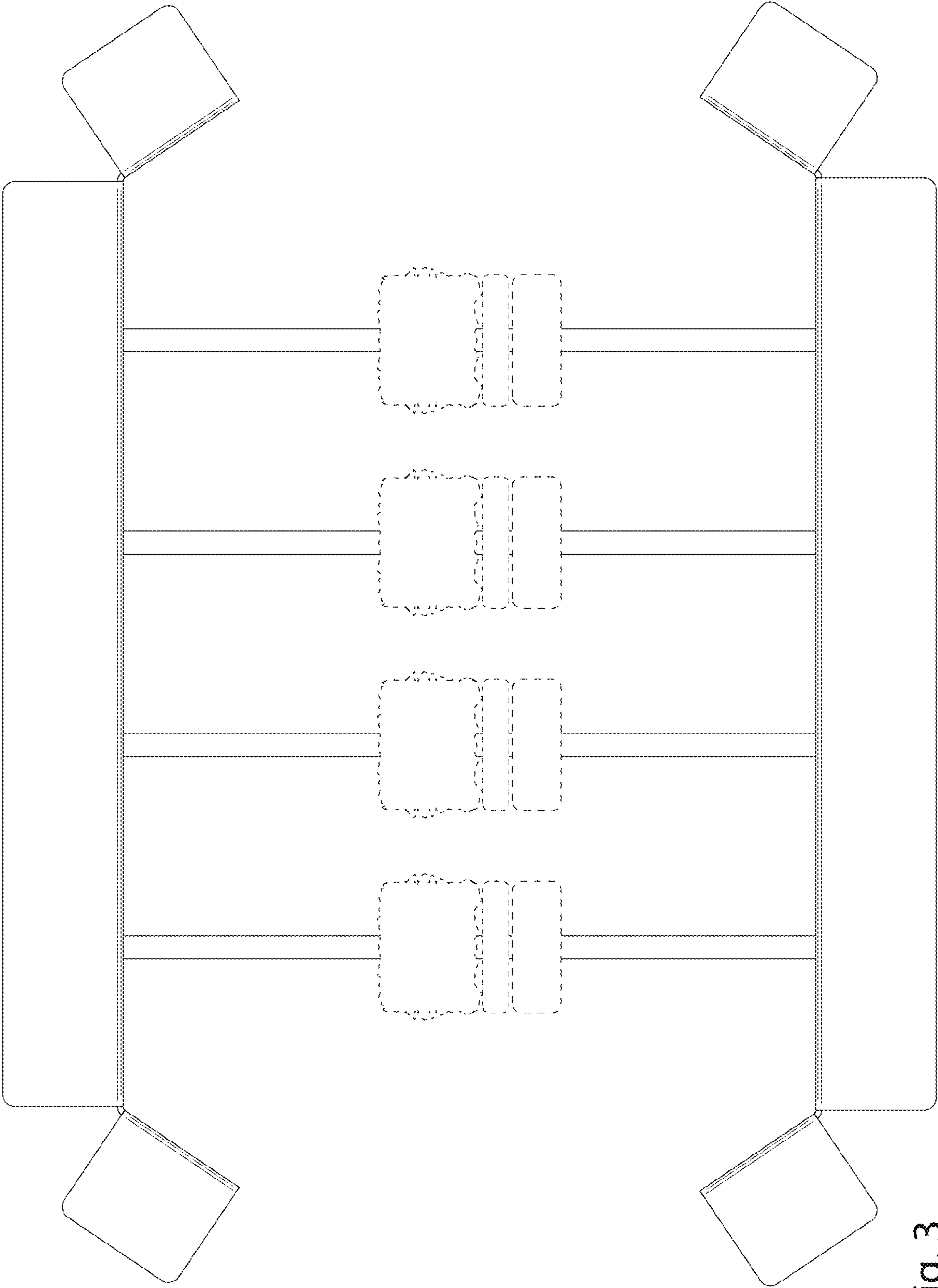


Fig. 3

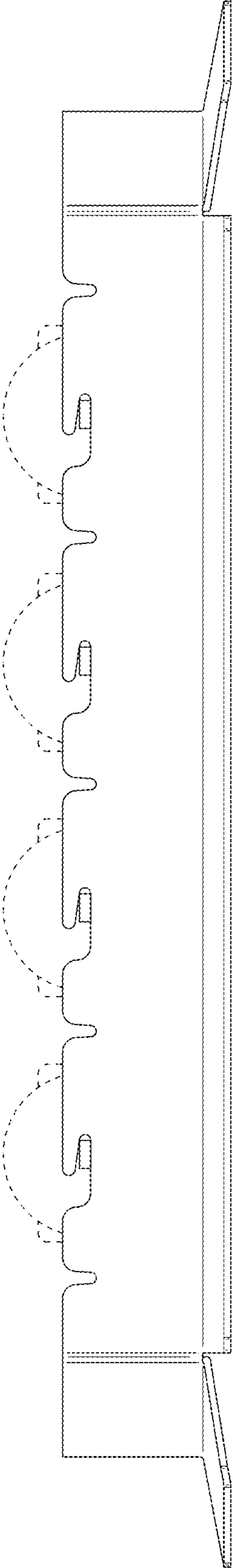


Fig. 4

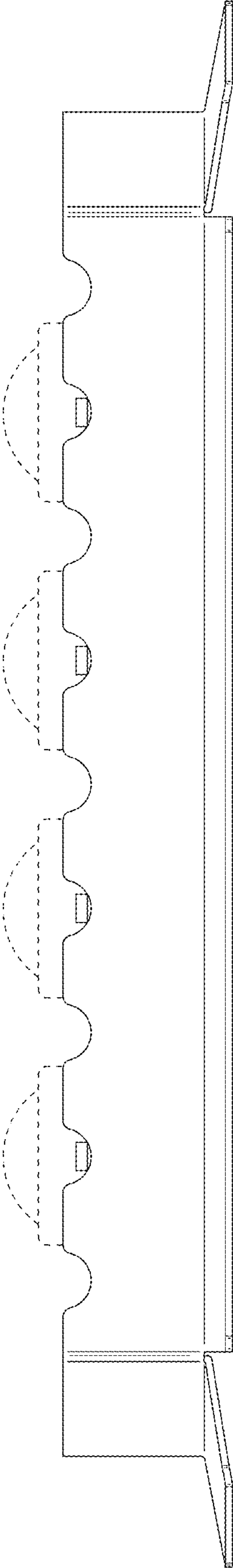


Fig. 5

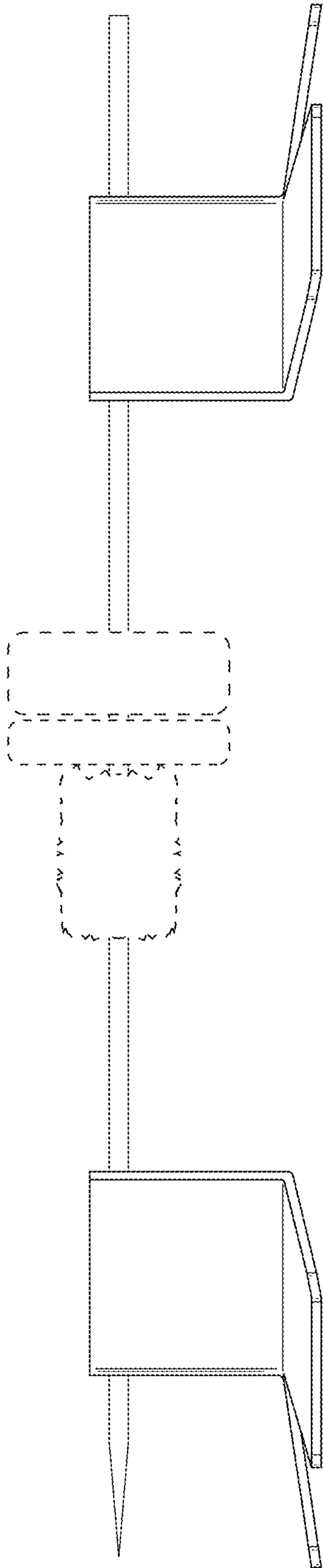


Fig. 6

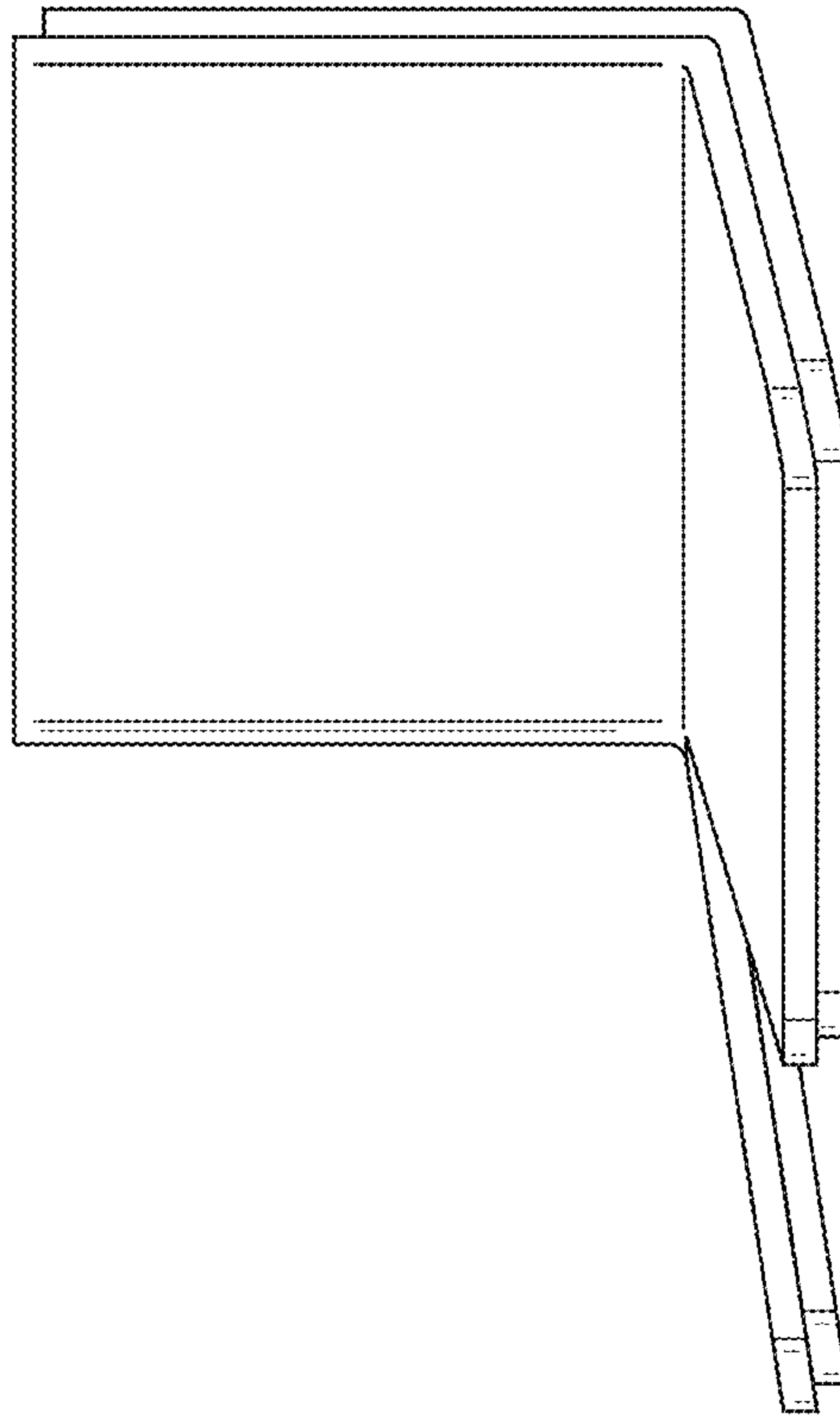


Fig. 7

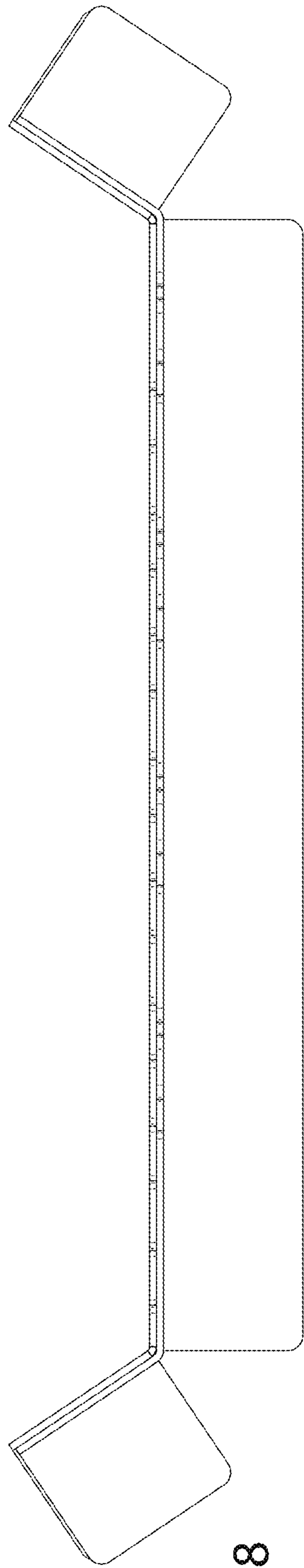


Fig. 8

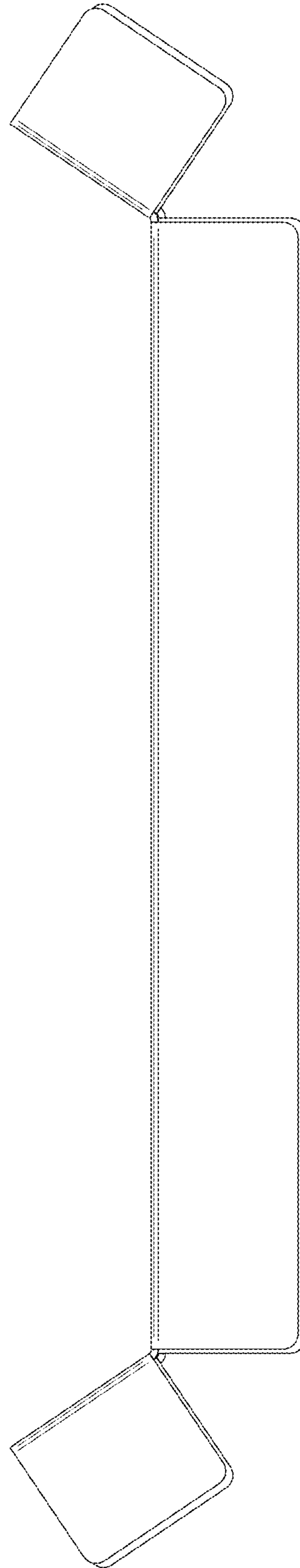


Fig. 9

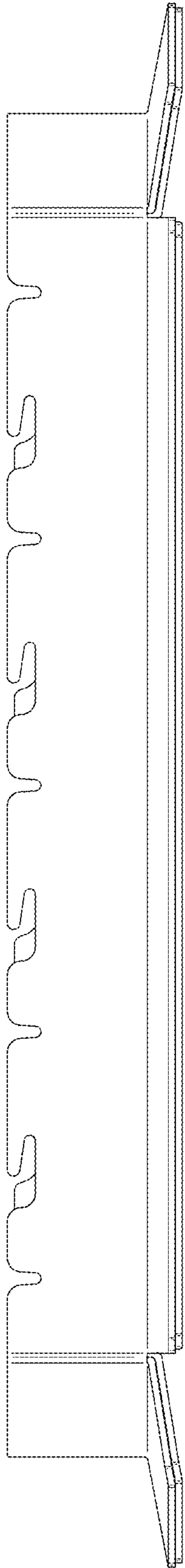


Fig. 10

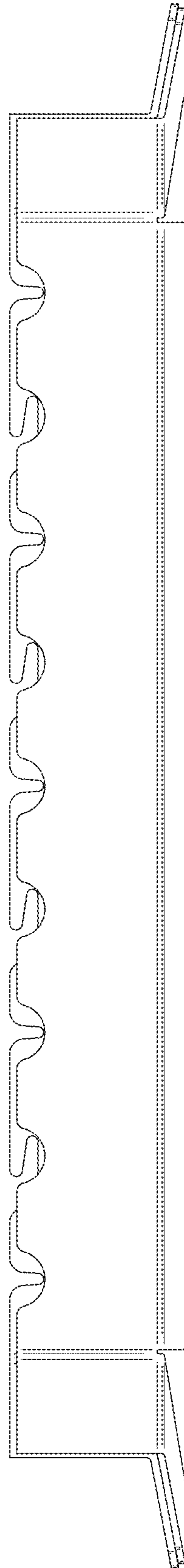


Fig. 11

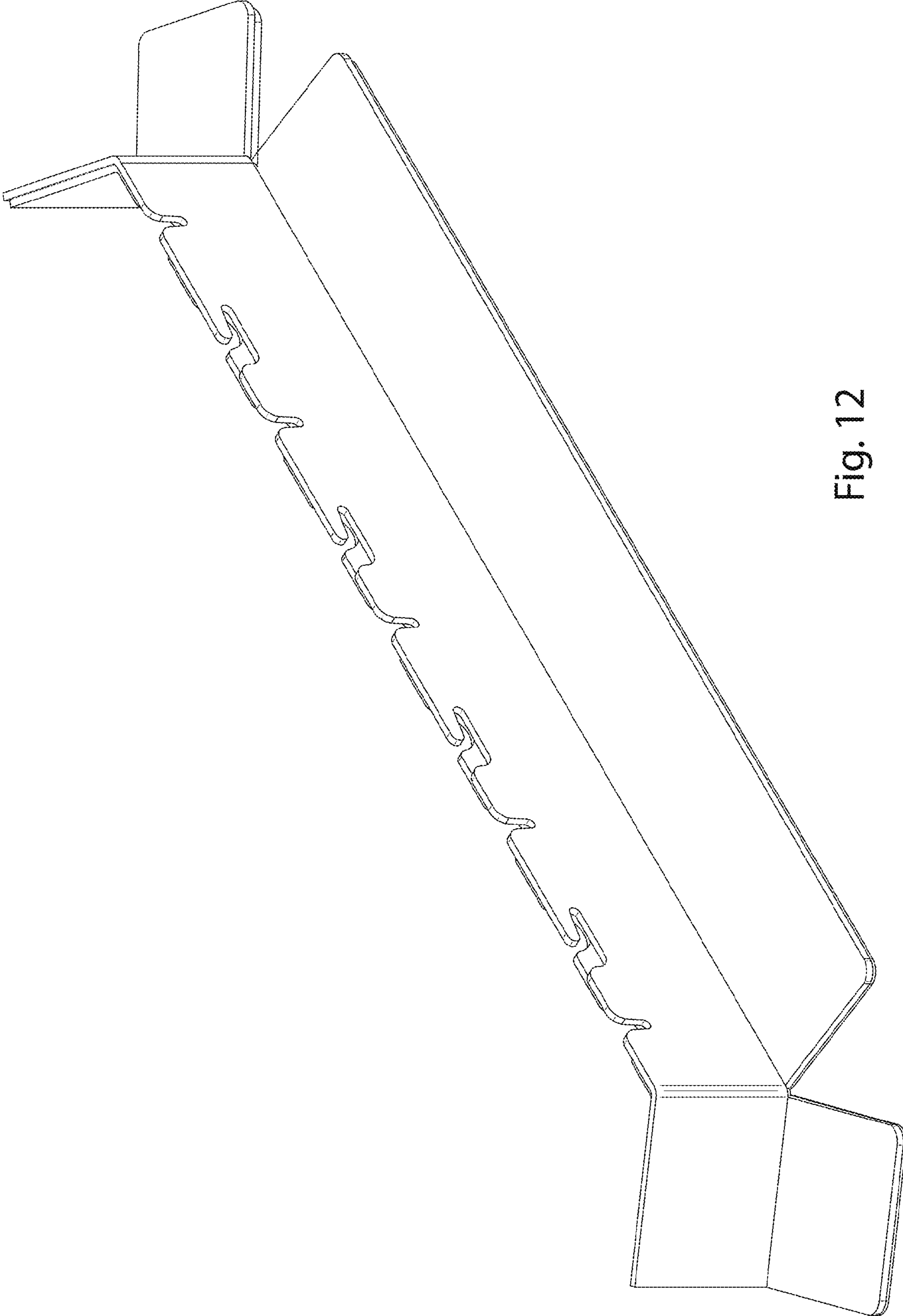


Fig. 12