



US00D883742S

(12) **United States Design Patent**  
**Curtusan**

(10) **Patent No.:** **US D883,742 S**

(45) **Date of Patent:** **\*\* May 12, 2020**

- (54) **GRILL GRATE COVER**
- (71) Applicant: **Rodica Curtusan**, Kent, WA (US)
- (72) Inventor: **Rodica Curtusan**, Kent, WA (US)
- (\*\*) Term: **15 Years**
- (21) Appl. No.: **29/642,965**
- (22) Filed: **Apr. 3, 2018**
- (51) **LOC (12) Cl.** ..... **07-99**
- (52) **U.S. Cl.**  
USPC ..... **D7/408**
- (58) **Field of Classification Search**  
USPC ..... D7/323, 332, 335-337, 354-355,  
D7/359-367, 387-388, 402, 407-409  
CPC ... A21B 3/00; A21B 3/15; A23N 12/08; A47J  
37/00; A47J 37/06; A47J 37/0694; F24C  
15/16  
See application file for complete search history.

D774,367 S *	12/2016	Neal	.....	D7/698
D779,151 S *	2/2017	Clements	.....	D1/122
D779,877 S *	2/2017	Atlaw	.....	A47J 37/0786 D7/409
D789,147 S *	6/2017	Nilssen	.....	D7/409
D793,161 S *	8/2017	Fullmer	.....	D7/354
D812,425 S *	3/2018	Reischmann	.....	D7/409
D813,601 S *	3/2018	Hollinger	.....	D7/409
D815,491 S *	4/2018	Hollinger	.....	D7/409
D852,581 S *	7/2019	Hackley	.....	D7/409
D853,844 S *	7/2019	Juillet	.....	D9/456
D859,059 S *	9/2019	Levy	.....	D7/359
D866,242 S *	11/2019	Vitagliano	.....	D7/359
2006/0118101 A1 *	6/2006	Rhee	.....	A47J 37/0786 126/41 R
2007/0204856 A1 *	9/2007	Elwell	.....	F24C 15/16 126/337 R
2008/0087269 A1 *	4/2008	Kang	.....	A47J 37/067 126/25 A

(Continued)

**FOREIGN PATENT DOCUMENTS**

CA 2654996 A 7/2012

*Primary Examiner* — Derrick E Holland

*Assistant Examiner* — Andrew Kerr

(56) **References Cited**

**U.S. PATENT DOCUMENTS**

806,475 A *	12/1905	Koneman	.....	A47J 37/0704 99/446
D312,125 S *	11/1990	Epner	.....	D23/386
4,979,440 A	12/1990	Latour		
5,105,725 A *	4/1992	Haglund	.....	A47J 37/0704 126/25 R
D337,483 S *	7/1993	Newton	.....	D7/388
D341,292 S	11/1993	Johnston		
5,467,691 A *	11/1995	Koziol	.....	A47J 37/0694 99/340
7,219,663 B2	5/2007	Cuomo		
7,340,994 B2	3/2008	Bruno		
D610,405 S *	2/2010	McConnell	.....	D7/409
7,810,487 B2	10/2010	Johnston		
7,971,522 B2	7/2011	Sarnoff		
D655,803 S *	3/2012	Platt	.....	D23/365
D669,685 S *	10/2012	Legreca	.....	D3/304
D722,821 S *	2/2015	Liu	.....	D7/409

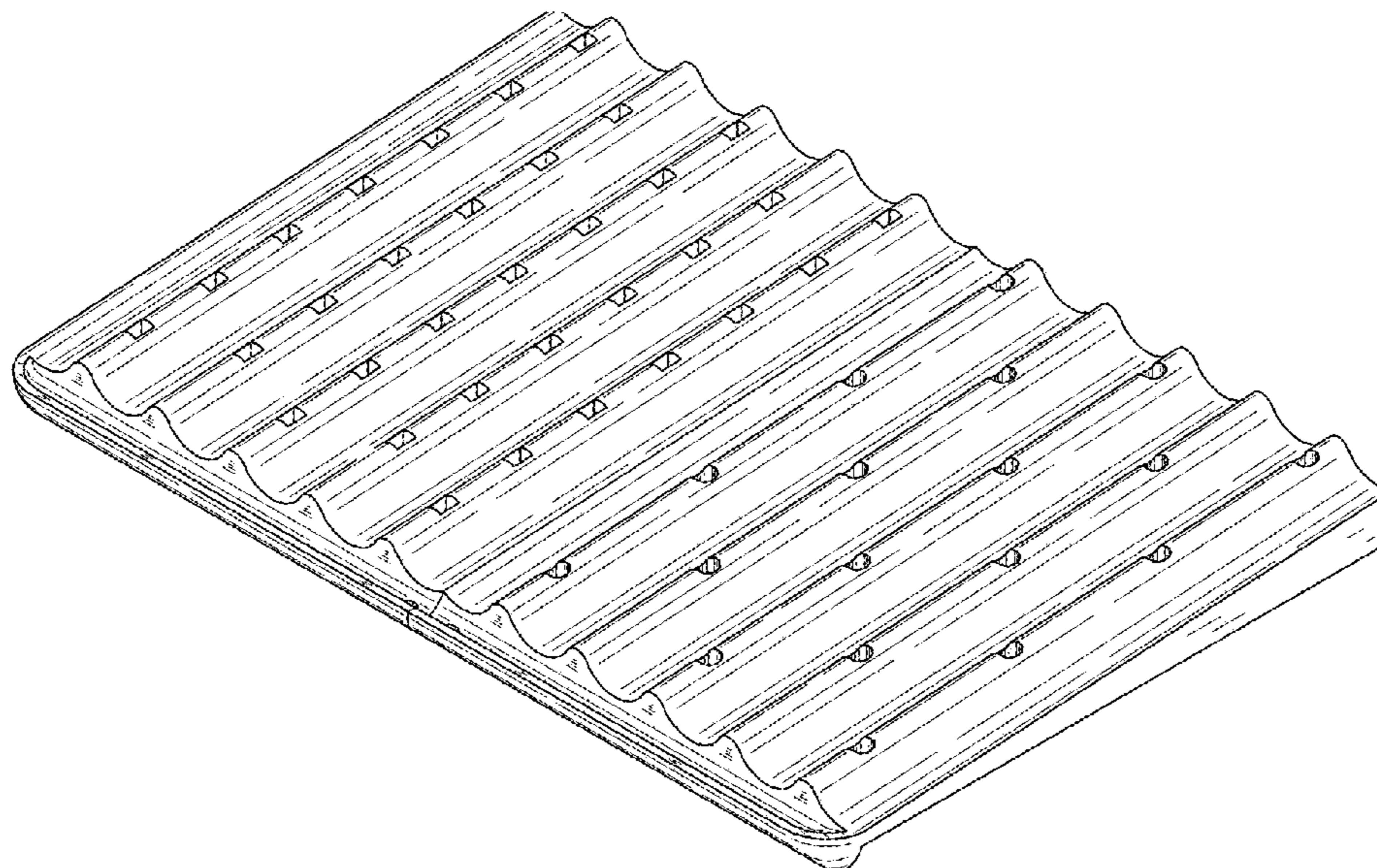
(57) **CLAIM**

I claim the ornamental design for a grill grate cover, as shown and described.

**DESCRIPTION**

FIG. 1 is a front view of a grill grate cover, showing my new design;  
 FIG. 2 is a rear view thereof;  
 FIG. 3 is a left side view thereof;  
 FIG. 4 is a right side view thereof;  
 FIG. 5 is a top view thereof;  
 FIG. 6 is a bottom view thereof; and,  
 FIG. 7 is a perspective view thereof.

**1 Claim, 5 Drawing Sheets**



(56)

**References Cited**

U.S. PATENT DOCUMENTS

2008/0264404 A1\* 10/2008 Hoyles ..... A47J 37/0709  
126/25 R  
2010/0199967 A1\* 8/2010 Wiczorek ..... A47J 37/0704  
126/25 R  
2012/0219673 A1 8/2012 Bourgeois

\* cited by examiner

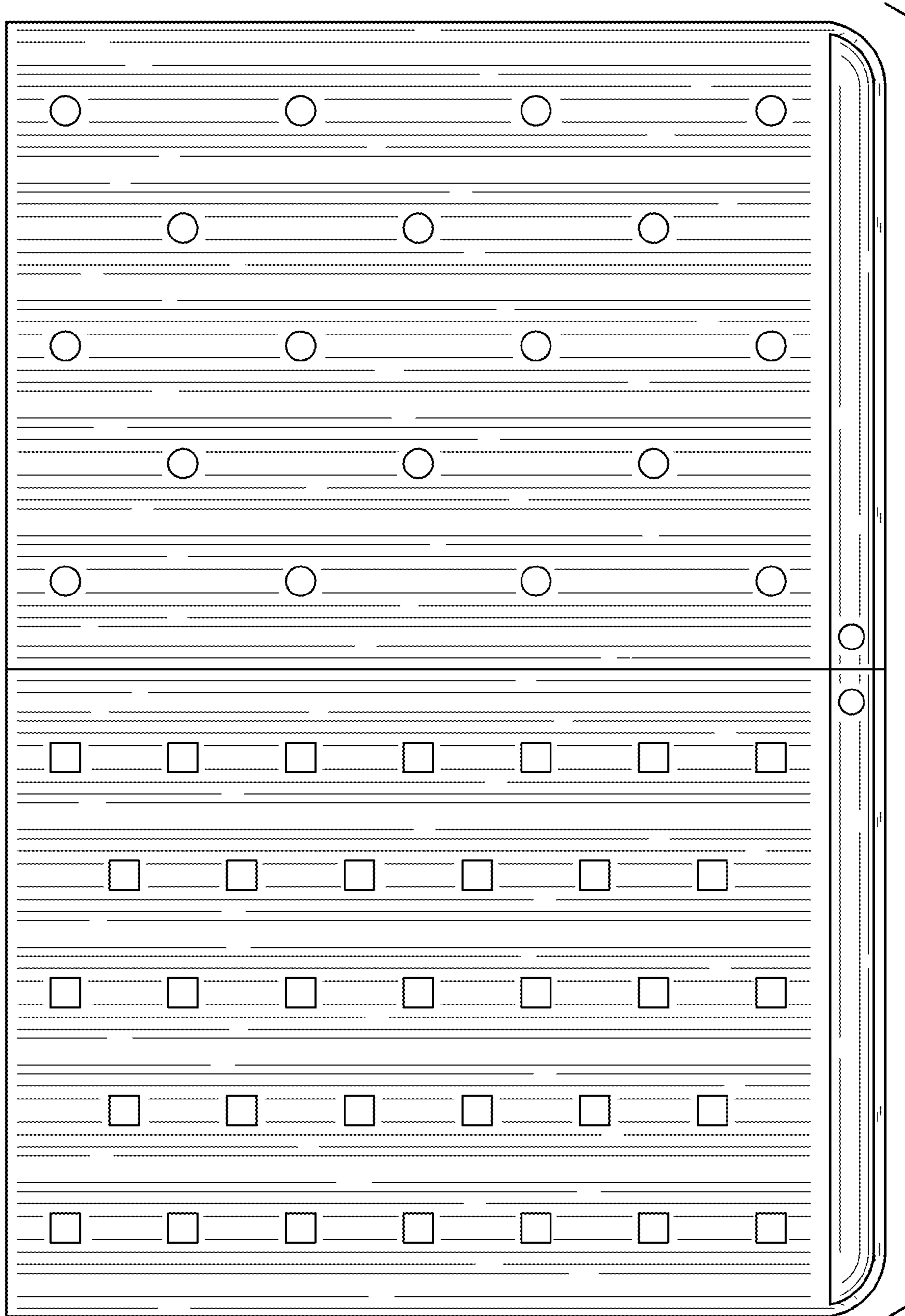


FIG. 1

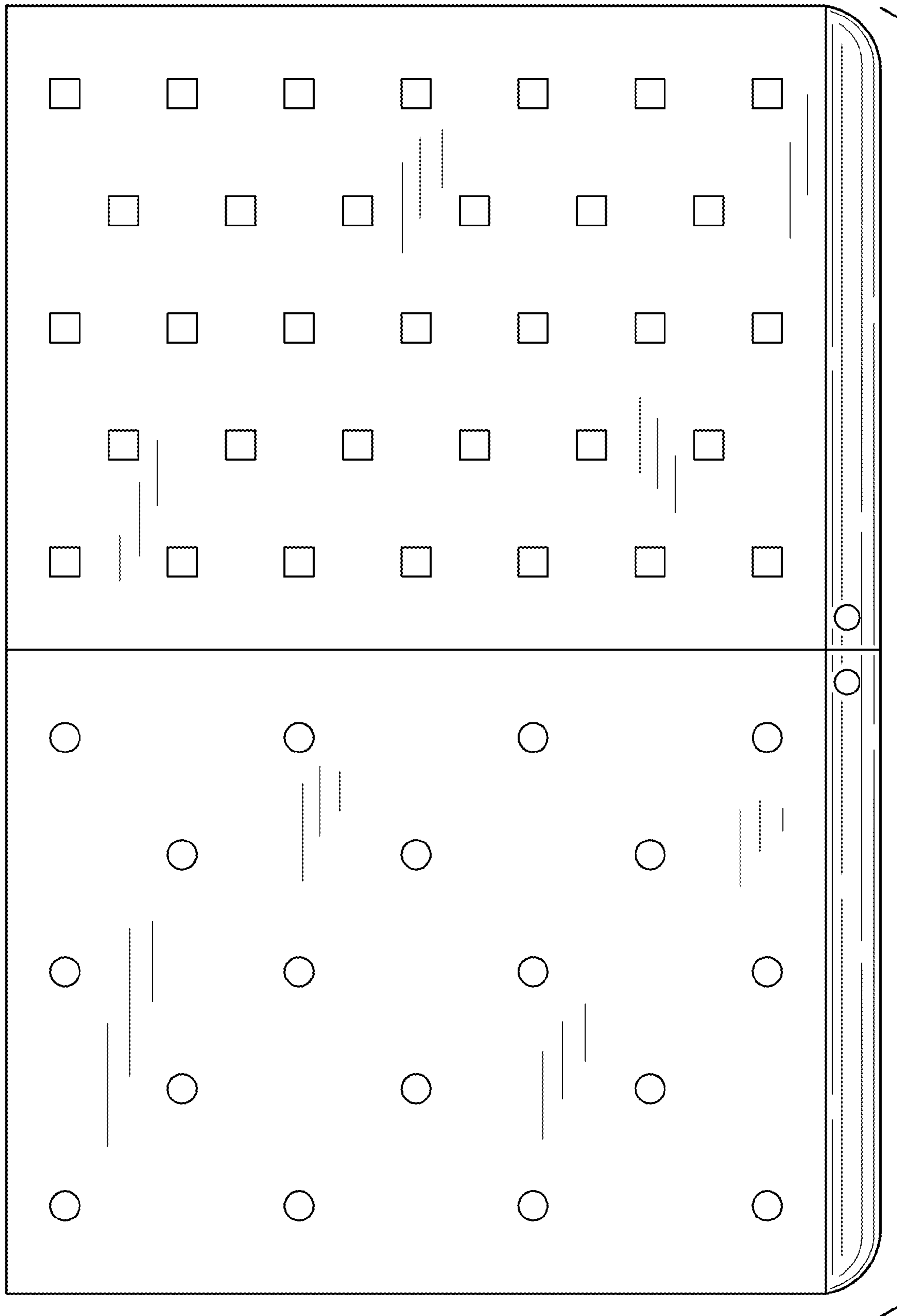


FIG. 2

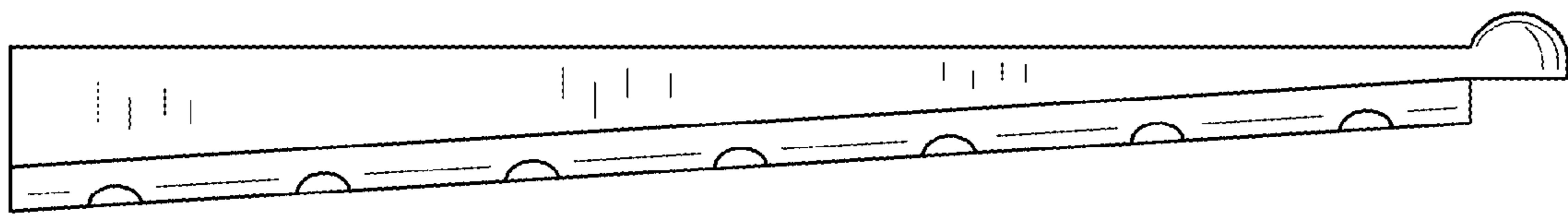


FIG. 4

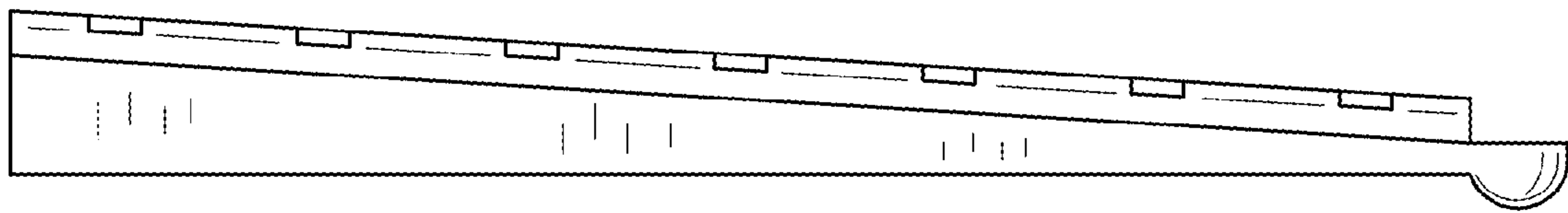


FIG. 3

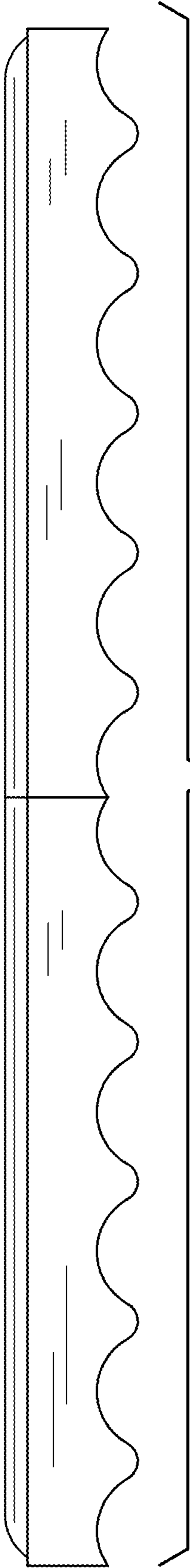


FIG. 5

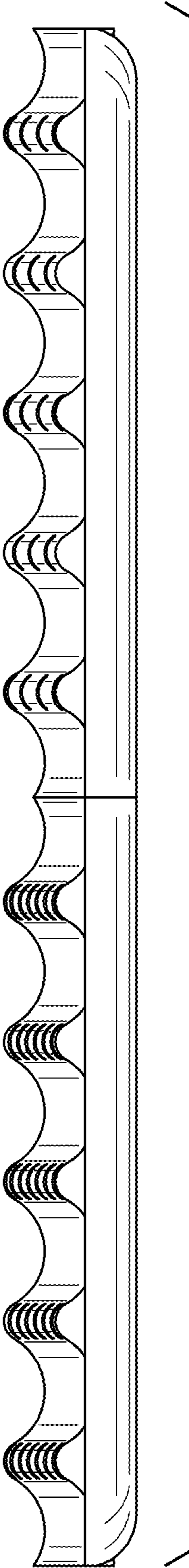


FIG. 6

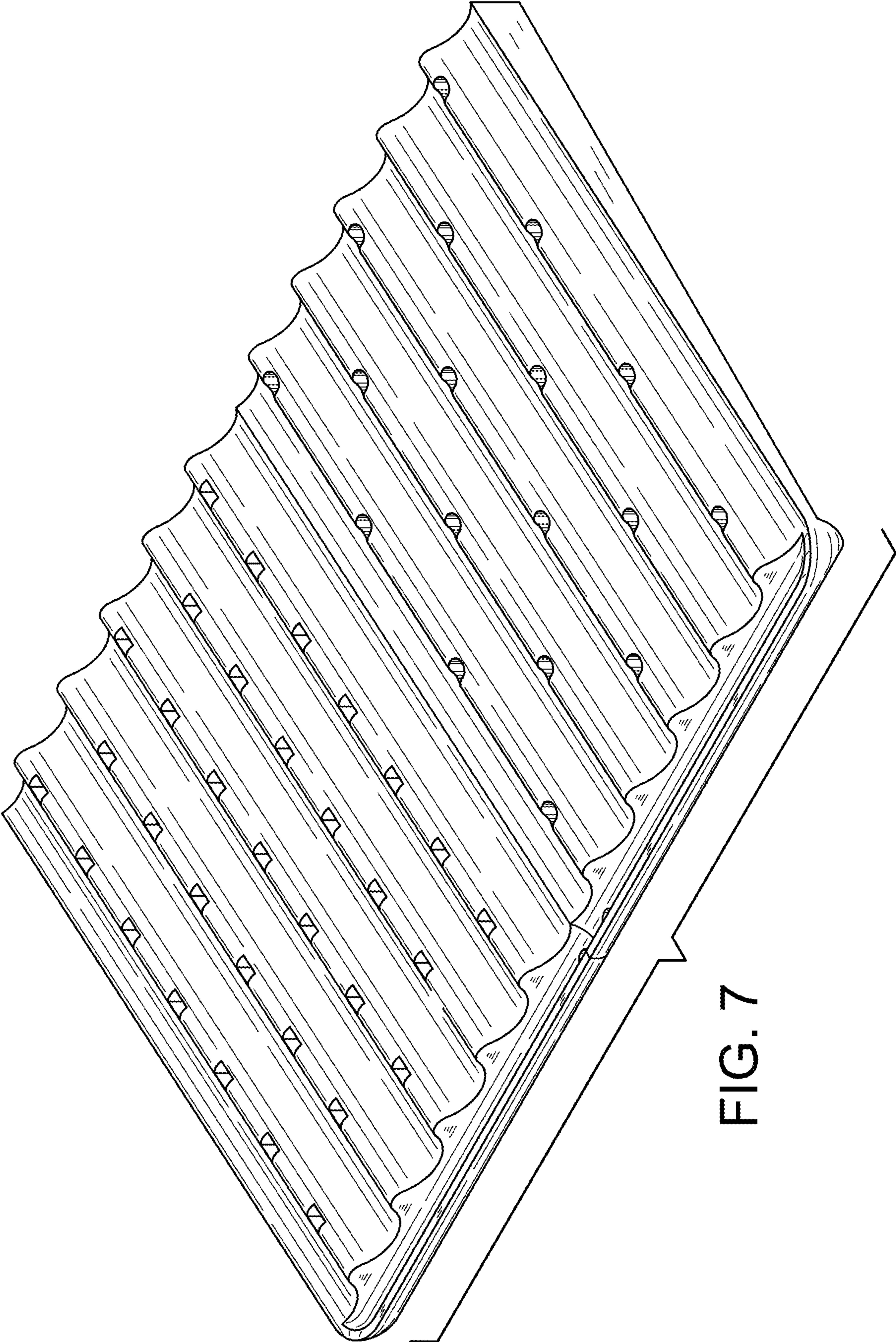


FIG. 7