



US00D883741S

(12) **United States Design Patent**
Prentice et al.

(10) **Patent No.:** **US D883,741 S**

(45) **Date of Patent:** **** May 12, 2020**

(54) **PANEL FOR APPLIANCE**

(71) Applicants: **BSH Home Appliances Corporation**,
Irvine, CA (US); **BSH Hausgeräte**
GmbH, Munich (DE)

(72) Inventors: **Ruth Prentice**, Irvine, CA (US);
Andrew Roberson, Durham, NC (US);
Graham Sadtler, Huntington Beach,
CA (US); **Lucas Taccardi**, Costa Mesa,
CA (US)

(73) Assignees: **BSH Home Appliances Corporation**,
Irvine, CA (US); **BSH Hausgeräte**
GmbH, Munich (DE)

(**) Term: **15 Years**

(21) Appl. No.: **29/612,216**

(22) Filed: **Jul. 31, 2017**

(51) **LOC (12) Cl.** **07-02**

(52) **U.S. Cl.**
USPC **D7/405**

(58) **Field of Classification Search**
USPC D7/402–407, 346–349, 323, 339–340,
D7/350.1–350.4, 351, 332
CPC H05B 1/0261; H05B 1/0263; F24C 3/00;
F24C 3/002; F24C 5/00; F24C 7/00;
F24C 15/02
See application file for complete search history.

(56) **References Cited**

U.S. PATENT DOCUMENTS

D534,035 S	*	12/2006	Huxhold	D7/405
D538,105 S	*	3/2007	Huxhold	D7/405
D626,781 S	*	11/2010	Busalt	D7/349
D654,299 S	*	2/2012	Benold	D7/350.1
D682,602 S	*	5/2013	Funnell, II	D7/340
D745,310 S	*	12/2015	Funnell, II	D7/349
D763,617 S	*	8/2016	Kim	D7/339
D769,673 S	*	10/2016	Shoemaker	D7/405

D770,839 S	*	11/2016	Shoemaker	D7/348
D773,232 S	*	12/2016	Shoemaker	D7/339
D781,648 S	*	3/2017	Shoemaker	D7/406
D833,220 S	*	11/2018	Chavez	D7/405
D835,450 S	*	12/2018	Prentice	D7/348

* cited by examiner

Primary Examiner — Jae Liang

(74) *Attorney, Agent, or Firm* — Michael E. Tschupp;
Andre Pallapies; Brandon G. Braun

(57) **CLAIM**

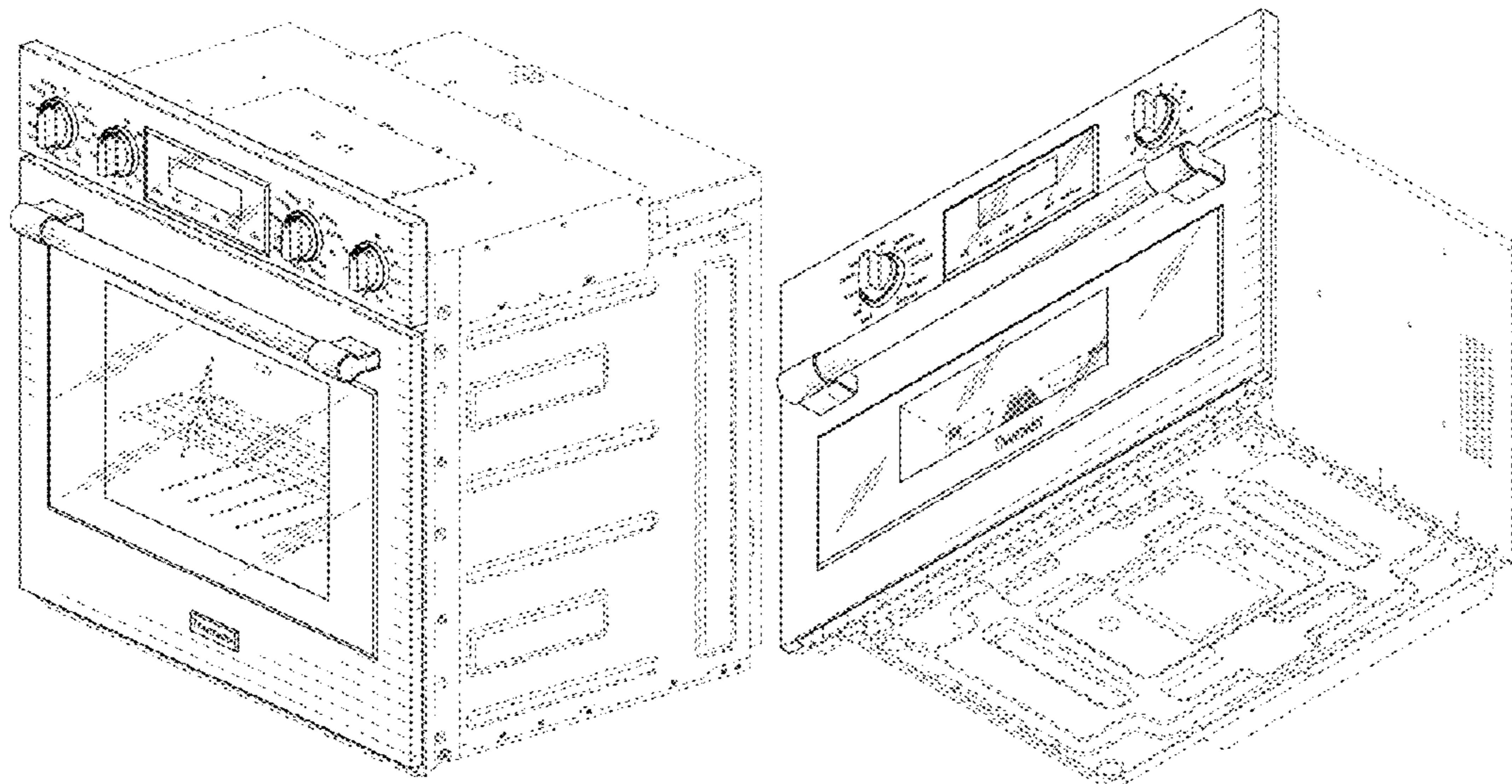
We claim the ornamental design for a panel for appliance, as shown and described.

DESCRIPTION

FIG. 1 is a perspective view of a first embodiment of a panel for appliance, showing our new design; FIG. 2 is a front elevational view thereof; FIG. 3 is a rear elevational view thereof; FIG. 4 is a left side elevational view thereof; FIG. 5 is a top plan view thereof; and FIG. 6 is a bottom plan view thereof; FIG. 7 is a perspective view of a second embodiment of a panel for appliance; FIG. 8 is a front elevational view thereof; FIG. 9 is a rear elevational view thereof; FIG. 10 is a left side elevational view thereof. FIG. 11 is a top plan view thereof; and, FIG. 12 is a bottom plan view thereof.

Broken lines are for illustrating unclaimed portions of the panel for appliance and/or for illustrating an environment related to the claimed design; the broken lines form no part of the claimed design. The right side elevational view of the first embodiment of the panel for appliance is a mirror image of the left side elevational view shown in FIG. 4. The right side elevational view of the second embodiment of the panel for appliance is a mirror image of the left side elevational view shown in FIG. 10.

1 Claim, 12 Drawing Sheets



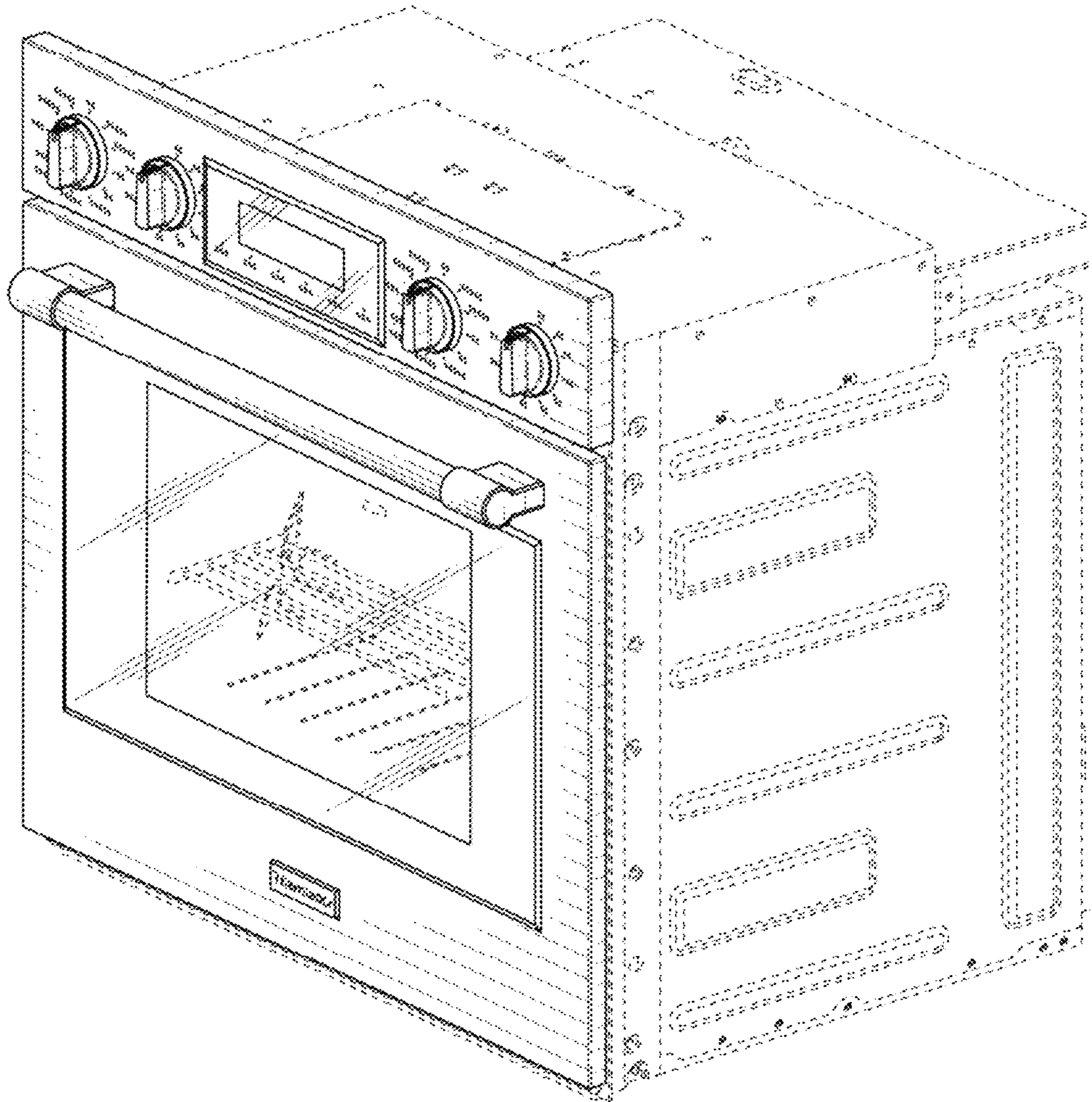


FIG. 1

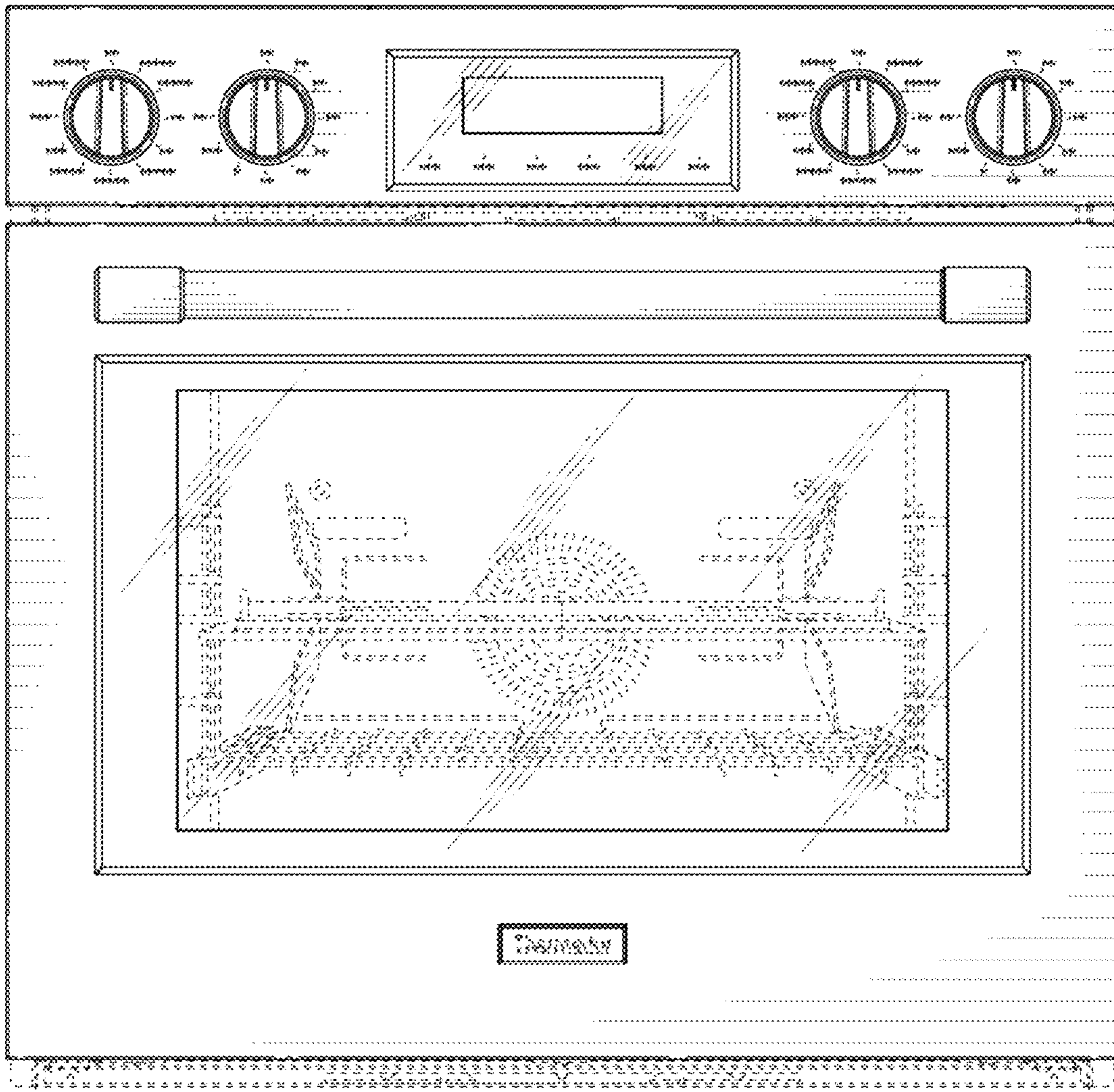


FIG. 2

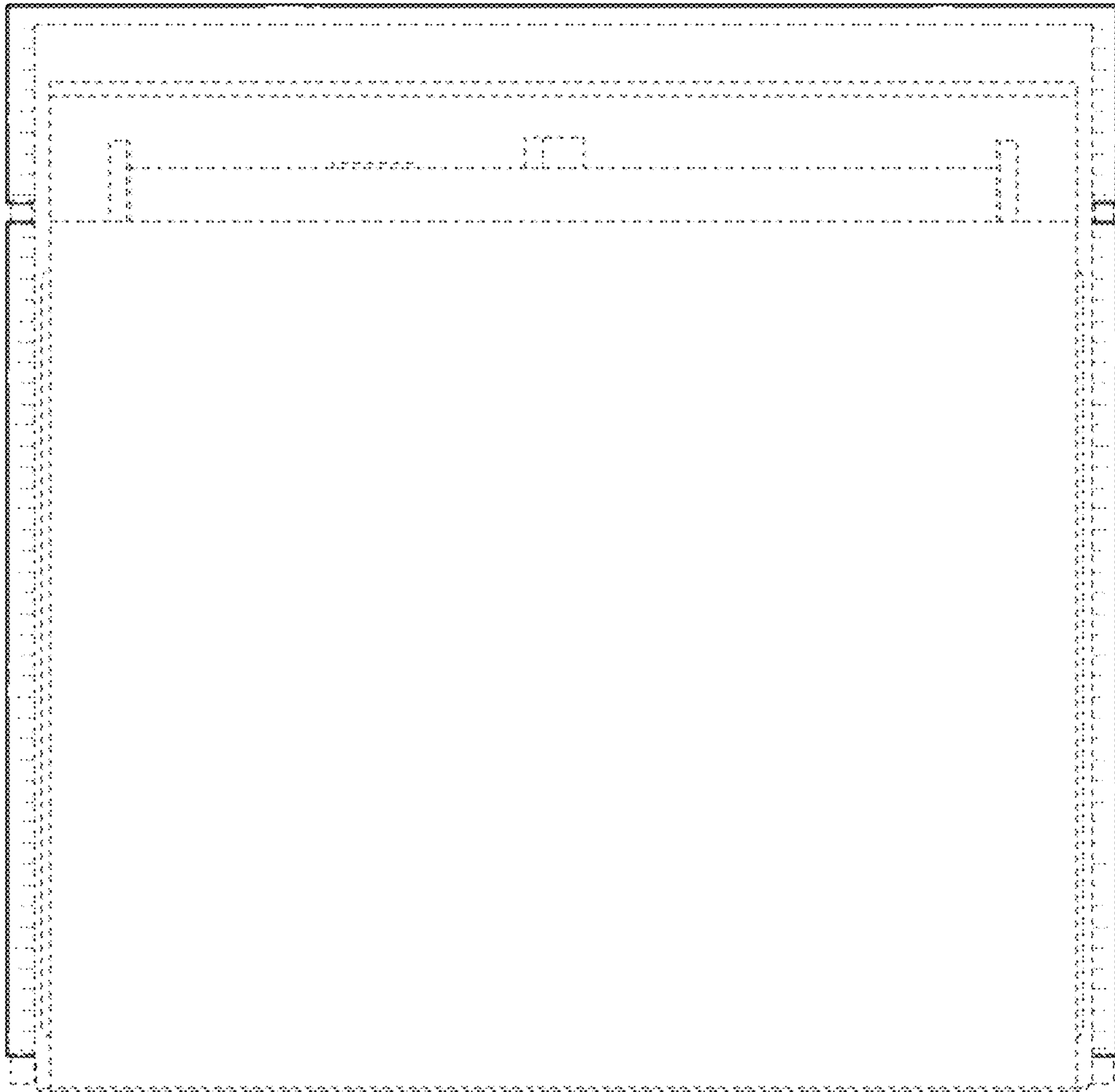


FIG. 3

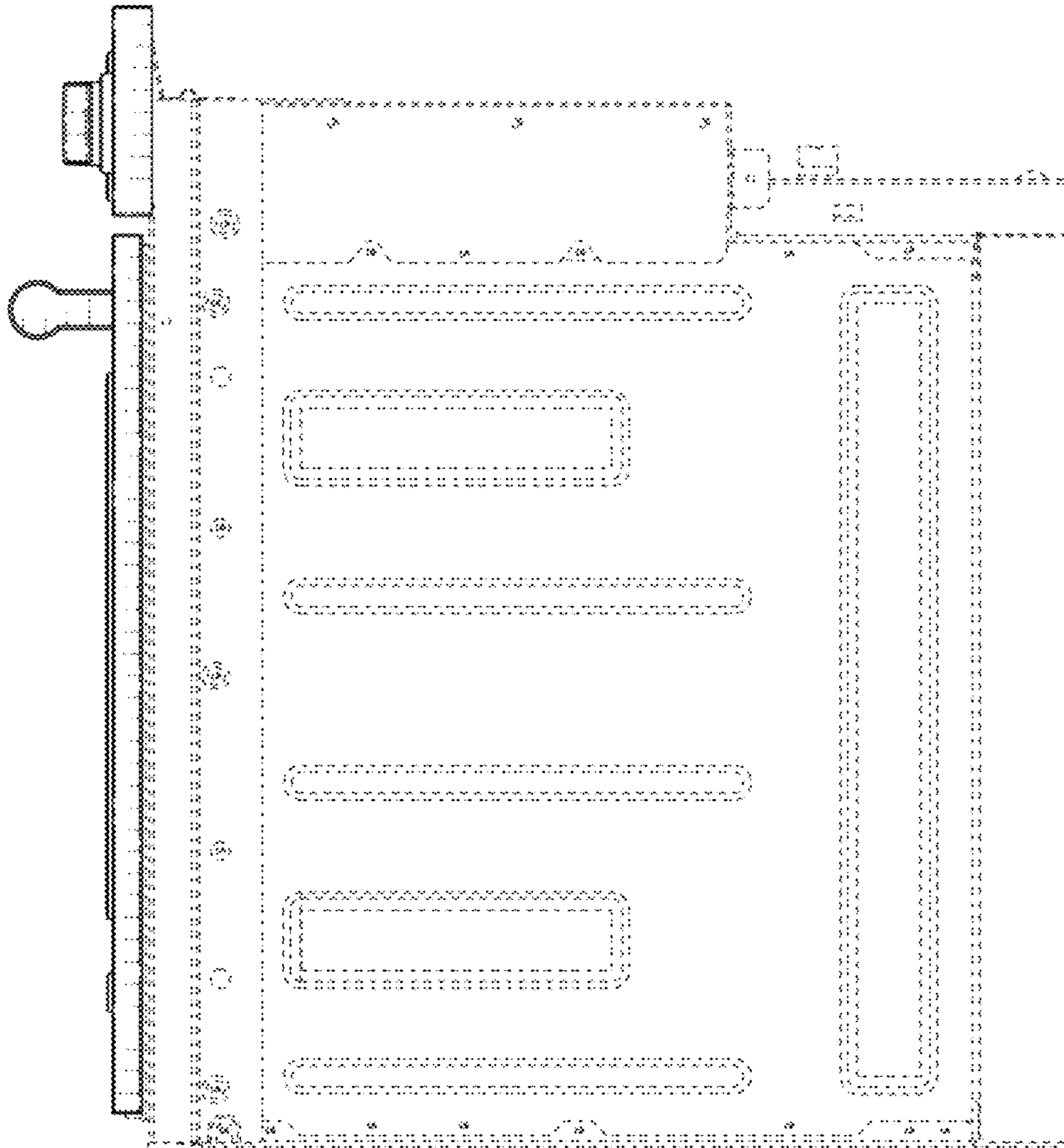


FIG. 4

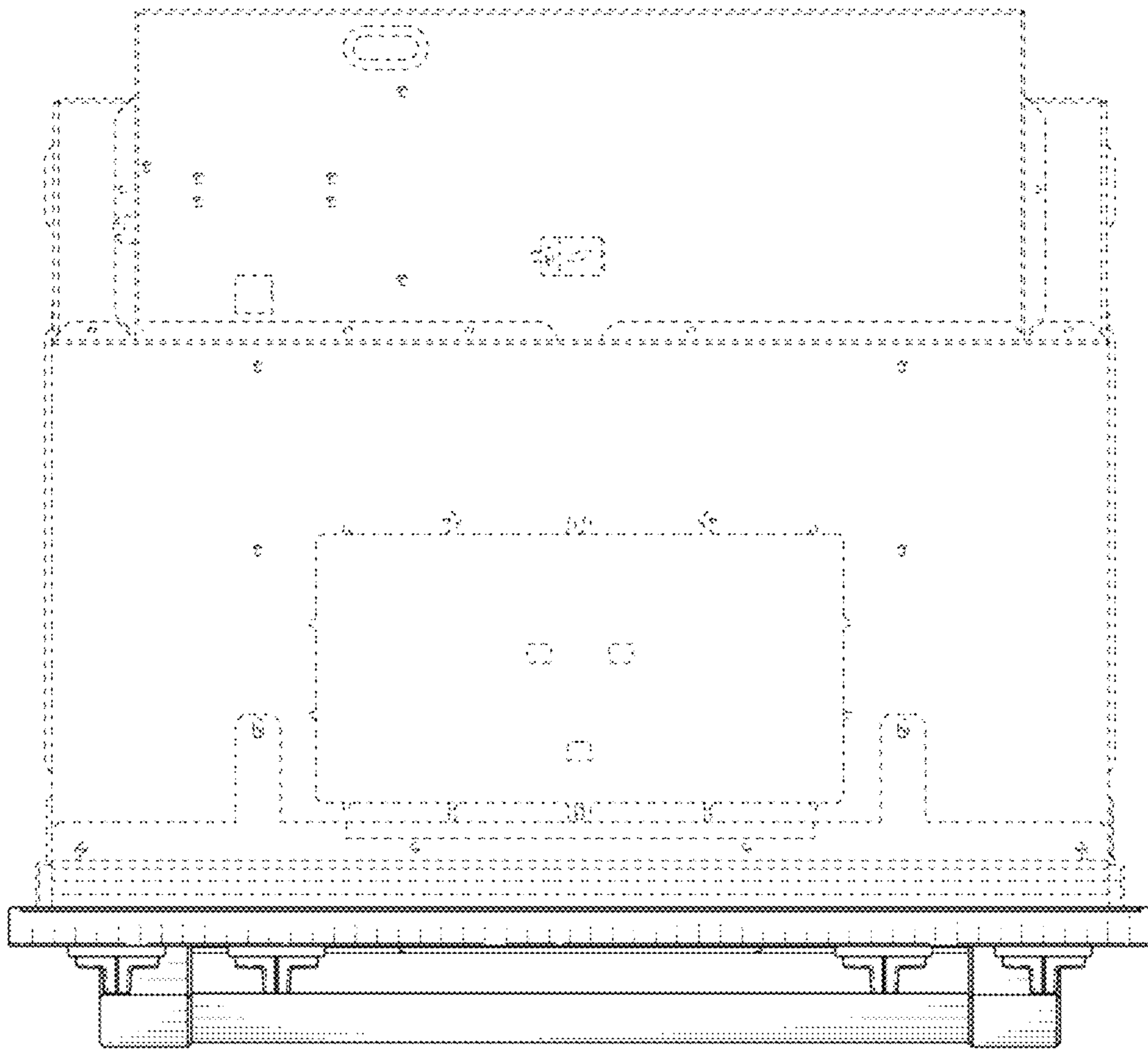


FIG. 5

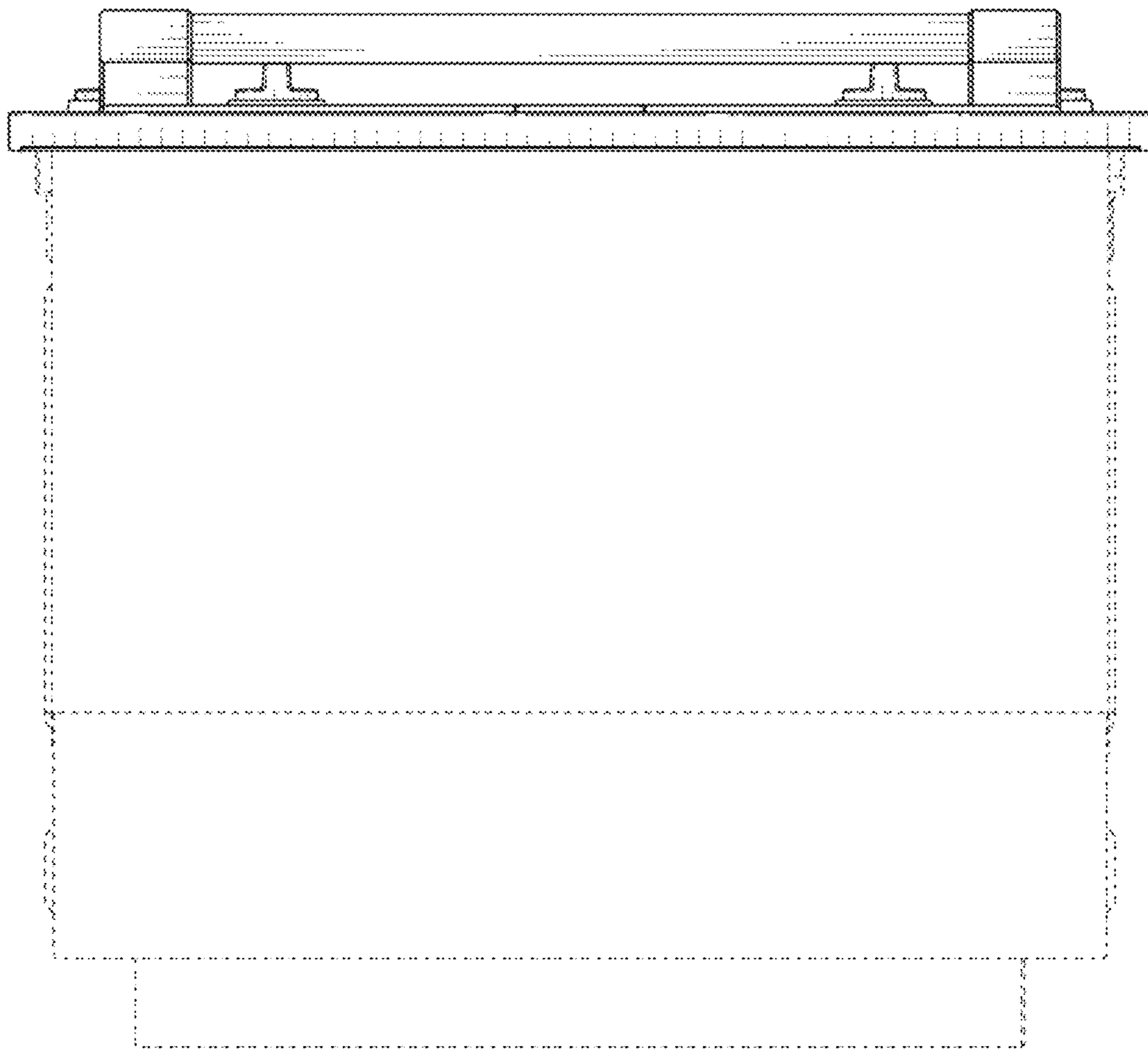


FIG. 6

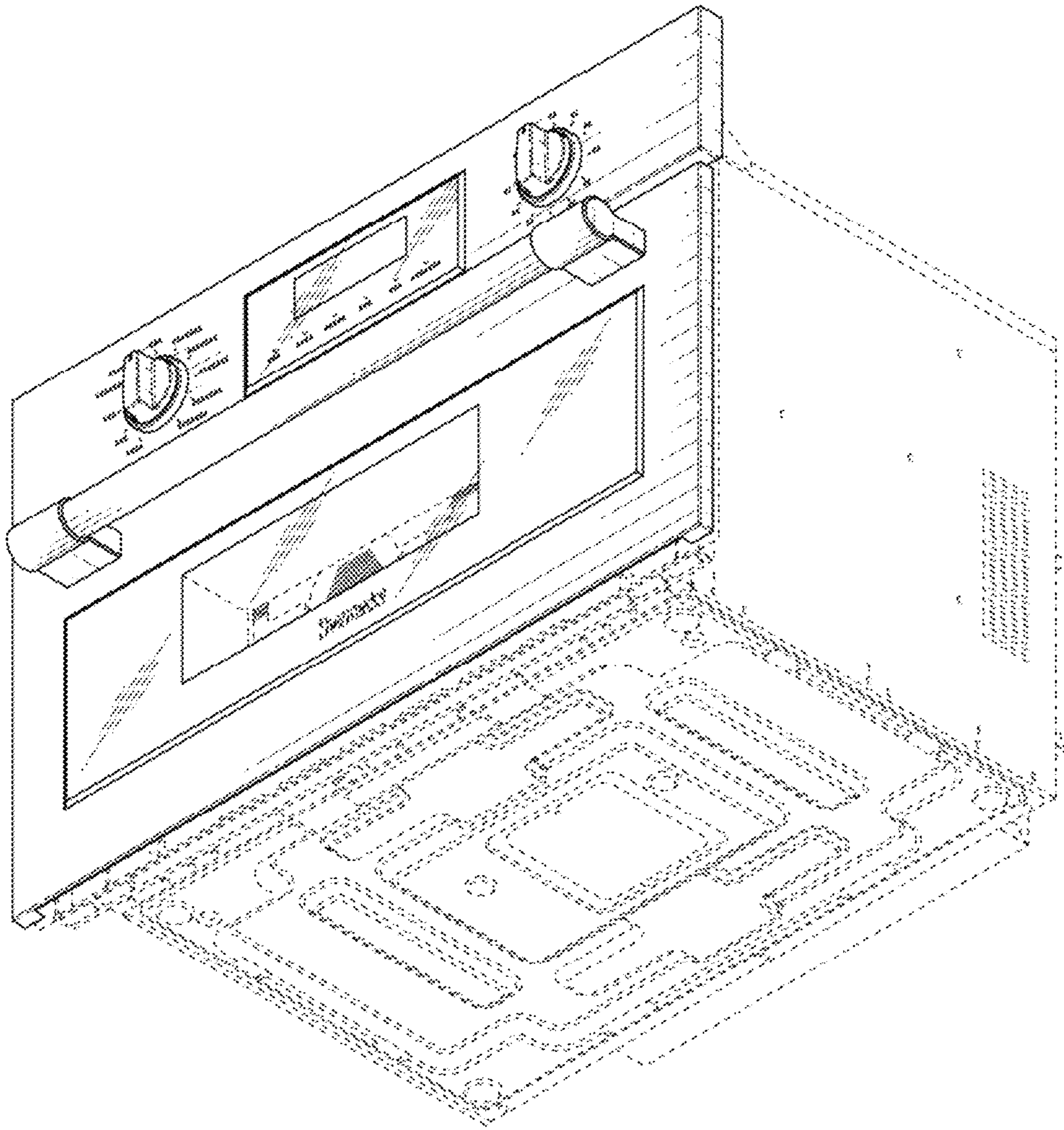


FIG. 7

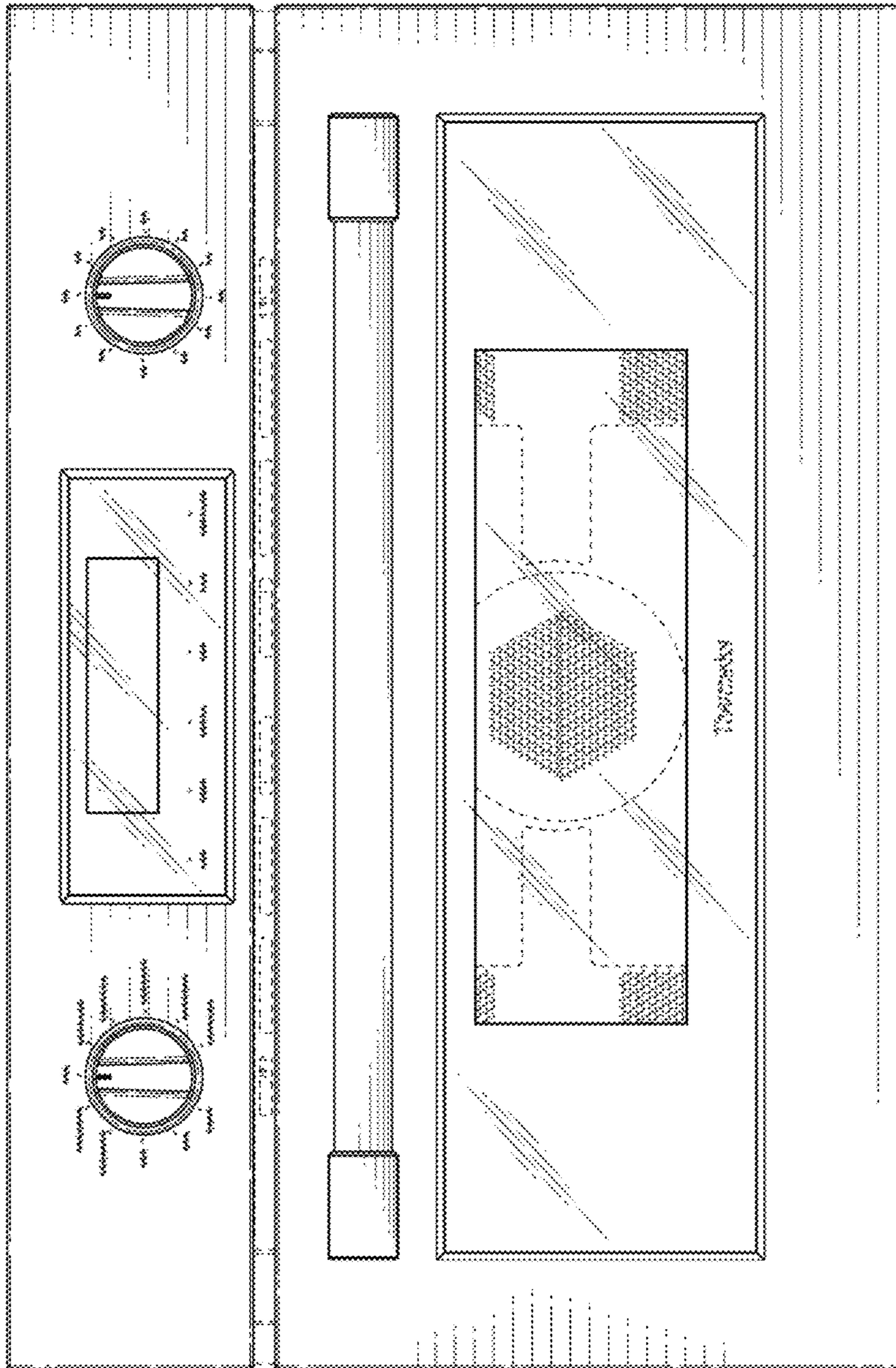


FIG. 8

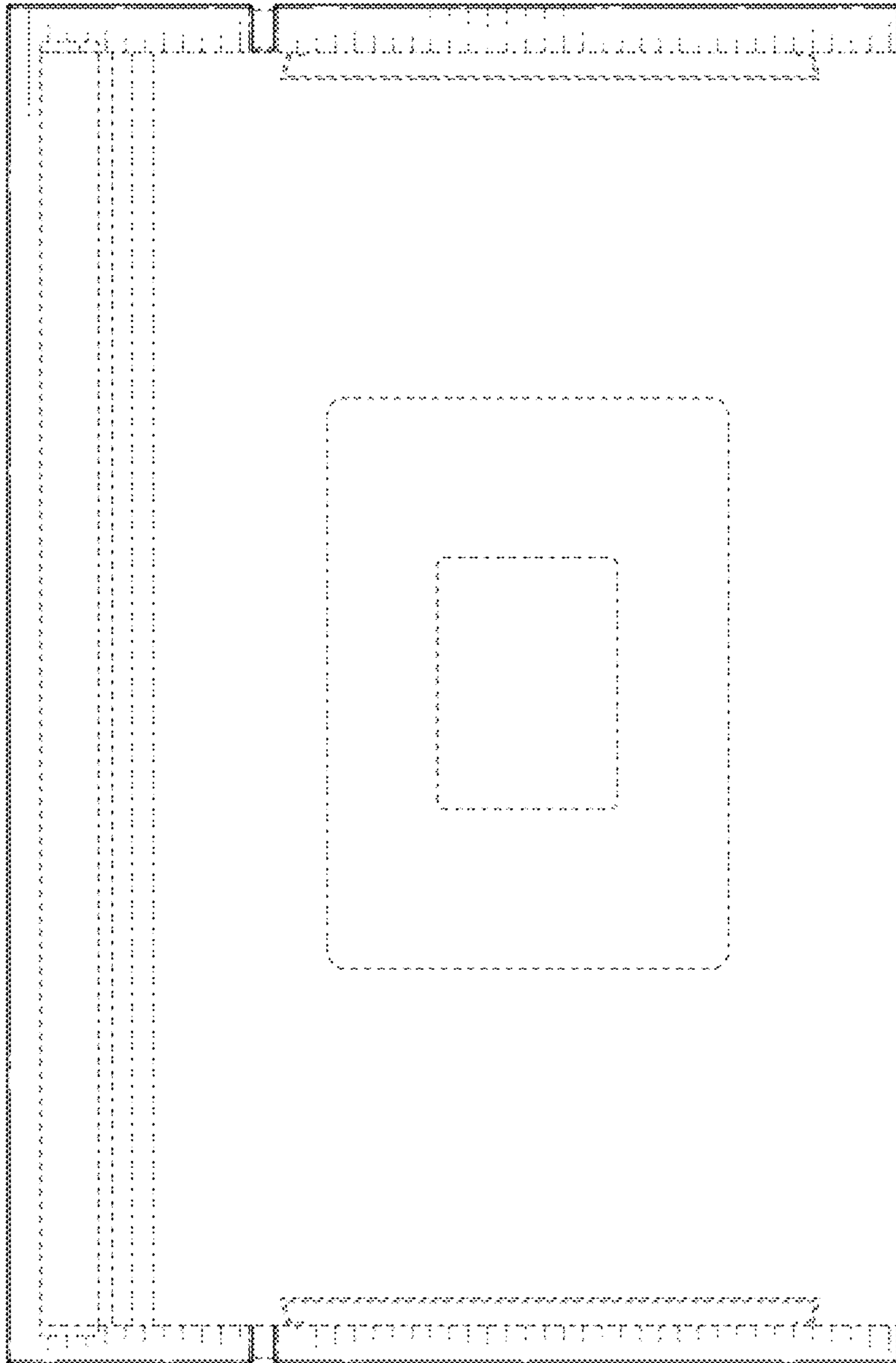


FIG. 9

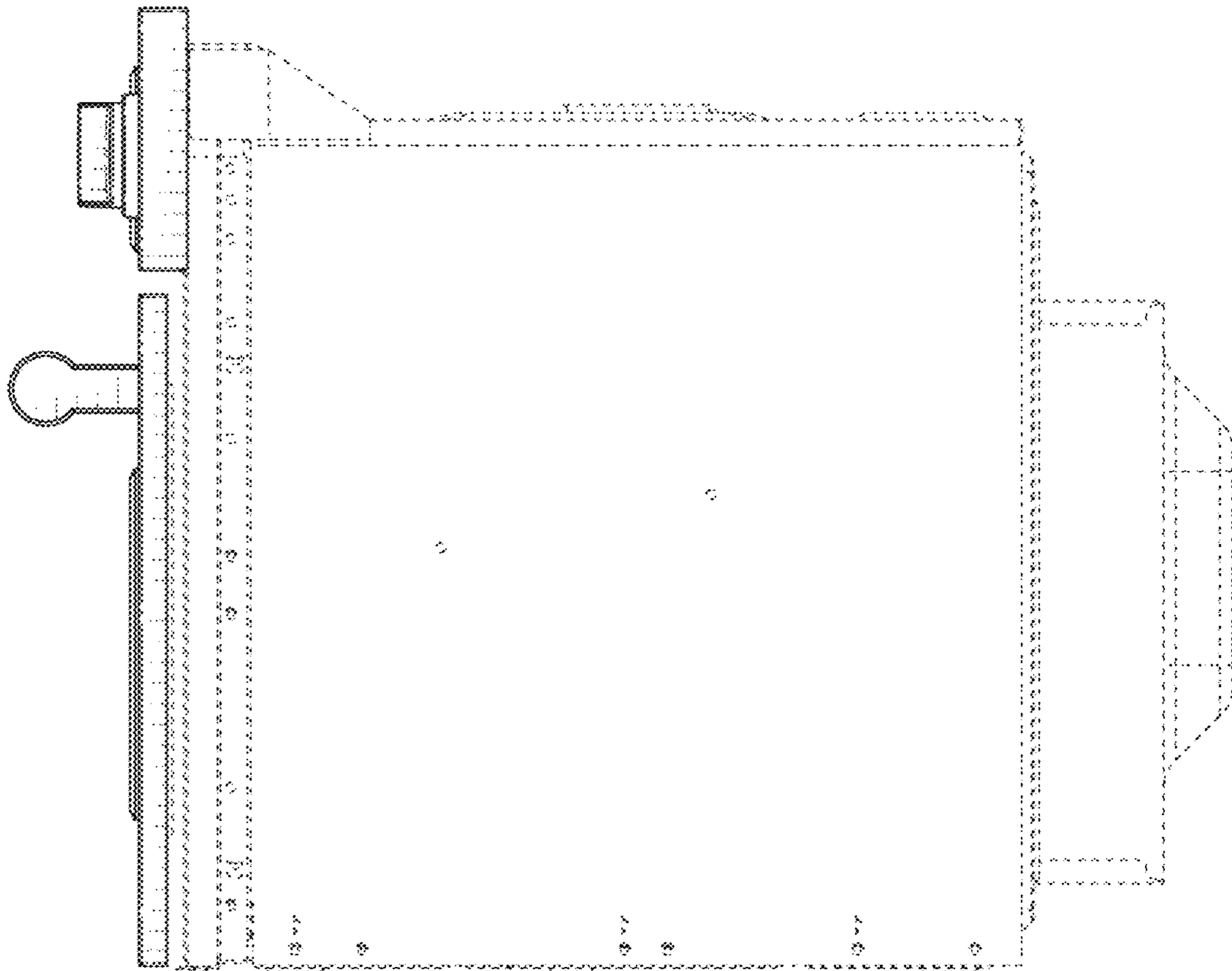


FIG. 10

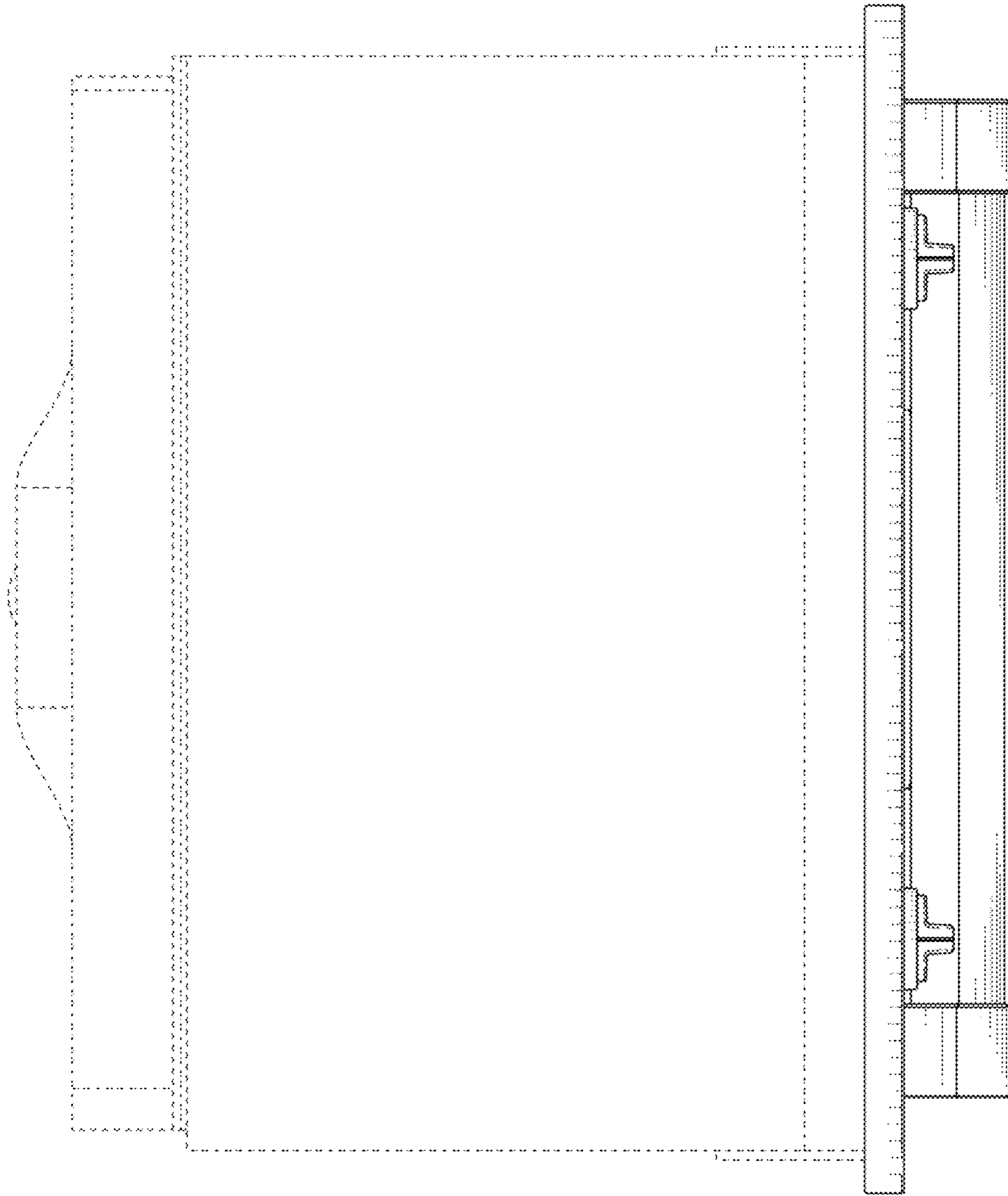


FIG. 11

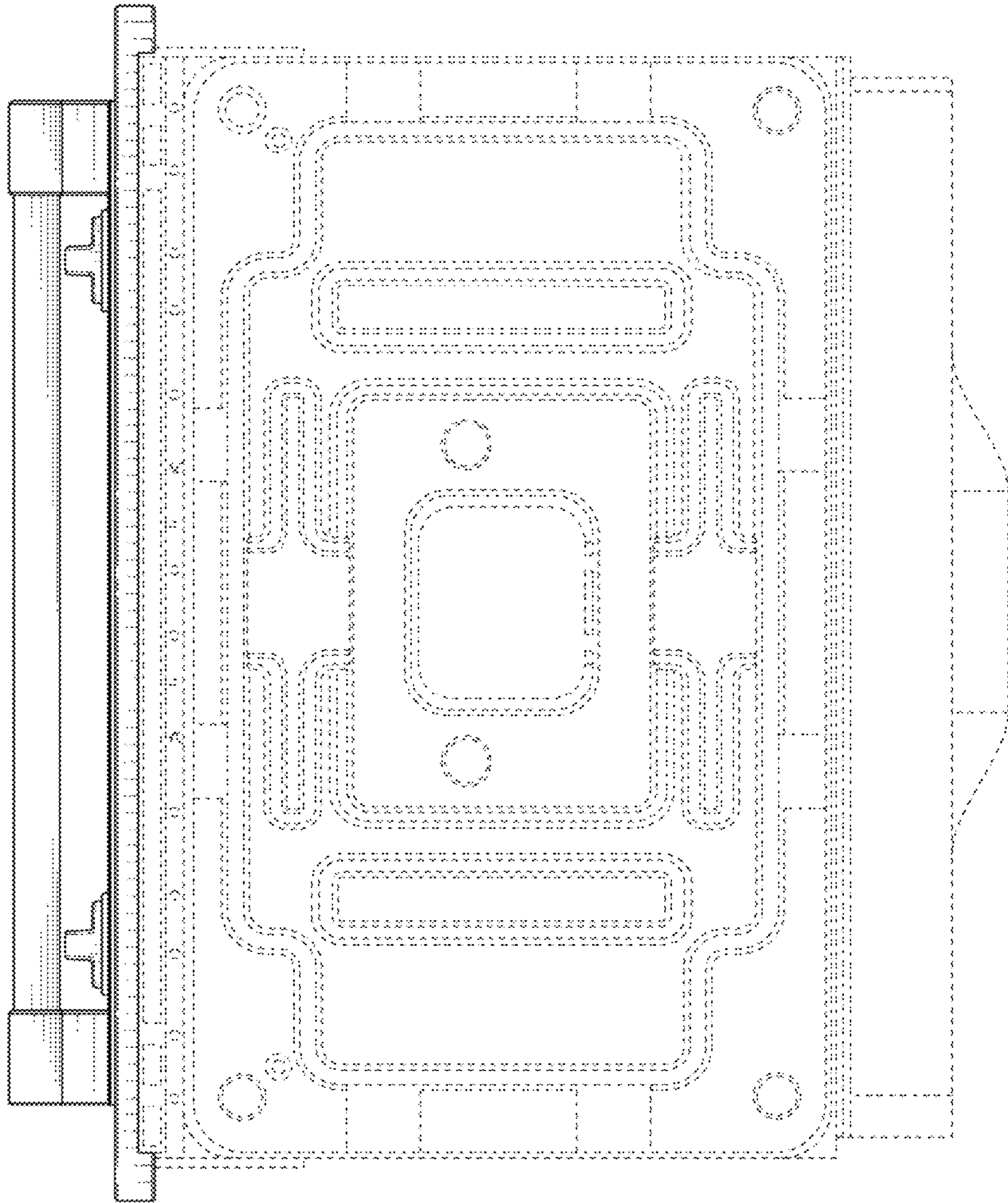


FIG. 12