



US00D883740S

(12) **United States Design Patent** (10) **Patent No.:** **US D883,740 S**
Ökmen et al. (45) **Date of Patent:** **** May 12, 2020**

- (54) **TURKISH COFFEE MAKER**
- (71) Applicant: **ARÇELİK A.S.**, Istanbul (TR)
- (72) Inventors: **Aslı Ökmen**, Tuzla Istanbul (TR);
Nihat Duran, Tuzla Istanbul (TR);
Gizem Durakoglu Emre, Tuzla
Istanbul (TR); **Can Onur Vancı**, Tuzla
Istanbul (TR); **Özlem Kök Gültekin**,
Tuzla Istanbul (TR); **Tamer Yüksek**,
Tuzla Istanbul (TR); **Dogaç Can**
Sagirosmannoglu, Tuzla Istanbul (TR);
Ece Çınar, Tuzla Istanbul (TR)
- (73) Assignee: **Arçelik A.S.**, Istanbul (TR)
- (**) Term: **15 Years**
- (21) Appl. No.: **29/721,652**
- (22) Filed: **Jan. 22, 2020**

- D615,339 S 5/2010 Bronwasser
- D707,485 S 6/2014 Thul et al.
- D775,887 S 1/2017 Atkin et al.
- D793,146 S 8/2017 Palermo et al.
- D811,794 S 3/2018 Palermo et al.
- D823,039 S 7/2018 Grassia
- D846,934 S 4/2019 Tewari
- D878,857 S * 3/2020 Okmen et al. D7/399

Related U.S. Application Data

- (62) Division of application No. 35/505,657, filed on Mar. 21, 2018 (U.S. filing date under 35 U.S.C. 384), and having an international filing date of Mar. 21, 2018, now Pat. No. Des. 878,857.
- (51) **LOC (12) Cl.** **07-99**
- (52) **U.S. Cl.**
USPC **D7/399**
- (58) **Field of Classification Search**
USPC D7/300, 305–315, 397–400
CPC .. A47J 31/40; A47J 31/42; A47J 31/10; A47J
31/24; A47J 31/4485; A47J 31/02
See application file for complete search history.

References Cited

U.S. PATENT DOCUMENTS

- D497,510 S 10/2004 Comorera Ivanov
- D541,097 S 4/2007 Leverrier
- D575,977 S 9/2008 Rose

OTHER PUBLICATIONS

www.pazarska.com: Fakir Kaave Dual Pro Automatic Turkish Coffee Machine. © 2020; 7 pages. Found online Mar. 22, 2020 at <https://www.pazarska.com/products/fakir-kaave-dual-pro-automatic-turkish-coffee-machine-kaffeekoher-rose> (Year: 2020).*

cofeeshopuae.com: Beko Turkish Coffee Maker Double Pot TKM-8961 A-S. © 2020; 9 pages. Found online Mar. 22, 2020 at <https://cofeeshopuae.com/collections/beko-arcelik-turkish-coffee-maker/products/beko-turkish-coffee-maker-double-pot-tkm-8961-a-s?variant=31031189438506> (Year: 2020).*

* cited by examiner

Primary Examiner — Robert M. Spear
(74) *Attorney, Agent, or Firm* — Fox Rothschild LLP

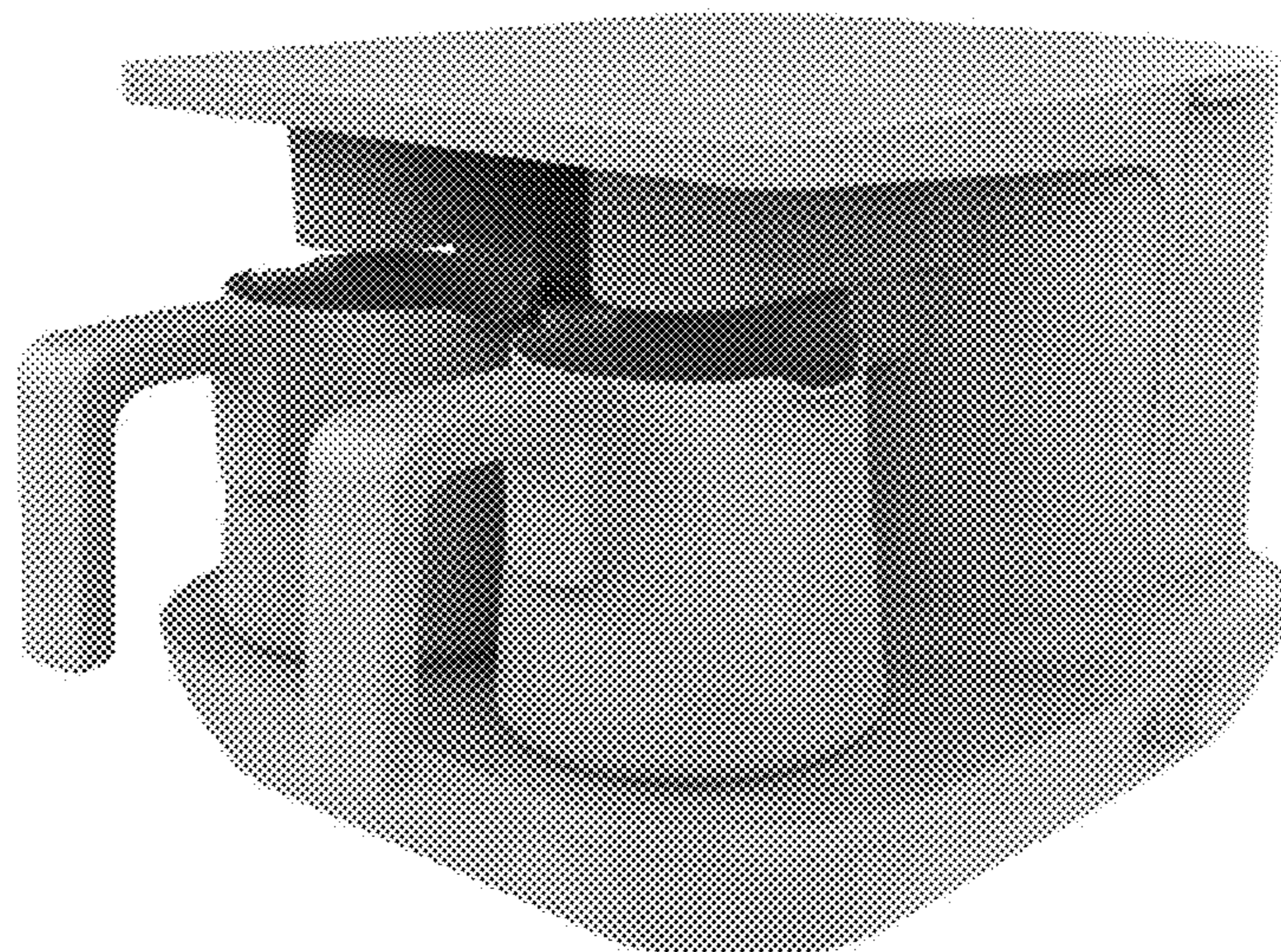
(57) **CLAIM**

The ornamental design for a Turkish coffee maker, as shown and described.

DESCRIPTION

FIG. 1 is a front view of a Turkish coffee maker according to the new design;
FIG. 2 is a back view thereof;
FIG. 3 is a right view thereof;
FIG. 4 is a left view thereof;
FIG. 5 is a top view thereof;
FIG. 6 is a bottom view thereof;
FIG. 7 is a left perspective view thereof;
FIG. 8 is a right perspective view thereof;
FIG. 9 is a right back perspective view thereof; and,
FIG. 10 is a left back perspective view thereof.

1 Claim, 10 Drawing Sheets



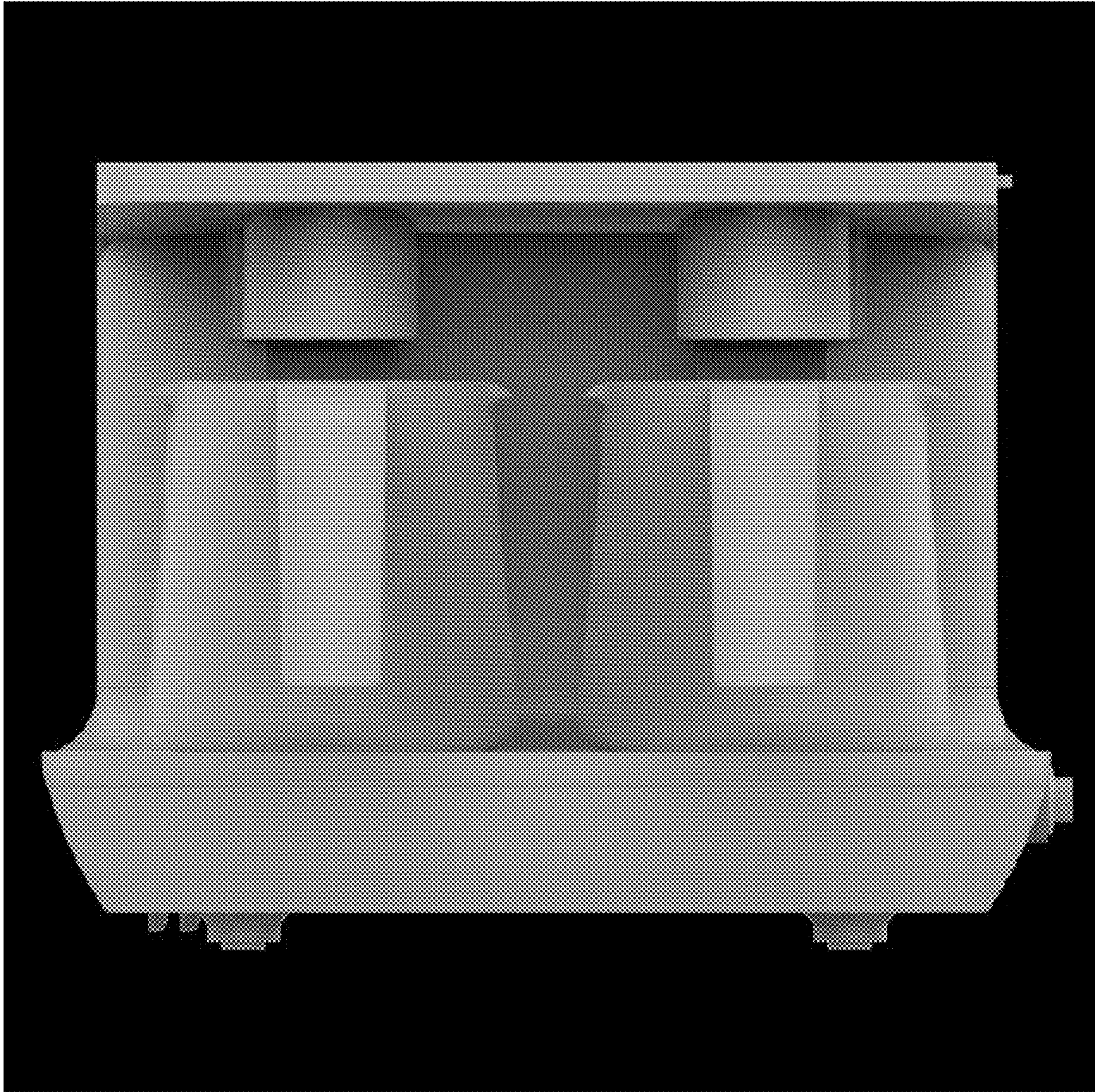


FIG. 1

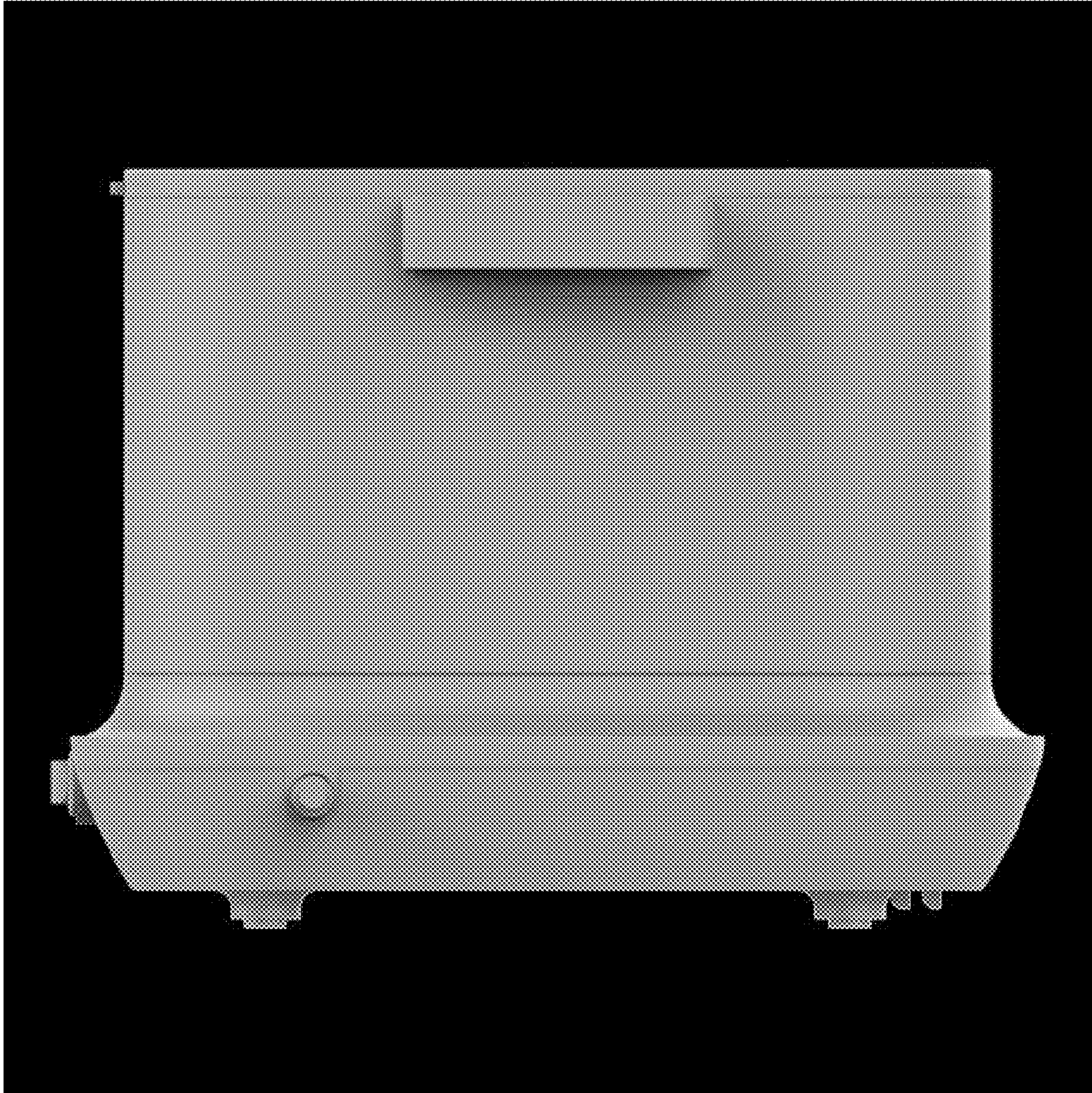


FIG. 2

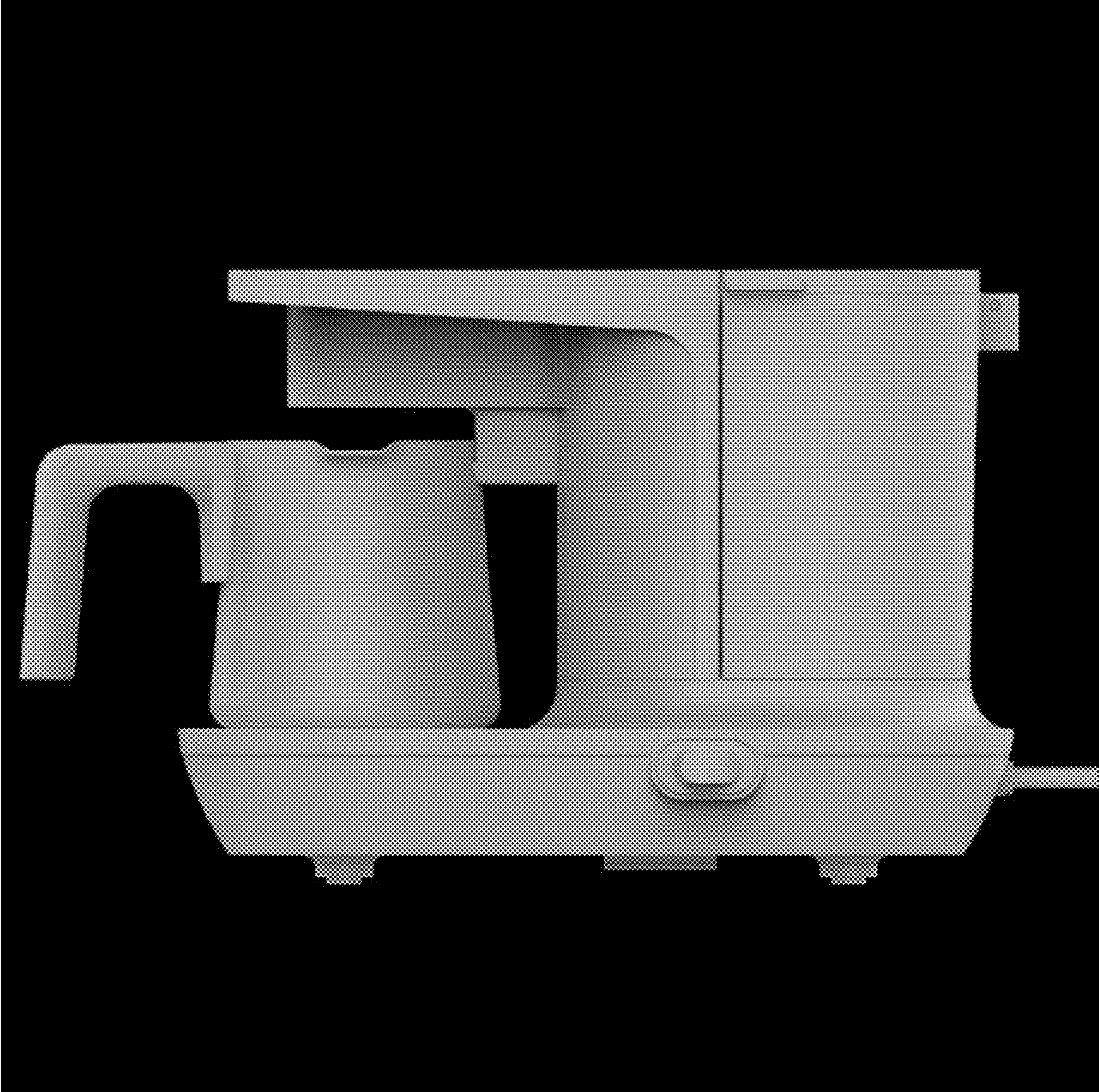


FIG. 3

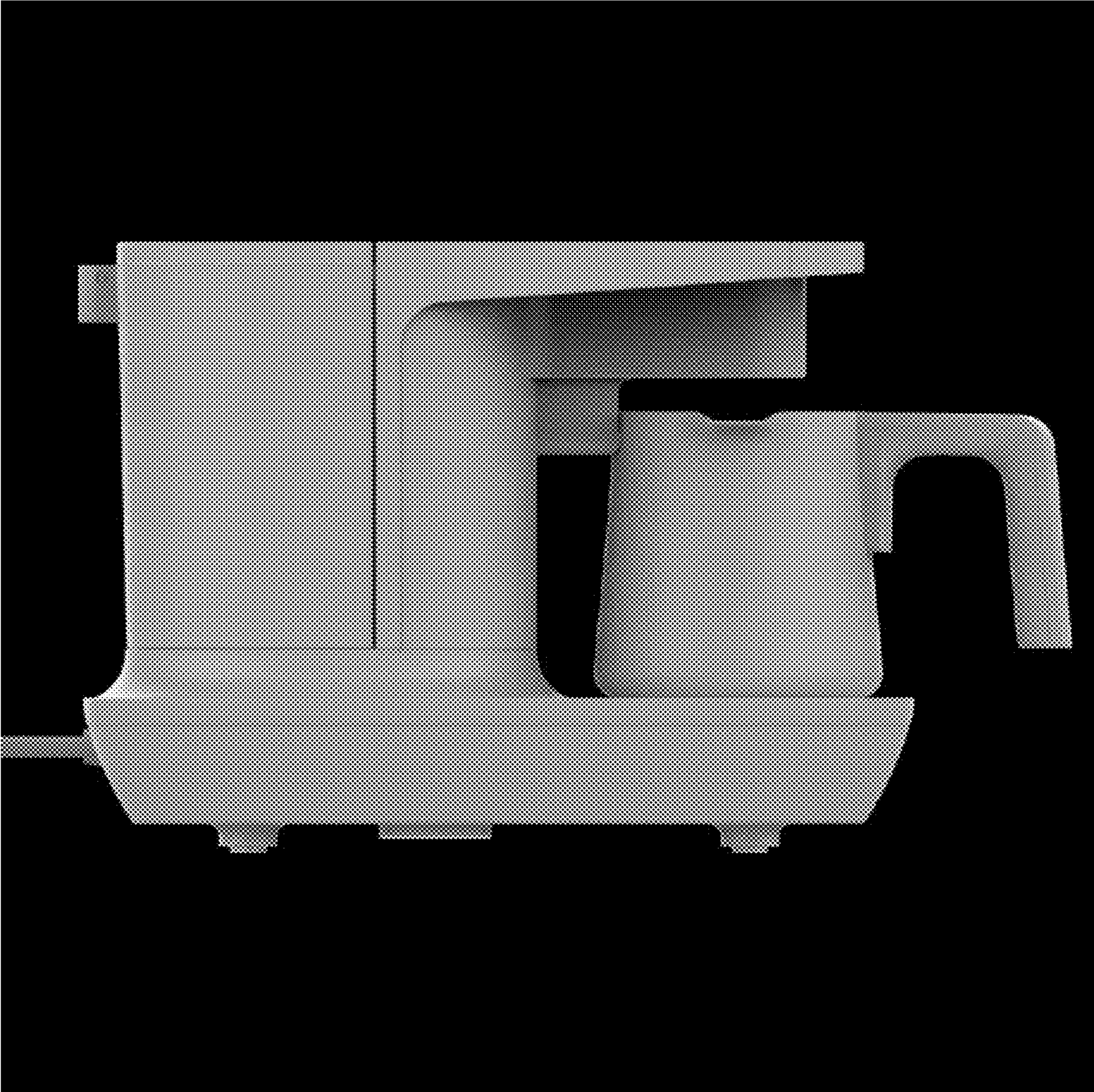


FIG. 4

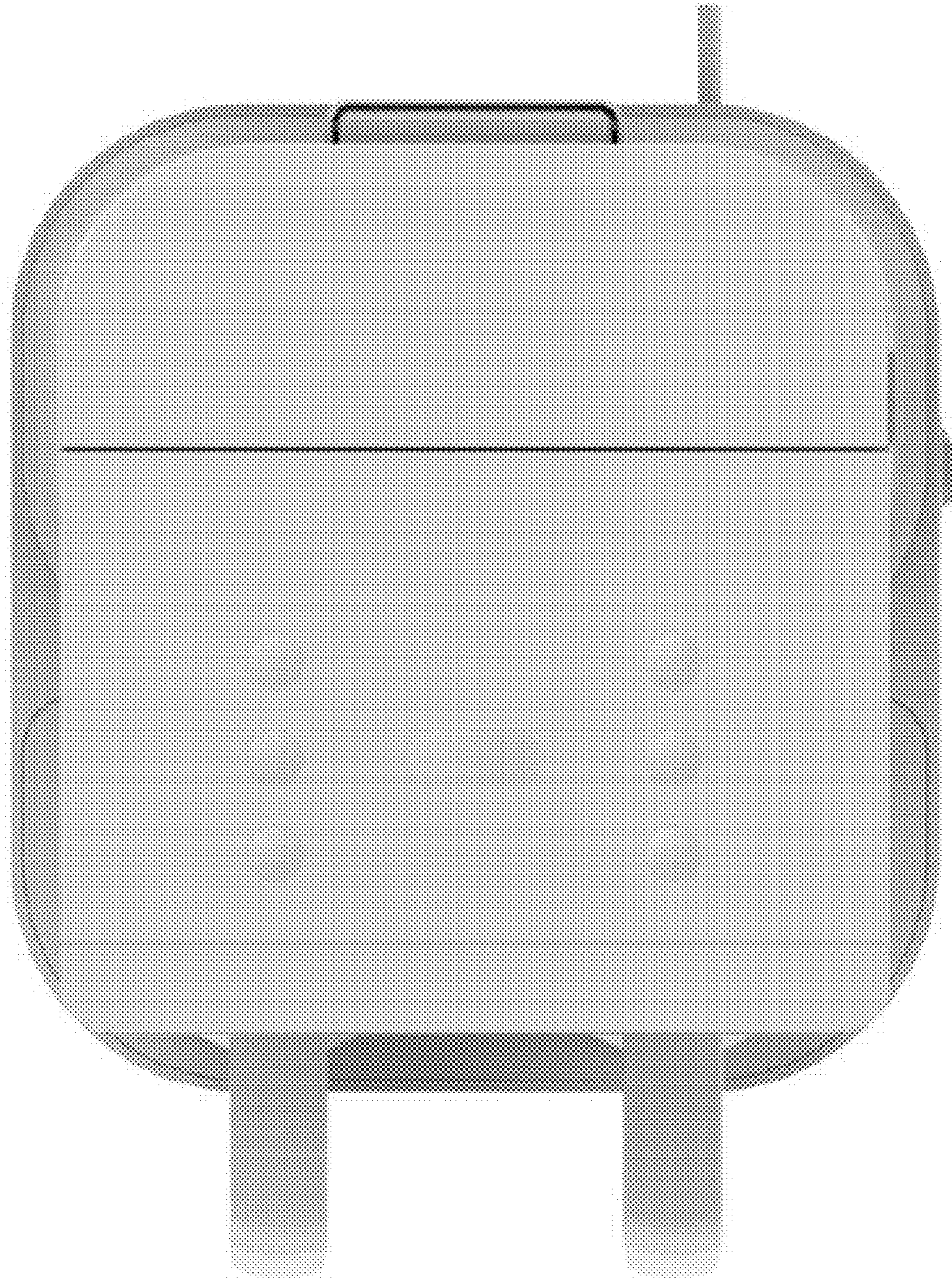


FIG. 5

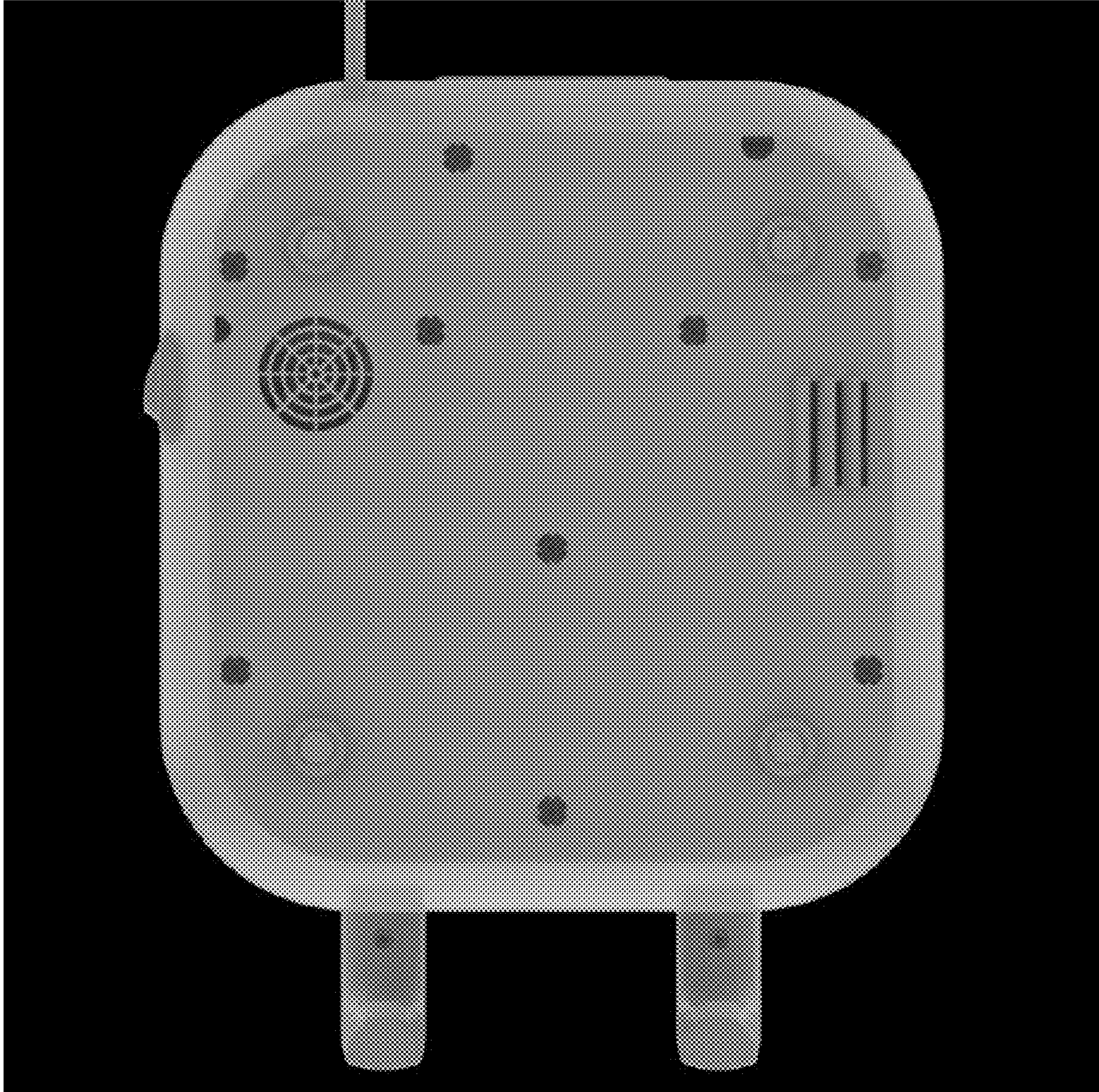


FIG. 6

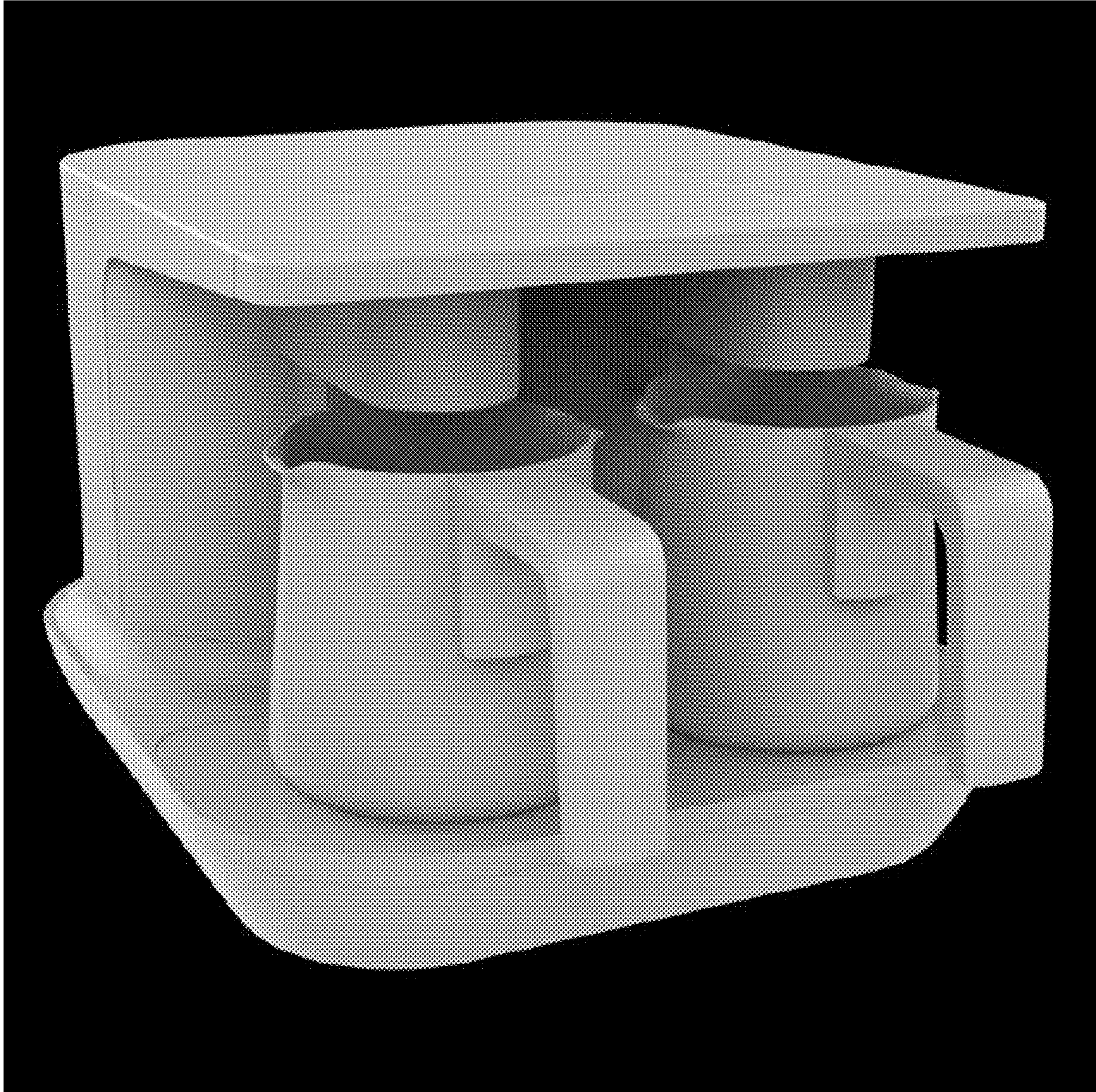


FIG. 7

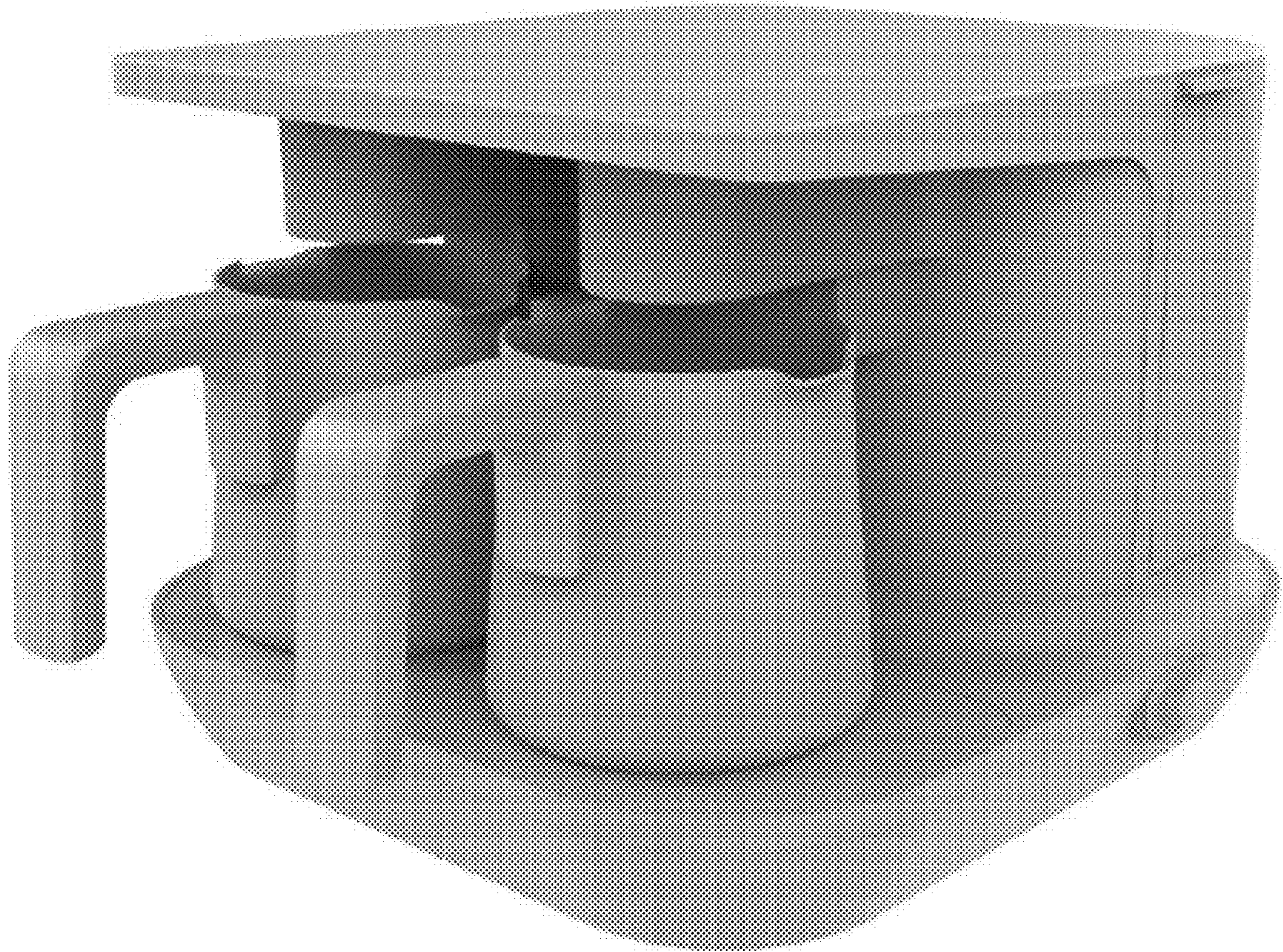


FIG. 8



FIG. 9



FIG. 10