



US00D883739S

(12) **United States Design Patent** (10) **Patent No.:** **US D883,739 S**
Koury et al. (45) **Date of Patent:** **** May 12, 2020**

- (54) **CONTAINER**
- (71) Applicant: **Keurig Green Mountain, Inc.**,
Burlington, MA (US)
- (72) Inventors: **Steffen F. Koury**, Nahant, MA (US);
Paul K. Metaxatos, Swampscott, MA
(US); **Benjamin Hines**, Cranston, RI
(US); **Brent Boswell**, Melrose, MA
(US); **Benjamin Worth Coble**,
Cambridge, MA (US)
- (73) Assignee: **Keurig Green Mountain, Inc.**,
Burlington, MA (US)
- (**) Term: **15 Years**
- (21) Appl. No.: **29/641,165**
- (22) Filed: **Mar. 20, 2018**
- (51) **LOC (12) Cl.** **07-99**
- (52) **U.S. Cl.**
USPC **D7/397; D7/543; D7/318; D9/531**
- (58) **Field of Classification Search**
USPC **D7/300, 302, 303, 305, 397, 399,**
D7/316-319, 600, 602, 619.1; D9/516,
D9/523, 524, 527, 528; D23/212
CPC **A47J 27/21058; A47J 31/40; A47J 31/41;**
A47G 19/12; A47G 19/14; A47G 19/145;
B01D 35/02; B65D 47/06
See application file for complete search history.

- 7,377,162 B2 5/2008 Lazaris
- D576,250 S * 9/2008 Born D23/209
- 7,513,278 B2 * 4/2009 Hengesperger A47J 31/605
141/335
- D708,887 S * 7/2014 Duran D7/316
- D745,804 S * 12/2015 Baacke D7/402
- D775,711 S * 1/2017 Poindexter D23/209
- D817,713 S * 5/2018 Lin D7/510
- D828,069 S * 9/2018 Bell D7/319
- D833,795 S * 11/2018 Bell D7/318

* cited by examiner

Primary Examiner — Derrick E Holland

Assistant Examiner — Andrew Kerr

(74) *Attorney, Agent, or Firm* — Wolf, Greenfield & Sacks, P.C.

(57) **CLAIM**

The ornamental design for a container, as shown and described.

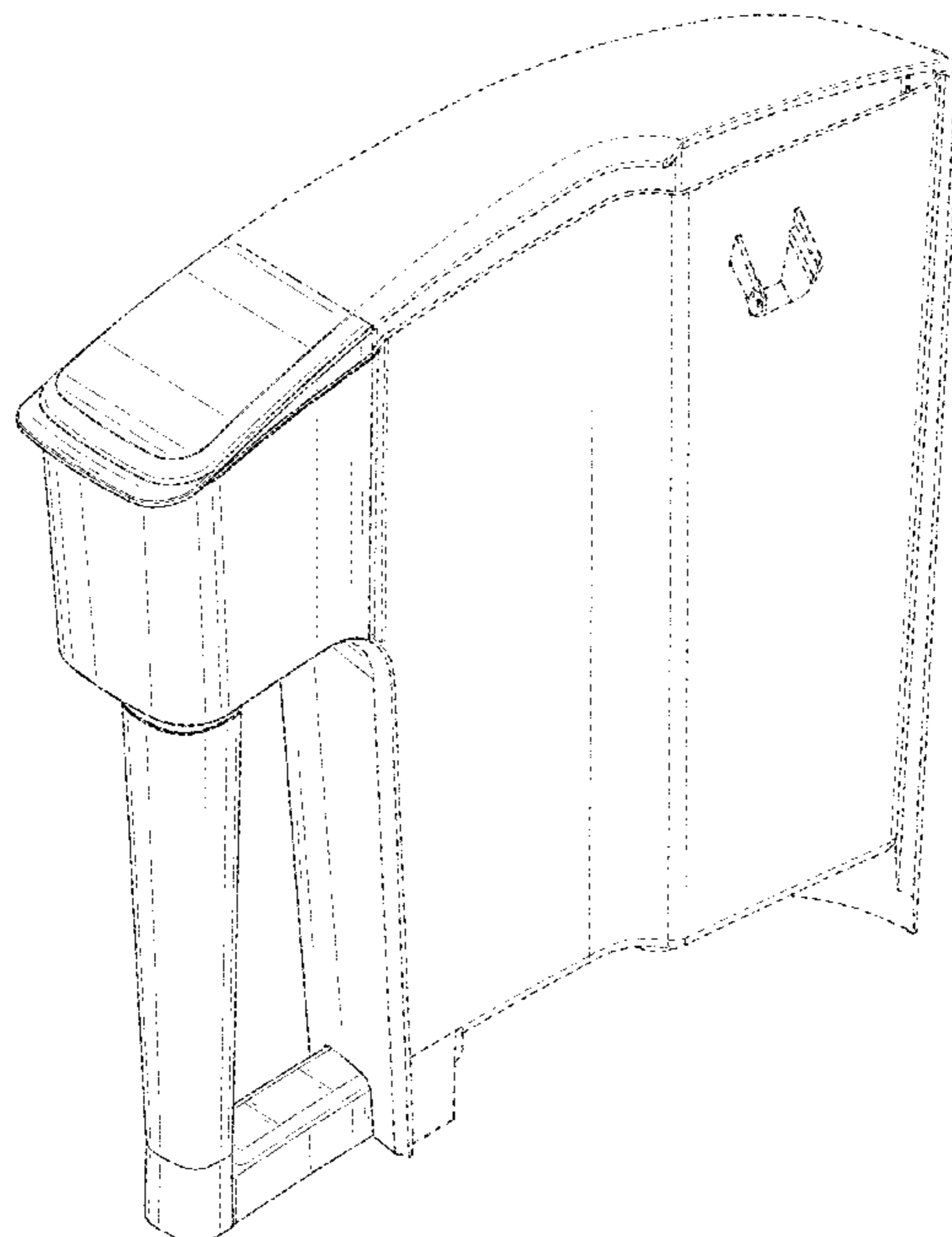
DESCRIPTION

FIG. 1 is a top, front, right side perspective view of a container showing our new design;
 FIG. 2 is a front elevation view thereof;
 FIG. 3 is a rear elevation view thereof;
 FIG. 4 is a right side elevation view thereof;
 FIG. 5 is a left side elevation view thereof;
 FIG. 6 is a top plan view thereof; and,
 FIG. 7 is a bottom plan view thereof.

The short dash - long dash broken lines represent boundaries of the claim and form no part of the claimed design. The dash-dash broken lines illustrate portions of the container that form no part of the claimed design.

1 Claim, 7 Drawing Sheets

- (56) **References Cited**
U.S. PATENT DOCUMENTS
1,961,181 A * 6/1934 Von Der Heydt A45C 11/22
220/326
D388,655 S * 1/1998 Flom D7/317



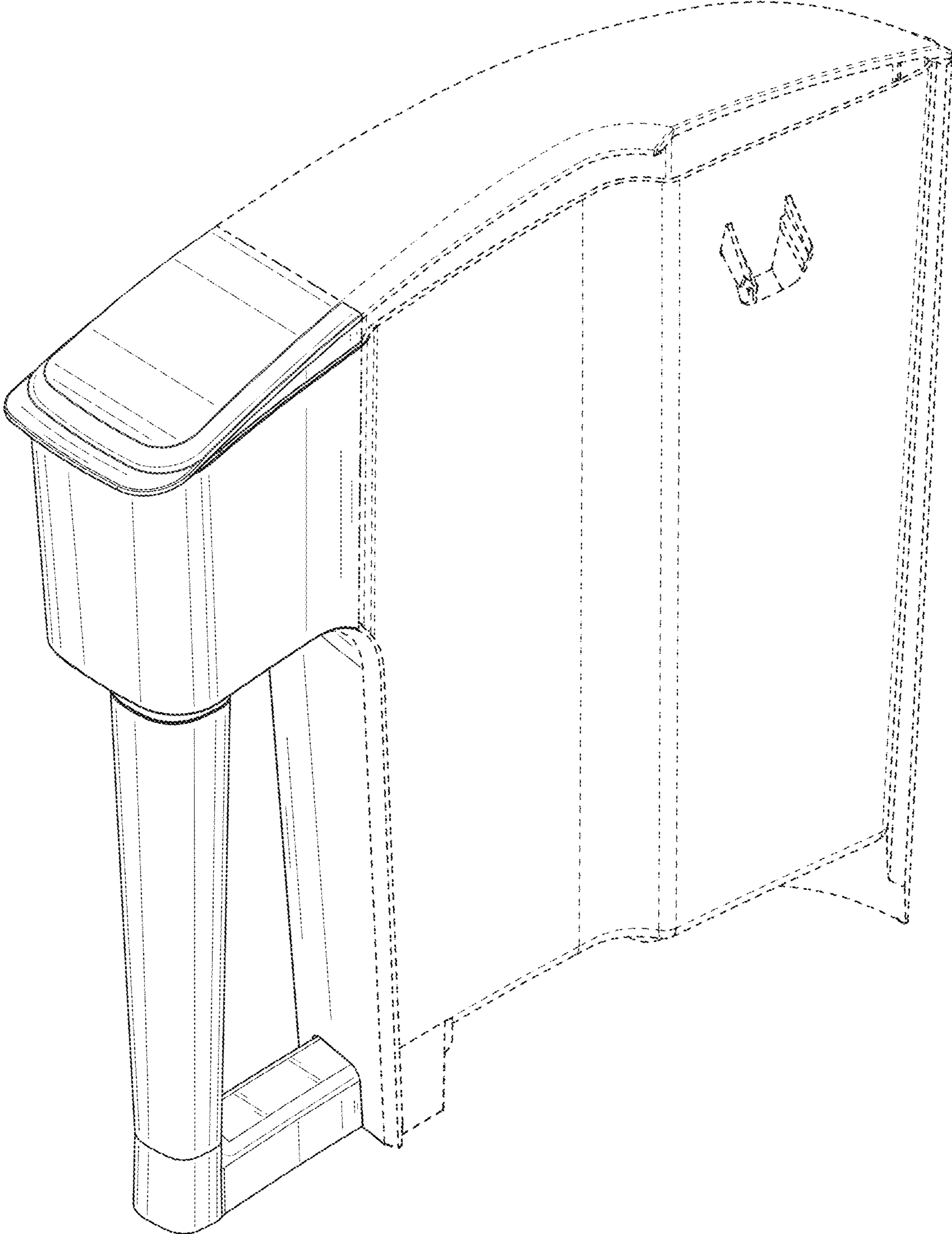


FIG. 1

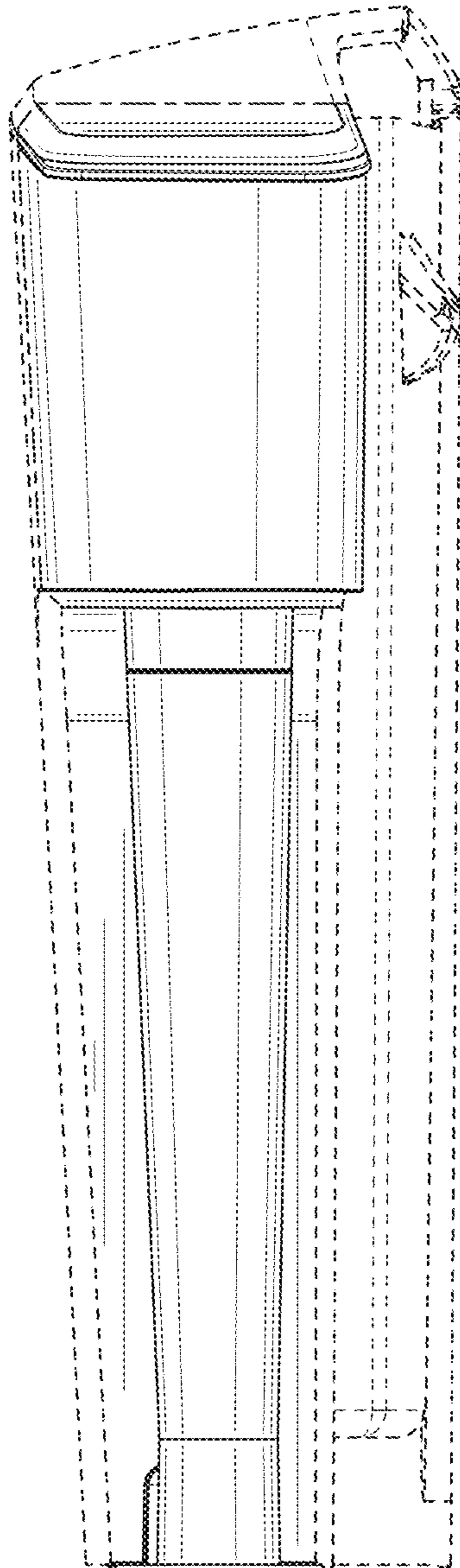


FIG. 2

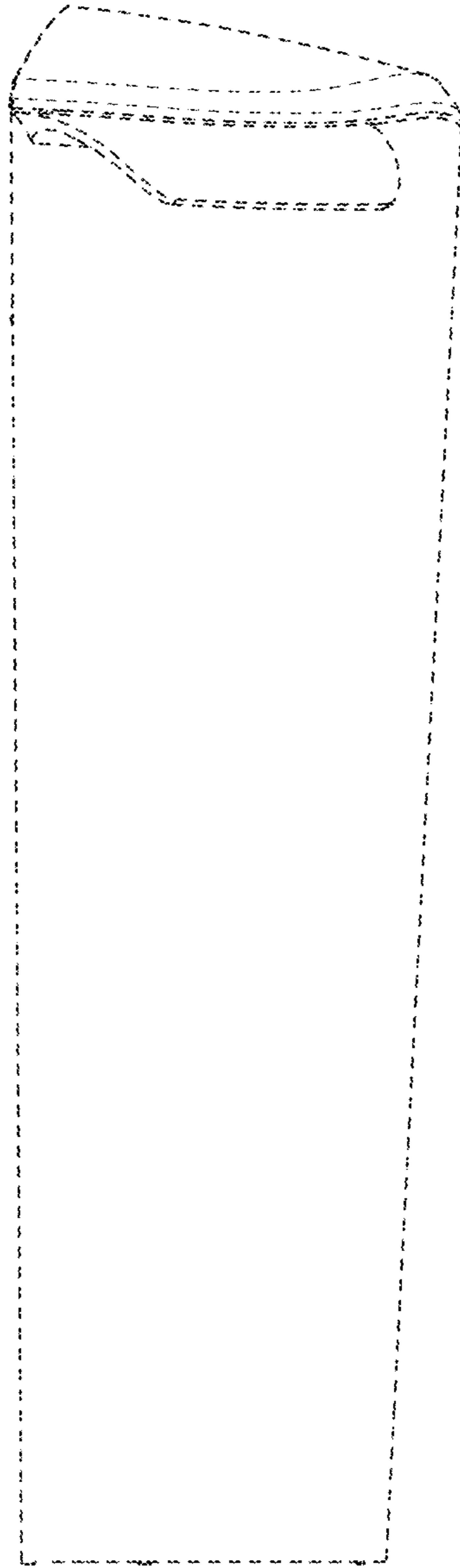


FIG. 3

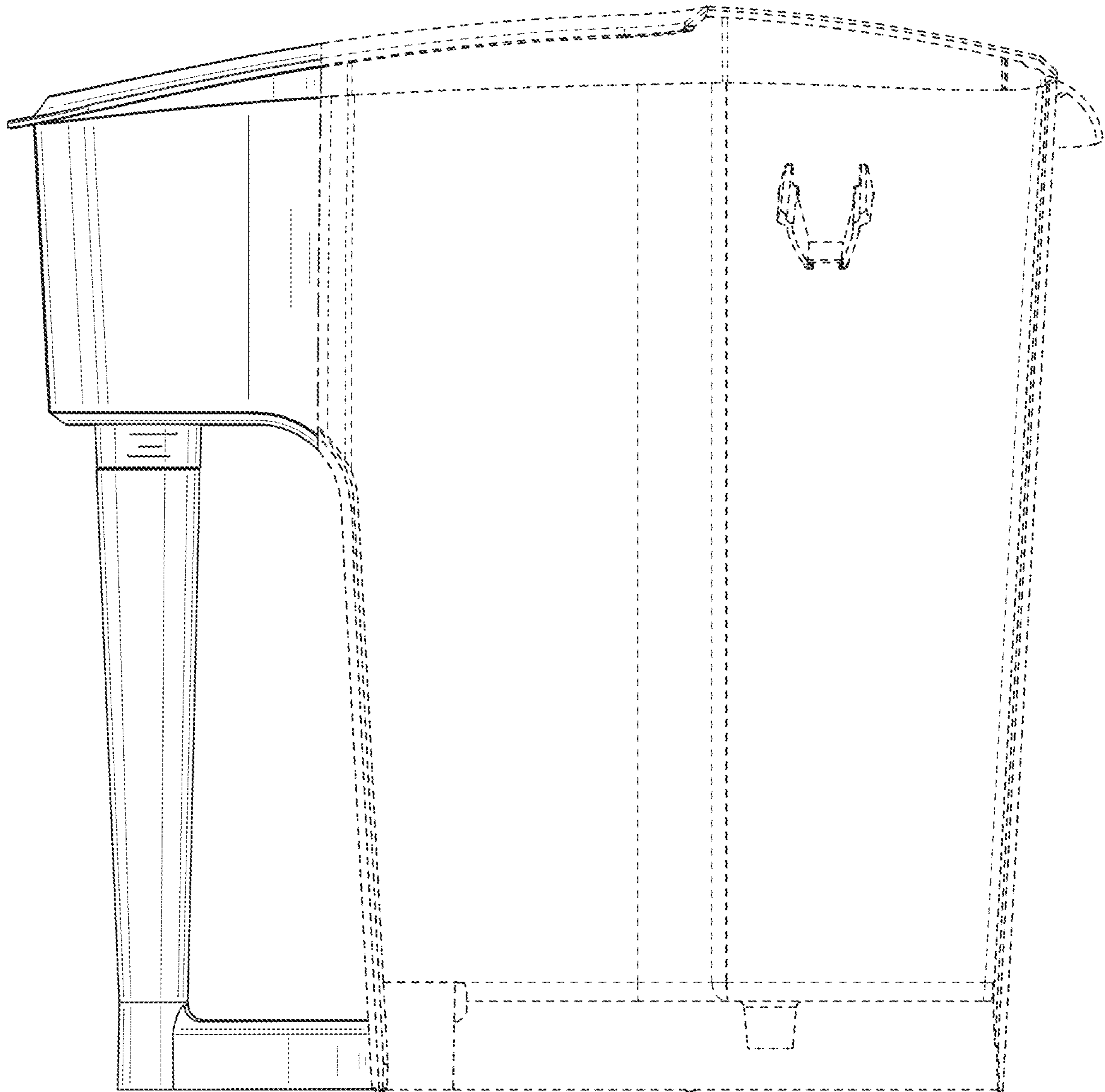


FIG. 4

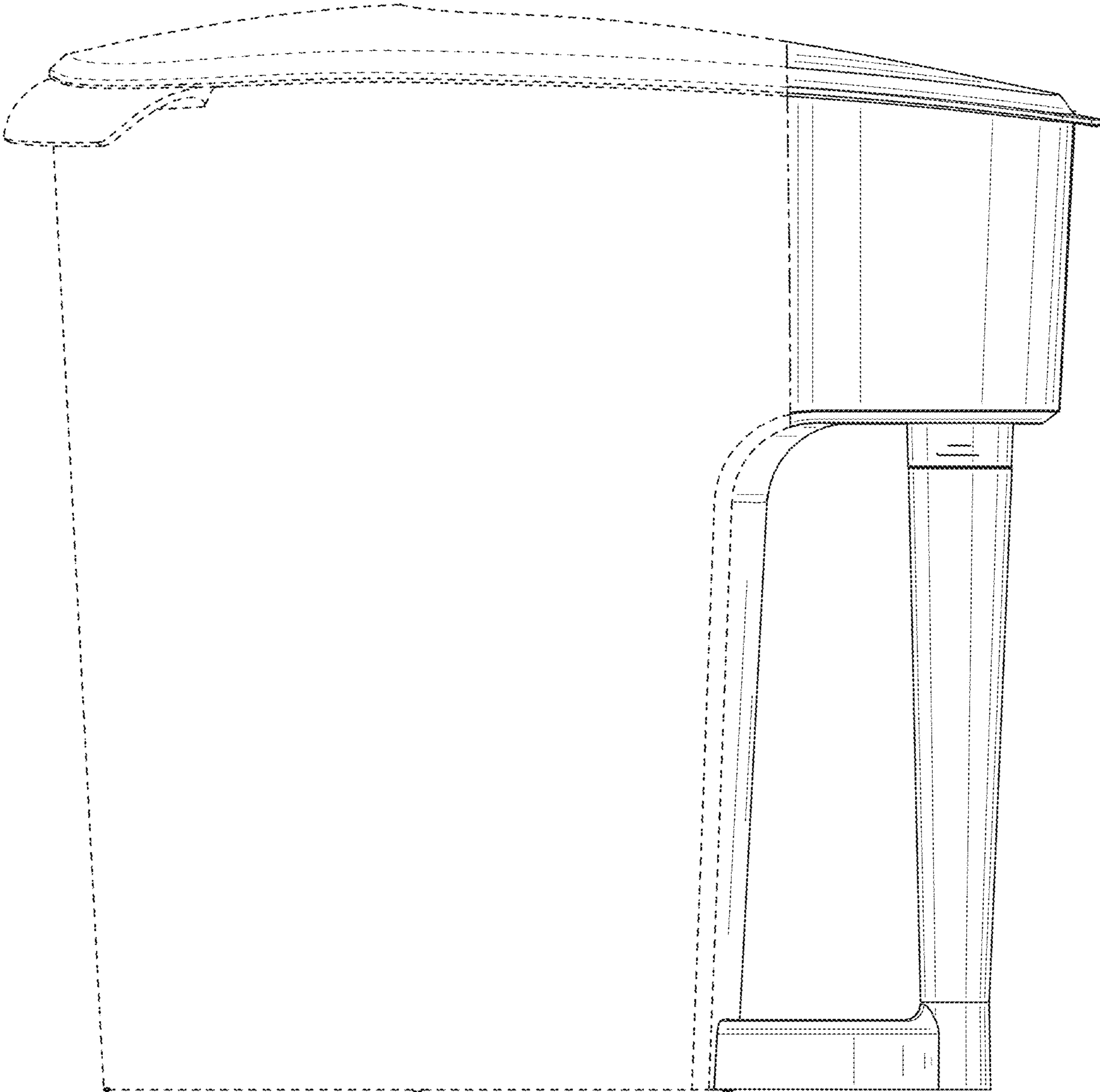


FIG. 5

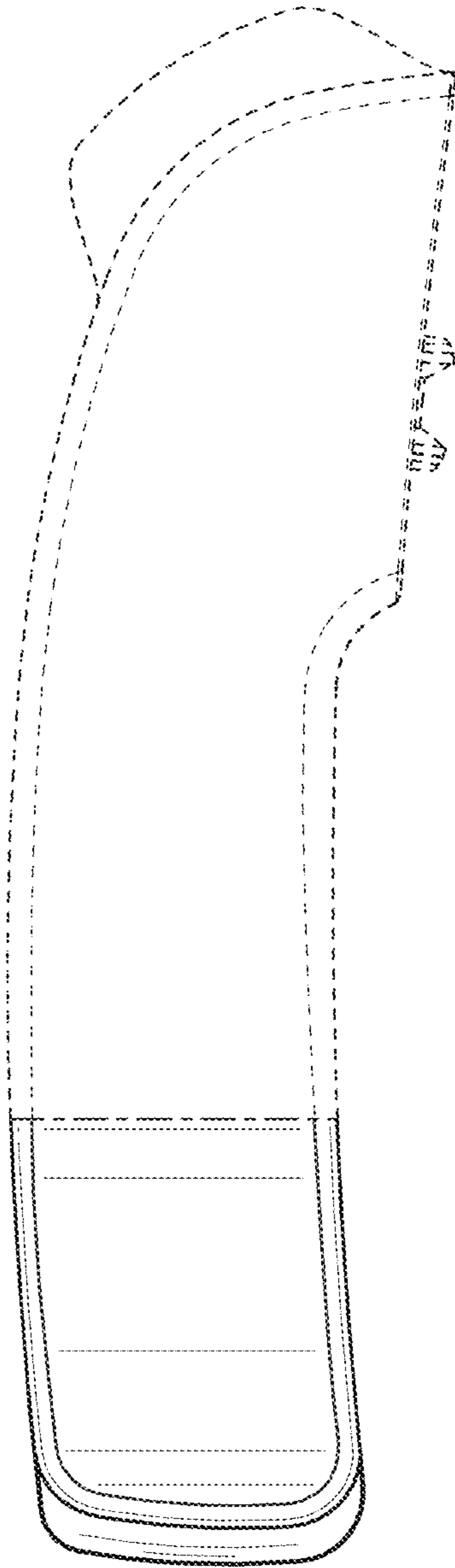


FIG. 6

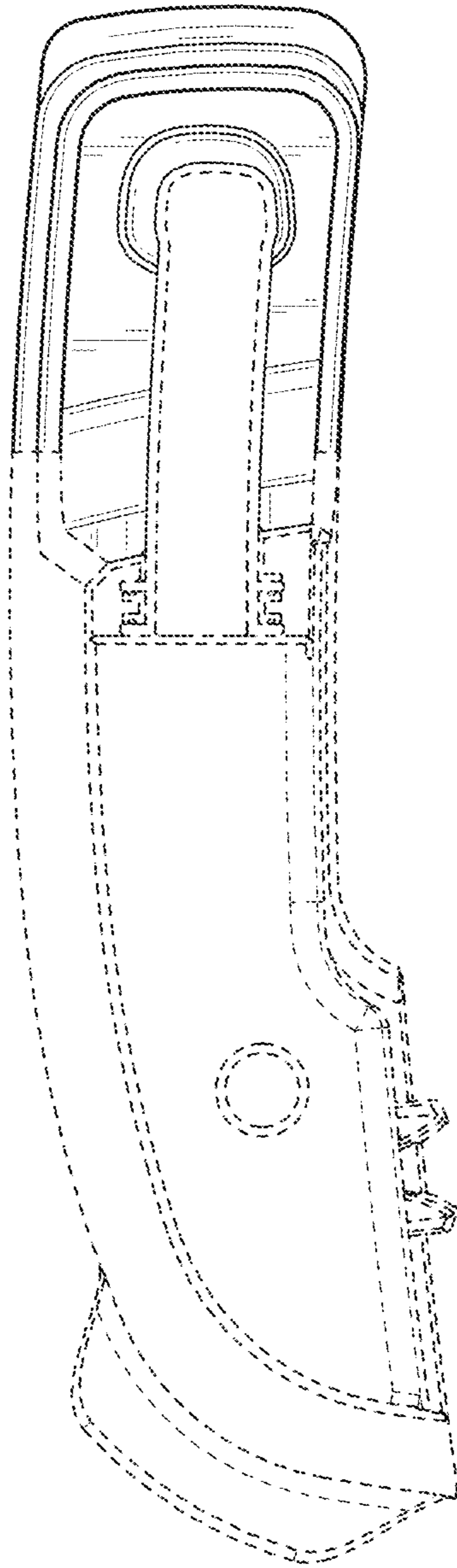


FIG. 7