



US00D883738S

(12) **United States Design Patent** (10) **Patent No.:** **US D883,738 S**
Bullock et al. (45) **Date of Patent:** **** May 12, 2020**

(54) **LID**

(71) Applicant: **YETI Coolers, LLC**, Austin, TX (US)

(72) Inventors: **Dustin Bullock**, Austin, TX (US);
Edward Abante, Austin, TX (US);
Evan Goldberg, Austin, TX (US);
Steve Charles Nichols, Austin, TX (US)

(73) Assignee: **YETI Coolers, LLC**, Austin, TX (US)

(**) Term: **15 Years**

(21) Appl. No.: **29/667,022**

(22) Filed: **Oct. 17, 2018**

(51) **LOC (12) Cl.** **07-01**

(52) **U.S. Cl.**
USPC **D7/396.2**

(58) **Field of Classification Search**
USPC D7/392, 392.1, 396.2; D9/434–436, 443,
D9/447, 449, 454, 499, 439, 440
CPC A47G 21/18; A47G 19/2266
See application file for complete search history.

(56) **References Cited**

U.S. PATENT DOCUMENTS

1,477,936 A	12/1923	Bolt
D101,575 S	10/1936	Windbiel
D109,331 S	4/1938	McManus et al.
D154,378 S	7/1949	Fuller
2,735,566 A	2/1956	Bramming
D177,761 S	5/1956	Reinhardt
2,804,103 A	8/1957	Wall
2,881,776 A	4/1959	Wrage
2,957,596 A	10/1960	Rehborg

(Continued)

FOREIGN PATENT DOCUMENTS

AU	2017280047 A1	1/2019
AU	2016368382 B2	2/2019

(Continued)

OTHER PUBLICATIONS

Youtube. Yeti Rambler R12 Bottle with Hotshot Cap Demo, Features & Review by Tentworld—The Camping Experts. Oct. 30, 2019. <https://www.youtube.com/watch?v=cLZsvhUMydM> (Year: 2019).*

(Continued)

Primary Examiner — Darcey E Gottschalk

(74) *Attorney, Agent, or Firm* — Banner & Witcoff, Ltd.

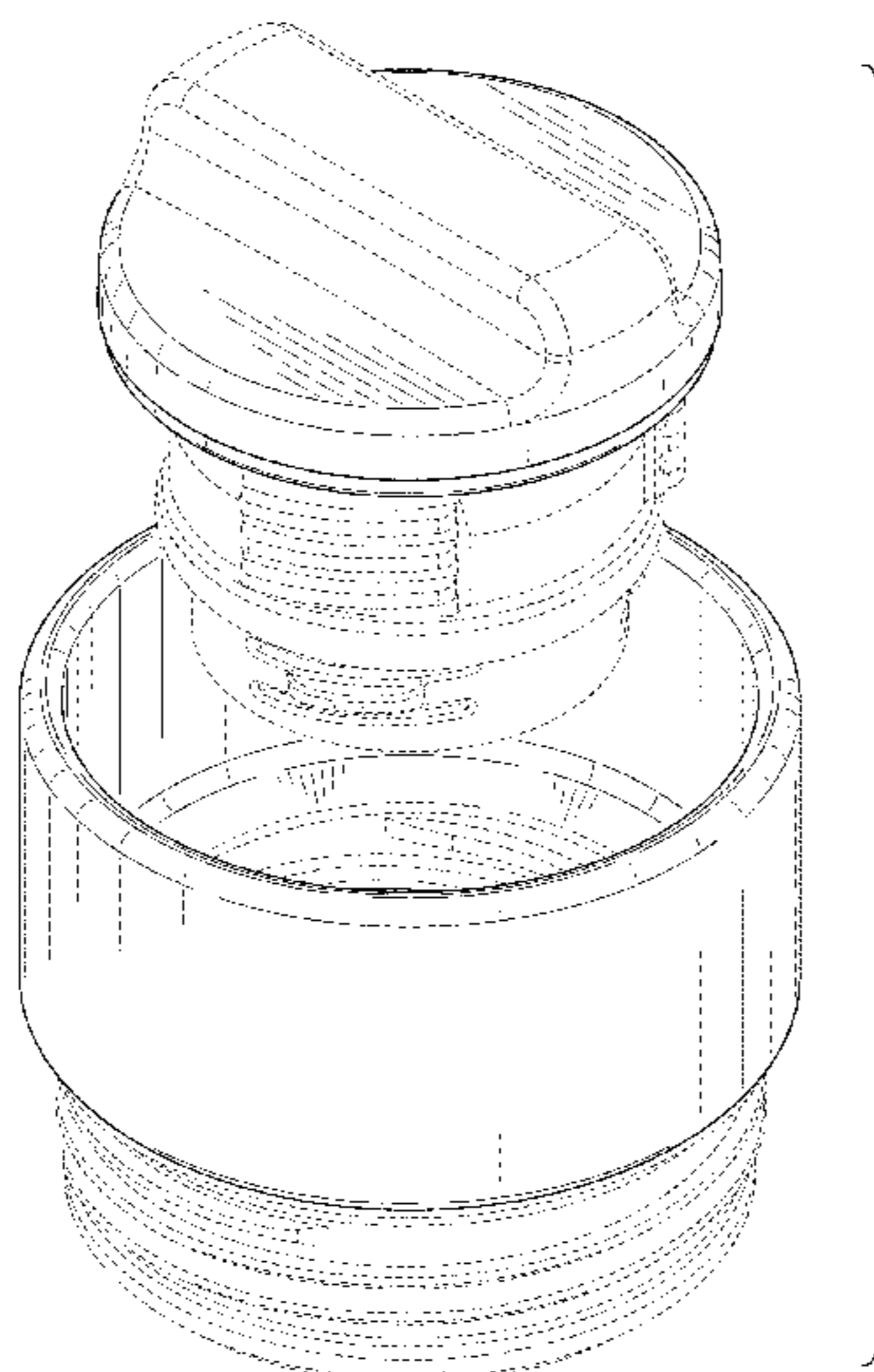
(57) **CLAIM**

The ornamental design for a lid, as shown and described.

DESCRIPTION

FIG. 1 is a top, front, right perspective view of a lid showing our new design;
FIG. 2 is a front view thereof;
FIG. 3 is a right side view thereof;
FIG. 4 is a rear view thereof;
FIG. 5 is a left side view thereof;
FIG. 6 is a top view thereof;
FIG. 7 is a bottom view thereof;
FIG. 8 is a top, front, right perspective view of a lid showing our new design in its exemplary environment;
FIG. 9 is a top, front, right perspective exploded view of a lid showing our new design;
FIG. 10 is a front view thereof;
FIG. 11 is a right side view thereof;
FIG. 12 is a rear view thereof;
FIG. 13 is a left side view thereof;
FIG. 14 is a top view thereof;
FIG. 15 is a bottom view thereof; and,
FIG. 16 is a top, front, right perspective exploded view of a lid showing our new design in its exemplary assembly.
The broken lines depicting the remainder of the lid show features that form no part of the claimed design.

1 Claim, 16 Drawing Sheets



(56)

References Cited

U.S. PATENT DOCUMENTS

D619,459 S 7/2010 Walsh
D620,798 S 8/2010 Cresswell et al.
D621,207 S * 8/2010 Bodum D7/392.1
D621,257 S 8/2010 Gullickson et al.
D621,258 S 8/2010 Gullickson et al.
D621,648 S 8/2010 Lown et al.
D622,089 S 8/2010 Daniel et al.
D622,145 S 8/2010 Walsh
D623,475 S 9/2010 Aarnoudse et al.
D623,480 S 9/2010 Moran
D623,481 S 9/2010 Moran
D625,560 S 10/2010 Olson et al.
D626,414 S 11/2010 Cresswell et al.
D626,416 S 11/2010 Cresswell et al.
D627,601 S 11/2010 Eyal
D627,602 S 11/2010 Eyal
D627,604 S 11/2010 Eyal
D628,018 S 11/2010 Gilbert
D628,486 S 12/2010 Lane
D628,898 S 12/2010 Bamett et al.
D628,900 S 12/2010 Bamett et al.
D628,901 S 12/2010 Bamett et al.
D629,689 S 12/2010 Cresswell et al.
D629,690 S 12/2010 Cresswell et al.
D629,691 S 12/2010 Cresswell et al.
D630,474 S 1/2011 Gilbert
D630,475 S 1/2011 Lu
D631,349 S 1/2011 Amell et al.
7,870,968 B2 1/2011 Hanson
D631,666 S 2/2011 Lim et al.
D633,338 S 3/2011 Rosbach et al.
D633,794 S 3/2011 Cresswell et al.
D633,795 S 3/2011 Cresswell et al.
D633,796 S 3/2011 Cresswell et al.
D633,797 S 3/2011 Cresswell et al.
D634,156 S 3/2011 Fuller et al.
D634,160 S 3/2011 Cetera
D635,457 S 4/2011 Lane
D635,856 S 4/2011 Lauret
D638,695 S 5/2011 Woodrow et al.
D638,708 S 5/2011 Walsh
D639,164 S 6/2011 Walsh
D639,177 S 6/2011 Pape
D639,661 S 6/2011 Llerena
D639,663 S 6/2011 Llerena
D640,466 S 6/2011 Staton
D641,257 S 7/2011 Thiebaut et al.
D641,591 S 7/2011 Tsukida
D643,691 S 8/2011 Selina et al.
D643,693 S 8/2011 Jama
D645,709 S 9/2011 Endo
8,011,535 B2 9/2011 Tauber et al.
D648,984 S 11/2011 Gullickson et al.
D651,050 S 12/2011 Goshi
D651,847 S 1/2012 Gilbert
D652,255 S 1/2012 Carland
D652,682 S 1/2012 Eyal
D653,499 S 2/2012 Dietterle et al.
D654,762 S 2/2012 Gilbert
D655,134 S 3/2012 Gilbert
D655,581 S 3/2012 Kotani
D657,196 S 4/2012 Beyers, III
D658,064 S 4/2012 Barnes et al.
D658,445 S 5/2012 Carreno
D659,007 S 5/2012 Pape
D660,084 S 5/2012 Gilbert
8,177,097 B2 5/2012 Duran
D662,360 S 6/2012 George
8,210,572 B2 7/2012 Davis
8,215,511 B1 7/2012 Lin
D664,809 S 8/2012 Eyal
D665,621 S 8/2012 Eyal
8,245,600 B2 8/2012 Beard
8,245,870 B2 8/2012 McKinney et al.
8,251,247 B1 8/2012 Breckner

D666,908 S 9/2012 Dabah et al.
8,256,631 B2 9/2012 Hoffmann et al.
8,272,532 B2 9/2012 Michaelian et al.
D668,913 S 10/2012 Mayer
8,292,133 B2 10/2012 Baughman et al.
D670,137 S 11/2012 Gilbert
D671,372 S 11/2012 Zou
D672,238 S 12/2012 Aziz et al.
D672,609 S 12/2012 Aziz et al.
D673,459 S 1/2013 Moran, Sr.
D675,100 S 1/2013 Herbst
D675,865 S 2/2013 Wahl
D676,706 S * 2/2013 Kern D7/392
D676,764 S 2/2013 Moore et al.
D677,103 S 3/2013 Melzer
D677,119 S 3/2013 Ying
D678,729 S 3/2013 Peeters et al.
D678,772 S 3/2013 Johnson et al.
D679,185 S 4/2013 Brown et al.
D680,389 S 4/2013 Zemel et al.
D682,016 S 5/2013 Knight
D682,617 S 5/2013 Miksovsky et al.
8,443,993 B1 5/2013 Desselle
8,443,994 B1 5/2013 Desselle
D684,059 S 6/2013 Johnson et al.
8,459,468 B2 6/2013 Lin
D686,078 S 7/2013 Johnson et al.
D688,093 S 8/2013 Roth et al.
8,505,760 B2 8/2013 Ott
8,505,787 B2 8/2013 Fox et al.
D690,987 S 10/2013 Gallen
D690,988 S * 10/2013 Audette D7/392.1
D691,848 S * 10/2013 Trudeau D7/392.1
8,550,269 B2 10/2013 Lane
D693,628 S * 11/2013 Tavenner D7/392.1
D693,698 S 11/2013 Miller, Jr.
8,584,902 B2 11/2013 Dejonge
D695,138 S 12/2013 Ball
8,613,369 B2 12/2013 Kitto
D696,945 S 1/2014 Newman
D697,404 S 1/2014 Johnson et al.
D697,802 S 1/2014 Lane
8,622,229 B2 1/2014 Lane
D698,668 S 2/2014 Vaughn
D701,464 S 3/2014 Ogata et al.
D702,092 S 4/2014 Mettler et al.
D702,506 S 4/2014 Mettler et al.
8,695,822 B2 4/2014 Kwon
8,701,881 B2 4/2014 Gibson et al.
8,701,924 B2 4/2014 Dalbec
8,708,176 B2 4/2014 Andis
D703,998 S 5/2014 Funnell, II et al.
8,720,730 B2 5/2014 Bodden, Jr.
8,752,720 B1 6/2014 Habig et al.
D708,484 S 7/2014 Bishop
D708,914 S 7/2014 Moran, Sr.
D708,954 S 7/2014 Barnes et al.
D709,734 S 7/2014 Kotani
8,777,031 B2 7/2014 Aneas
D712,254 S 9/2014 Geis et al.
D712,255 S 9/2014 Geis et al.
D713,268 S 9/2014 Jones et al.
D713,365 S 9/2014 Green
8,833,586 B2 9/2014 Meyers et al.
D714,584 S 10/2014 Boroski
D717,102 S 11/2014 Taketani et al.
D717,601 S 11/2014 Dixon
D719,780 S 12/2014 Sullivan
8,905,252 B2 12/2014 Latham et al.
D724,385 S 3/2015 Hurley et al.
D724,435 S 3/2015 Kaufman et al.
8,967,414 B2 3/2015 Lane
8,985,406 B2 3/2015 Tachi
D728,315 S 5/2015 Bo
D728,995 S 5/2015 Barberi
D729,579 S 5/2015 Molayem
D729,584 S 5/2015 Weston et al.
D732,402 S 6/2015 Jones et al.
D734,154 S 7/2015 Johnson et al.

(56)

References Cited

U.S. PATENT DOCUMENTS

2019/0039782 A1 2/2019 Campbell
 2019/0047754 A1 2/2019 Dubiel et al.
 2019/0047773 A1 2/2019 Bullock et al.
 2019/0062010 A1 2/2019 Apte et al.

FOREIGN PATENT DOCUMENTS

CA 3030583 A1 11/2018
 CA 3012127 A1 2/2019
 CN 303965392 8/2006
 CN 201349991 Y 11/2009
 CN 301110494 1/2010
 CN 201694495 U 1/2011
 CN 202030152 U 11/2011
 CN 202060630 U 12/2011
 CN 202086330 U 12/2011
 CN 202287503 U 7/2012
 CN 103112651 A 5/2013
 CN 202981686 U 6/2013
 CN 203127394 U 8/2013
 CN 203207847 U 9/2013
 CN 103538798 A 1/2014
 CN 103619723 A 3/2014
 CN 303966239 3/2015
 CN 103086061 B 8/2015
 CN 303528321 12/2015
 CN 105705425 A 6/2016
 CN 303894653 10/2016
 CN 303899030 10/2016
 CN 303902404 11/2016
 CN 303905254 11/2016
 CN 303905266 11/2016
 CN 303944047 11/2016
 CN 102730301 B 12/2016
 CN 303956194 12/2016
 CN 303965272 12/2016
 CN 303965286 12/2016
 CN 303965400 12/2016
 CN 303974938 12/2016
 CN 303984407 12/2016
 CN 303984493 12/2016
 CN 304011213 1/2017
 CN 304011214 1/2017
 CN 205998332 U 3/2017
 CN 108313494 A 7/2018
 CN 107224167 B 8/2018
 CN 108394633 A 8/2018
 CN 106458394 B 10/2018
 CN 105050907 B 12/2018
 CN 105358441 B 12/2018
 CN 108945789 A 12/2018
 CN 106163937 B 1/2019
 CN 105595863 B 2/2019
 CN 106255648 B 2/2019
 CN 106414269 B 2/2019
 CN 106458396 B 2/2019
 CN 109319295 A 2/2019
 CN 208470495 U 2/2019
 CN 208485029 U 2/2019
 CN 208531194 U 2/2019
 DE 2233565 A1 6/1973
 DE 2226556 B2 8/1977
 DE 3514261 A1 1/1986
 DE 29611746 U1 11/1997
 DE 69509827 T2 10/1999
 DE 29912668 U1 12/1999
 DE 102014011506 B3 7/2015
 DK 402016101176-0008 11/2016
 DK 402016101176-0010 11/2016
 EM 003528504-0004 12/2016
 EM 004539732-0003 12/2017
 EP 1693310 A1 8/2006
 EP 1934106 A1 6/2008
 EP 2457842 B1 5/2015
 EP 3066018 A4 11/2016

EP 2851311 B1 6/2018
 EP 3157833 A 8/2018
 EP 2796078 B1 10/2018
 EP 3398484 A1 11/2018
 EP 3398871 A1 11/2018
 EP 3441320 A1 2/2019
 FR 1359912 A 4/1964
 FR 2521957 B1 10/1986
 FR 2786465 6/2000
 FR 2830848 A1 4/2003
 GB 729903 A 5/1955
 GB 2114959 B 7/1985
 JP H02-052759 U 4/1990
 JP H03159974 U 7/1991
 JP H08-0117119 A 5/1996
 JP 2000333847 A 12/2000
 JP 2001315831 A 11/2001
 JP 2008162679 A 7/2008
 JP 1363566 6/2009
 JP 2010280402 A 12/2010
 JP 2011093544 A 5/2011
 JP 1530358 8/2015
 JP 2016141412 A 8/2016
 JP 2003125912 1/2017
 JP 6408837 B2 10/2018
 JP 6409250 B1 10/2018
 JP 2019001538 A 1/2019
 JP 6467720 B2 2/2019
 JP 2019503943 A 2/2019
 KR 200169857 Y1 2/2000
 KR 300295354 4/2002
 KR 300303813.0000 8/2002
 KR 20100008131 A 1/2010
 KR 300764889.0000 10/2014
 KR 3020150002495 12/2015
 KR 101581270 B1 1/2016
 KR 101668309 B1 10/2016
 KR 300883384.0000 11/2016
 KR 30085455.0000 12/2016
 KR 300884377.000 12/2016
 KR 300885851.0000 12/2016
 KR 300888536.0000 1/2017
 KR 101785906 B1 10/2017
 KR 20-2019-0000204 U 1/2019
 KR 101922235 B1 2/2019
 RU 00100680 5/2013
 WO 2005028317 A2 3/2005
 WO 2006023238 A2 3/2006
 WO 07123365 A1 11/2007
 WO D8048039 A1 4/2008
 WO 14041325 A3 9/2014
 WO 14184341 A1 11/2014
 WO D088688-002 1/2016
 WO 16180908 A1 11/2016
 WO 17097485 A1 6/2017
 WO 17115193 A1 7/2017
 WO 18149763 A1 8/2018
 WO 17223093 A3 2/2019
 WO 19025589 A1 2/2019

OTHER PUBLICATIONS

Avex, "40oz. 3Sixty Pour Stainless Steel Thermal Bottle", Accessed May 18, 2017. <http://www.avexoutdoor.com/3sixty-pour-realtree-thermal-bottle.html>.

"Stanley Classic Vacuum Bottle." Found online Jul. 13, 2018 at www.amazon.com. Page dated Nov. 30, 2014. Retrieved from URL: <https://tinyurl.com/y8nnymt9> (Year: 2014).

"Thermos Stainless King 60 Ounce Vacuum Insulated Beverage Bottle." Found online Jul. 13, 2018 at www.amazon.com. Page dated Aug. 15, 2015. Retrieved from URL: <https://www.amazon.com/Thermos-Stainless-Insulated-Beverage-Midnight/dp/B008YB4V52> (Year: 2015).

Liquid Hardware, Insulated Aqua Silver Sidewinder Vacuum Bottle 20oz./592ml. Powder Coated in USAI, product description, retrieved from internet on Aug. 12, 2015, 3 pages.

(56)

References Cited

OTHER PUBLICATIONS

Nov. 2, 2016—(WO) International Search Report and Written Opinion—App. No. PCT/US2016/047043.

Oct. 18, 2016—(JP) Office Action—App. 2016-010799, English Translation, 3 Pages.

Oct. 18, 2016—(JP) Office Action—App. 2016-010800, English Translation, 3 Pages.

Yeti 36 oz. Rambler: Announced Jan. 11, 2016 [online], site visited [May 10, 2016]. Available from Internet URL: <http://yeticoolers.com/rambler-bottle-36-oz/>.

Kold Vacuum Insulated Stainless Steel Sports Bottle: Announced Dec. 8, 2015 [online], site visited [May 11, 2016]. Available from Internet URL: <http://www.amazon.com/KOLD-Sports-Water-Bottles-Insulated/dp/B018YH K79E/ref=cm>.

“Hydro Flask Insulated Stainless Steel Water Bottle” published on Dec. 29, 2014, retrieved from http://web.archive.org/web/*/https://www.amazon.com/dp/B004X55L91/ref=twister_B00GA03LG4?_encoding=UTF8&psc=1 on Sep. 22, 2016.

“UA Beyond 18 oz. Vacuum Insulated Water Bottle” published on Mar. 29, 2015, retrieved from http://web.archive.org/web/*/https://www.underarmour.com/en-us/beyond-18-oz-vacuum-insulated-ss-bottle-with-flip-top-lid/pid1232014 on Sep. 22, 2016.

“Klean Kanteen Insulated Classic with Polypropylene” published on Jul. 7, 2015, retrieved from http://web.archive.org/web/*/https://www.lifewithoutplastic.com/store/klean-kanteen-insulated-classic-with-polypropylene-loop-cap-0-95-l-32-oz.html on Sep. 22, 2016.

“Eco Vessel 64 ounce Growler” published on Jan. 28, 2015, retrieved from http://web.archive.org/web/*/http://www.snewsnet.com/press-release/eco-vessel-launches-the-boss-insulated-growler/ on Sep. 22, 2016.

“64 oz. Double-Wall Vacuum-Insulated Growler” published on Nov. 14, 2014, retrieved from https://web.archive.org/web/*/http://www.fiftyfiftybottles.com/64oz.-growler/ on Sep. 22, 2016.

“2015 Boulder Insulated Water Bottle with Tea, Fruit, Ice Strainer” published on Jun. 28, 2015, retrieved from http://web.archive.org/web/*/http://www.ecovessel.com/boulder-insulated-water-bottle-with-tea-fruit-ice-strainer-20-oz/ on Sep. 22.

“KB8 20 oz. Double Wall Stainless Bottle,” published on May 22, 2015, retrieved from <https://web.archive.org/web/20150807054814/http://thermo-steel.com/work/keen-kb8> on Sep. 27, 2016.

Nov. 1, 2016—(JP) Office Action—App. 2016-9606, English Translation, 2 Pages.

Oct. 4, 2016—(JP) Office Action—App. 2016-9607, English Translation, 2 pages.

Oct. 4, 2016—(JP) Office Action—App. 2016-9608, English Translation, 2 Pages.

“First Look: YETI Rambler One Gallon ‘Jug’ Review”. Found online Jun. 12, 2017 at gearjunkie.com. Page dated May 2, 2017. Retrieved from <https://gearjunkie.com/yeti-rambler-one-gallon-jug-review>.

“Lifefactory Water Bottle with Flip Cap”. Found online Oct. 26, 2016 at amazon.com. Page dated Jan. 21, 2012. Retrieved from https://www.amazon.com/Lifefactory-22-Ounce-BPA-Free-Bottle-Silicone/dp/B01JIHJY01/ref=pd_day0_79_22?_encoding=UTF8&refRID=YW47QZQ73YFSYXXEHXG2.

“Igloo Sport Beverage Cooler”. Found online Jun. 7, 2017 at amazon.com. Page dated Mar. 9, 2013. Retrieved from https://www.amazon.com/Igloo-Beverage-Cooler-Majestic-2-Gallon/dp/B0088AYPOG/ref=cm_cr_arp_d_product_top?ie=UTF8.

“Klear Loop Cap Hangle Lids for Klear Bottle and Hydro Flask”. Found online Jun. 7, 2017 at amazon.com. Page dated Jul. 4, 2016. Retrieved from https://www.amazon.com/Klear-Handle-Bottle-Hydro-Flask/dp/B01EXKSRLQ/ref=cm_cr_arp_d_product_top?ie=UTF8. Rambler Jug Mount. Online, published date unknown. Retrieved on Jan. 2, 2018 from URL: <https://www.yeti.com/accessories/rambler-jug-mount!YRAMJM.html>.

Jan. 29, 2018—(WO) Invitation to Pay Additional Fees and Partial International Search Report—App. No. PCT/US2017/057010—13 pages.

Mar. 27, 2018—(WO) International Search Report and Written Opinion—App. No. PCT/US2017/057010—19 pages.

Yeti Rambler Vacuum Insulated Stainless Steel One Gallon Jug with MagCap. Found online Jun. 12, 2017 at amazon.com. Page dated May 30, 2017. Retrieved from <https://www.amazon.com/YETI-Rambler-Vacuum-Insulated-Stainless/dp/B071HTJ4Q8>.

“Klean Kanteen Stainless Unibody Bamboo Cap”. Found online Jun. 12, 2018 at amazon.com. Page dated Sep. 10, 2012. Retrieved from https://www.amazon.com/Klean-Kanteen-Stainless-Unibody-Bamboo/dp/B0083F0SDI/ref=cm_cr_arp_d_product_top?ie=UTF8.

“Takeya ThermoFlask”. Found online Jun. 9, 2018 at amazon.com. Page dated Apr. 15, 2016. Retrieved from https://www.amazon.com/Takeya-ThermoFlask-Pack-Back-Silver/dp/B01D7N101WW/ref=cm_cr_arp_d_product_top?ie=UTF8.

“Twitter: h2go elevate and h2go inspire: same lid stlye, different body typw”. Found online Jun. 12, 2018 at twitter.com. Page dated Jan. 21, 2015. Retrieved from <https://twitter.com/etsexpress/status/557997114589196288>.

Feb. 11, 2019—(CN) Office Action—App. No. 201680059619.7.

“Yeti Rambler Bottle Cup Cap Accessory.” Found online: Jun. 18, 2019 at www.amazon.com. Product reviewed May 30, 2019. Retrieved from URL: <http://tinyurl.com/y32g688u> (Year: 2019).

Jul. 15, 2019—(CN) Office Action—App. No. 201680059619.7.

* cited by examiner

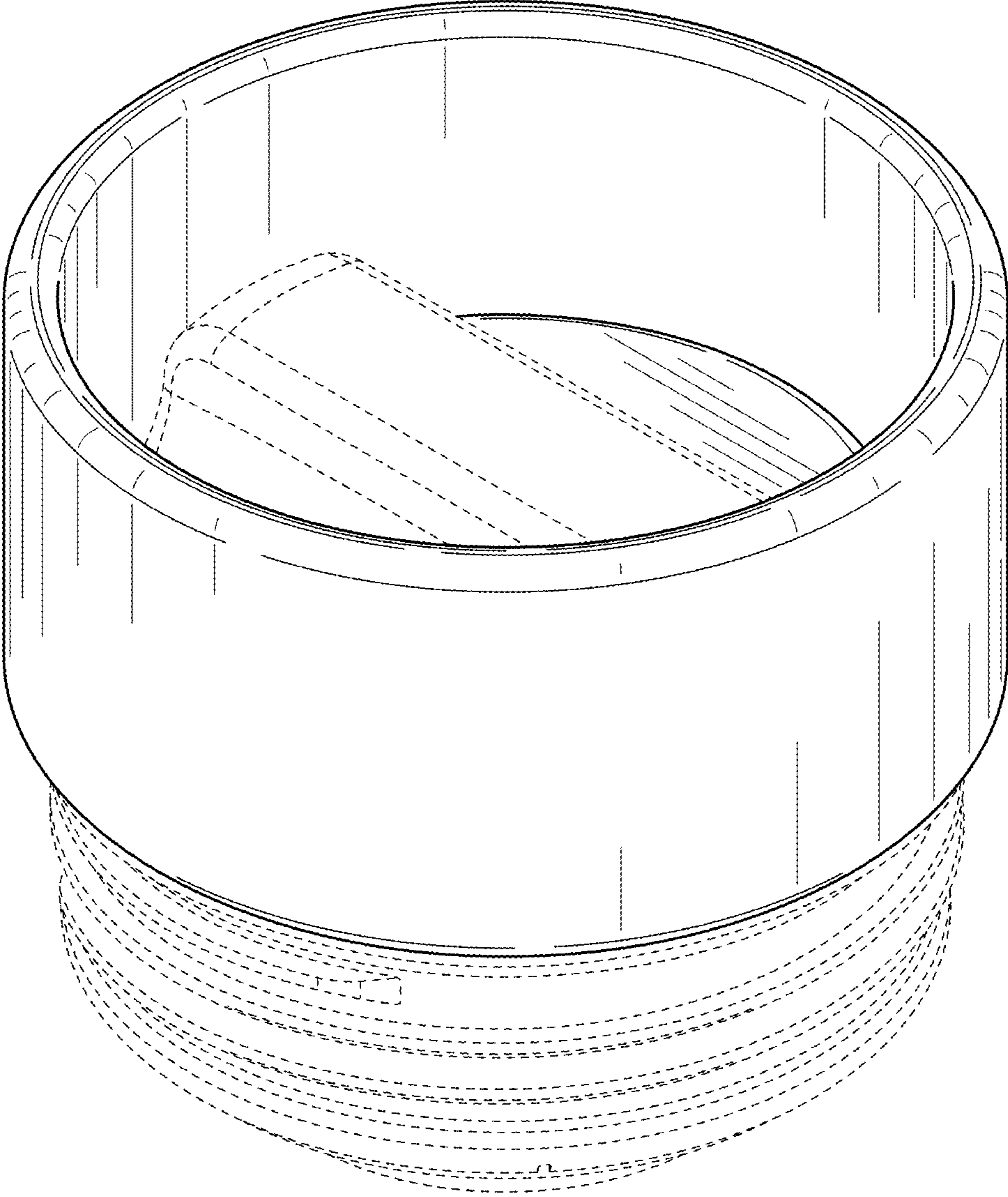


FIG. 1

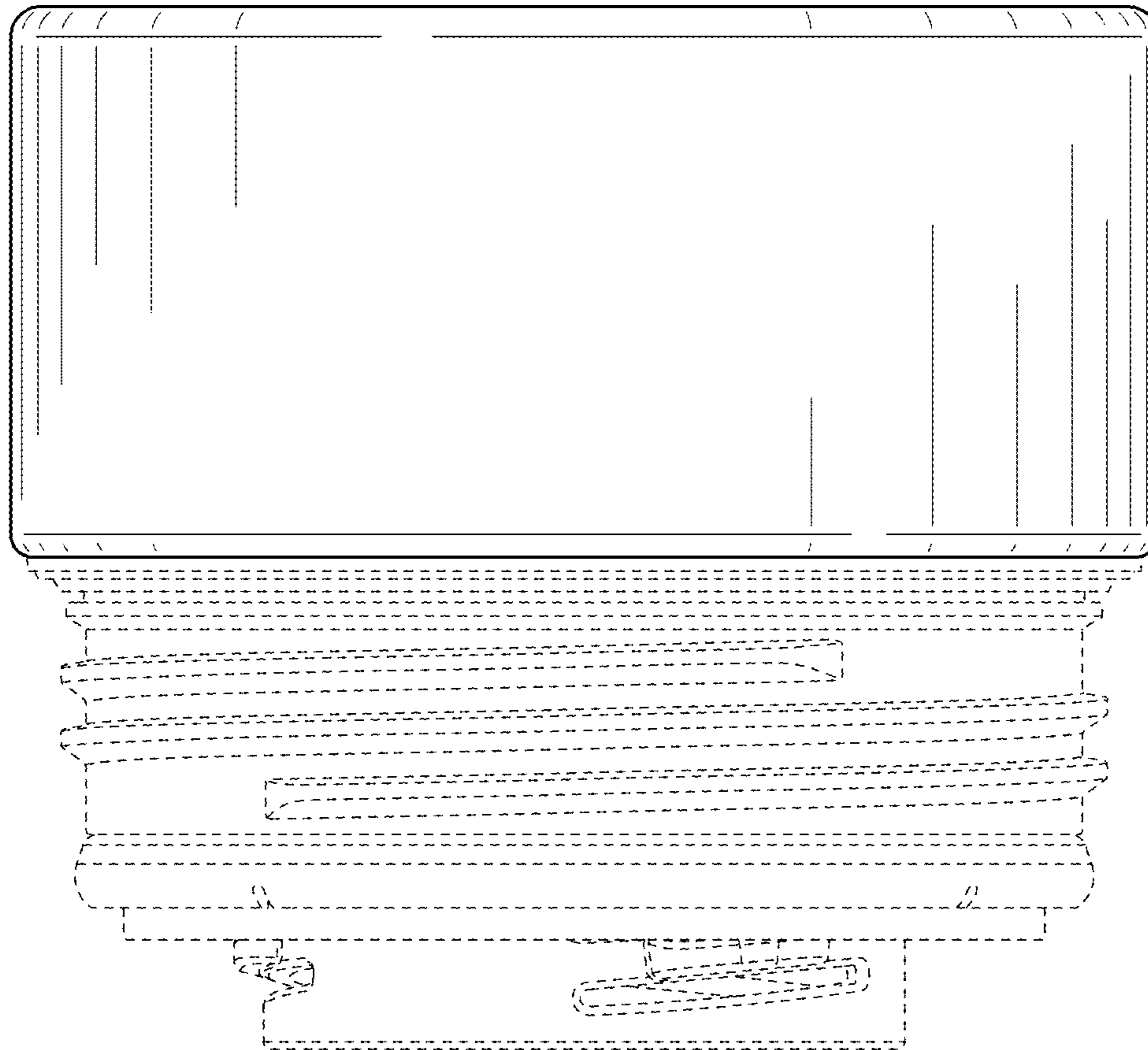


FIG. 2

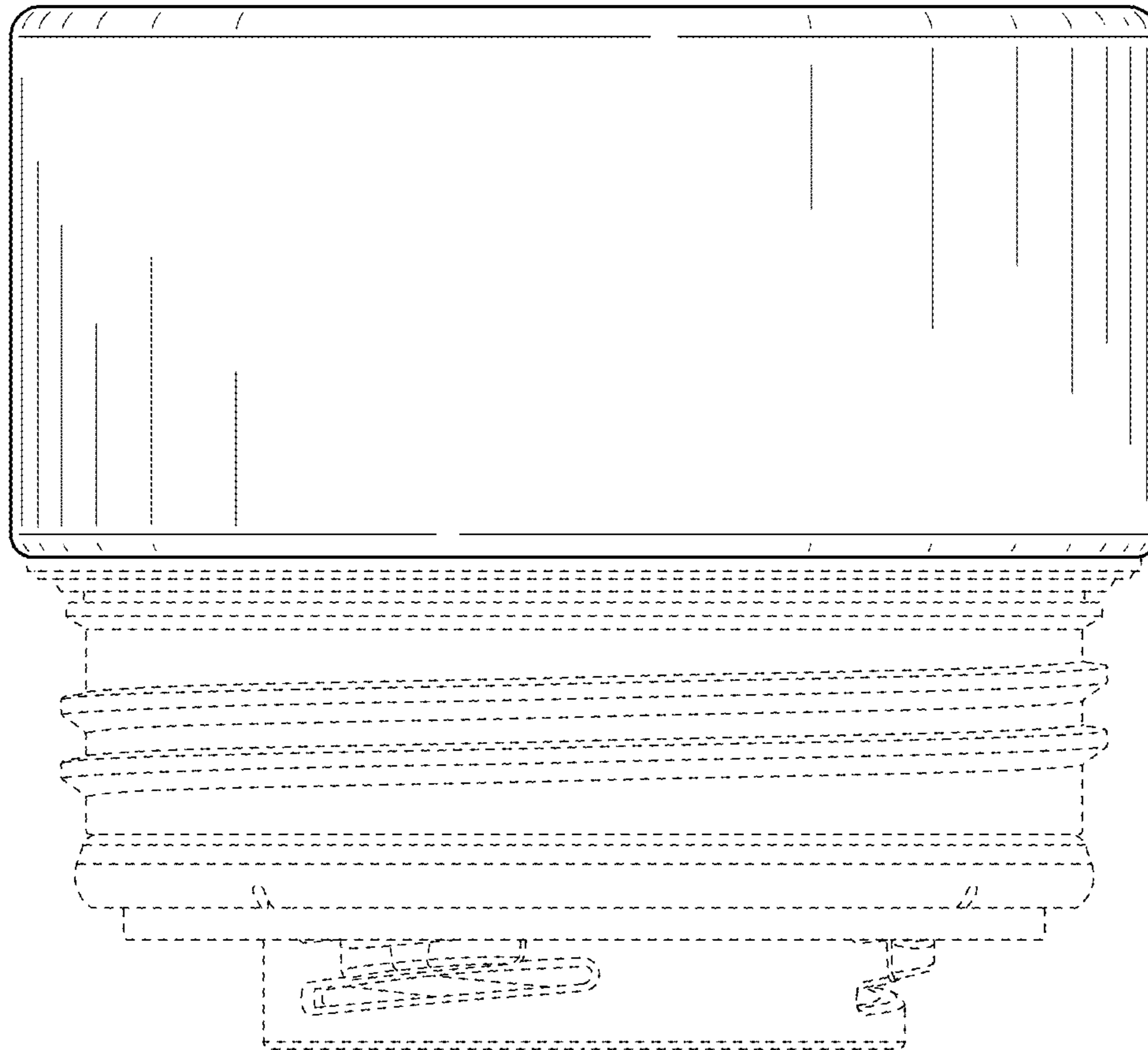


FIG. 3

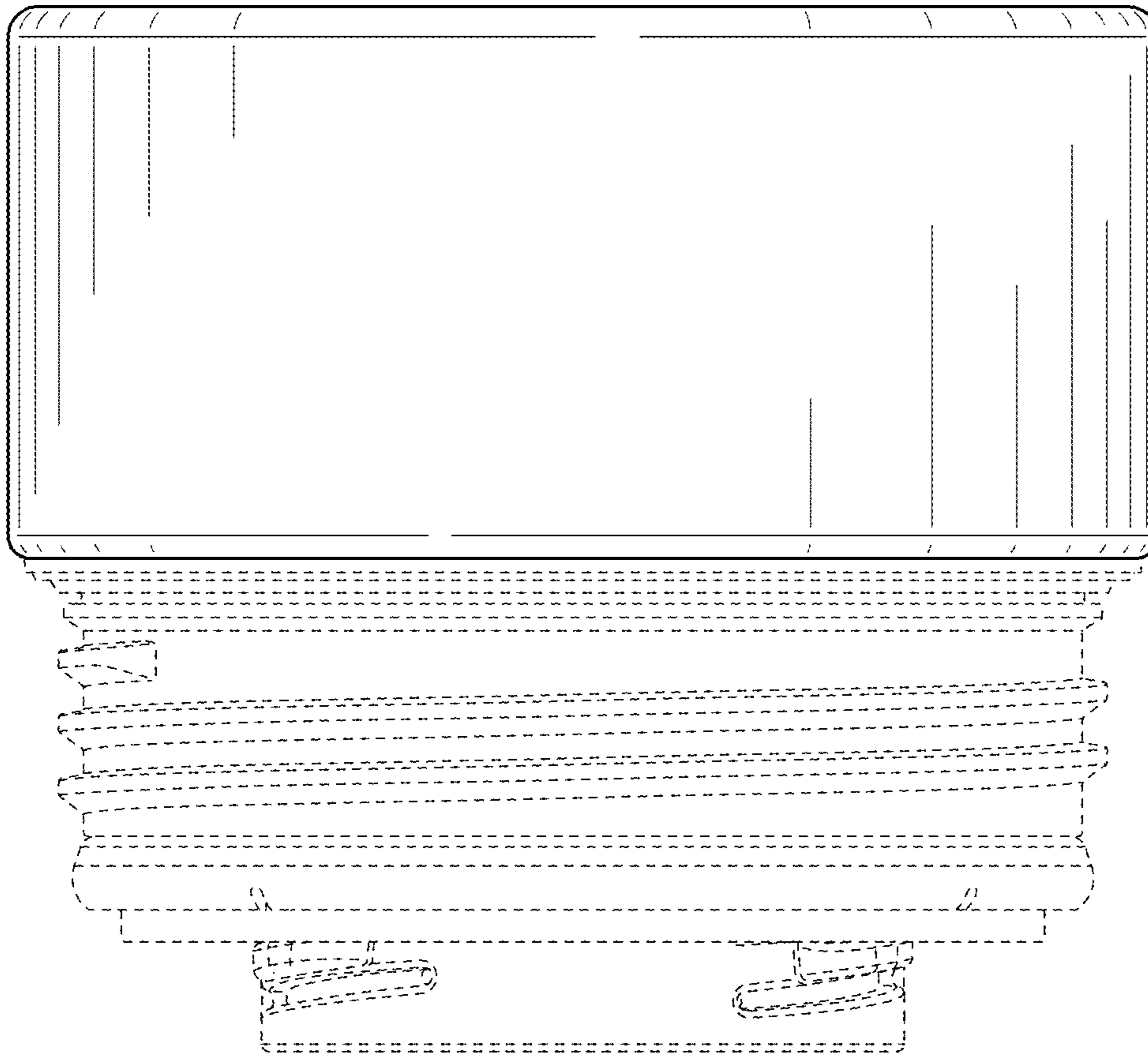


FIG. 4

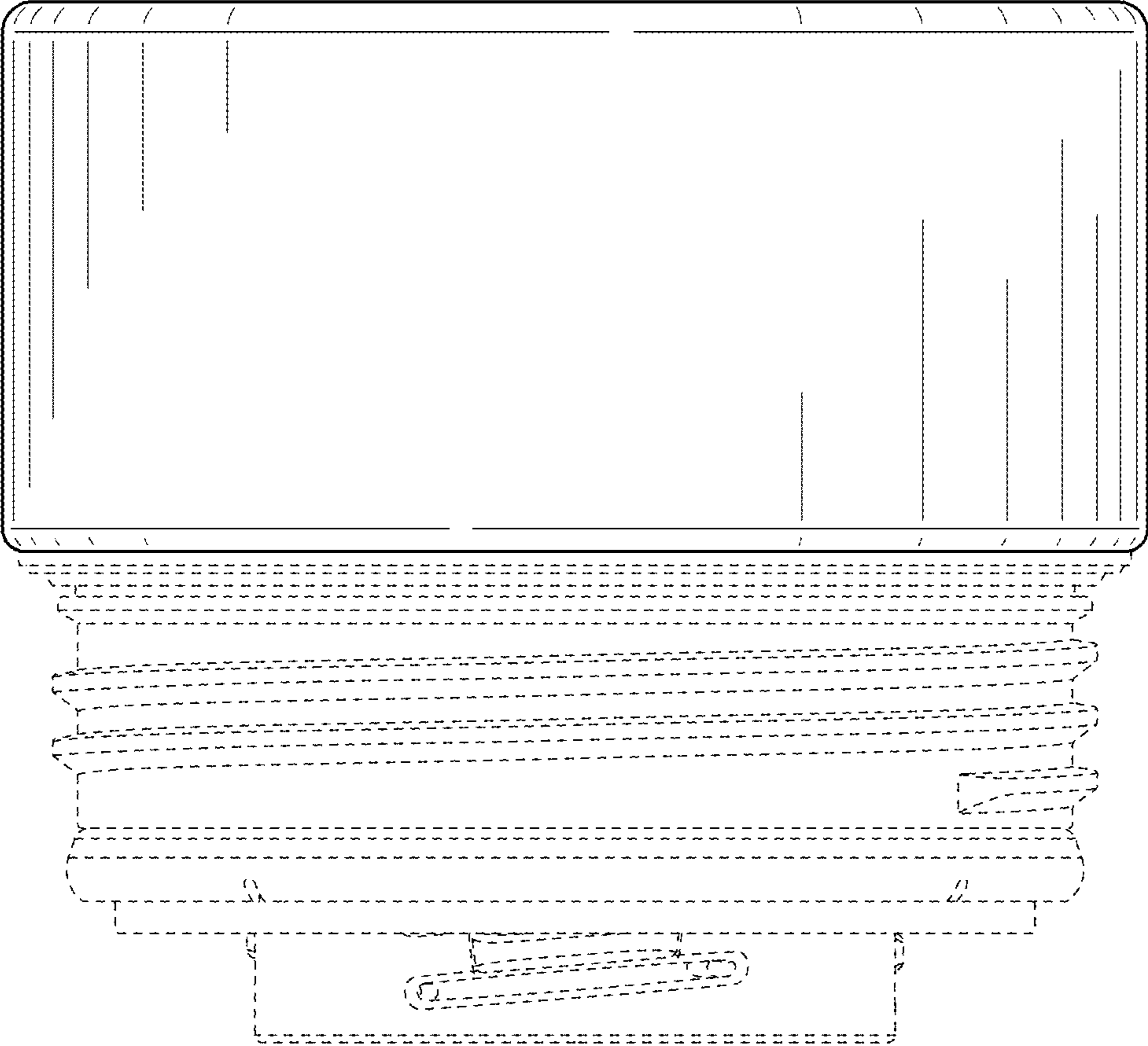


FIG. 5

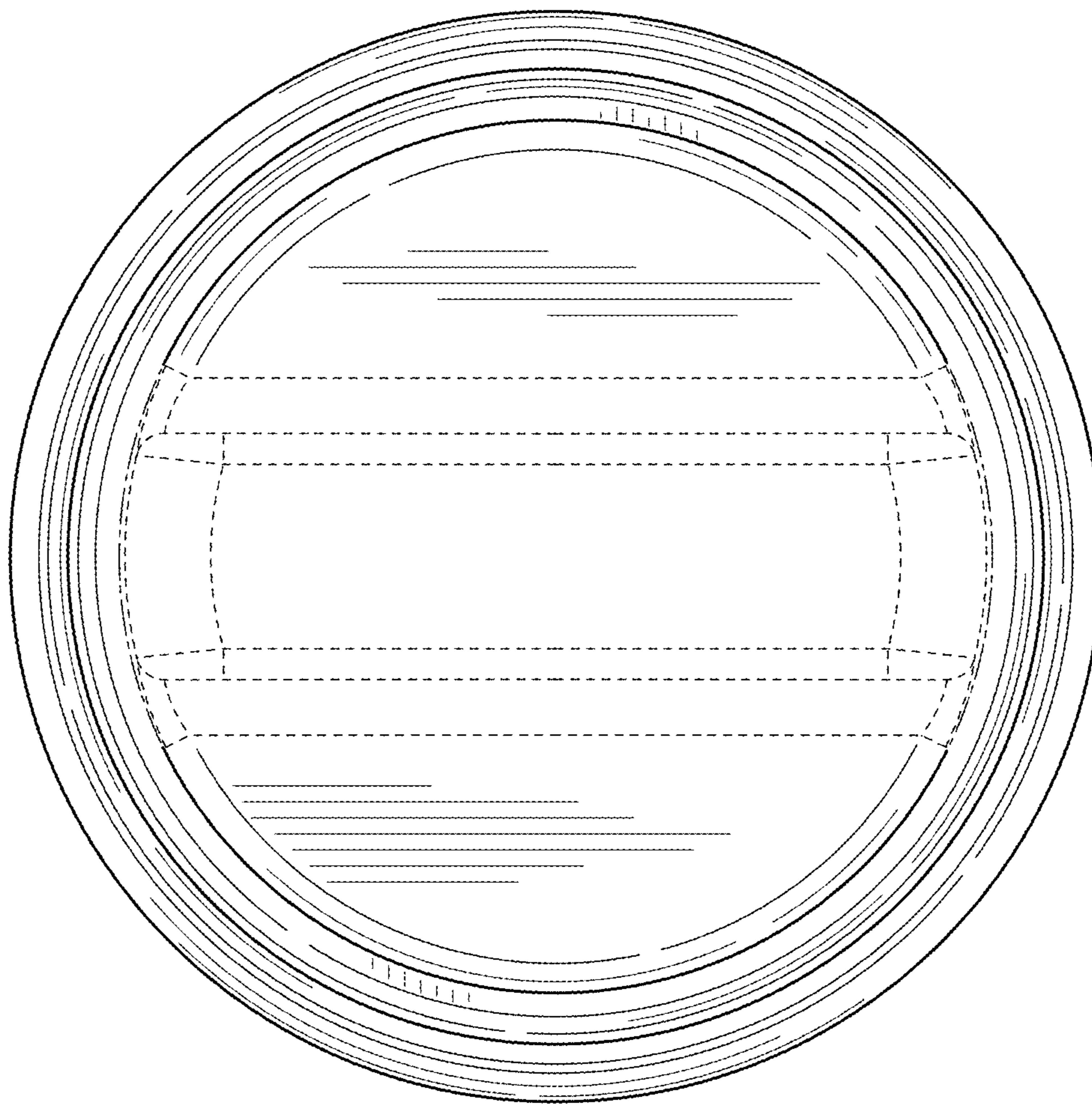


FIG. 6

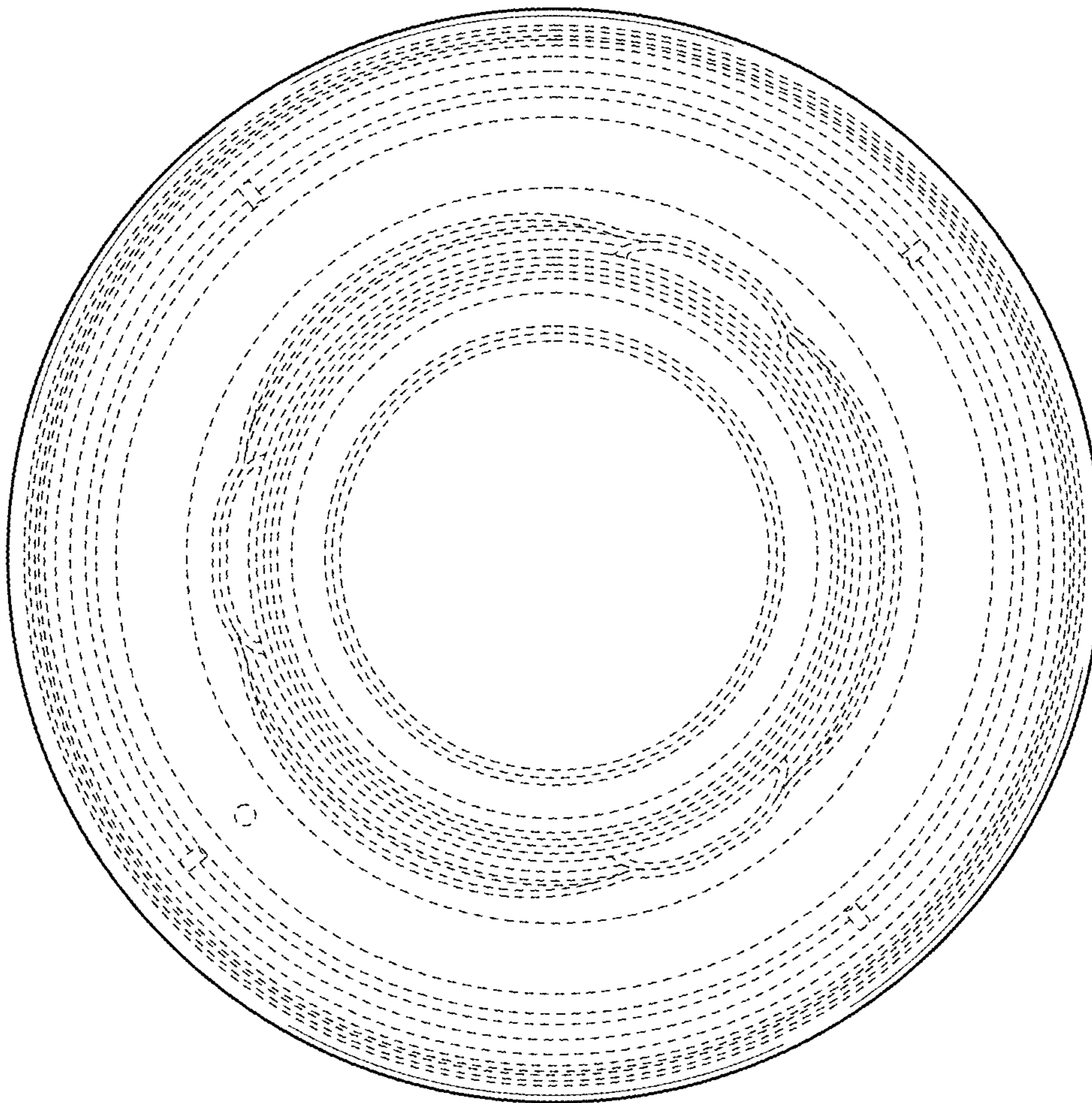


FIG. 7

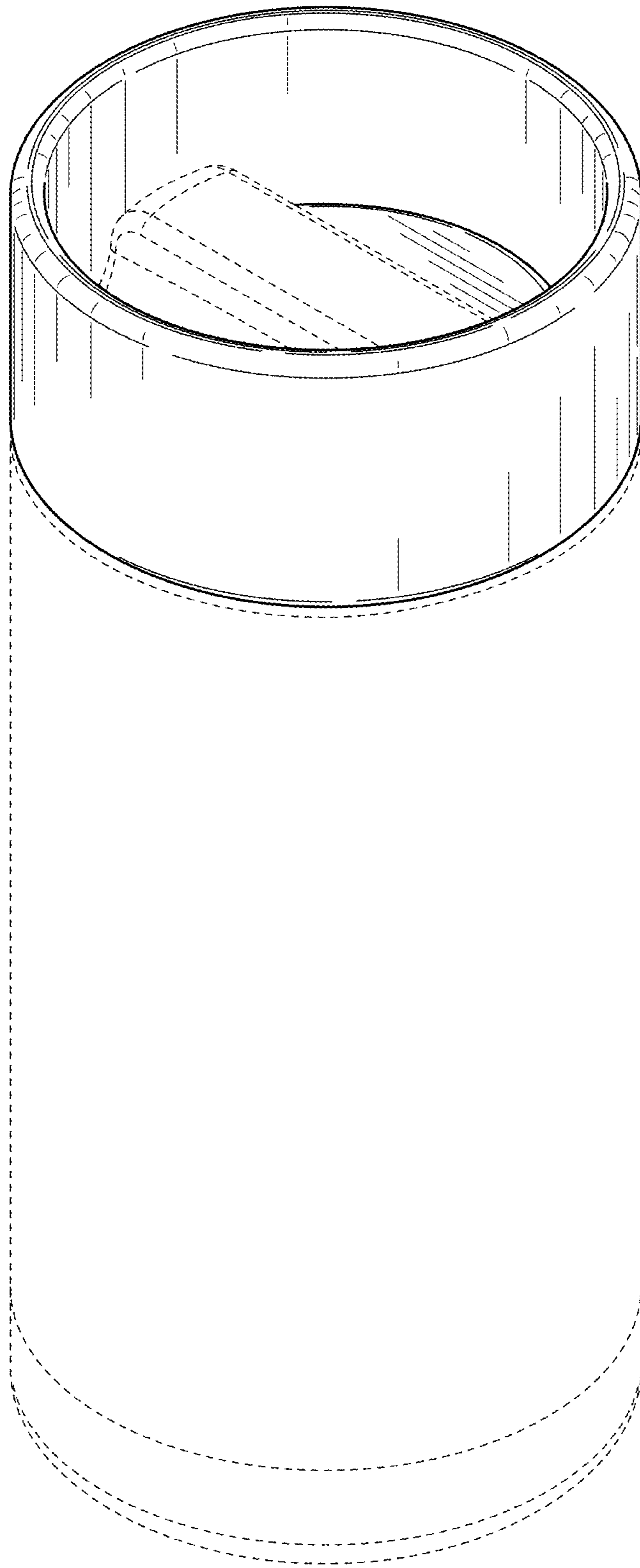


FIG. 8

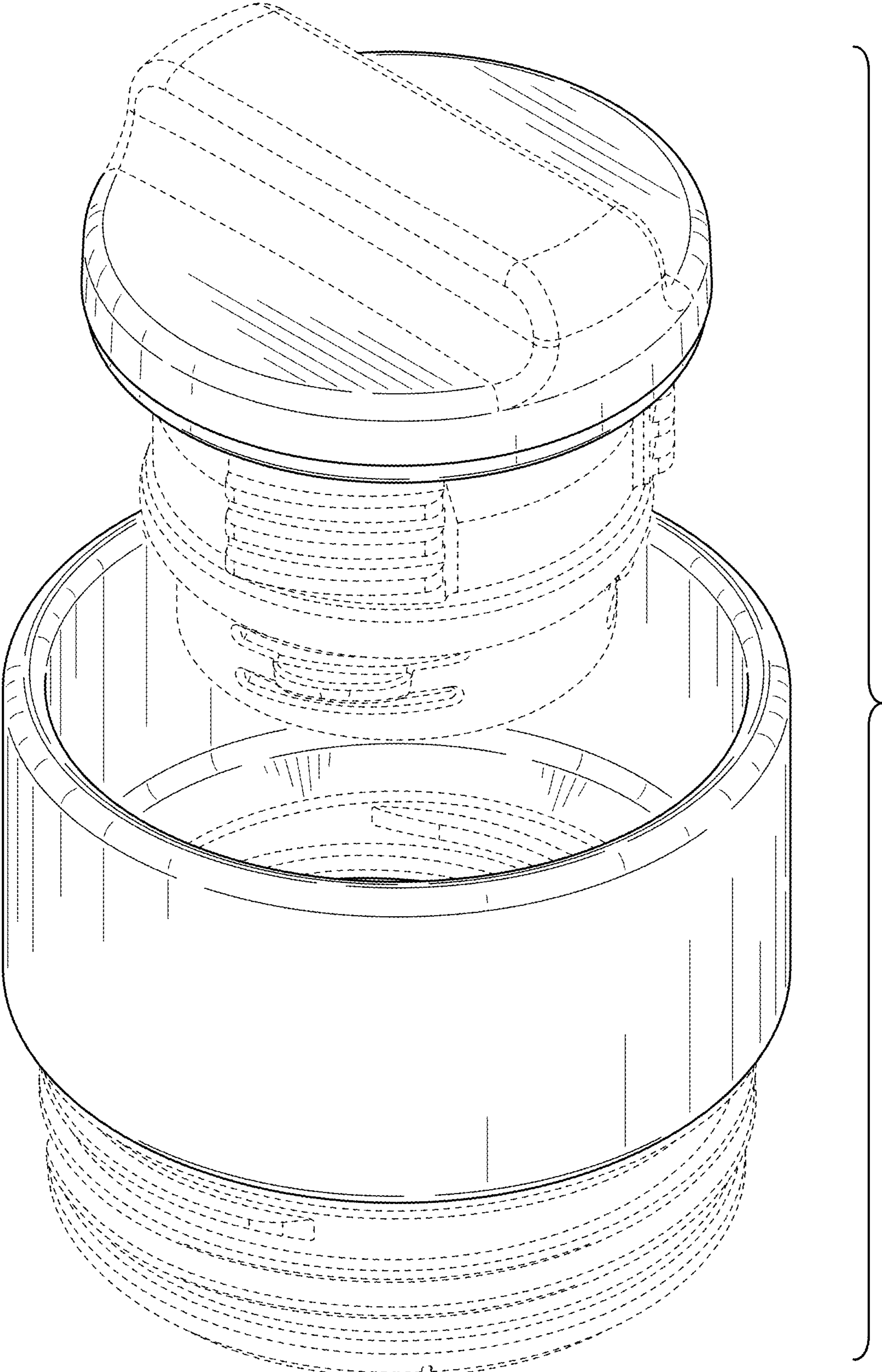


FIG. 9

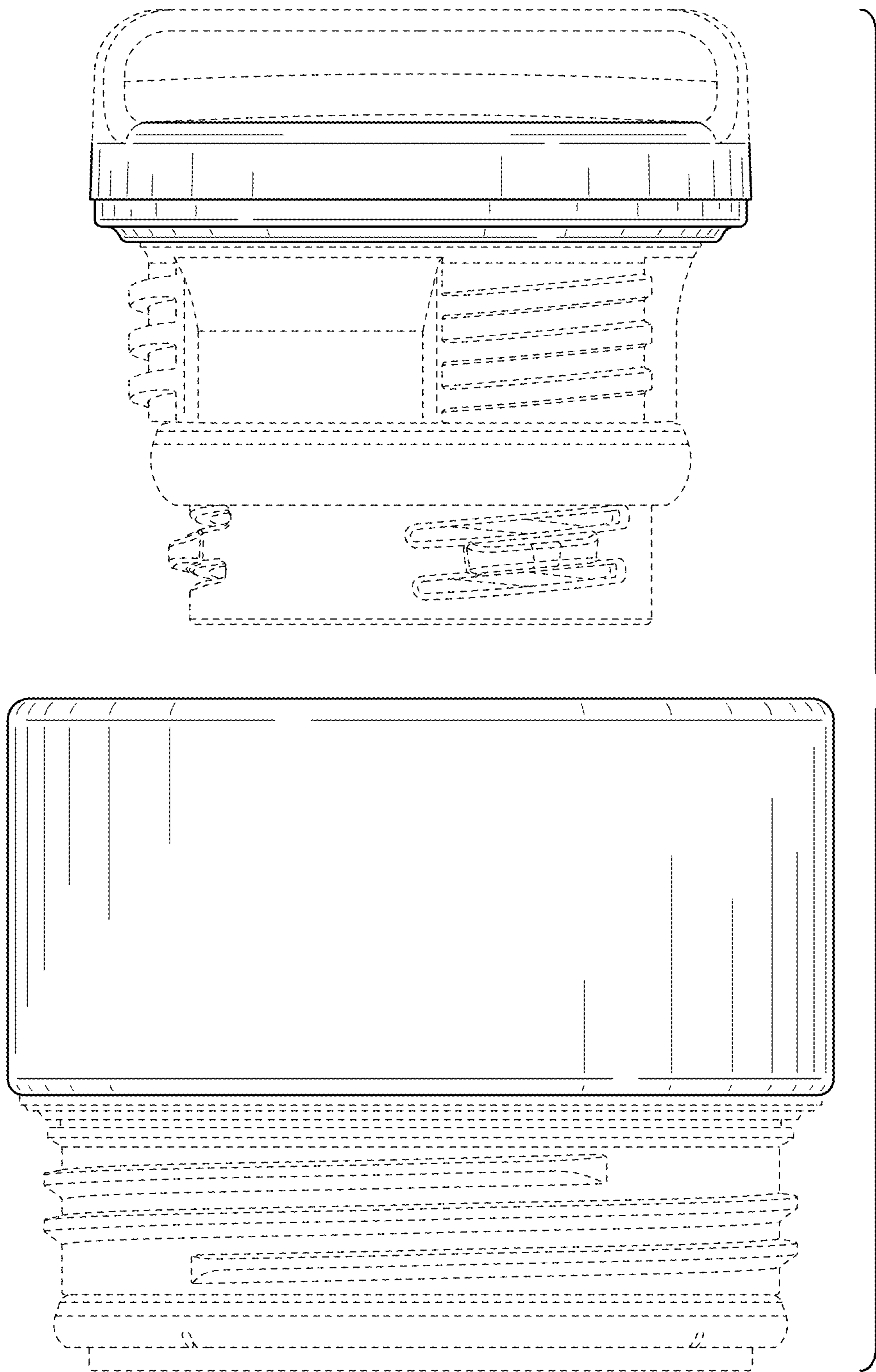


FIG. 10

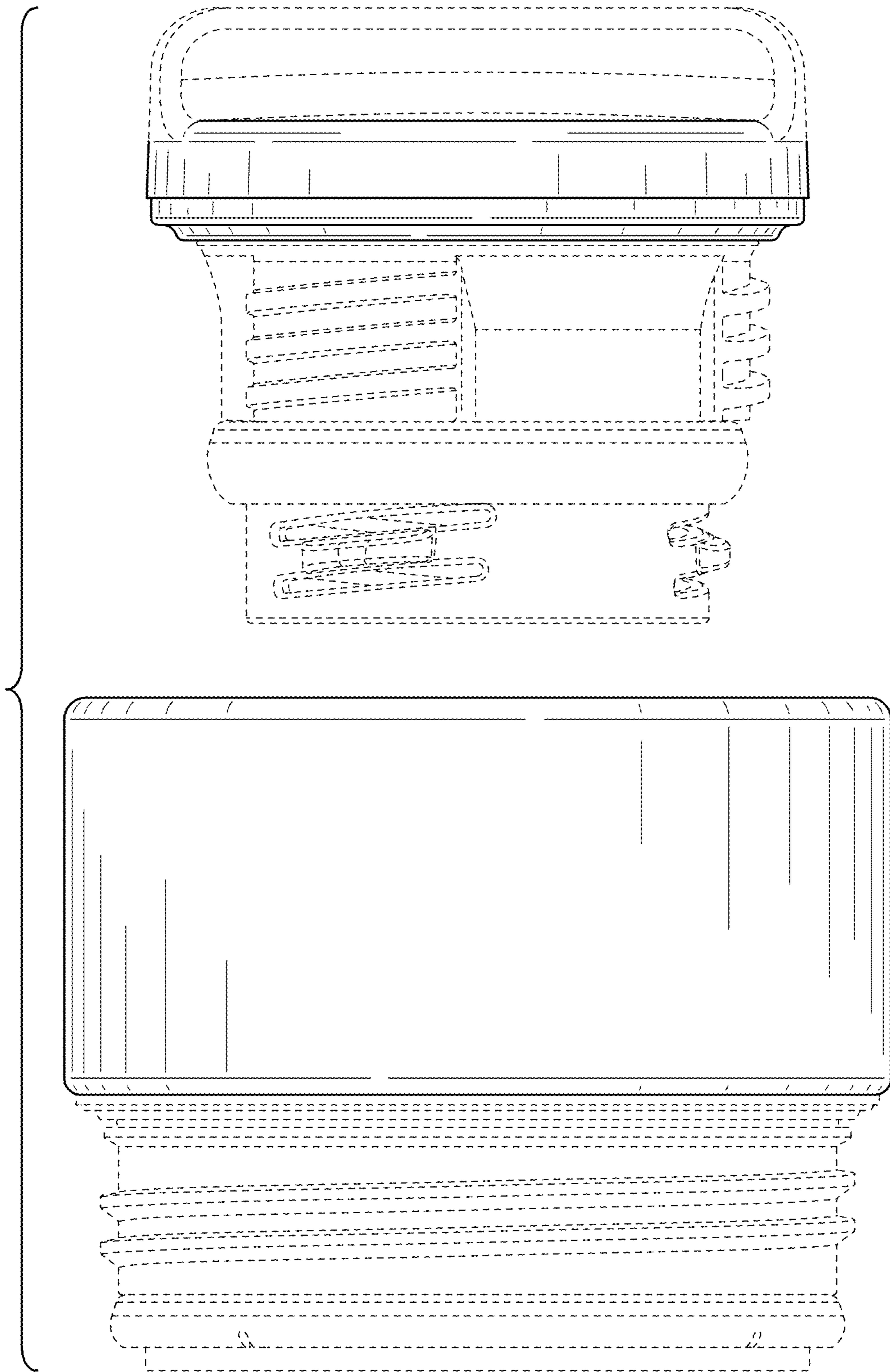


FIG. 11

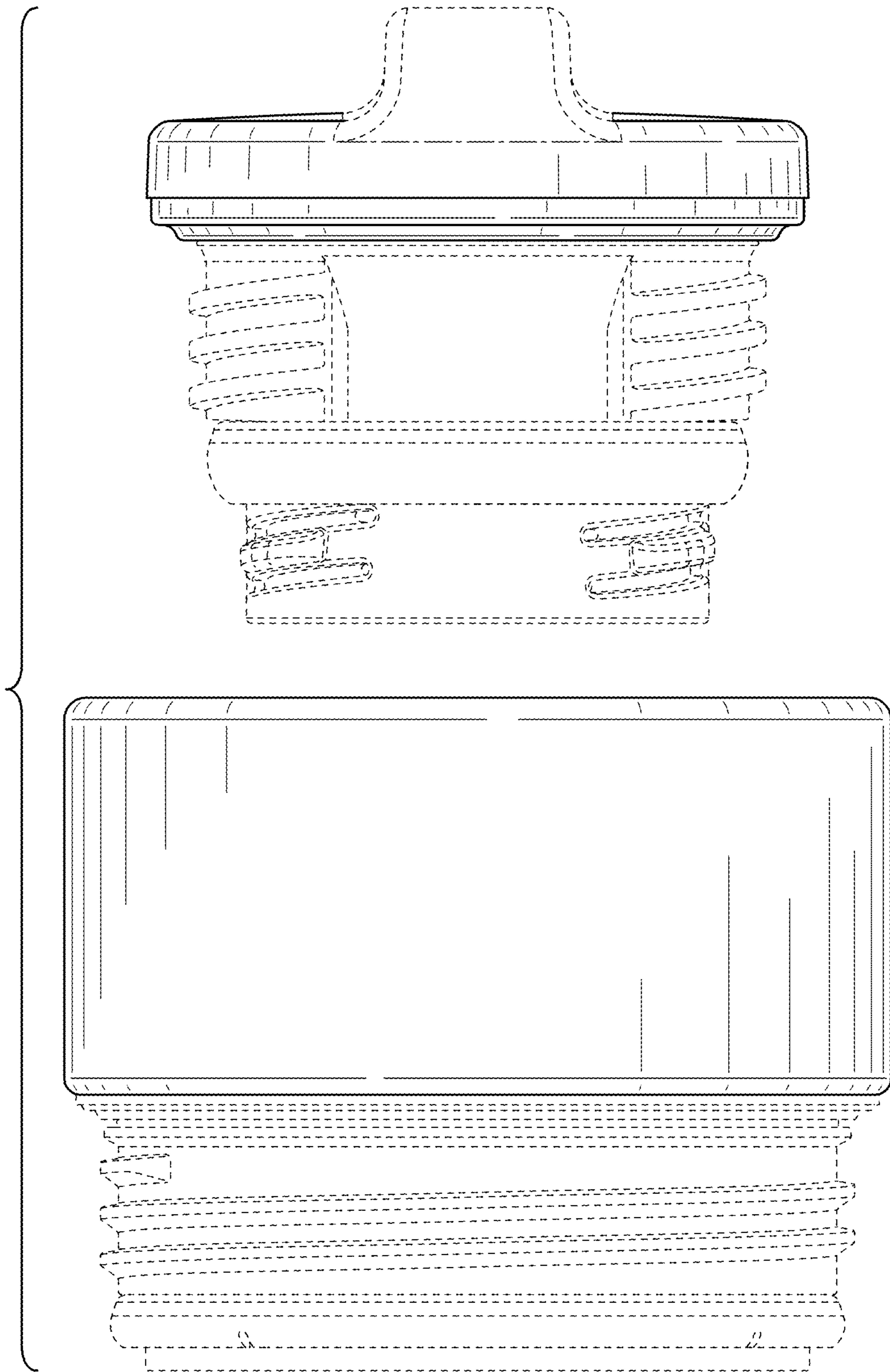


FIG. 12

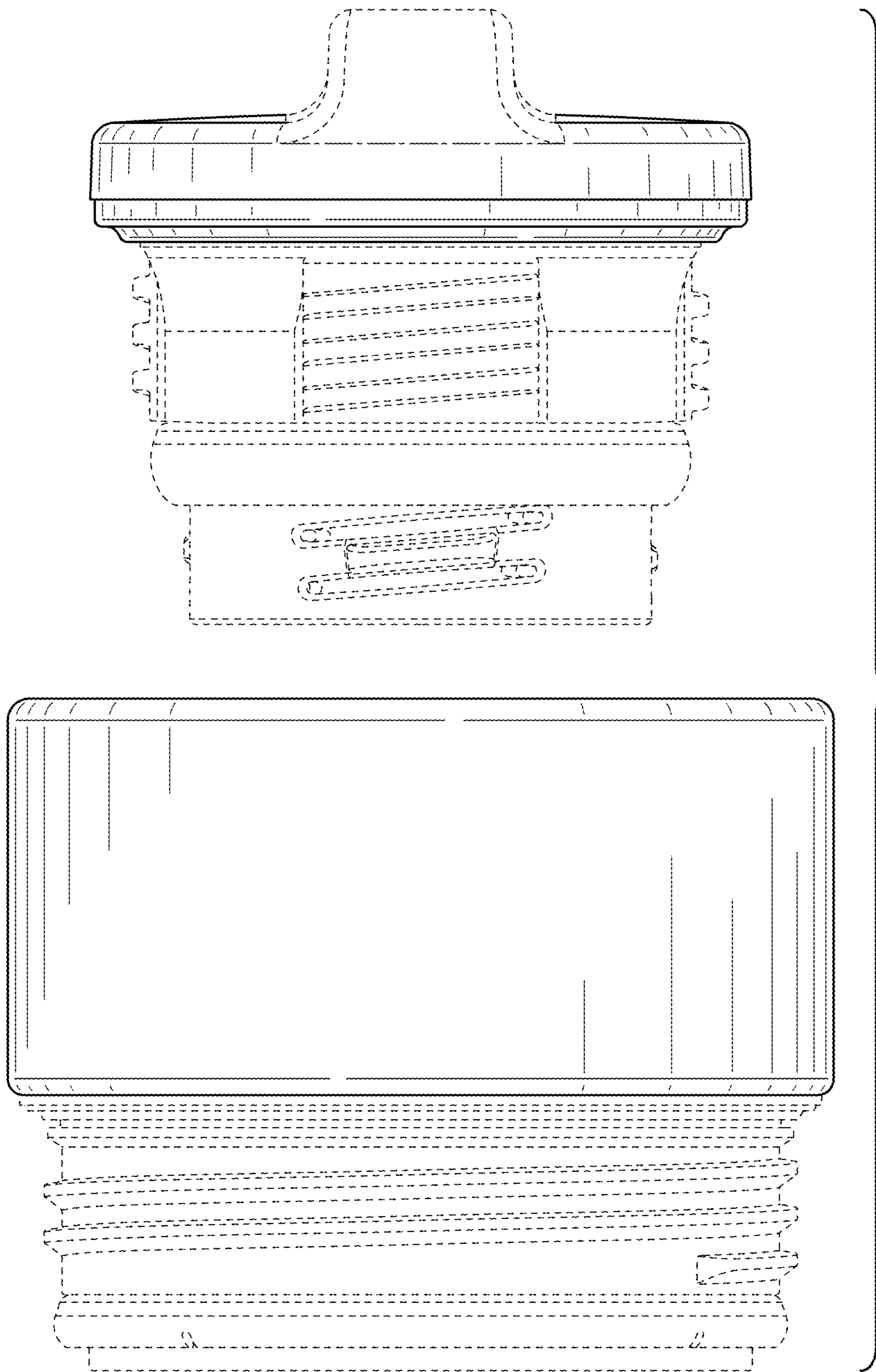


FIG. 13

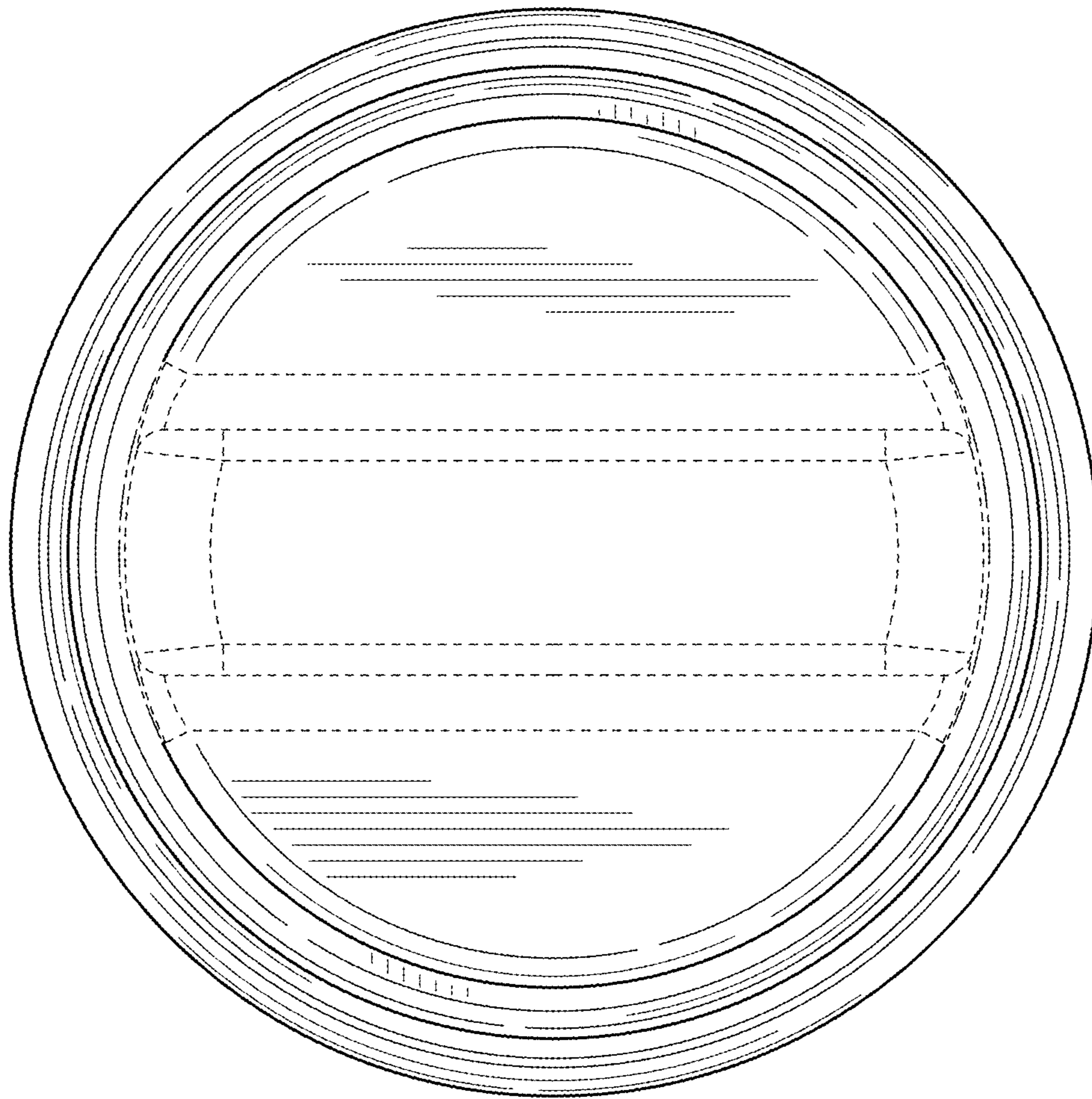


FIG. 14

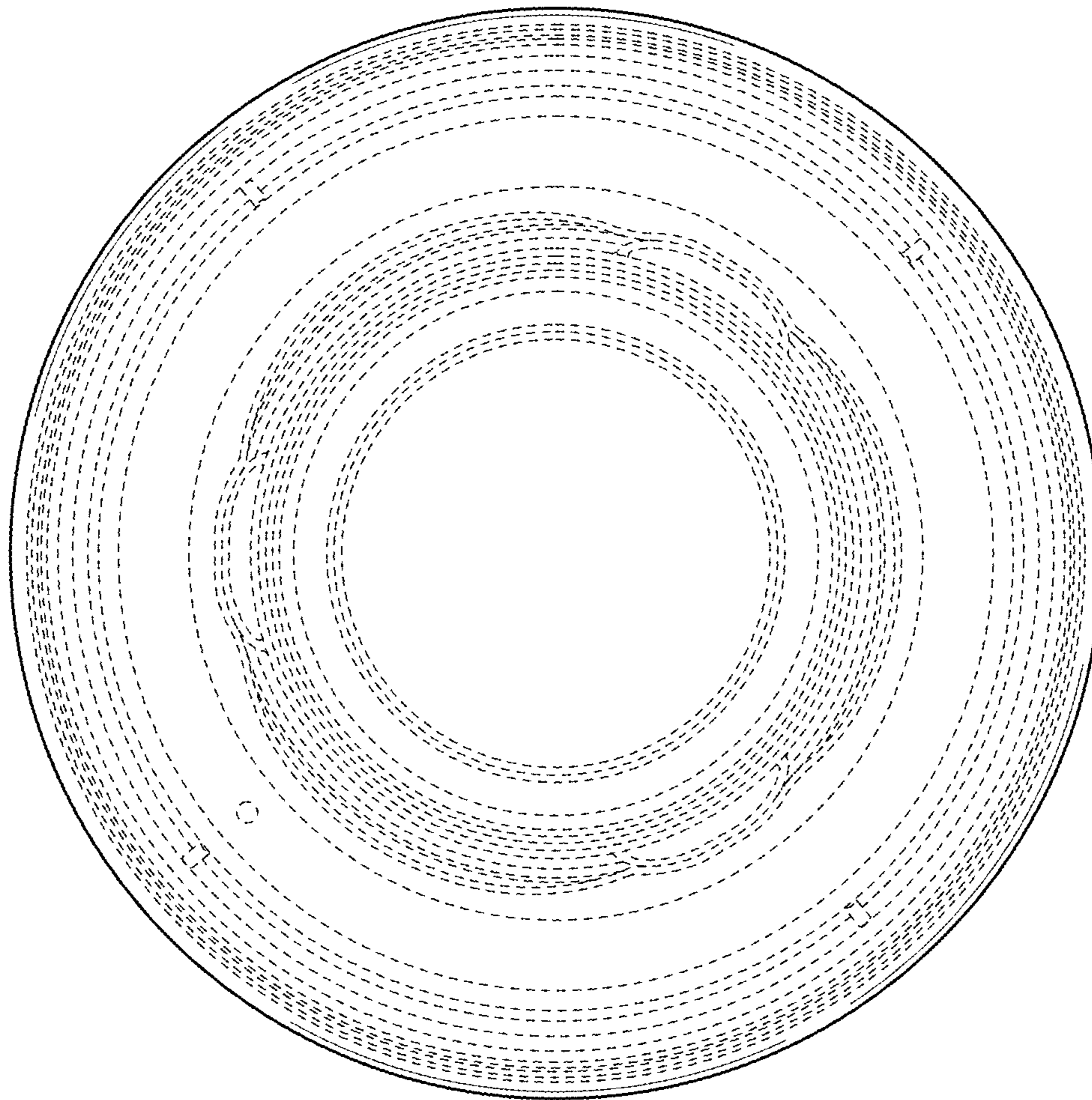


FIG. 15

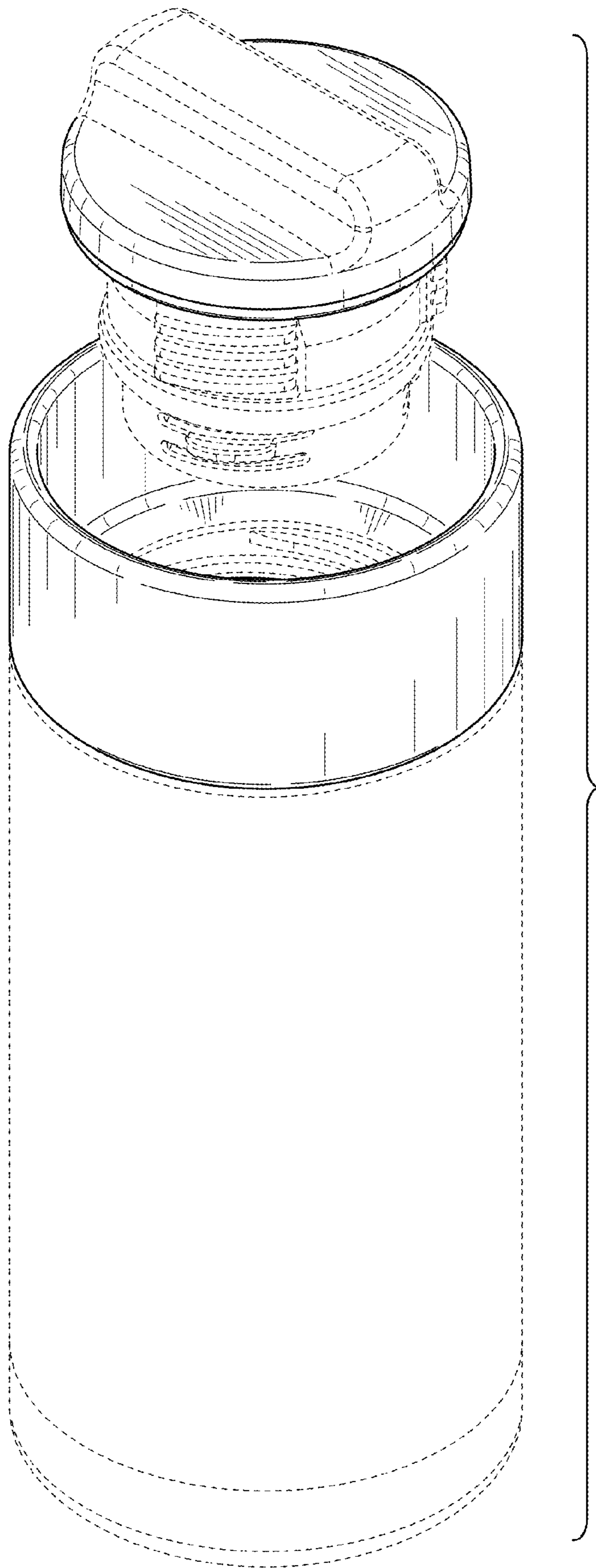


FIG. 16