



US00D883736S

(12) **United States Design Patent**
Jacobsen

(10) **Patent No.:** **US D883,736 S**

(45) **Date of Patent:** **** May 12, 2020**

(54) **PULL-TOP LID**

D848,786 S * 5/2019 Bujalska D7/392.1
10,390,643 B2 * 8/2019 Anderl B65D 47/2031
D858,181 S * 9/2019 Lown D7/392.1

(71) Applicant: **RTIC IP, LLC**, Houston, TX (US)

(72) Inventor: **James Matthew Jacobsen**, Houston, TX (US)

(73) Assignee: **RTIC IP, LLC**, Houston, TX (US)

(**) Term: **15 Years**

(21) Appl. No.: **29/660,631**

(22) Filed: **Aug. 22, 2018**

(51) **LOC (12) Cl.** **07-99**

(52) **U.S. Cl.**
USPC **D7/392.1; D9/447**

(58) **Field of Classification Search**
USPC D7/387, 392.1, 396.2; D9/434–436, 440,
D9/443, 446–449, 454, 455, 499
CPC A47G 21/18; B65D 2517/0049; A45F 3/16
See application file for complete search history.

(56) **References Cited**

U.S. PATENT DOCUMENTS

D614,440 S * 4/2010 Cresswell D7/392.1
D654,793 S * 2/2012 Rosbach D9/436
D748,943 S * 2/2016 Miller D7/392.1
9,259,110 B2 * 2/2016 Garneau B65D 47/2031
D752,916 S * 4/2016 Goodwin D7/392.1
D760,080 S * 6/2016 Gorbald D9/443
D792,216 S * 7/2017 Breit D9/443
D801,174 S * 10/2017 Lown D9/449
9,776,777 B2 * 10/2017 Gorbald B65D 51/242
D802,360 S * 11/2017 Rummel D7/392.1
D811,162 S * 2/2018 Rane D7/396.2
D847,563 S * 5/2019 Jacobsen D7/396.2

OTHER PUBLICATIONS

The Wire Cutter. The Best Water Bottles by Eve O'Neill. Sep. 25, 2019. <https://thewirecutter.com/reviews/best-water-bottle/> (Year: 2019).*
RTIC. Water Bottle Lid, Pull Top. No date specified. <https://www.rticcoolers.com/shop/accessories/Water-Bottle-Lid-Pull-Top> (Year: 0).*

(Continued)

Primary Examiner — Darcey E Gottschalk

(74) *Attorney, Agent, or Firm* — Fish & Richardson P.C.

(57) **CLAIM**

The ornamental design for a pull-top lid, as shown and described.

DESCRIPTION

FIG. 1 is a perspective view of a pull-top lid showing my new design.

FIG. 2 is a front view thereof.

FIG. 3 is a rear view thereof.

FIG. 4 is a right side view thereof.

FIG. 5 is a left side view thereof.

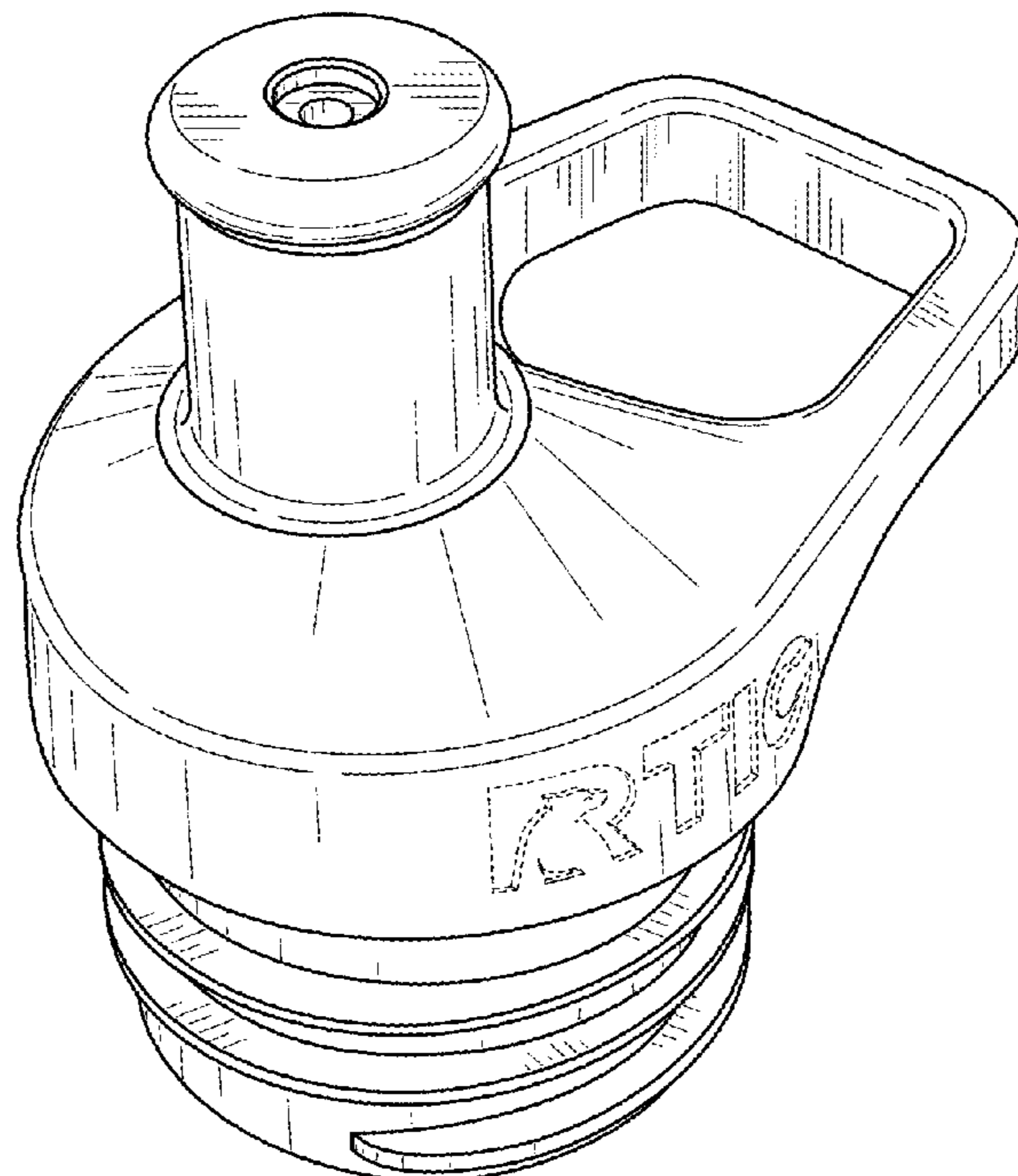
FIG. 6 is a top view thereof; and,

FIG. 7 is a bottom view thereof and the inside portion of the bottom of the pull-top lid is not part of the claimed design.

The surface shading and contour lines shown in the drawings represent the three-dimensional character and contour of the article, and are not intended to illustrate material, surface ornamentation or surface decoration.

Dashed lines illustrate a logo on the lid and an inside portion of the pull-top lid and form no part of the claimed design.

1 Claim, 4 Drawing Sheets



(56)

References Cited

OTHER PUBLICATIONS

'amazon.com' [online]. "Double Wall Stainless Steel Artic Tumbler Water Bottle with Push Pull Plastic Spout Top, 22 oz," Published on or before Aug. 21, 2018, [retrieved on Mar. 21, 2019], retrieved from the Internet: URL:<https://www.amazon.com/Double-Stainless-Artic-Tumbler-Plastic/dp/B01CIQ75NS/ref=sr_1_154?keywords=pull+top+lid&qid=1553188366&s=gateway&sr=8-154>. 5 pages.

'amazon.com' [online]. "Hydro Flask Standard Mouth BPA Free Insulated Water Bottle One Handed Sport Cap, Black (Not Leak Proof)," Published on or before Aug. 21, 2018, [retrieved on Mar. 21, 2019], retrieved from the Internet: URL:<https://www.amazon.com/Hydro-Flask-Standard-Insulated-Bottle/dp/B00T6PTQ6Y/ref=pd_sbs_200_29?_encoding=UTF8&pd_rd_i=B00T6PTQ6Y&pd_rd_r=32b5fcd1-4bfc-11e9-a88d-f3fb2fd5a48&pd_rd_w=LktGZ&pd_rd_wg=IxLiK&pf_rd_p=763ccc93-bfa2-47be-85ae-0cdd7e00b3da&pf_rd_r=S3TFWCQT0FN79M0ZDV9A&p=1&refRID=S3TFWCQT0FN79M0ZDV9A>. 10 pages.

'amazon.com' [online]. "Klean Kanteen 3.0 Sport Cap (Black)—2 Pack," Published on or before Aug. 21, 2018, [retrieved on Mar. 21, 2019], retrieved from the Internet: URL:<<https://www.amazon.com/>

Klean-Kanteen-3-0-Sport-Black/dp/B00B95Z59G/ref=pd_sbs_200_44?_encoding=UTF8&pd_rd_i=B00B95Z59G&pd_rd_r=32b5fcd1-4bfc-11e9-a88d-f3fb2fd5a48&pd_rd_w=LktGZ&pd_rd_wg=IxLiK&pf_rd_p=763ccc93-bfa2-47be-85ae-0cdd7e00b3da&pf_rd_r=S3TFWCQT0FN79M0ZDV9A&p=1&refRID=S3TFWCQT0FN79M0ZDV9A>. 7 pages.

'amazon.com' [online]. "Klean Kanteen Sport Cap, Leak Resistant Water Bottle Cap with Safe and Soft Silicone Spout," Published on or before Aug. 21, 2018, [retrieved on Mar. 21, 2019], retrieved from the Internet: URL:<https://www.amazon.com/Klean-Kanteen-Resistant-Bottle-Silicone/dp/B0083F0TQ4/ref=pd_sbs_200_20?_encoding=UTF8&pd_rd_i=B0083F0TQ4&pd_rd_r=32b5fcd1-4bfc-11e9-a88d-f3fb2fd5a48&pd_rd_w=LktGZ&pd_rd_wg=IxLiK&pf_rd_p=763ccc93-bfa2-47be-85ae-0cdd7e00b3da&pf_rd_r=S3TFWCQT0FN79M0ZDV9A&p=1&refRID=S3TFWCQT0FN79M0ZDV9A>. 11 pages.

'amazon.com' [online]. "Stainless Steel Water Bottle Vacuum Insulated Water Bottle Double Walled Water Bottle with Dual Lids Straw Lid and Sports Lid With Carabiner," Published on or before Aug. 21, 2018, [retrieved on Mar. 21, 2019], retrieved from the Internet: URL:<https://www.amazon.com/Stainless-Bottle-Insulated-Sports-Carabiner/dp/B018DSSR46/ref=sr_1_235?keywords=pull+top+lid&qid=1553188394&s=gateway&sr=8-235>. 8 pages.

* cited by examiner

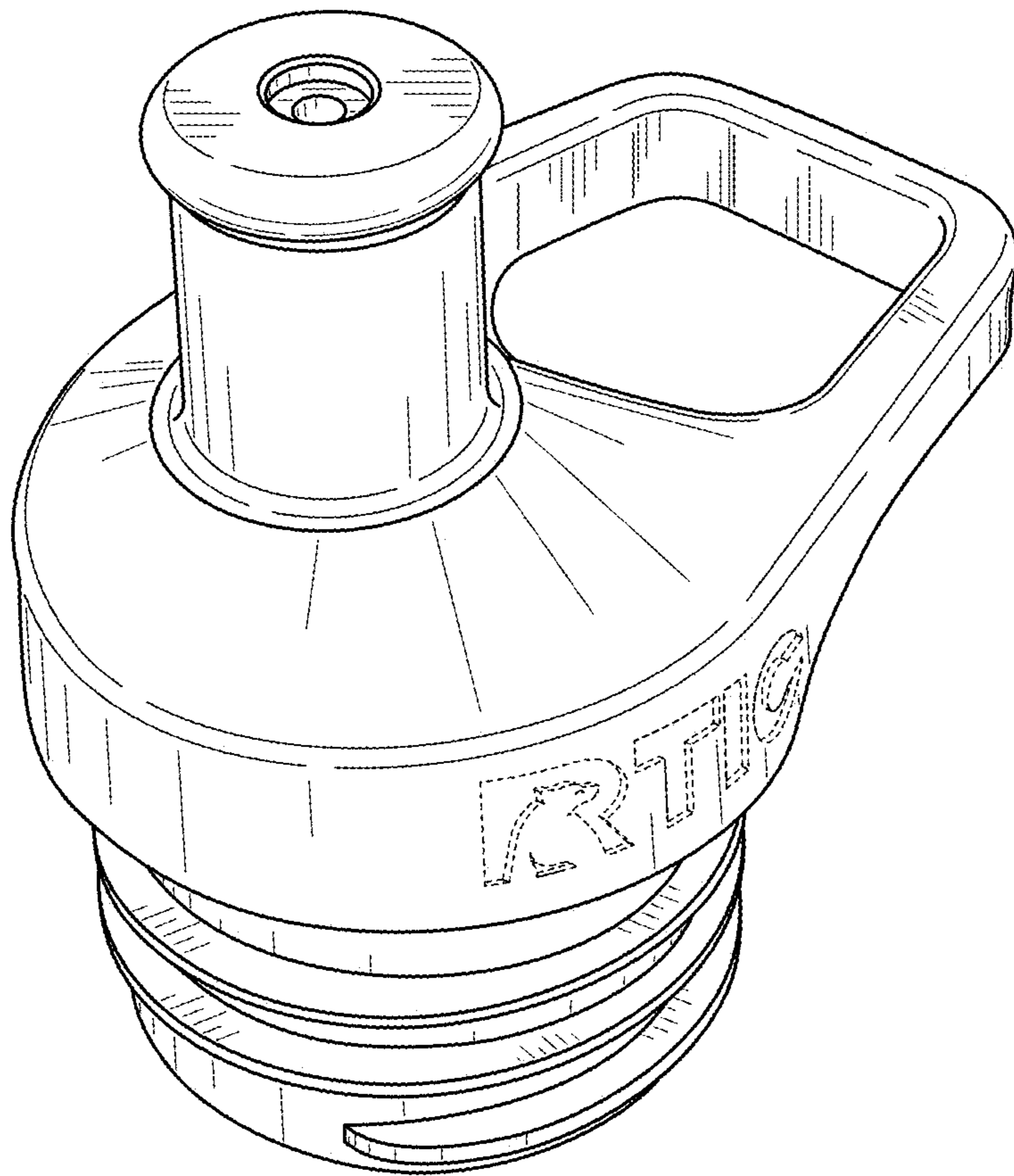


FIG. 1

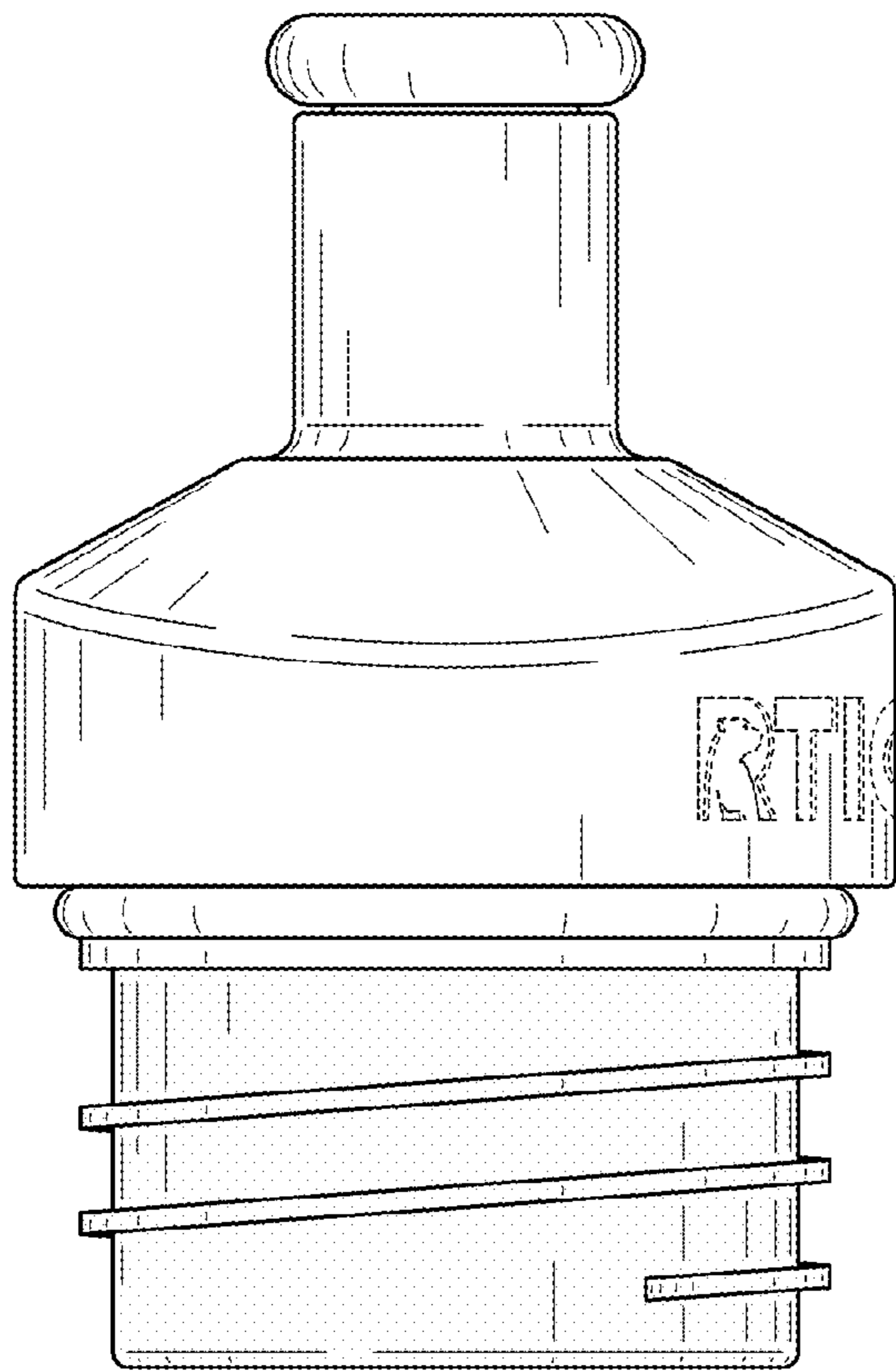


FIG. 2

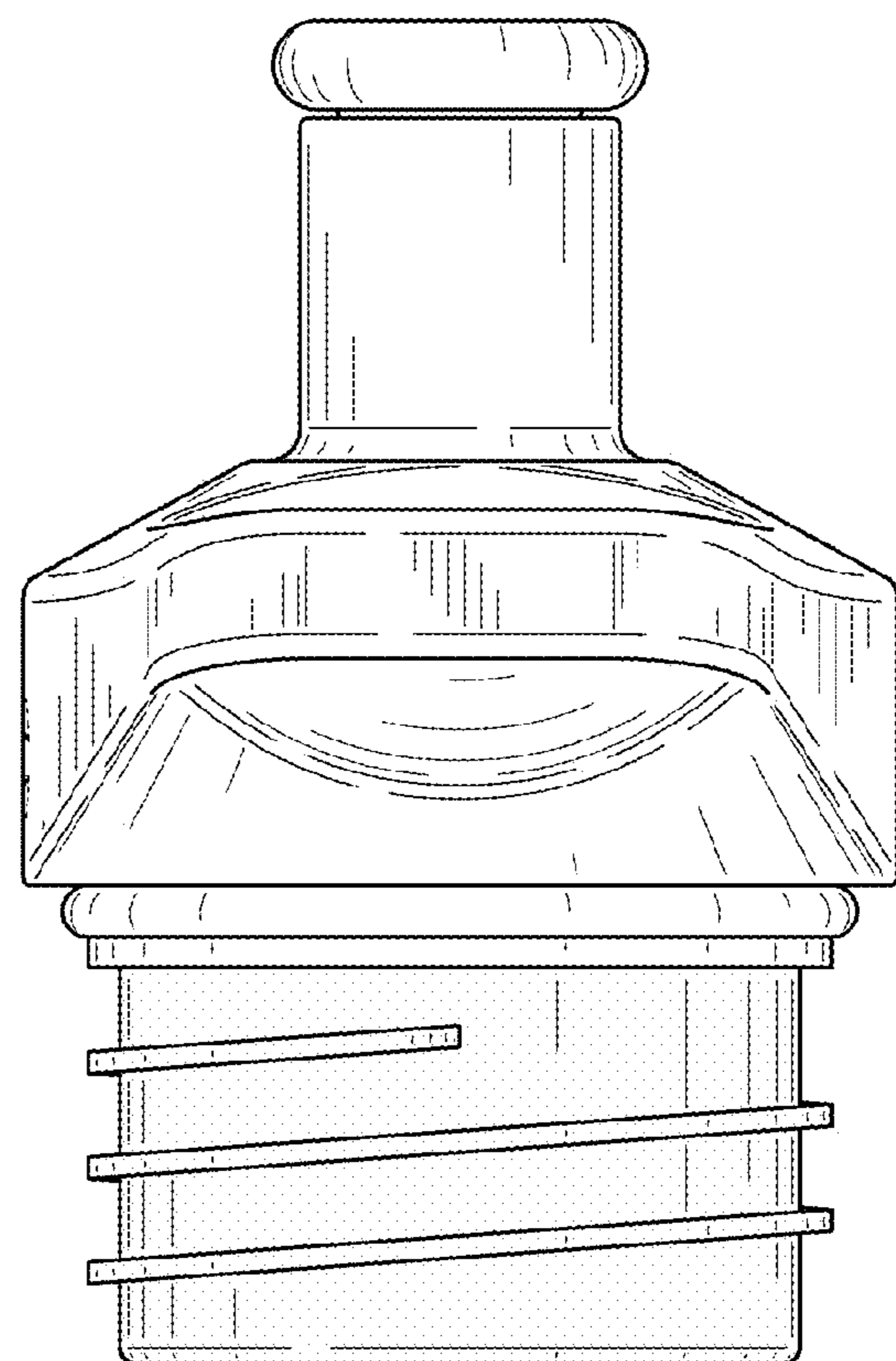


FIG. 3

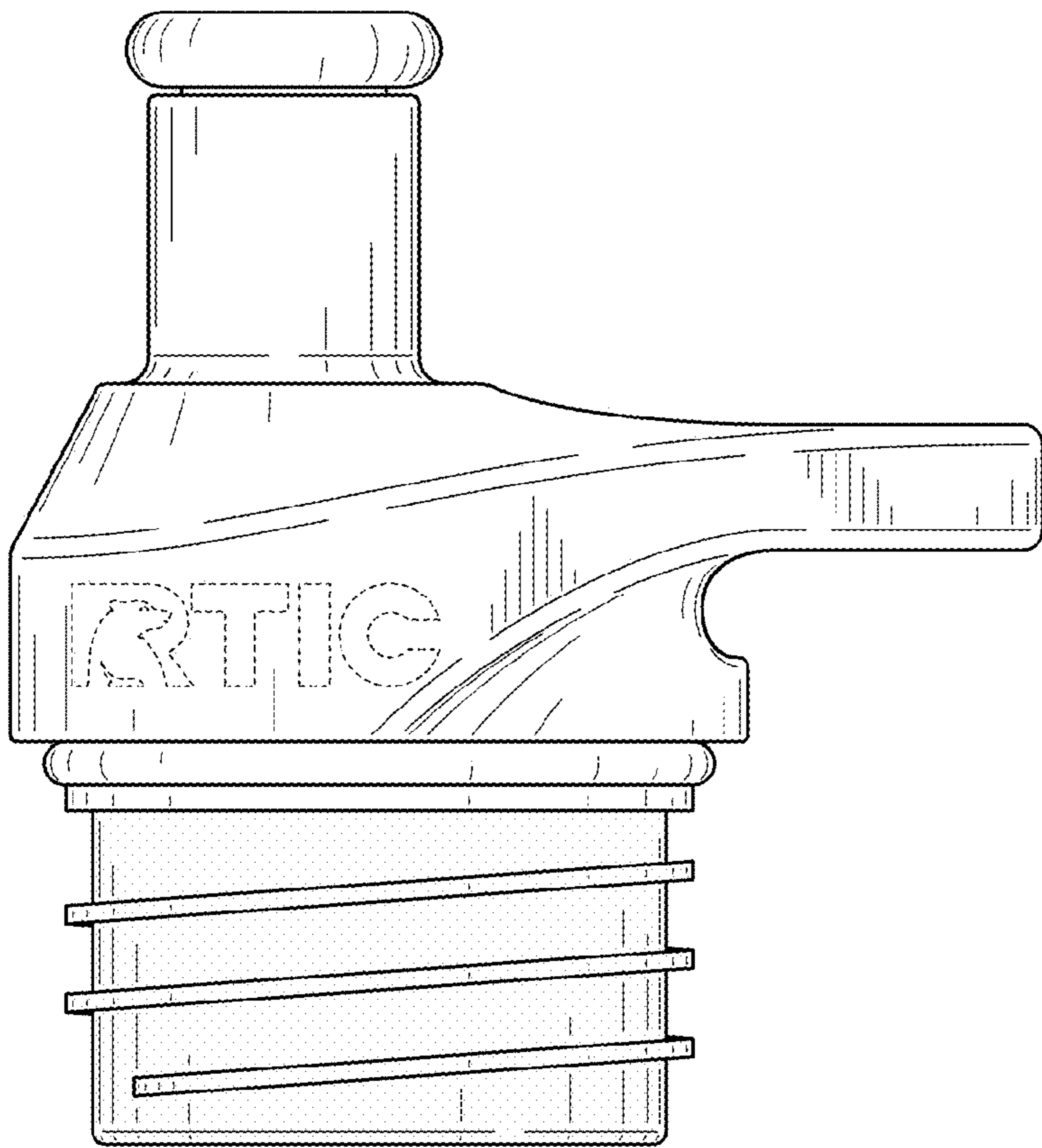


FIG. 4

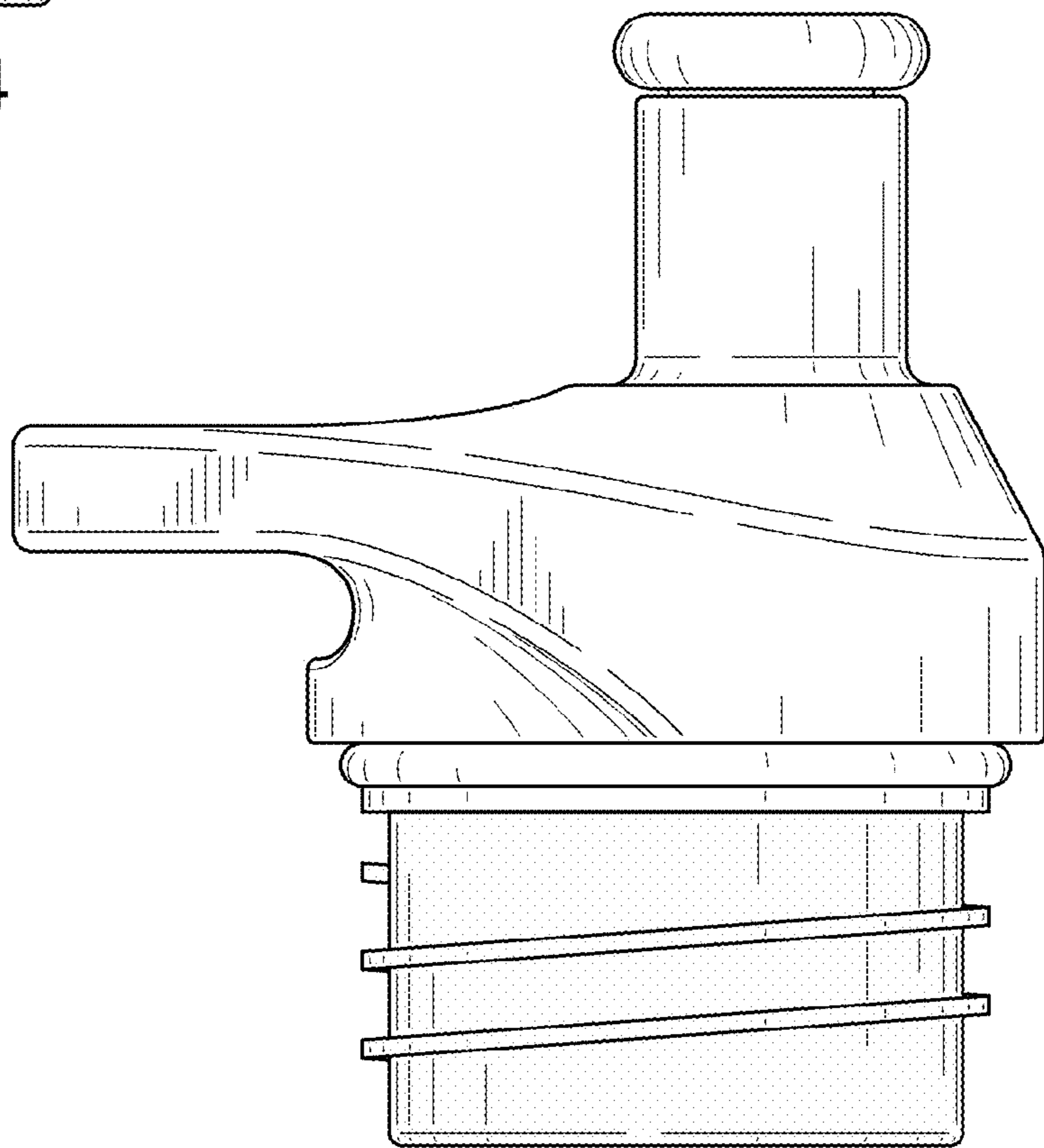


FIG. 5

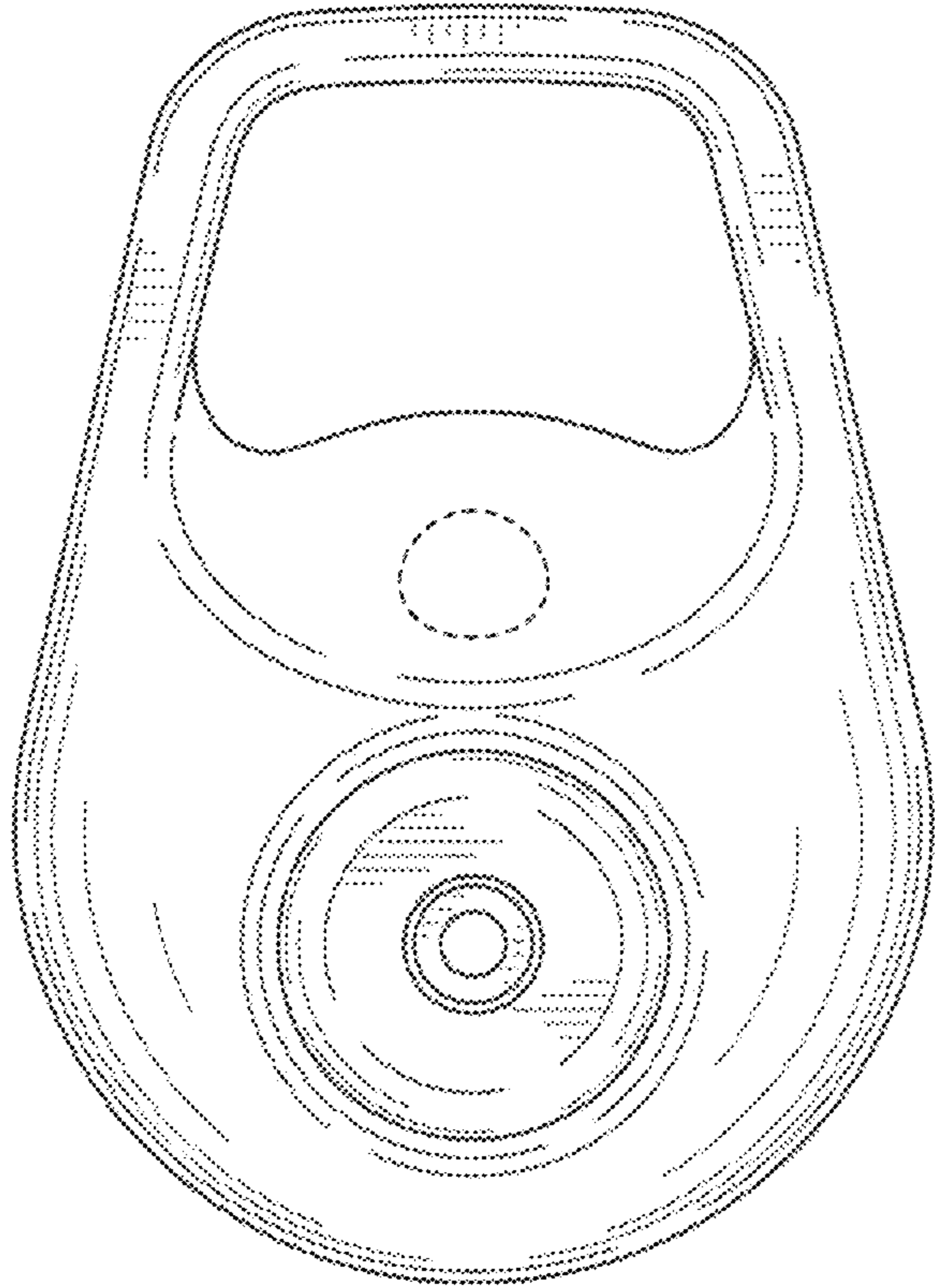


FIG. 6

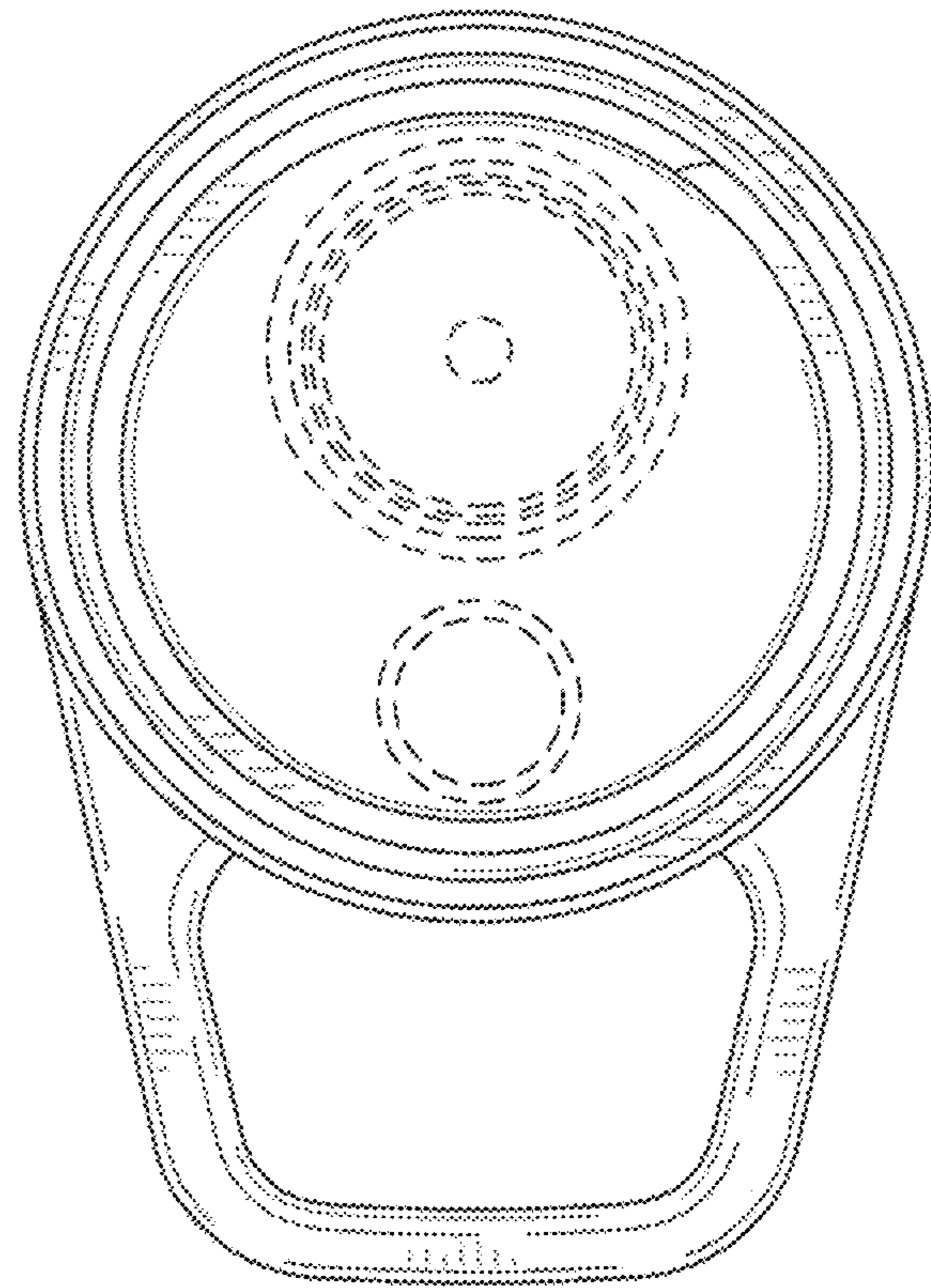


FIG. 7