



US00D883735S

(12) **United States Design Patent**
Adams, Jr. et al.

(10) **Patent No.:** **US D883,735 S**
(45) **Date of Patent:** **** May 12, 2020**

- (54) **BEVERAGE CONTAINER CAP**
- (71) Applicant: **Klean Kanteen, Inc.**, Chico, CA (US)
- (72) Inventors: **Richard John Adams, Jr.**, Bozeman, MT (US); **Joshua James Birkle**, Chico, CA (US); **James Osgood**, Chico, CA (US)
- (73) Assignee: **KLEAN KANTEEN, INC.**, Chico, CA (US)
- (**) Term: **15 Years**
- (21) Appl. No.: **29/662,771**
- (22) Filed: **Sep. 7, 2018**
- (51) **LOC (12) Cl.** **07-99**
- (52) **U.S. Cl.**
USPC **D7/392; D7/392.1**
- (58) **Field of Classification Search**
USPC D7/387, 391, 394, 396.2, 509-511, 538, D7/900; D3/201, 202; D9/434, 435, D9/436, 439, 440, 442, 443, 446-450, D9/499, 686
CPC .. A61J 1/00; A61J 1/1412; B65D 1/00; B65D 1/02; B65D 1/10; B65D 1/46; B65D 2585/56; B65D 2585/545; B65D 41/00; B65D 41/38; B65D 41/56; B65D 41/62; B65D 47/00; B65D 47/06; B65D 47/08; B65D 2543/00046; B65D 2543/00092; B65D 2543/00296; B65D 5/46; B65D 2251/00
See application file for complete search history.

- D753,950 S * 4/2016 Feeley D7/392.1
 - D812,428 S * 3/2018 Wu D7/510
 - D853,182 S * 7/2019 Adams, Jr. D7/392
- (Continued)

FOREIGN PATENT DOCUMENTS

- CA 182404 * 5/2019
- Primary Examiner* — Karen S Acker
- Assistant Examiner* — Steven B Reinholdt, Jr.
- (74) *Attorney, Agent, or Firm* — Alleman Hall Creasman & Tuttle LLP

(57) **CLAIM**

The ornamental design for a beverage container cap, as shown and described.

DESCRIPTION

FIG. 1 is a first top perspective view of a beverage container cap showing our new design.

FIG. 2 is a second top perspective view of the beverage container cap of FIG. 1.

FIG. 3 is a front elevation view of the beverage container cap of FIG. 1.

FIG. 4 is a back elevation view of the beverage container cap of FIG. 1.

FIG. 5 is a left-side elevation view of the beverage container cap of FIG. 1.

FIG. 6 is a right-side elevation view of the beverage container cap of FIG. 1 in a position of use.

FIG. 7 is a top plan view of the beverage container cap of FIG. 1; and,

FIG. 8 is a bottom plan view of the beverage container cap of FIG. 1.

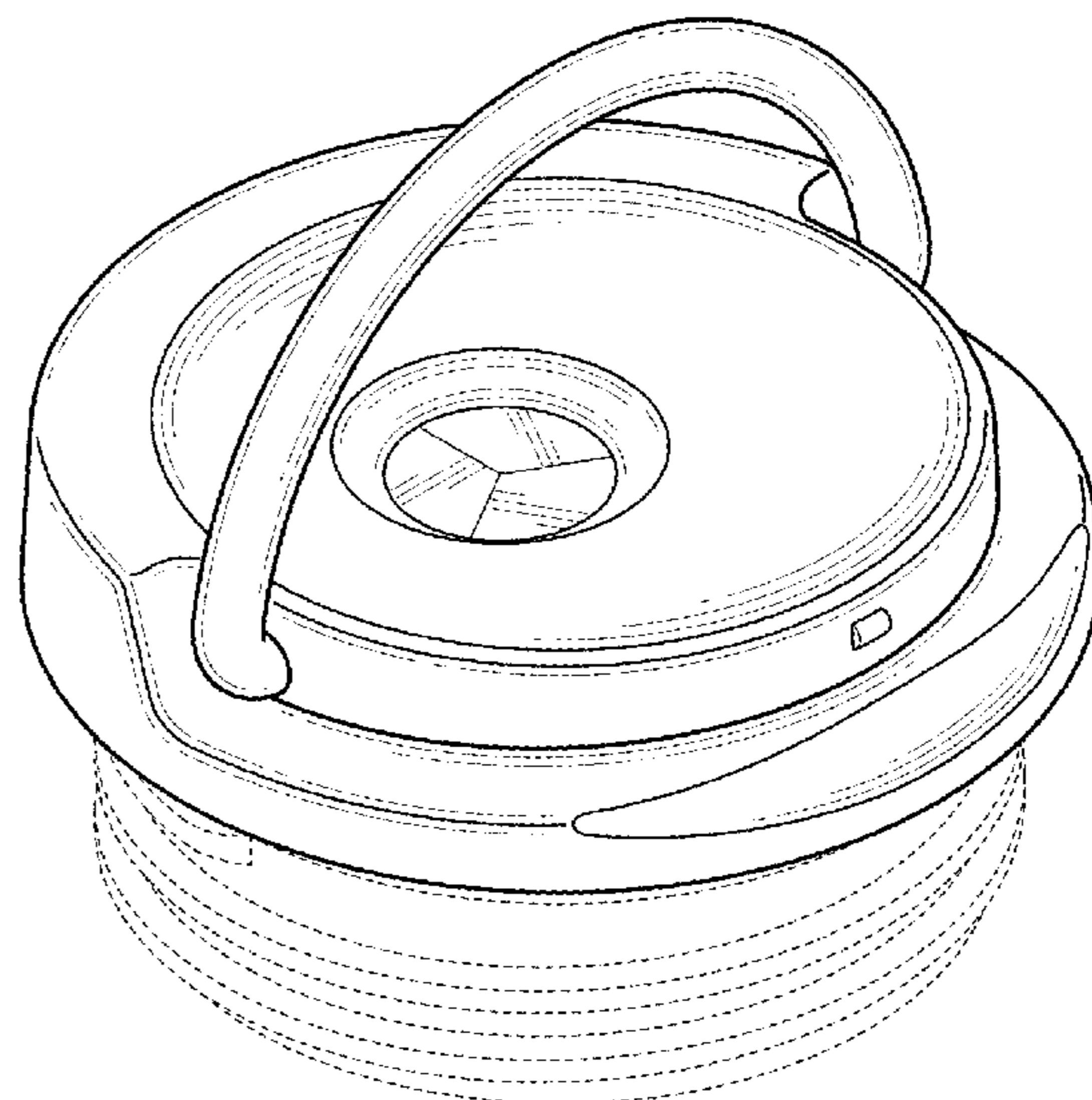
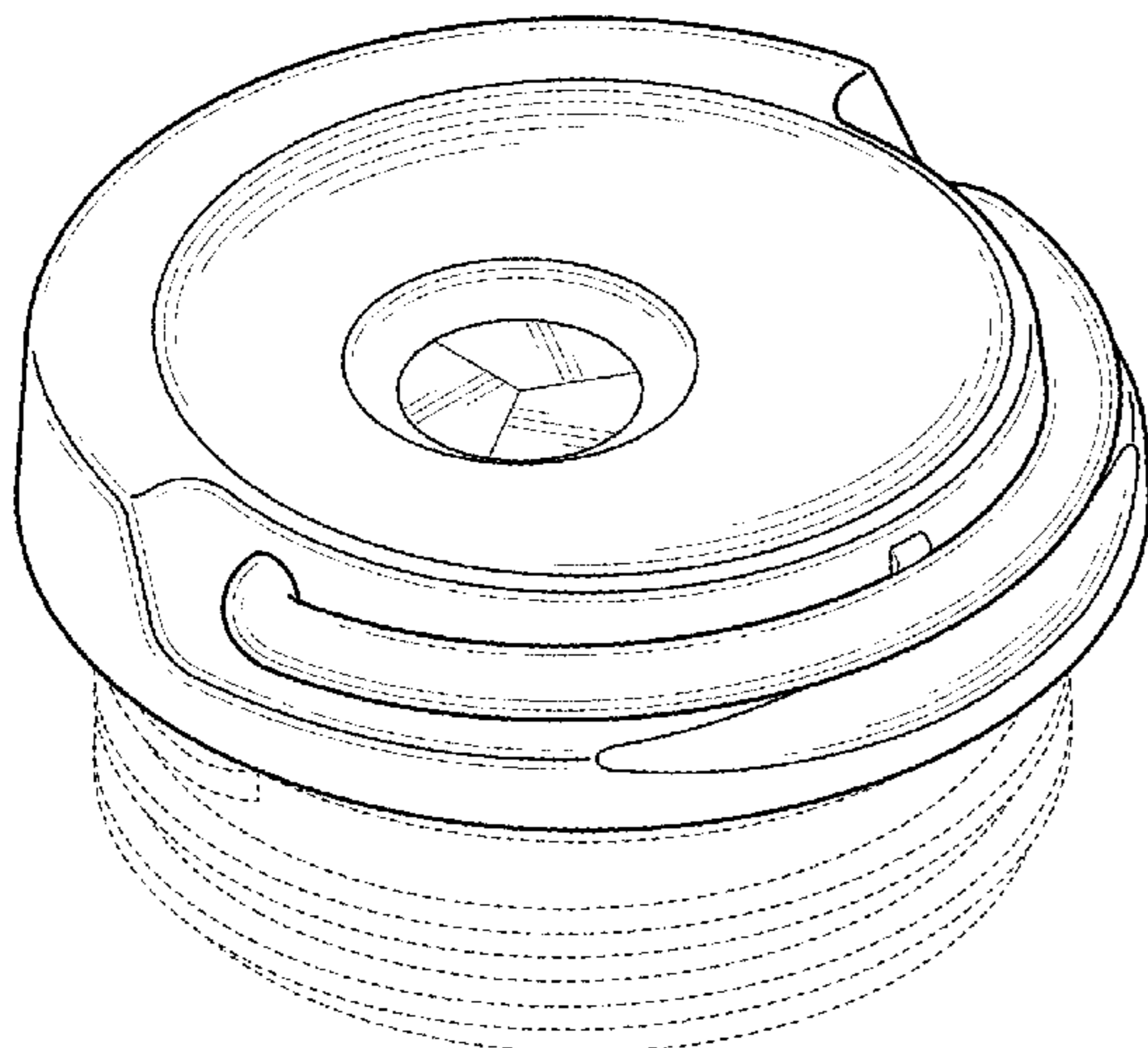
The dashed lines and the areas within them in FIGS. 1-5 and 8 depict a threaded lower portion of the beverage container cap that forms no part of the claimed design. The dashed lines and the areas within them in FIG. 6 depict the environment of a container that forms no part of the claimed design.

1 Claim, 4 Drawing Sheets

(56) **References Cited**

U.S. PATENT DOCUMENTS

- D620,357 S * 7/2010 Jewett D9/443
- D690,987 S * 10/2013 Gallen D7/392.1
- D703,997 S * 5/2014 Munari D7/393
- D727,681 S * 4/2015 Osgood D7/392.1



(56)

References Cited

U.S. PATENT DOCUMENTS

D867,058 S * 11/2019 Spivey D7/392.1
2008/0173647 A1 * 7/2008 Ochoa Laburu B65D 47/08
220/282

* cited by examiner

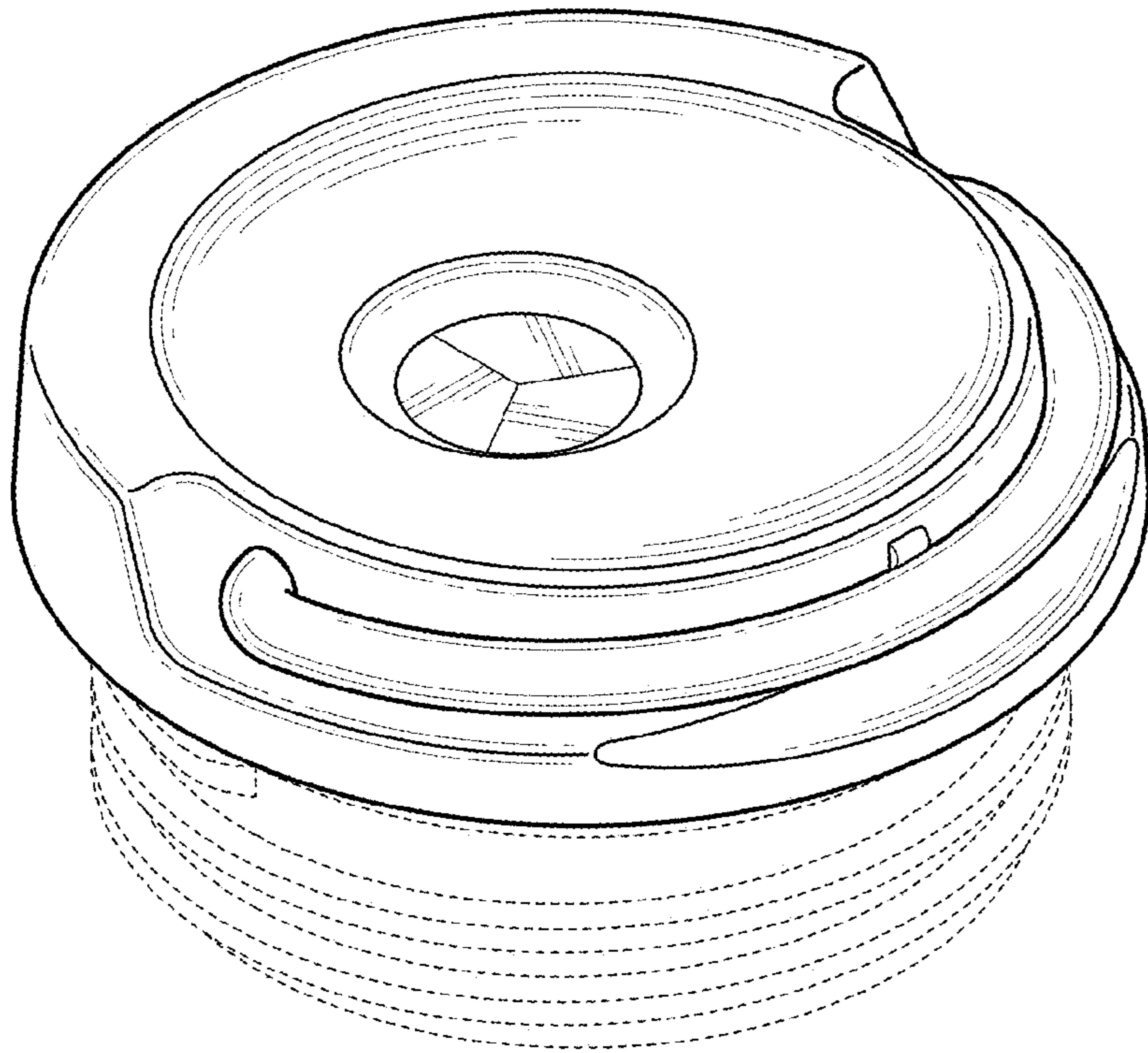


FIG. 1

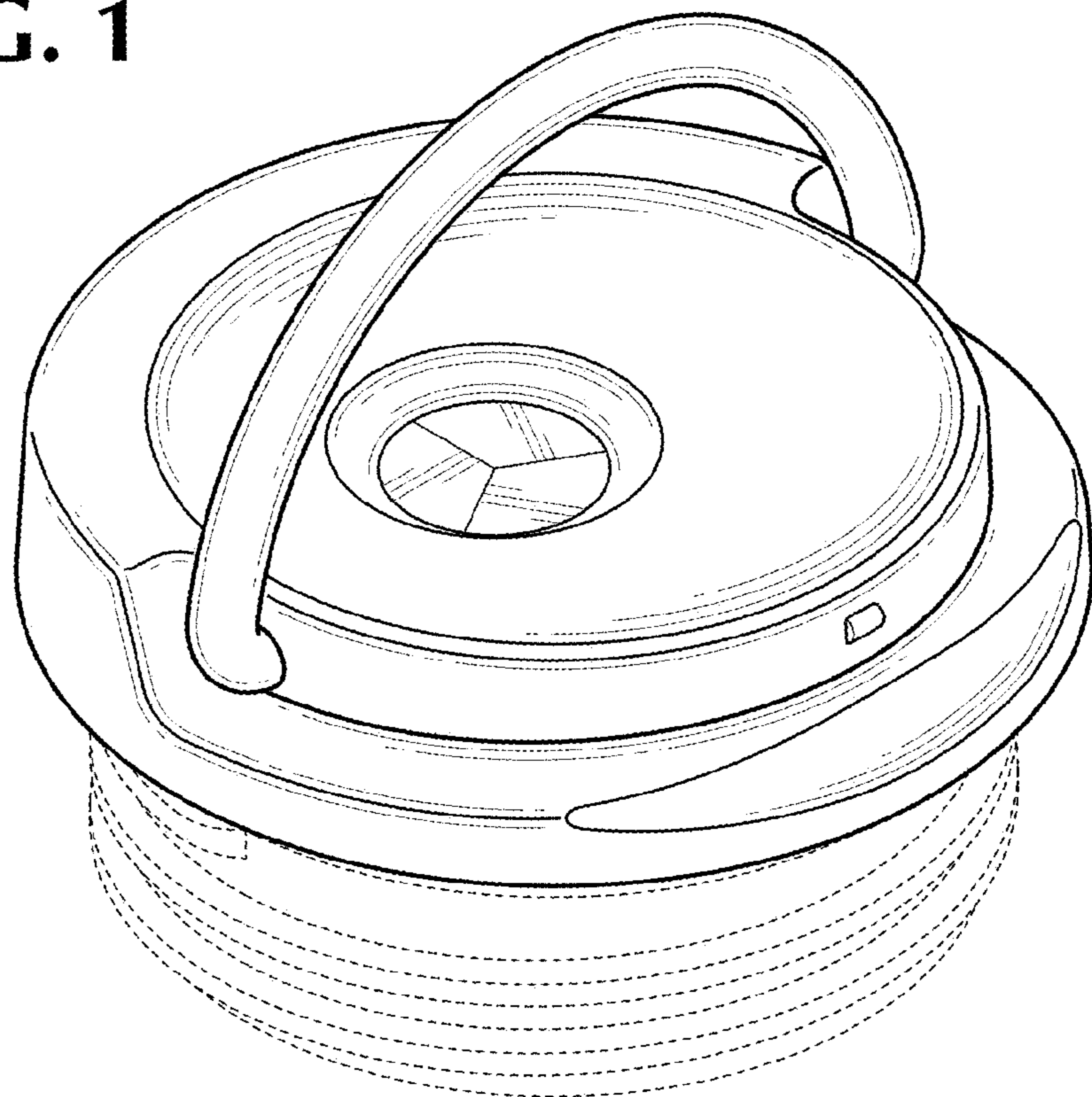


FIG. 2

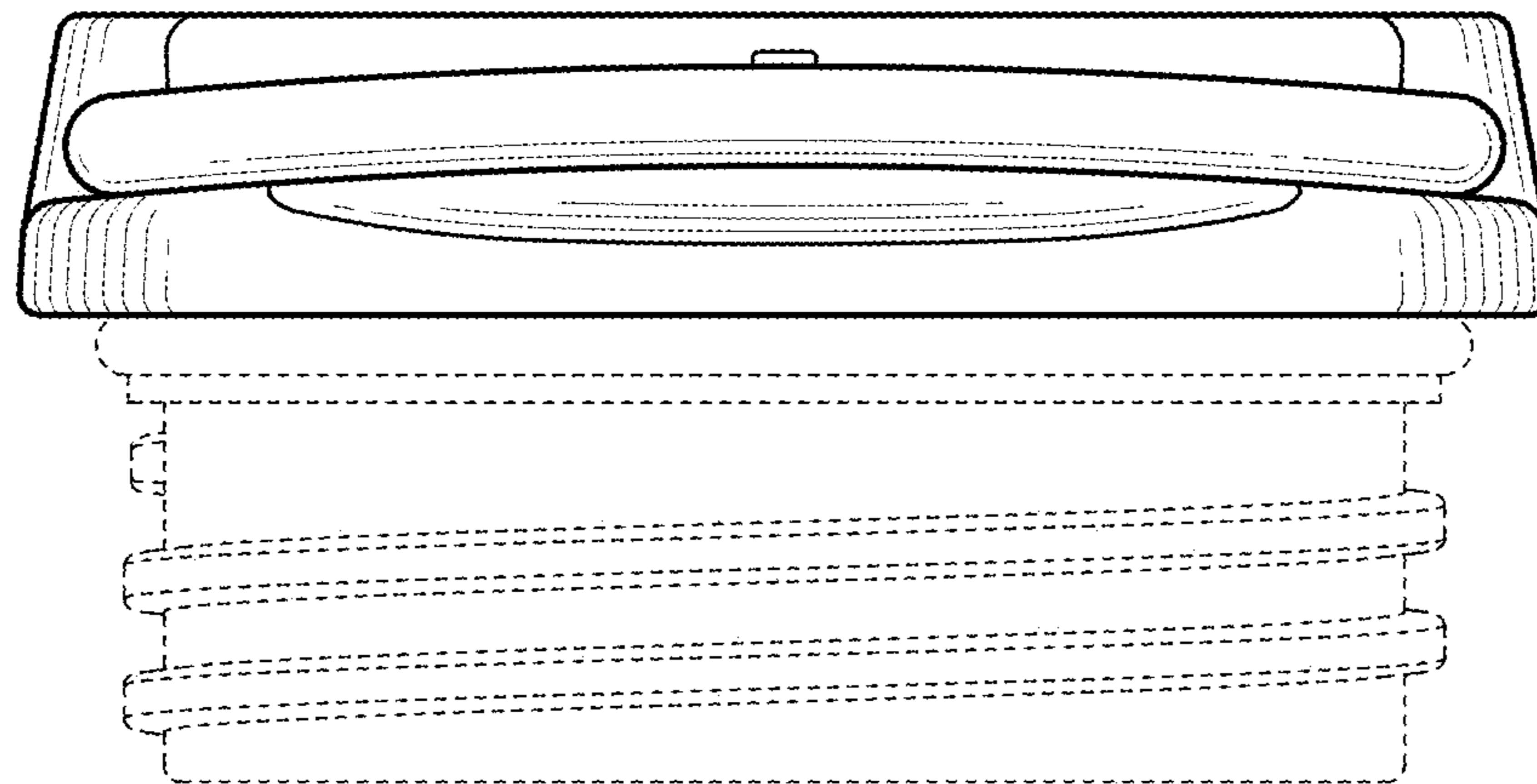


FIG. 3

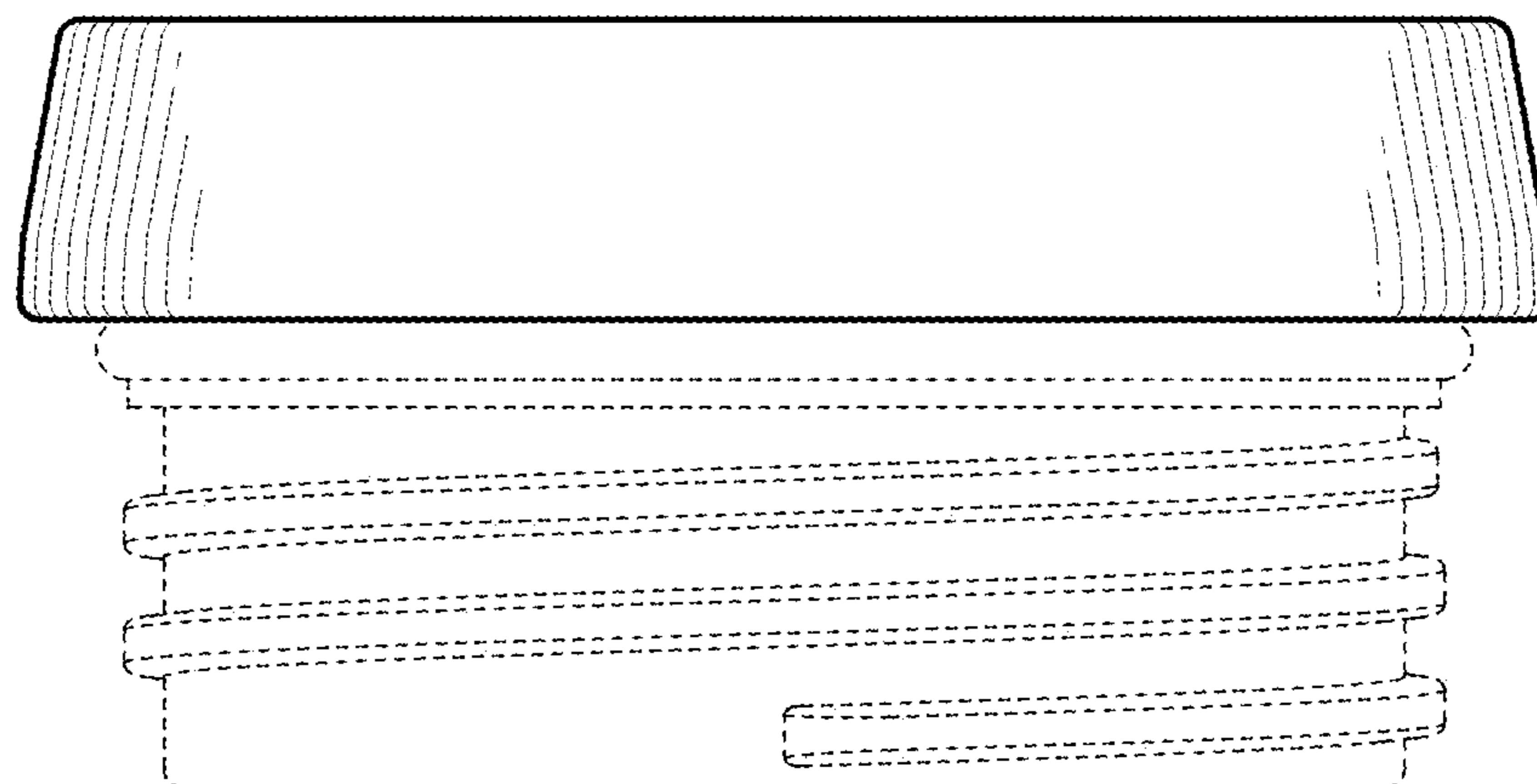


FIG. 4

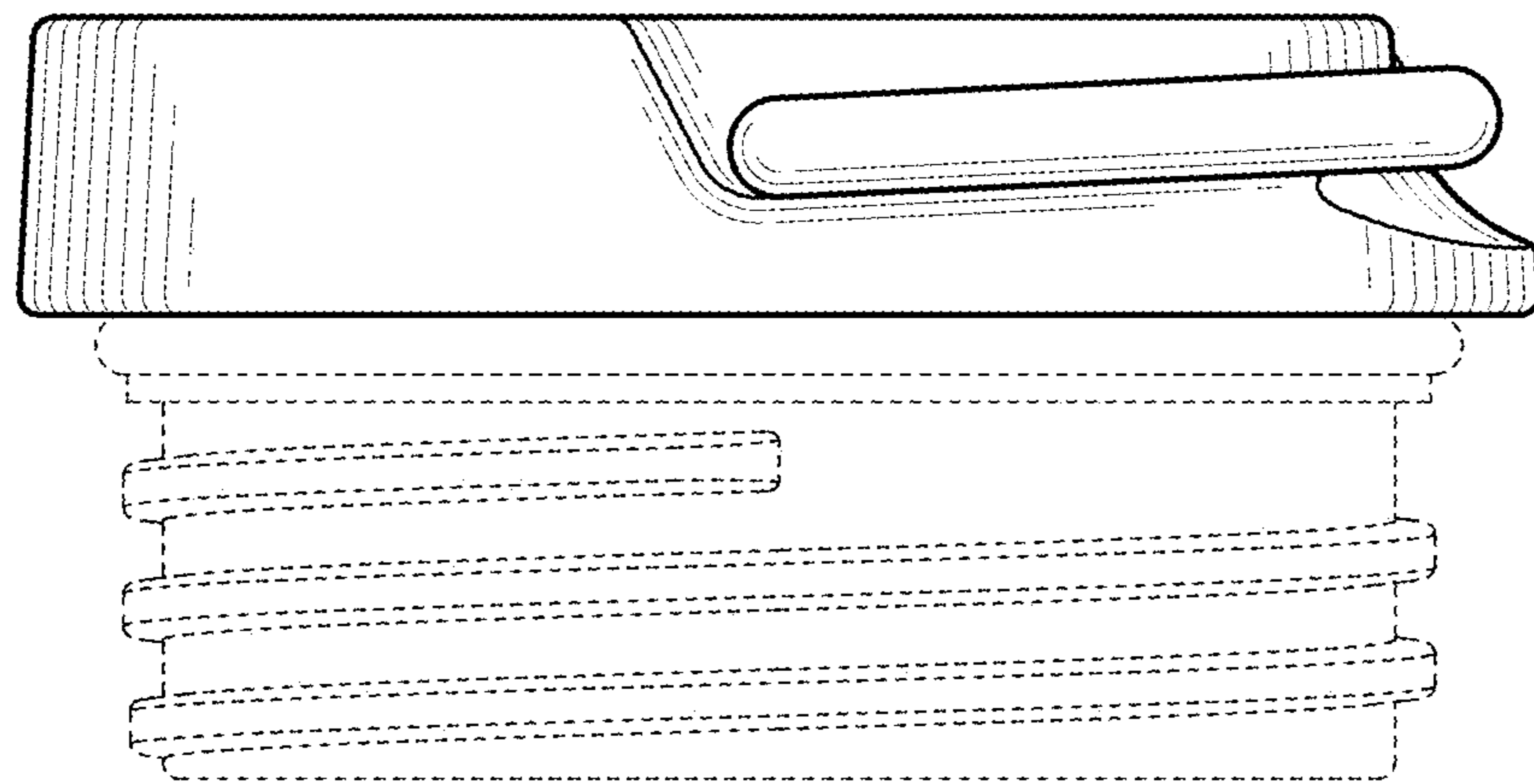


FIG. 5

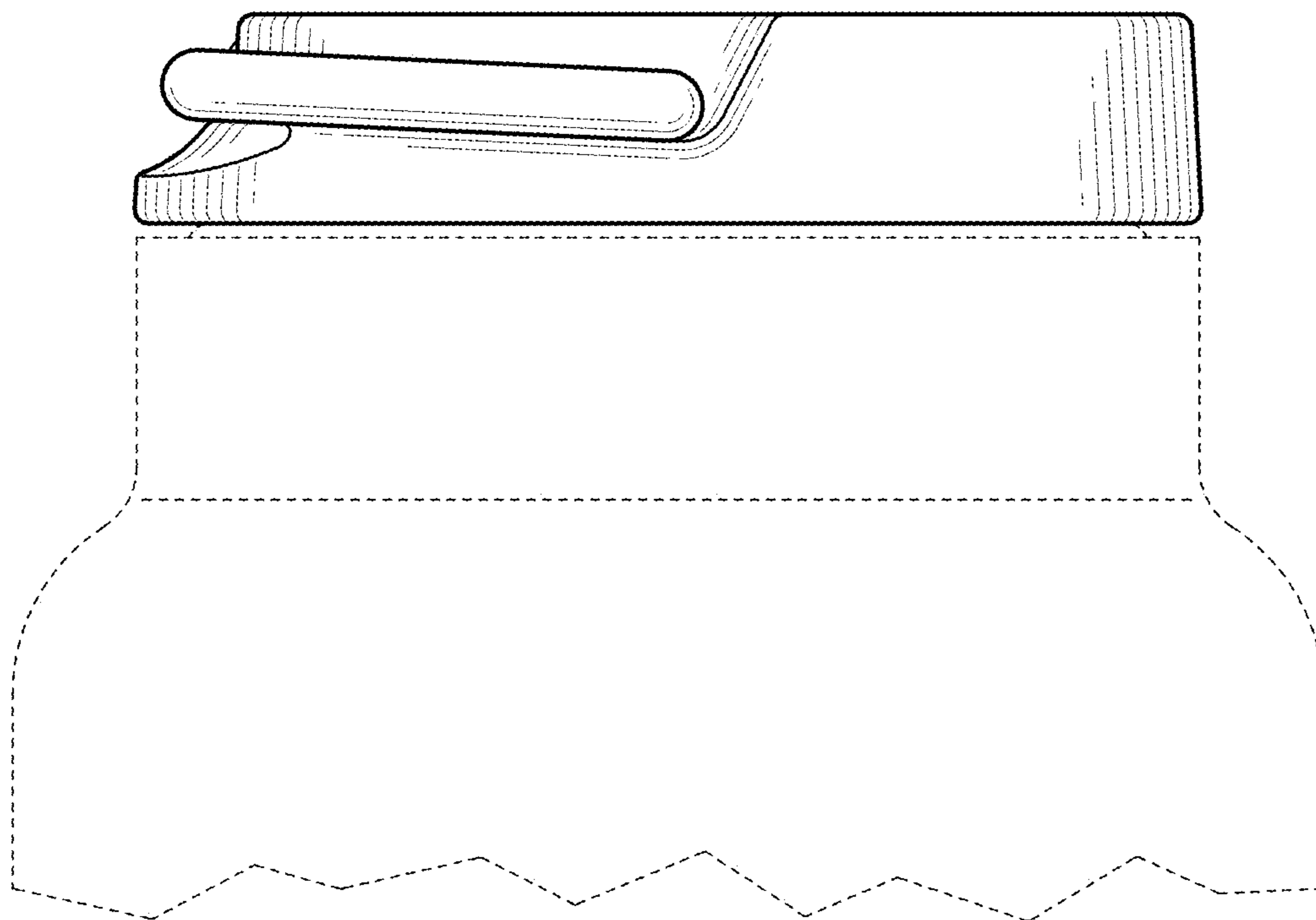


FIG. 6

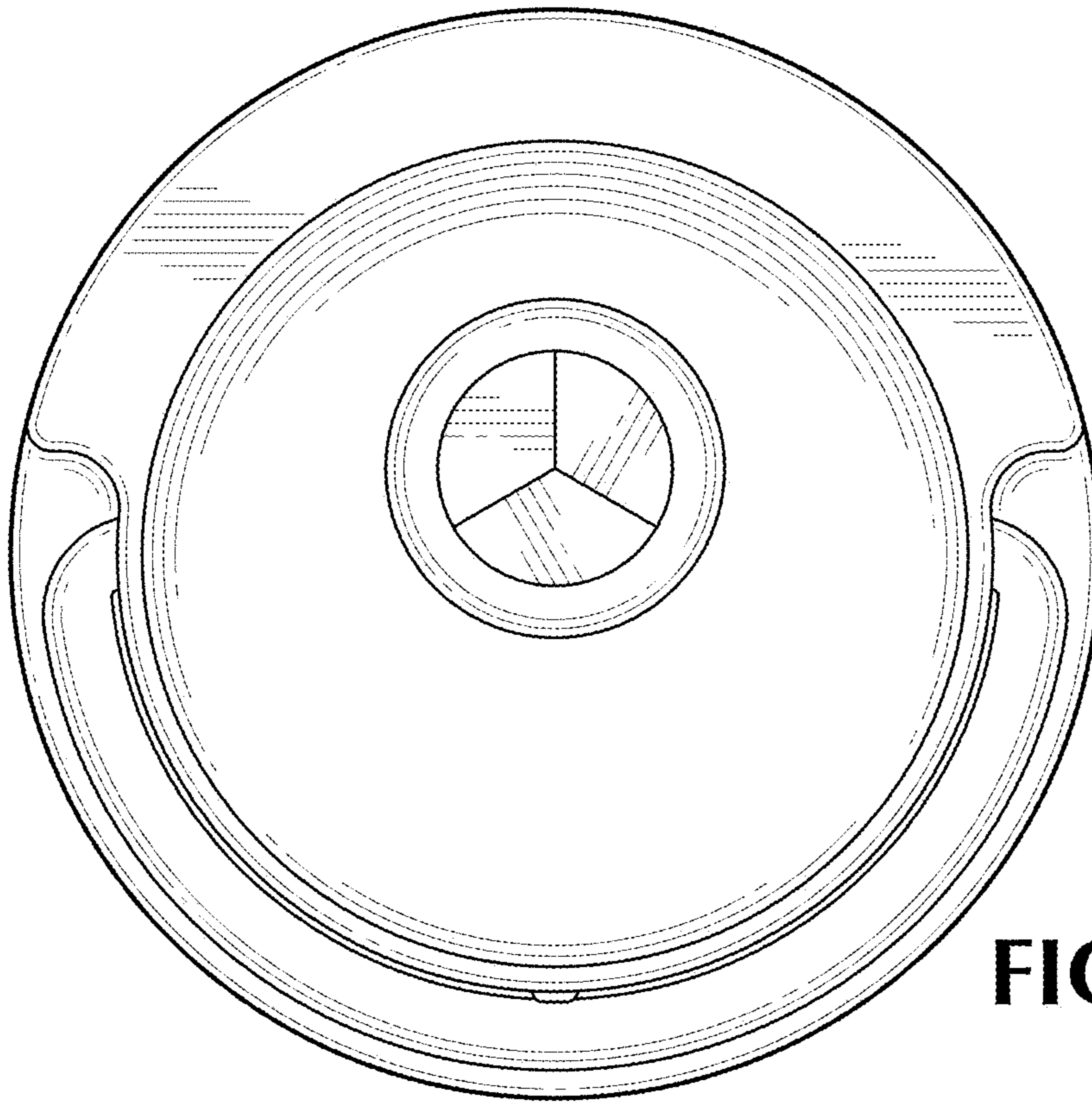


FIG. 7

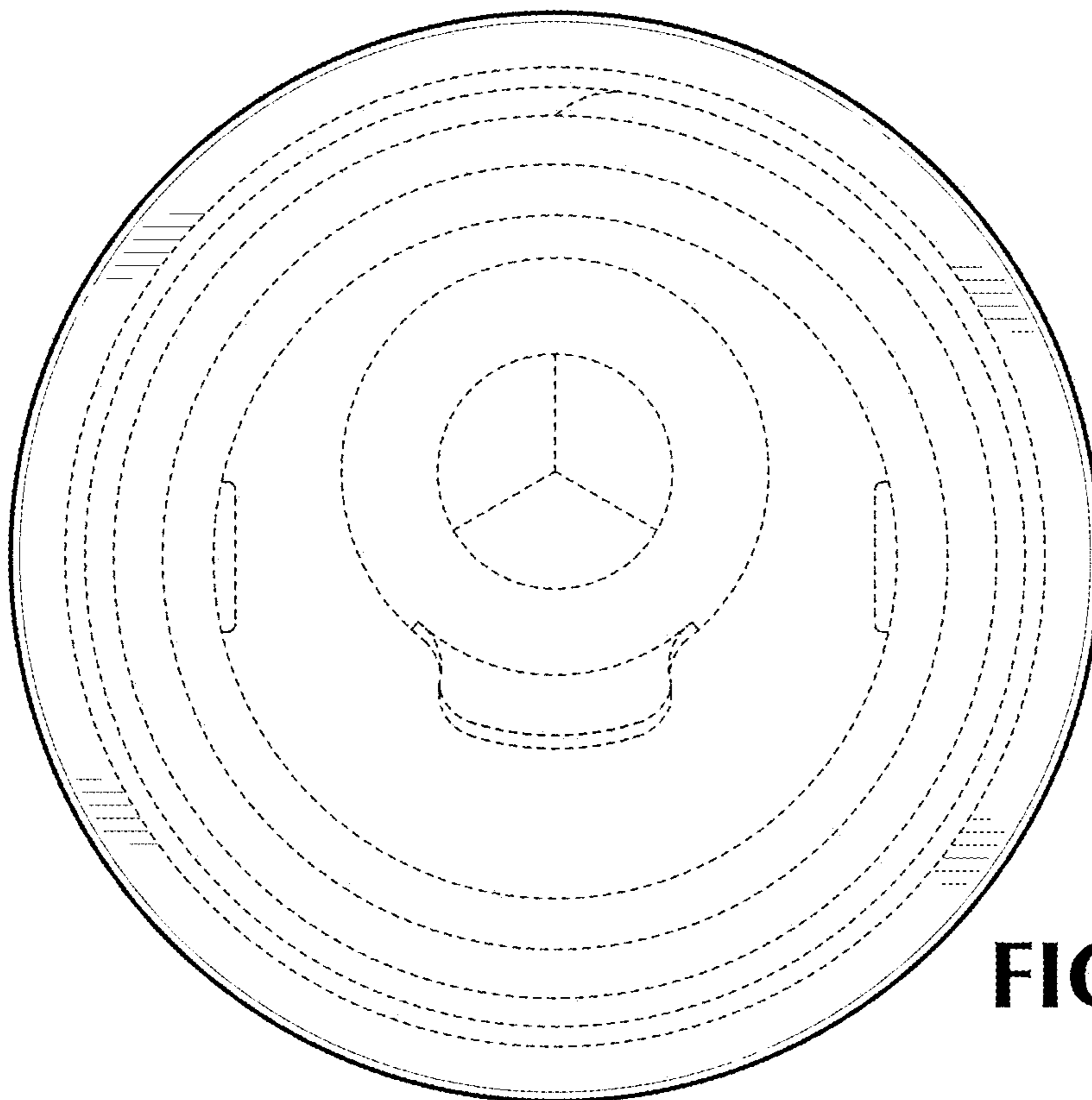


FIG. 8