



US00D883732S

(12) **United States Design Patent**
Marzaro

(10) **Patent No.:** **US D883,732 S**

(45) **Date of Patent:** **** May 12, 2020**

(54) **CRUSHING MACHINE**

(71) Applicant: **SIRMAN S.P.A.**, Campo San Martino
(IT)

(72) Inventor: **Luca Marzaro**, Campo San Martino
(IT)

(73) Assignee: **SIRMAN S.P.A.**, Pieve di Curtarolo PD
(IT)

(**) Term: **15 Years**

(21) Appl. No.: **35/505,079**

(22) Filed: **Jan. 5, 2018**

(80) **Hague Agreement Data**

Int. Filing Date: **Jan. 5, 2018**

Int. Reg. No.: **DM/101251**

Int. Reg. Date: **Jan. 5, 2018**

Int. Reg. Pub. Date: **Jun. 8, 2018**

(51) **LOC (12) Cl.** **31-00**

(52) **U.S. Cl.**
USPC **D7/372**

(58) **Field of Classification Search**
USPC D7/381-385, 414, 412, 372, 376-380,
D7/665

CPC B02C 18/00; B02C 18/30; A22C 17/06;
A22C 9/00; A22C 9/008

See application file for complete search history.

(56) **References Cited**

U.S. PATENT DOCUMENTS

D155,011 S * 8/1949 Karp et al. D7/382
D265,715 S * 8/1982 Osrow D7/376
D283,290 S * 4/1986 Prevot D7/381

D300,799 S * 4/1989 Viancin D7/354
D373,926 S * 9/1996 White D7/381
D427,010 S * 6/2000 Huang D7/381
D564,829 S * 3/2008 Cohen D7/384
D604,094 S * 11/2009 De Pra' D7/372
D853,176 S * 7/2019 Chen D7/381

* cited by examiner

Primary Examiner — Robert M. Spear

(74) *Attorney, Agent, or Firm* — Banner & Witcoff, Ltd.

(57) **CLAIM**

The ornamental design for a crushing machine, as shown and described.

DESCRIPTION

The patent or application file contains at least one drawing executed in color. Copies of this patent or patent application publication with color drawing(s) will be provided by the Office upon request and payment of the necessary fee.

29. Crushing machine

29.1: Front

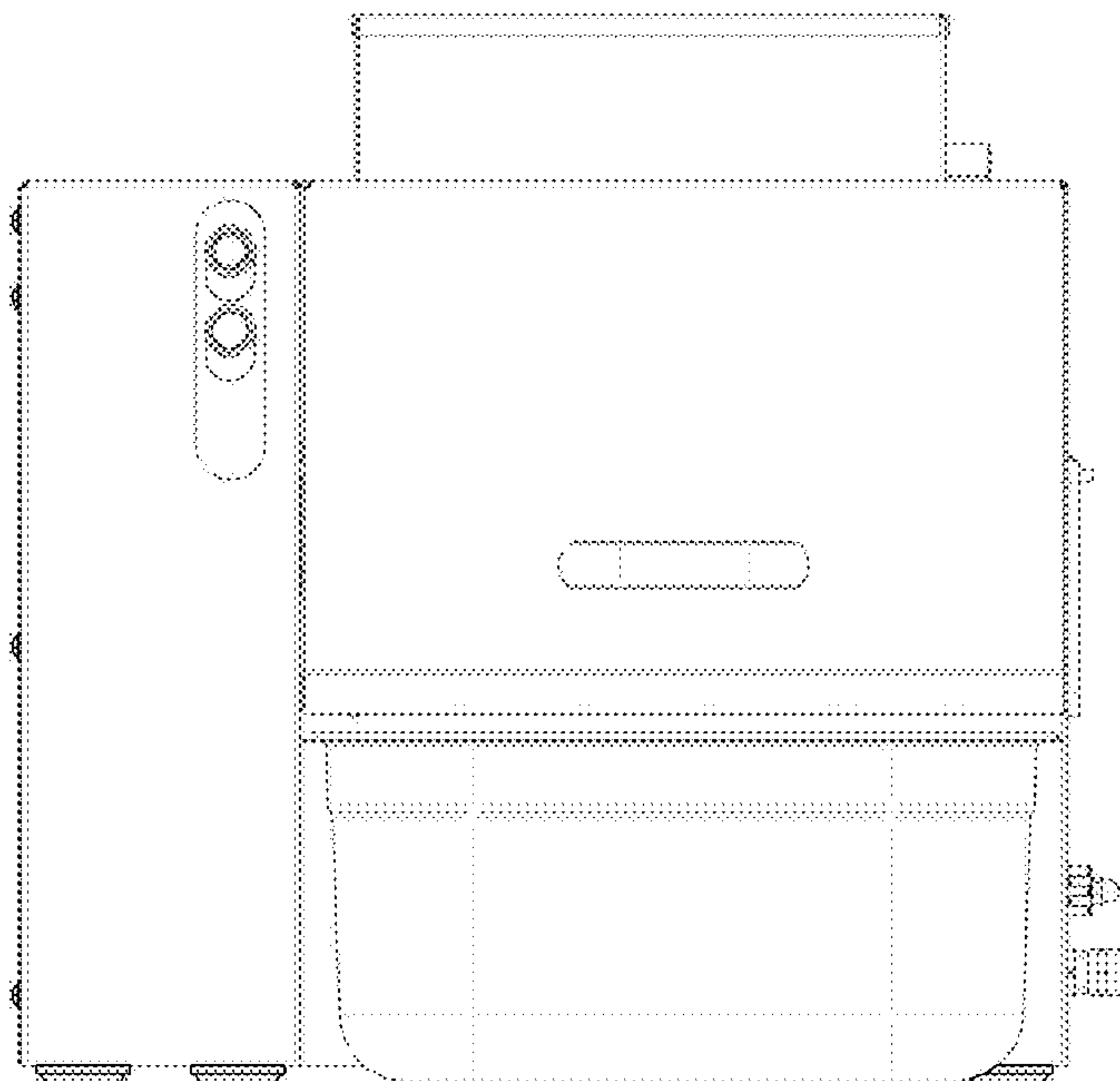
29.2: Right

29.3: Top

The portions of the article highlighted in the yellow color are included for the purpose of illustrating unclaimed portions of the article and form no part of the claimed design.

1 Claim, 3 Drawing Sheets

(3 of 3 Drawing Sheet(s) Filed in Color)



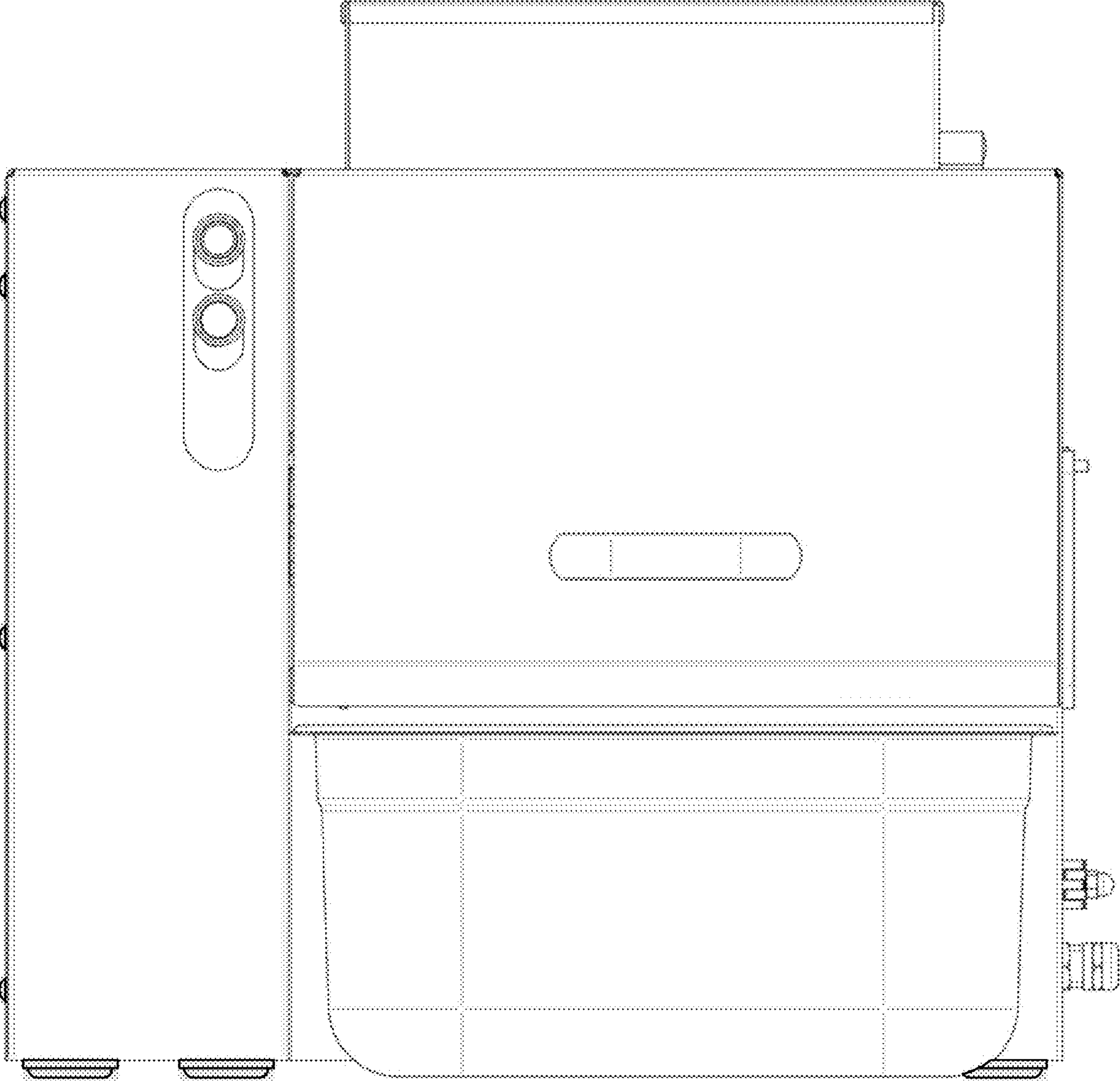


FIG. 29.1

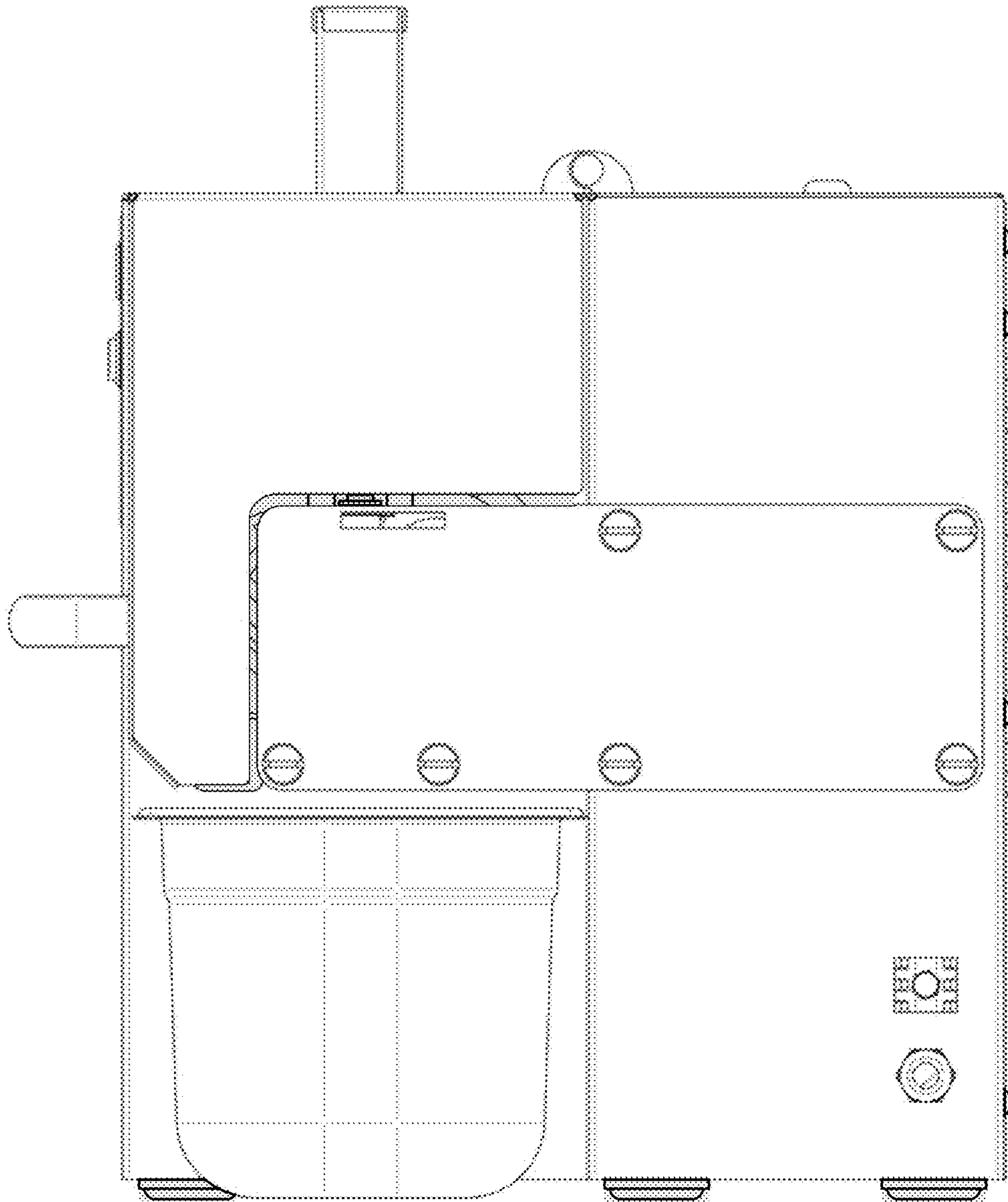


FIG. 29.2

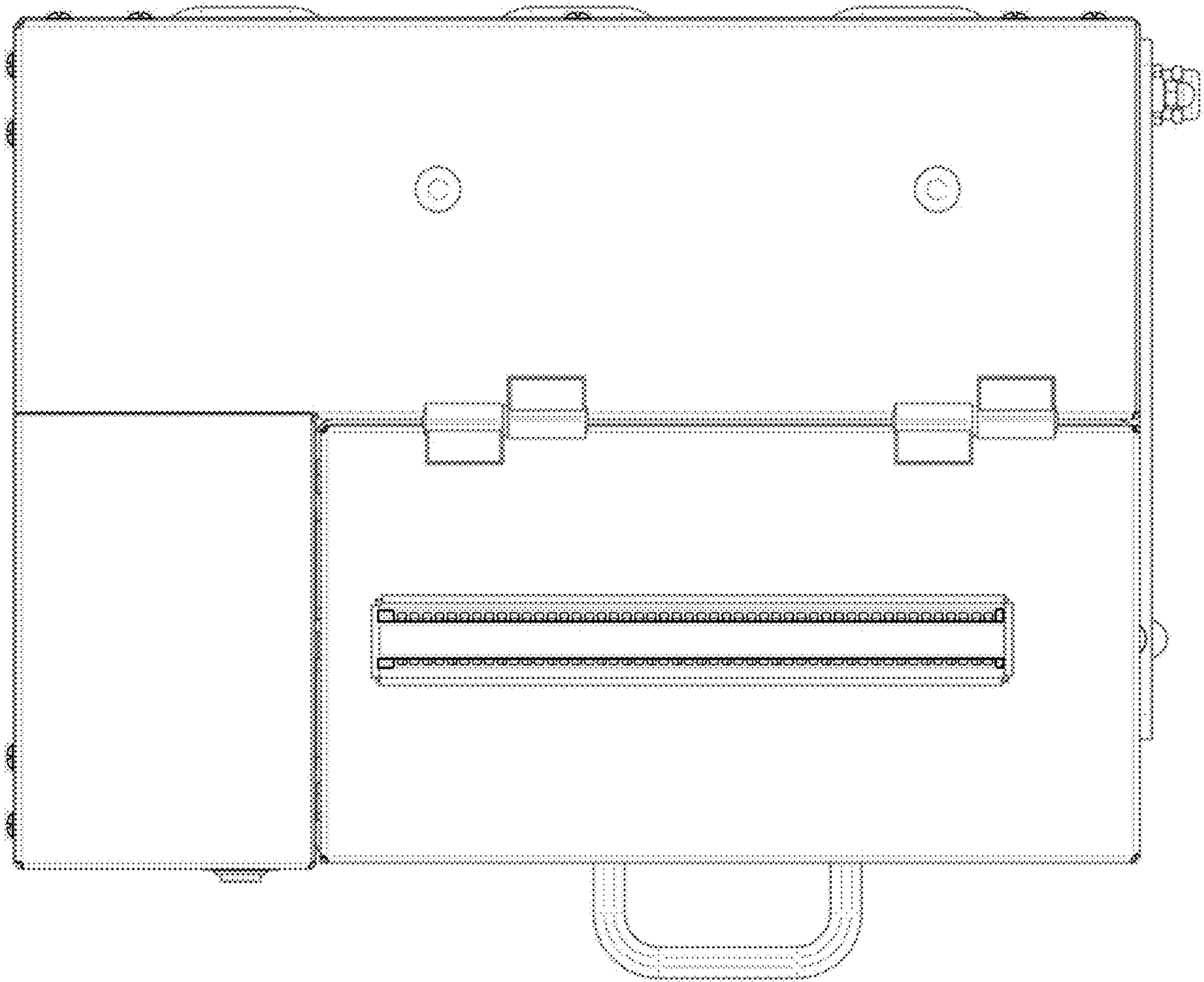


FIG. 29.3

UNITED STATES PATENT AND TRADEMARK OFFICE
CERTIFICATE OF CORRECTION

PATENT NO. : D883,732 S
APPLICATION NO. : 35/505079
DATED : May 12, 2020
INVENTOR(S) : Luca Marzaro

Page 1 of 1

It is certified that error appears in the above-identified patent and that said Letters Patent is hereby corrected as shown below:

On the Title Page

Immediately below Item (22), item (30) Foreign Application Priority Data should be listed as:

- July 13, 2017 (IT) 402017000078504 -

Signed and Sealed this
Twenty-first Day of June, 2022
Katherine Kelly Vidal

Katherine Kelly Vidal
Director of the United States Patent and Trademark Office