



US00D883729S

(12) **United States Design Patent**
Yang et al.

(10) **Patent No.:** **US D883,729 S**
(45) **Date of Patent:** **** May 12, 2020**

(54) **AIR FRYER**

(71) Applicant: **ETEK CITY CORPORATION**,
Anaheim, CA (US)

(72) Inventors: **Lin Yang**, Shenzhen (CN); **Hai Yang**,
Shenzhen (CN)

(**) Term: **15 Years**

(21) Appl. No.: **29/667,955**

(22) Filed: **Oct. 25, 2018**

(51) **LOC (12) Cl.** **07-02**

(52) **U.S. Cl.**
USPC **D7/354; D7/361**

(58) **Field of Classification Search**
USPC D7/323, 354-361
CPC A23L 1/01; A23L 1/0107; A23L 1/0114;
A47J 27/00; A47J 27/08; A47J 27/09;
A47J 27/092; A47J 36/025; A47J 36/06;
A47J 36/08; A47J 36/10; A47J 36/12;
A47J 36/165; A47J 36/18; A47J 36/20;
A47J 36/22; A47J 37/00; A47J 37/04;
A47J 37/12; A47J 37/1204; A47J
37/1209; A47J 37/1214; A47J 37/1219;
A47J 37/1266; A47J 37/1285; A47J
37/129; A47J 37/1295; G07F 17/0064;
G07F 17/0078; G07F 17/0085; H05B
6/02; H05B 6/06; H05B 6/12
See application file for complete search history.

D814,232 S * 4/2018 Barquin D7/354
D816,390 S * 5/2018 Zhang D7/354
D836,381 S * 12/2018 Moon D7/354
D836,383 S * 12/2018 Dutruel D7/354
D839,040 S * 1/2019 Seymour D7/354
D841,388 S * 2/2019 Zhang A47J 37/04
D7/354
D844,369 S * 4/2019 De' Longhi A47J 36/06
D7/354
D848,200 S * 5/2019 Kowalewski A47J 37/00
D7/354
2014/0366746 A1* 12/2014 Tsai A47J 37/00
99/403
2015/0122137 A1* 5/2015 Chang A47J 36/06
99/447
2016/0192808 A1* 7/2016 Van Der Burg A47J 37/04
99/443 C

* cited by examiner

Primary Examiner — Ricky Pham
(74) *Attorney, Agent, or Firm* — Tsz Lung Yeung

(57) **CLAIM**

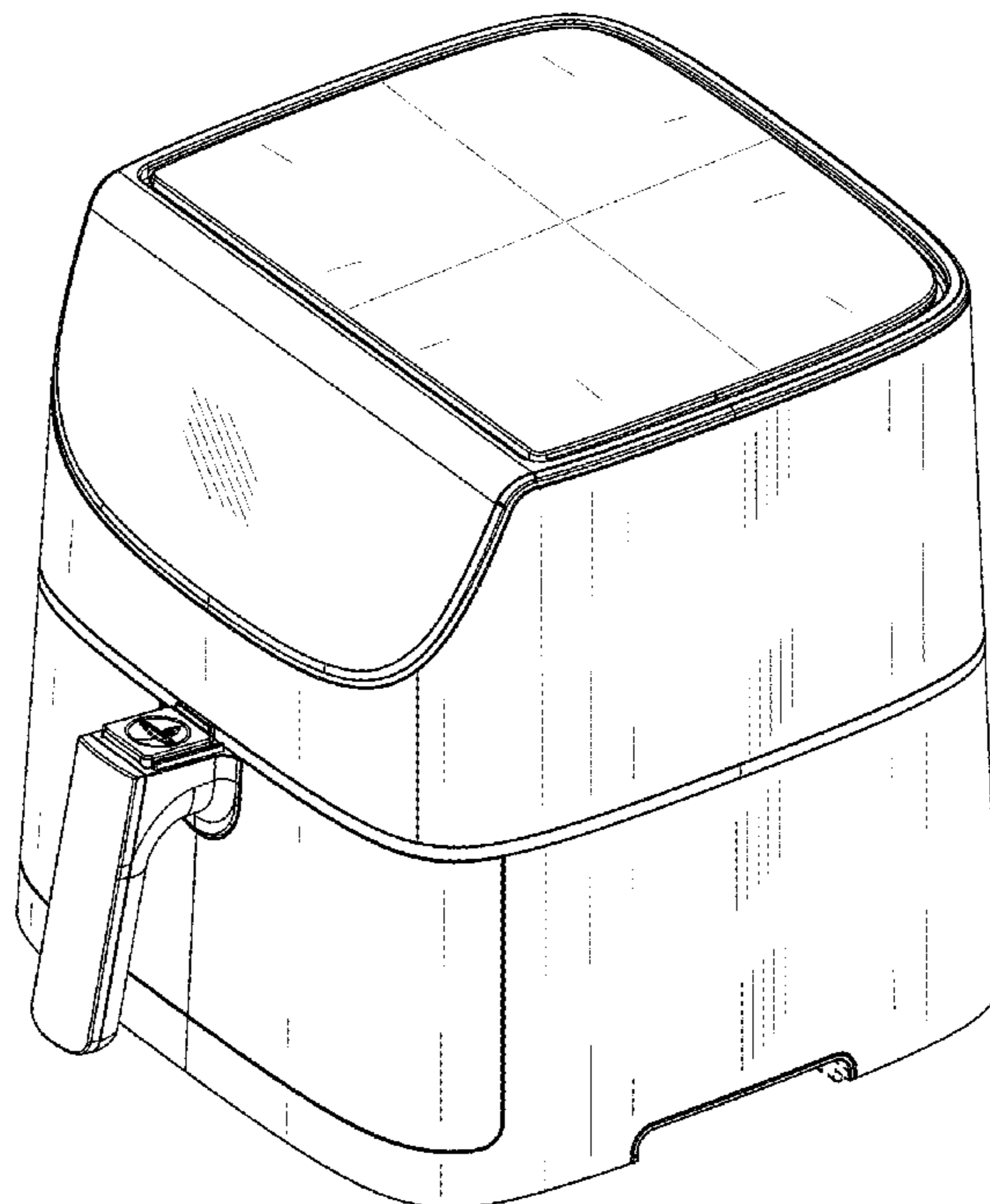
The ornamental design for an air fryer, as shown and described.

DESCRIPTION

FIG. 1 is a perspective view of the air fryer showing our new design;
FIG. 2 is a front view thereof;
FIG. 3 is a rear view thereof;
FIG. 4 is a left end view thereof;
FIG. 5 is a right end view thereof; and,
FIG. 6 is a top view thereof.
The broken lines in the figures illustrate portions of the design that form no part of the claimed design.

1 Claim, 6 Drawing Sheets

(56) **References Cited**
U.S. PATENT DOCUMENTS
D680,801 S * 4/2013 Seymour D7/354
D793,797 S * 8/2017 Krooshof D7/354



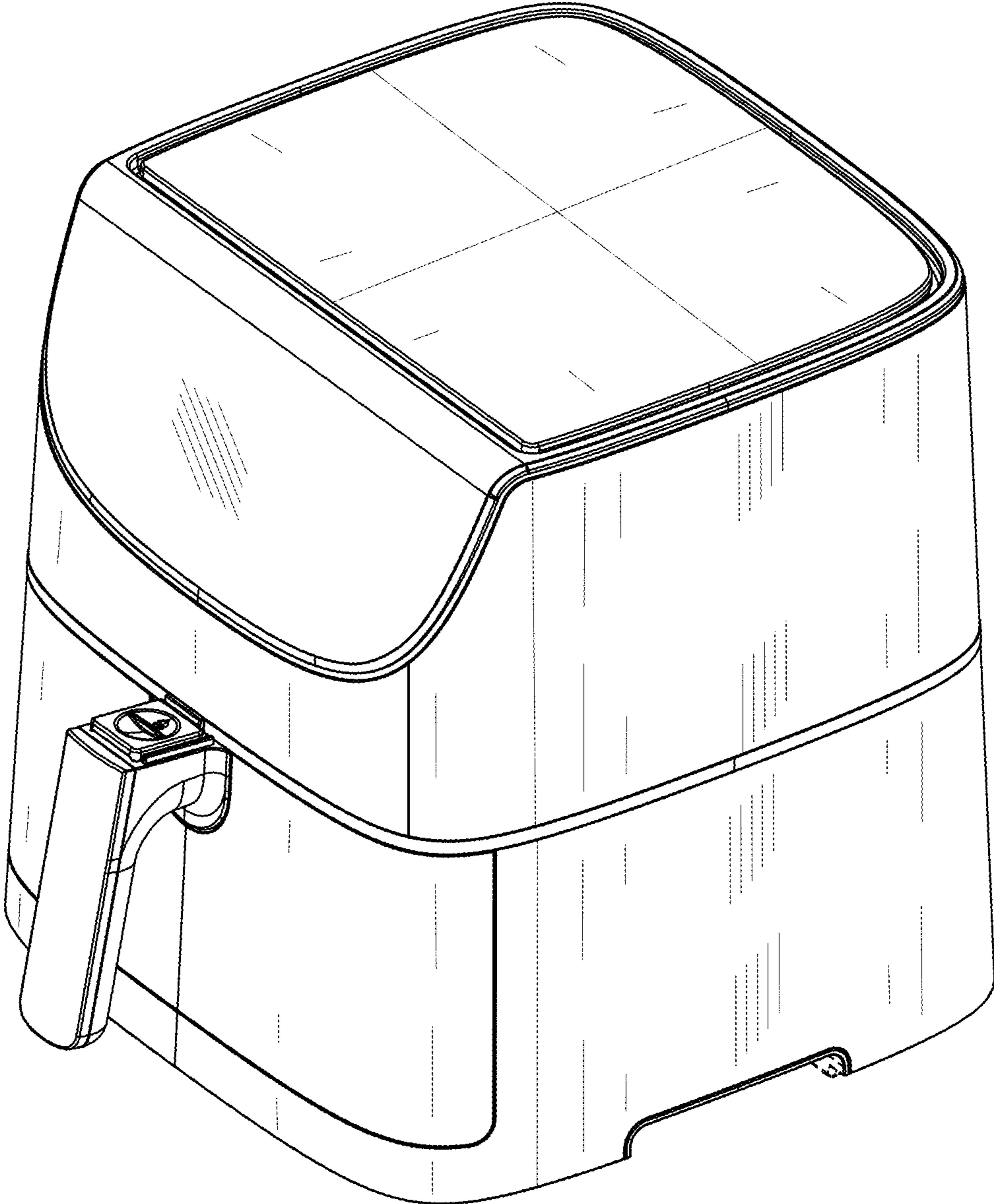


FIG. 1

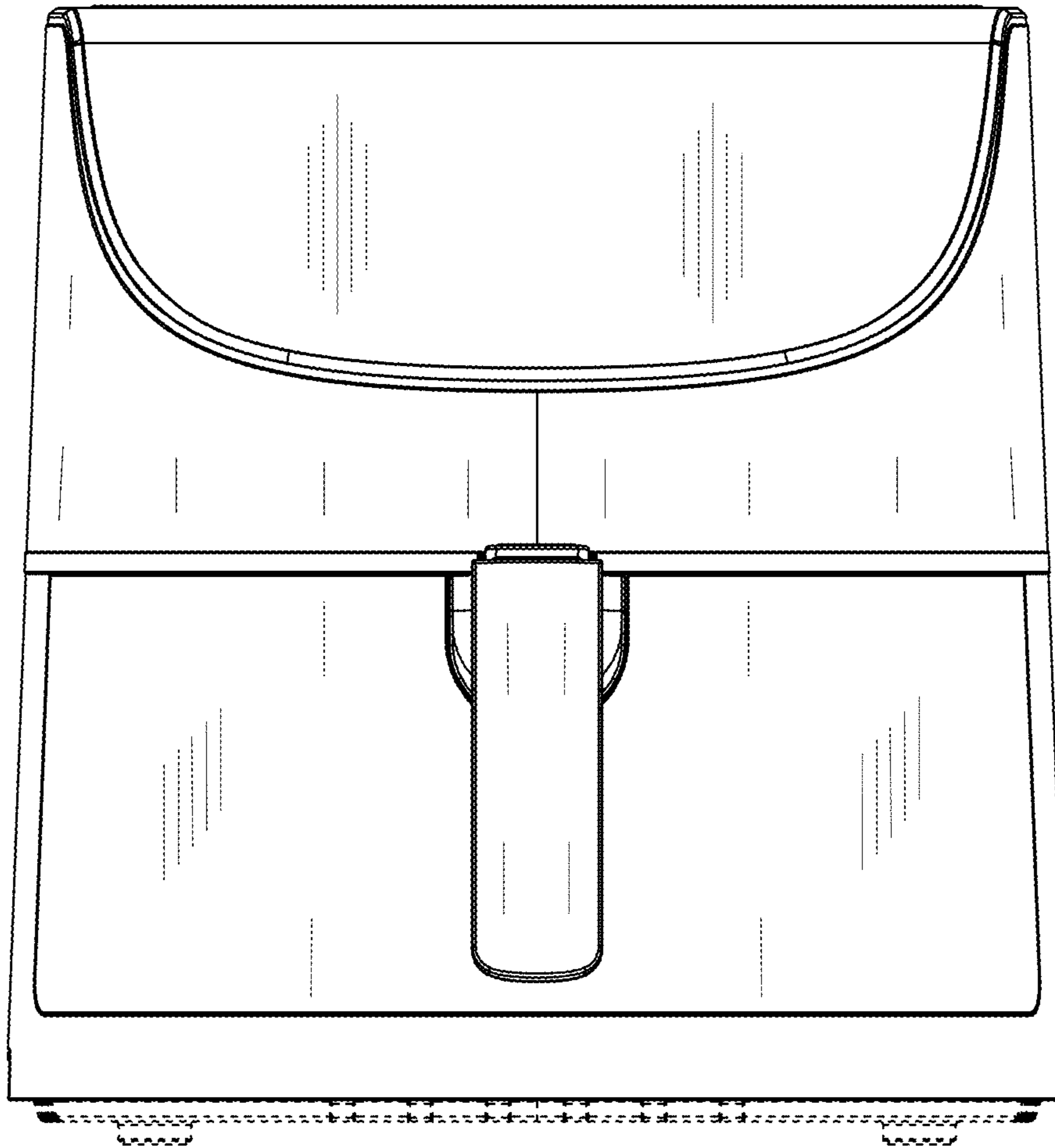


FIG. 2

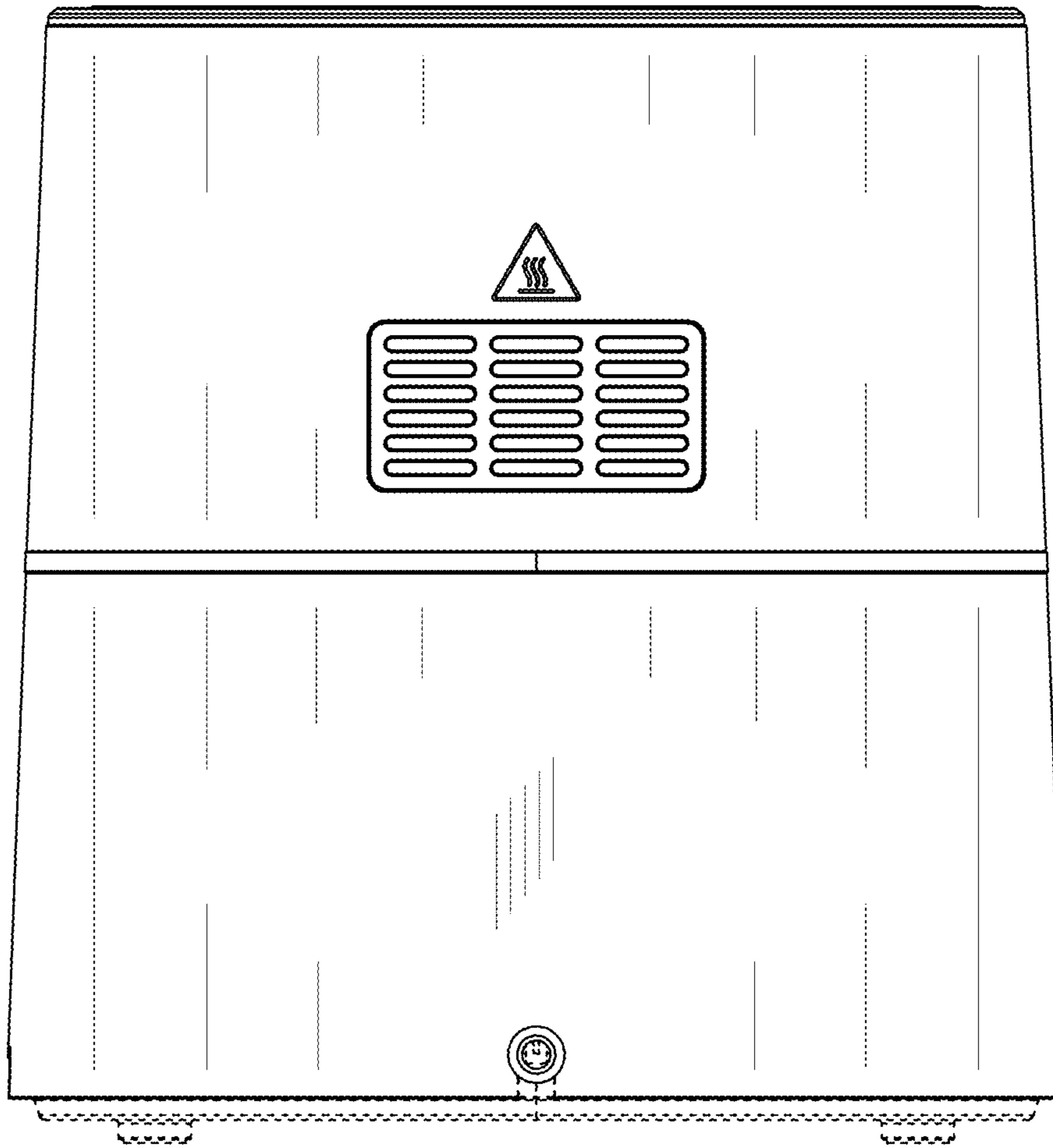


FIG. 3

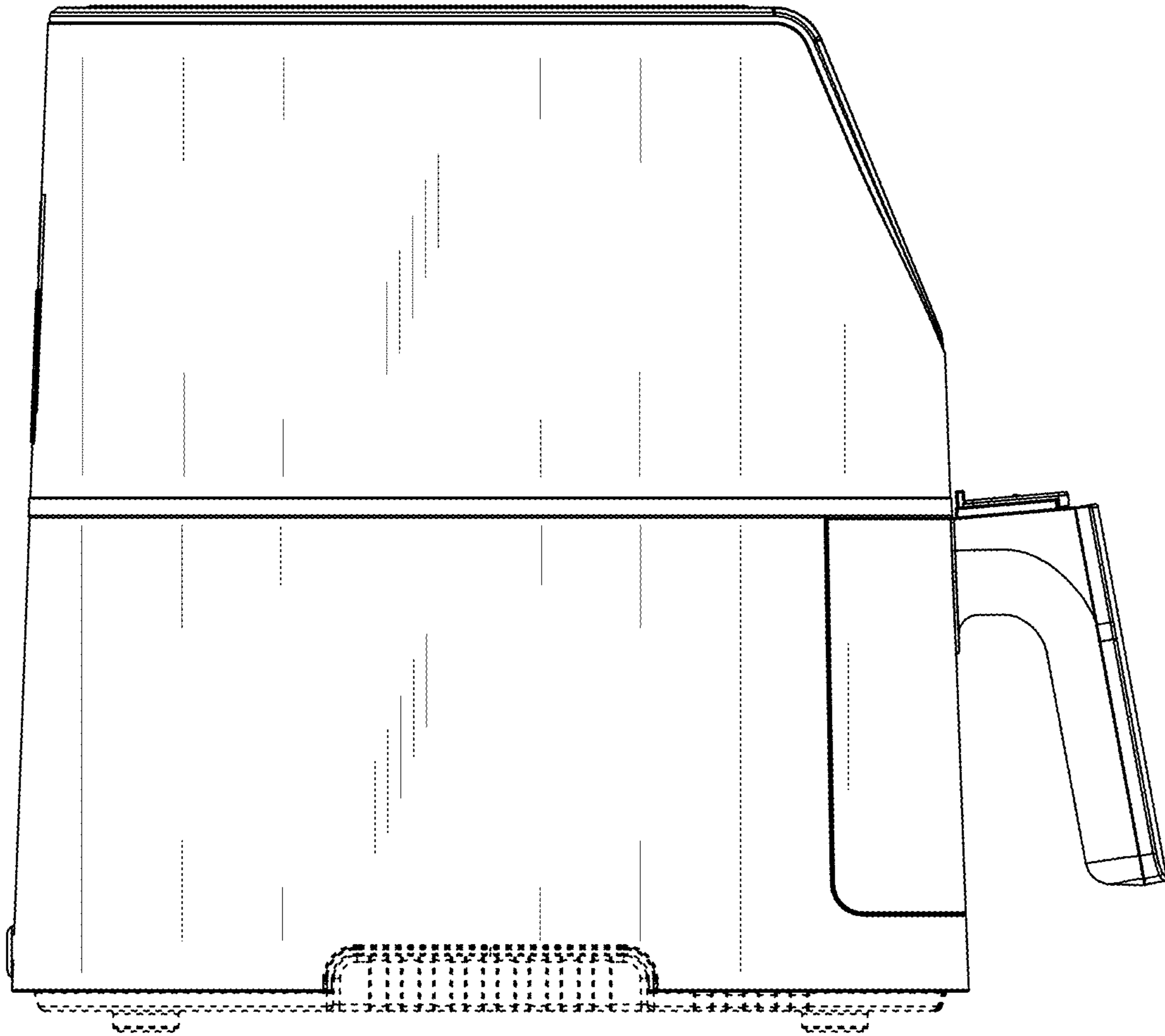


FIG. 4

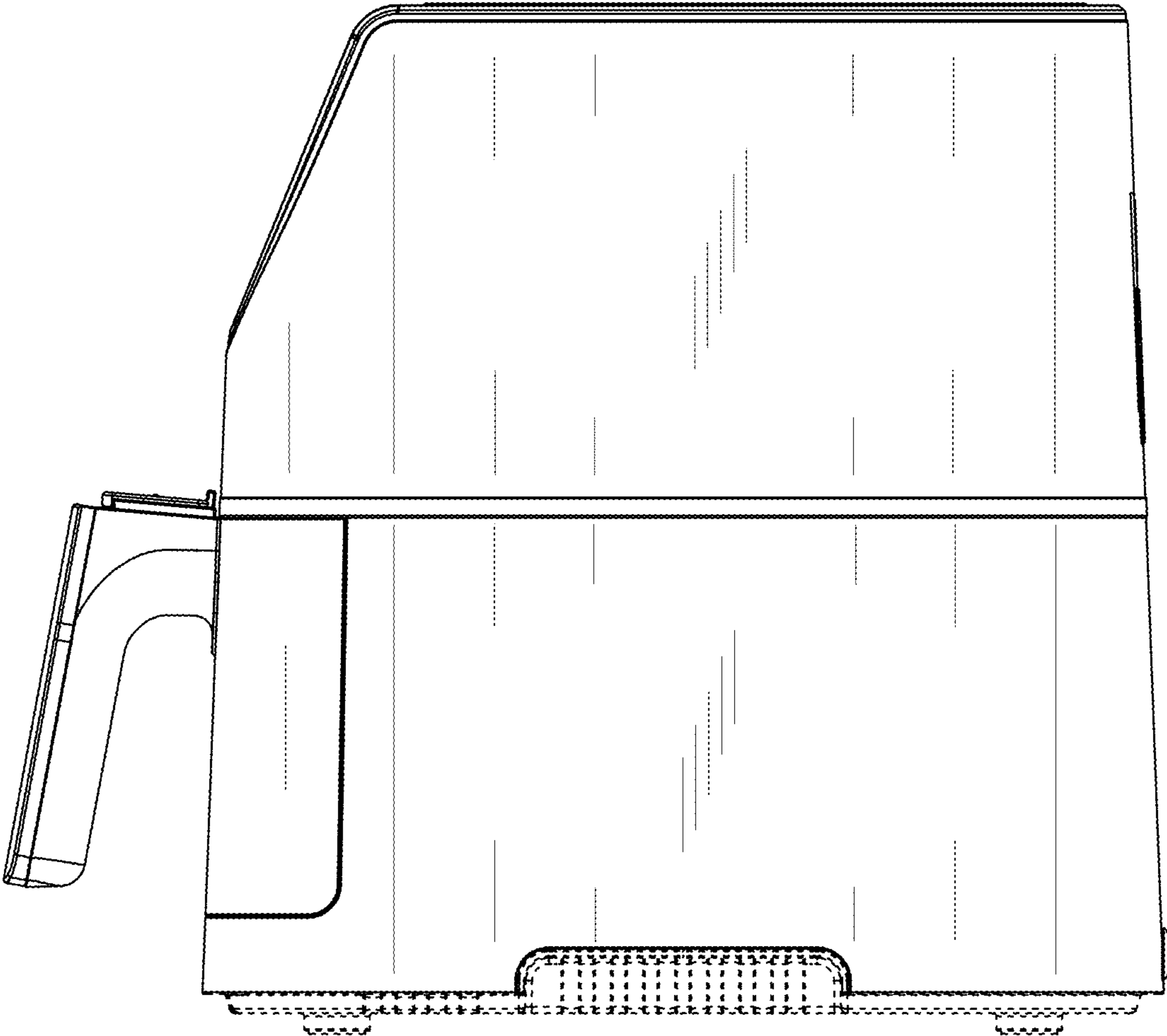


FIG. 5

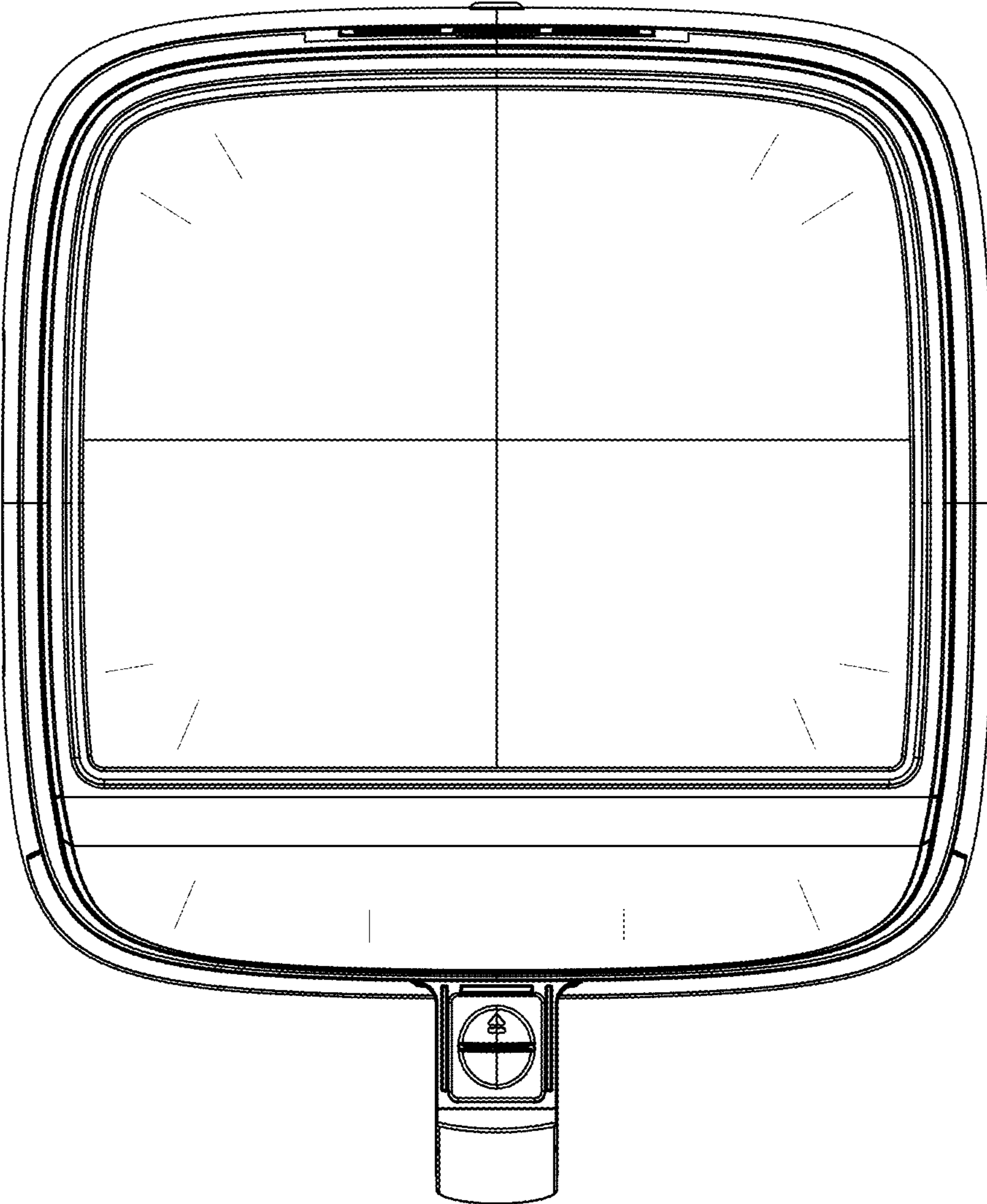


FIG. 6