



US00D883727S

(12) **United States Design Patent**  
**Samartgis**

(10) **Patent No.:** **US D883,727 S**  
(45) **Date of Patent:** **\*\* May 12, 2020**

(54) **JUG**

(71) Applicant: **The Decor Corporation Pty Ltd,**  
Dandenong South, VIC (AU)

(72) Inventor: **Jim Samartgis,** Bulleen (AU)

(73) Assignee: **The Decor Corporation Pty Ltd,**  
Dandenong South, VIC (AU)

(\*\*) Term: **15 Years**

(21) Appl. No.: **29/659,110**

(22) Filed: **Aug. 6, 2018**

(30) **Foreign Application Priority Data**

Feb. 7, 2018 (AU) ..... 201810727  
Feb. 7, 2018 (AU) ..... 201812440

(Continued)

(51) **LOC (12) Cl.** ..... **07-01**

(52) **U.S. Cl.**  
USPC ..... **D7/317; D7/319**

(58) **Field of Classification Search**  
USPC ..... D7/598, 312, 317, 316, 318, 319, 300;  
D11/153, 146

(Continued)

(56) **References Cited**

**U.S. PATENT DOCUMENTS**

3,844,450 A \* 10/1974 Johnson ..... A47J 41/0016  
222/183  
D263,105 S \* 2/1982 Okazaki ..... D7/319

(Continued)

*Primary Examiner* — Marianne N Pandozzi

(74) *Attorney, Agent, or Firm* — Stevens & Showalter  
LLP

(57) **CLAIM**

The ornamental design for a jug, as shown and described.

**DESCRIPTION**

FIG. 1 is an exploded top front perspective view of a jug showing my new design;

FIG. 2 is an exploded bottom rear perspective view thereof;  
FIG. 3 is an exploded front view thereof;  
FIG. 4 is an exploded rear view thereof;  
FIG. 5 is an exploded right side view thereof;  
FIG. 6 is an exploded left side view thereof;  
FIG. 7 is a top front perspective view of the jug with the lid removed to see the inside infuser/filter;  
FIG. 8 is a top front perspective view of the jug with the lid and infuser/filter removed to see the inside;  
FIG. 9 is a top front perspective view of the jug;  
FIG. 10 is a bottom rear perspective view thereof;  
FIG. 11 is a front view thereof;  
FIG. 12 is a rear view thereof;  
FIG. 13 is a right side view thereof;  
FIG. 14 is a left side view thereof;  
FIG. 15 is a top plan view thereof;  
FIG. 16 is a bottom plan view thereof;  
FIG. 17 is a top front perspective view of the jug with the lid, infuser/filter, and side clips removed to see the side and inside;  
FIG. 18 is a bottom rear perspective view thereof;  
FIG. 19 is a front view thereof;  
FIG. 20 is a rear view thereof;  
FIG. 21 is a right side view thereof;  
FIG. 22 is a left side view thereof;  
FIG. 23 is a top plan view thereof;  
FIG. 24 is a bottom plan view thereof;  
FIG. 25 is a top front perspective view of the lid of the jug with the rest of the parts removed to more clearly show details;  
FIG. 26 is a bottom rear perspective view thereof;  
FIG. 27 is a front view thereof;  
FIG. 28 is a rear view thereof;  
FIG. 29 is a right side view thereof;  
FIG. 30 is a left side view thereof;  
FIG. 31 is a top plan view thereof;  
FIG. 32 is a bottom plan view thereof;  
FIG. 33 is a top front perspective view of the infuser/filter portion of the jug with the rest of the parts removed to more clearly show details;  
FIG. 34 is a bottom rear perspective view thereof;  
FIG. 35 is a front perspective view thereof;  
FIG. 36 is a rear perspective view thereof;  
FIG. 37 is a right side view thereof;  
FIG. 38 is a left side view thereof;

(Continued)

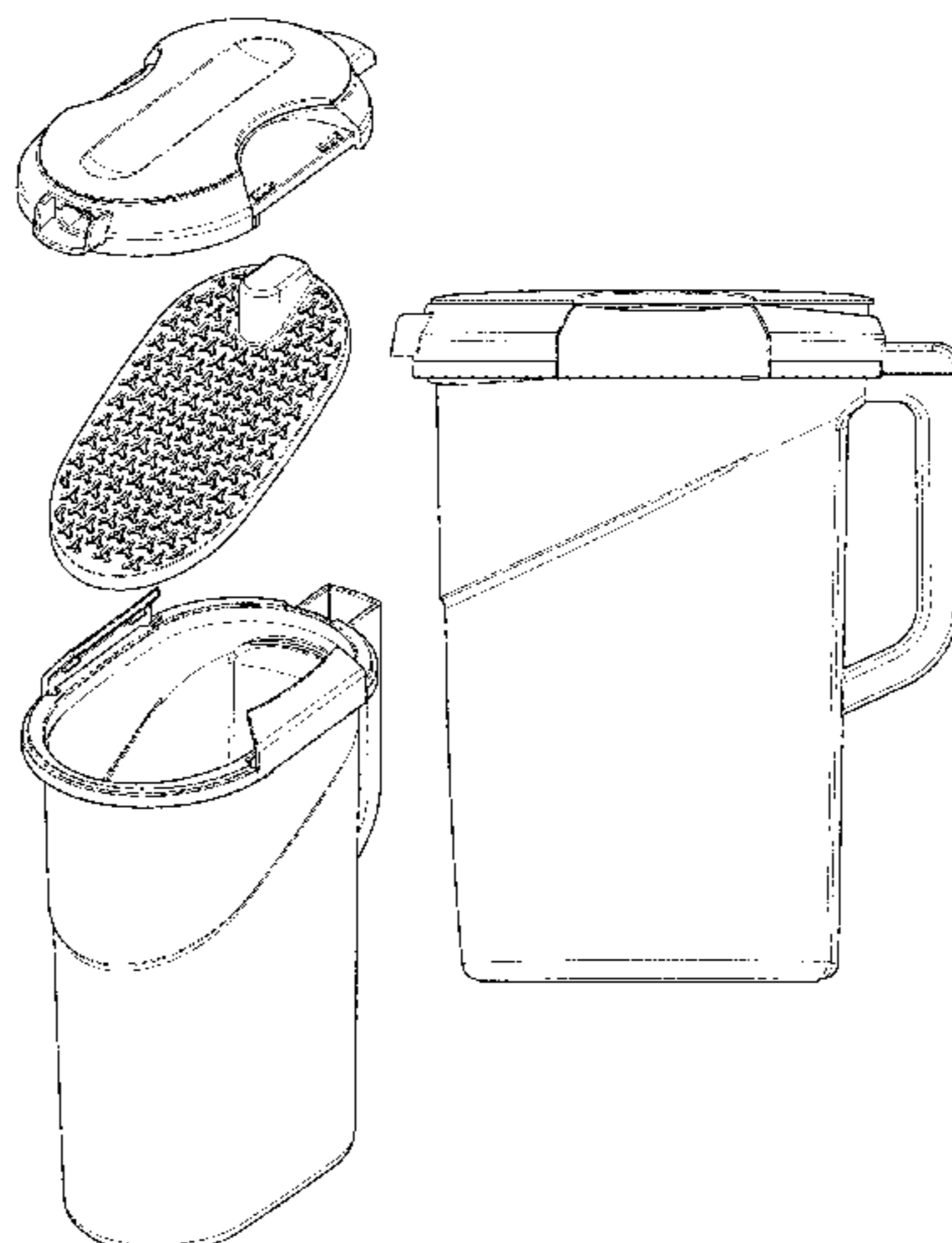


FIG. 39 is a top plan view thereof; and,  
 FIG. 40 is a bottom plan view thereof.  
 The broken lines in the drawings depict portions of the jug  
 that form no part of the claimed design.

**1 Claim, 40 Drawing Sheets**

**(30) Foreign Application Priority Data**

Feb. 7, 2018 (AU) ..... 201812441  
 Feb. 7, 2018 (AU) ..... 201812442

**(58) Field of Classification Search**

CPC ..... A47G 19/22; A47G 19/16; A47G 19/12;  
 A47J 41/0094

See application file for complete search history.

**(56) References Cited**

U.S. PATENT DOCUMENTS  
 D264,926 S \* 6/1982 McClelland ..... D7/317

D283,584 S \* 4/1986 Morin ..... D7/317  
 4,623,457 A \* 11/1986 Hankammer ..... C02F 1/003  
 210/237  
 4,655,373 A \* 4/1987 Essen ..... A47G 19/12  
 220/835  
 4,750,644 A \* 6/1988 Kolody ..... A47G 19/12  
 222/144.5  
 D312,745 S \* 12/1990 Daenen ..... D7/317  
 D338,591 S \* 8/1993 Wyatt ..... D7/316  
 D351,757 S \* 10/1994 Esslinger ..... D7/316  
 D435,995 S \* 1/2001 Mano ..... D7/317  
 D493,662 S \* 8/2004 Bodum ..... D7/317  
 D501,624 S \* 2/2005 Kaposi ..... D7/317  
 D542,077 S \* 5/2007 Claypool ..... D7/312  
 D550,020 S \* 9/2007 Pettaweebuncha ..... D7/317  
 D560,951 S \* 2/2008 Appleton ..... D7/317  
 D584,912 S \* 1/2009 Green ..... D7/317  
 D604,088 S \* 11/2009 Bursztein ..... D7/317  
 D683,175 S \* 5/2013 Adams ..... D7/312

\* cited by examiner

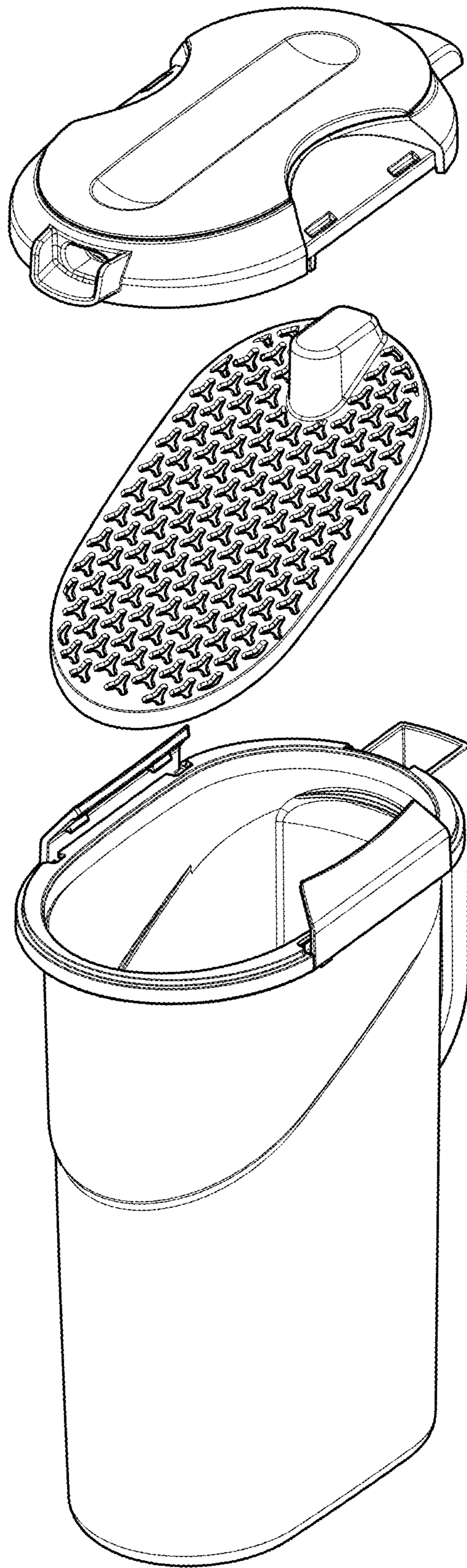


FIG. 1



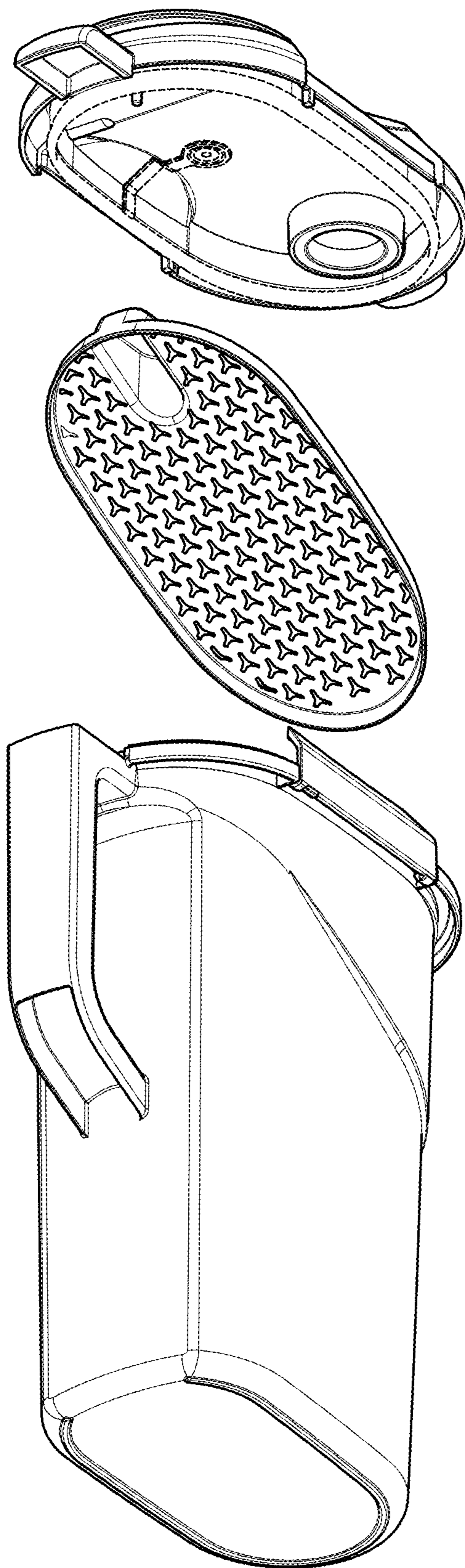


FIG. 2

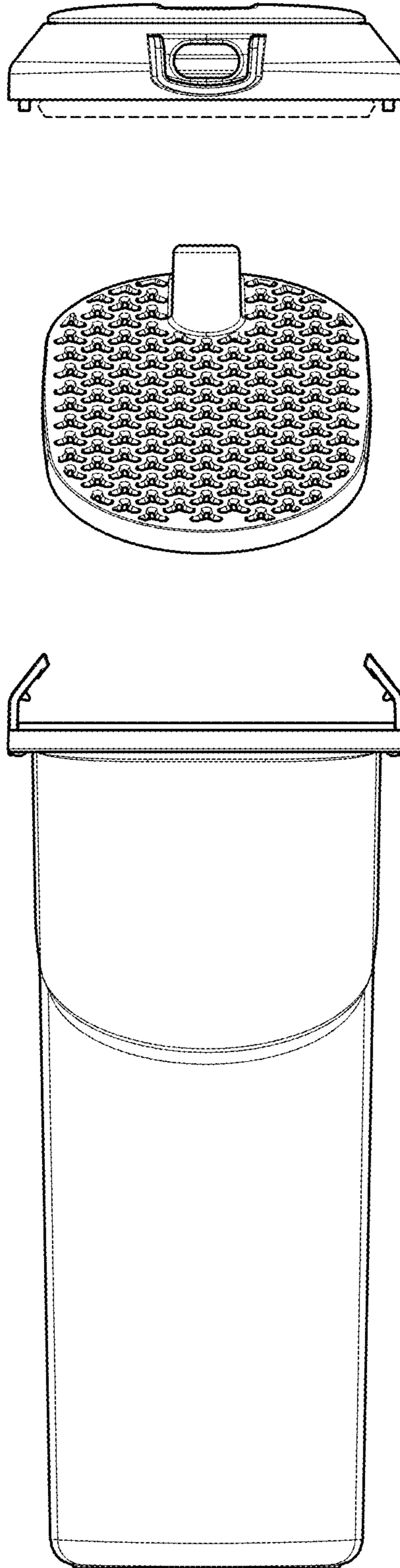


FIG. 3

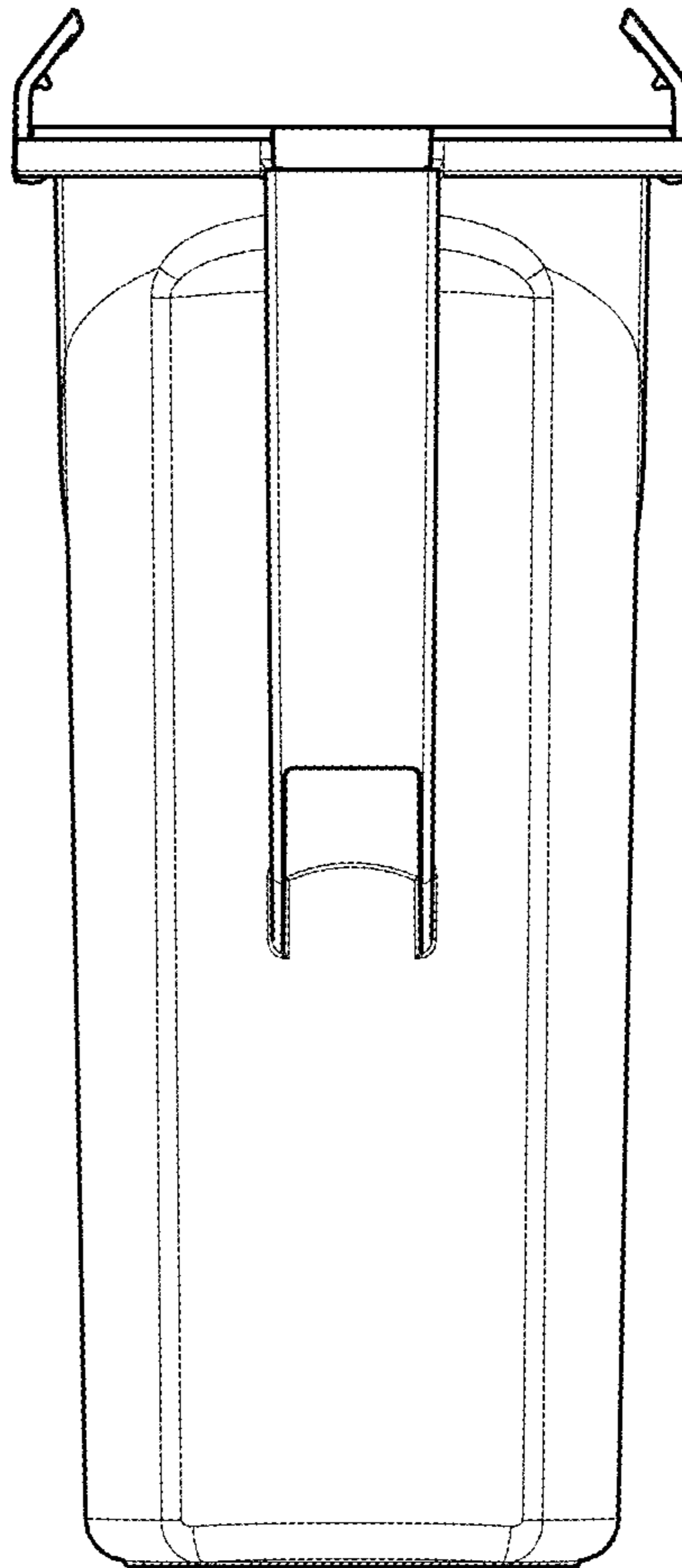
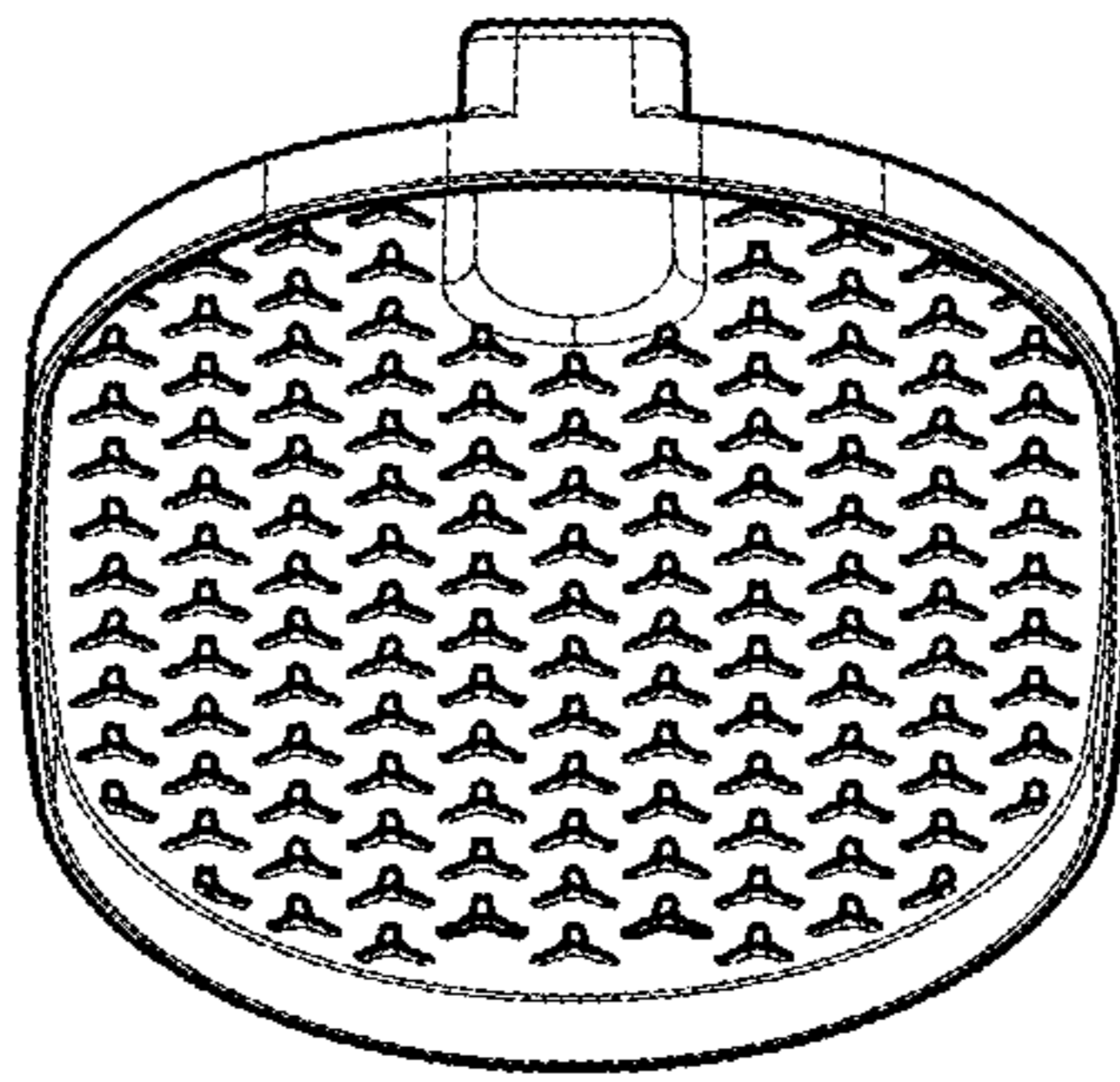
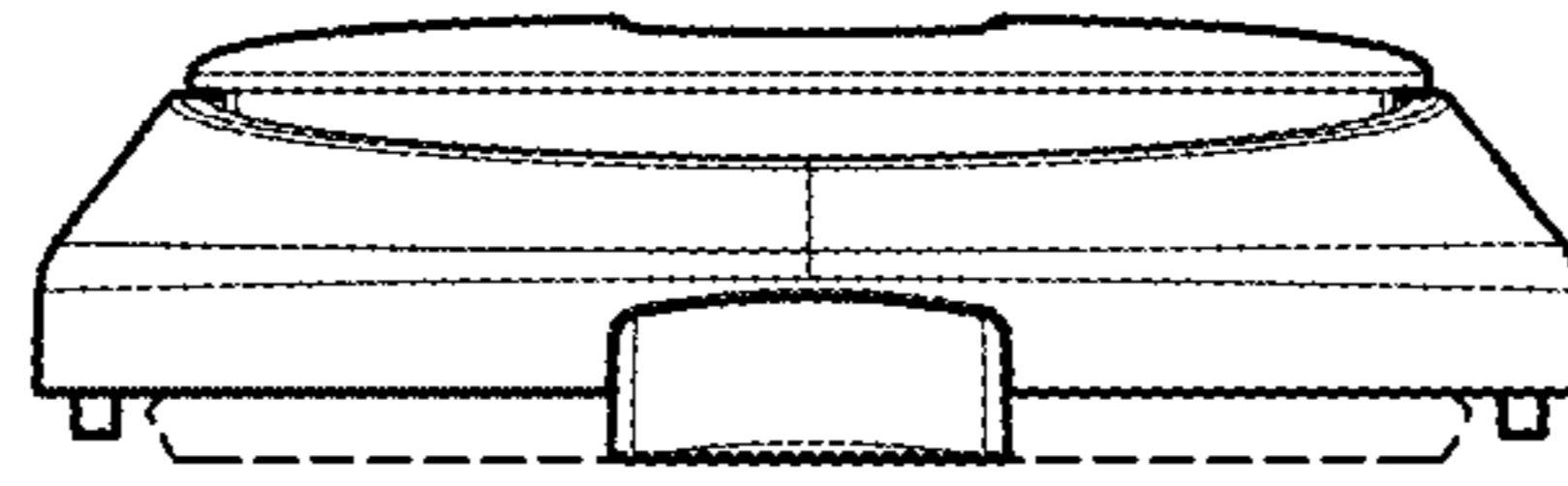


FIG. 4

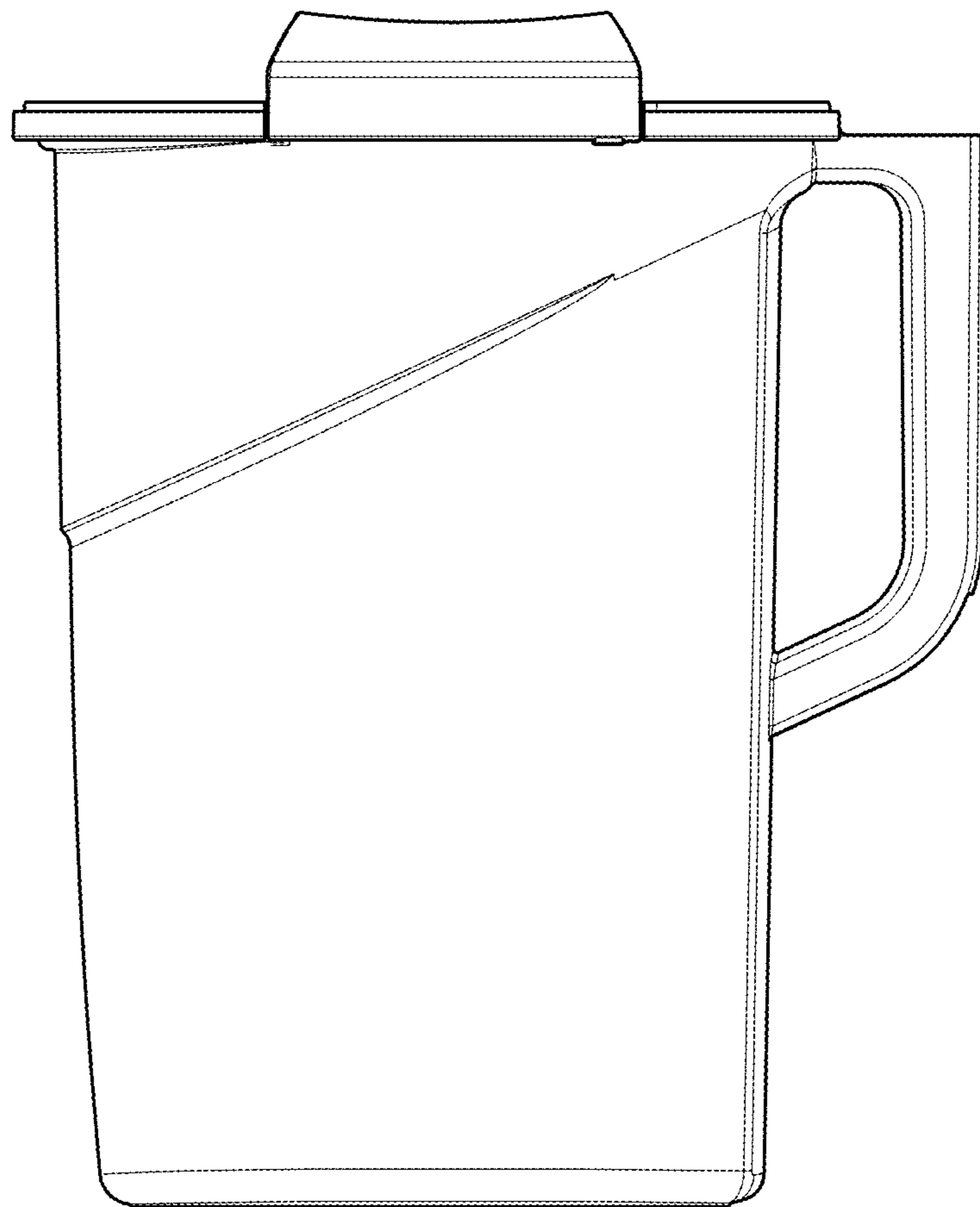
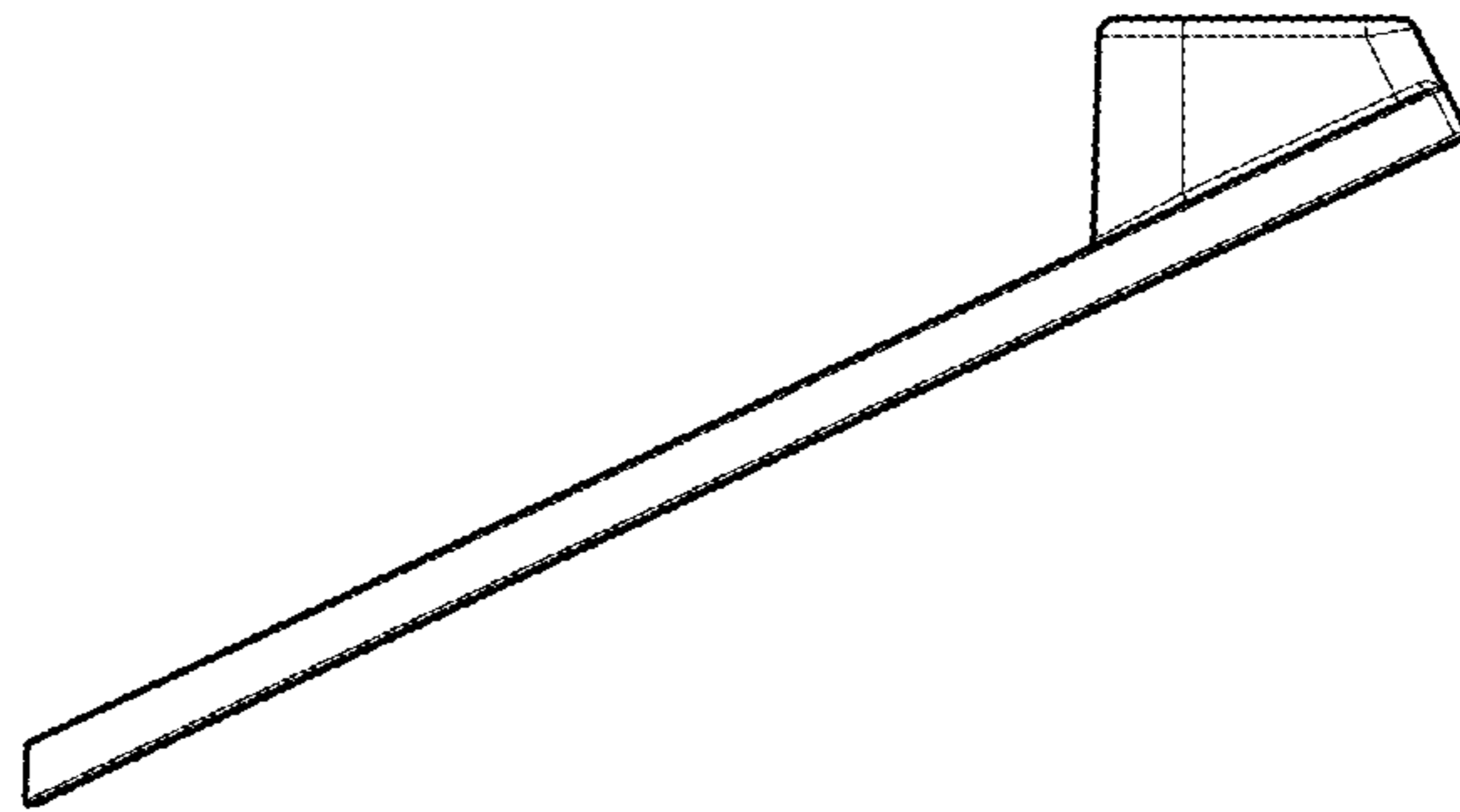
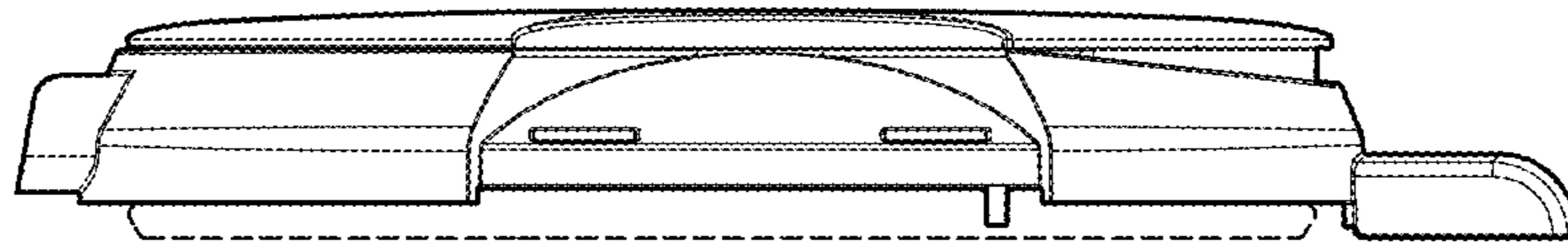


FIG. 5

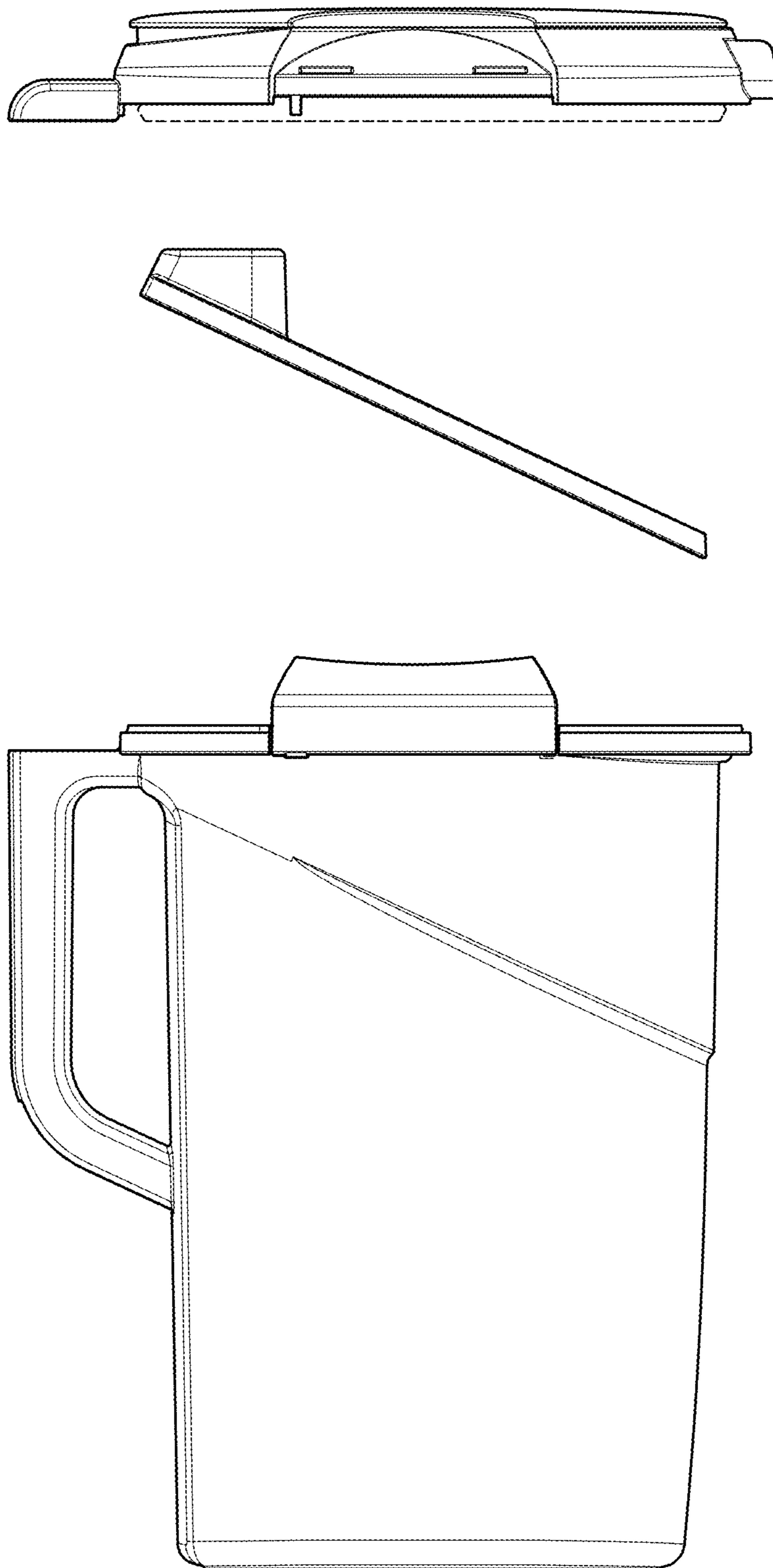


FIG. 6



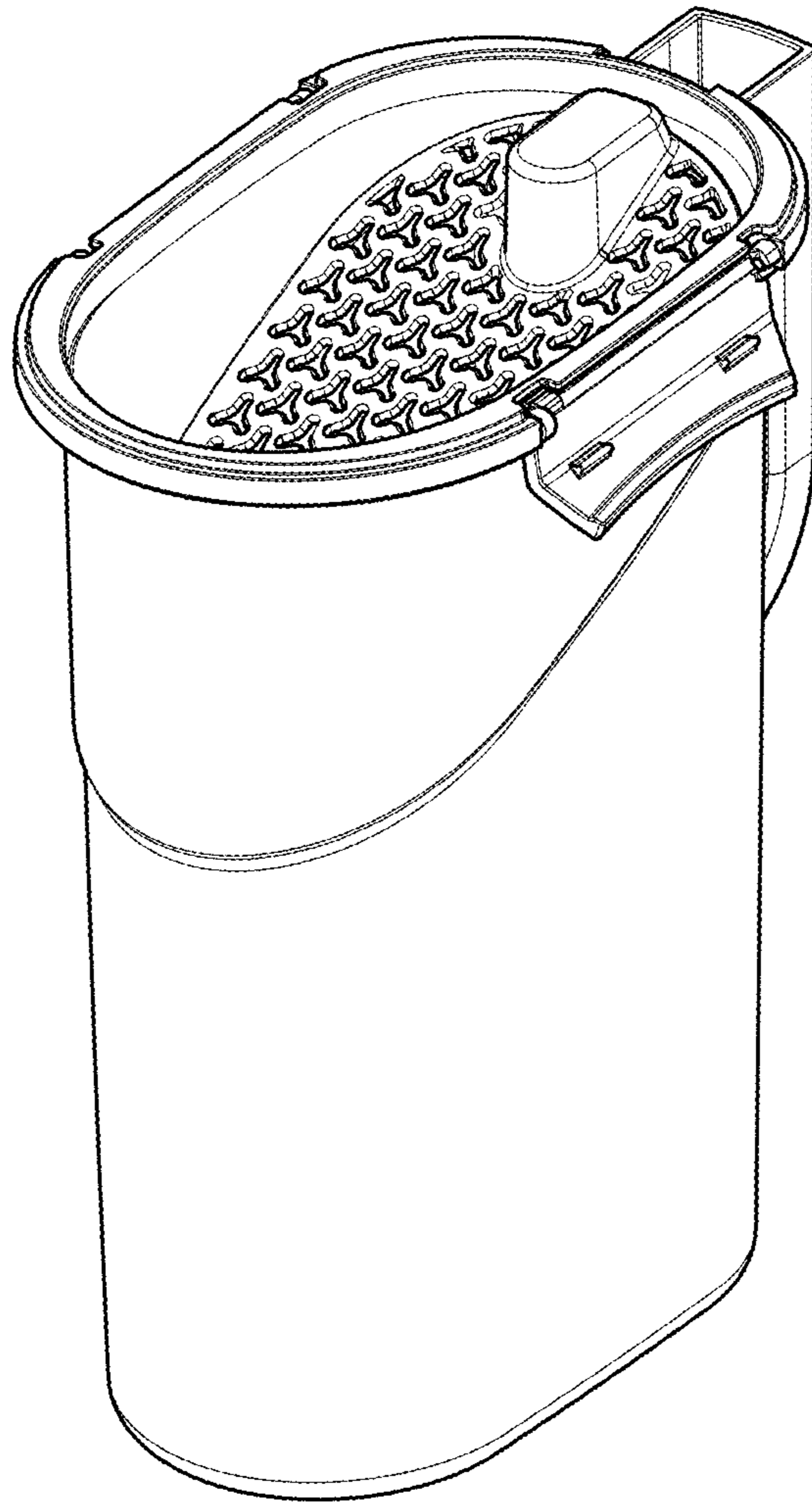


FIG. 7

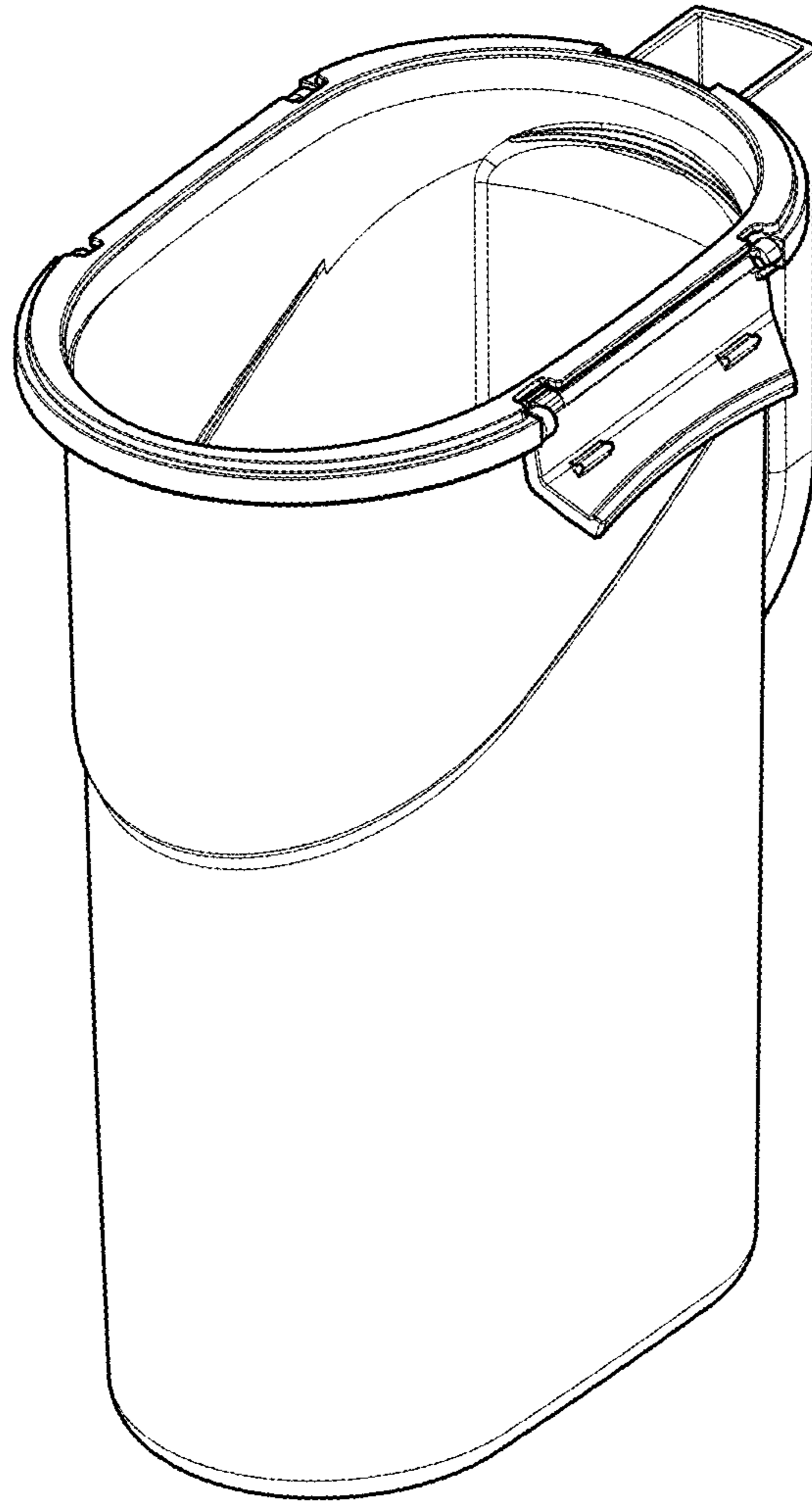


FIG. 8

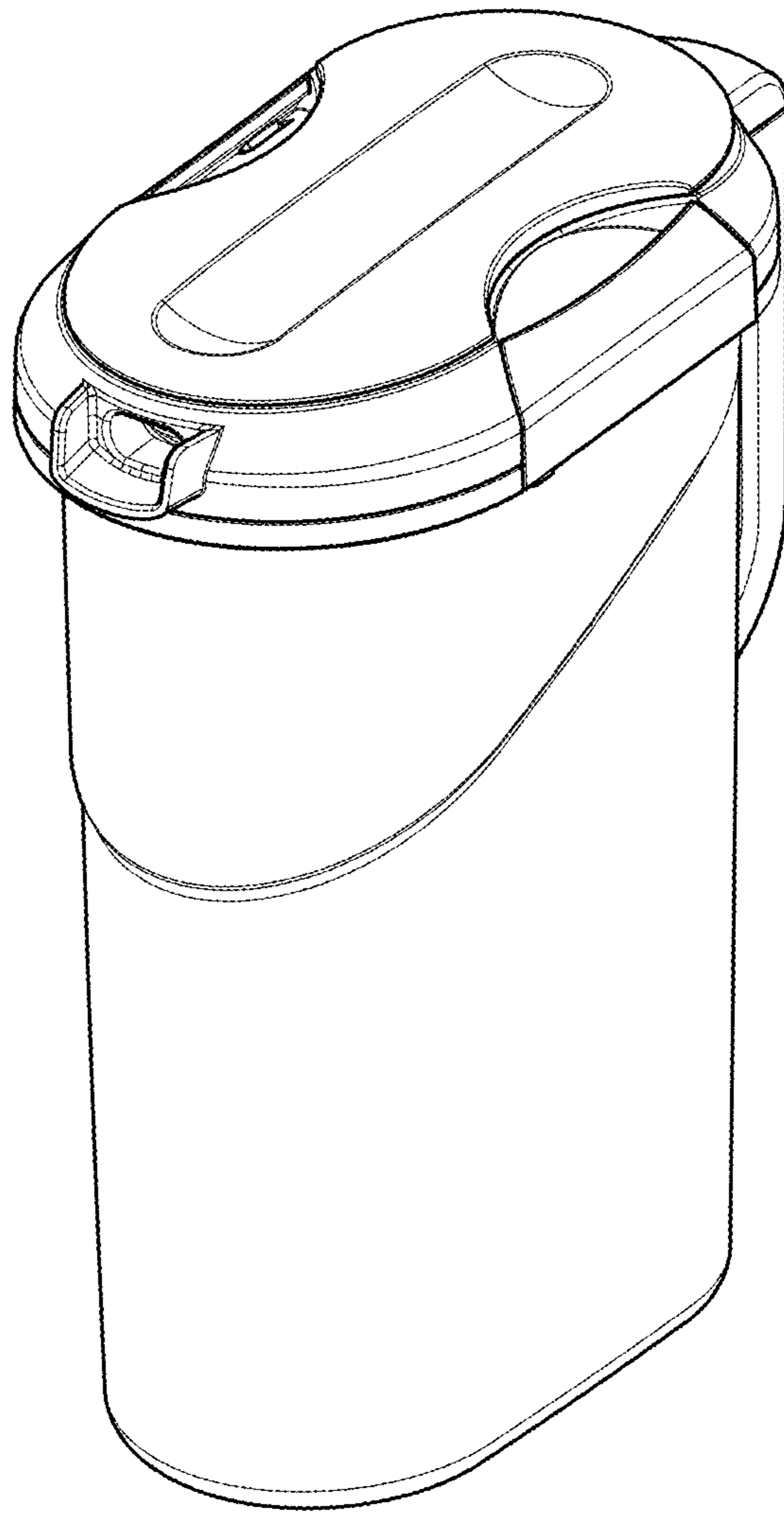


FIG. 9

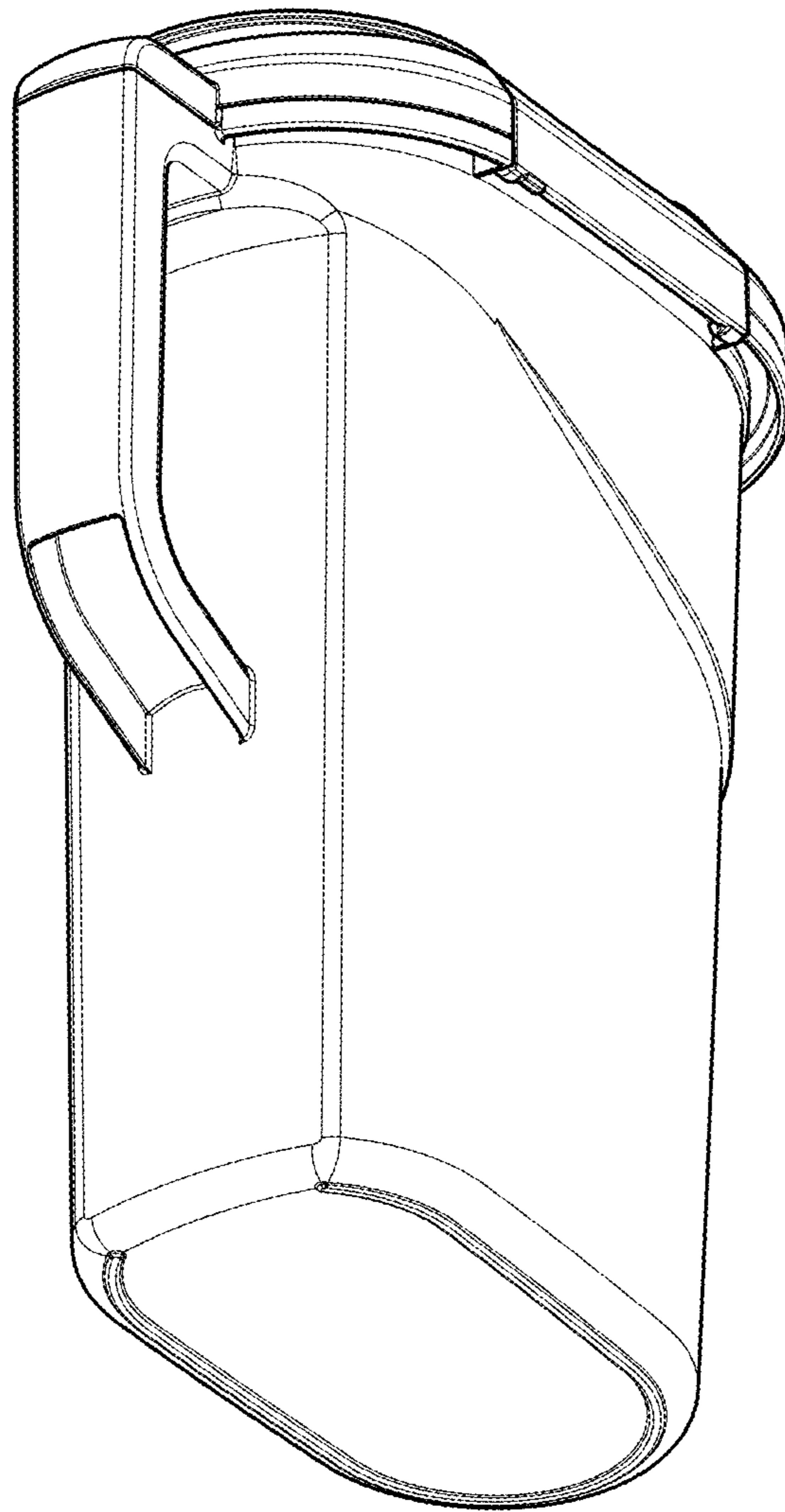


FIG. 10



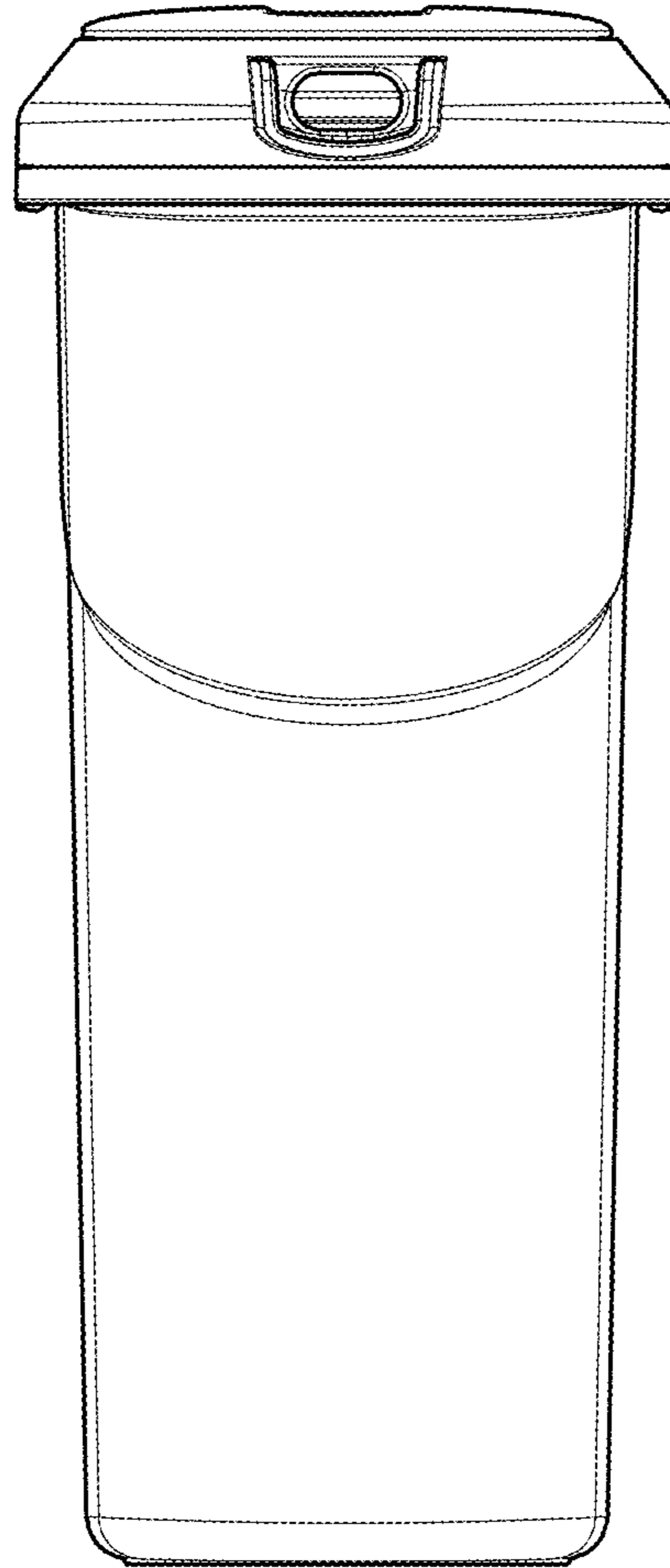


FIG. 11

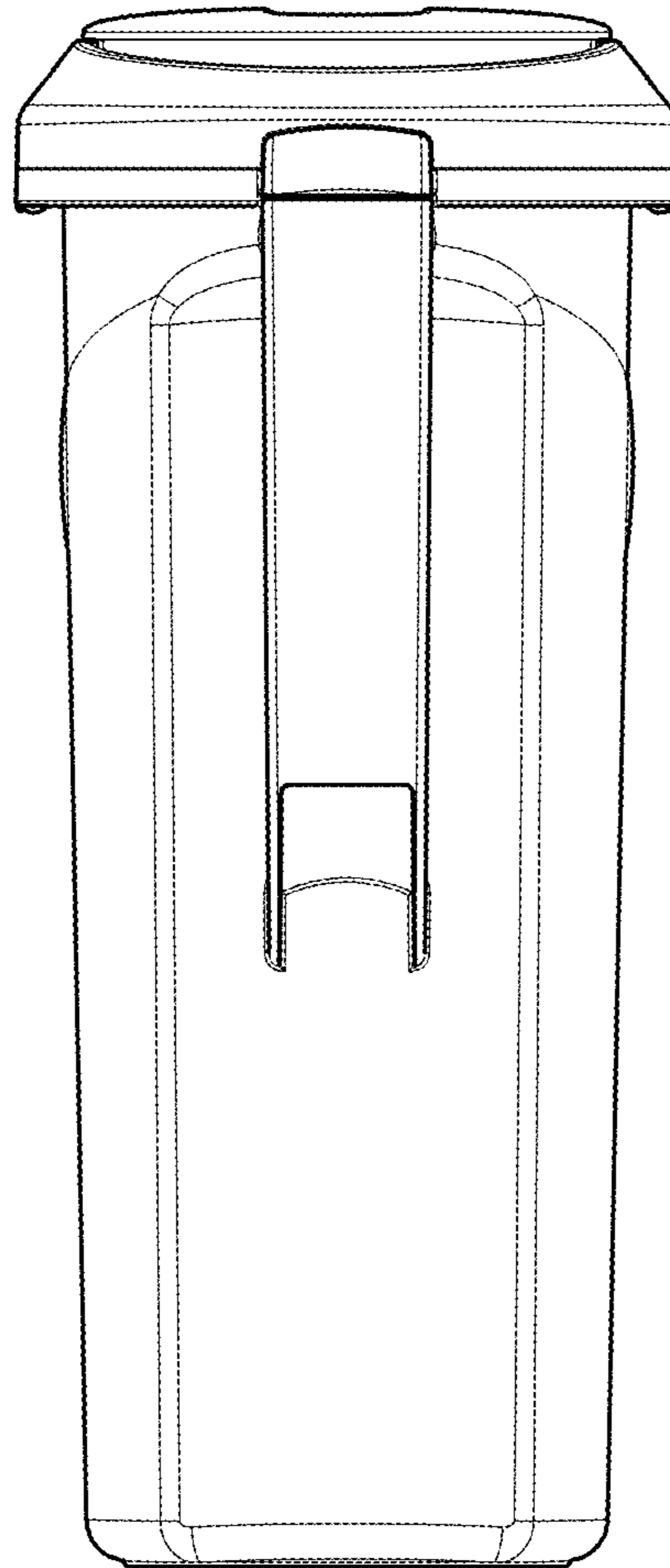


FIG. 12

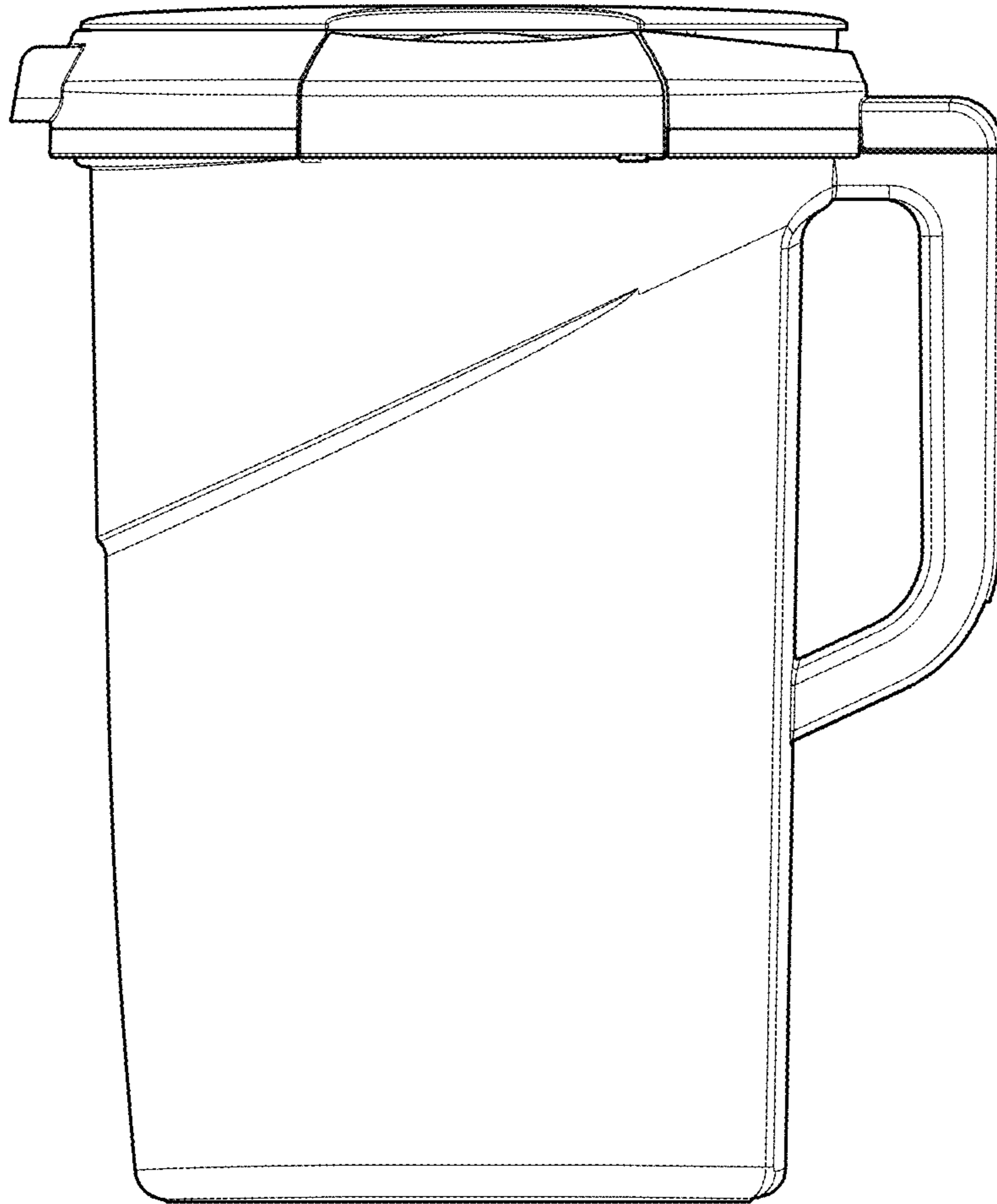


FIG. 13

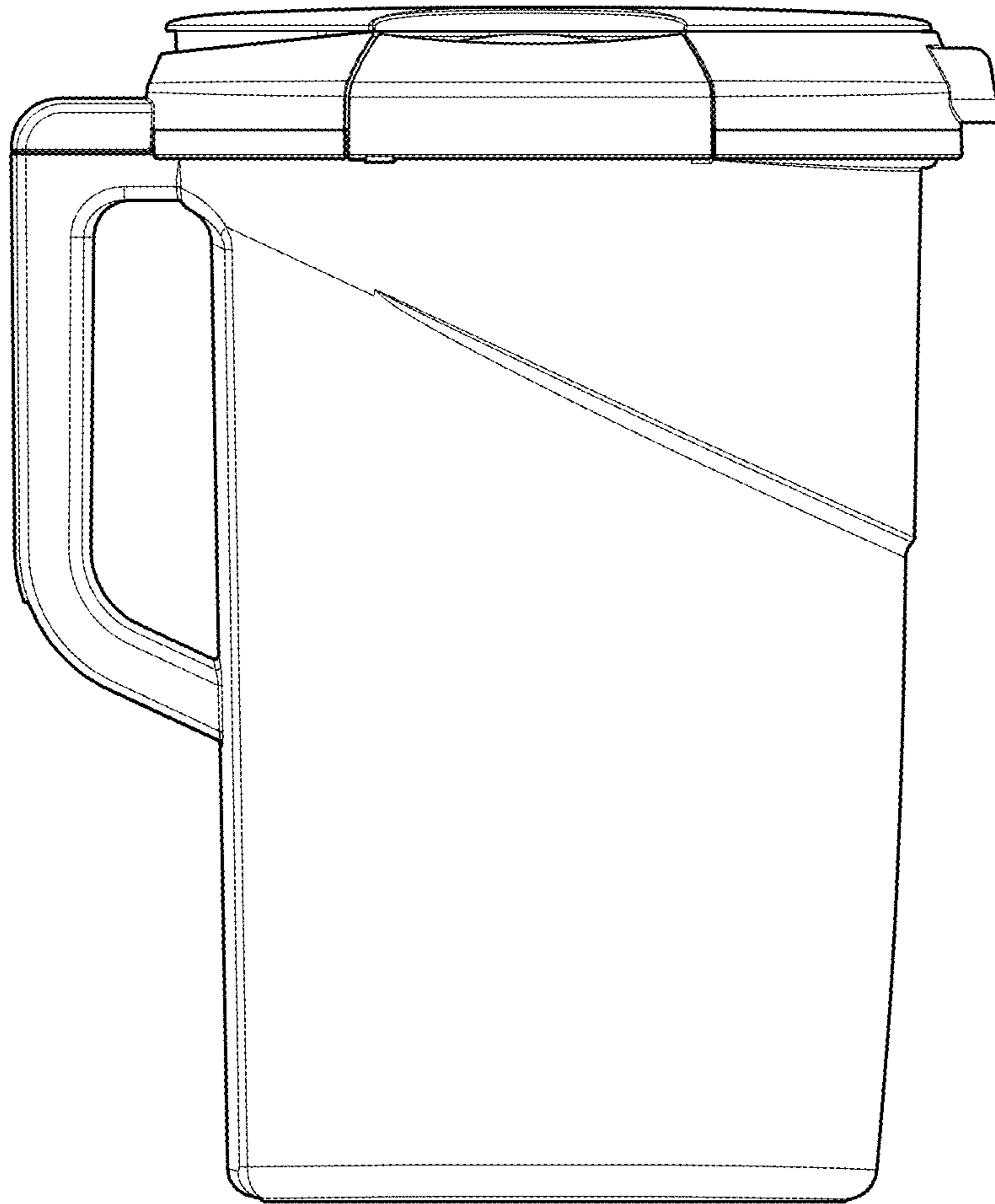


FIG. 14



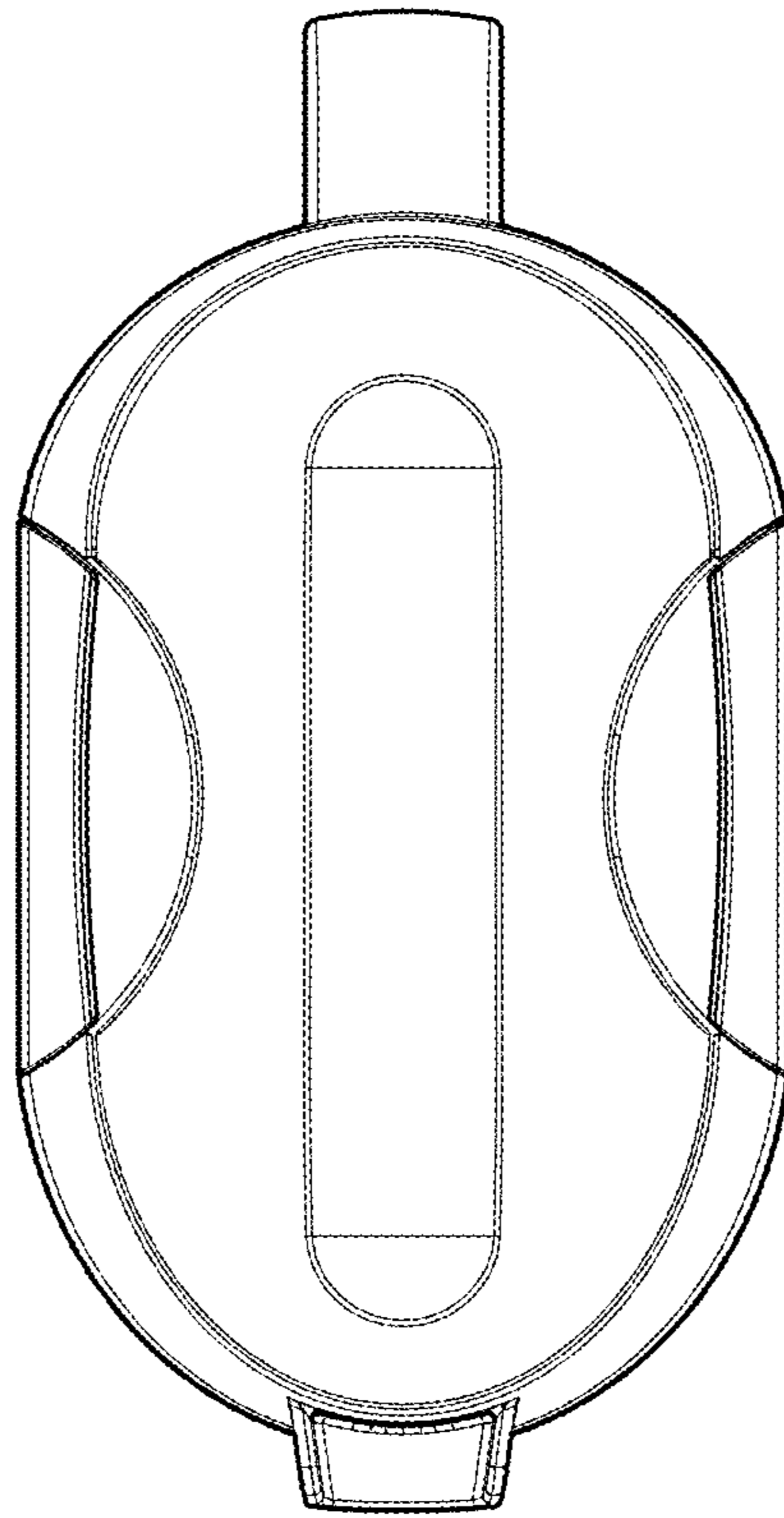


FIG. 15

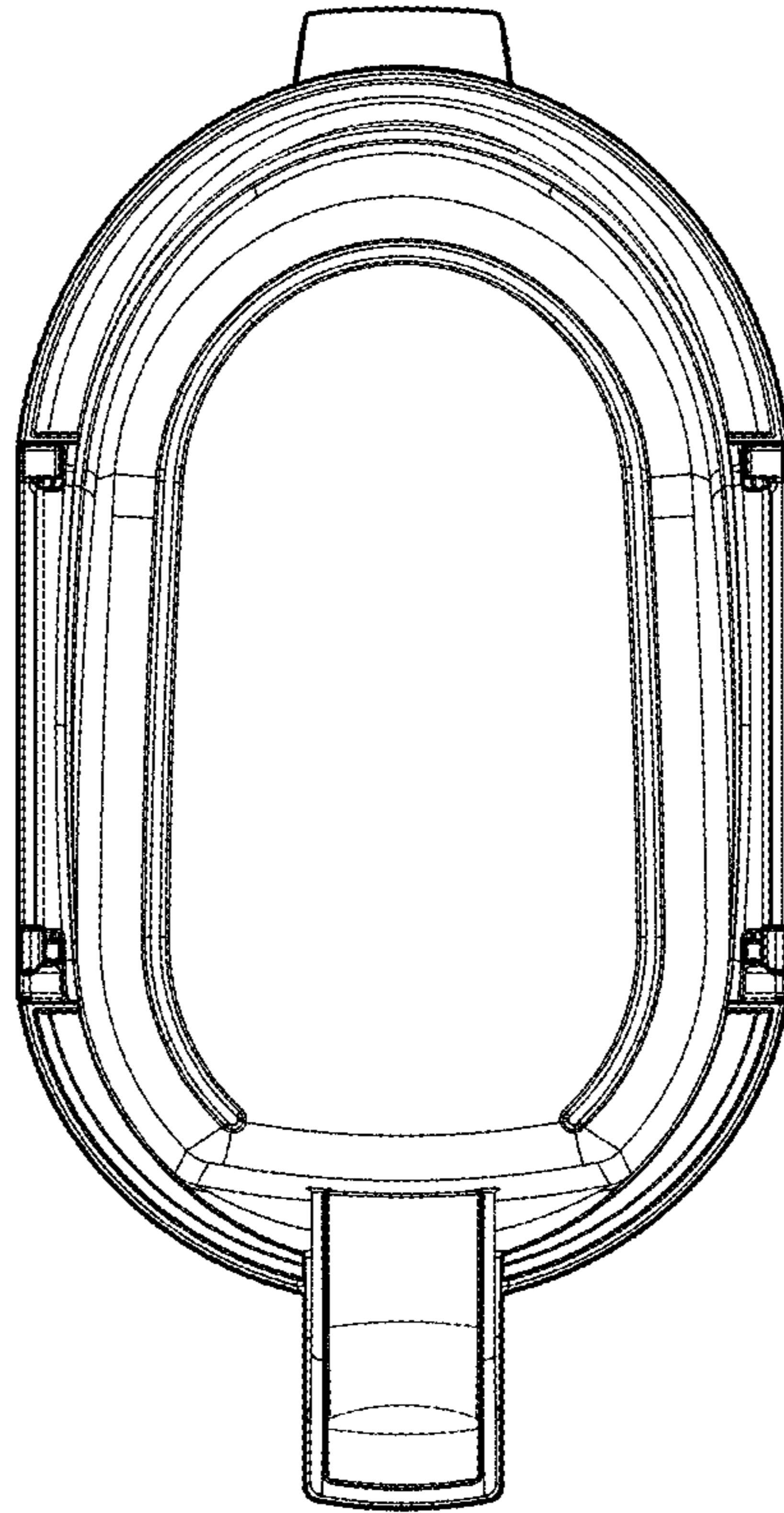


FIG. 16

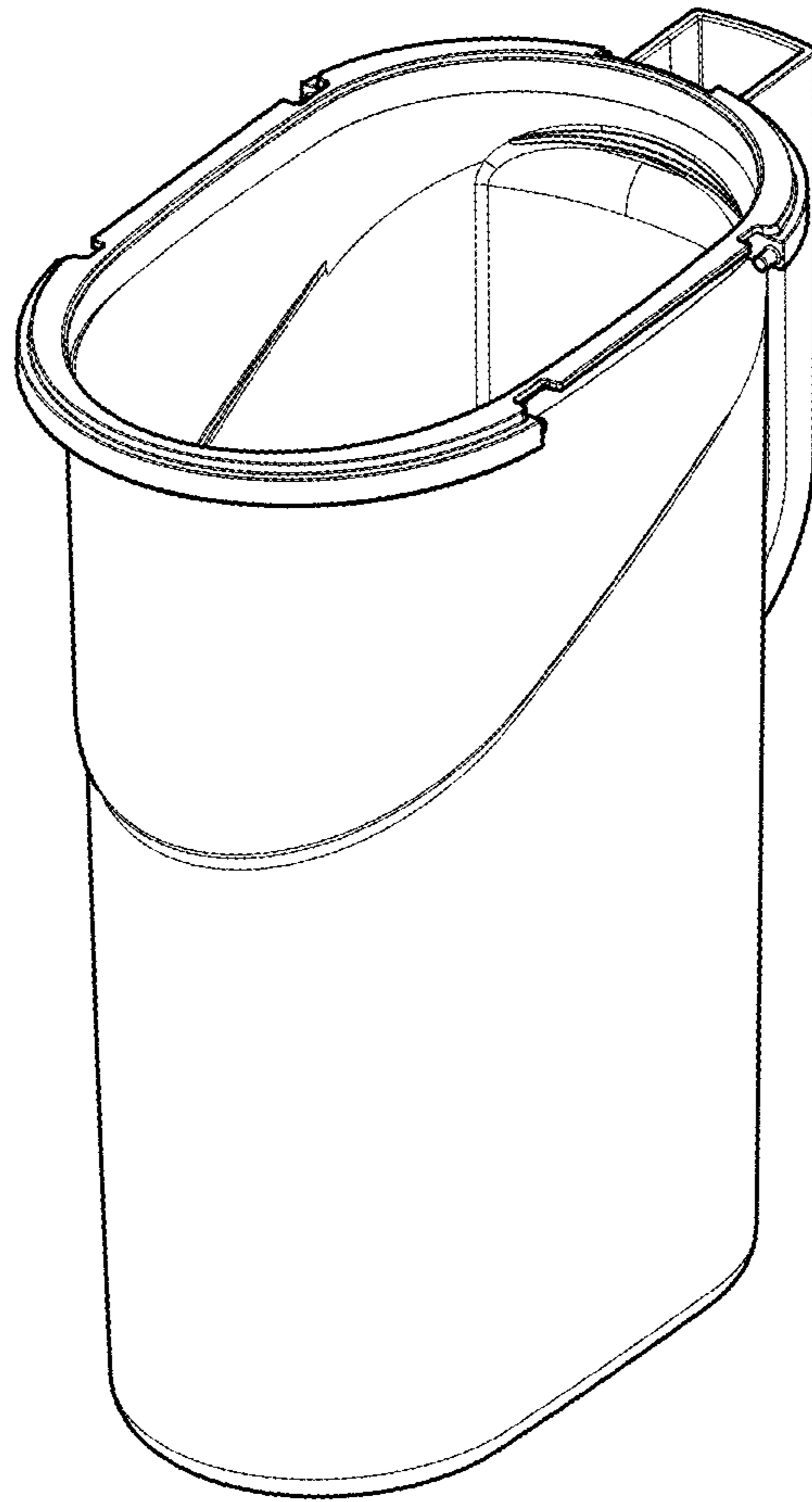


FIG. 17

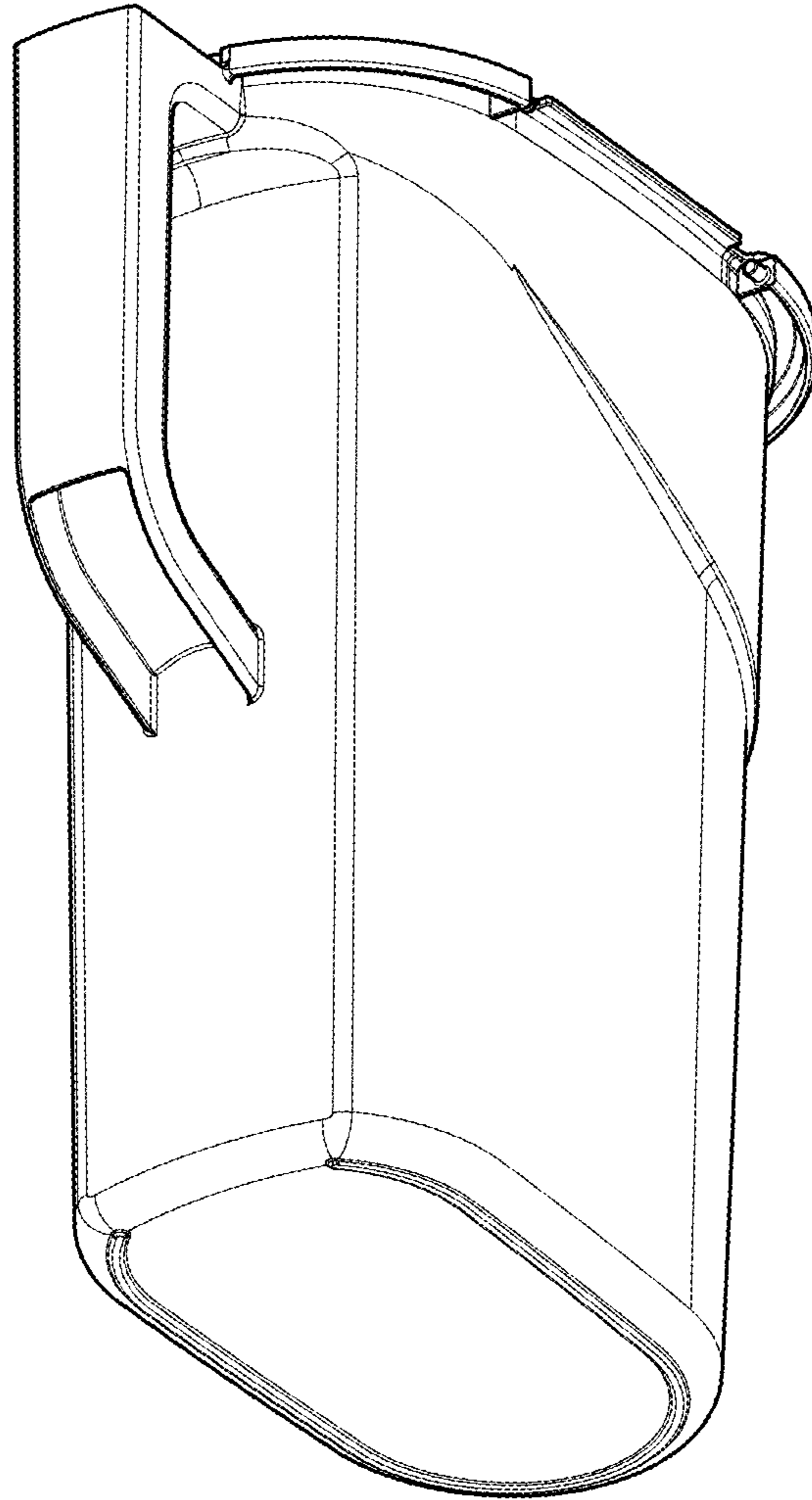


FIG. 18



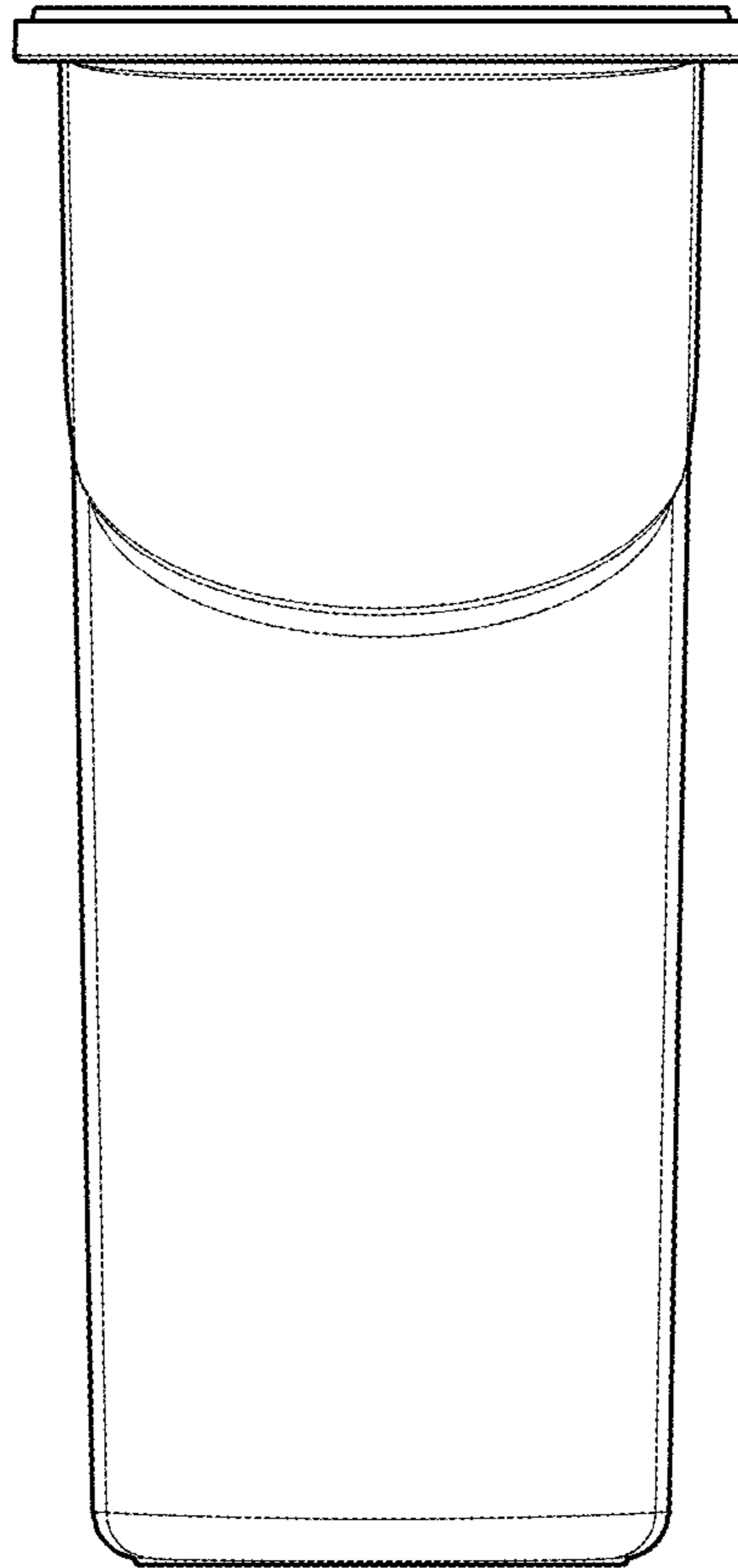


FIG. 19

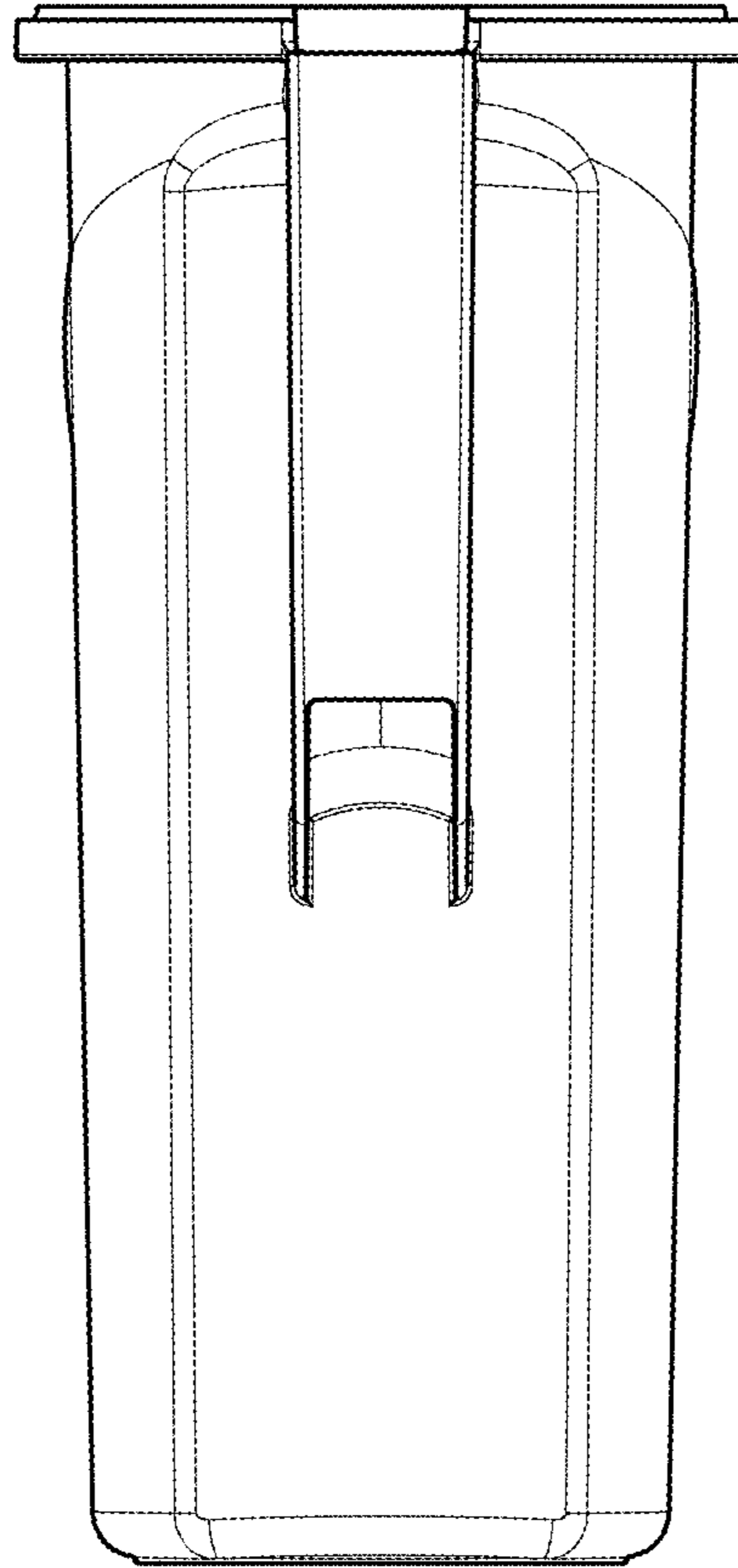


FIG. 20

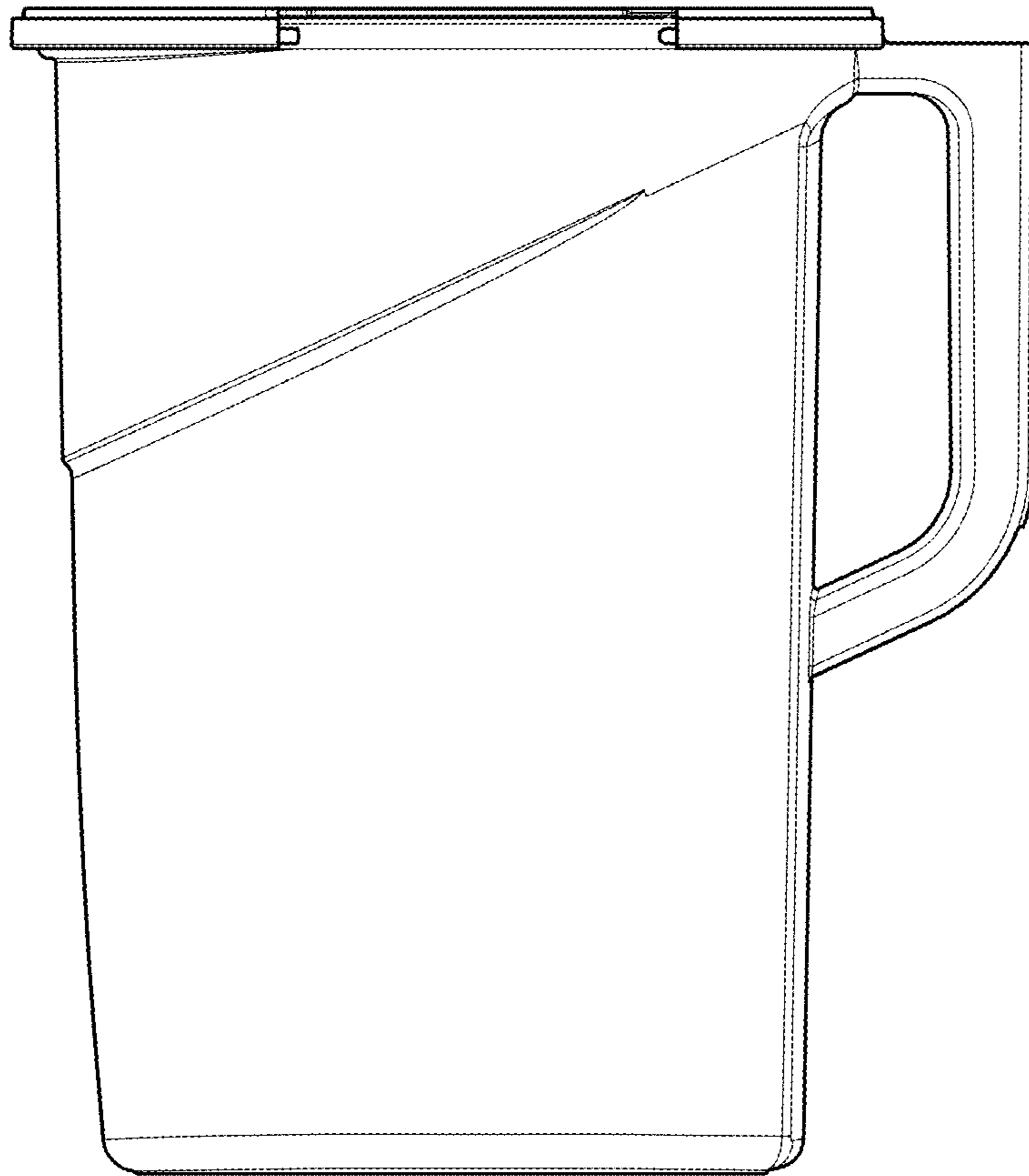


FIG. 21

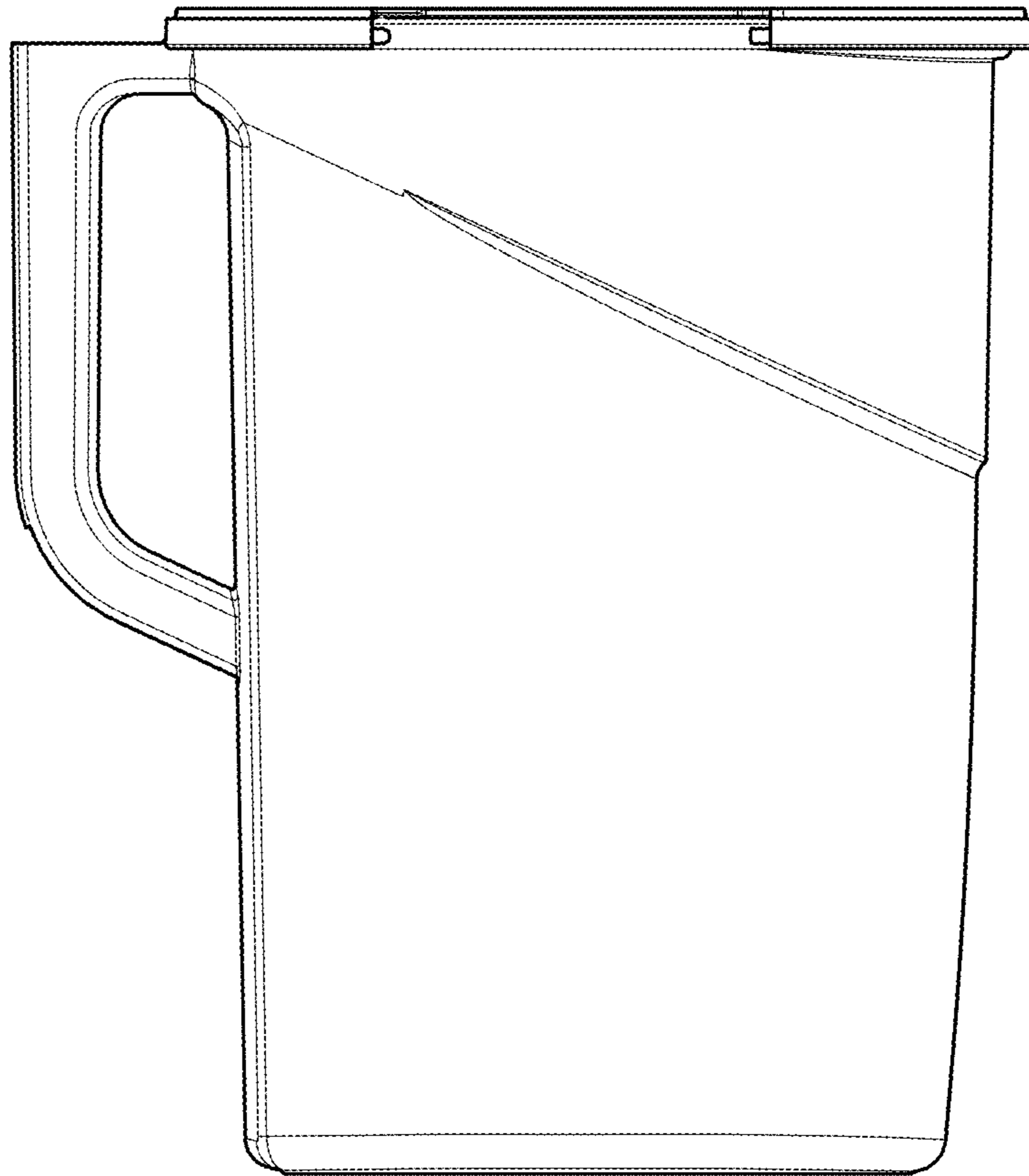


FIG. 22



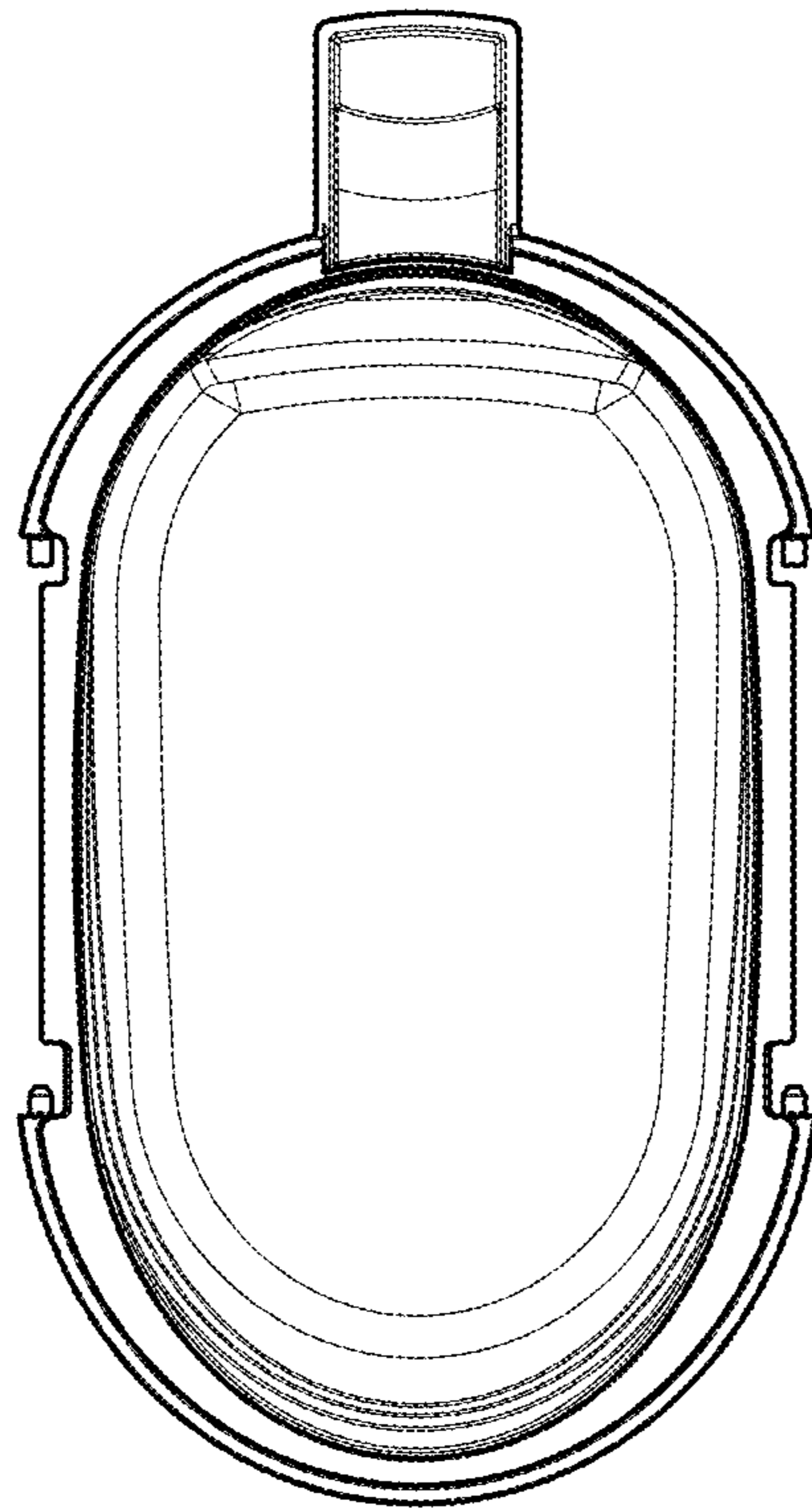


FIG. 23

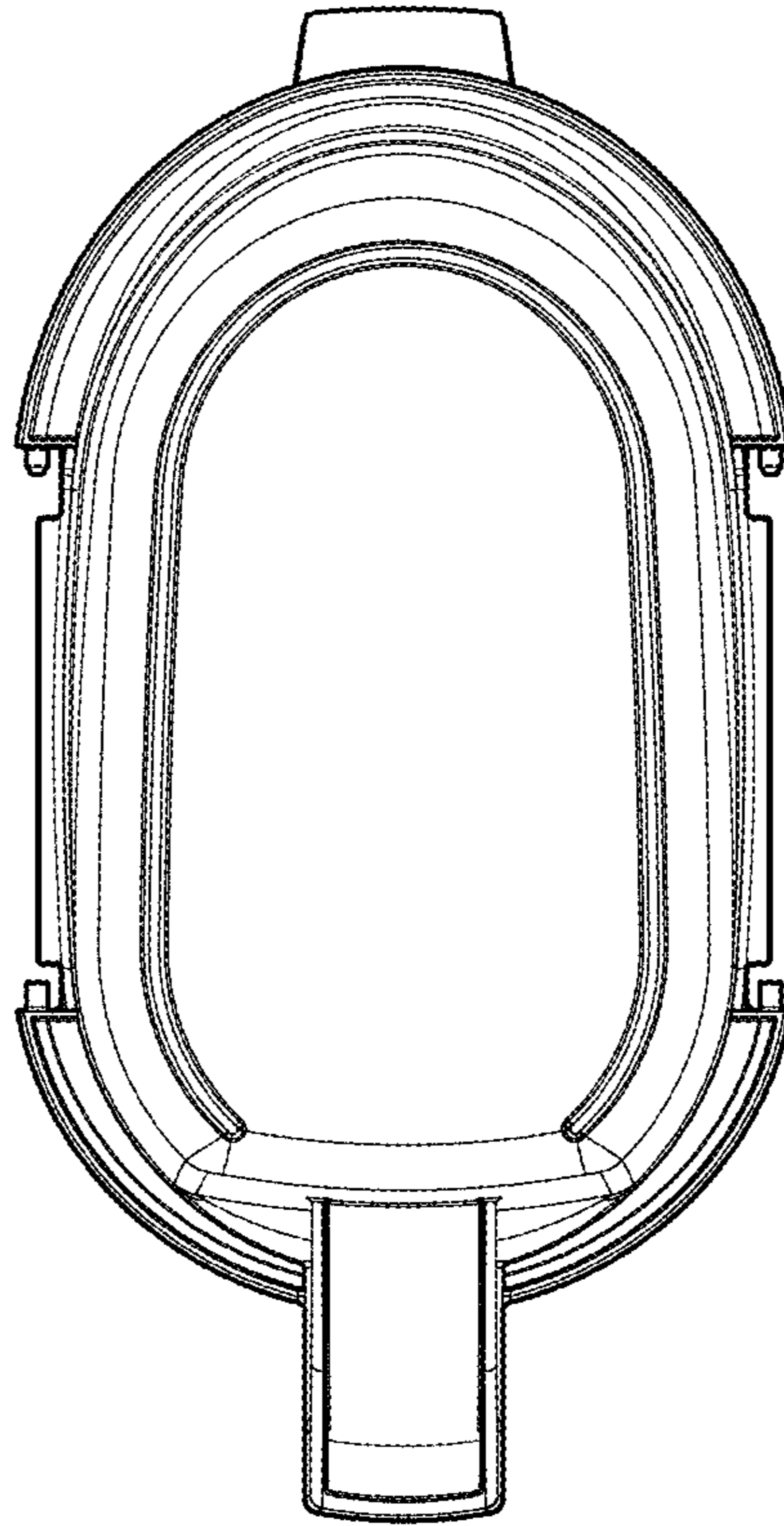


FIG. 24

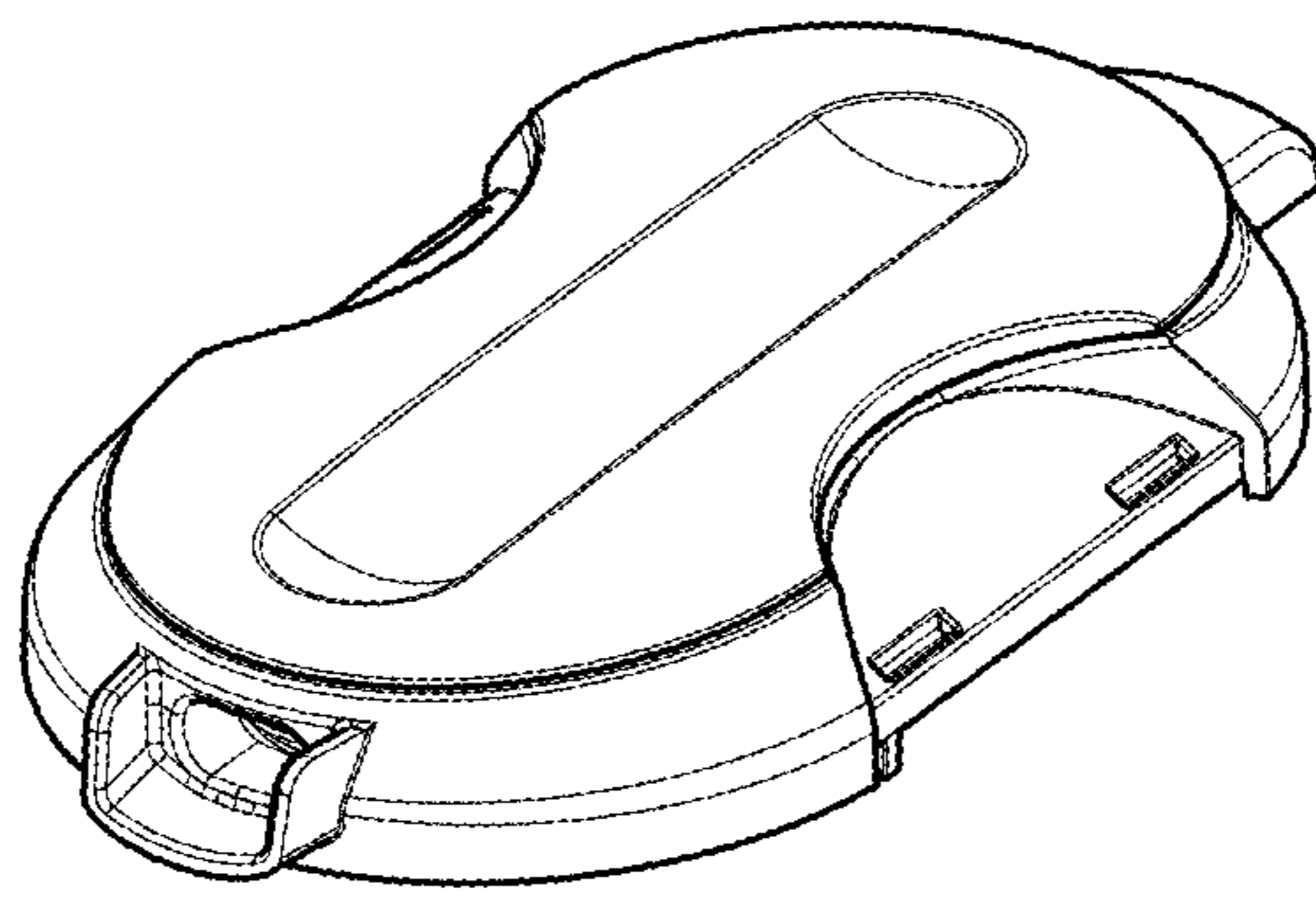


FIG. 25

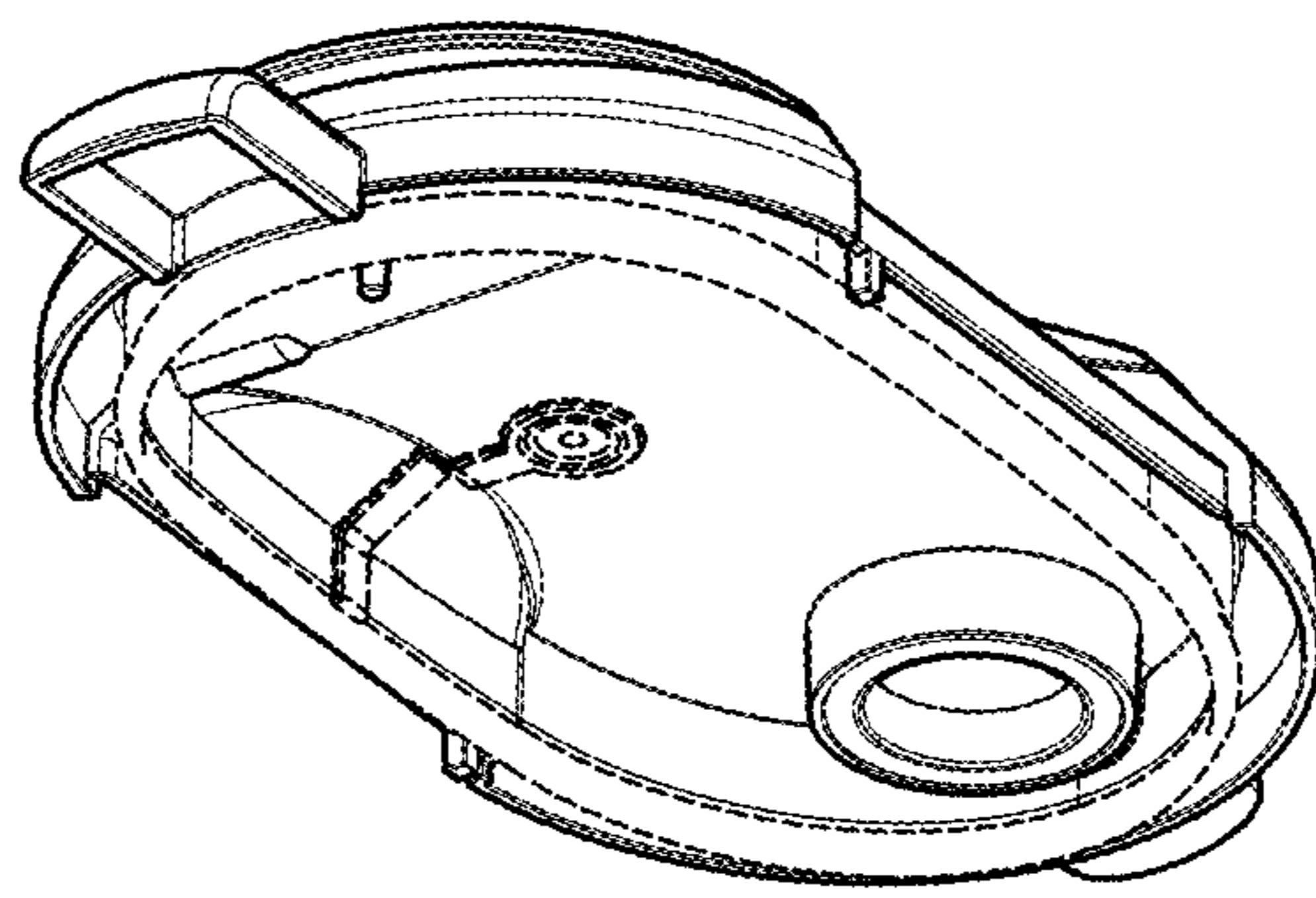


FIG. 26

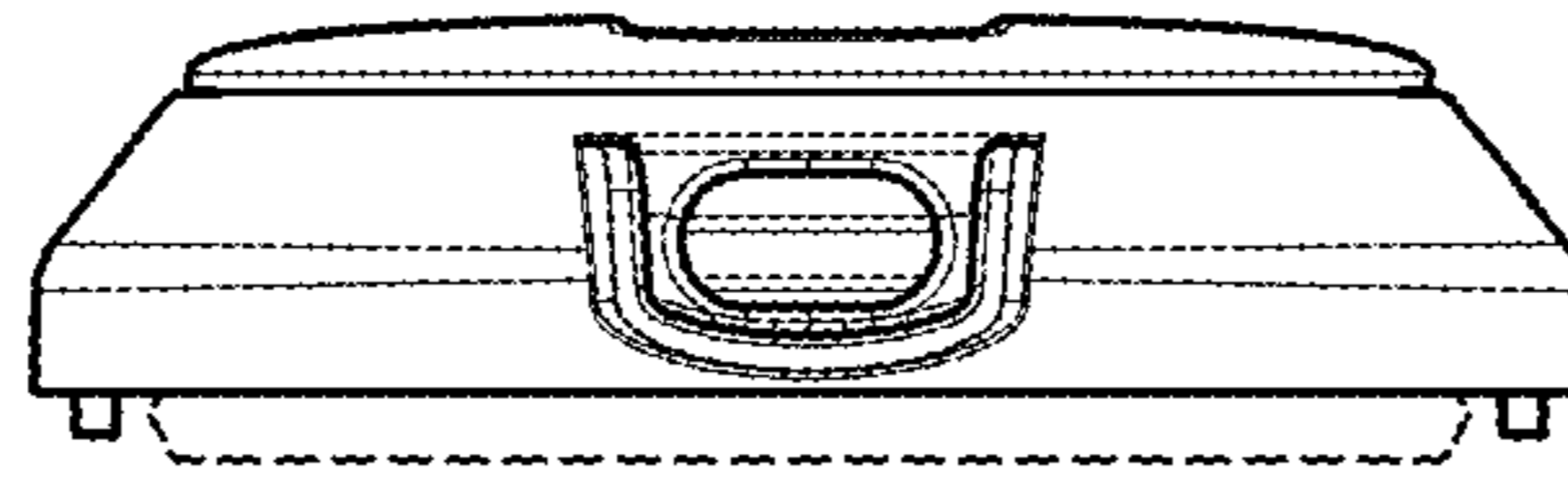


FIG. 27

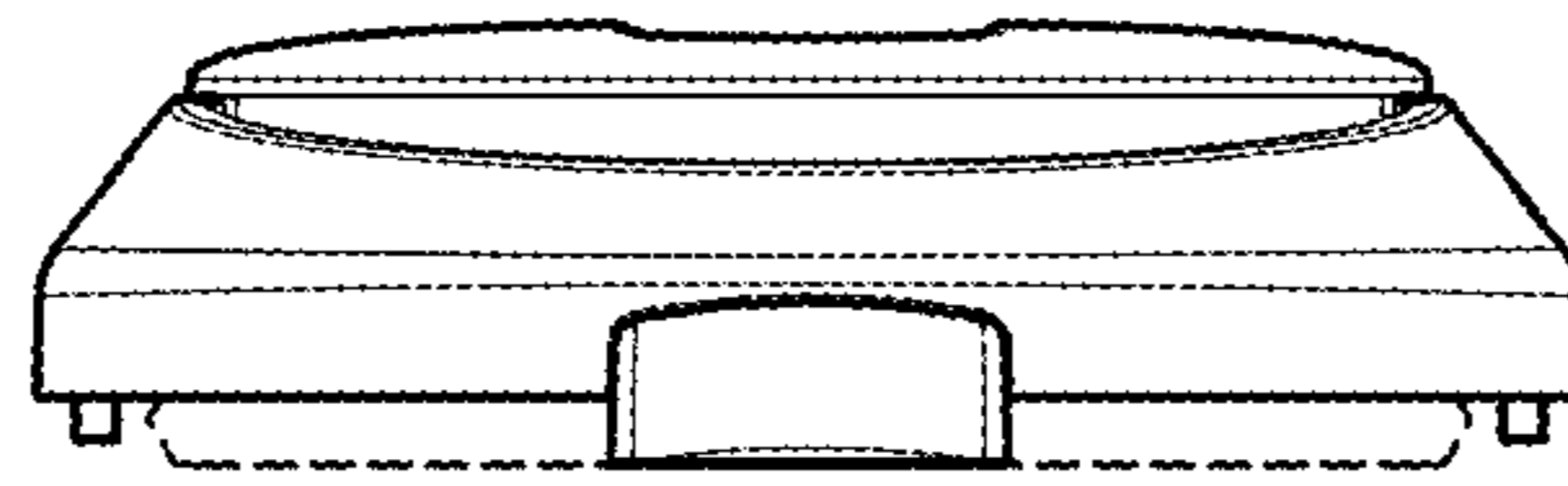


FIG. 28



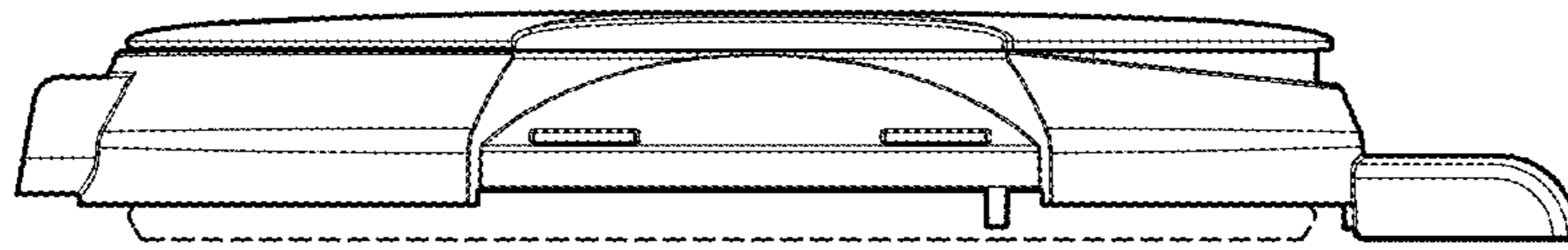


FIG. 29

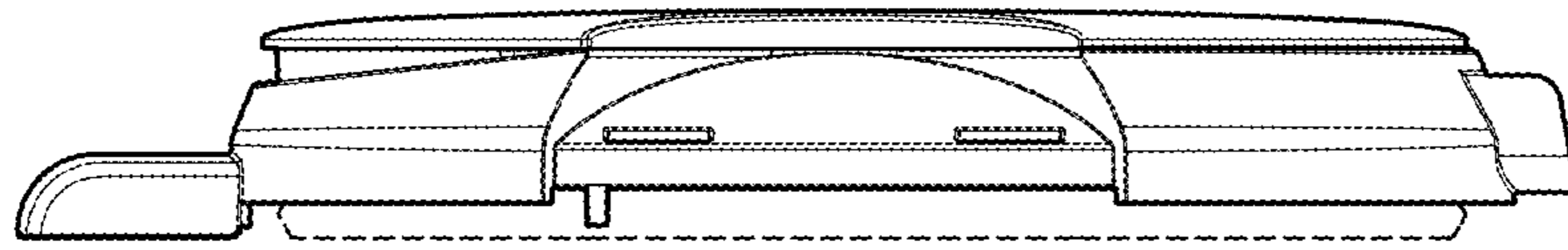


FIG. 30

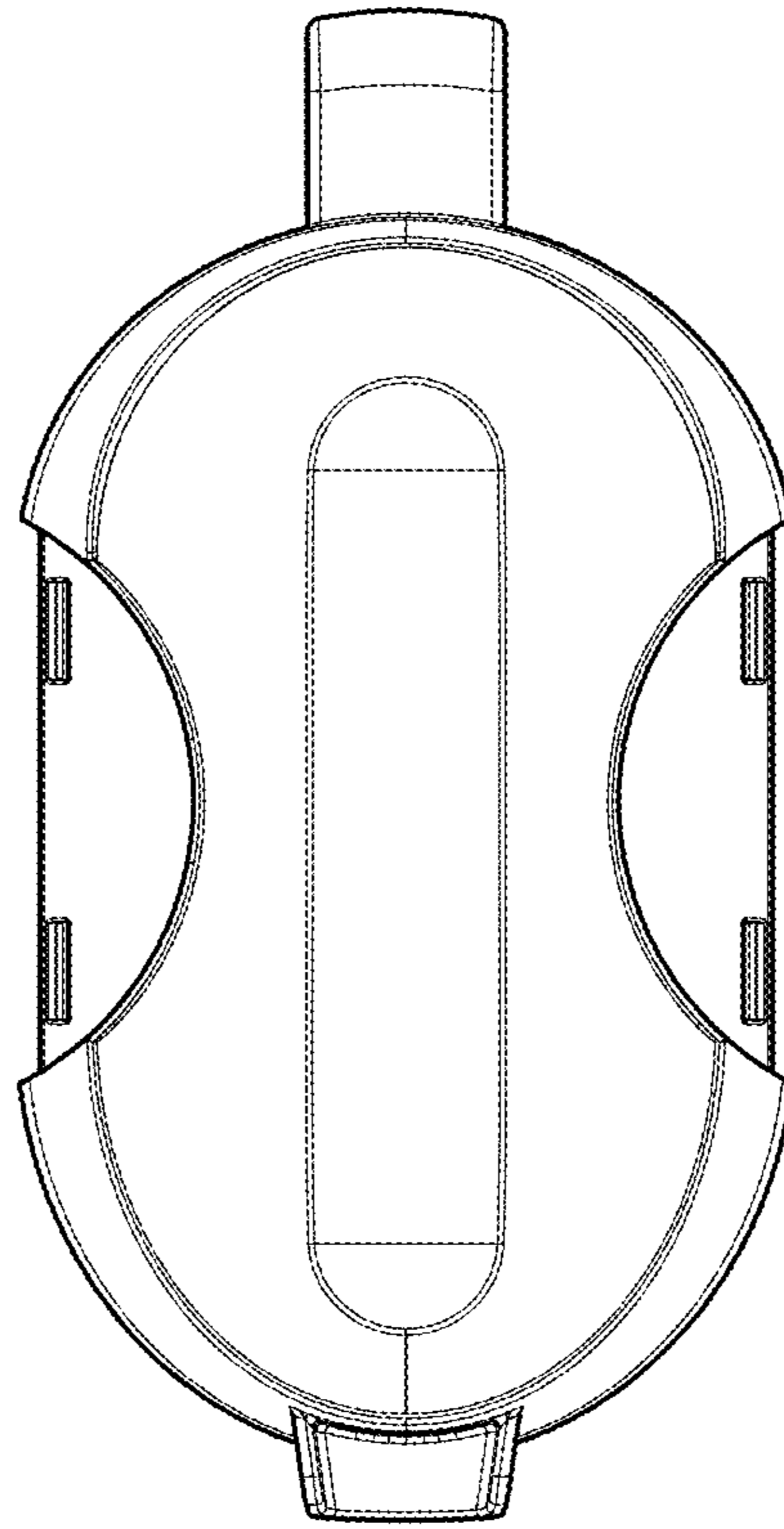


FIG. 31

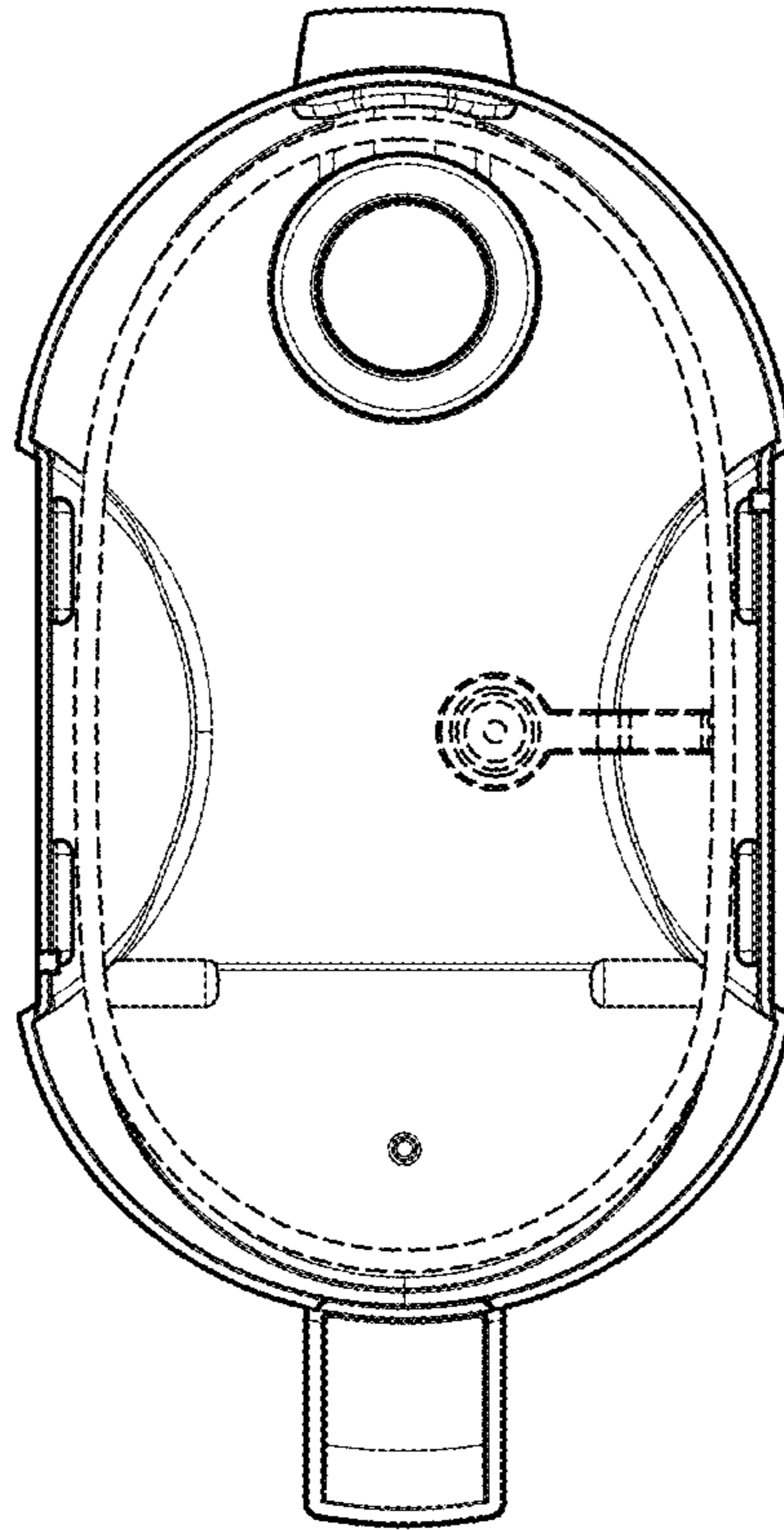


FIG. 32

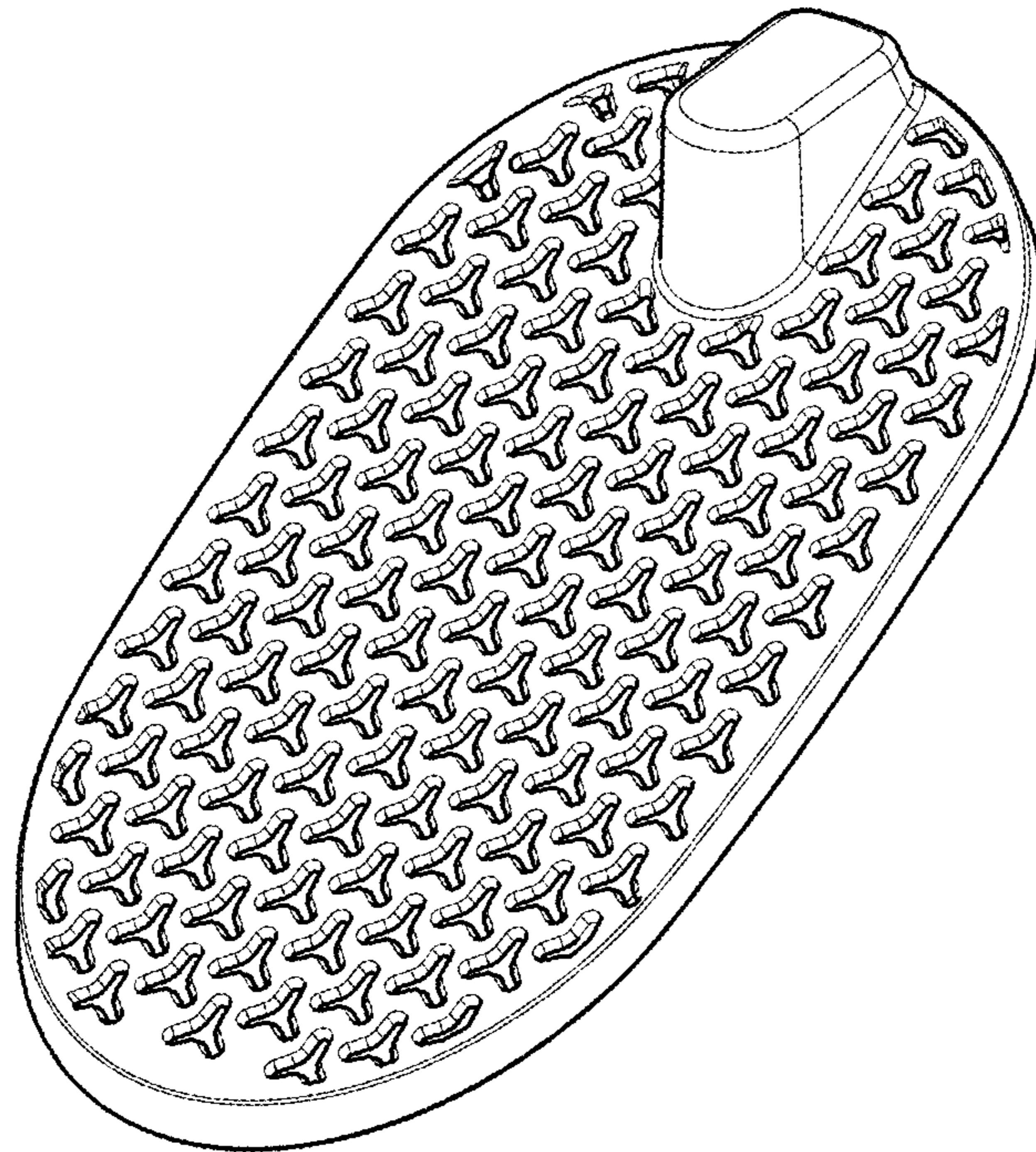


FIG. 33

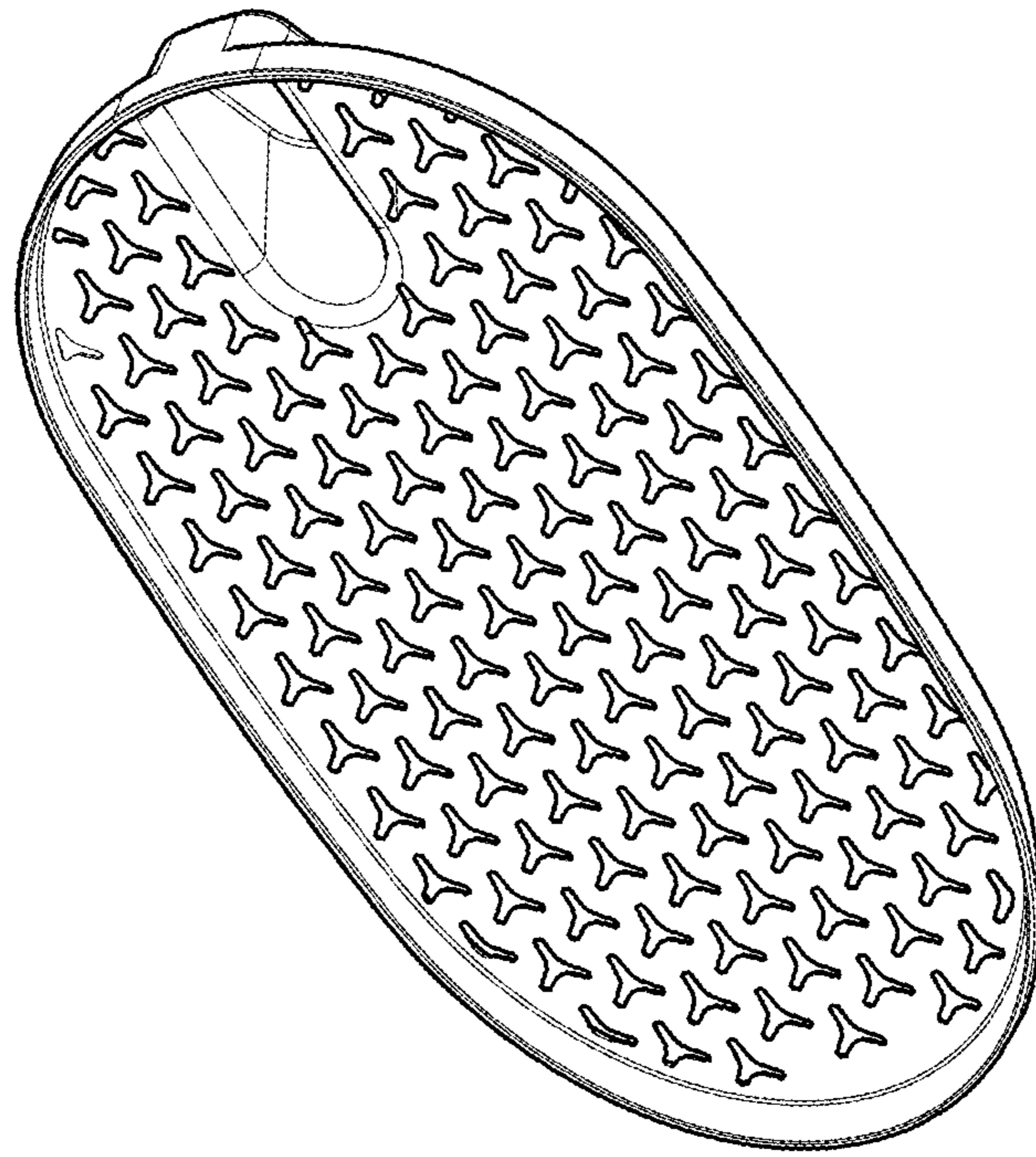


FIG. 34



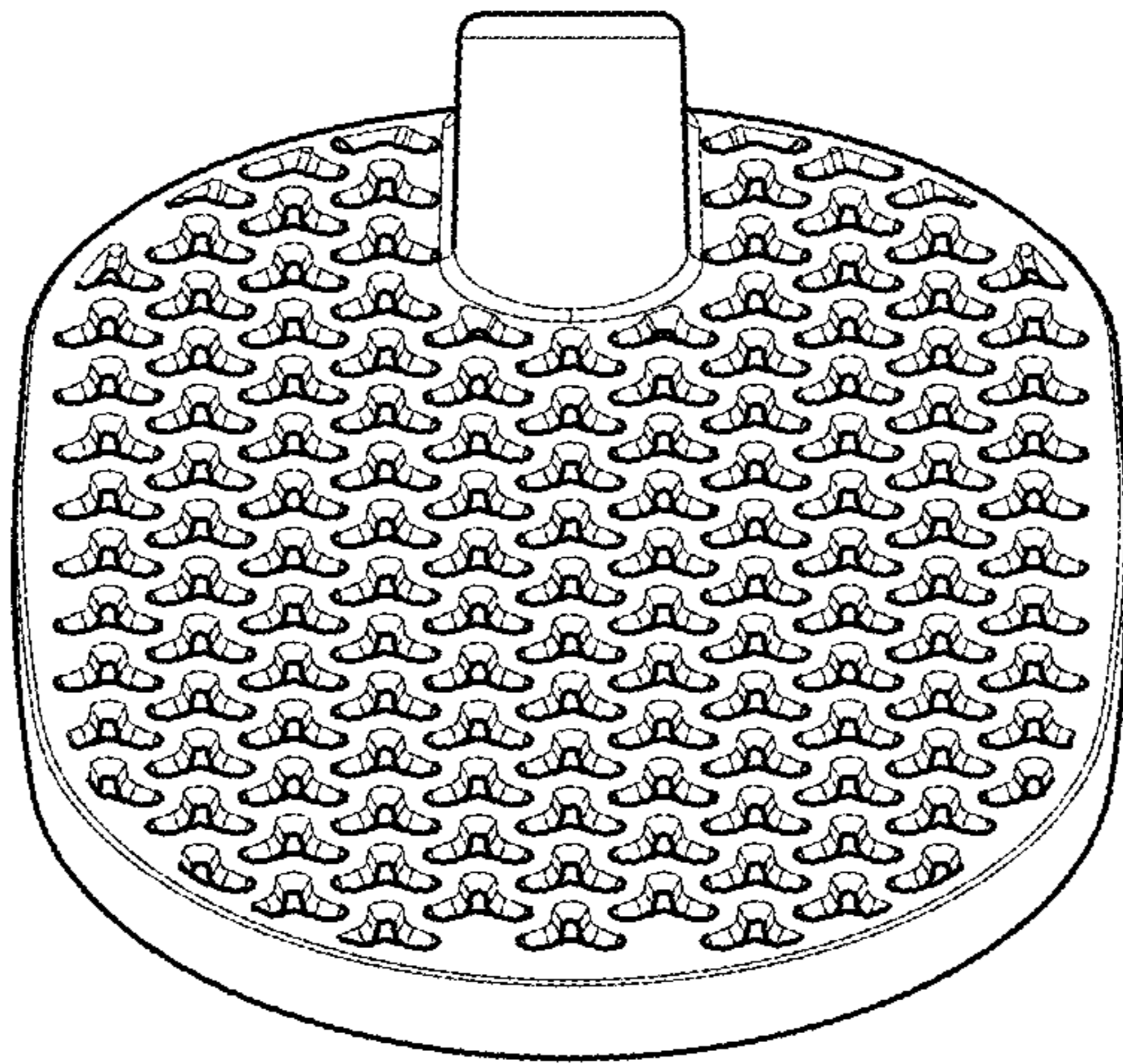


FIG. 35

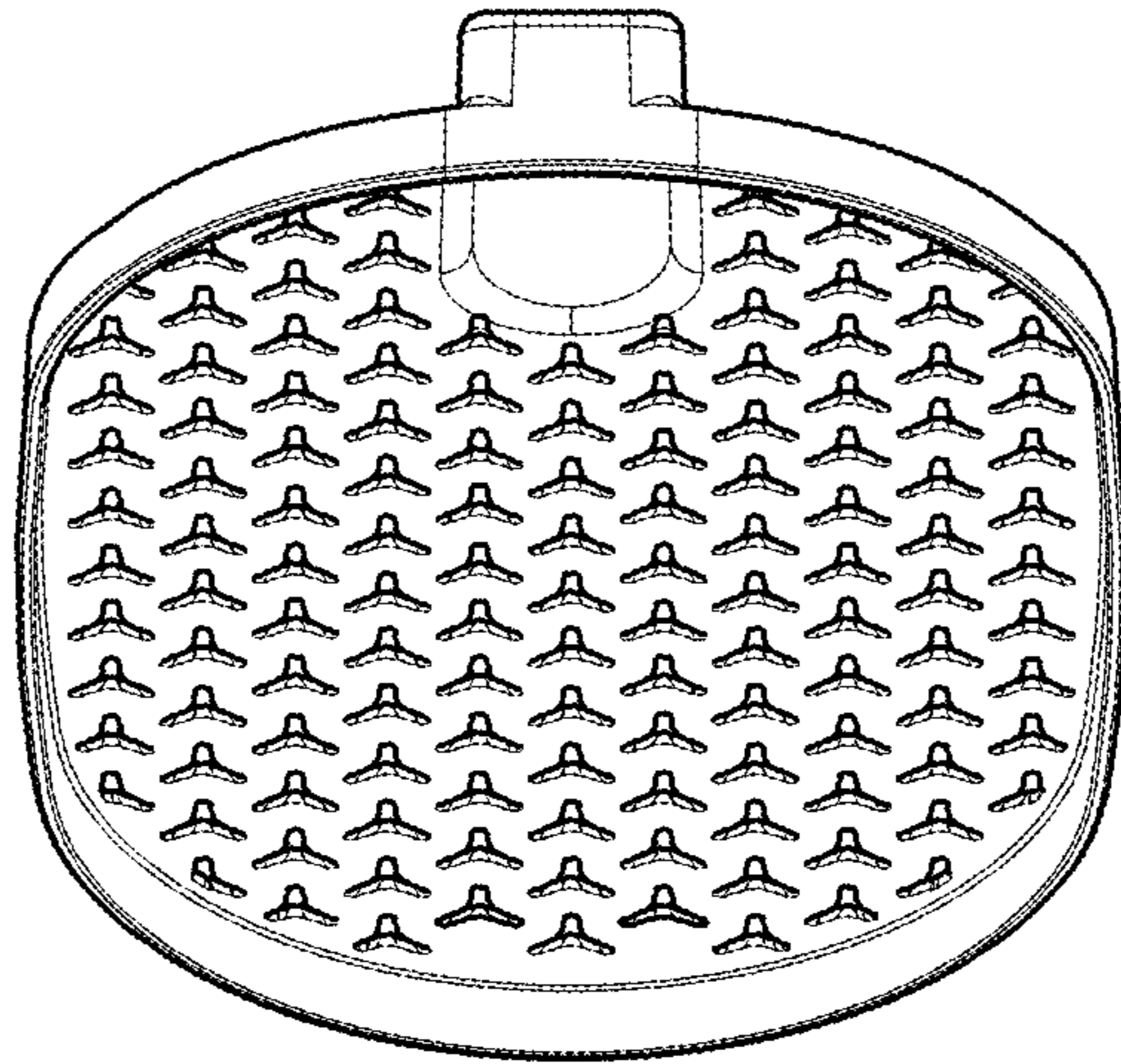


FIG. 36

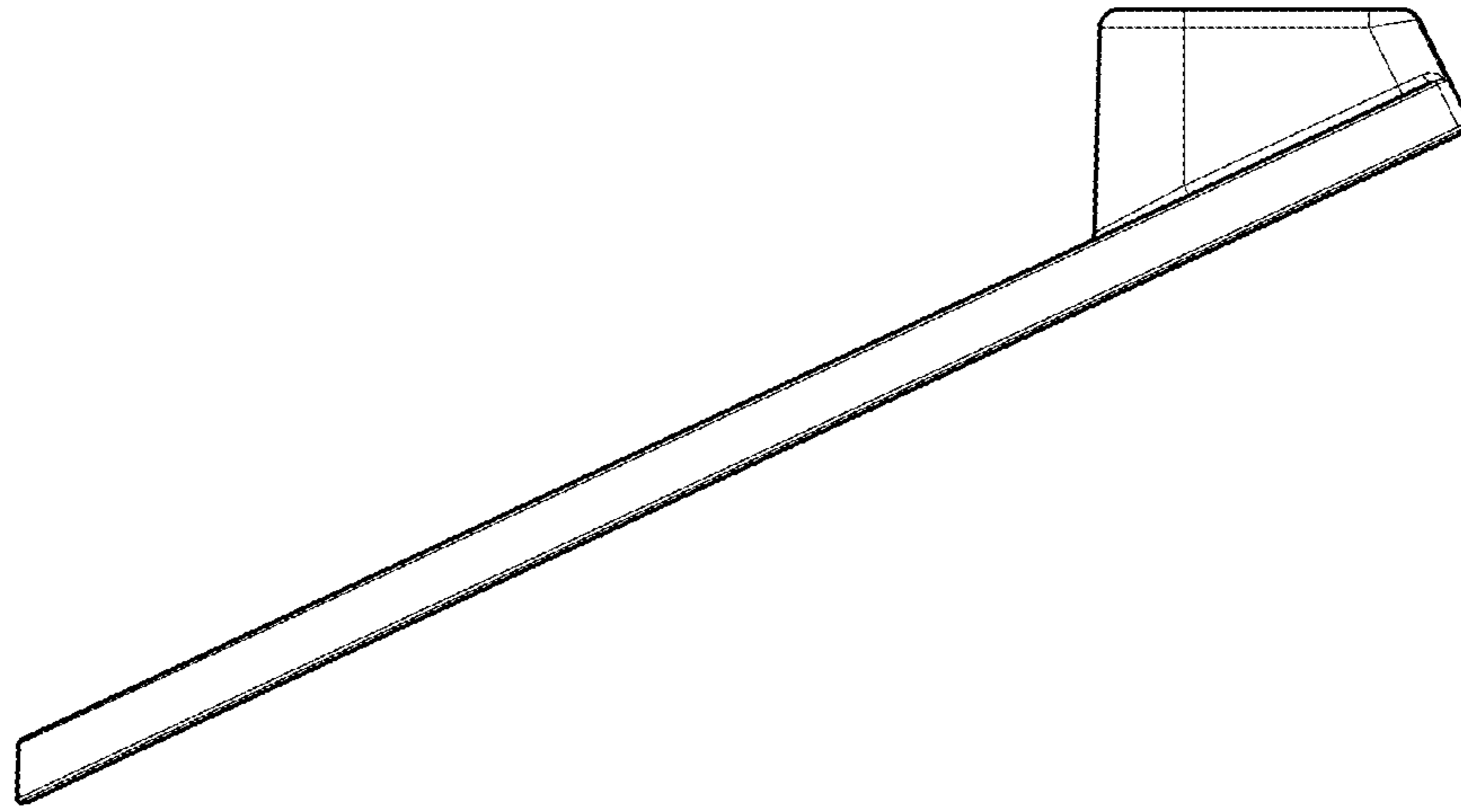


FIG. 37

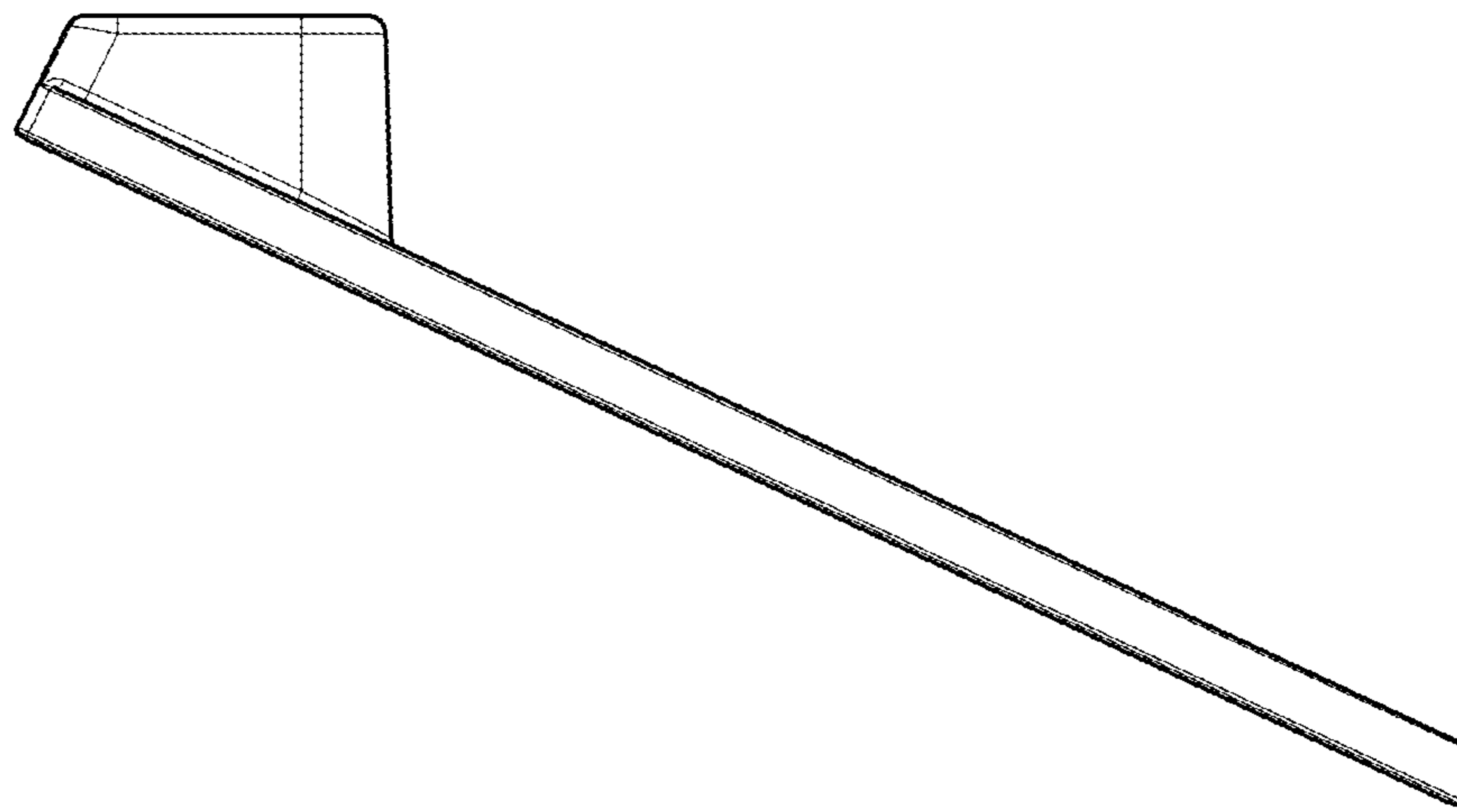


FIG. 38

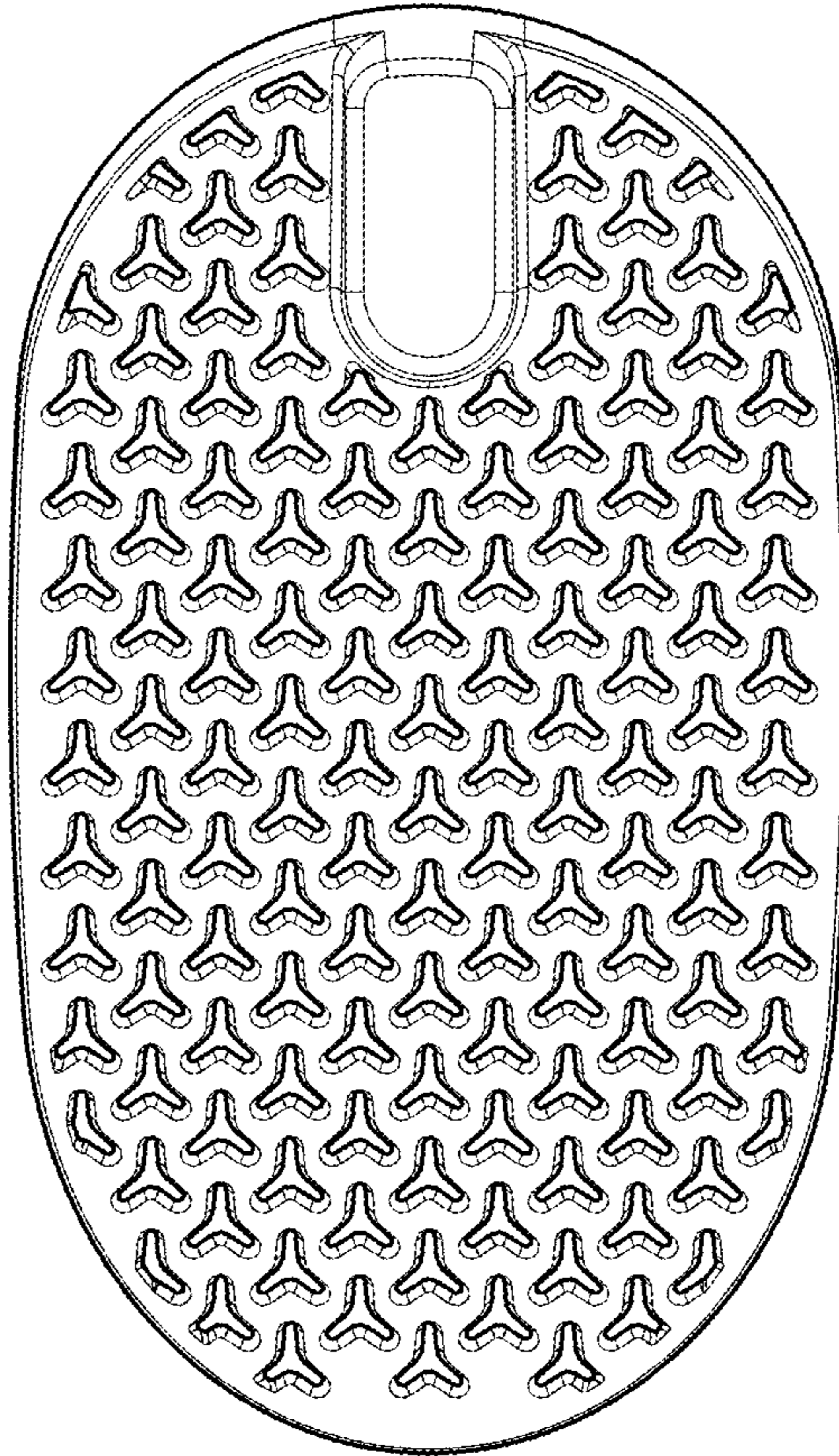


FIG. 39

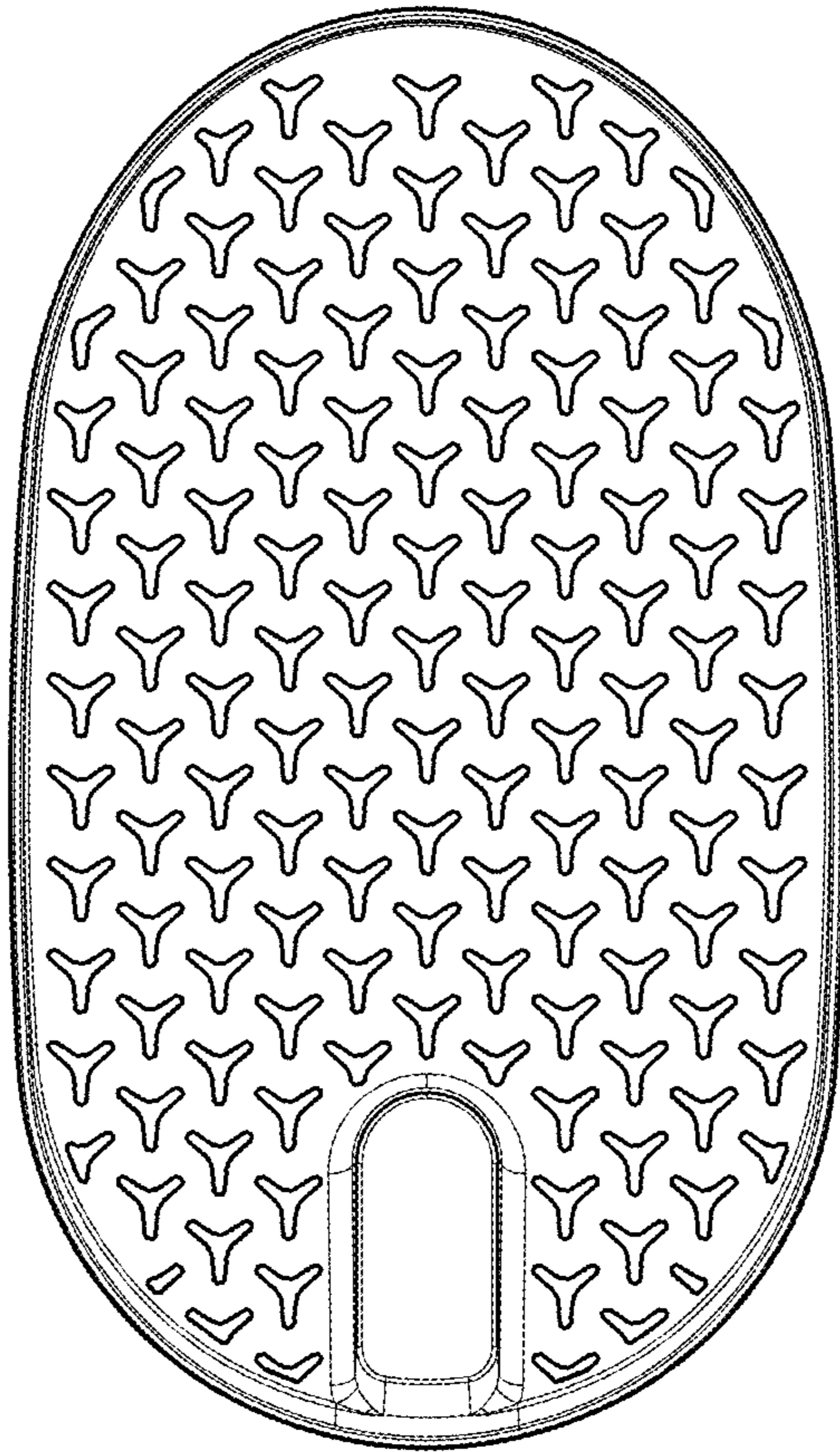


FIG. 40