



US00D883726S

(12) **United States Design Patent** (10) **Patent No.:** **US D883,726 S**
Guelfo (45) **Date of Patent:** **** May 12, 2020**

(54) **COFFEE MACHINES**

(71) Applicant: **Gruppo Cimbali S.p.A.**, Binasco MI (IT)

(72) Inventor: **Nicola Guelfo**, Moncalieri (IT)

(73) Assignee: **Gruppo Cimbali S.p.A.** (IT)

(**) Term: **15 Years**

(21) Appl. No.: **29/643,878**

(22) Filed: **Apr. 12, 2018**

(30) **Foreign Application Priority Data**

Oct. 13, 2017 (IT) 402017000116051
 Nov. 6, 2017 (EM) 004496230

(51) **LOC (12) Cl.** **07-01**

(52) **U.S. Cl.**
USPC **D7/309**; D7/311

(58) **Field of Classification Search**
 USPC D7/305-311, 313; D15/82; 222/129.1,
 222/146.6; 99/295; D20/1
 CPC A47J 31/44; A47J 31/4403; A47J 31/46;
 A47J 31/4482; A47J 31/369; A47J 31/52;
 A47J 31/407; A47J 31/10; A47J 31/467;
 A47J 31/0615; B67D 1/36; B67D
 2210/0065; B67D 1/0864; B67D 3/0061
 See application file for complete search history.

(56) **References Cited**

U.S. PATENT DOCUMENTS

D313,724 S * 1/1991 Pinon D7/308
 D395,975 S * 7/1998 Munoz D7/308
 D417,580 S * 12/1999 Fusi D7/309
 D439,788 S * 4/2001 Bettini D7/309
 D476,842 S * 7/2003 Cortese D7/308
 D497,510 S * 10/2004 Comorera Ivanov D7/307
 D497,765 S * 11/2004 Netter D7/300

D550,498 S * 9/2007 Vicente Seguer D7/309
 D551,487 S * 9/2007 Beretta D7/307
 D573,393 S * 7/2008 Trazzi D7/309
 D592,003 S * 5/2009 Giugiaro D7/308
 D598,739 S * 8/2009 Jimenez D9/420
 D640,083 S * 6/2011 Davenport D7/309
 D672,998 S * 12/2012 Bonetto D7/308
 D695,052 S * 12/2013 Ottavi D7/309
 D758,778 S * 6/2016 Bonetto D7/306
 D812,404 S * 3/2018 Guelfo D7/307
 D812,405 S * 3/2018 Guelfo D7/309
 D841,384 S * 2/2019 Furstenberg D7/309

(Continued)

Primary Examiner — Marianne N Pandozzi

(74) *Attorney, Agent, or Firm* — Alan G. Towner; Leech Tishman Fuscaldo & Lampl

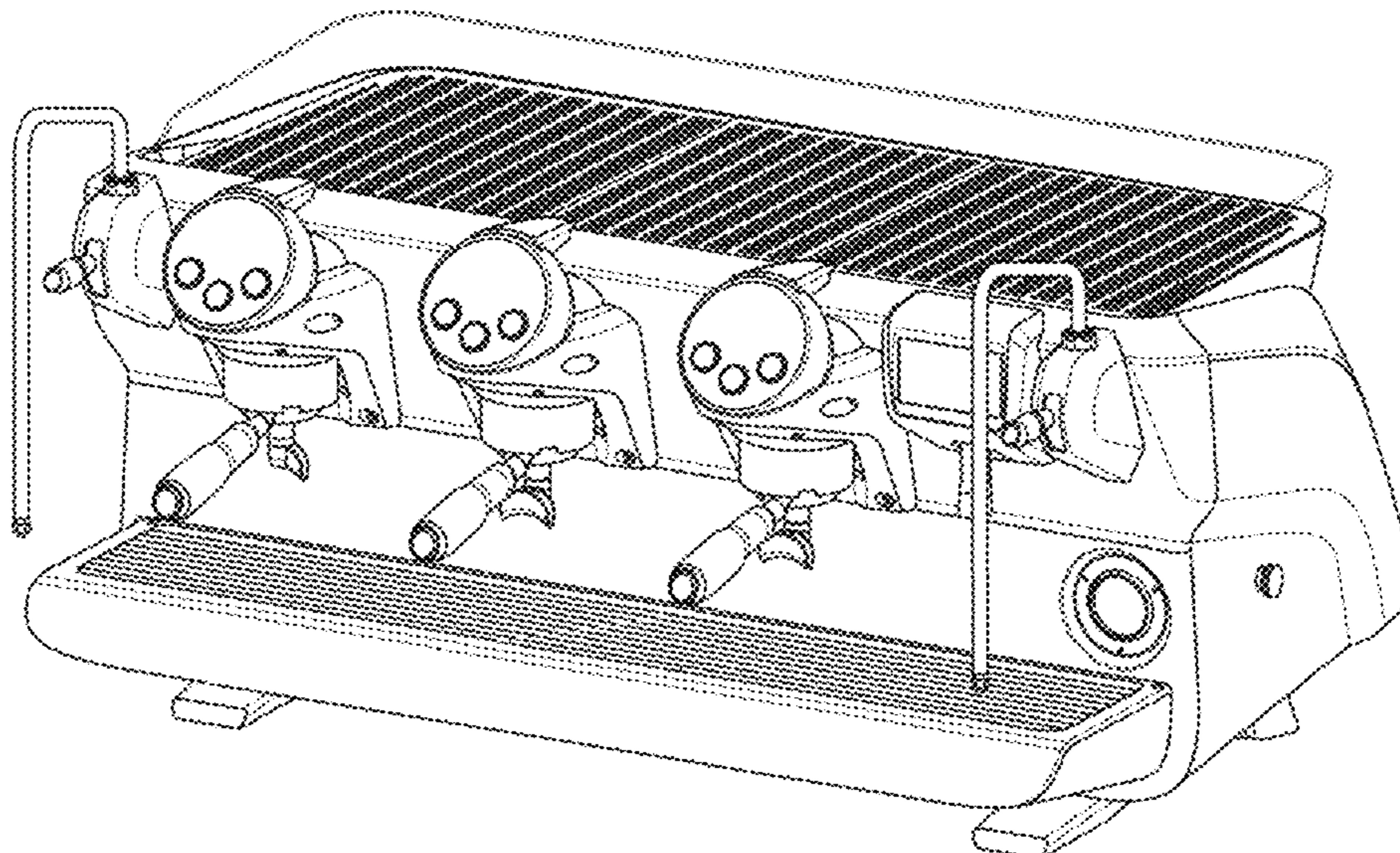
(57) **CLAIM**

The ornamental design for a coffee machine, as shown and described.

DESCRIPTION

FIG. 1 is a perspective view of a coffee machine showing my new design;
 FIG. 2 is a front view thereof;
 FIG. 3 is a back view thereof;
 FIG. 4 is a left side thereof;
 FIG. 5 is a right side thereof;
 FIG. 6 is a top view thereof;
 FIG. 7 is a bottom view thereof;
 FIG. 8 is a perspective view of a coffee machine showing a second embodiment of my new design;
 FIG. 9 is a front view thereof;
 FIG. 10 is a back view thereof;
 FIG. 11 is a left side thereof;
 FIG. 12 is a right side thereof;
 FIG. 13 is a top view thereof; and,
 FIG. 14 is a bottom view thereof.
 The broken lines are for environmental purposes only and form no part of the claimed design.

1 Claim, 14 Drawing Sheets



(56)

References Cited

U.S. PATENT DOCUMENTS

2009/0205502 A1* 8/2009 Carbonini A47J 31/52
99/280
2017/0332828 A1* 11/2017 Nocera A47J 31/46

* cited by examiner

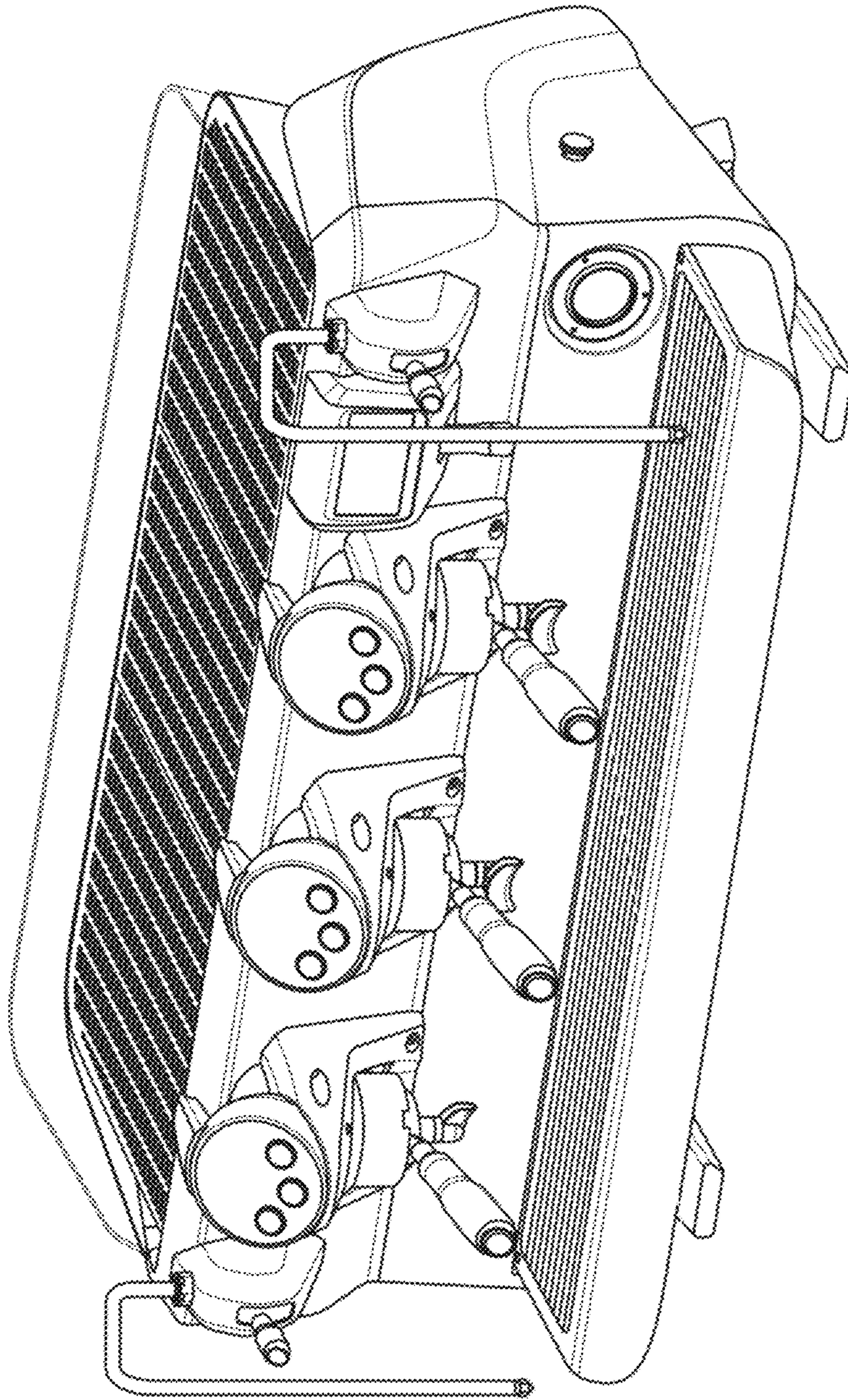


FIG. 1

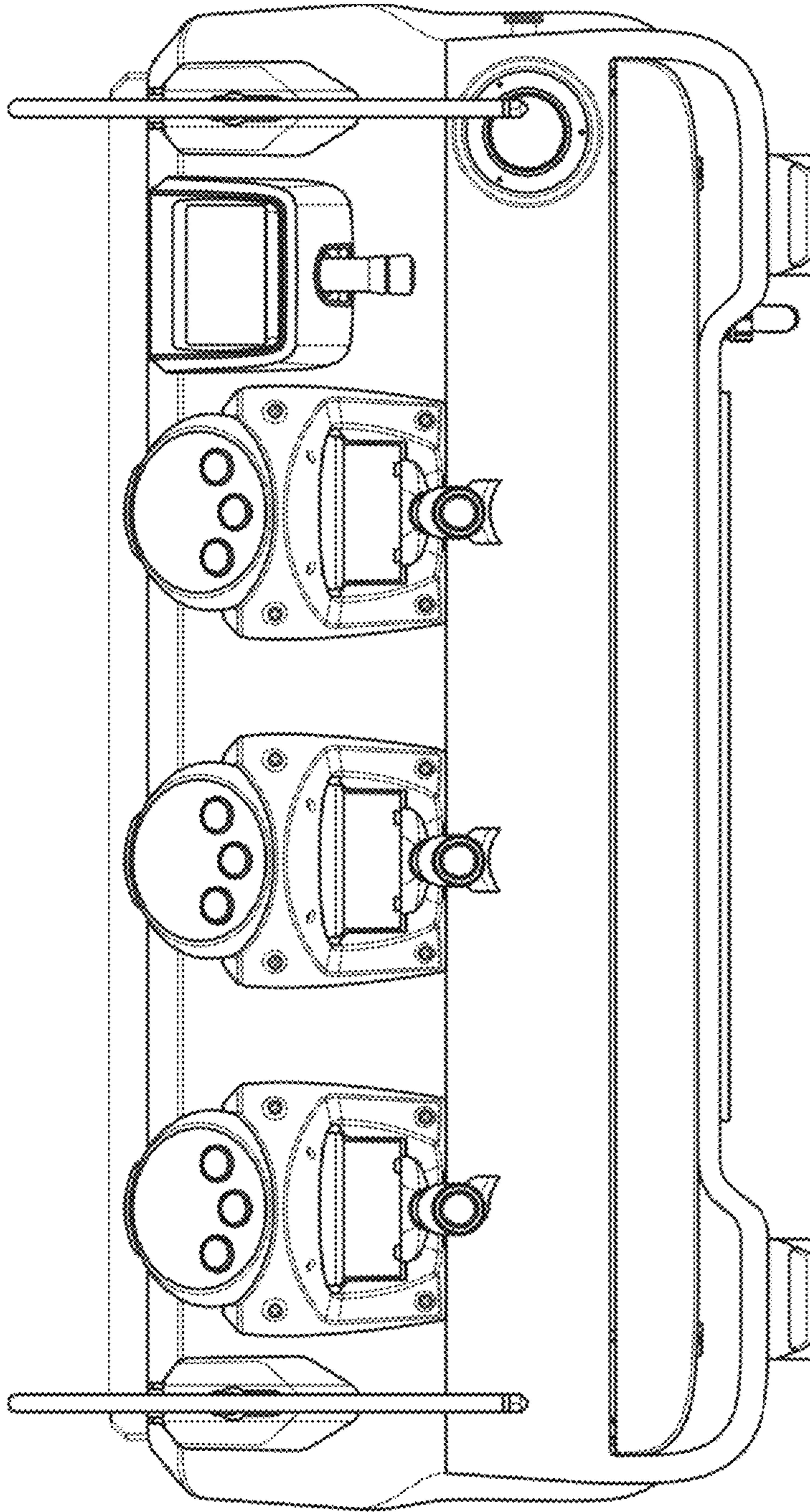


FIG. 2

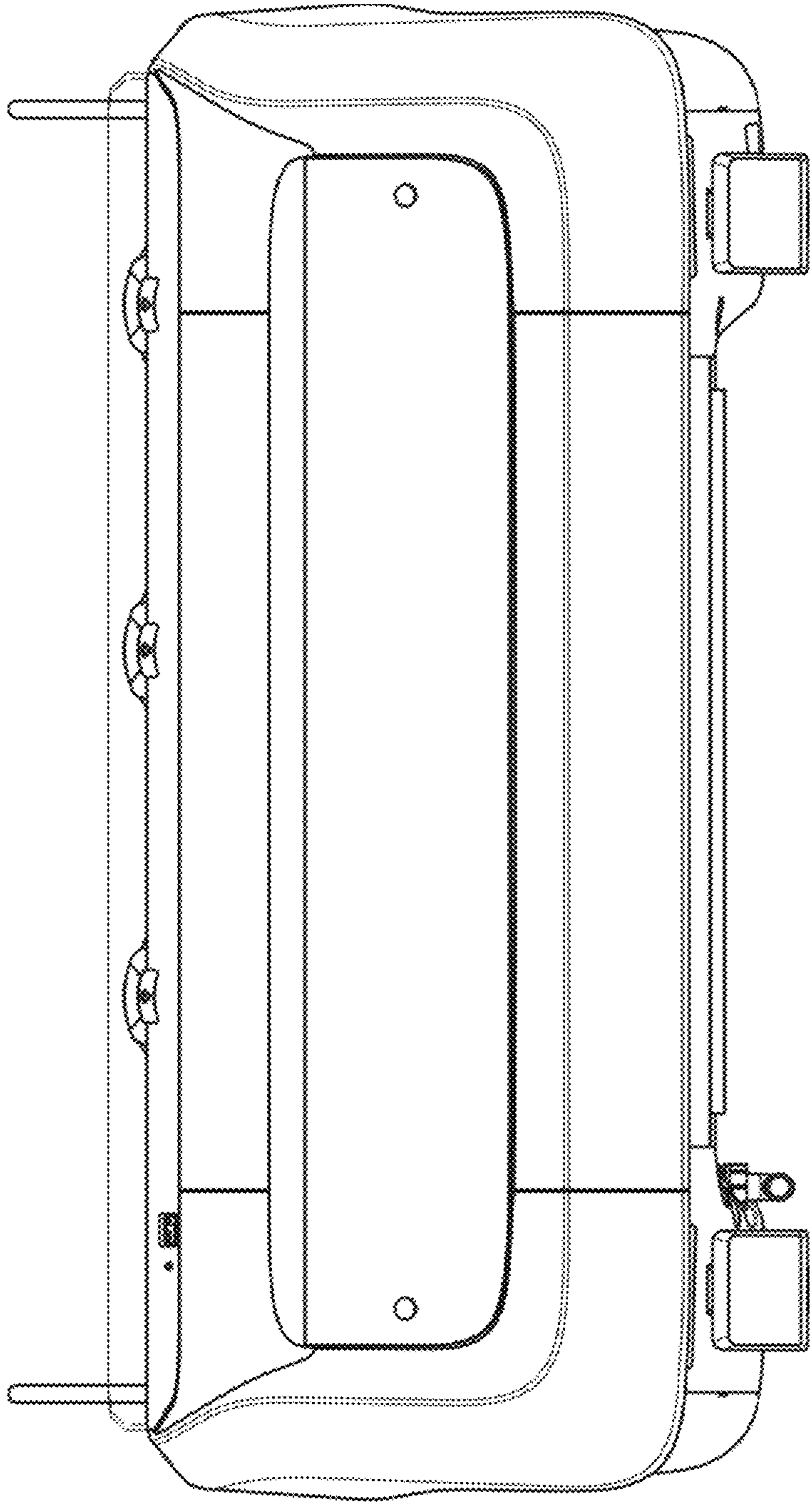


FIG. 3

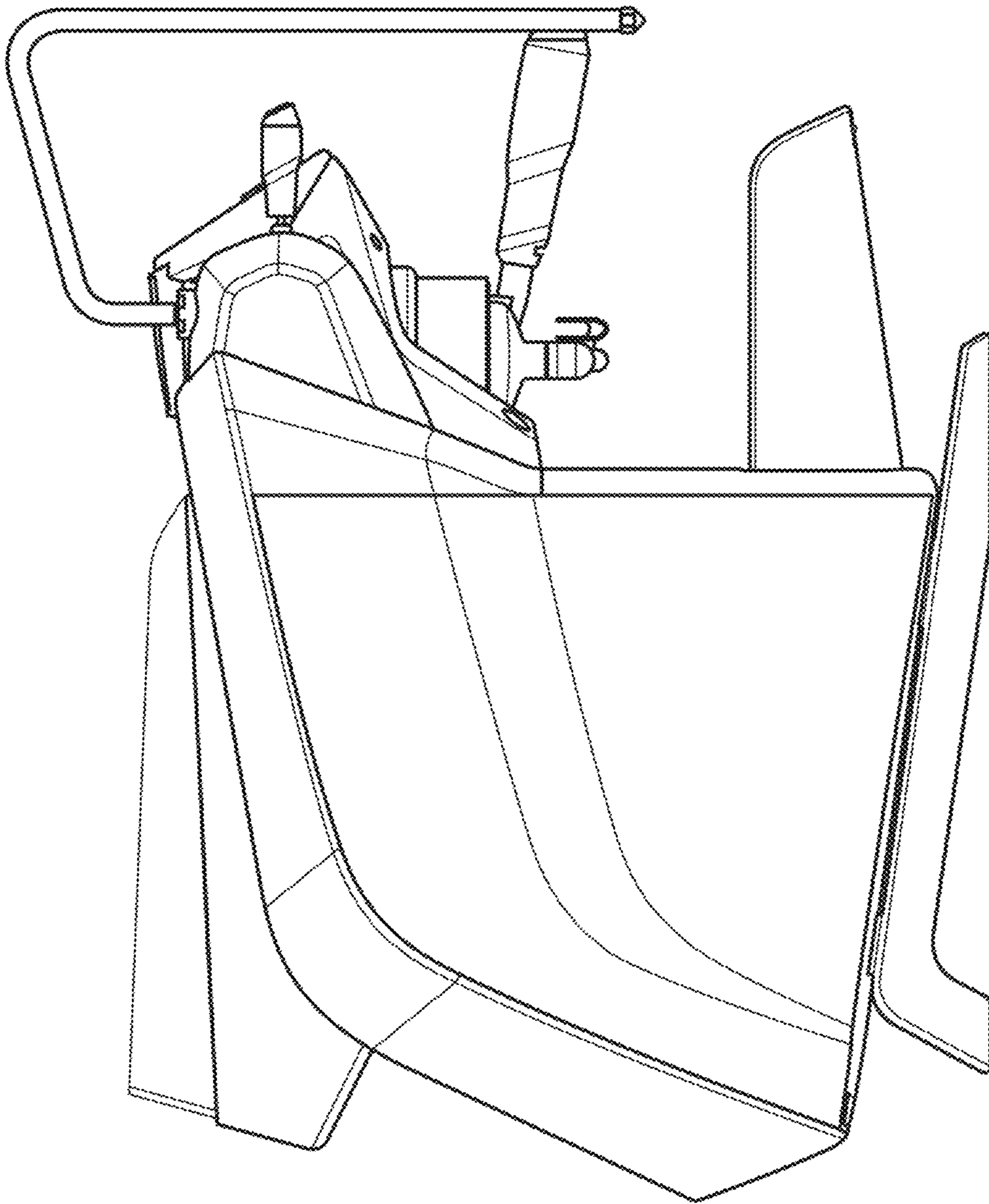


FIG. 4

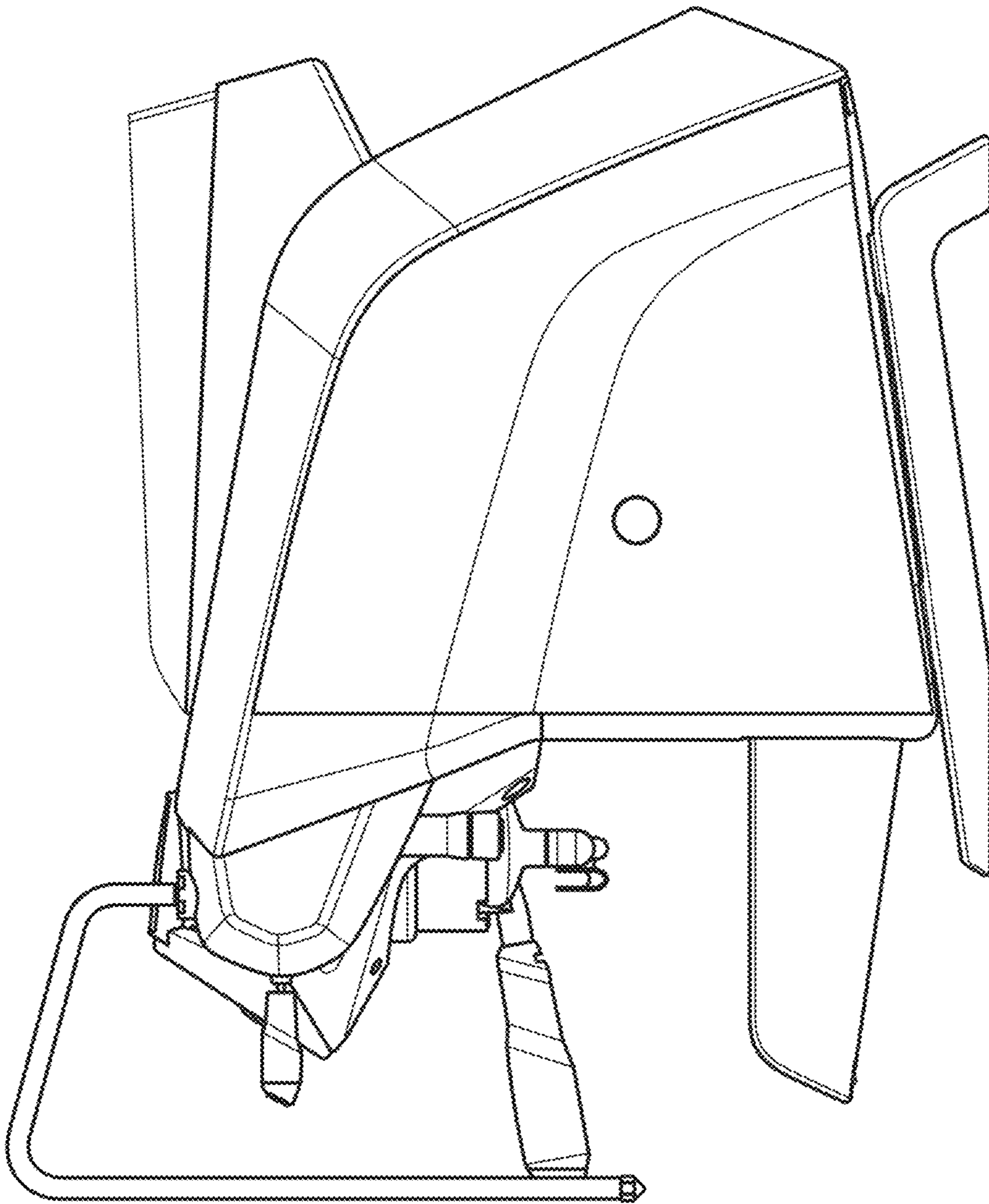


FIG. 5

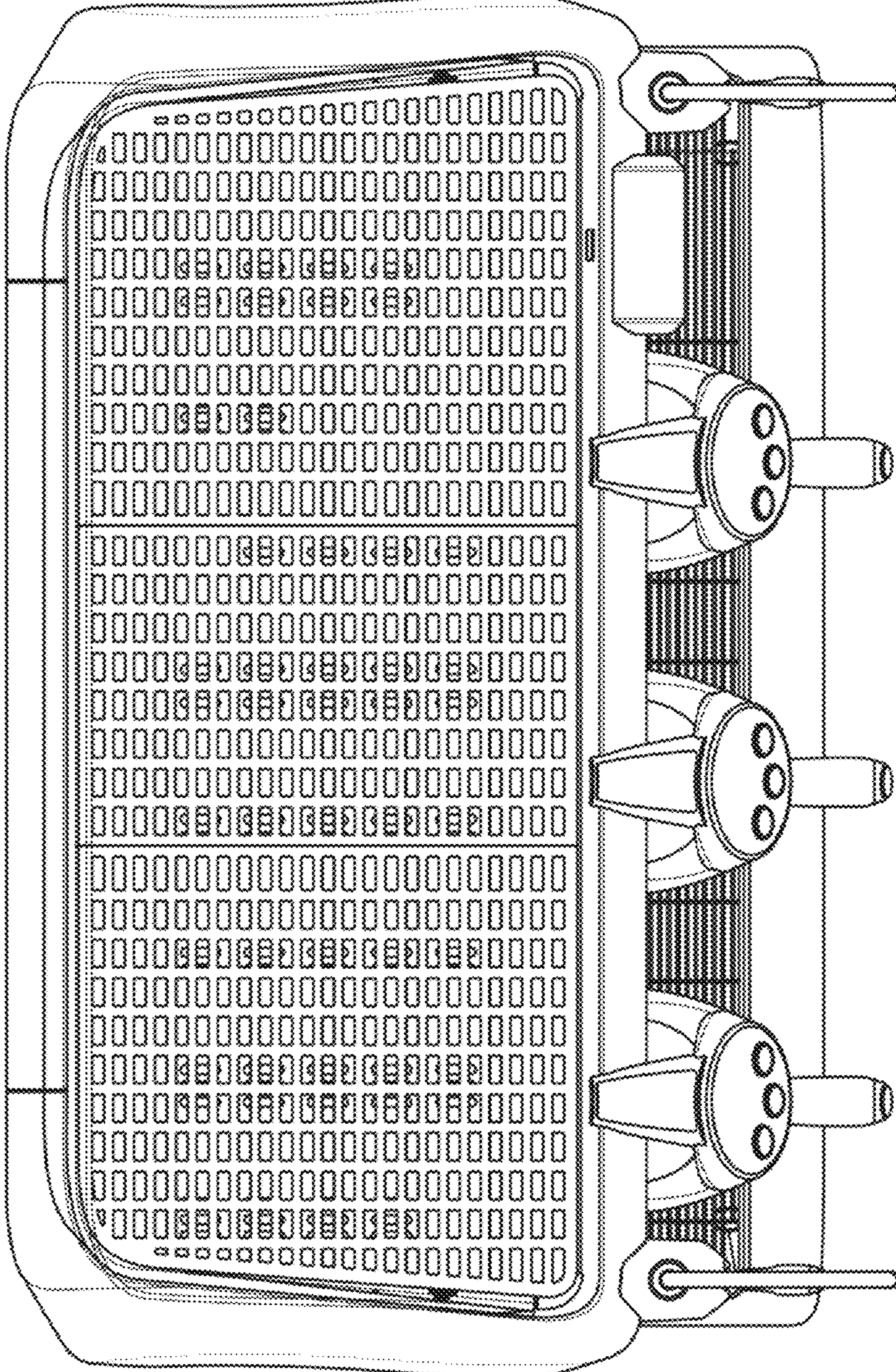


FIG. 6

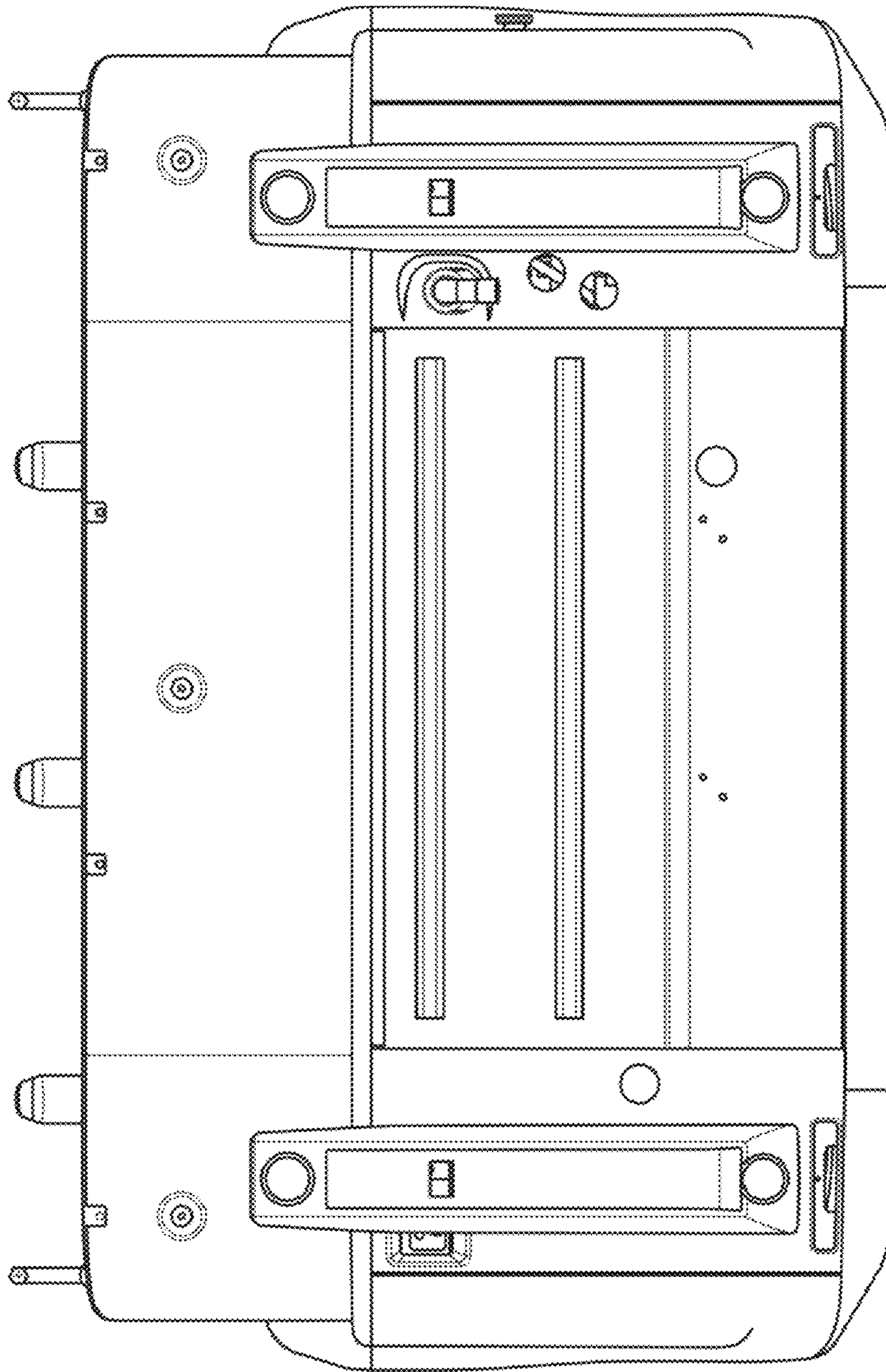


FIG. 7

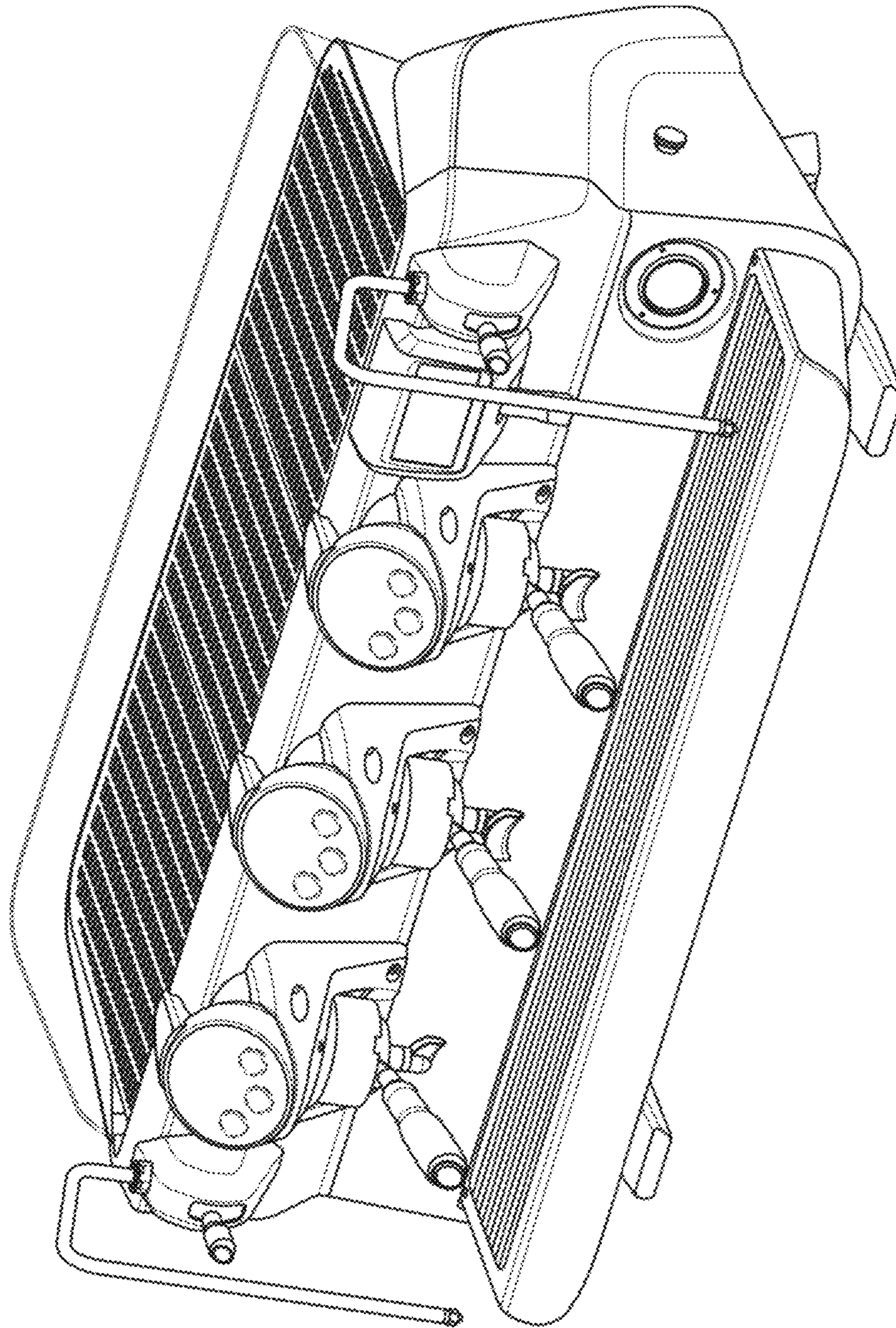


FIG. 8

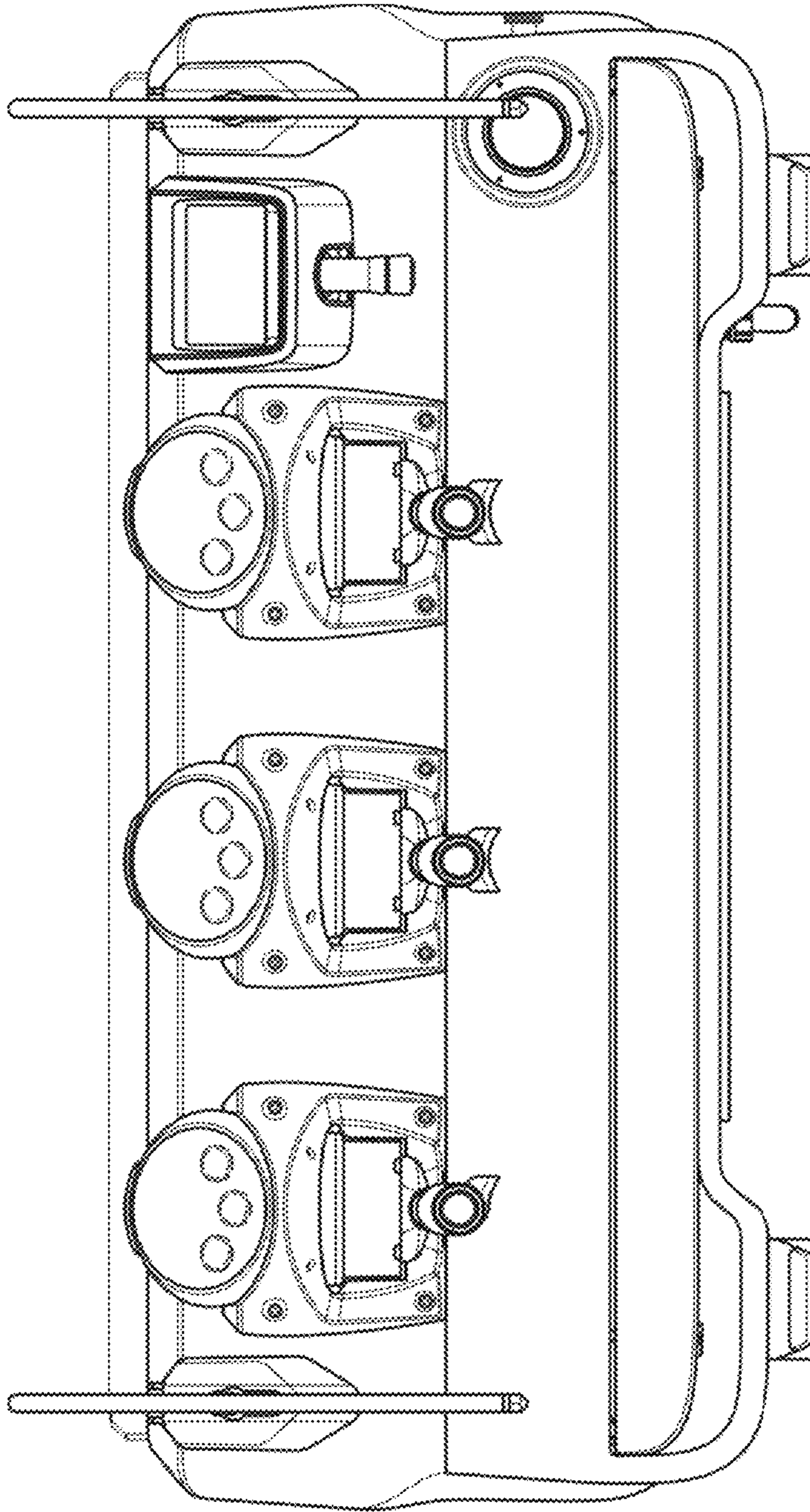


FIG. 9

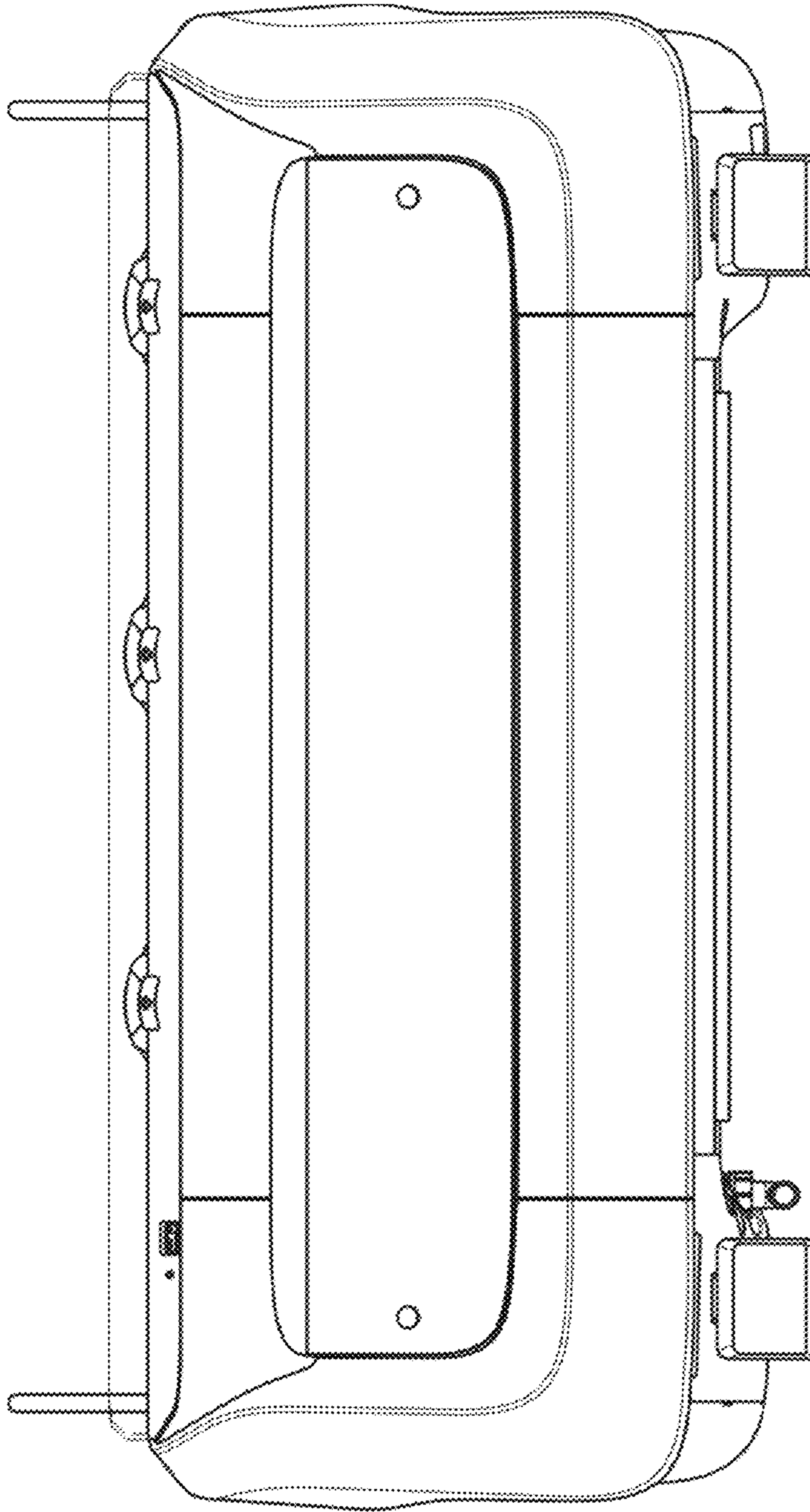


FIG. 10

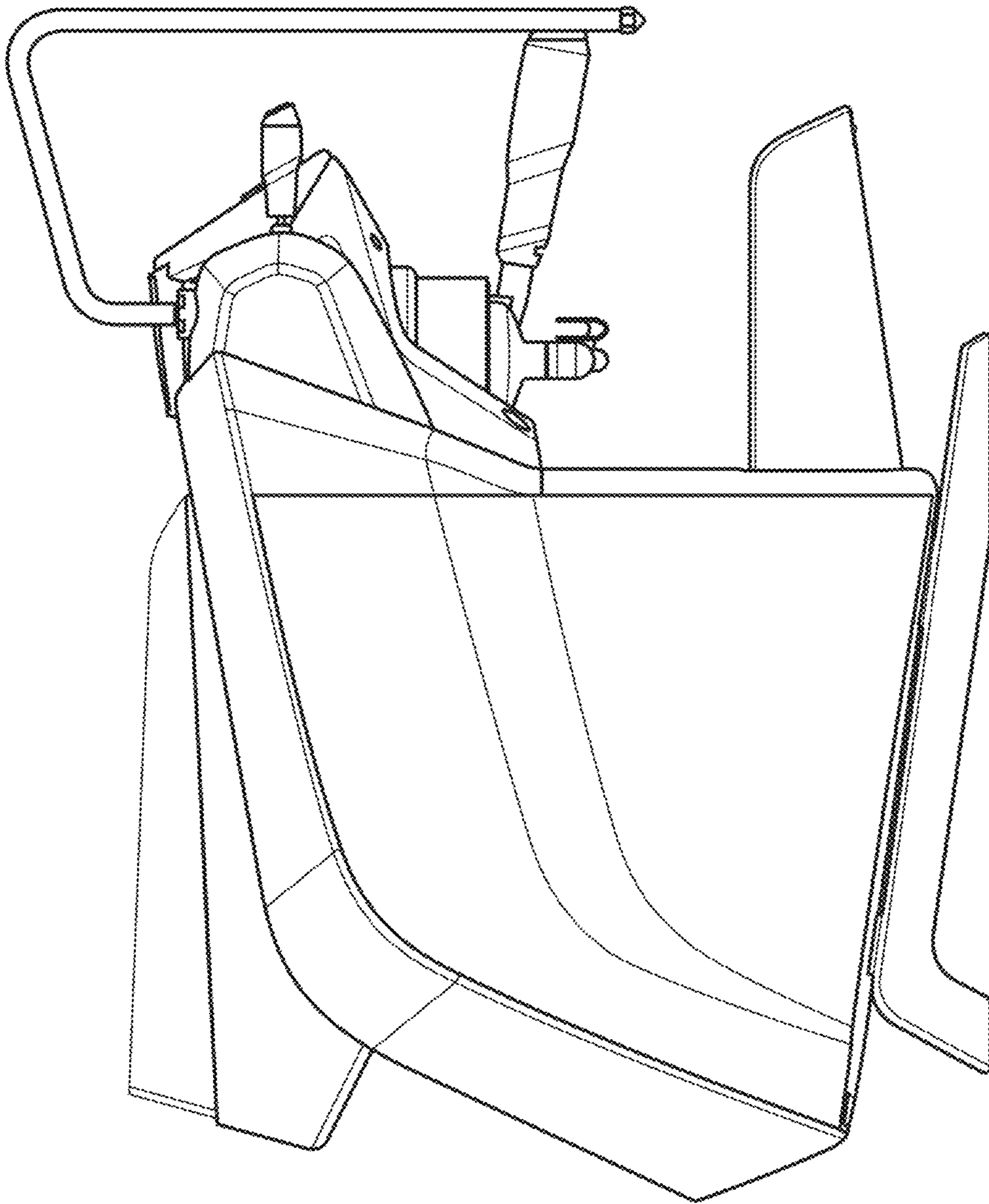


FIG. 11

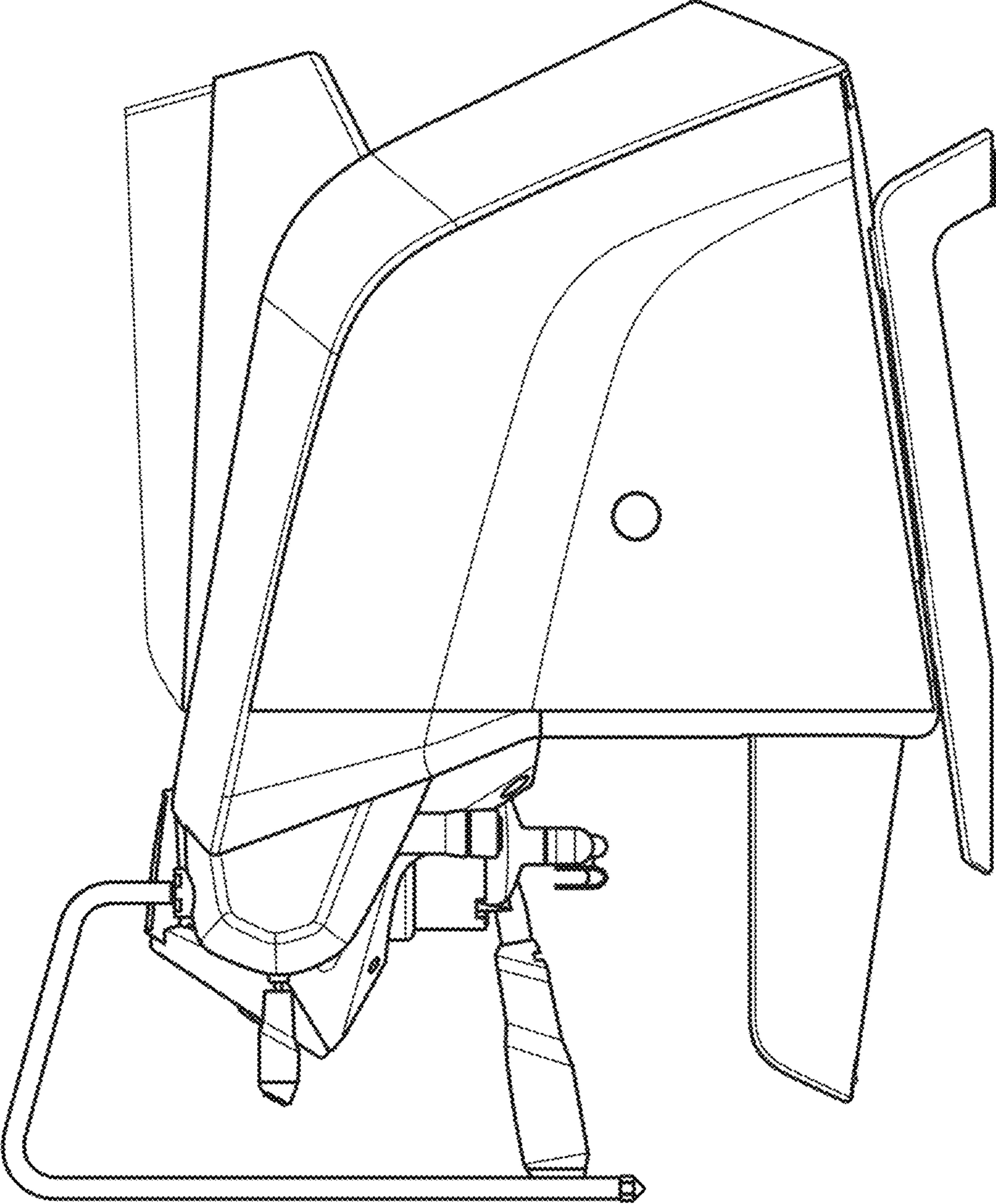


FIG. 12

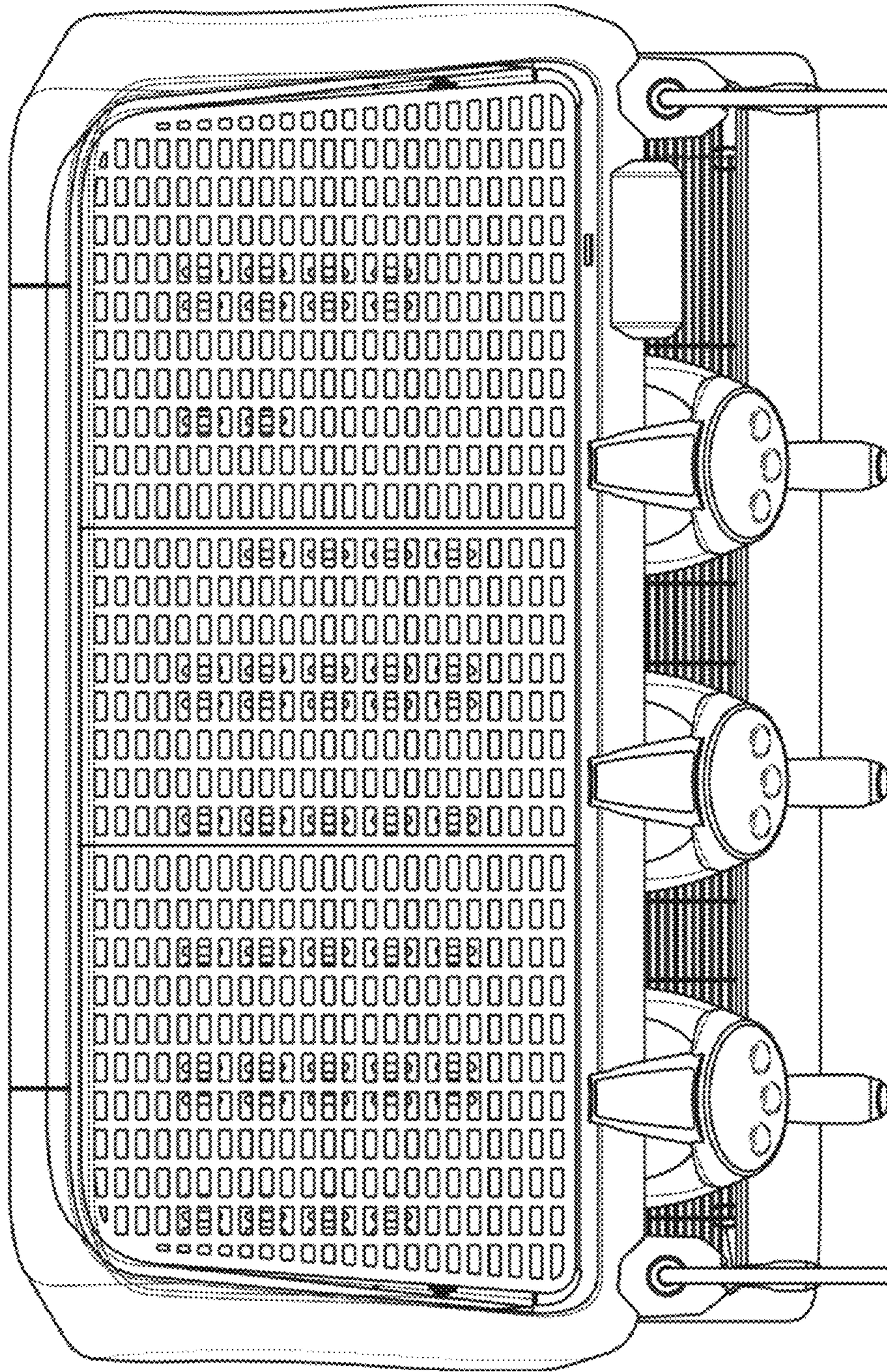


FIG. 13

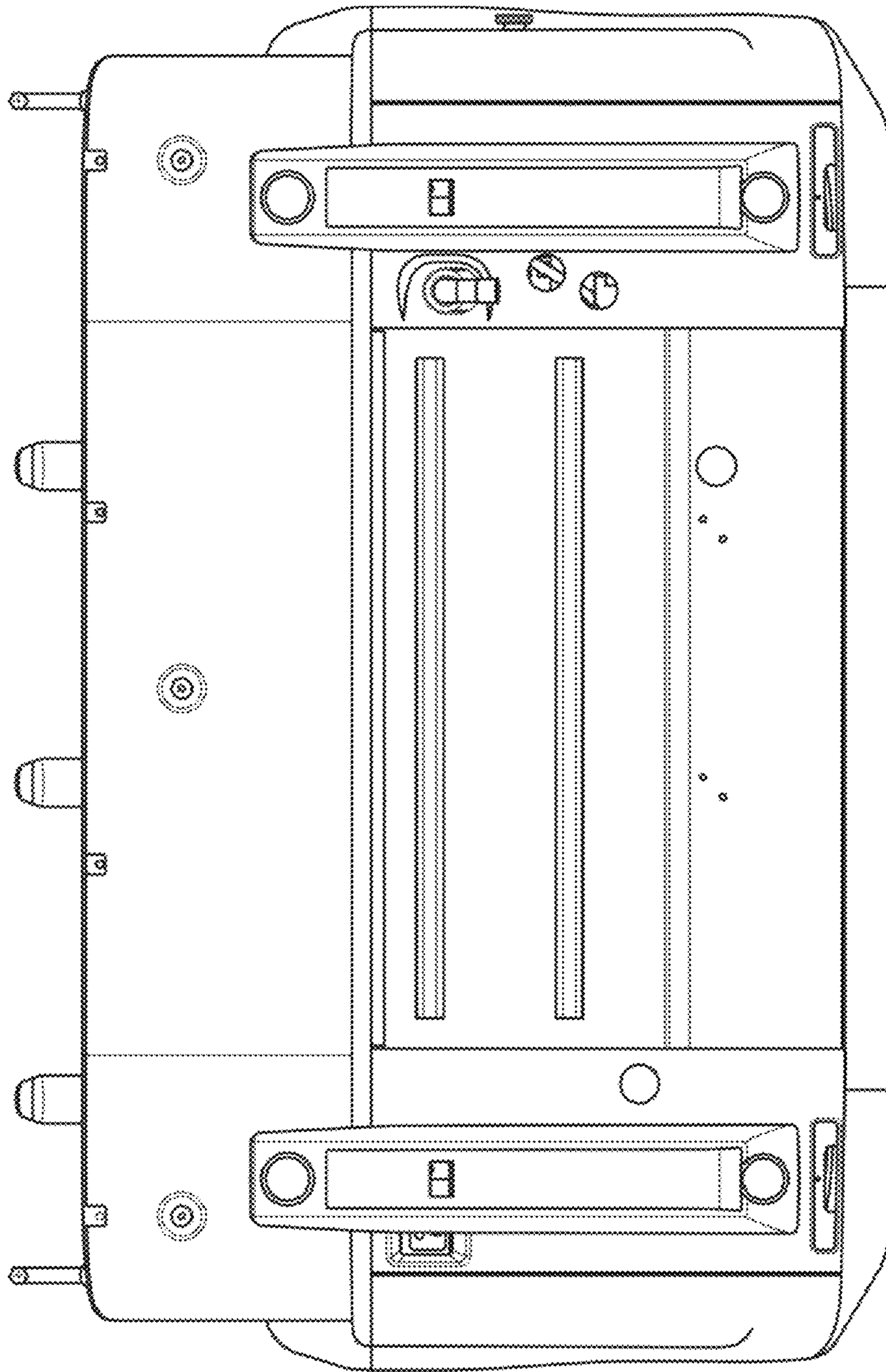


FIG. 14