



US00D883721S

(12) **United States Design Patent** (10) **Patent No.:** **US D883,721 S**  
**Pedersen et al.** (45) **Date of Patent:** **\*\* May 12, 2020**

(54) **DISPLAY RACK**  
(71) Applicant: **Target Brands, Inc.**, Minneapolis, MN (US)  
(72) Inventors: **Sara L. Pedersen**, Minneapolis, MN (US); **Scott E. Denby**, Minneapolis, MN (US)  
(73) Assignee: **Target Brands, Inc.**, Minneapolis, MN (US)

D288,509 S \* 3/1987 van de Oudeweetering ..... D6/682  
D464,508 S \* 10/2002 Wilfer ..... D6/552  
D613,092 S \* 4/2010 Eason ..... D6/682  
D640,485 S \* 6/2011 Dugger ..... D6/681.1  
D677,941 S \* 3/2013 Liska ..... D6/682  
8,770,535 B1 \* 7/2014 Yu ..... G10G 5/00  
211/85.6  
D735,412 S \* 7/2015 Coleman ..... D28/54  
D782,227 S \* 3/2017 Hepburn ..... D6/674  
D830,090 S \* 10/2018 Etelaaho ..... D6/681.2  
2017/0042322 A1 \* 2/2017 Labrosse ..... A47B 21/02

(\*\*) Term: **15 Years**

\* cited by examiner

(21) Appl. No.: **29/661,617**

*Primary Examiner* — Kelley A Donnelly

(22) Filed: **Aug. 29, 2018**

(74) *Attorney, Agent, or Firm* — Leanne Taveggia Farrell; Westman, Champlin & Koehler, P.A.

(51) **LOC (12) Cl.** ..... **06-06**

(57) **CLAIM**

(52) **U.S. Cl.**  
USPC ..... **D6/678**

The ornamental design for a display rack, as shown and described.

(58) **Field of Classification Search**  
USPC ..... D6/672, 678, 682, 682.1, 682.2, 512; D5/99; D32/58, 60

**DESCRIPTION**

CPC ..... A47B 53/00; A47B 55/00; A47B 63/00; A47B 61/003; A47B 81/00; A47B 97/02; A47F 7/0042; A47F 7/16; B25H 3/04; B65G 3/00

FIG. 1 is a front perspective view of a display rack showing our new design;  
FIG. 2 is a back perspective view thereof;  
FIG. 3 is a front view thereof;  
FIG. 4 is a back view thereof;  
FIG. 5 is a right side view thereof, the left side view being a mirror image; and,  
FIG. 6 is a top view thereof.

See application file for complete search history.

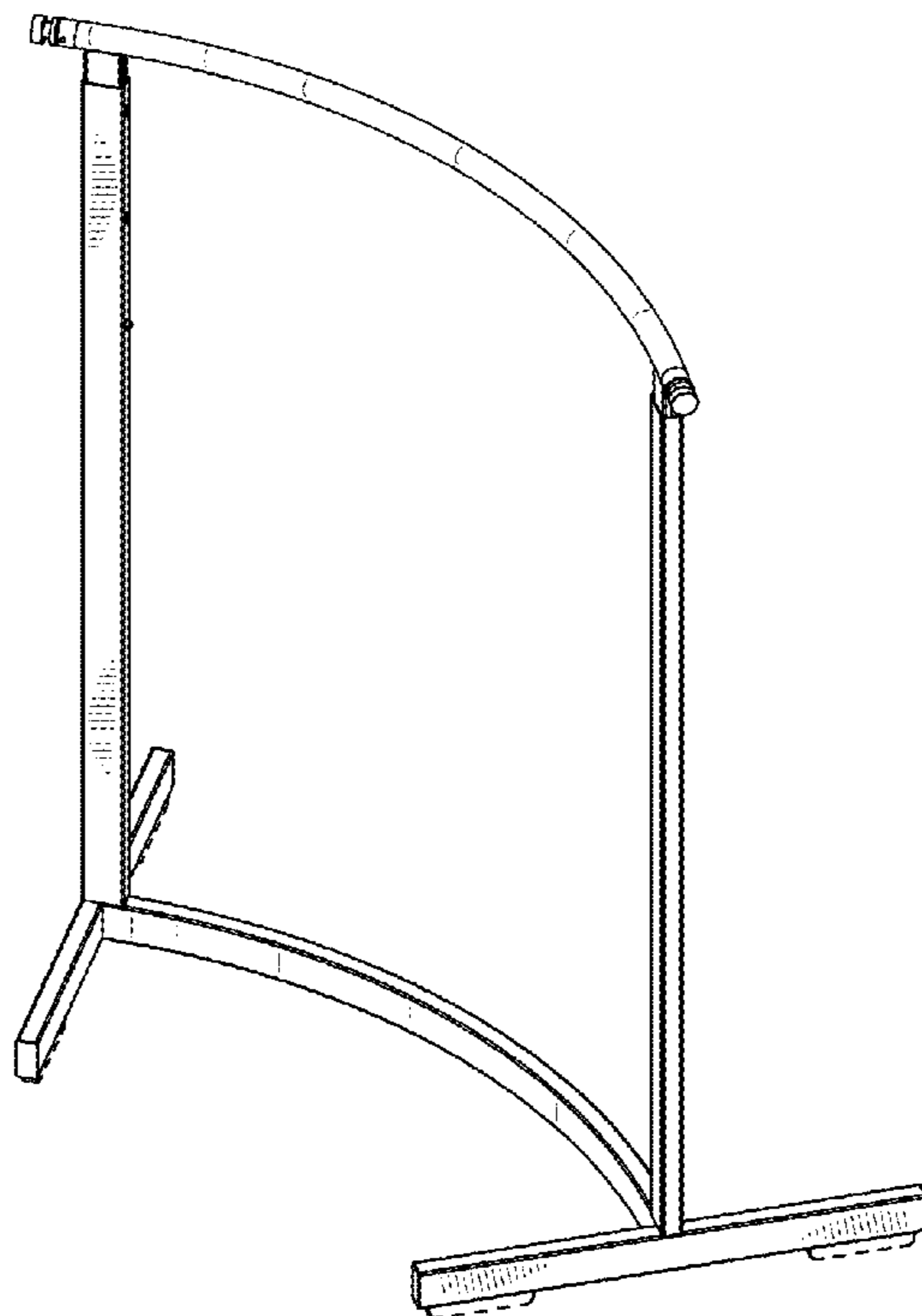
The broken lines shown in the drawings are included for purposes of illustrating portions of the display rack and form no part of the claimed design.

(56) **References Cited**

U.S. PATENT DOCUMENTS

D44,078 S \* 5/1913 Treadway ..... D6/682.4  
3,550,786 A \* 12/1970 Brown ..... A47F 5/12  
211/189  
D278,670 S \* 5/1985 Schoenig ..... D6/681.1

**1 Claim, 4 Drawing Sheets**



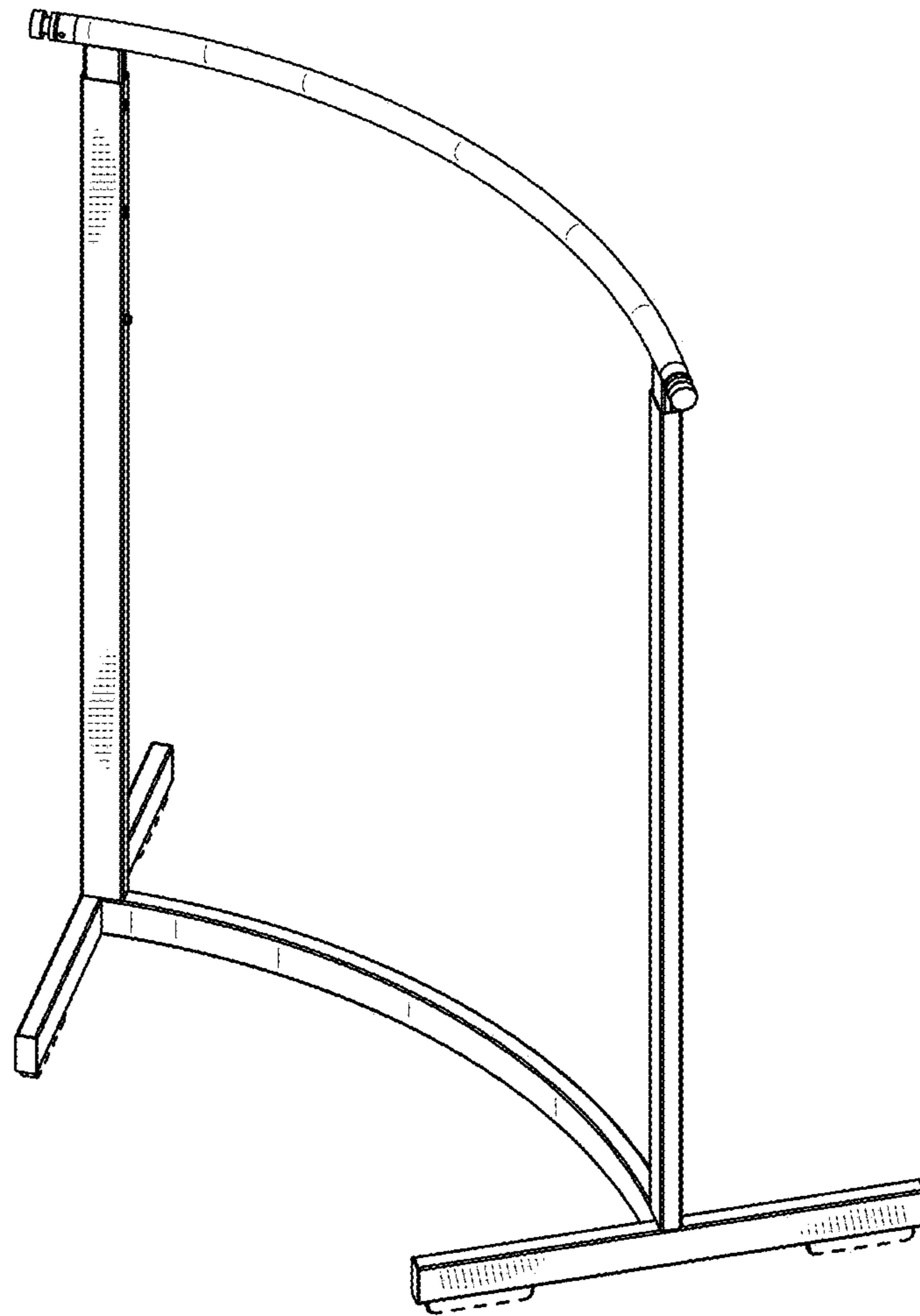


Fig. 1

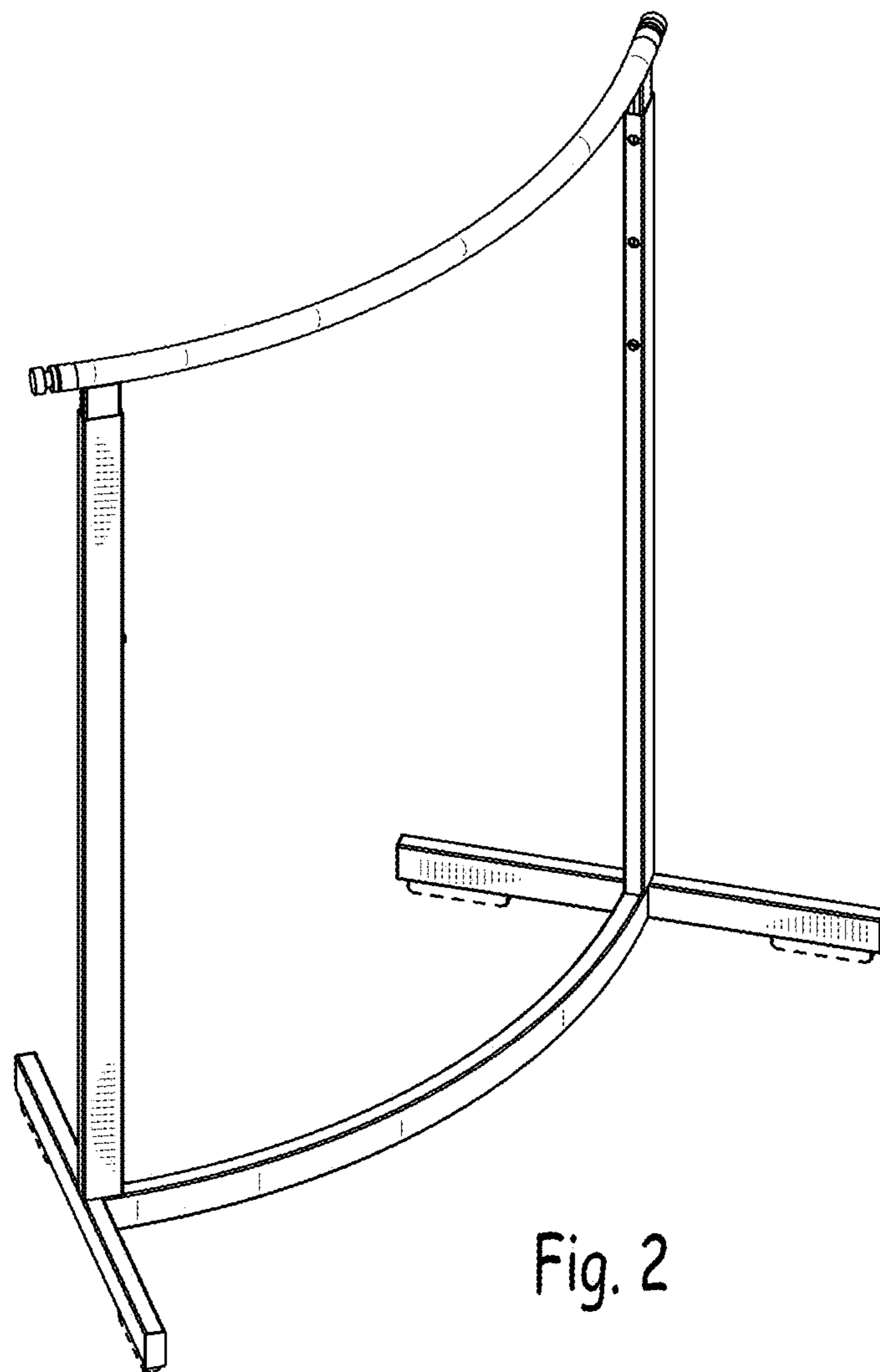


Fig. 2

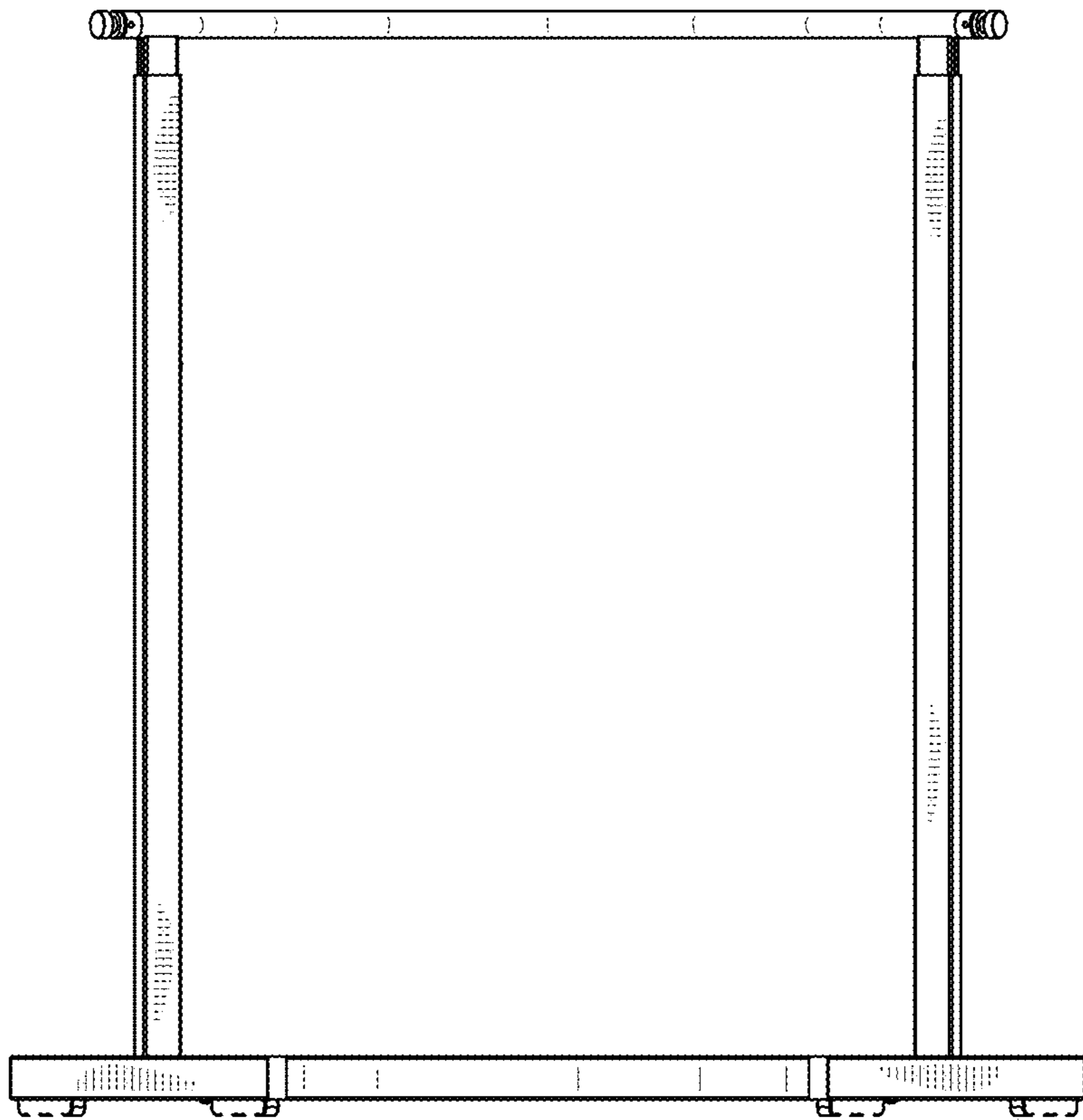


Fig. 3

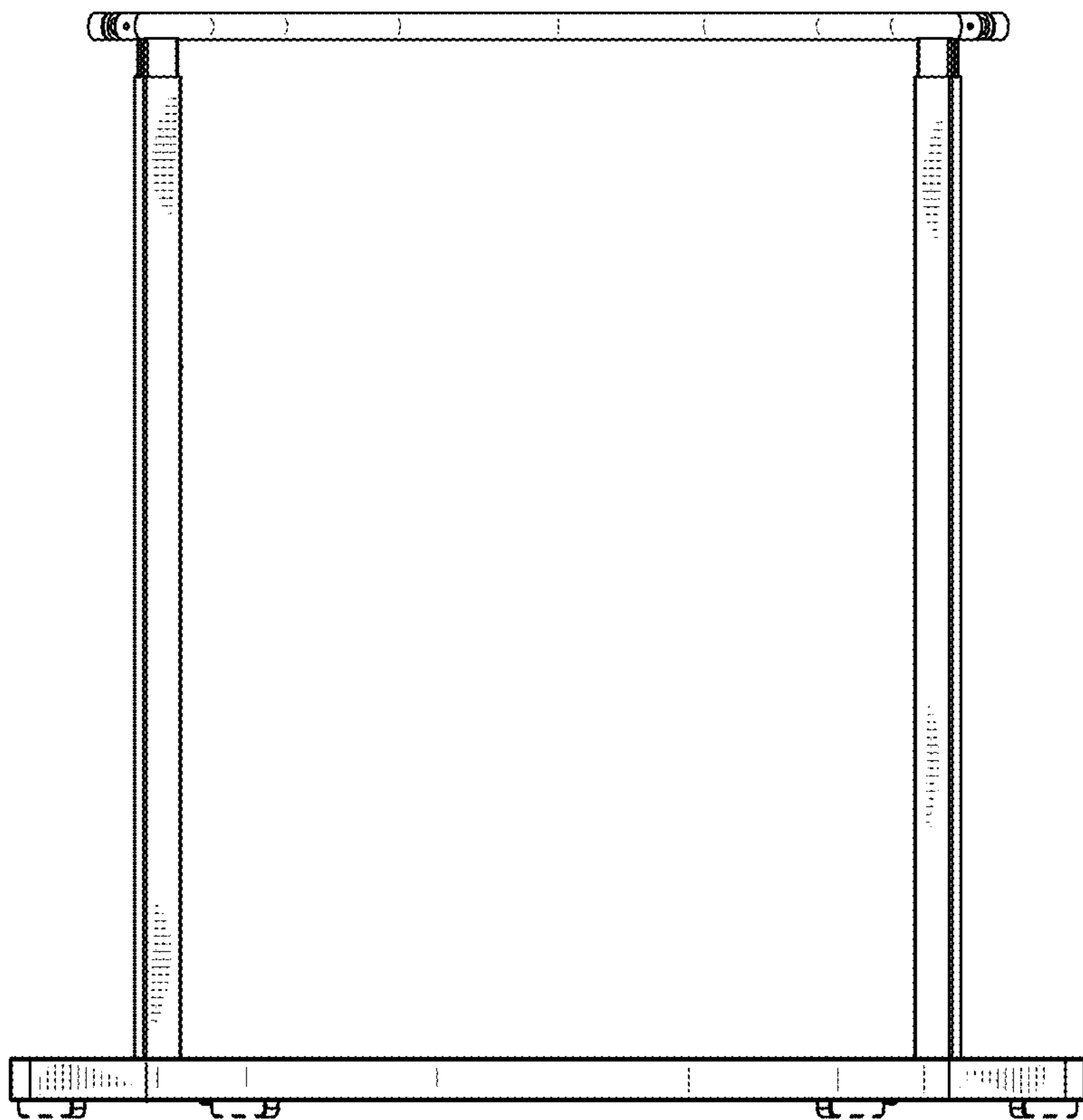


Fig. 4

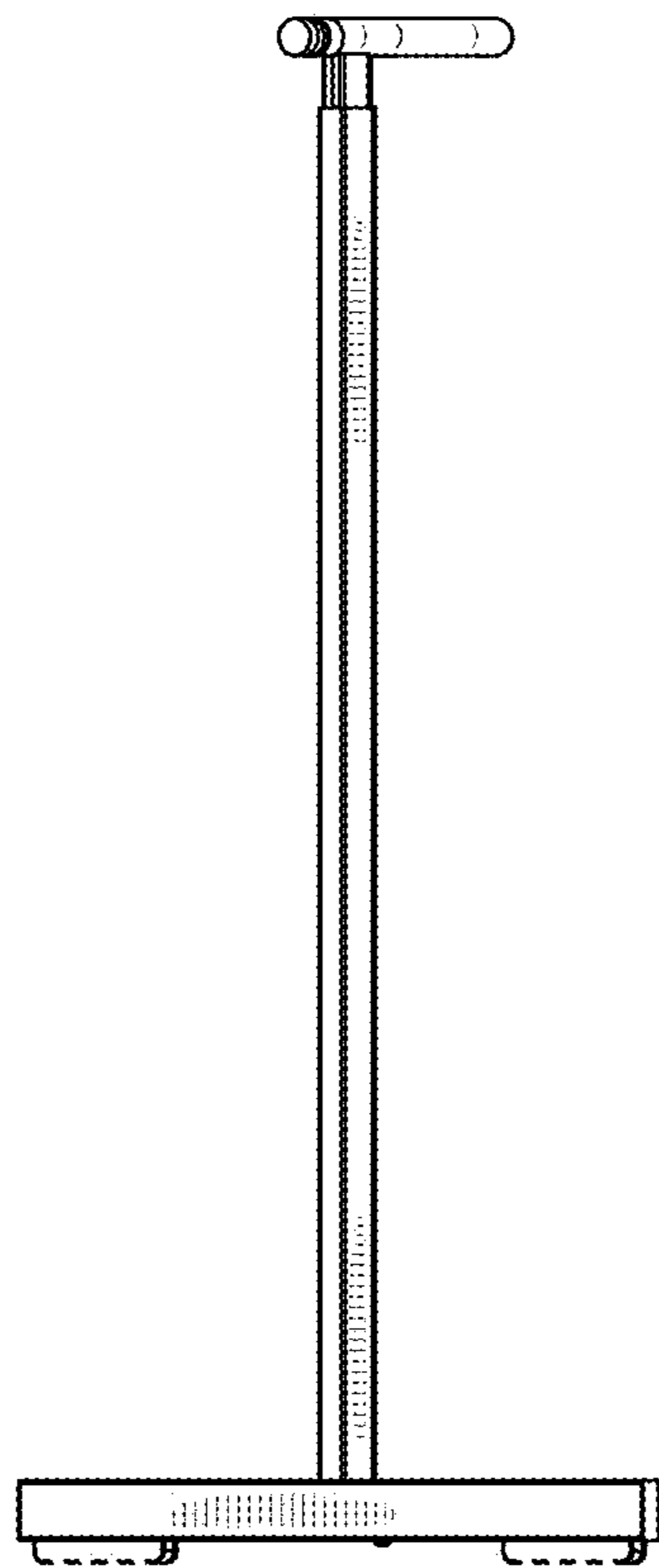


Fig. 5

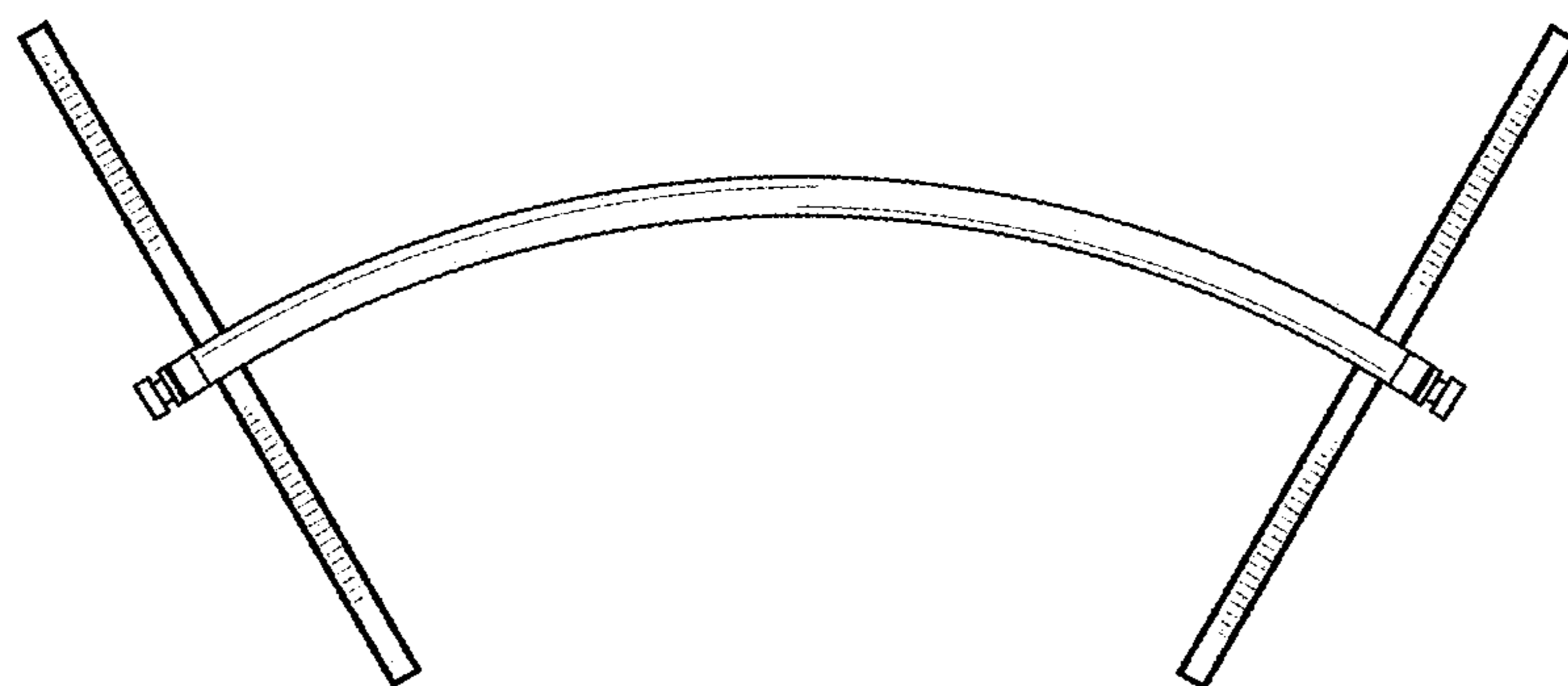


Fig. 6