



US00D883720S

(12) **United States Design Patent** (10) **Patent No.:** **US D883,720 S**
Johnson et al. (45) **Date of Patent:** **** May 12, 2020**

(54) **DISPLAY UNIT**

(71) Applicant: **Target Brands, Inc.**, Minneapolis, MN (US)

(72) Inventors: **Jason W. Johnson**, Wayzata, MN (US);
Jennifer A. Theisen, Crystal, MN (US)

(73) Assignee: **Target Brands, Inc.**, Minneapolis, MN (US)

(**) Term: **15 Years**

(21) Appl. No.: **29/679,969**

(22) Filed: **Feb. 12, 2019**

(51) **LOC (12) Cl.** **06-06**

(52) **U.S. Cl.**
USPC **D6/677.1**

(58) **Field of Classification Search**
USPC D6/672-673, 677, 677.1, 702, 705;
D7/601-602
CPC A47J 47/16; A47G 19/02; A47G 23/06;
A47F 5/0018; A47F 5/0043; A47F 5/04
See application file for complete search history.

D362,787 S * 10/1995 Burke D7/501
D407,920 S 4/1999 Duffield
6,296,335 B1 10/2001 Compagnucci
D451,703 S 12/2001 All
6,520,352 B2 * 2/2003 Mondragon A47F 5/02
211/129.1
D480,581 S 10/2003 Searer
6,688,239 B1 * 2/2004 Pettini A47B 7/02
108/50.11
7,144,610 B1 * 12/2006 Estes A47B 97/00
428/19
D549,985 S 9/2007 Carroll
D561,539 S 2/2008 Snider et al.
D577,962 S 10/2008 Bauer et al.
D601,365 S 10/2009 LaValley et al.
D603,187 S 11/2009 Conway
D605,353 S 12/2009 Lee et al.
D614,002 S * 4/2010 Heap D7/610
D642,405 S 8/2011 Frohne
D656,758 S 4/2012 Snider
D664,010 S * 7/2012 Goode D7/610
8,813,661 B2 * 8/2014 Fakahany A47B 87/0246
108/92

(Continued)

Primary Examiner — Kelley A Donnelly
(74) *Attorney, Agent, or Firm* — Leanne Taveggia Farrell;
Westman, Champlin & Koehler, P.A.

(56) **References Cited**

U.S. PATENT DOCUMENTS

197,931 A * 12/1877 Haight A47B 11/00
108/94
1,908,797 A * 5/1933 Svalland A47B 49/004
312/305
D149,046 S 3/1948 Blumenthal et al.
D200,117 S * 1/1965 Kolarik D7/590
3,169,496 A * 2/1965 Muggli A47G 23/08
108/94
3,951,079 A 4/1976 Tolleson
D241,192 S 8/1976 Salcer
D275,154 S 8/1984 Stoiber
D354,862 S 1/1995 Goldberg

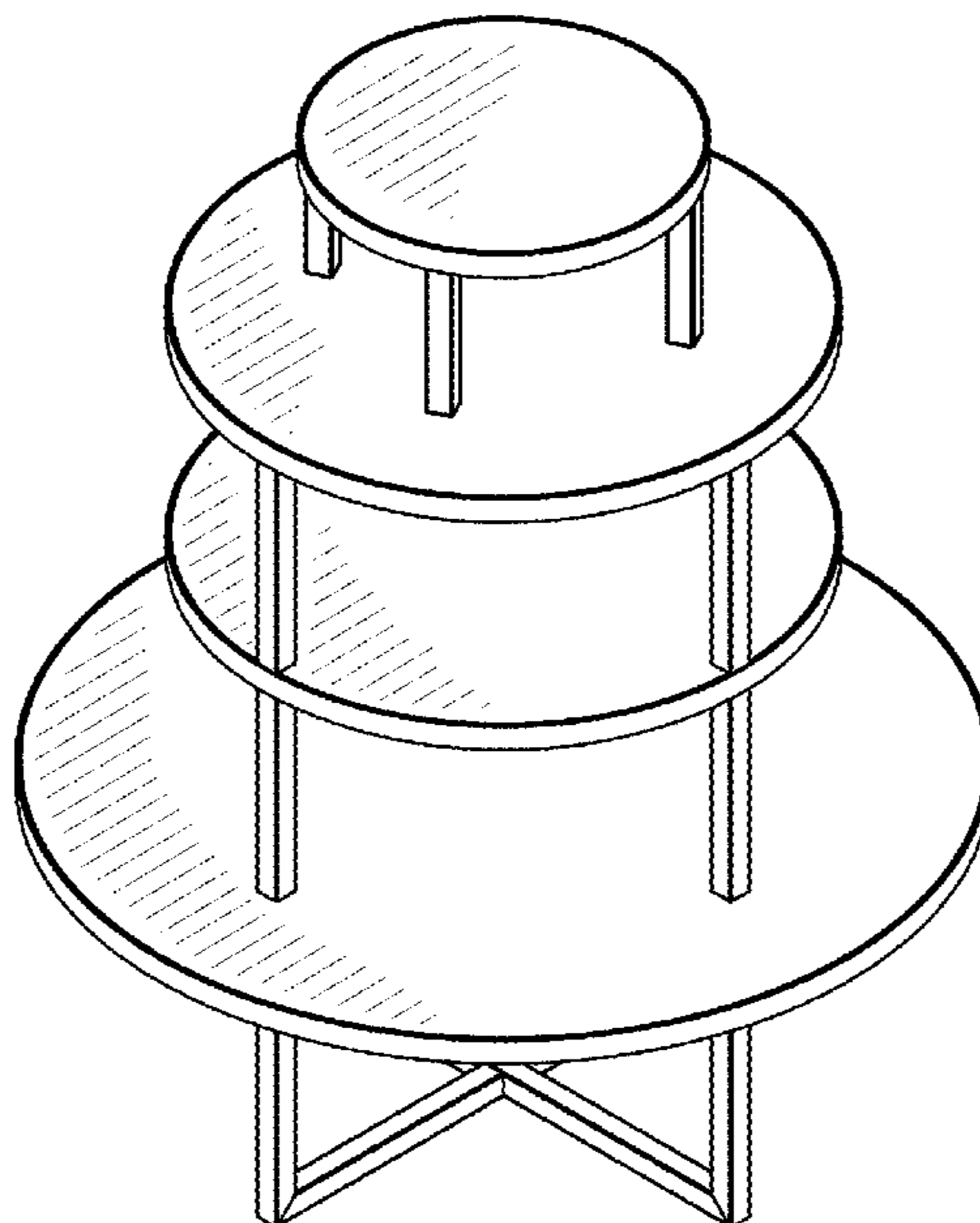
(57) **CLAIM**

The ornamental design for a display unit, as shown.

DESCRIPTION

FIG. 1 is a perspective view of a display unit showing our new design;
FIG. 2 is a top view thereof;
FIG. 3 is a front view thereof, the back view being a mirror image; and,
FIG. 4 is a right side view thereof, the left side view being a mirror image.

1 Claim, 4 Drawing Sheets



(56)

References Cited

U.S. PATENT DOCUMENTS

9,345,344 B1 * 5/2016 Arabi-Beam A47F 5/108
D764,812 S * 8/2016 Lekic D6/315
D765,183 S * 8/2016 Lowery D21/336
D774,597 S 12/2016 Lowery
D793,129 S 8/2017 Bertault et al.
D793,130 S 8/2017 Ellison et al.
D811,135 S 2/2018 Malik et al.
D813,952 S * 3/2018 Siepmann D21/336
D818,291 S 5/2018 Aguilera et al.
D818,746 S 5/2018 Carder et al.
D830,746 S 10/2018 Johnson et al.
D849,460 S * 5/2019 Simone D6/677.3
D859,039 S * 9/2019 Pedersen D6/675.4
D868,485 S * 12/2019 Thelusma D6/315
2006/0175944 A1 * 8/2006 Peters B25H 3/025
312/249.11
2010/0330240 A1 * 12/2010 Jeffery A21C 15/00
426/383
2014/0339185 A1 11/2014 Ellison et al.

* cited by examiner

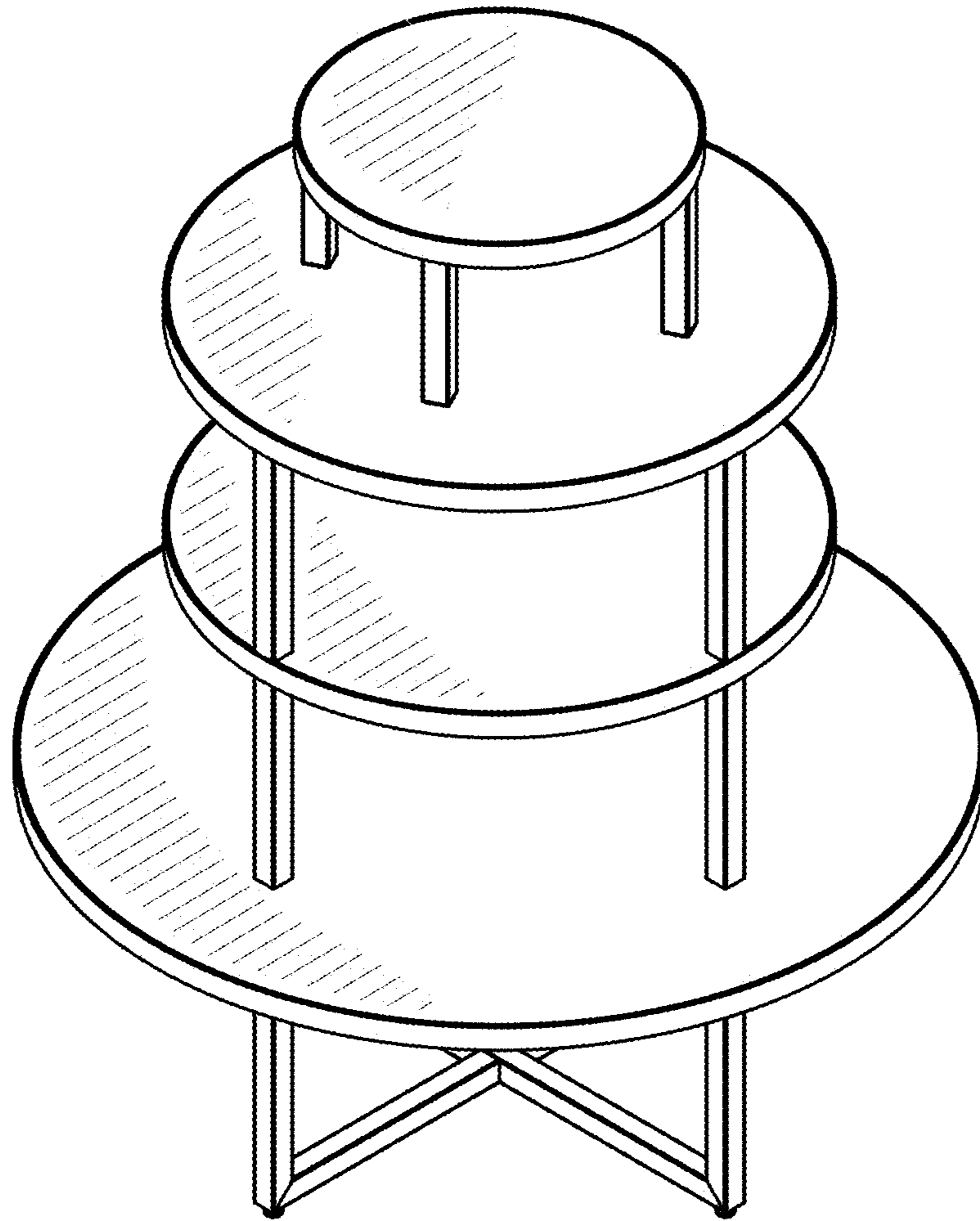


Fig. 1

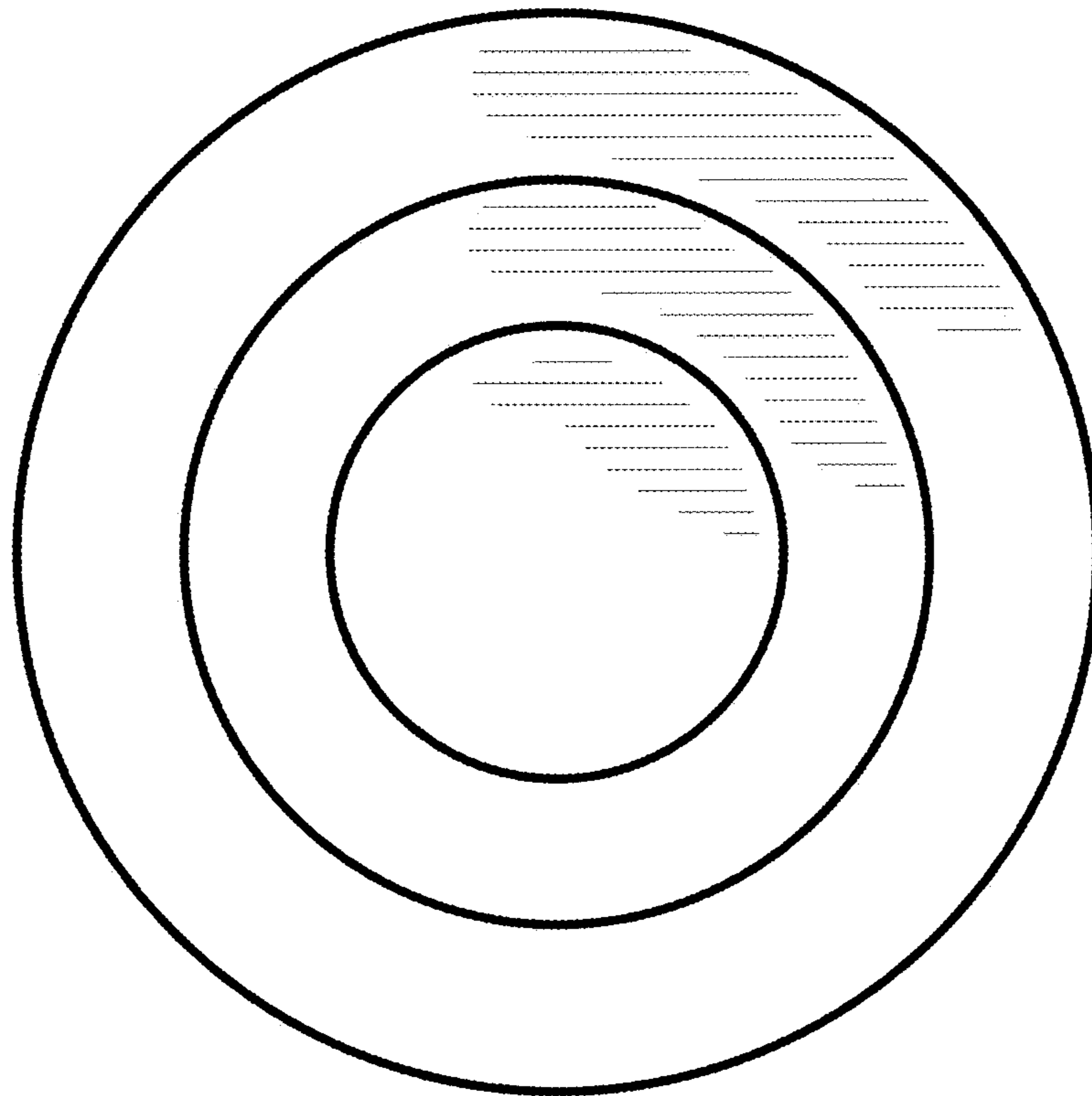


Fig. 2

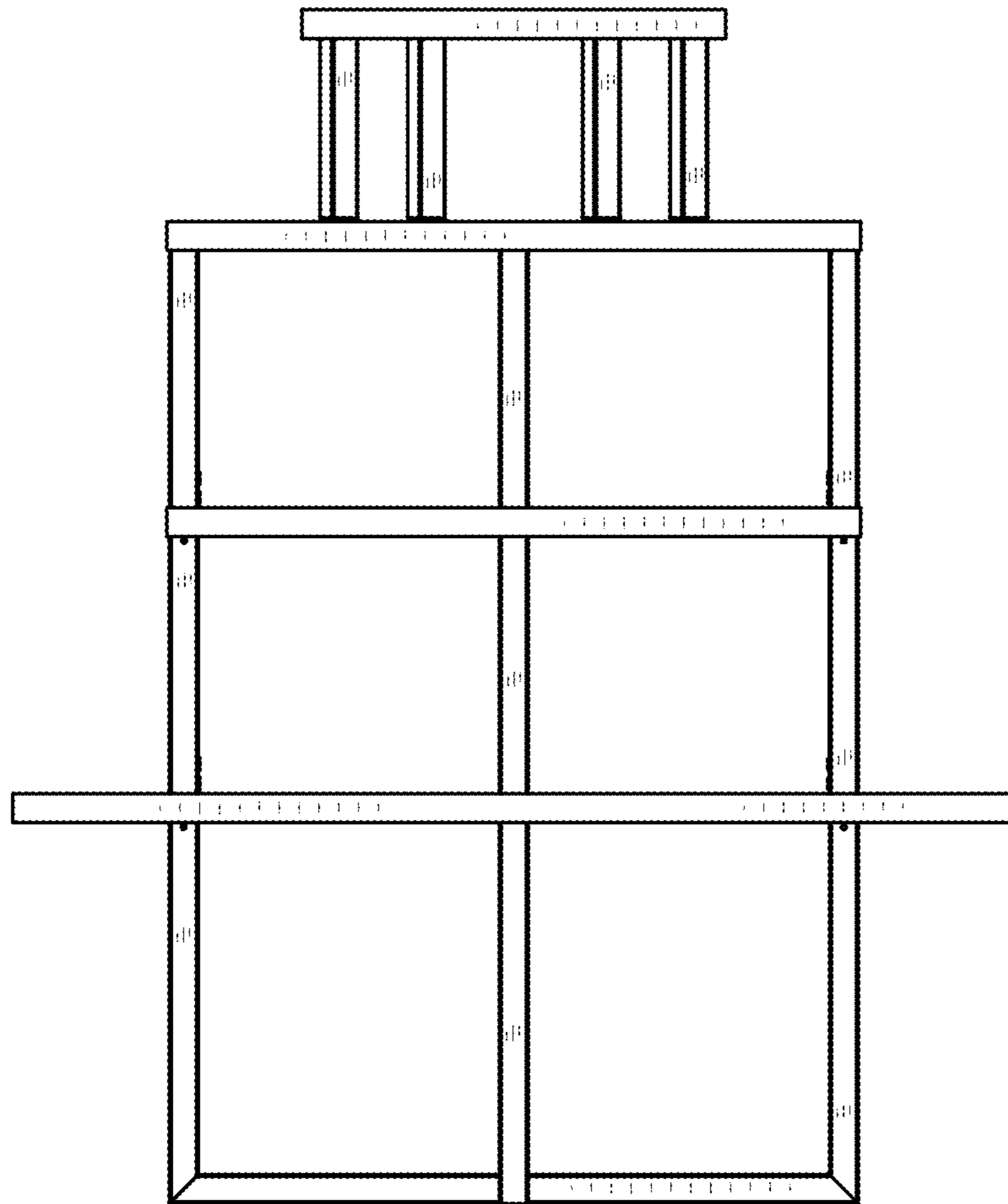


Fig. 3

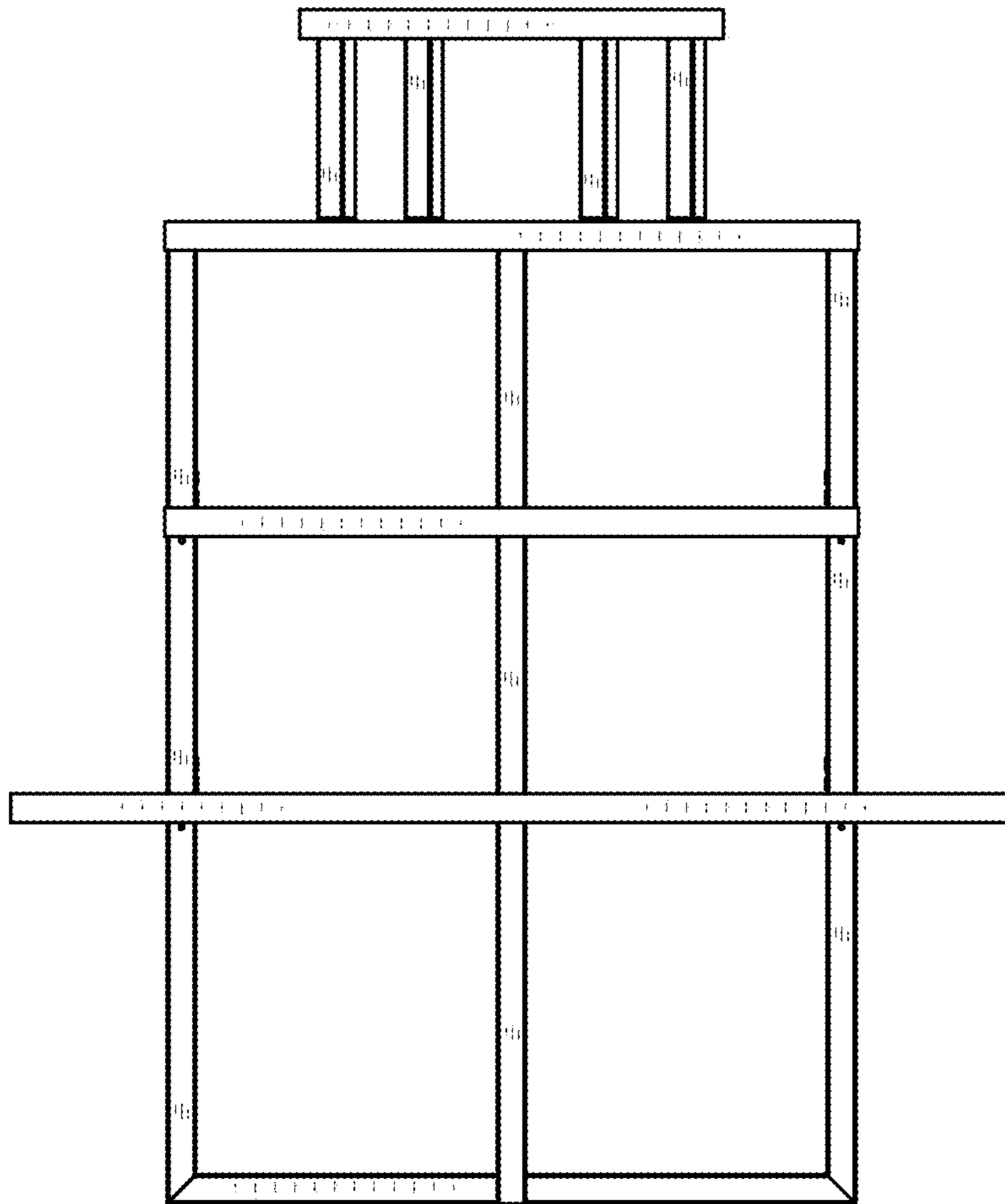


Fig. 4