



US00D883719S

(12) **United States Design Patent**
Li

(10) **Patent No.:** **US D883,719 S**

(45) **Date of Patent:** **** May 12, 2020**

(54) **STORAGE RACK**

(71) Applicant: **FAYIN E-COMMERCE (HONG KONG) LIMITED**, Wan Chai (HK)

(72) Inventor: **Mingduo Li**, Guangdong (CN)

(**) Term: **15 Years**

(21) Appl. No.: **29/720,146**

(22) Filed: **Jan. 10, 2020**

(51) **LOC (12) Cl.** **06-06**

(52) **U.S. Cl.**
USPC **D6/675.1**

(58) **Field of Classification Search**
USPC D6/672, 675, 675.1, 675.2, 675.3, 675.4, 675.5
CPC .. A47F 1/00; A47F 3/00; A47F 3/0439; A47F 3/06; A47F 5/0018; A47F 5/0081; A47B 96/00; A47B 96/02; A47B 47/00; A47B 47/021
See application file for complete search history.

(56) **References Cited**

U.S. PATENT DOCUMENTS

D49,624 S *	9/1916	Rought	D6/682.6
1,687,613 A *	10/1928	Hernacki	A47G 25/0664
				211/204
3,565,020 A *	2/1971	Schier	A47B 96/028
				108/152
D247,592 S *	3/1978	Eisen	D6/673
D248,915 S *	8/1978	Brandenfels	D6/672
D311,099 S *	10/1990	Yau Kee	D6/300
D363,834 S *	11/1995	Thompson	D6/662.1
D415,365 S *	10/1999	Nicklas	D6/684
D436,263 S *	1/2001	Alcala	D6/336
D582,188 S *	12/2008	Martin	D6/552
D653,475 S *	2/2012	Thompson	D6/662.1
D692,701 S *	11/2013	Peggs	D6/675.1
D706,064 S *	6/2014	Ota	D6/675.3
D747,124 S *	1/2016	O'Donnell, Sr.	D6/662.1
D749,879 S *	2/2016	Wall	D6/680.3

D760,516 S *	7/2016	Yu	D6/680.2
D805,329 S *	12/2017	Rockwell	D6/675.3
D808,200 S *	1/2018	Davis	D6/675.1
D808,203 S *	1/2018	Davis	D6/675.3
D809,835 S *	2/2018	Greenspon	D6/681
D829,473 S *	10/2018	Mical	D6/681
D836,956 S *	1/2019	Tsuchiyama	D6/675.1
D860,689 S *	9/2019	Davis	D6/672
D864,627 S *	10/2019	Rockwell	D6/675
D866,229 S *	11/2019	Wu	
D871,116 S *	12/2019	Li	D6/675.1
D873,589 S *	1/2020	Pilat	D6/682.6
D874,191 S *	2/2020	Qi	D6/664
D874,194 S *	2/2020	Pilat	D6/682.6

OTHER PUBLICATIONS

<https://www.songmics.com/entryway-storage-coat-rack-uhsr86bx.html>.
*
<https://www.songmics.com/vintage-coat-shoe-rack-uhsr40b.html>.*

* cited by examiner

Primary Examiner — Kelley A Donnelly
(74) *Attorney, Agent, or Firm* — ZANIP

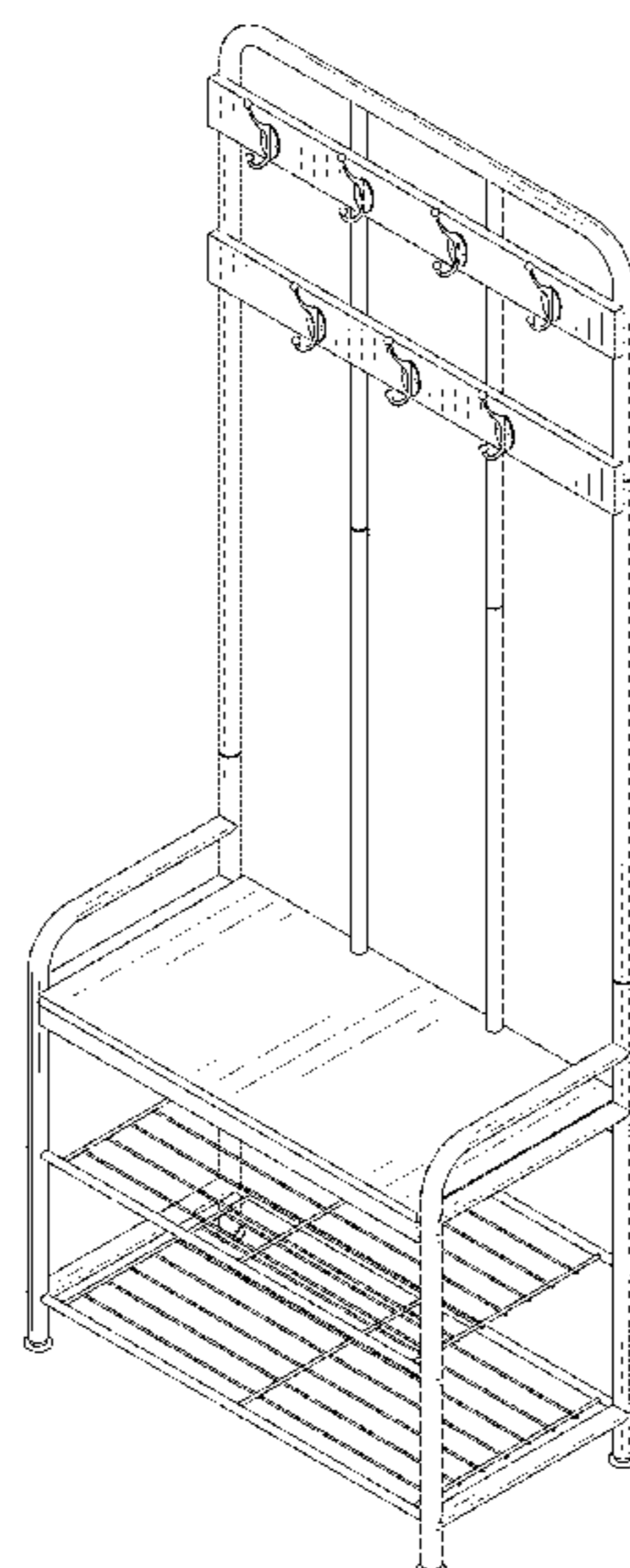
(57) **CLAIM**

The ornamental design for a storage rack, as shown and described.

DESCRIPTION

FIG. 1 is a front and top perspective view of a storage rack, showing my new design;
FIG. 2 is a front elevational view thereof;
FIG. 3 is a rear elevational view thereof;
FIG. 4 is a left side elevational view thereof;
FIG. 5 is a right side elevational view thereof;
FIG. 6 is a top plan view thereof; and,
FIG. 7 is a bottom plan view thereof.
The broken lines in the figures illustrate portions of the storage rack that form no part of the claimed design.

1 Claim, 7 Drawing Sheets



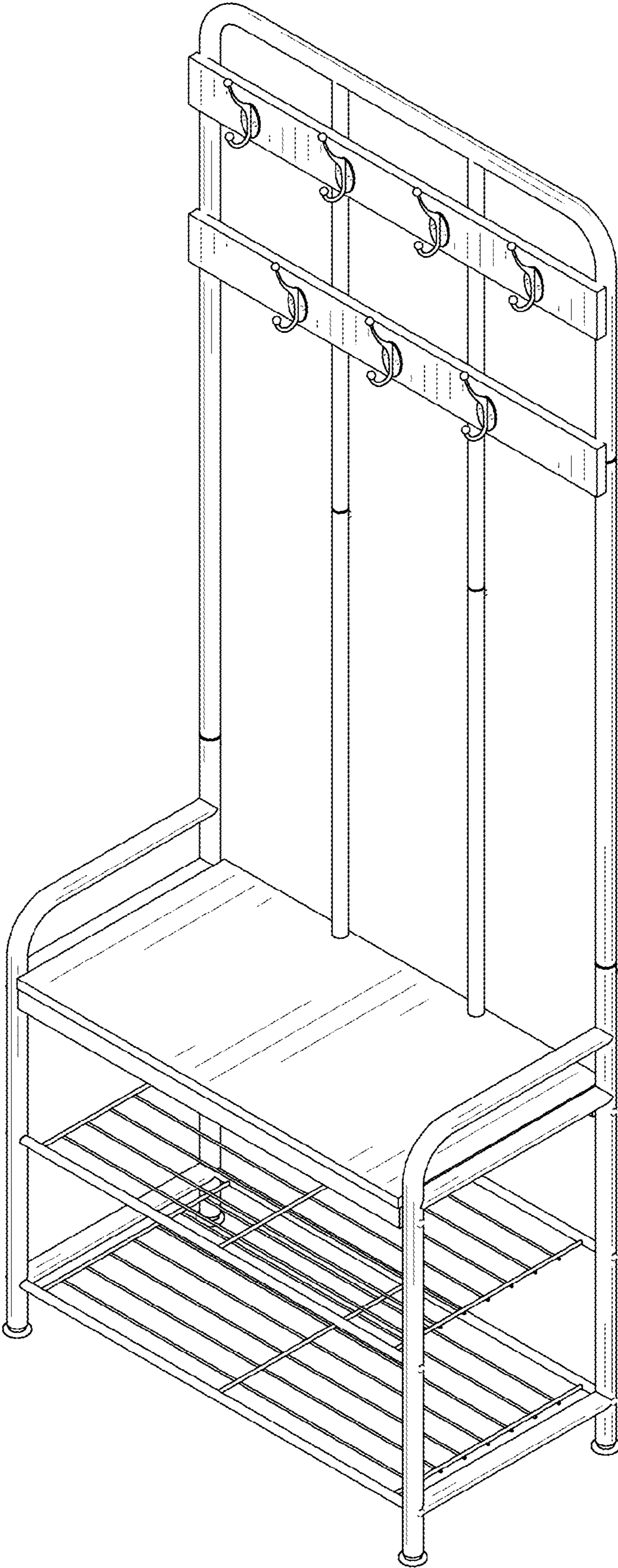


FIG. 1

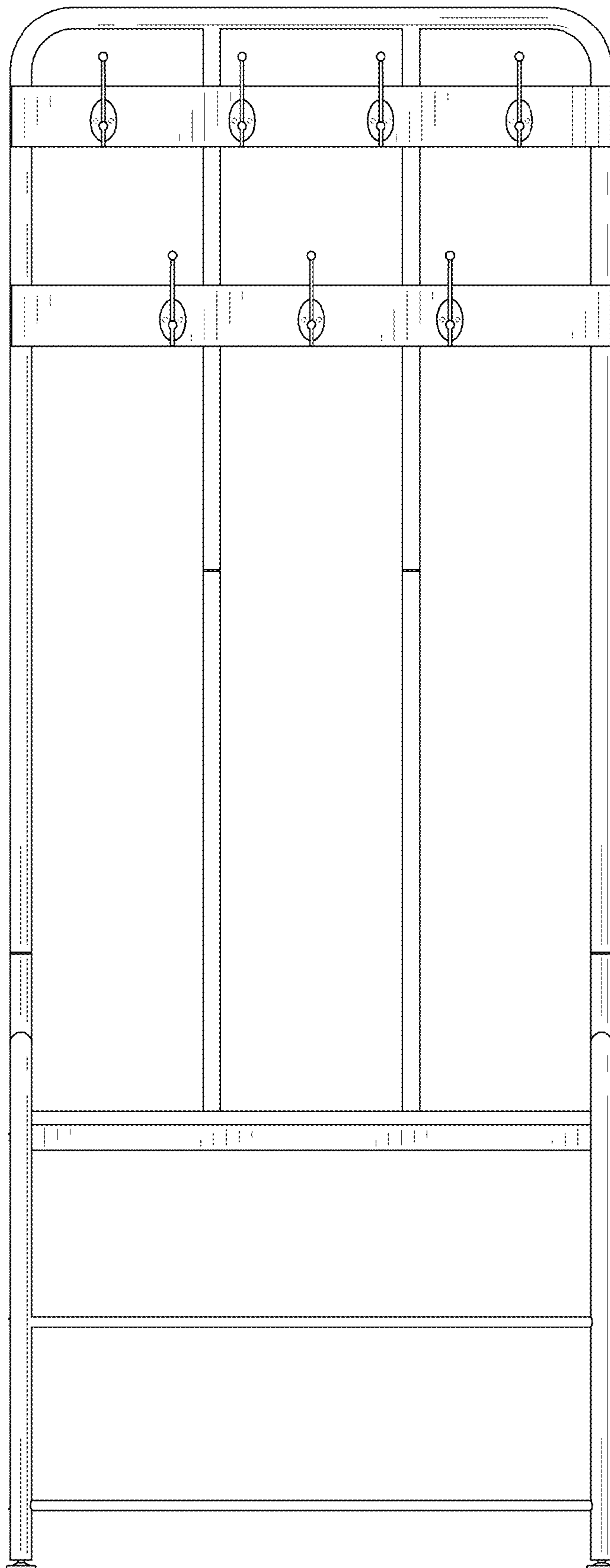


FIG. 2

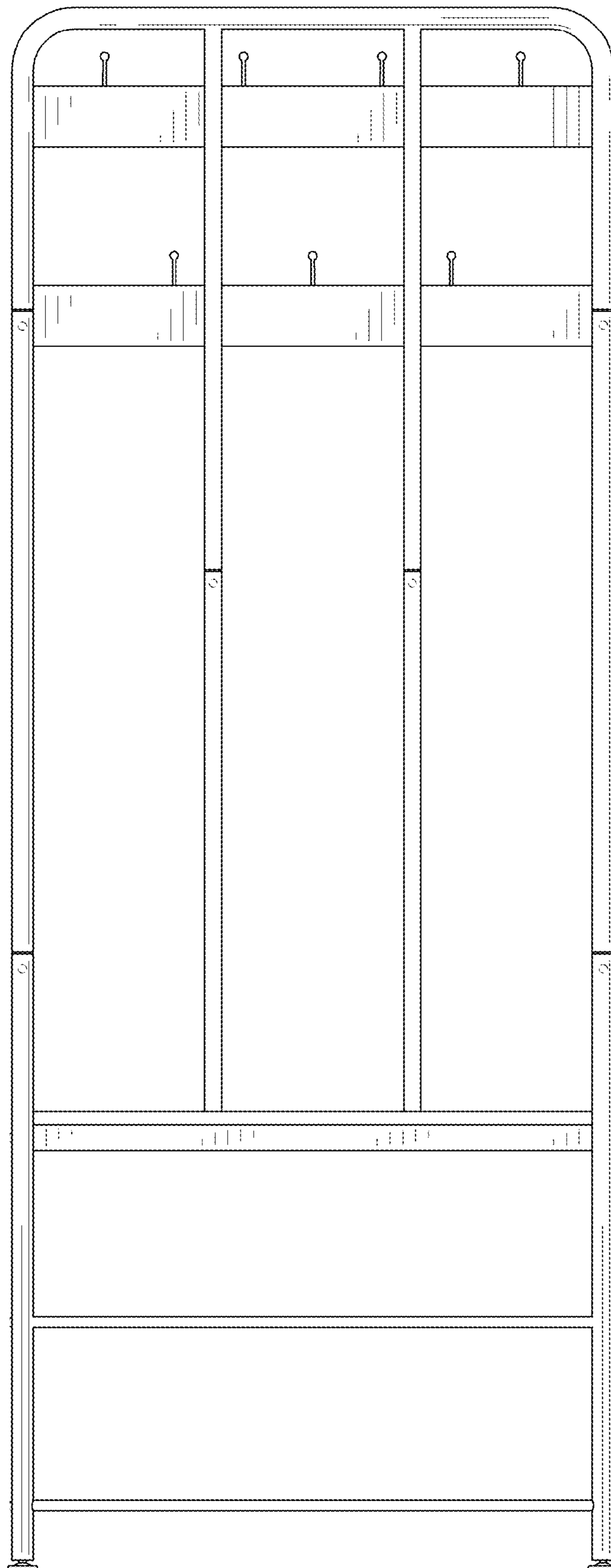


FIG. 3

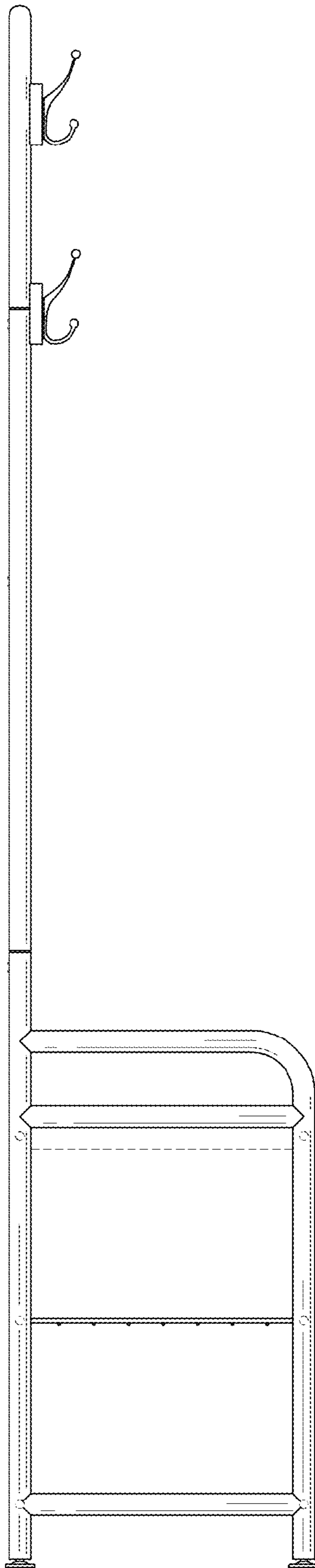


FIG. 4

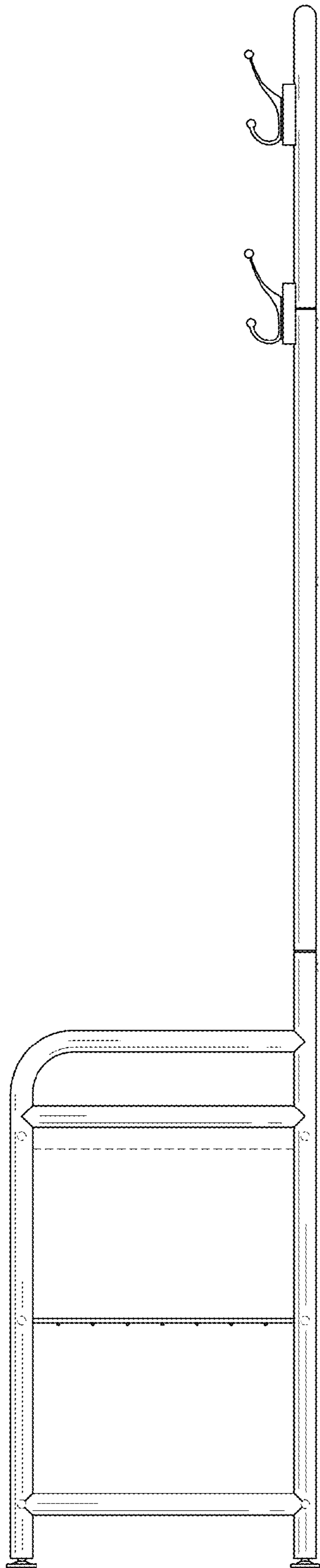


FIG. 5

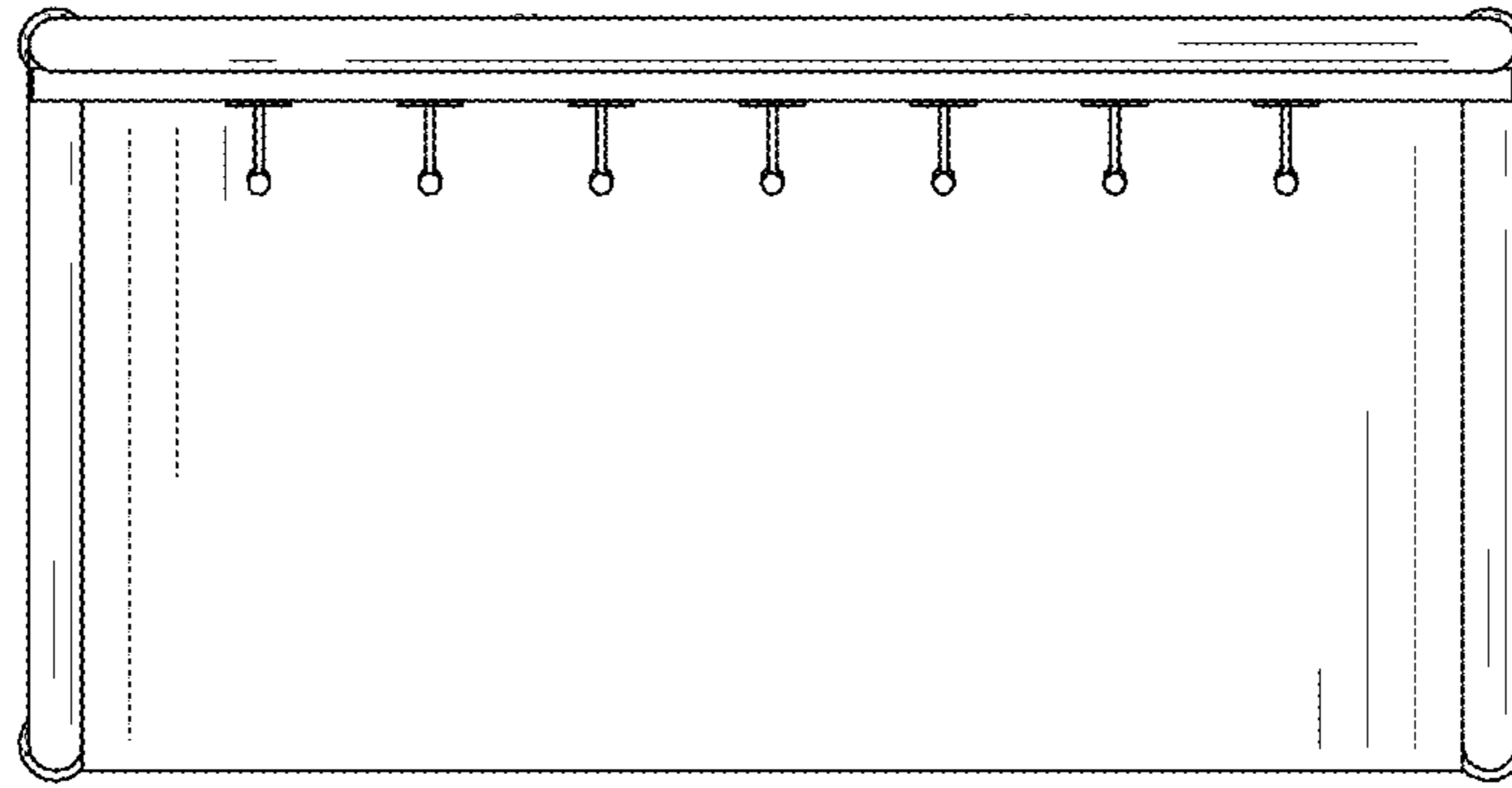


FIG. 6

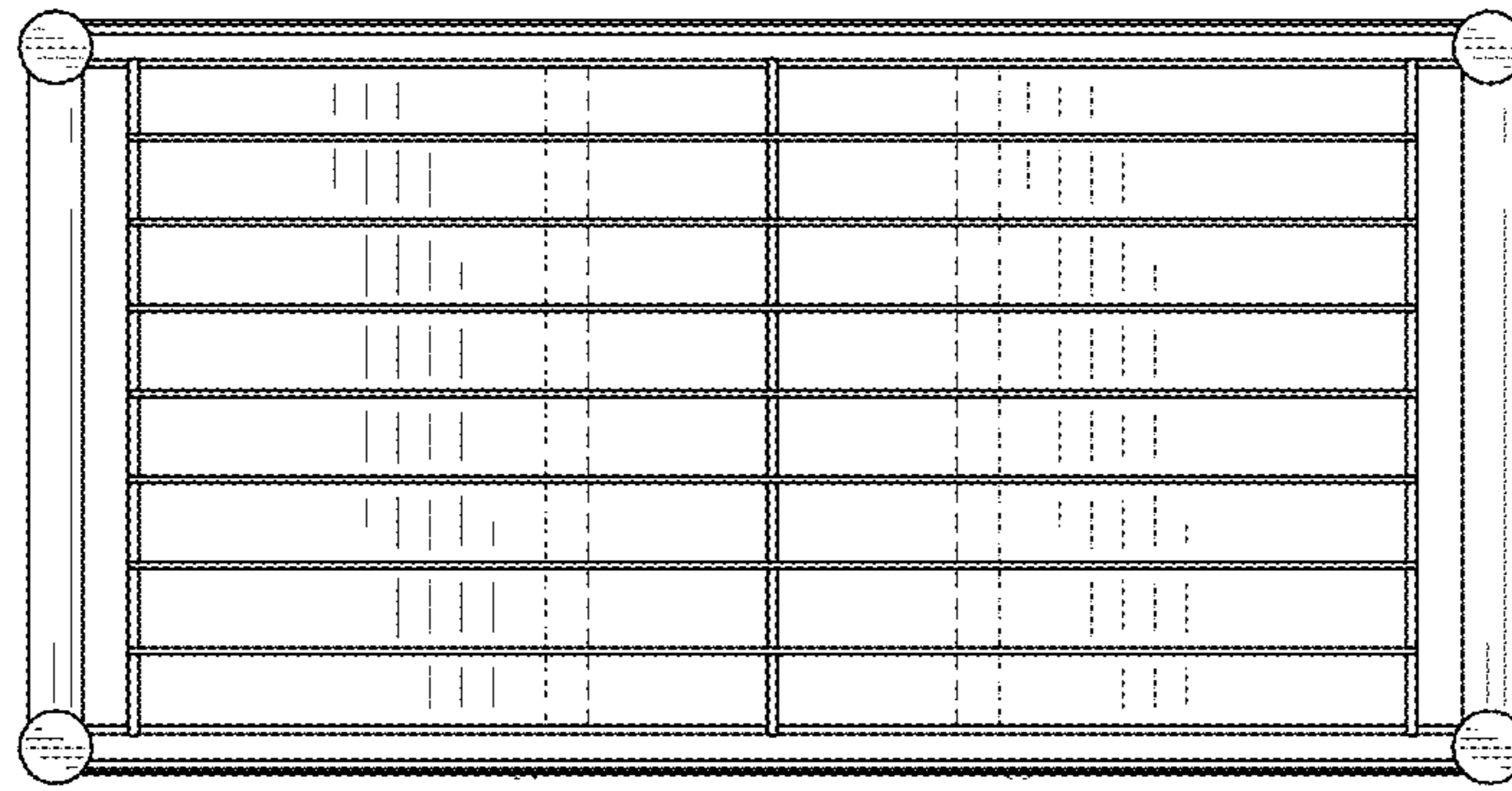


FIG. 7