



US00D883718S

(12) **United States Design Patent**
Chu

(10) **Patent No.:** **US D883,718 S**

(45) **Date of Patent:** **** May 12, 2020**

(54) **MULTIPURPOSE CABINET**

(71) Applicant: **Eastern Global Corporation**, New Taipei (TW)

(72) Inventor: **Leo Chu**, New Taipei (TW)

(73) Assignee: **EASTERN GLOBAL CORPORATION**, New Taipei (TW)

(**) Term: **15 Years**

(21) Appl. No.: **29/657,752**

(22) Filed: **Jul. 25, 2018**

(51) **LOC (12) Cl.** **06-04**

(52) **U.S. Cl.**
USPC **D6/664**

(58) **Field of Classification Search**
USPC D6/321, 663, 664, 664.1, 667, 668, 669,
D6/671, 671.2, 672, 673
CPC A47B 46/00; A47B 55/00; A47B 57/00;
A47B 61/00; A47B 67/00; A47B 67/005;
A47B 67/02; A47B 67/04; A47B 73/00;
A47B 73/004; A47B 83/00; A47B 83/001
See application file for complete search history.

(56) **References Cited**

U.S. PATENT DOCUMENTS

1,908,797 A * 5/1933 Svalland A47B 49/004
312/305
D103,680 S * 3/1937 Hardy D6/664
2,624,650 A * 1/1953 De Perales A47B 49/004
312/305

(Continued)

Primary Examiner — R. Johnson

(74) *Attorney, Agent, or Firm* — Demian K. Jackson;
Jackson IPG PLLC

(57) **CLAIM**

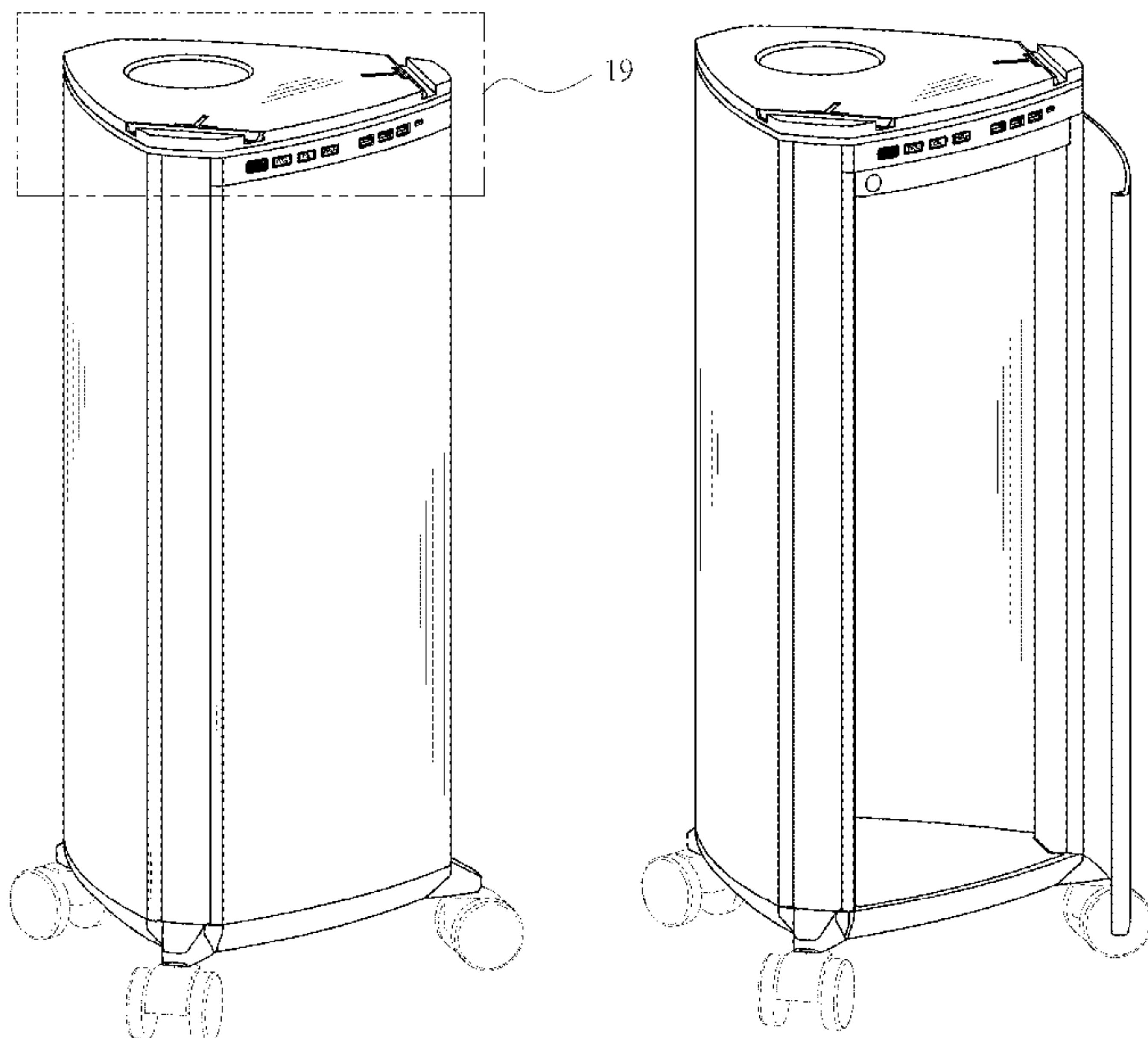
The ornamental design for a multipurpose cabinet, as shown and described.

DESCRIPTION

FIG. 1 is a front, left perspective view of a multipurpose cabinet showing my new design;
FIG. 2 is a front elevational view thereof;
FIG. 3 is a rear elevational view thereof;
FIG. 4 is a top plan view thereof;
FIG. 5 is a bottom plan view thereof;
FIG. 6 is a left side elevational view thereof;
FIG. 7 is a right side elevational view thereof;
FIG. 8 is a front, right perspective view from other side;
FIG. 9 is a front perspective view thereof, the door shown in an opened condition;
FIG. 10 is a front perspective view thereof; shown in a condition of use;
FIG. 11 is a front, perspective view thereof; shown in a condition of use;
FIG. 12 is a front, perspective view thereof; shown in a condition of use
FIG. 13 is a front, perspective view thereof; shown in a condition of use
FIG. 14 is a front, perspective view thereof; shown in a condition of use
FIG. 15 is a front, perspective view thereof; shown in a condition of use
FIG. 16 is a front, perspective view thereof; shown in a condition of use
FIG. 17 is a front, perspective view thereof; shown in a condition of use
FIG. 18 is a front, perspective view thereof; shown in a condition of use
FIG. 19 is an enlarged perspective view of item 19 of FIG. 1; and,
FIG. 20 is an enlarged perspective view of item 20 of FIG. 2.

The broken lines illustrate environment and the portions of the multipurpose cabinet that form no part of the claimed design.

1 Claim, 19 Drawing Sheets



(56)

References Cited

U.S. PATENT DOCUMENTS

4,095,859 A * 6/1978 Decker A61B 3/18
312/209
4,681,378 A * 7/1987 Hellman, III A47B 21/00
211/188
5,180,222 A * 1/1993 Robinson A47F 3/001
312/223.5
D337,671 S * 7/1993 Rushing D6/677.1
D352,106 S * 11/1994 Fanney D24/108
D424,829 S * 5/2000 Platts D6/669
D447,567 S * 9/2001 Murphy D24/172
D471,737 S * 3/2003 Lucatello D6/661.3
6,626,445 B2 * 9/2003 Murphy A61G 12/001
280/47.34
7,594,668 B2 * 9/2009 Arceta A61G 12/001
108/147.19
D643,535 S * 8/2011 Ross D24/164
D787,073 S * 5/2017 Livengood D24/185
D792,974 S * 7/2017 Roth D24/185
2004/0045485 A1 * 3/2004 Miller A47B 83/001
108/50.01
2005/0288571 A1 * 12/2005 Perkins A61B 5/0002
600/407

* cited by examiner

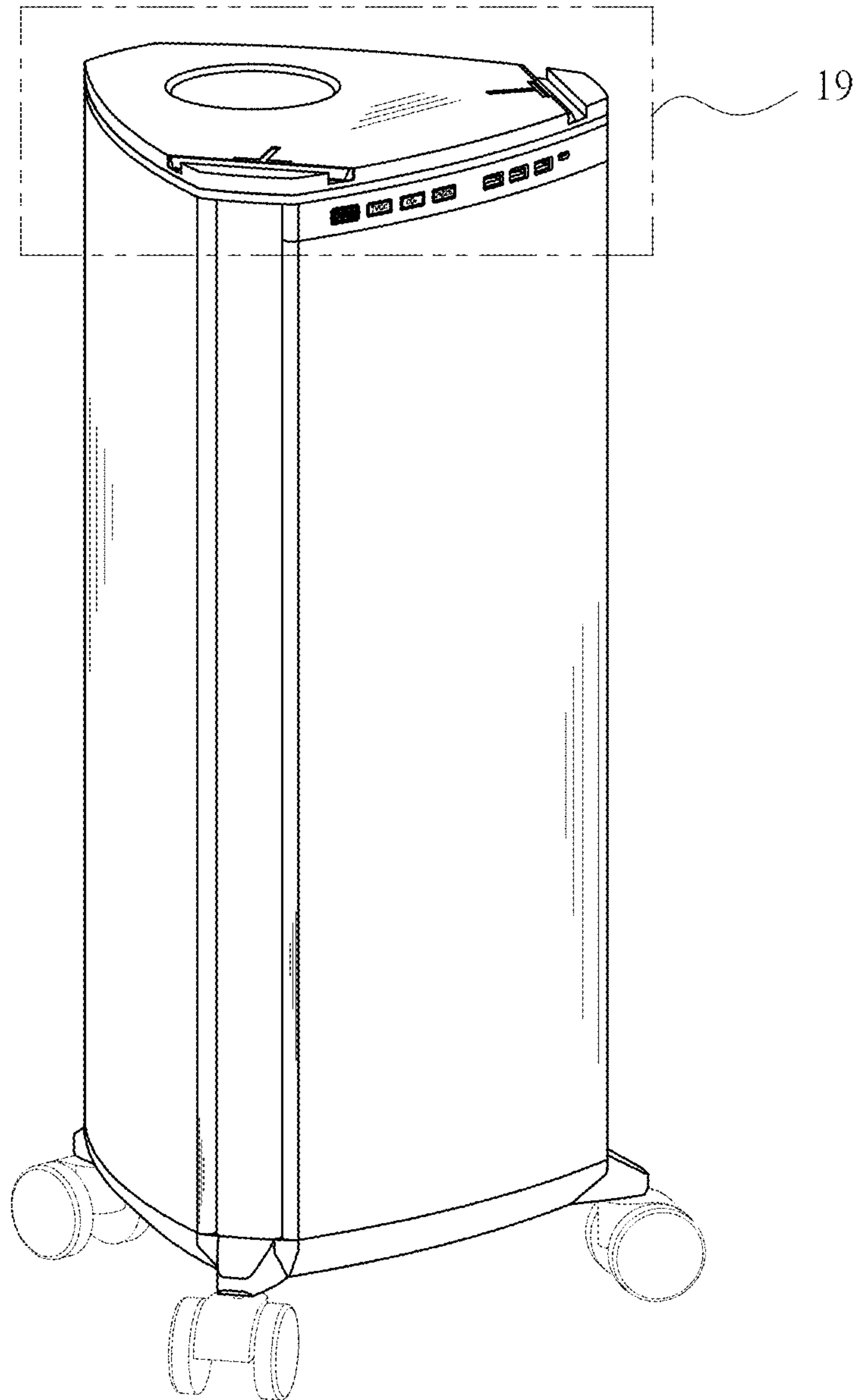


Fig. 1

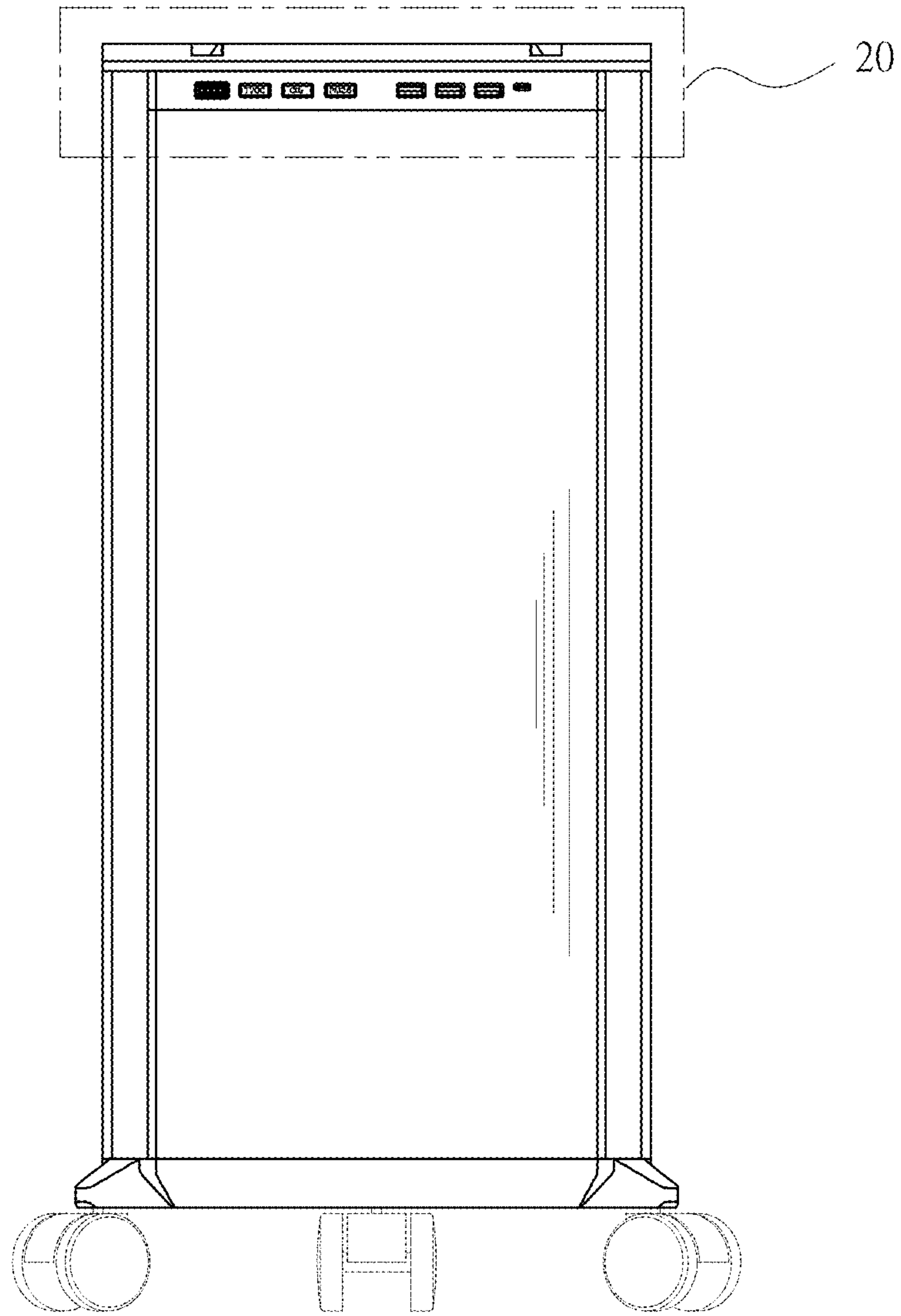


Fig. 2

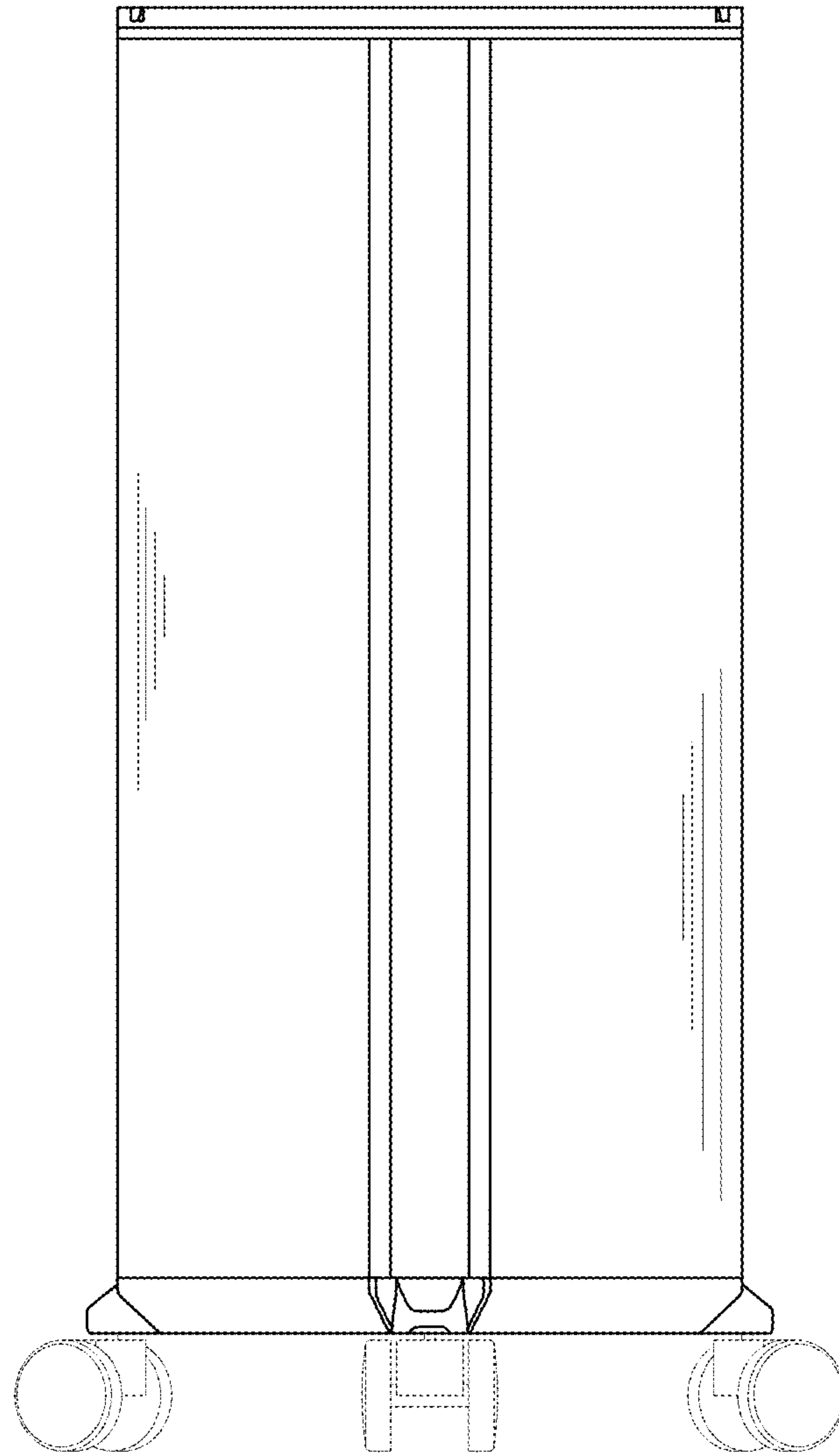


Fig. 3

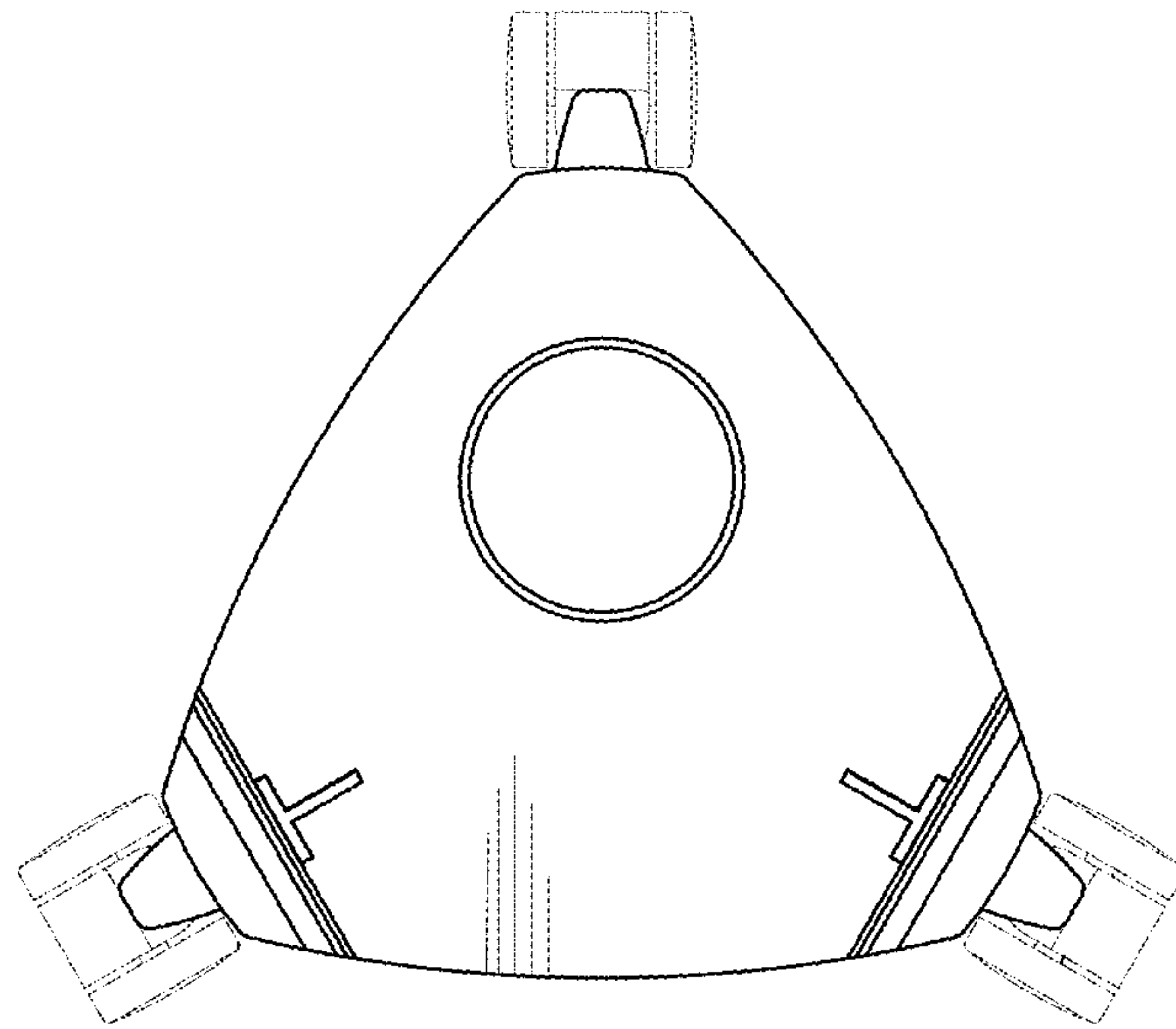


Fig. 4

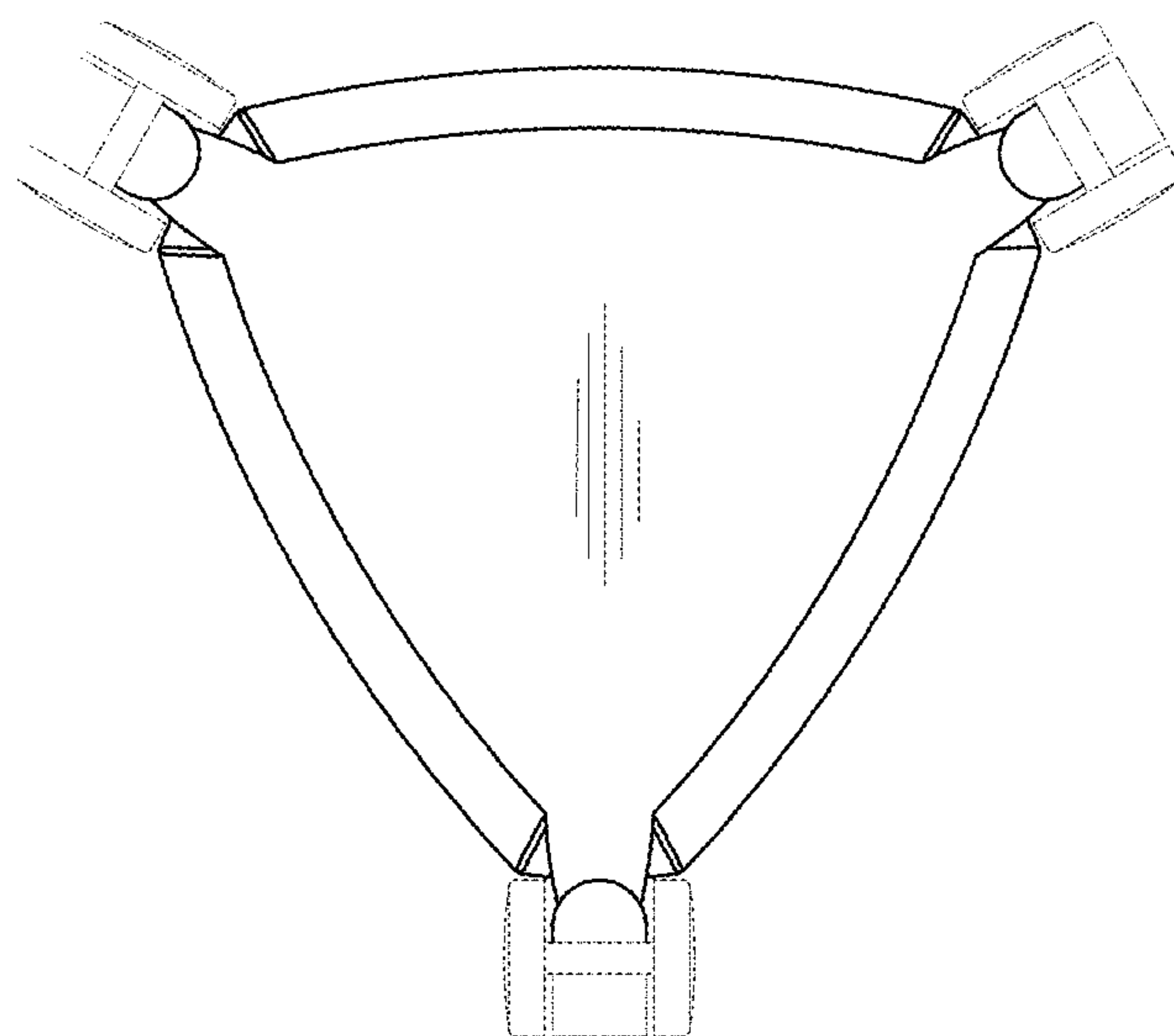


Fig. 5

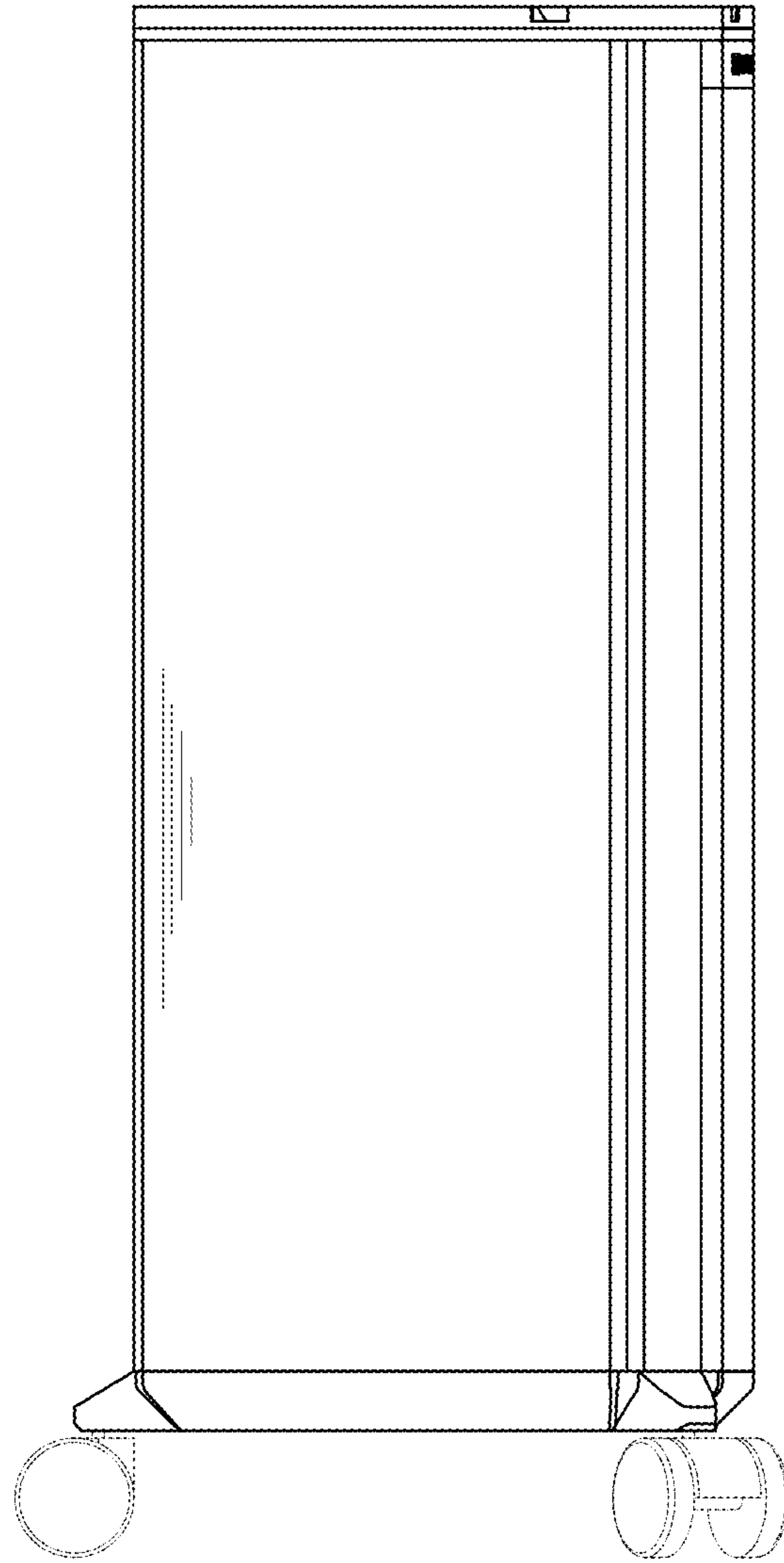


Fig. 6

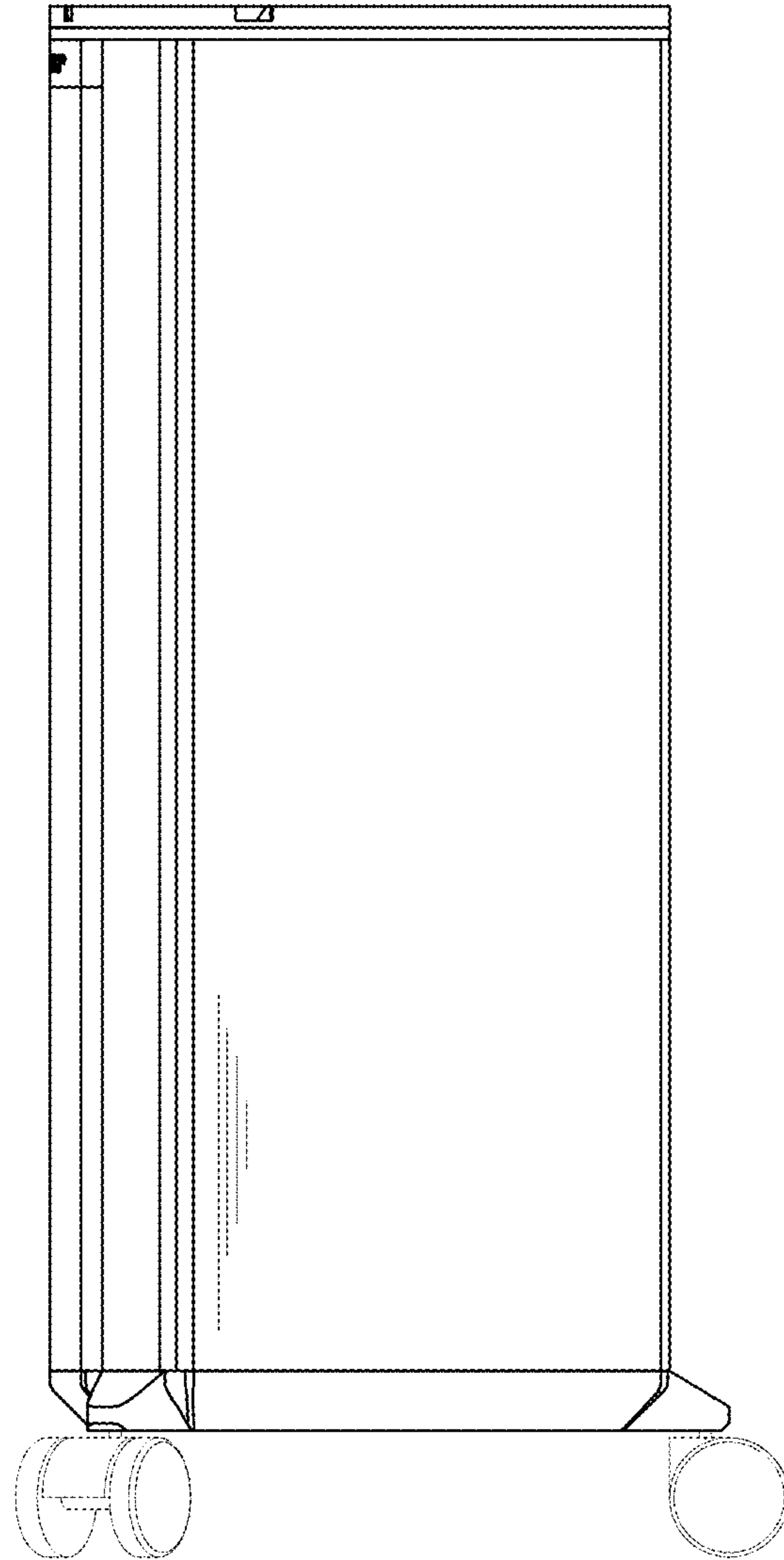


Fig. 7

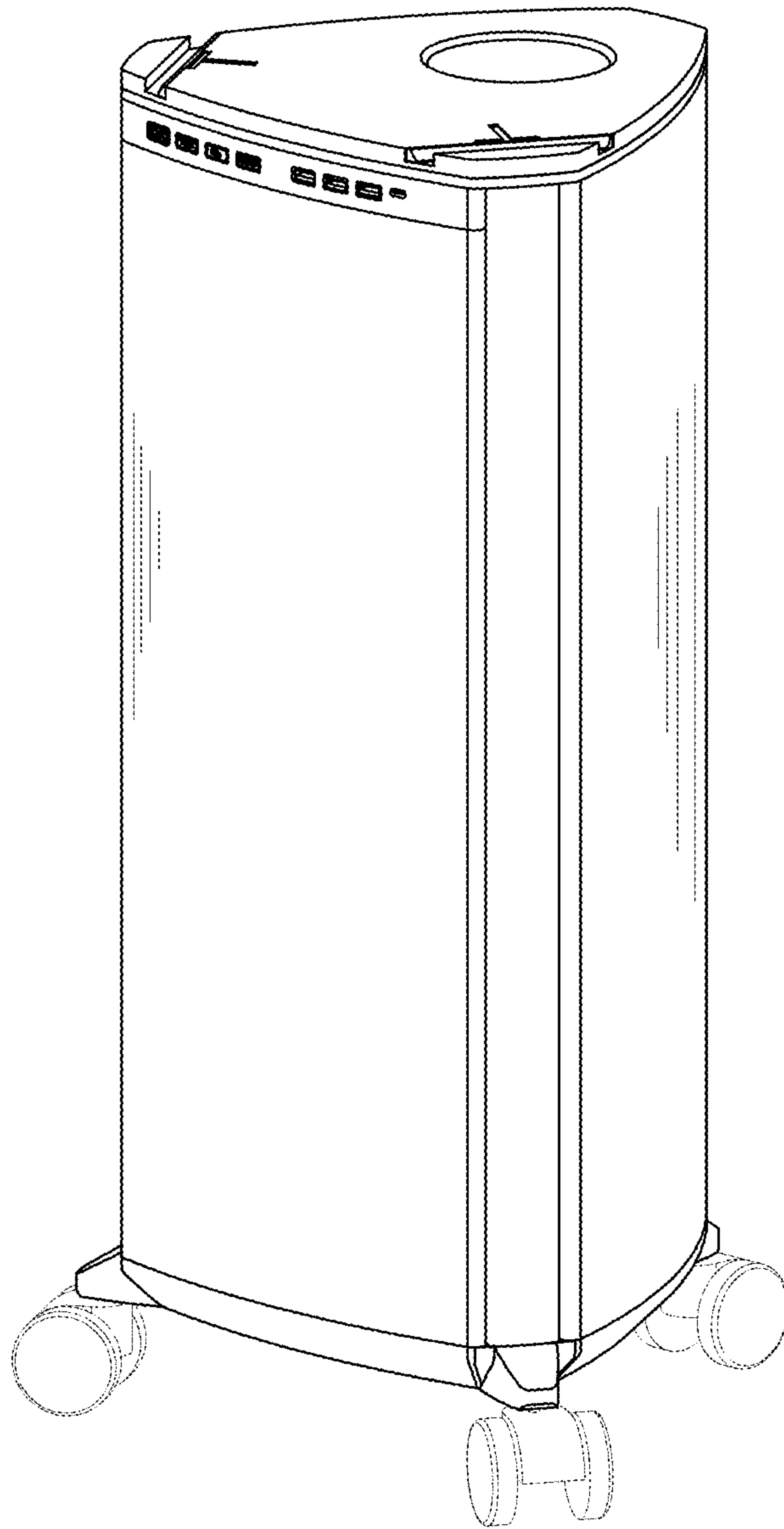


Fig. 8

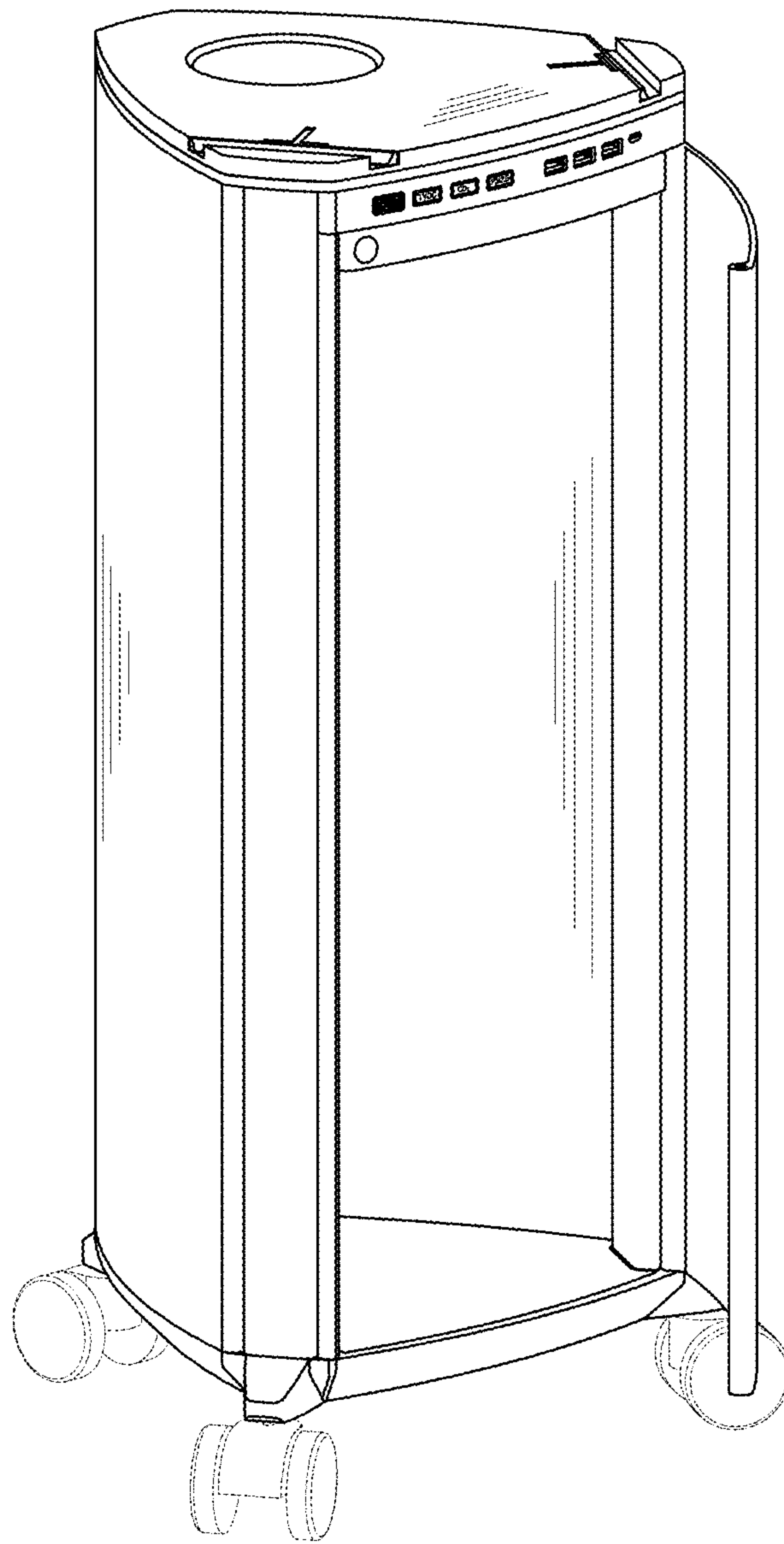


Fig. 9

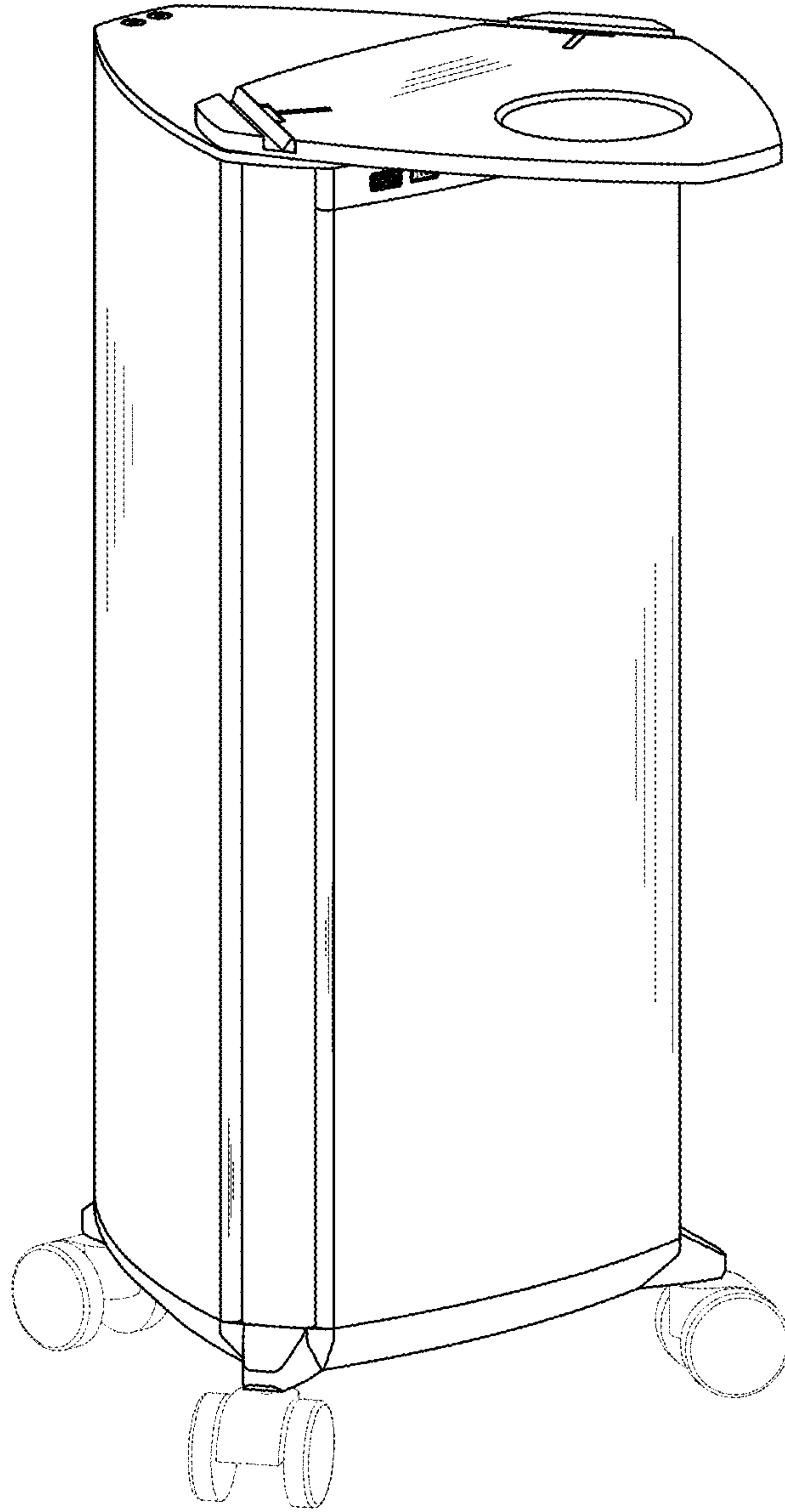


Fig. 10

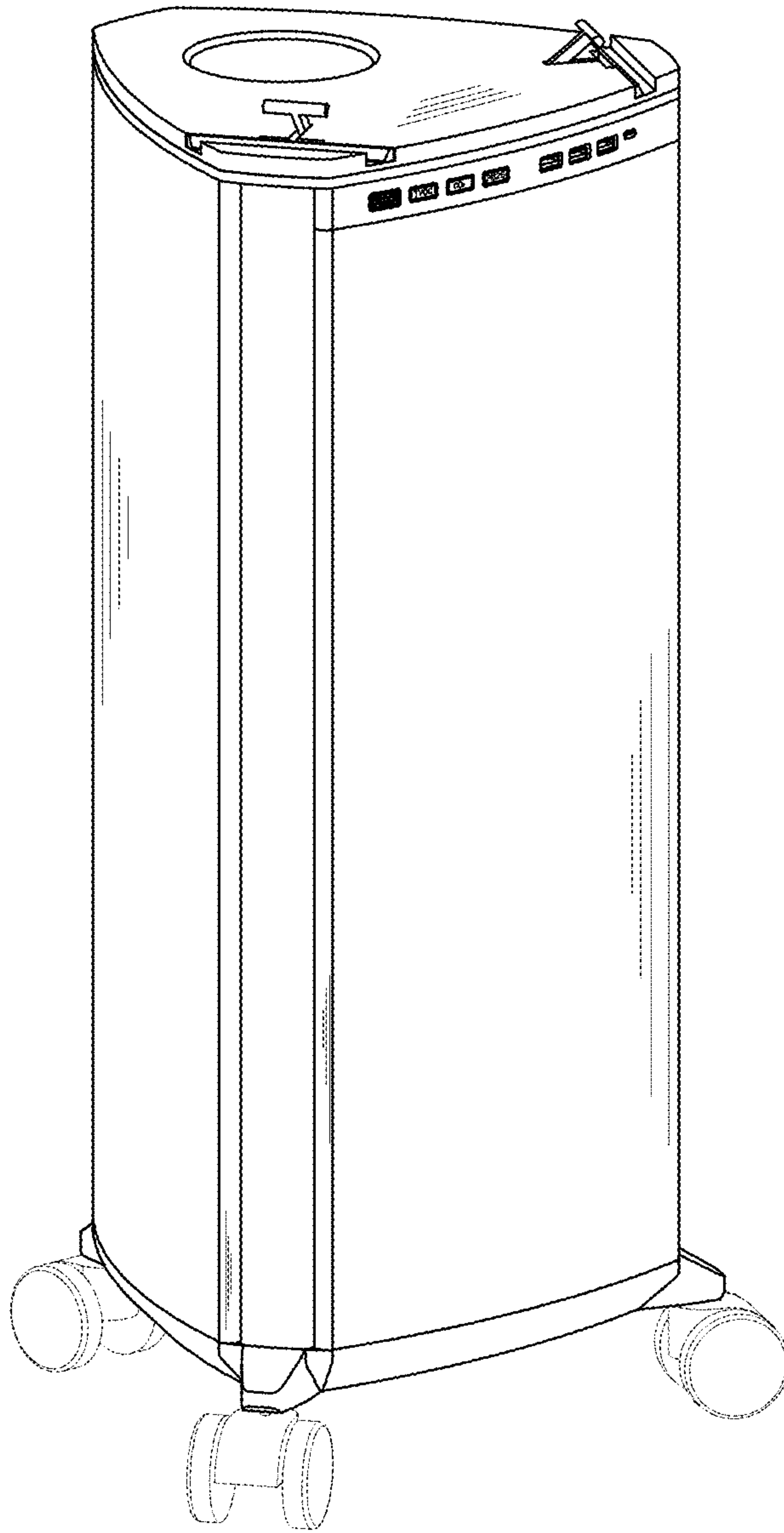


Fig. 11

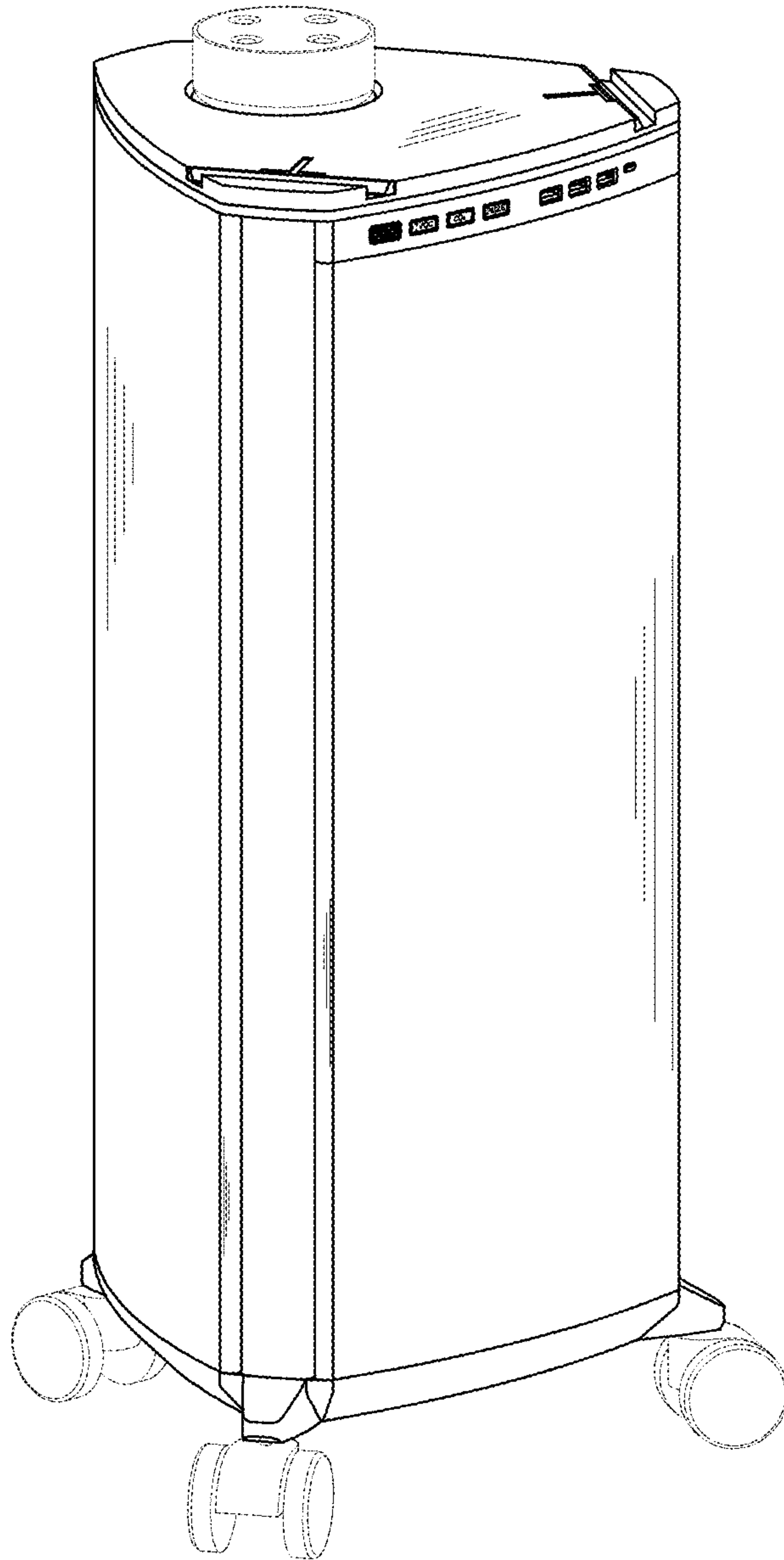


Fig. 12



Fig. 13

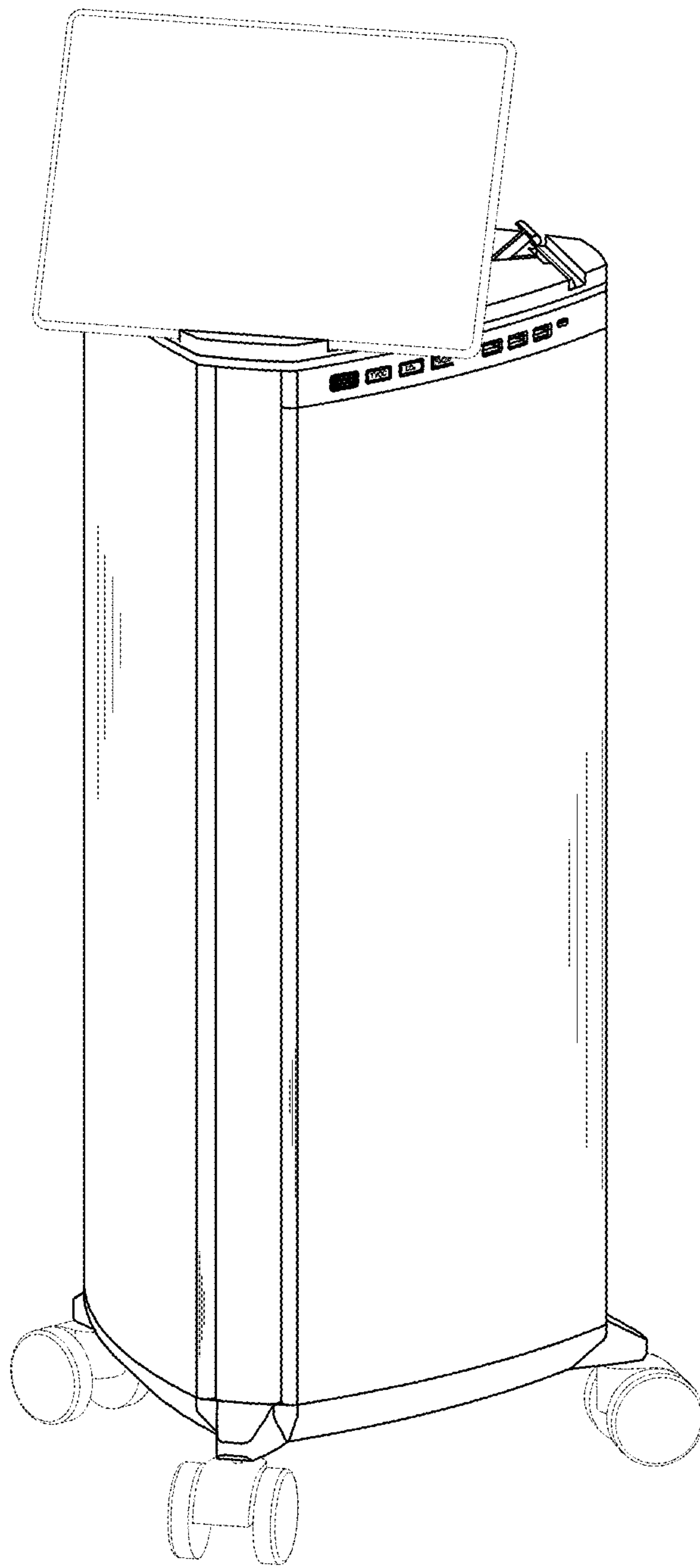


Fig. 14

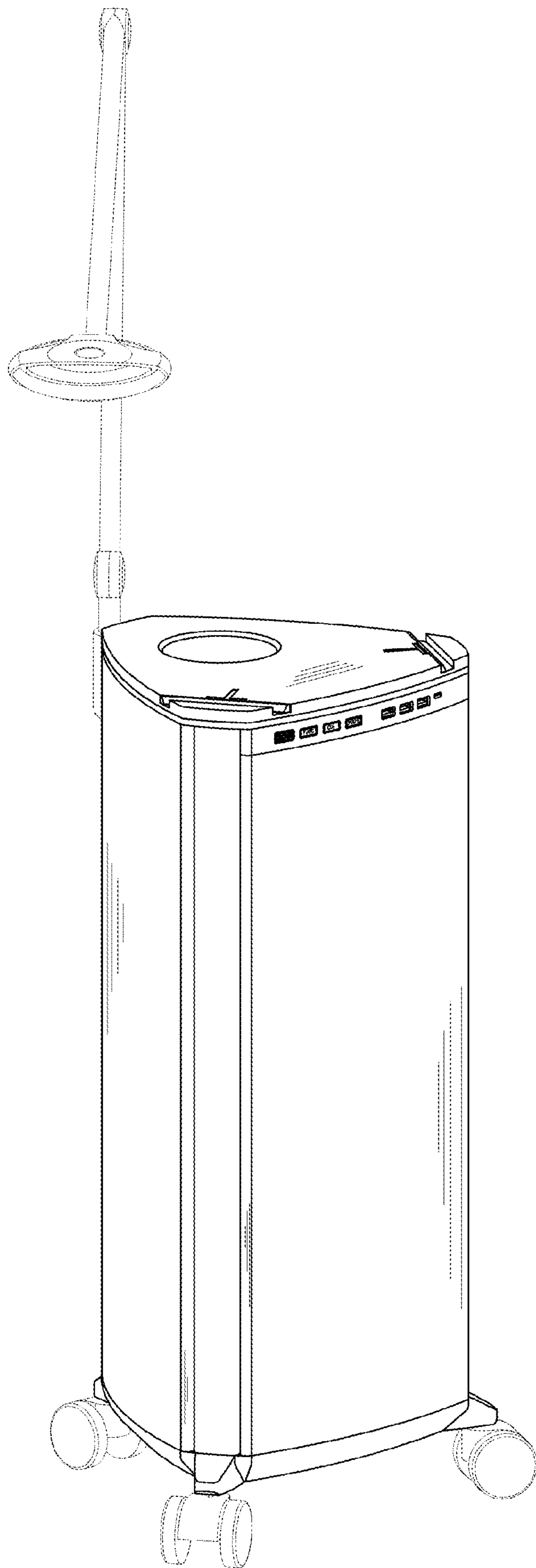


Fig. 15

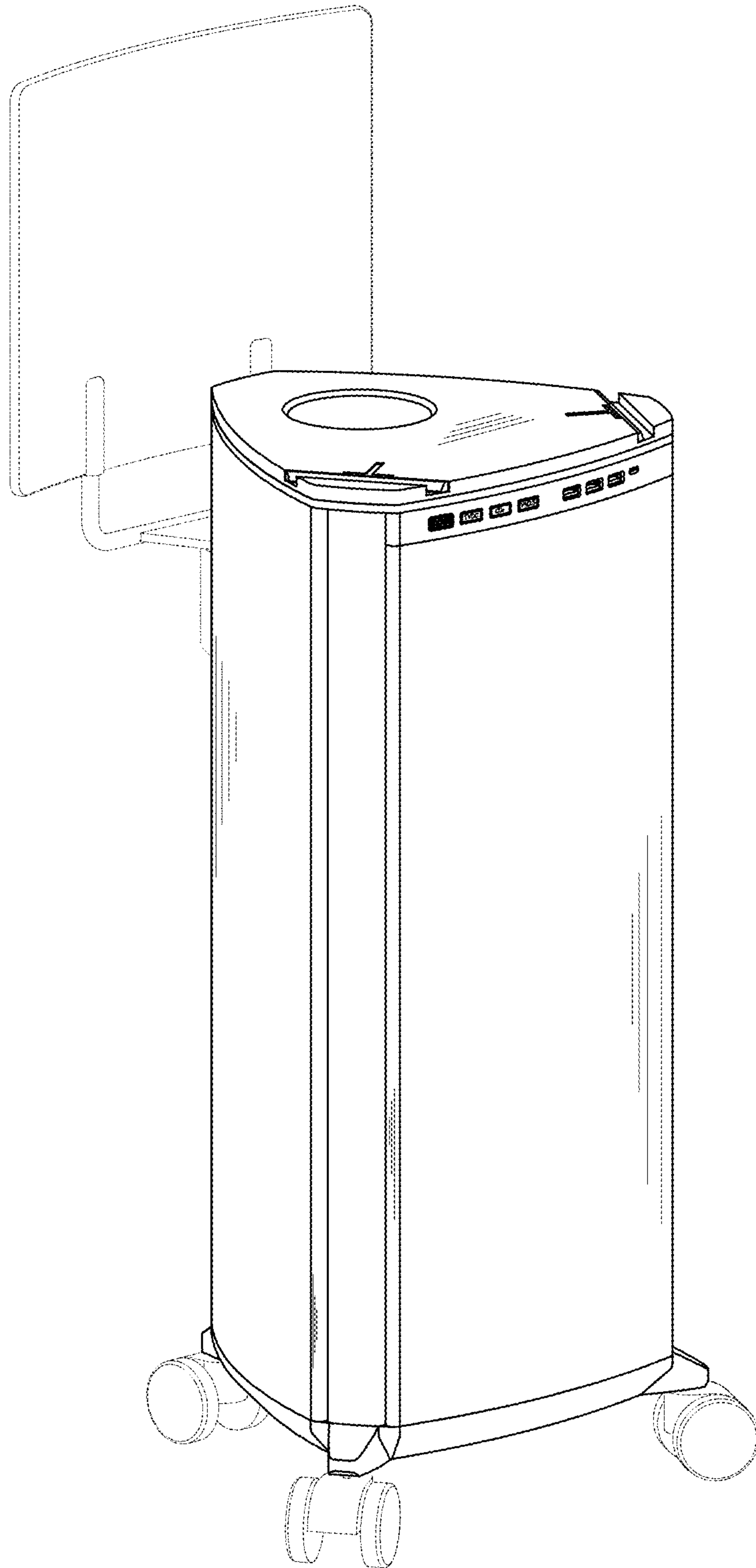


Fig. 16

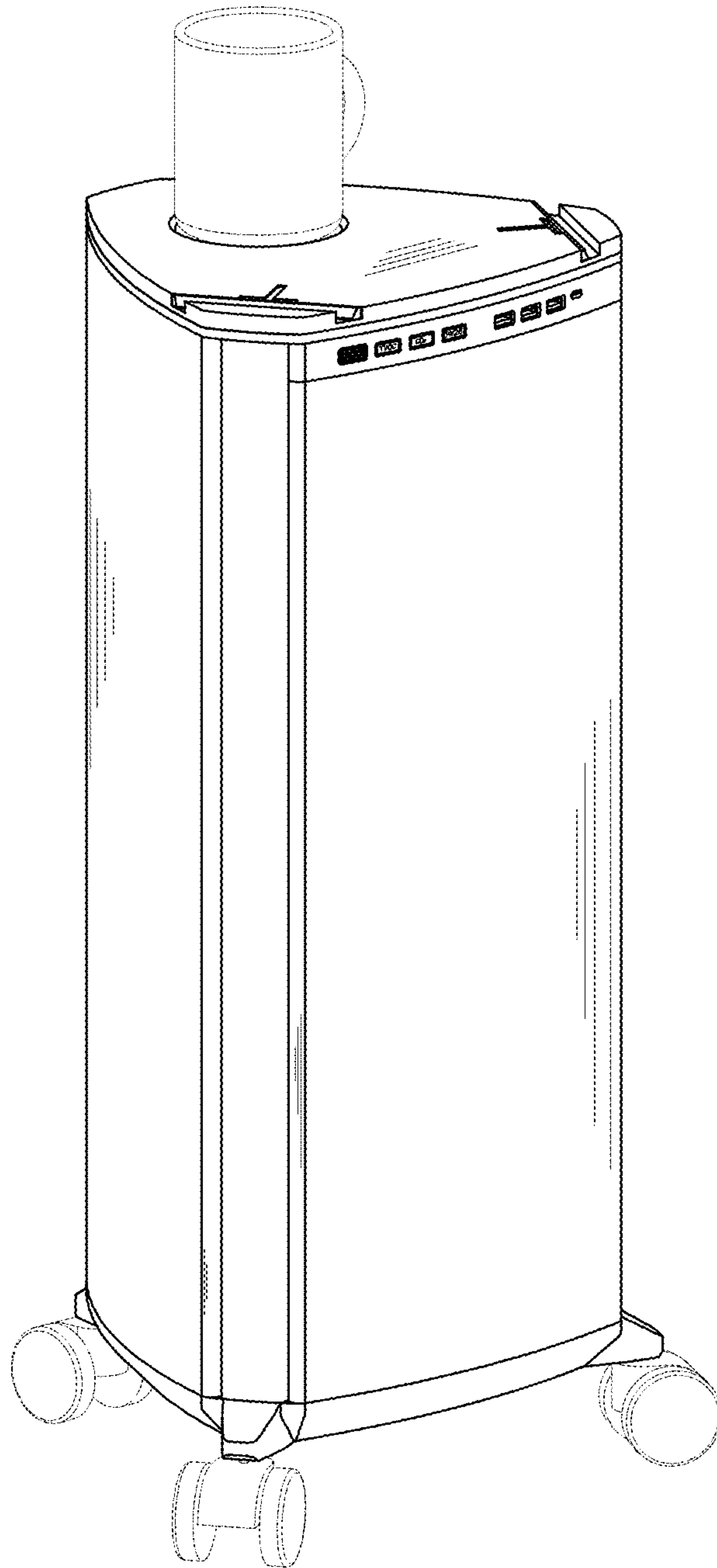


Fig. 17

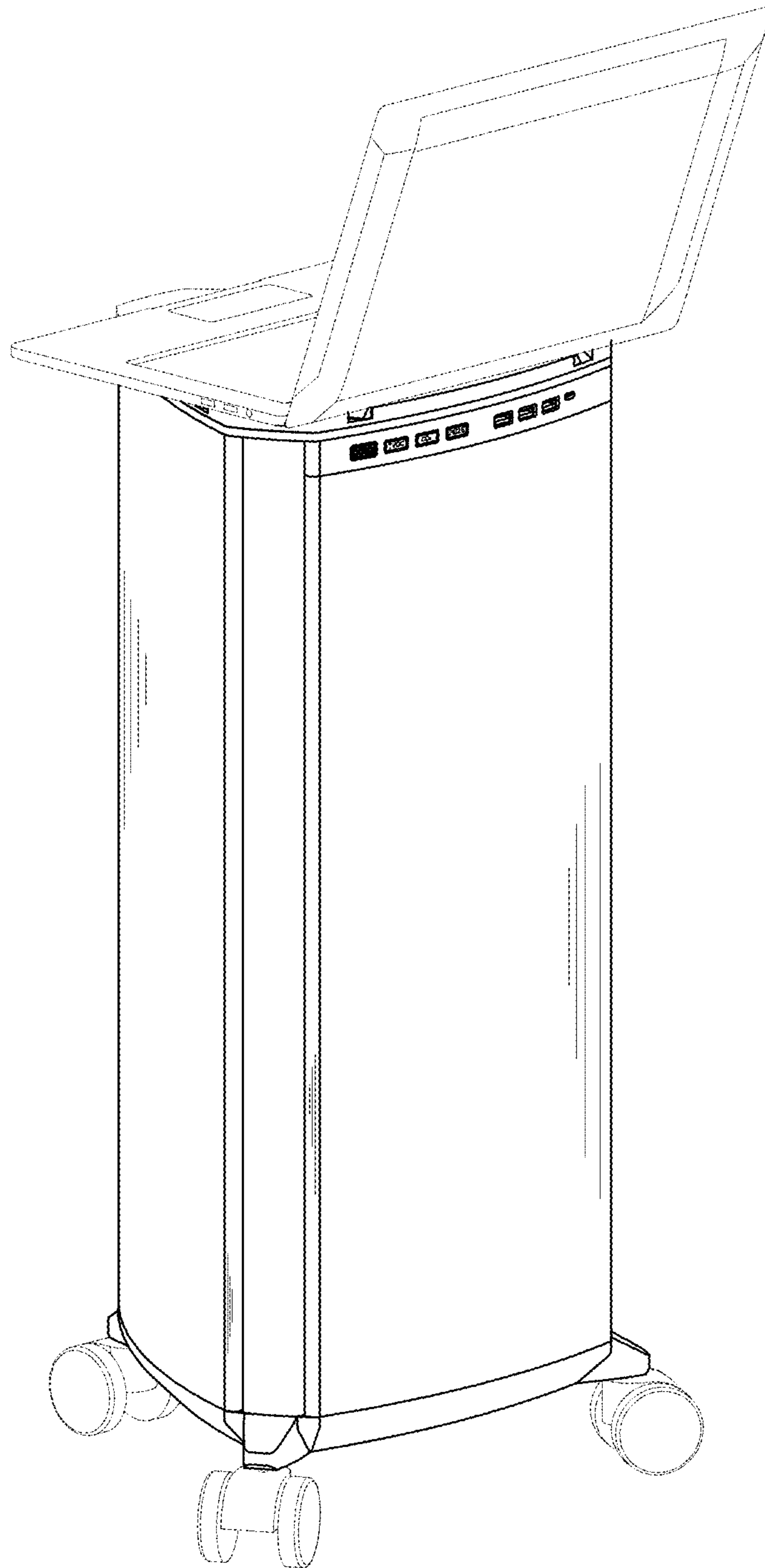


Fig. 18

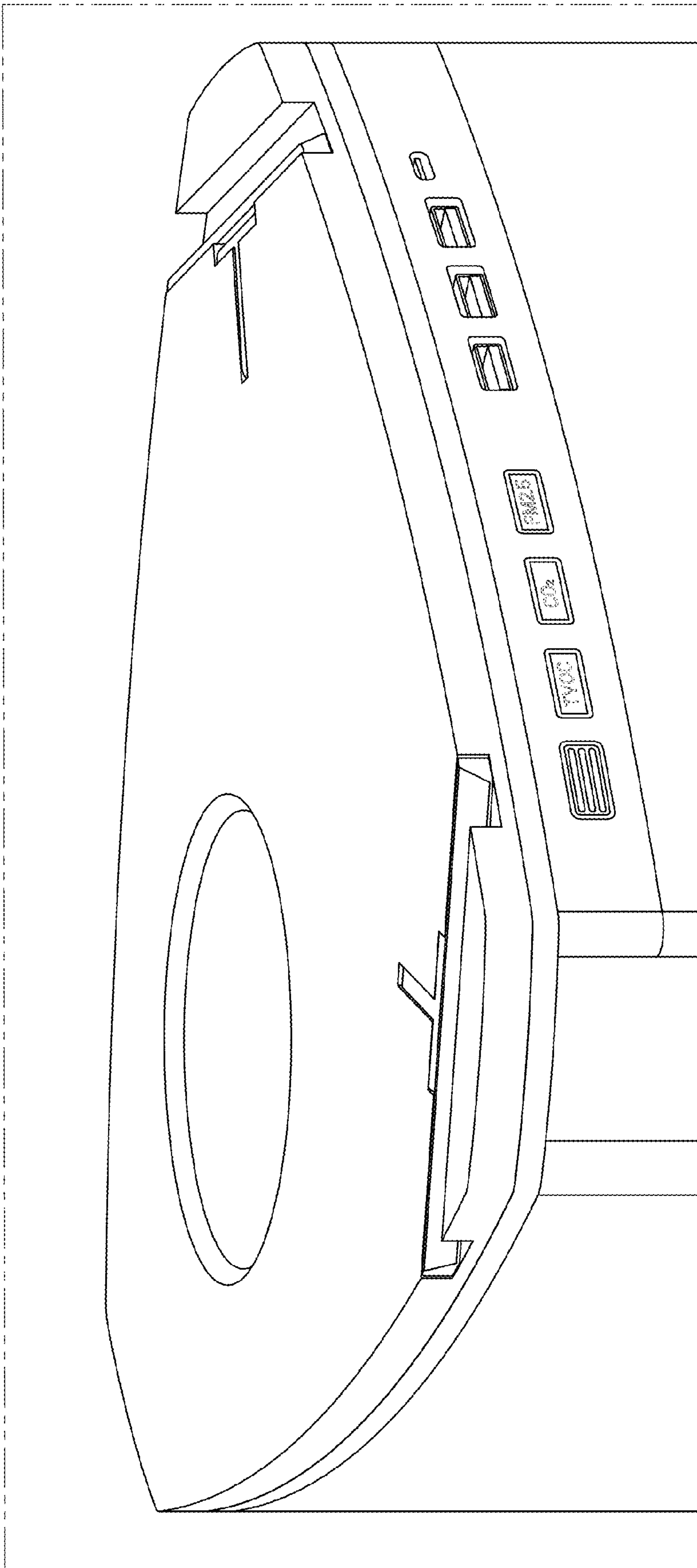


Fig. 19

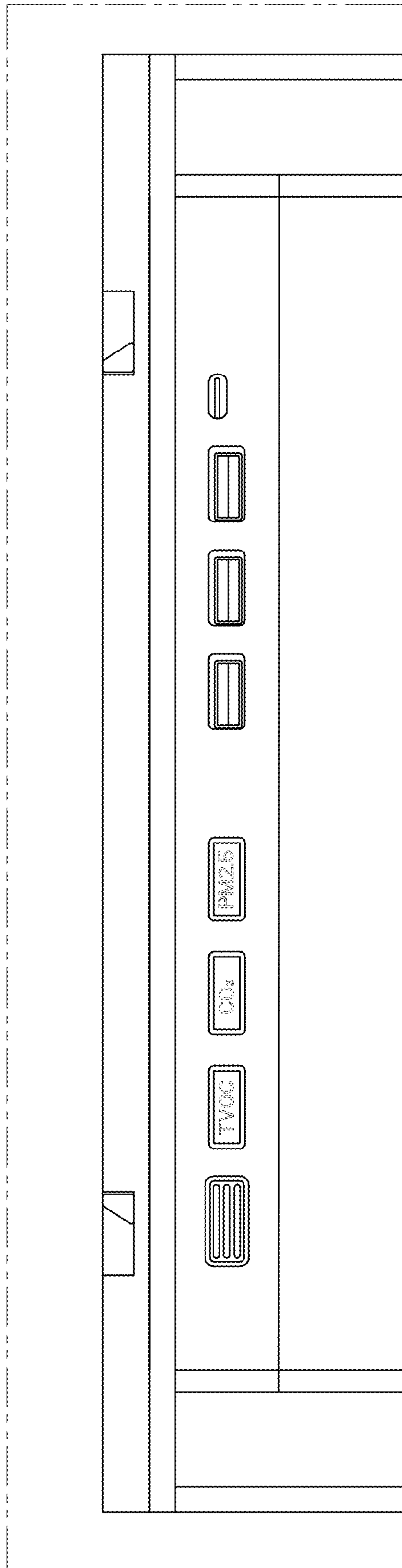


Fig. 20