



US00D883716S

(12) **United States Design Patent**  
**Hu**

(10) **Patent No.:** **US D883,716 S**  
(45) **Date of Patent:** **\*\* May 12, 2020**

(54) **CAR SET COVER**

(71) Applicant: **SHENZHEN QIANHAI PATUOXUN NETWORK AND TECHNOLOGY CO., LTD**, Shenzhen (CN)

(72) Inventor: **Zaihui Hu**, Shenzhen (CN)

(73) Assignee: **SHENZHEN QIANHAI PATUOXUN NETWORK AND TECHNOLOGY CO., LTD**, Shenzhen (CN)

(\*\*) Term: **15 Years**

(21) Appl. No.: **29/721,262**

(22) Filed: **Jan. 19, 2020**

(51) **LOC (12) Cl.** ..... **06-13**

(52) **U.S. Cl.**  
USPC ..... **D6/611**

(58) **Field of Classification Search**  
USPC ..... D6/610, 611, 596, 601–603, 615, 617, D6/621; D7/332, 334–337; D12/195, D12/222, 401–405, 416  
CPC ..... B60R 7/043; B60N 2/60  
See application file for complete search history.

(56) **References Cited**

**U.S. PATENT DOCUMENTS**

D611,751 S	3/2010	Siklosi	
9,045,067 B2 *	6/2015	Long	B60N 2/6036
D768,412 S *	10/2016	Ngo	D6/611
D807,668 S *	1/2018	Moore	D6/611
D809,827 S	2/2018	Carr et al.	
D851,963 S	6/2019	Fischer-Livneh et al.	
D868,503 S *	12/2019	Fu	D6/611

D876,128 S *	2/2020	Anchors, Jr.	D6/611
2007/0170757 A1 *	7/2007	Lanham	B60N 2/60 297/229
2008/0179926 A1 *	7/2008	Kushner	A47C 31/11 297/220
2009/0028466 A1 *	1/2009	Bailey	A45F 4/12 383/4
2009/0091165 A1 *	4/2009	Thompson	A47C 31/11 297/228.12
2014/0322490 A1 *	10/2014	Vreys	A47G 27/0206 428/156
2015/0314717 A1 *	11/2015	Allos	B60N 2/60 297/229
2018/0027987 A1 *	2/2018	Calhoun	A47C 7/62

\* cited by examiner

*Primary Examiner* — Katrina A Betton

(57) **CLAIM**

The ornamental design for a car set cover, as shown and described.

**DESCRIPTION**

FIG. 1 is a first perspective view of a car set cover showing my new design;  
FIG. 2 is a second perspective view thereof;  
FIG. 3 is a third perspective view thereof;  
FIG. 4 is a fourth perspective view thereof;  
FIG. 5 is a front elevational view thereof;  
FIG. 6 is a rear elevational view thereof;  
FIG. 7 is a left side elevational view thereof;  
FIG. 8 is a right side elevational view thereof;  
FIG. 9 is a top plan view thereof; and,  
FIG. 10 is a bottom plan view thereof.

**1 Claim, 10 Drawing Sheets**

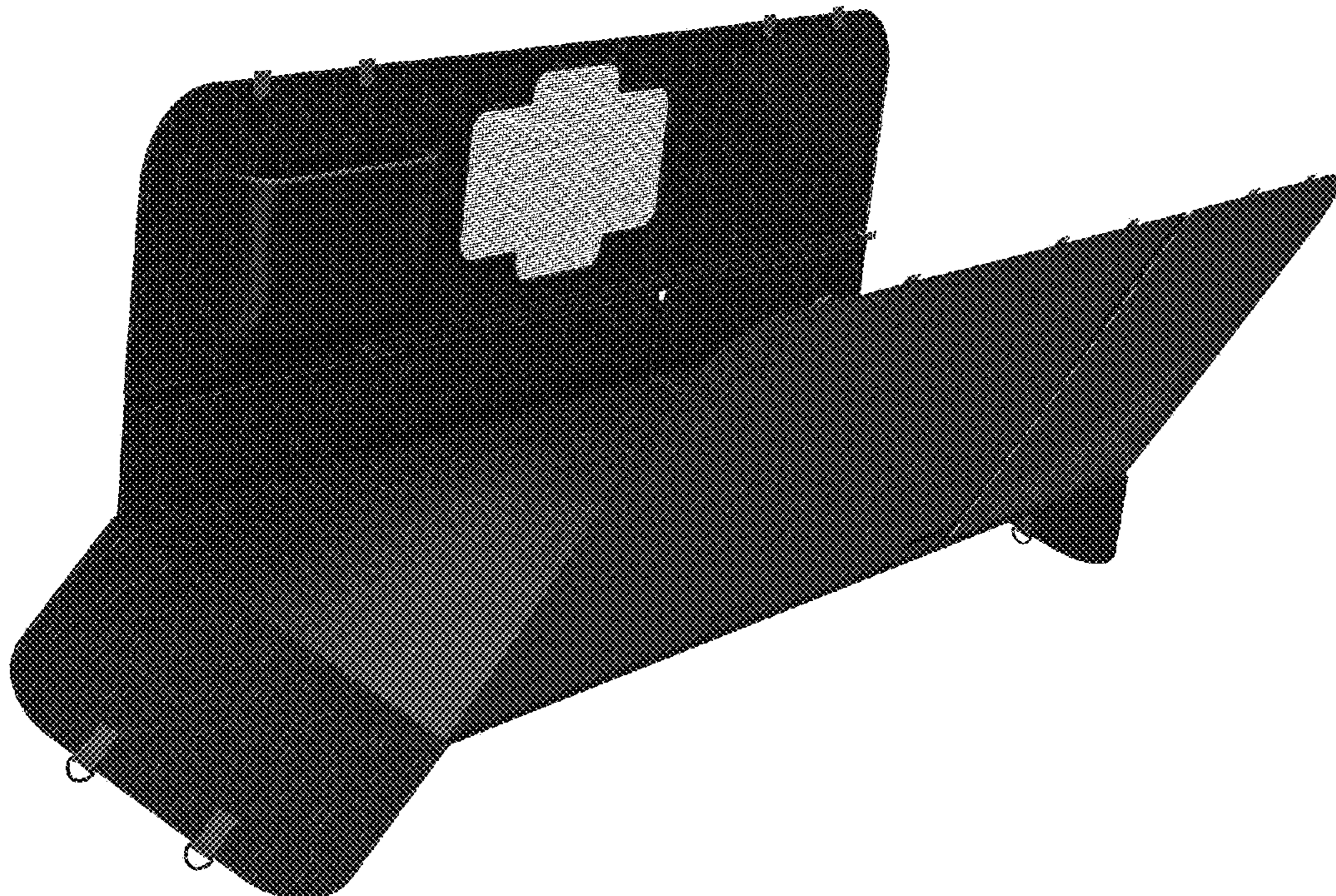






FIG. 1



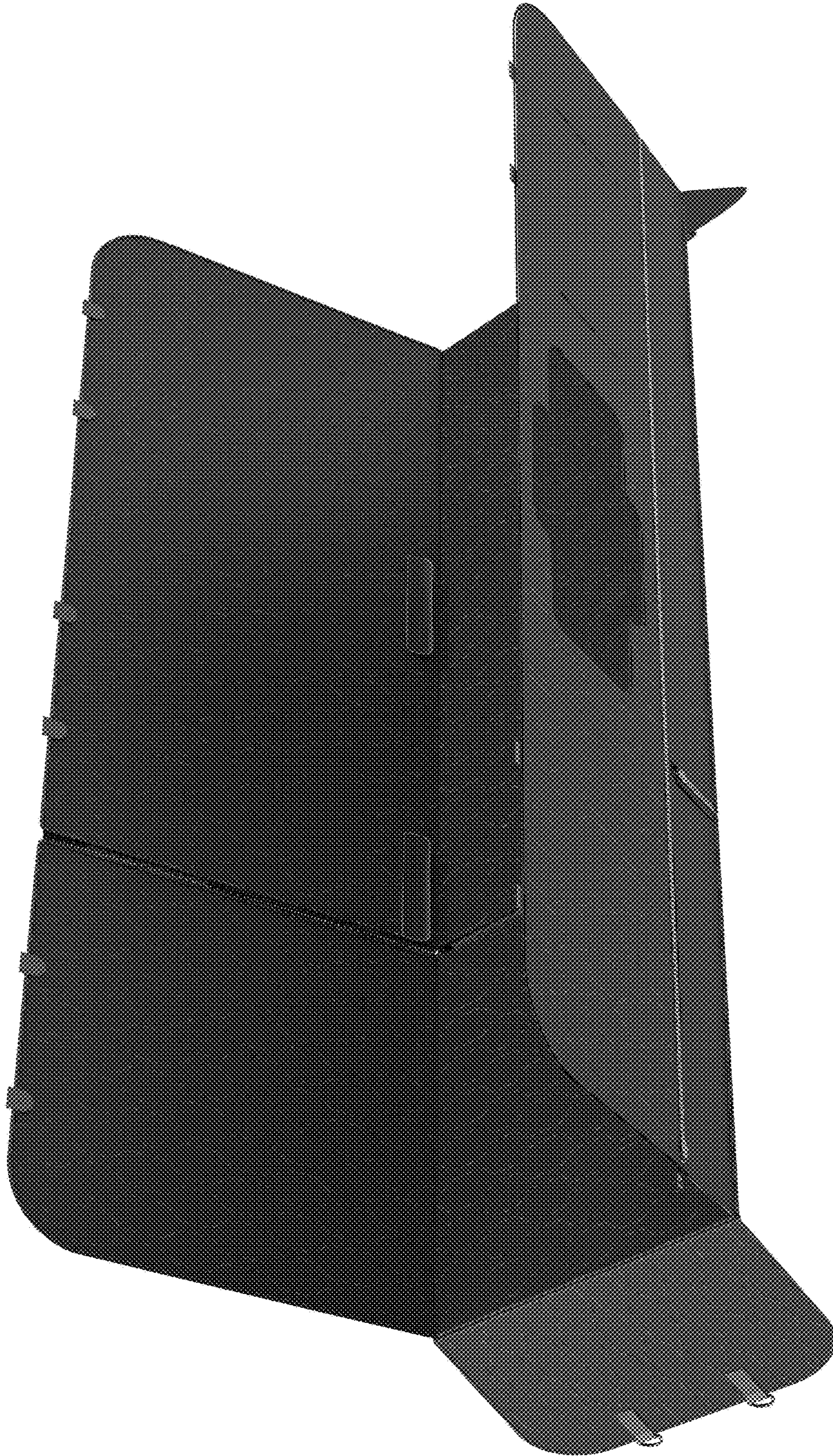


FIG. 2





FIG. 3





FIG. 4



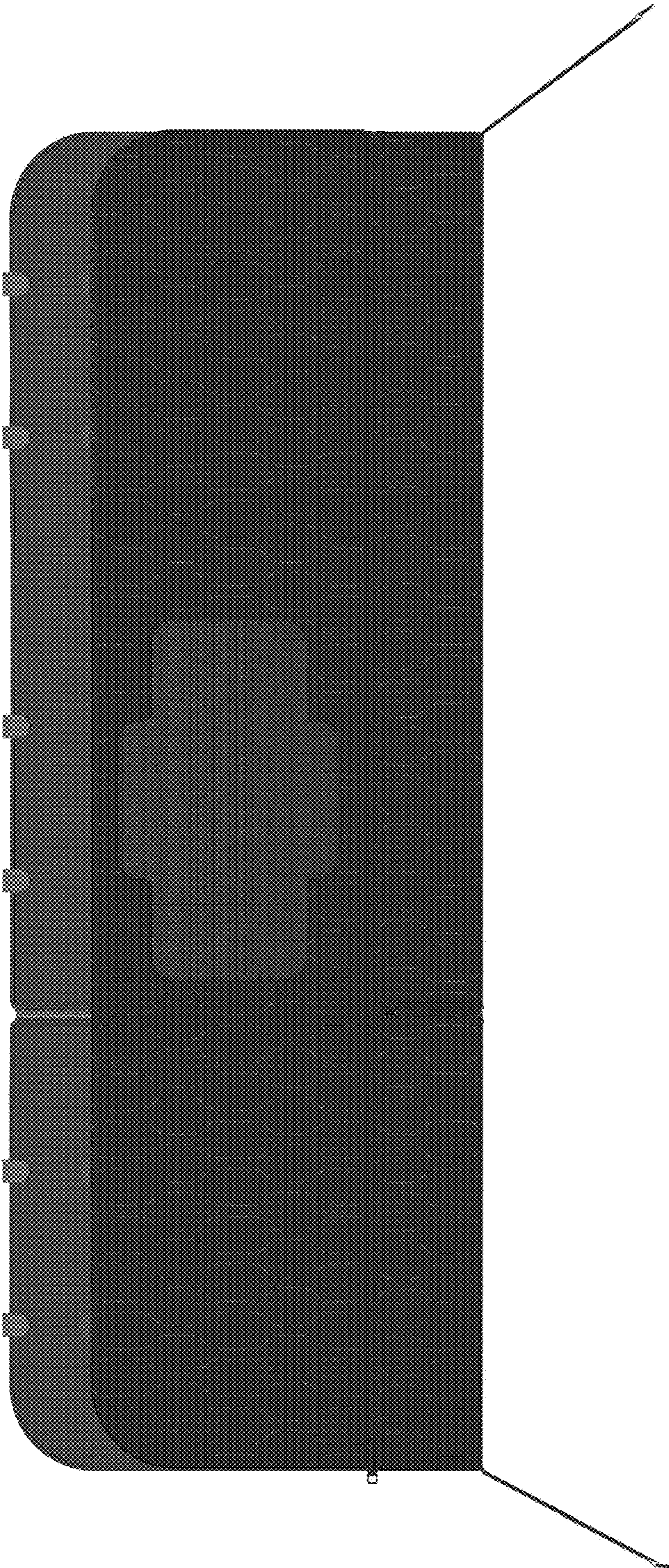


FIG. 5



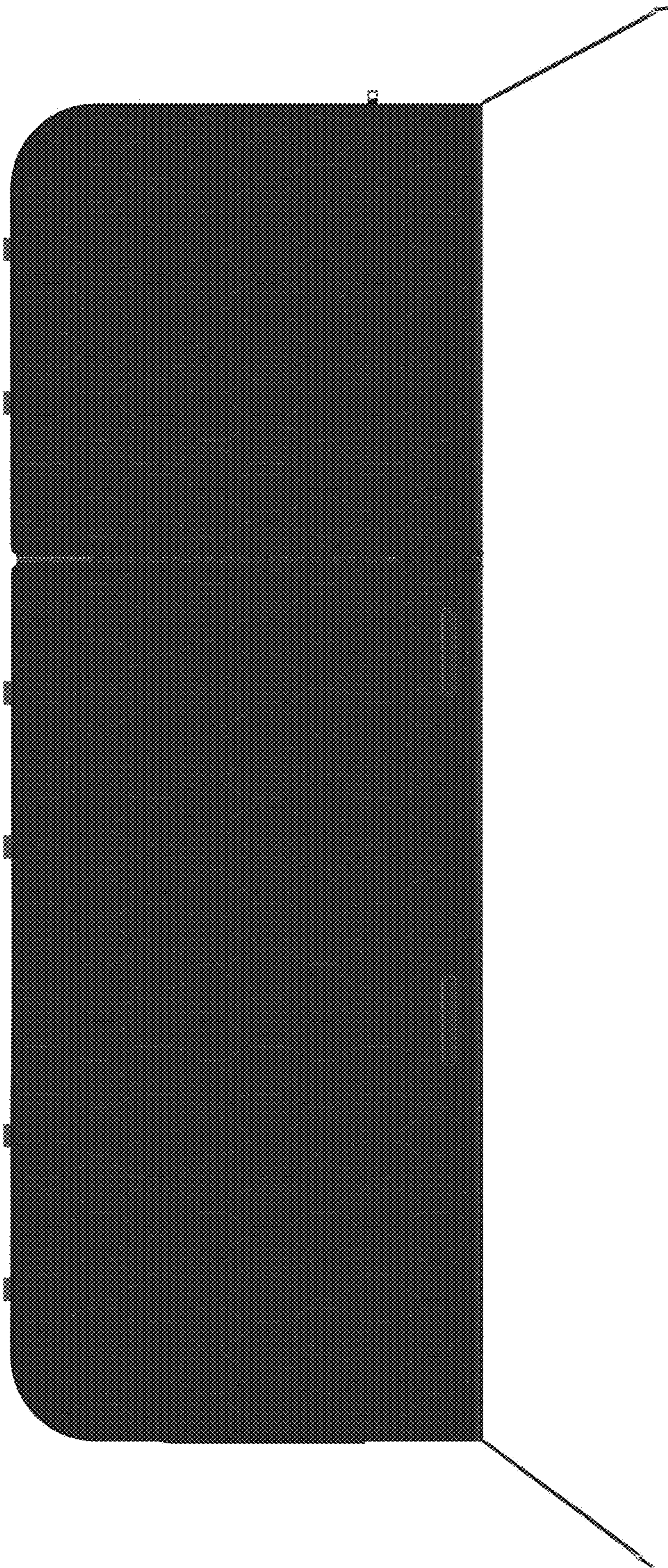


FIG. 6

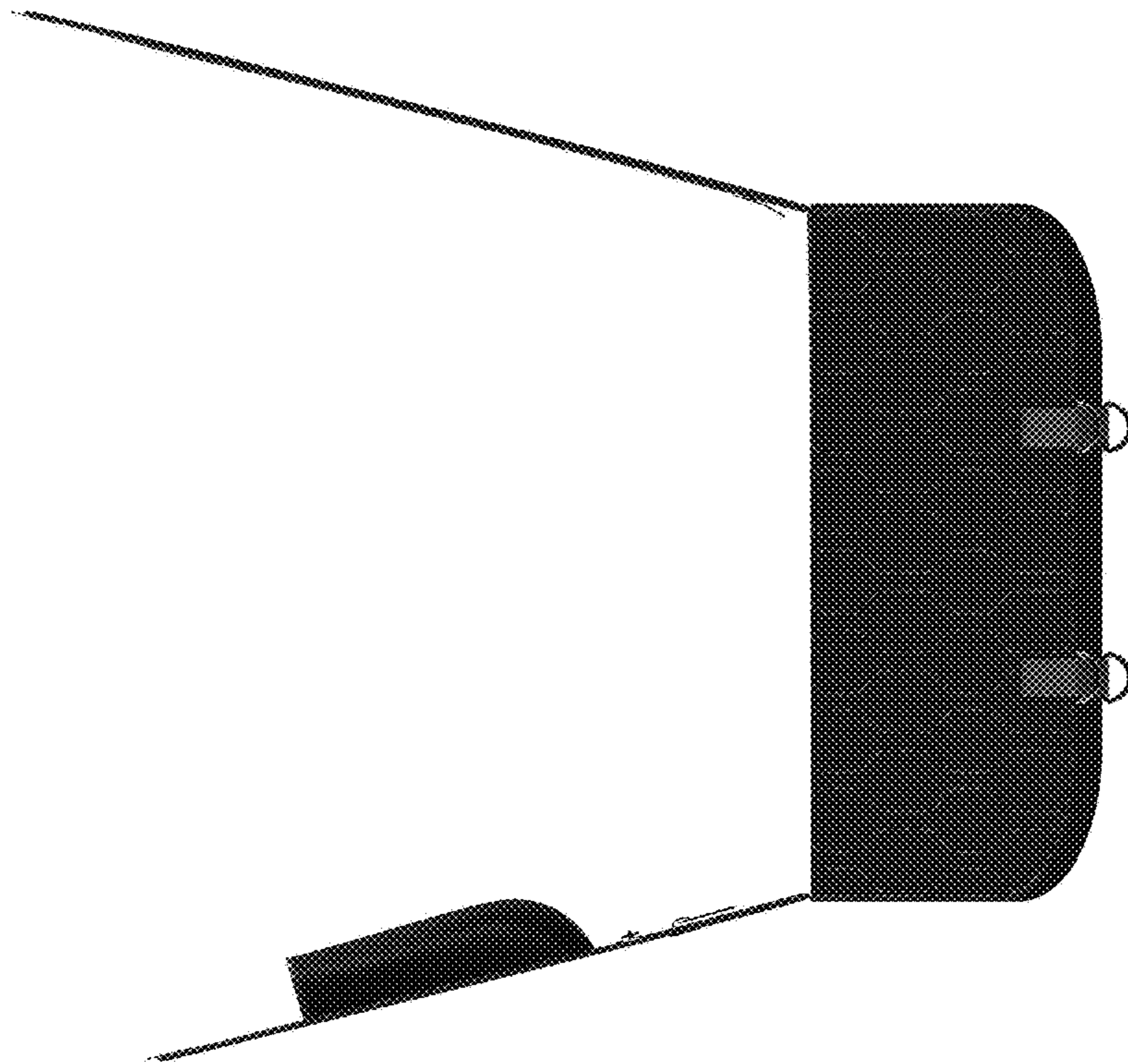


FIG. 7



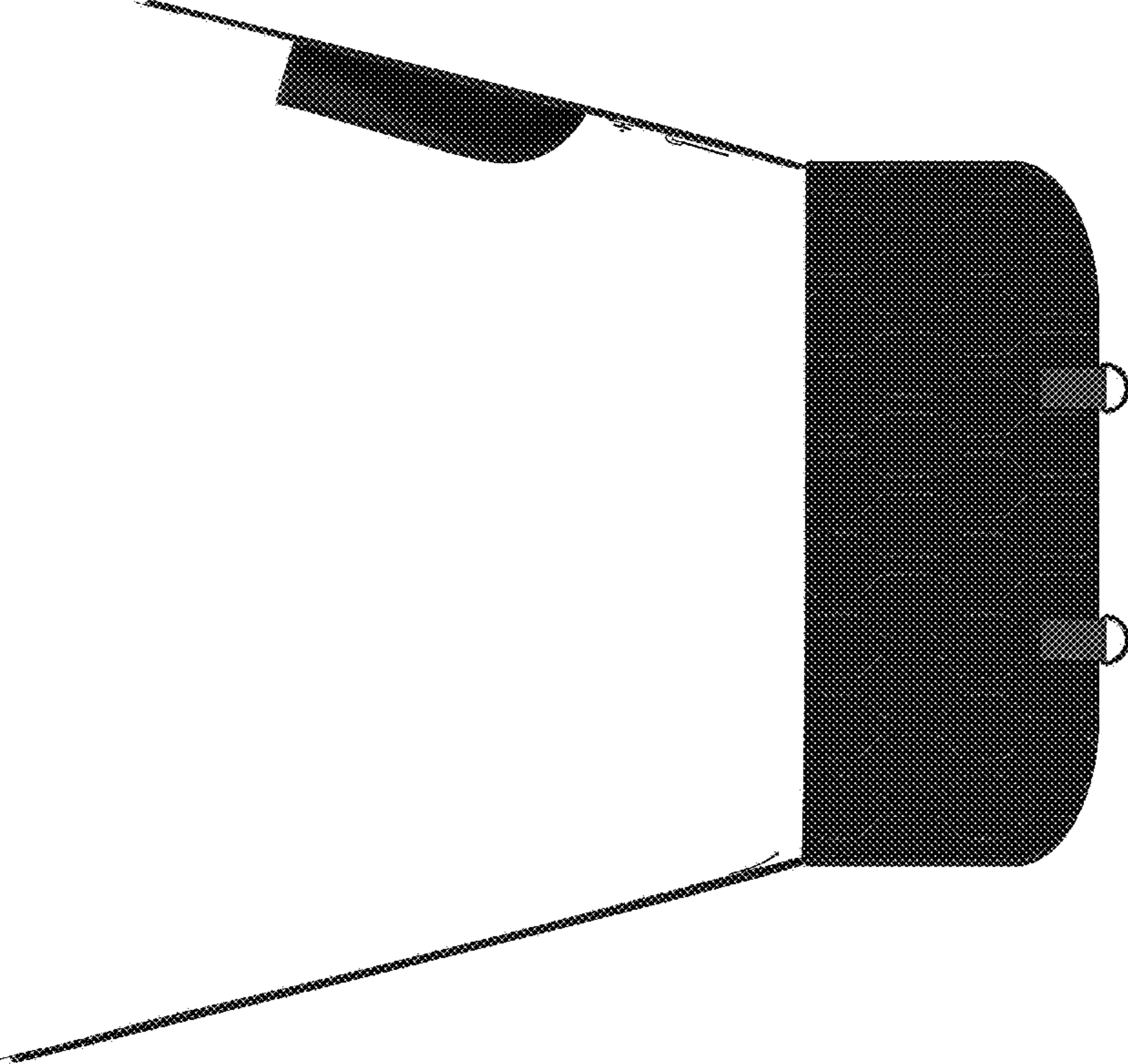


FIG. 8



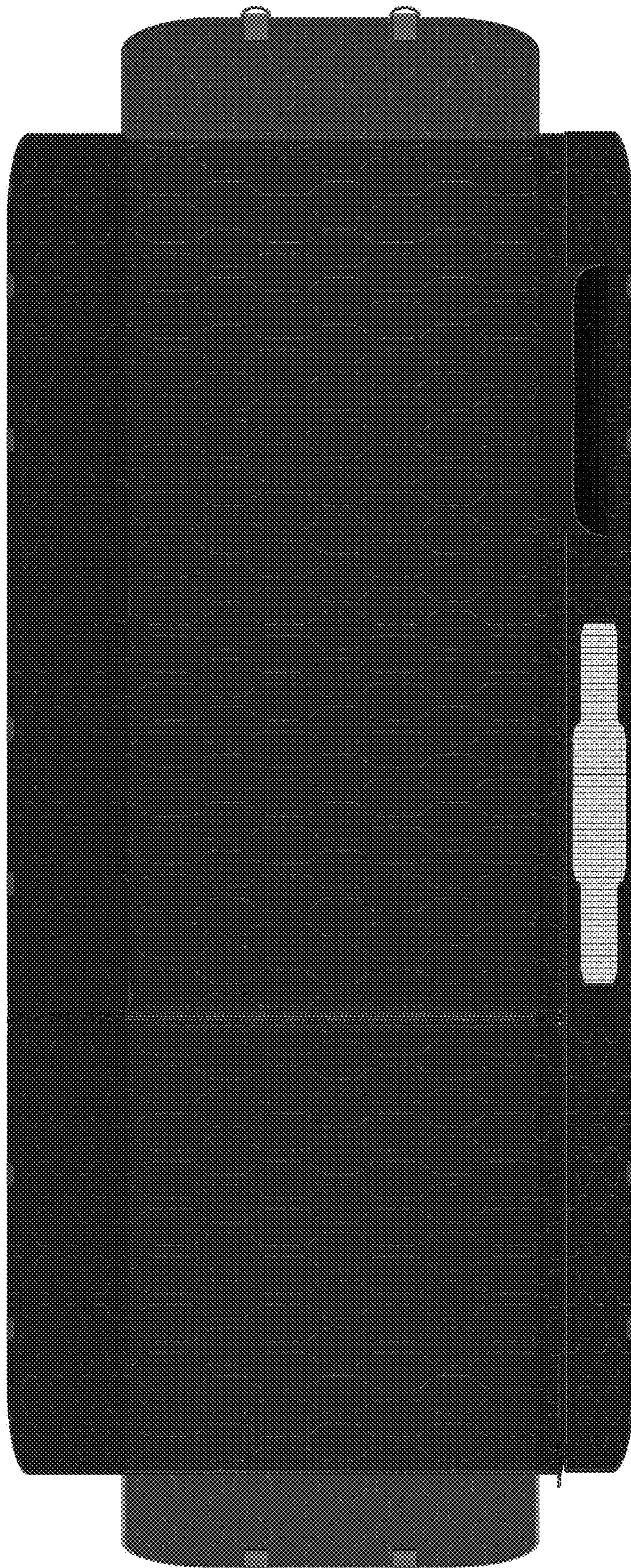


FIG. 9



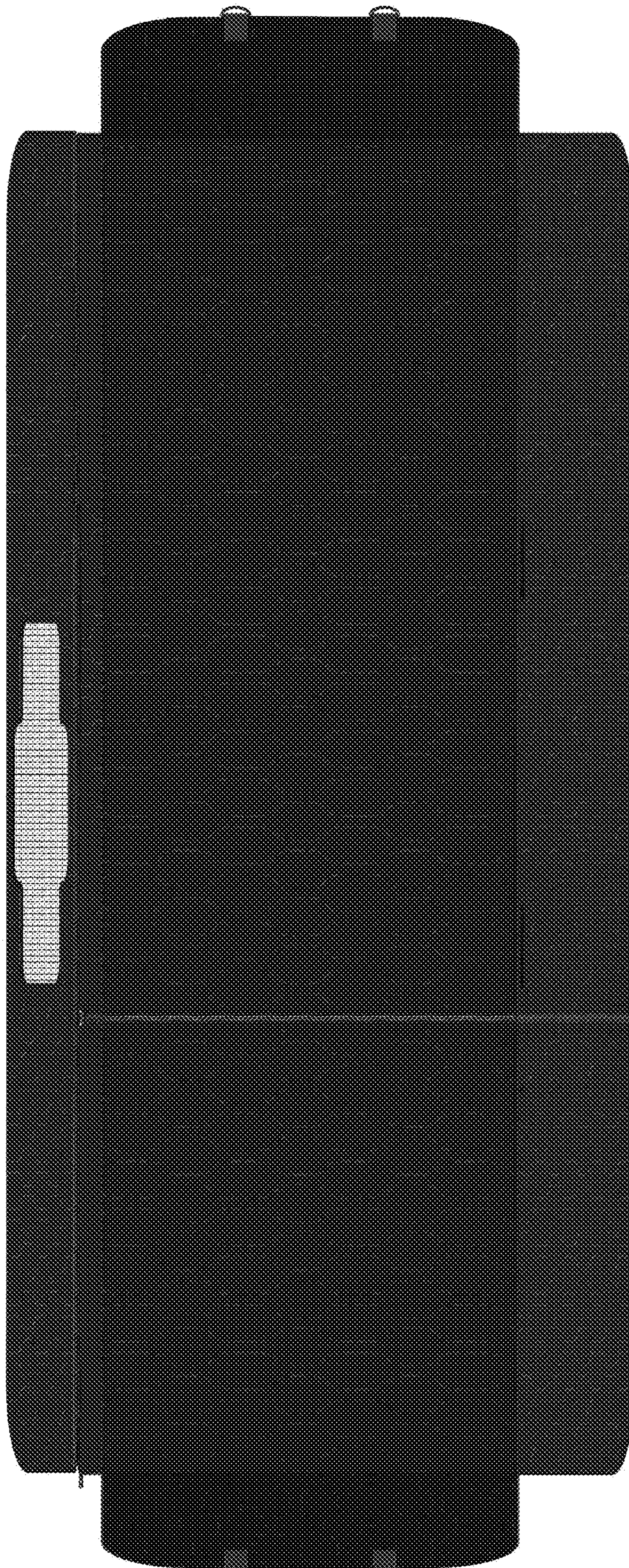


FIG. 10