



US00D883714S

(12) **United States Design Patent** (10) **Patent No.:** **US D883,714 S**
Comercio (45) **Date of Patent:** **** May 12, 2020**

(54) **MEDICAL SUPPORT PILLOW**
(71) Applicant: **THE OFFICIAL BBL PILLOW CORP.**, Miami Lakes, FL (US)
(72) Inventor: **Gustavo Comercio**, Queens, NY (US)
(73) Assignee: **THE OFFICIAL BBL PILLOW CORP.**, Miami Lakes, FL (US)

D737,075 S * 8/2015 Albrecht D6/601
D755,543 S * 5/2016 Upadhyay D6/601
D771,414 S * 11/2016 Krishtul D6/601
D808,194 S * 1/2018 Wyborn D6/601
D836,363 S * 12/2018 Cornelius D6/601
D854,353 S * 7/2019 Xiang D6/596
D863,822 S * 10/2019 Chen D6/601
D863,824 S * 10/2019 Comercio D6/601
D867,021 S * 11/2019 Yang D6/601
2013/0198961 A1 * 8/2013 Davis A47C 7/62
5/648

(**) Term: **15 Years**

(21) Appl. No.: **29/618,781**

(22) Filed: **Sep. 24, 2017**

(51) **LOC (12) Cl.** **06-09**

(52) **U.S. Cl.**
USPC **D6/601**

(58) **Field of Classification Search**
USPC D3/213; D6/349, 596, 601, 611;
D24/183, 190; D30/118, 160
CPC A47C 16/00; A47C 7/021; A47C 7/029;
A47C 7/18; A47C 7/62; A47G
2009/1018; A47G 9/10; A61G 5/1045
See application file for complete search history.

(56) **References Cited**

U.S. PATENT DOCUMENTS

D241,700 S * 10/1976 Wattie D6/601
D285,512 S * 9/1986 Bool D6/596
D292,767 S * 11/1987 Challen D6/596
D311,109 S * 10/1990 Geschwender D6/601
D311,470 S * 10/1990 Cosgrove, III 5/648
D316,354 S * 4/1991 Bool D6/601
D354,876 S * 1/1995 Pace D6/596
D477,492 S * 7/2003 Moody D6/601
D546,107 S * 7/2007 Babcock D6/601
D715,579 S * 10/2014 Scarlett D6/601
D722,449 S * 2/2015 Krishtul
D732,313 S * 6/2015 Fux D6/601

OTHER PUBLICATIONS

“Brazilian Butt Lift Recovery Driving Pillow.” Found online Dec. 2, 2019 at www.amazon.com. Product reviewed Jan. 28, 2018. Retrieved from URL: <https://www.amazon.com/listings-Brazilian-Support-Recovery-Augmentation/dp/B076GDWXJ6> (Year: 2018).*

(Continued)

Primary Examiner — Mary Ann Calabrese
Assistant Examiner — Katelin G Kloberg
(74) *Attorney, Agent, or Firm* — Mark C. Johnson;
Johnson Dalal

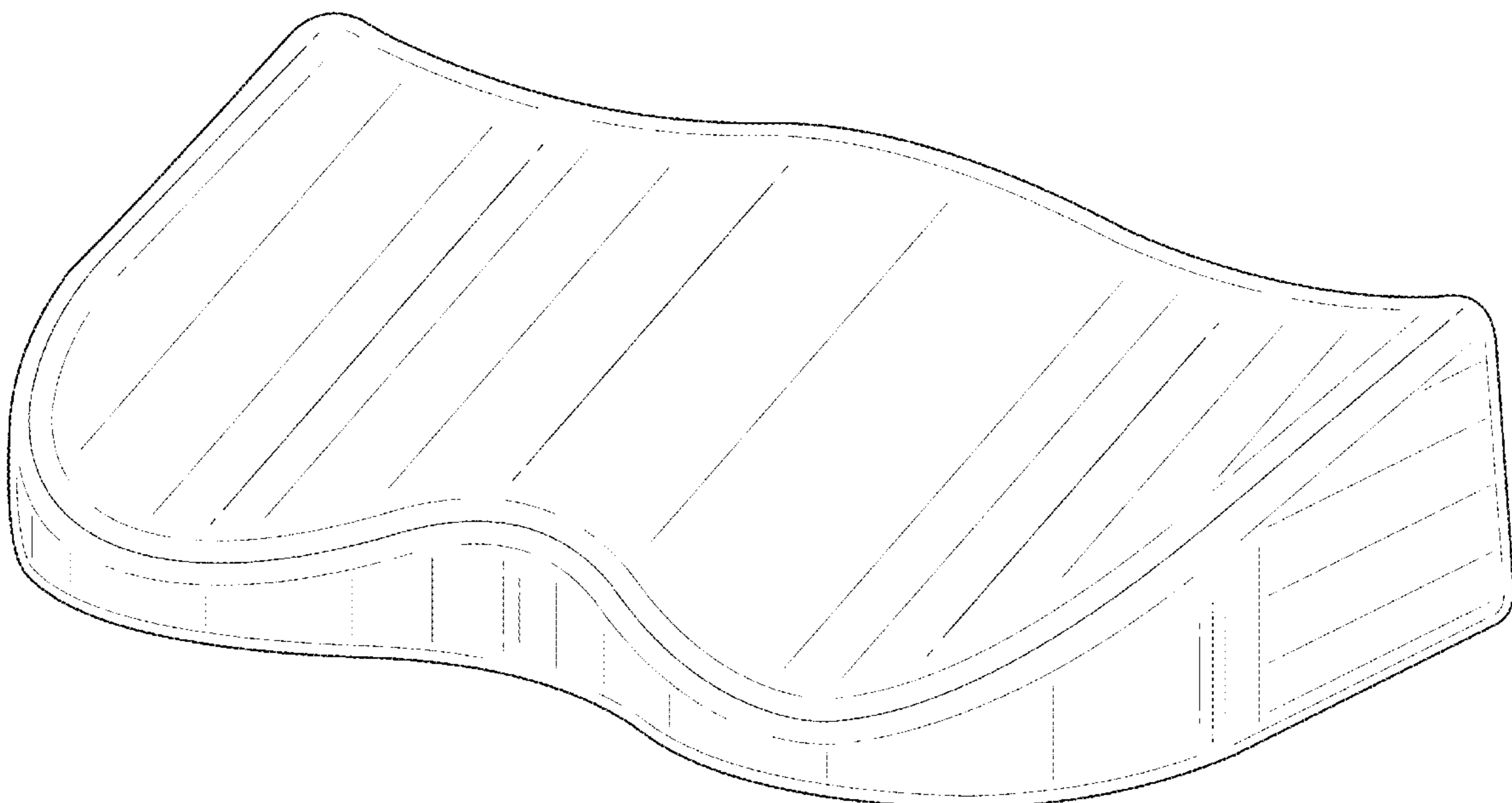
(57) **CLAIM**

The ornamental design for a medical support pillow, as depicted and described.

DESCRIPTION

FIG. 1 is a perspective view of a medical support pillow, showing my new design;
FIG. 2 is a front elevation view thereof;
FIG. 3 is a rear elevation view thereof;
FIG. 4 is a left side elevation view thereof;
FIG. 5 is a right side elevation view thereof;
FIG. 6 is a top plan view thereof; and,
FIG. 7 is a bottom plan view thereof.

1 Claim, 7 Drawing Sheets



(56)

References Cited

OTHER PUBLICATIONS

“CozyCali Brazilian Butt Lift BBL Pillow.” Found online Dec. 2, 2019 at www.amazon.com. Product reviewed Aug. 19, 2018. Retrieved from URL: <https://www.amazon.com/CozyCali-Brazilian-Surgery-Support-Recovery/dp/B07CMS43ND> (Year: 2018).*

“Booty Buddy Brazilian Butt Lift Support Cushion.” Found online Dec. 2, 2019 at thebootybuddy.com. Product reviewed Dec. 28, 2015. Retrieved from URL: <https://thebootybuddy.com/#shopify-product-reviews> (Year: 2015).*

“Brazilian Butt Lift Pillow.” Found online Dec. 2, 2019 at www.amazon.com. Product reviewed Aug. 13, 2019. Retrieved from URL: <https://tinyurl.com/u5d3uy4> (Year: 2019).*

* cited by examiner

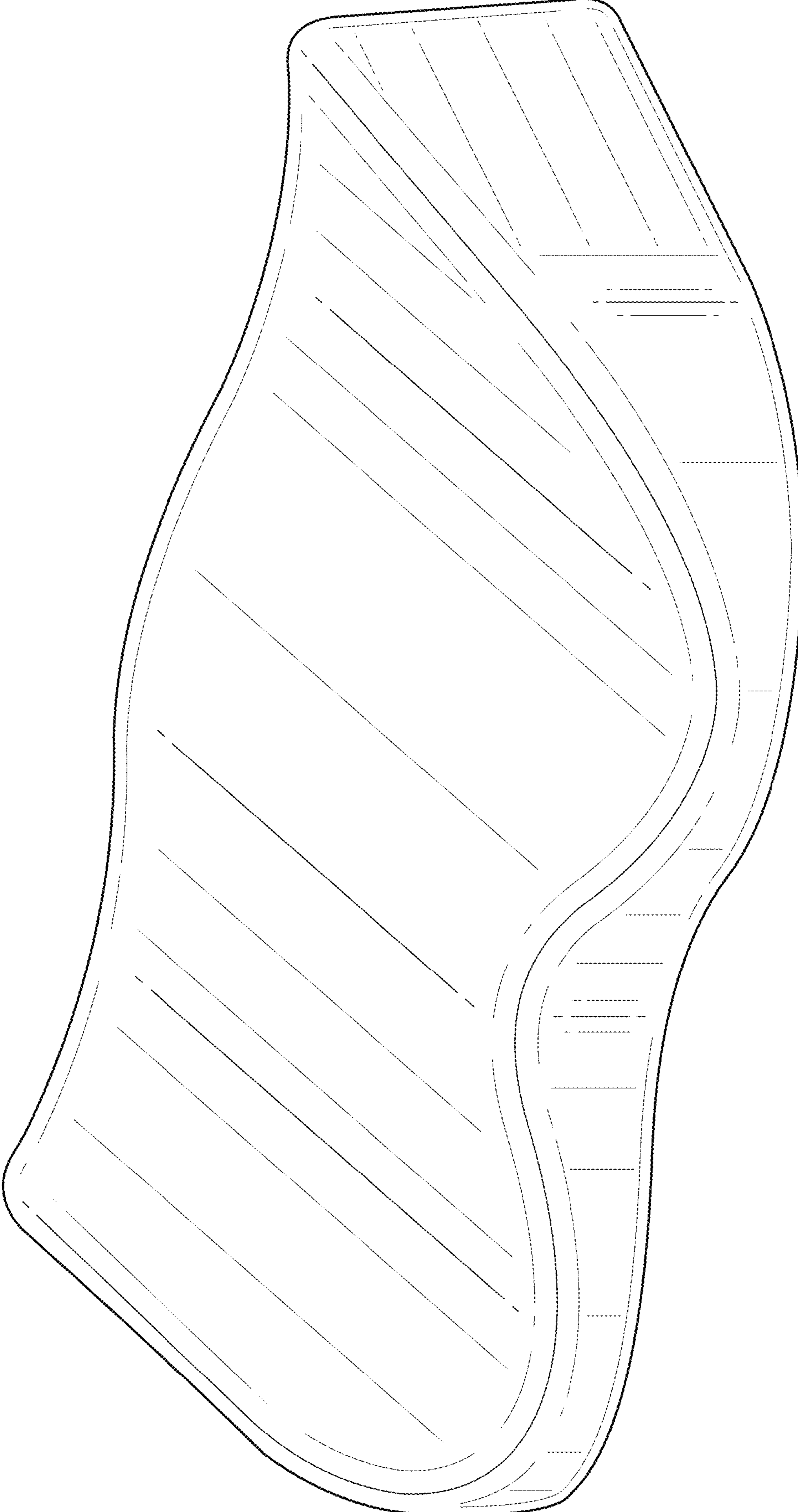


FIG. 1

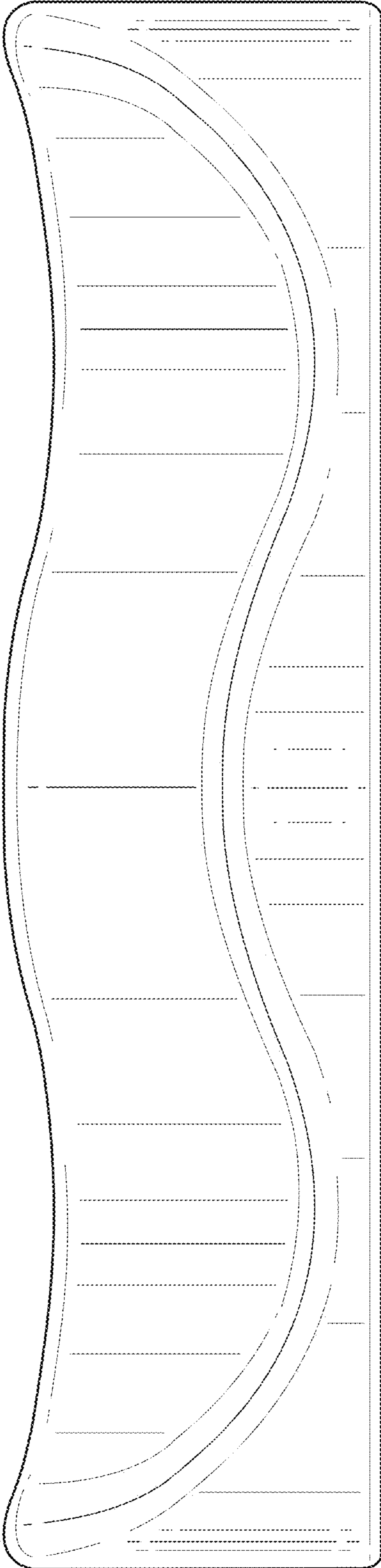


FIG. 2

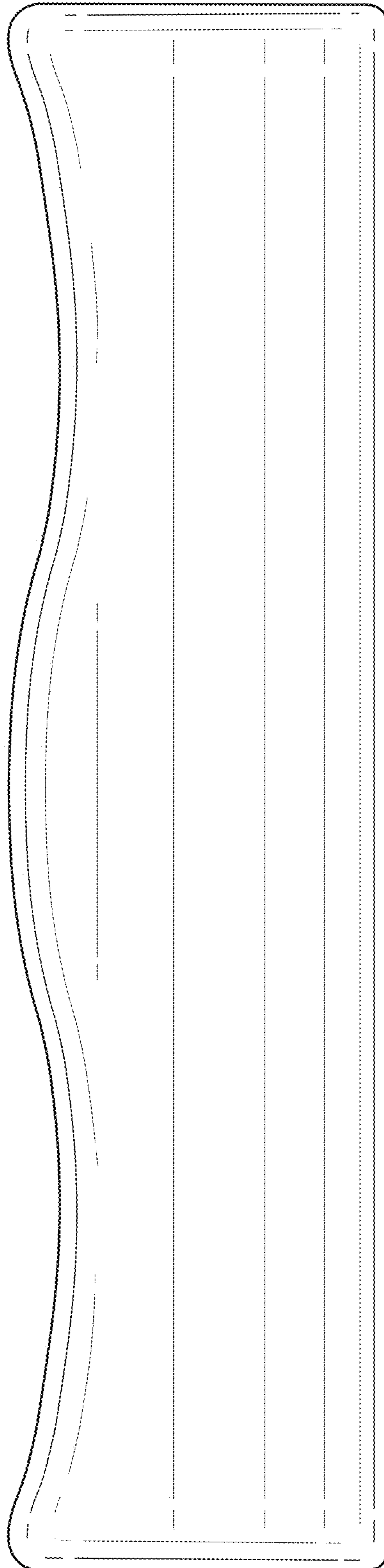


FIG. 3

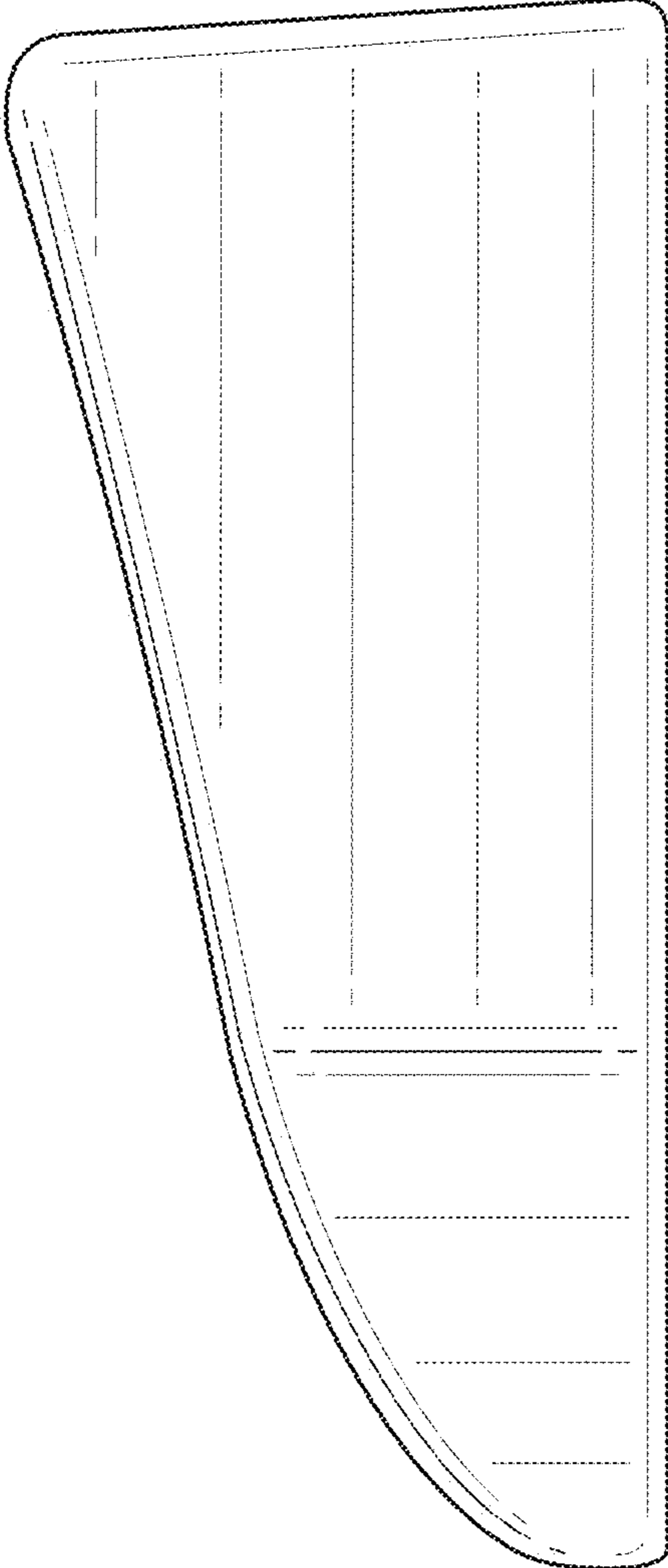


FIG. 4

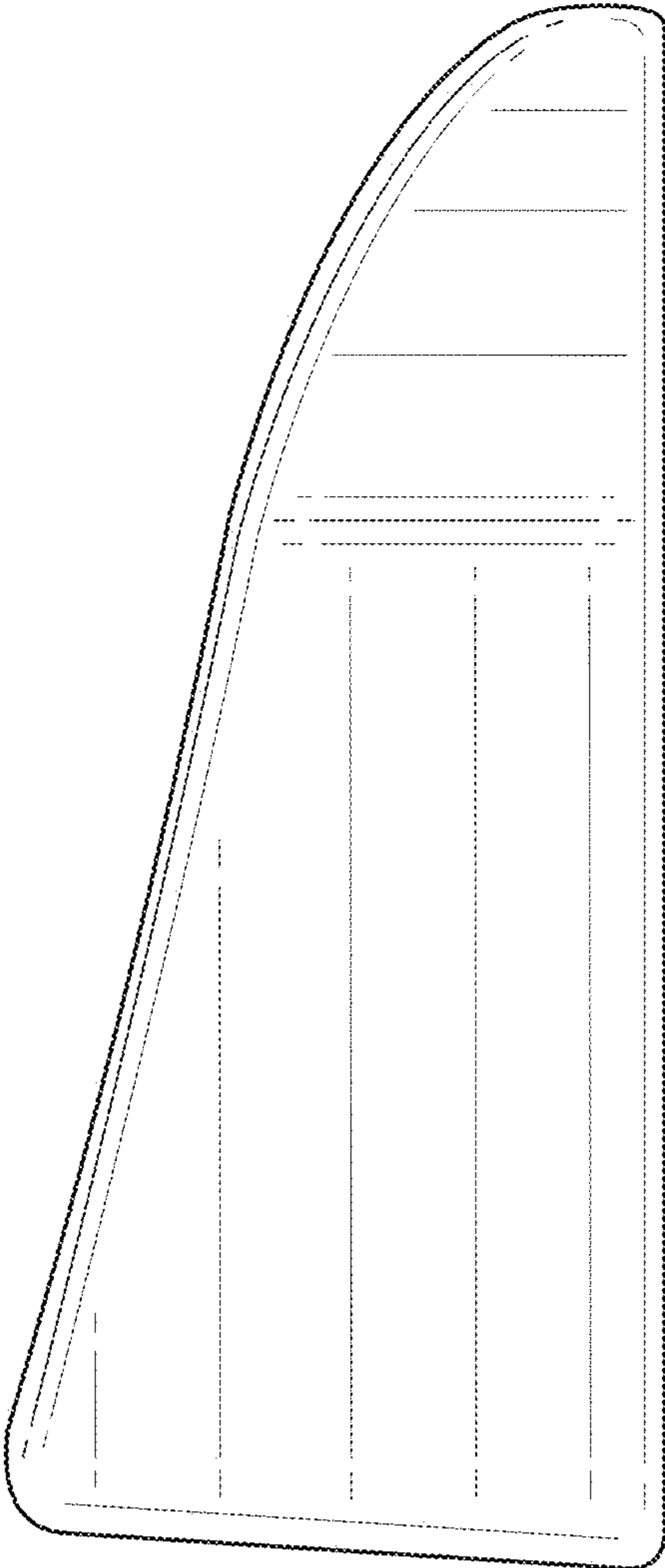


FIG. 5

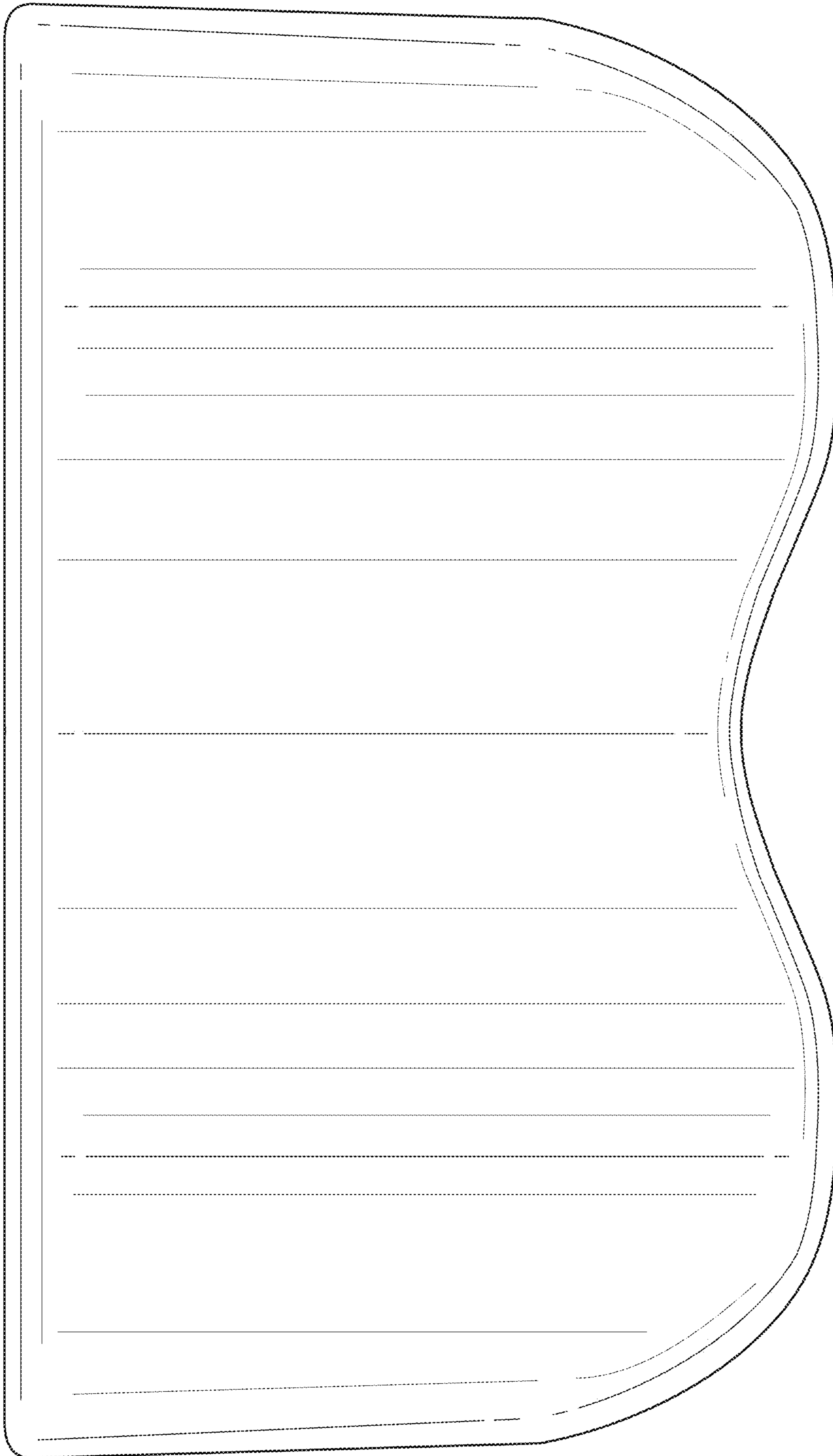


FIG. 6



FIG. 7