



US00D883710S

(12) **United States Design Patent** (10) **Patent No.:** **US D883,710 S**
Chang et al. (45) **Date of Patent:** **** May 12, 2020**

(54) **CADDY**

D775,464 S * 1/2017 Aller D3/304
D784,045 S * 4/2017 MacKenzie D6/558
D787,857 S * 5/2017 MacKenzie D6/558

(71) Applicant: **3M INNOVATIVE PROPERTIES COMPANY**, St. Paul, MN (US)

FOREIGN PATENT DOCUMENTS

(72) Inventors: **Pei Chun Chang**, Taoyuan (TW);
Hui-Lin Wang, Taipei (TW);
Tzu-Chen Fu, Taoyuan (TW);
Chien-Chi Chiu, Taipei (TW)

EM 000916812-0001 5/2008
EM 002280495-0001 8/2013
EM 002280495-0002 8/2013
EM 002280495-0003 8/2013
EM 002280495-0004 8/2013
EM 003319359-0001 8/2016
JP 1110351 6/2001
JP 1110673 6/2001
JP 1507892 9/2014
TW D156748 11/2013
TW D159078 3/2014

(73) Assignee: **3M Innovative Properties Company**, St. Paul, MN (US)

(**) Term: **15 Years**

(21) Appl. No.: **29/625,615**

OTHER PUBLICATIONS

(22) Filed: **Nov. 10, 2017**

Hola Home, [retrieved from the internet Aug. 21, 2018], pp. 1-3
<<https://www.trplus.com.tw/p/014097924>>.

(51) **LOC (12) Cl.** **23-02**

(52) **U.S. Cl.**
USPC **D6/553**

* cited by examiner

(58) **Field of Classification Search**
USPC D6/553, 512-514, 525, 524, 536, 540,
D6/566; 211/13.1, 74, 71.01, 86.01, 75,
211/126.1, 133.5, 181.1, 134; D3/304
CPC A47K 17/00; A47K 3/281; A47K 3/001;
B23P 17/04; A47B 57/265; A47B 57/565;
A47B 57/26

Primary Examiner — Nathan M Johnston
(74) *Attorney, Agent, or Firm* — Kevin Weber

See application file for complete search history.

(57) **CLAIM**

The ornamental design for a caddy, as shown and described.

(56) **References Cited**

DESCRIPTION

U.S. PATENT DOCUMENTS

D208,289 S * 8/1967 Feurer D3/228
D256,859 S * 9/1980 Hauser D6/545
D402,839 S * 12/1998 Bova D6/540
D407,252 S * 3/1999 Hampshire D6/540
D409,031 S * 5/1999 McNaughton D6/546
D419,808 S * 2/2000 Hampshire D3/304
D532,639 S * 11/2006 Snell D6/567
D566,361 S * 4/2008 Snell D32/55
D616,688 S * 6/2010 Hernandez D6/553
D652,661 S * 1/2012 Lipfert D6/556

FIG. 1 is a perspective view showing the new design for a caddy;

FIG. 2 is a front view thereof;

FIG. 3 is a left side view thereof, a right side view being a mirror image thereof;

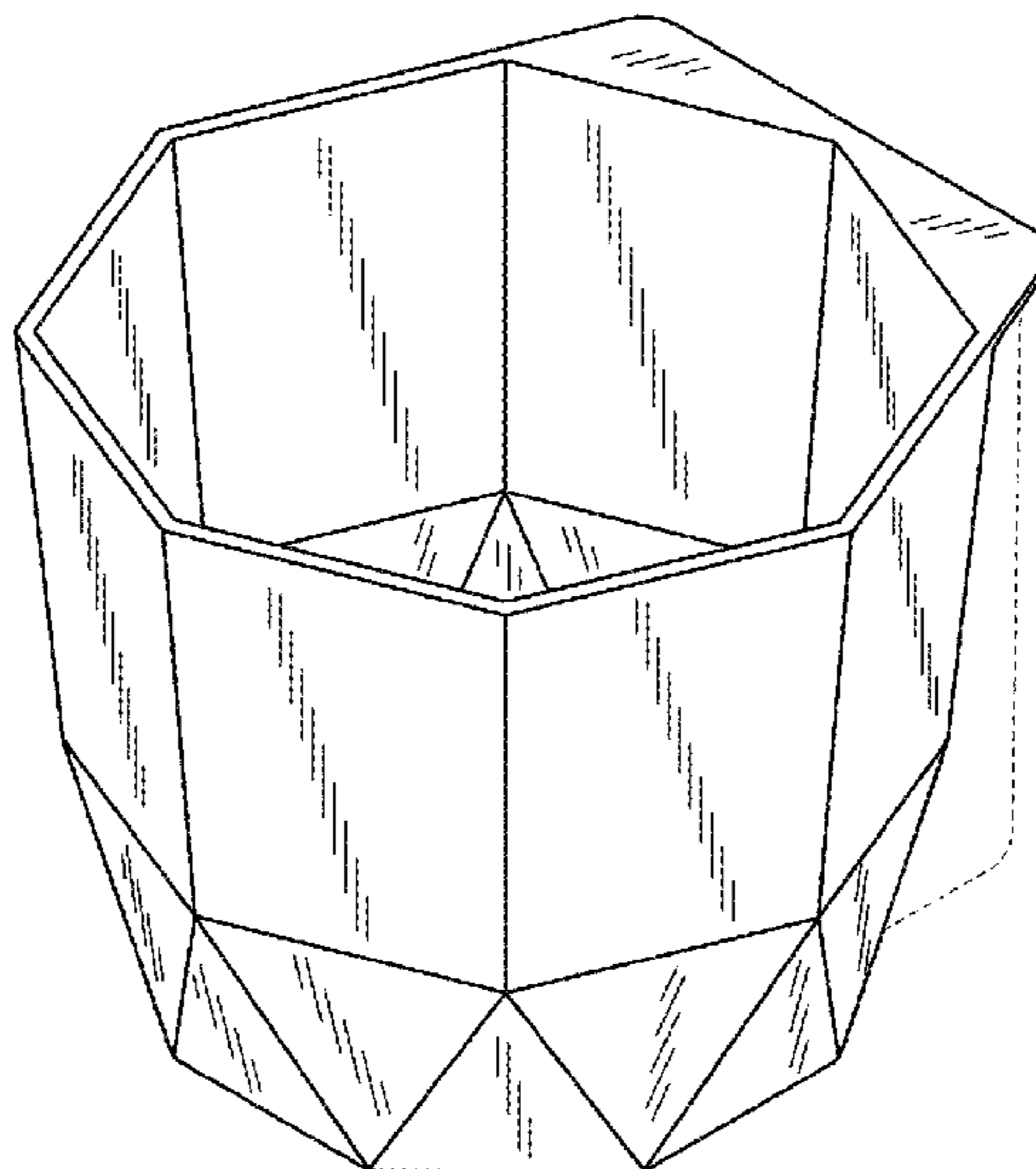
FIG. 4 is a rear view thereof;

FIG. 5 is a top view thereof; and,

FIG. 6 is a bottom view thereof.

The broken lines show portions of the caddy that form no part of the claimed design.

1 Claim, 3 Drawing Sheets



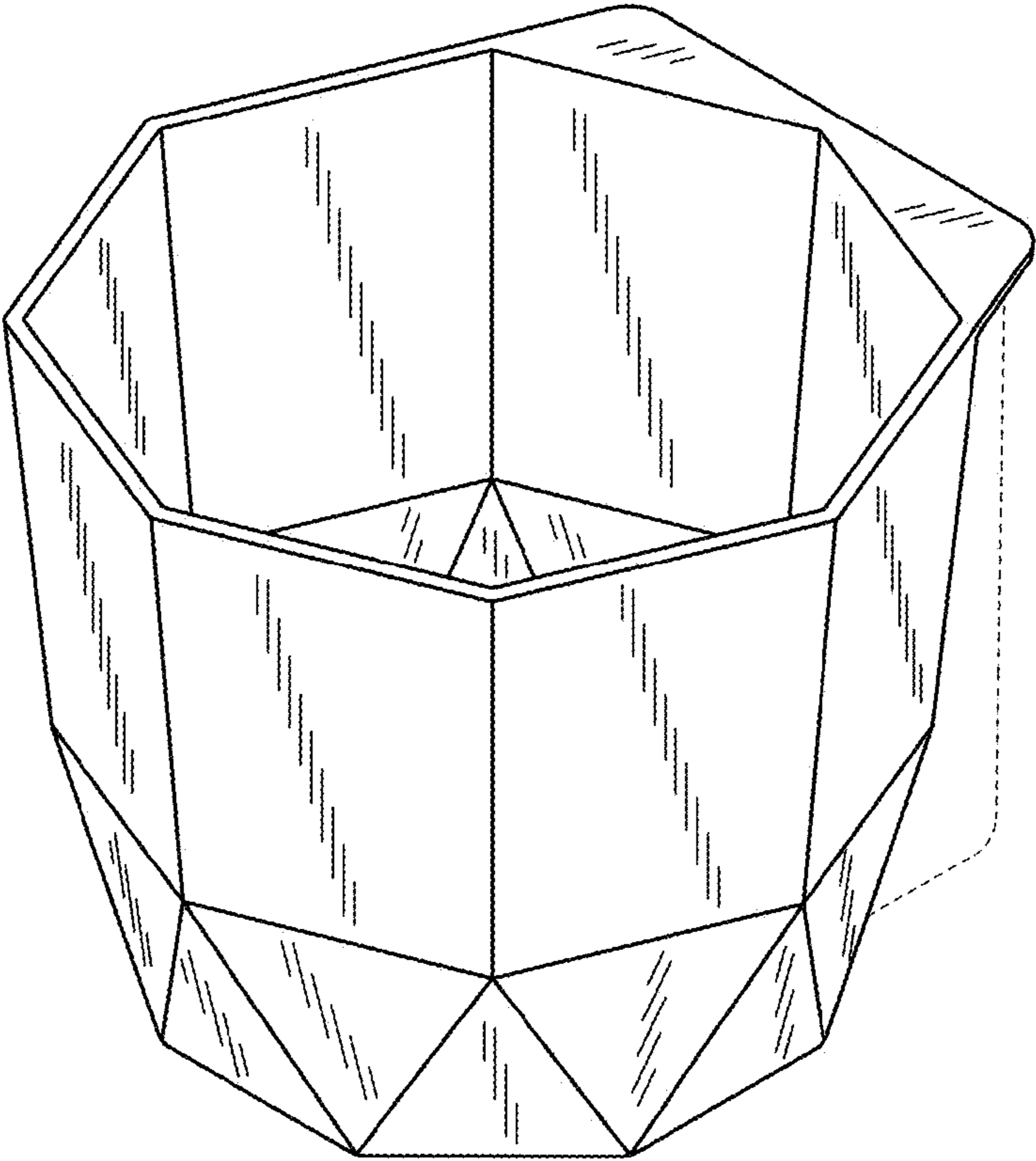


FIG. 1

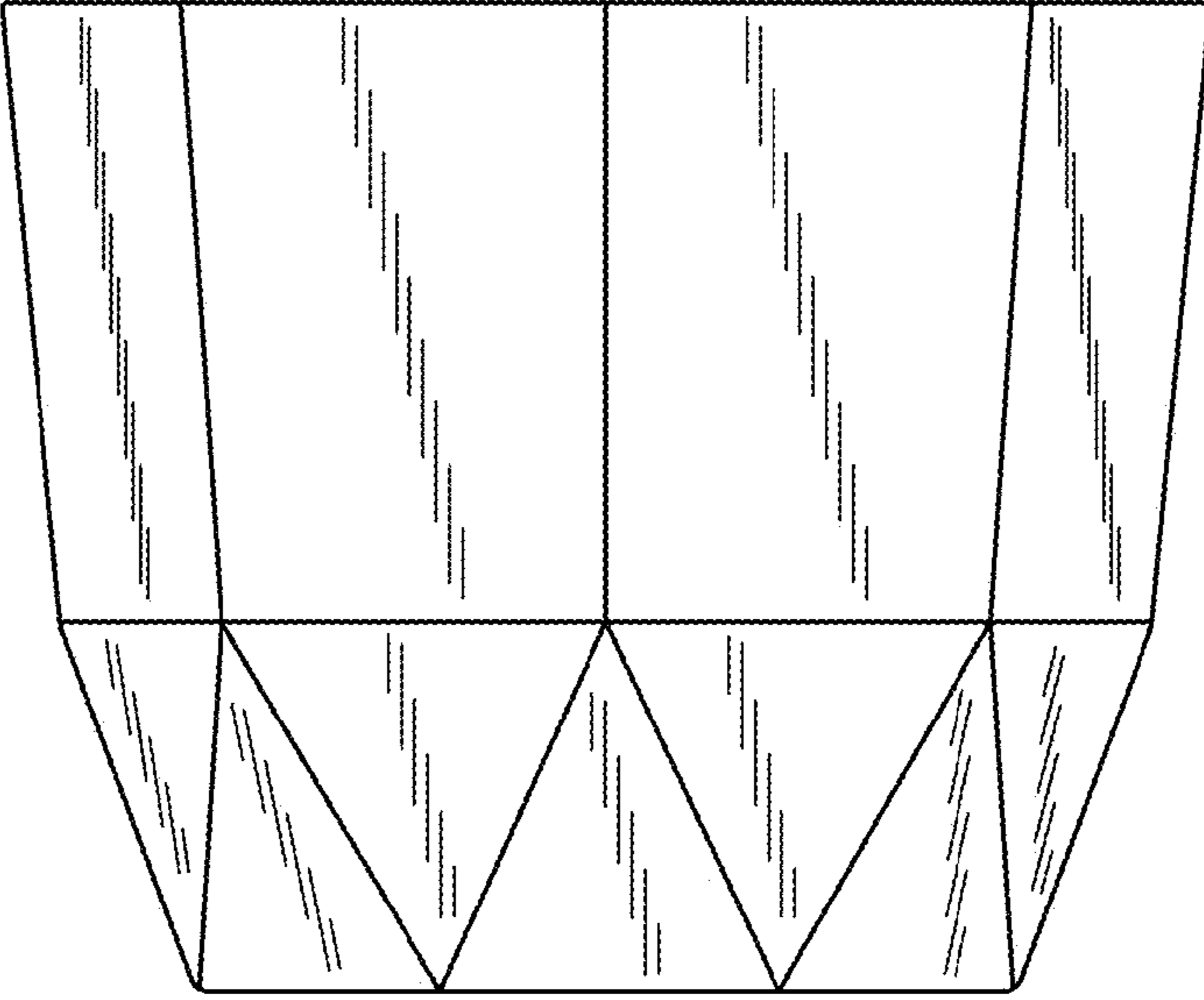


FIG. 2

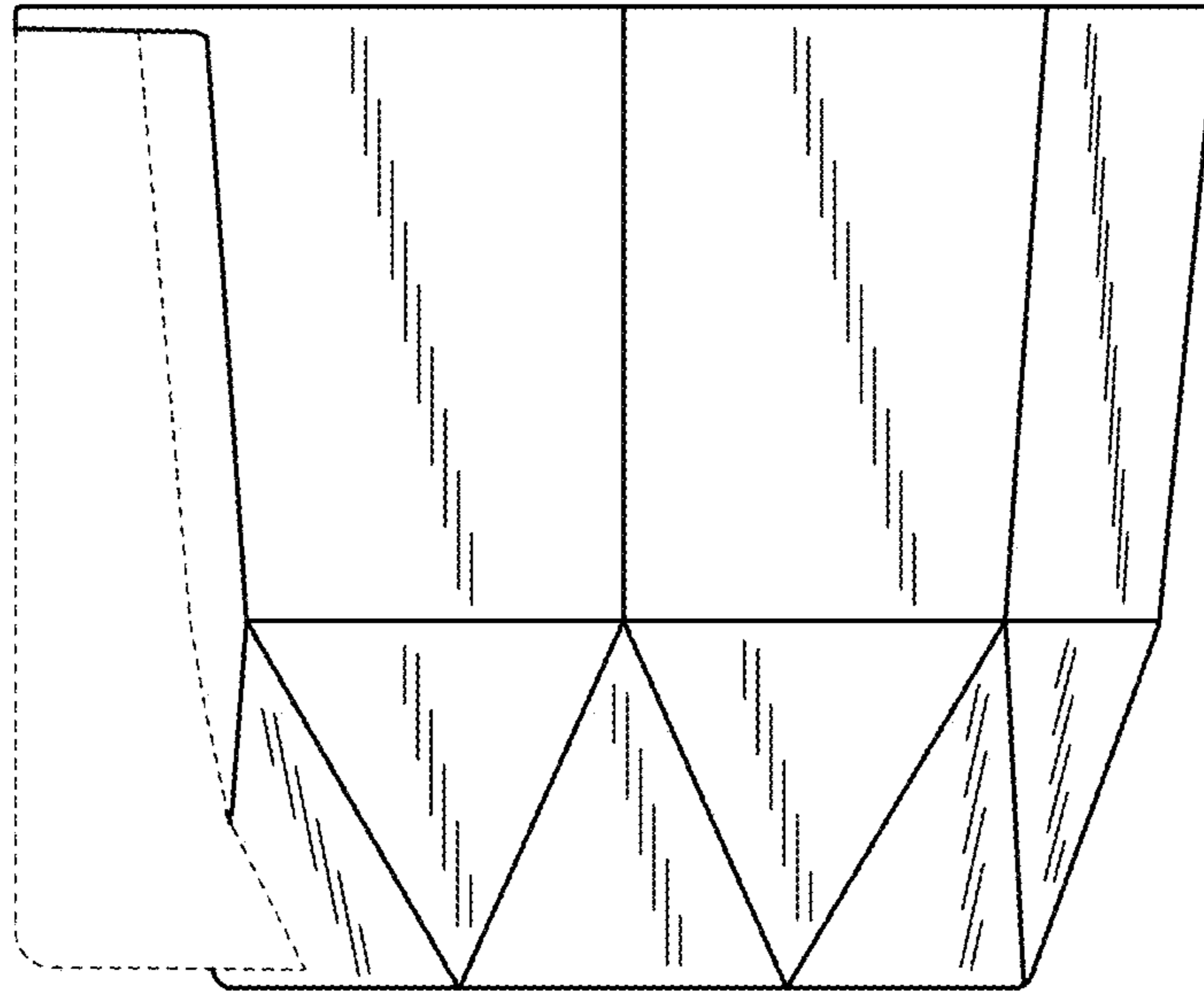


FIG. 3

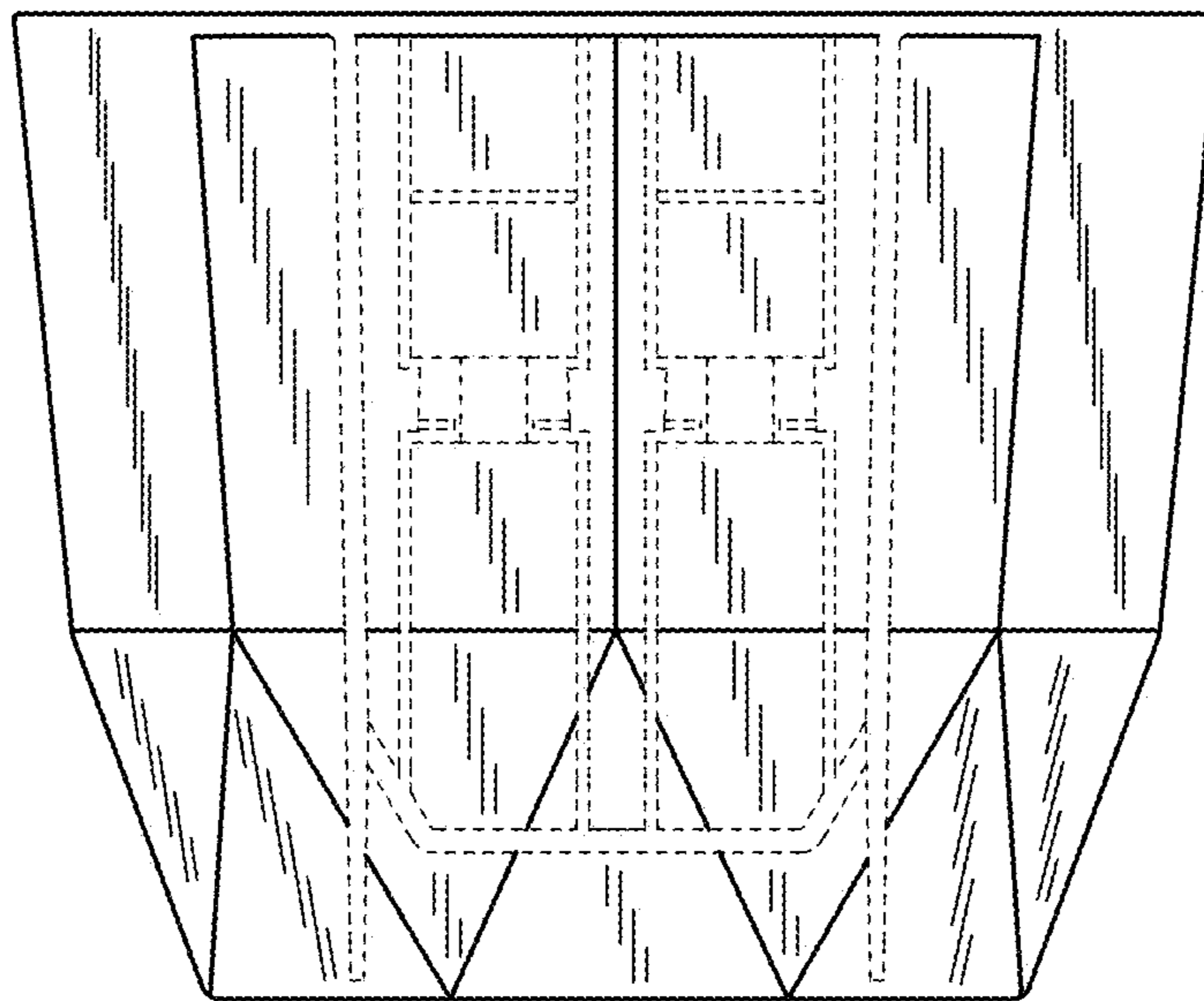


FIG. 4

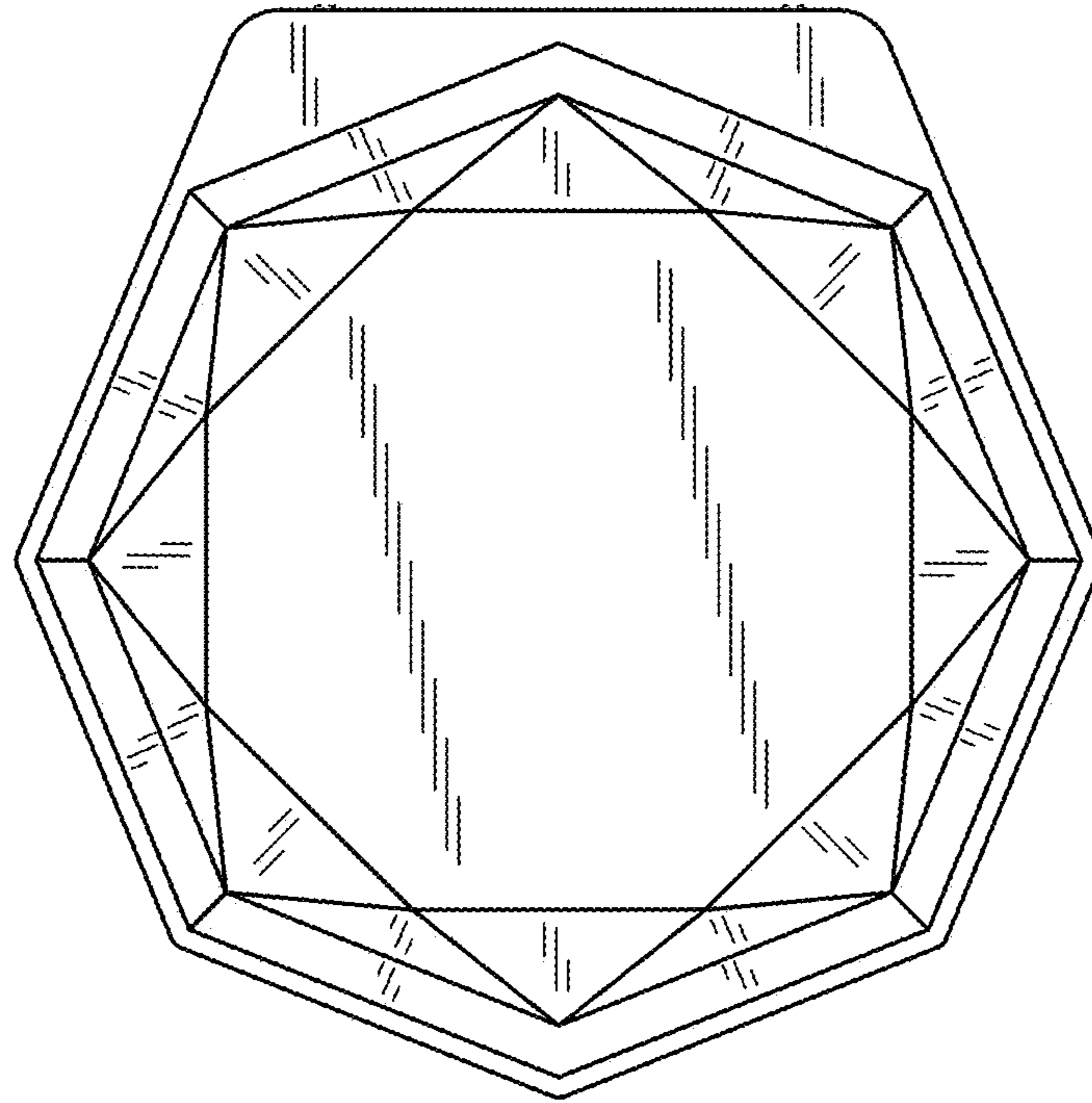


FIG. 5

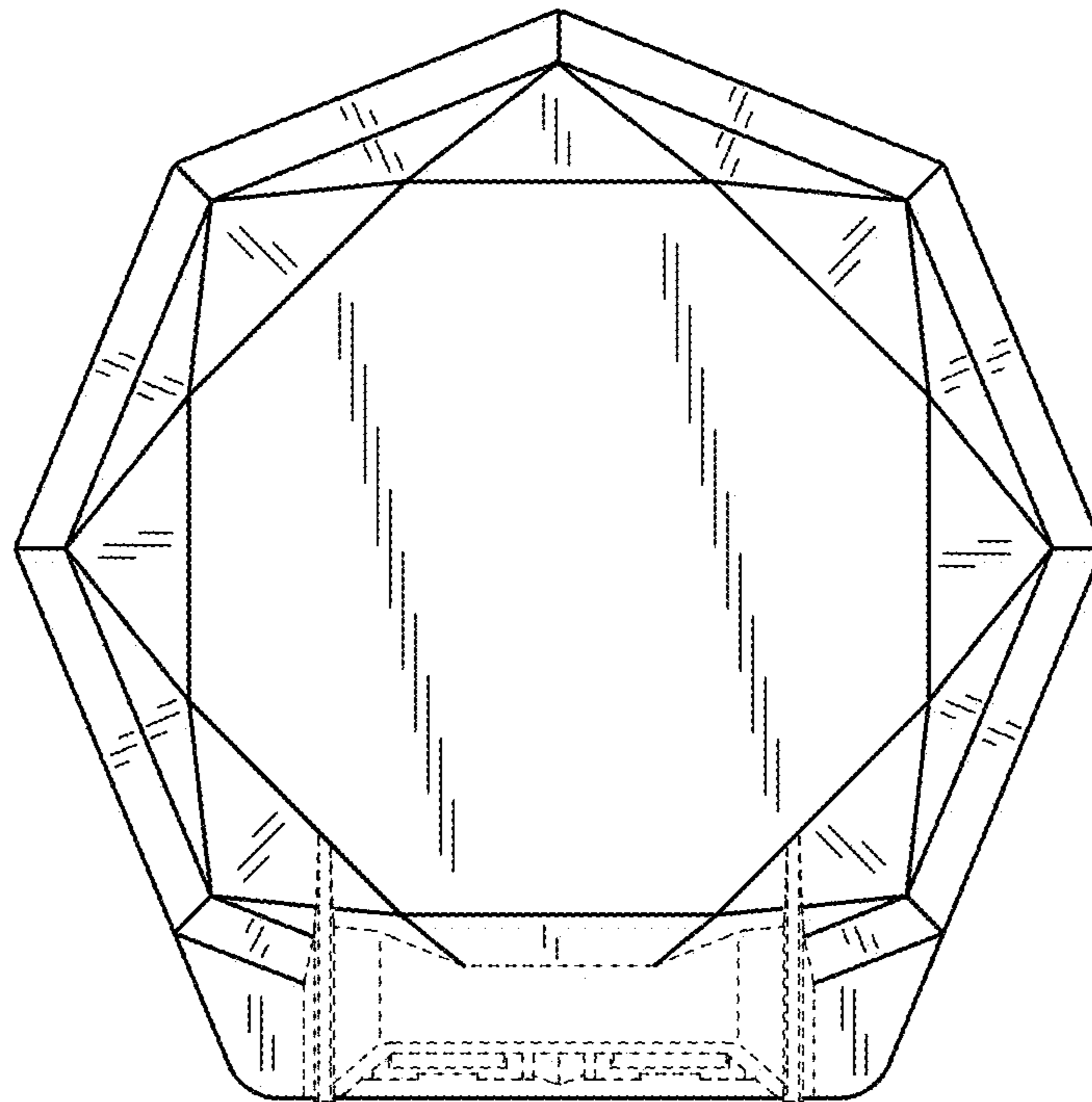


FIG. 6