



US00D883704S

(12) **United States Design Patent**  
**Monnes et al.**

(10) **Patent No.:** **US D883,704 S**

(45) **Date of Patent:** **\*\* May 12, 2020**

(54) **CLAMP-MOUNTED STAND-UP DESK**

(71) Applicant: **Robert H. Monnes**, South Kingstown,  
RI (US)

(72) Inventors: **Robert H Monnes**, South Kingstown,  
RI (US); **Brian Sundberg**, Candia, NH  
(US); **Allan R. Ferarro, Sr.**, Attleboro,  
MA (US)

(73) Assignee: **Robert Monnes**, South Kingstown, RI  
(US)

(\*\*) Term: **15 Years**

(21) Appl. No.: **29/650,373**

(22) Filed: **Jun. 6, 2018**

(51) **LOC (12) Cl.** ..... **06-06**

(52) **U.S. Cl.**  
USPC ..... **D6/406.1**

(58) **Field of Classification Search**  
USPC ..... D6/406.1, 406.2, 406.3, 406.4, 406.5,  
D6/406.6, 672, 675, 656, 656.15  
CPC ..... A47B 23/00; A47B 23/02; A47B 23/04;  
A47B 2023/049; A47B 3/00; A47B 5/02  
See application file for complete search history.

(56) **References Cited**

**U.S. PATENT DOCUMENTS**

D270,588 S \* 9/1983 Kemple ..... D6/406.1  
D292,956 S \* 12/1987 Inoue ..... D6/406.1

D467,754 S \* 12/2002 Chen ..... D6/406.1  
D481,350 S \* 10/2003 McCoy ..... D12/400  
D588,829 S \* 3/2009 Rheault ..... D6/406.1  
D656,760 S \* 4/2012 Fox ..... D6/406.1  
D728,433 S \* 5/2015 Nishida ..... D12/128  
D766,610 S \* 9/2016 Johnson ..... D6/406.1  
D834,852 S \* 12/2018 Davis ..... D6/406.1  
D873,048 S \* 1/2020 Tsukii ..... D6/406.2

\* cited by examiner

*Primary Examiner* — Kelley A Donnelly

(74) *Attorney, Agent, or Firm* — Eric Karich; Karich &  
Associates

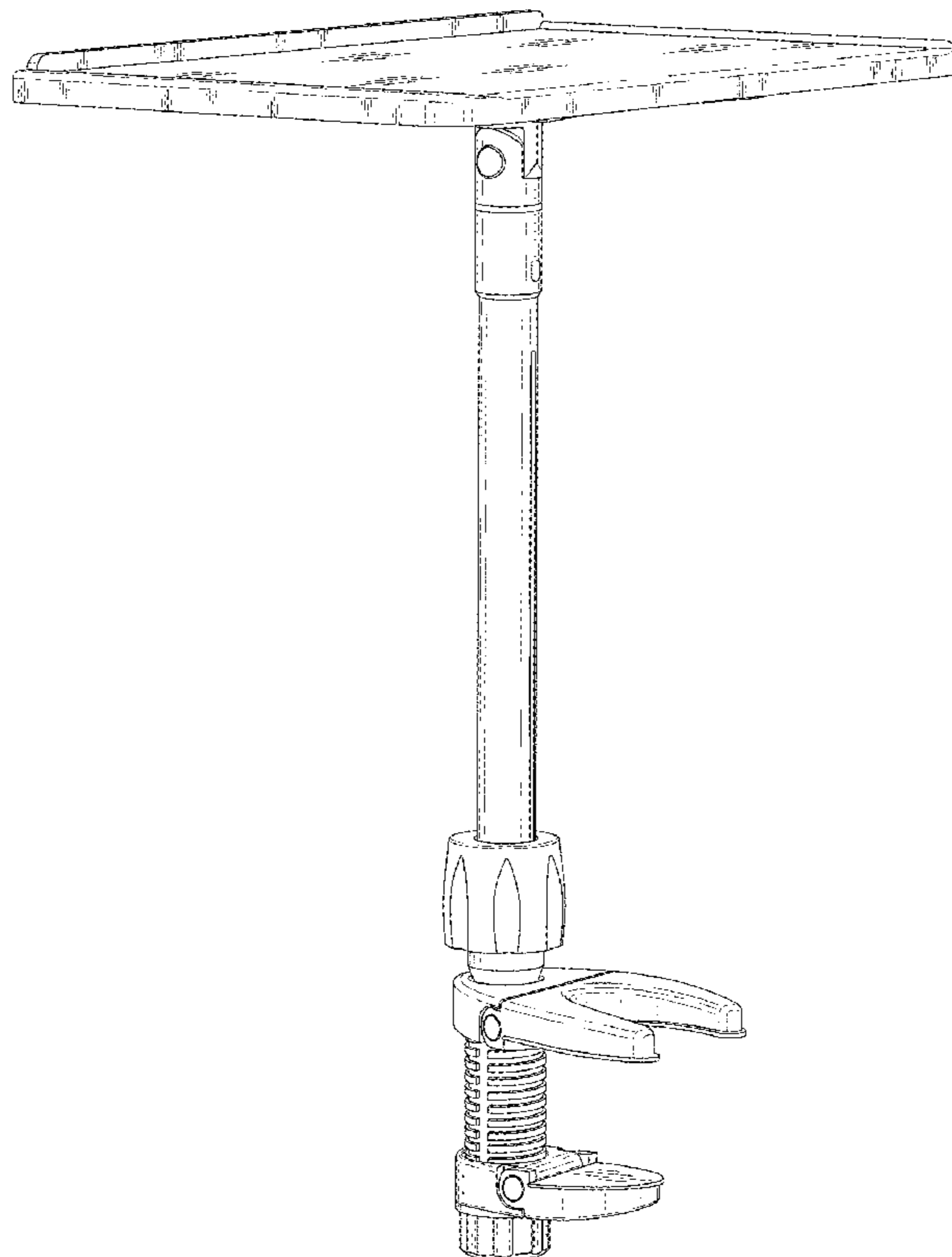
(57) **CLAIM**

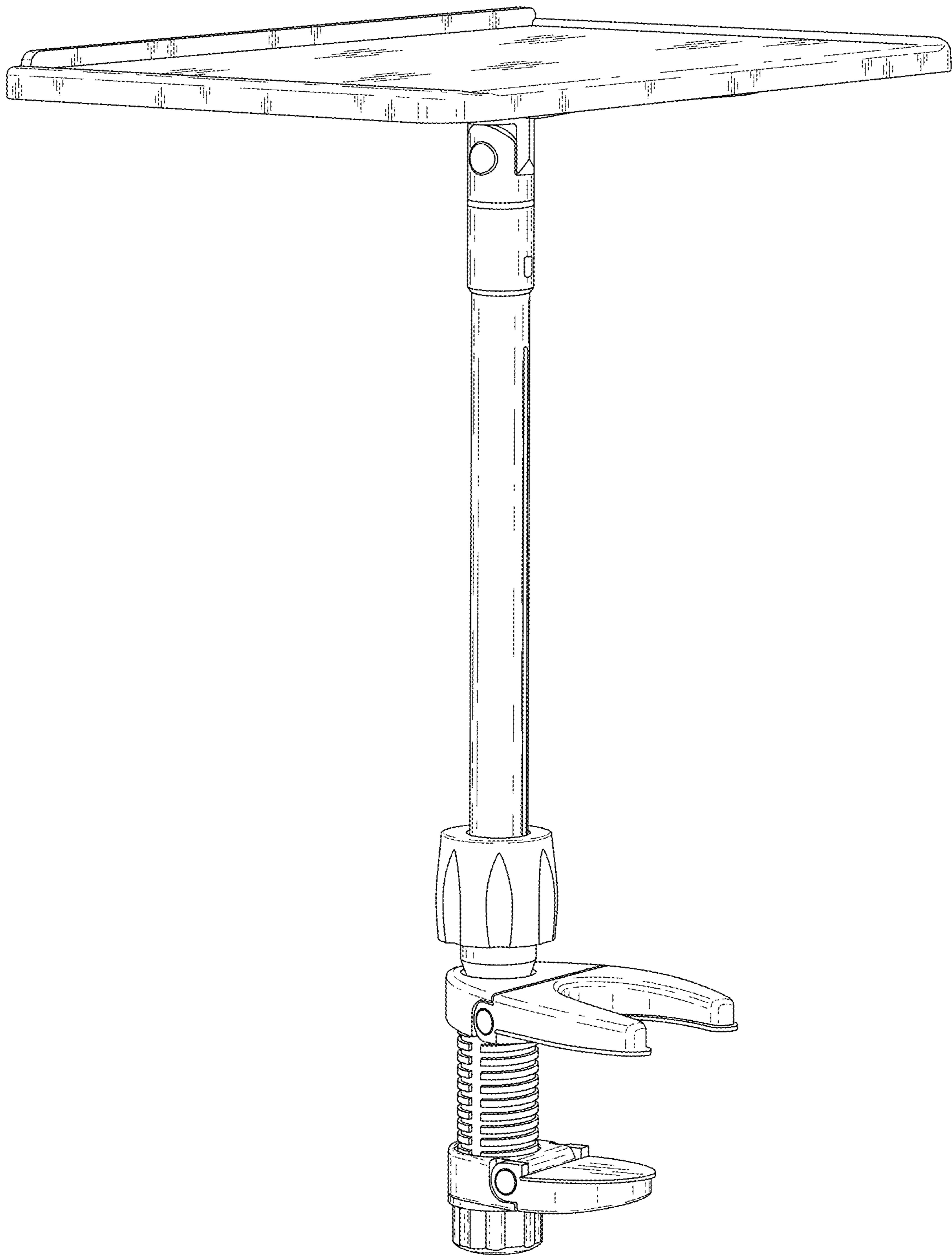
The ornamental design for a clamp-mounted stand-up desk,  
as shown and described.

**DESCRIPTION**

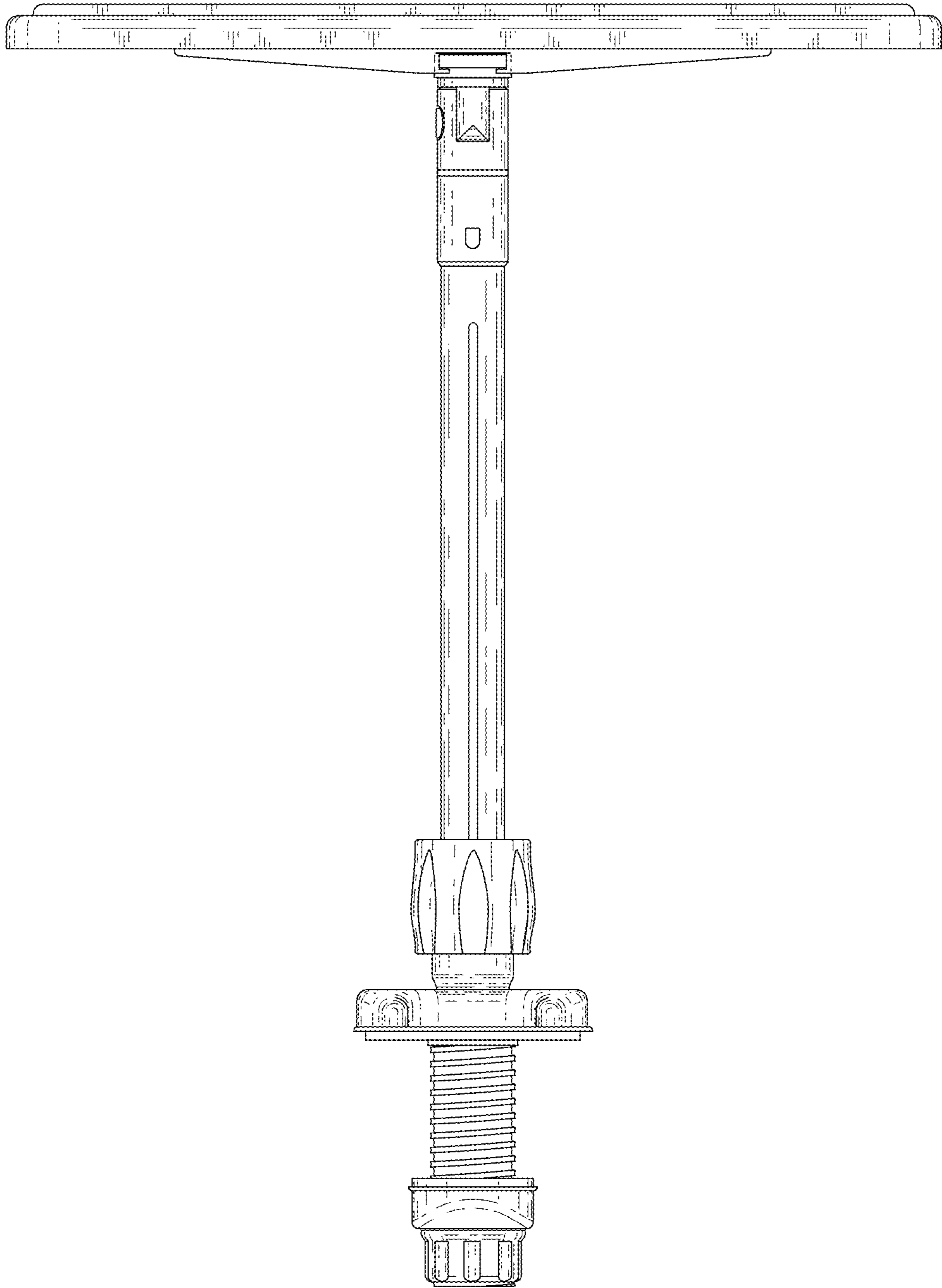
FIG. 1 is a perspective view of a clamp-mounted stand-up desk, showing my new design;  
FIG. 2 is a front elevational view thereof;  
FIG. 3 is a rear elevational view thereof;  
FIG. 4 is a left side elevational view thereof  
FIG. 5 is a right side elevational view thereof;  
FIG. 6 is a top plan view thereof; and,  
FIG. 7 is a bottom plan view thereof.

**1 Claim, 5 Drawing Sheets**

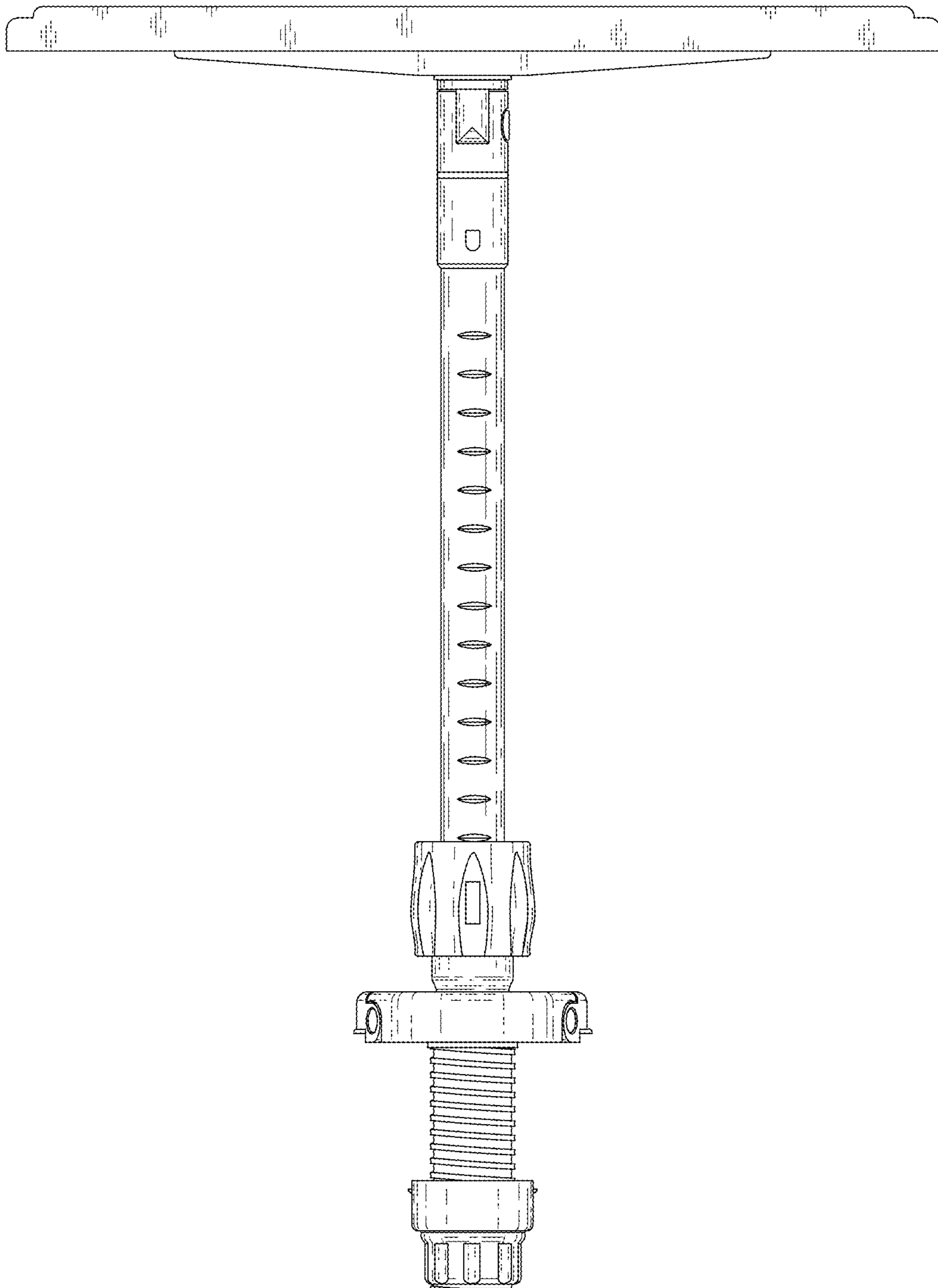




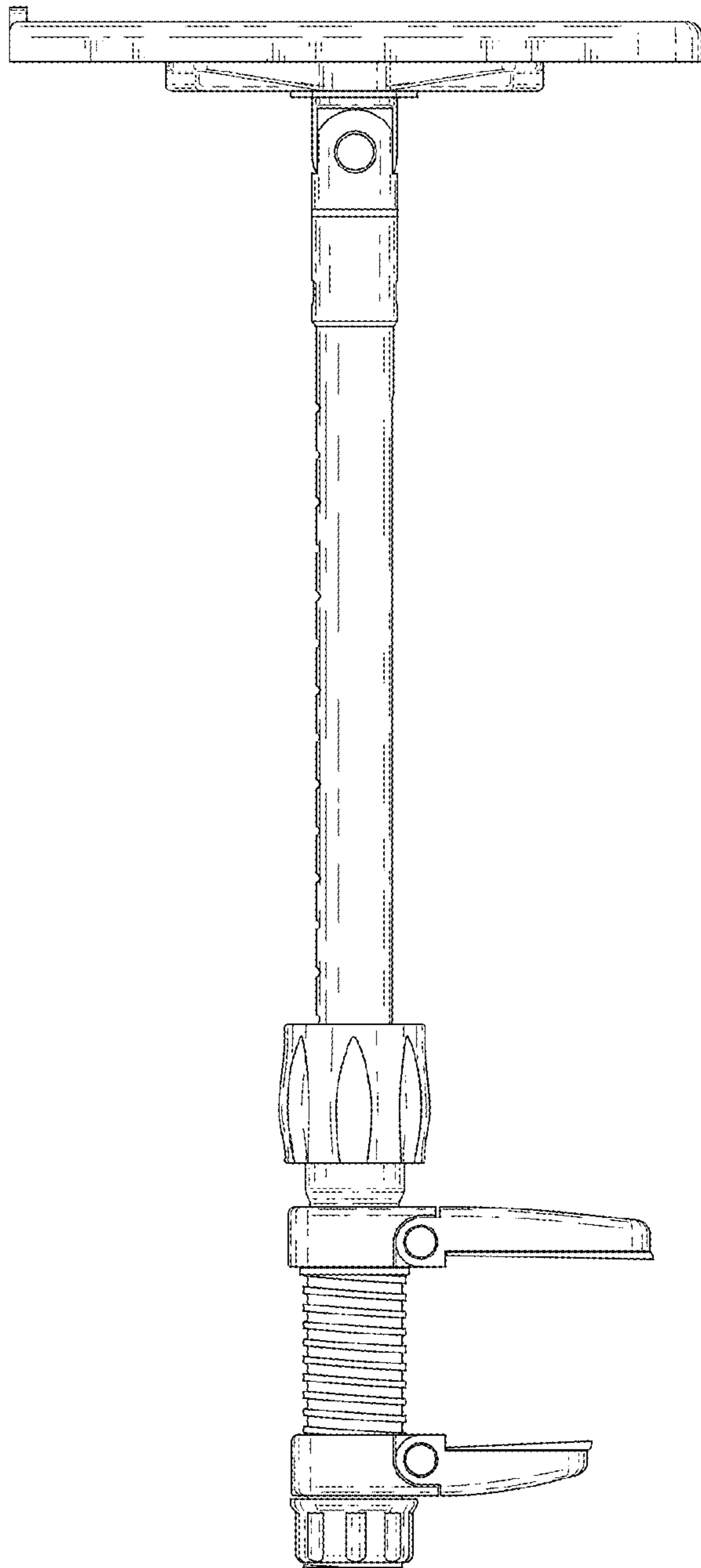
*Fig. 1*



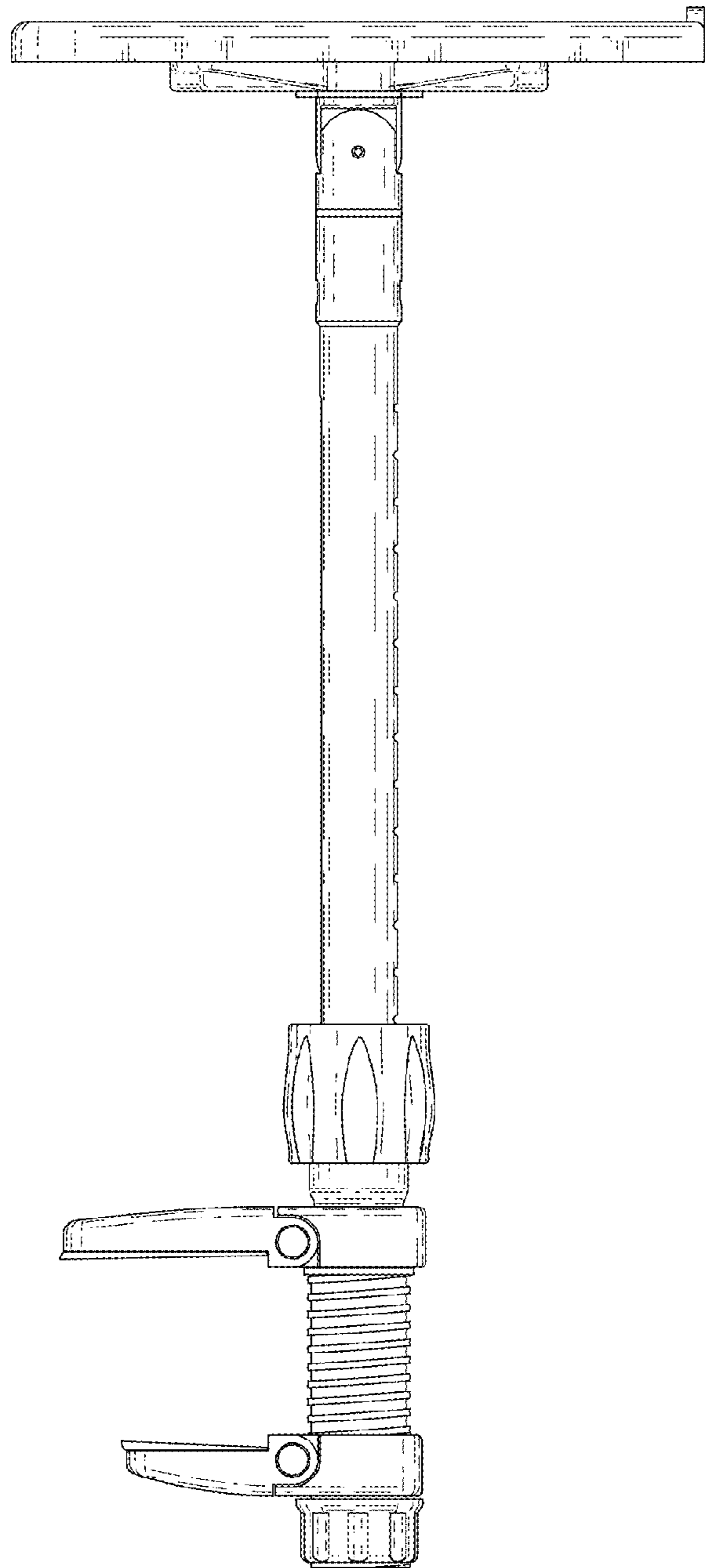
*Fig. 2*



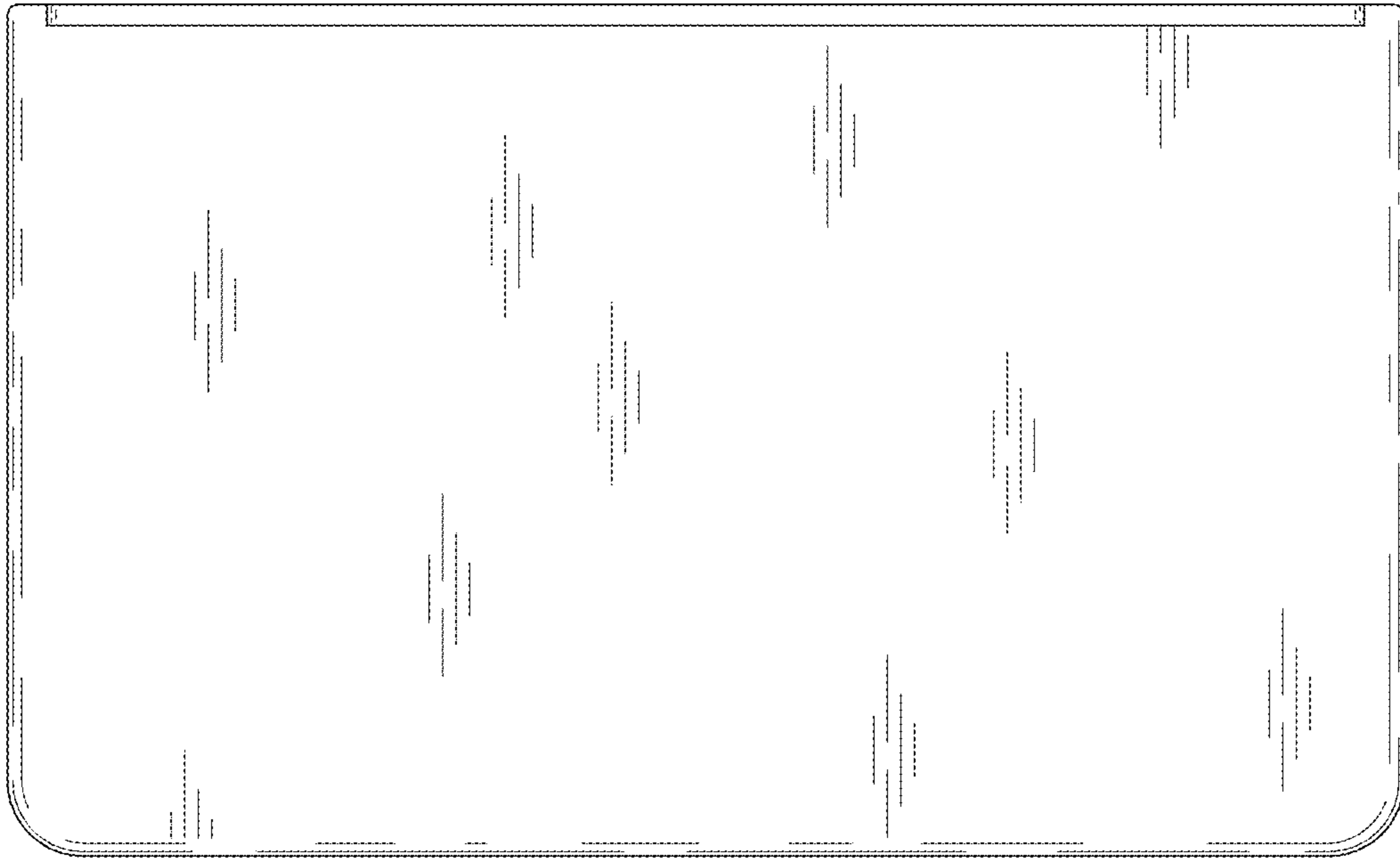
*Fig. 3*



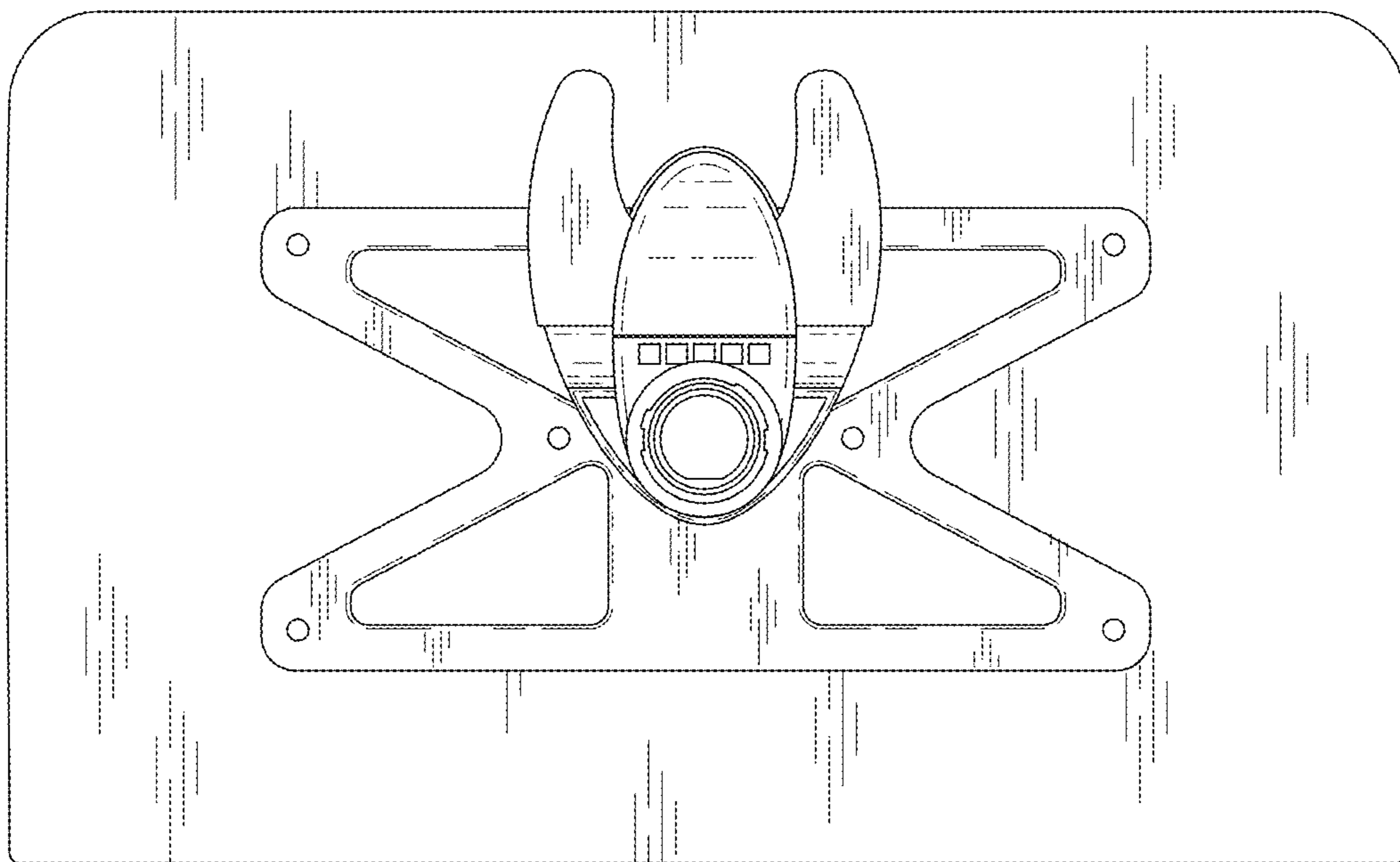
*Fig. 4*



*Fig. 5*



*Fig. 6*



*Fig. 7*