



US00D883700S

(12) **United States Design Patent**
Matsuura

(10) **Patent No.:** **US D883,700 S**

(45) **Date of Patent:** **** May 12, 2020**

- (54) **CRADLE**
- (71) Applicant: **Dentsu Inc.**, Tokyo (JP)
- (72) Inventor: **Natsuki Matsuura**, Tokyo (JP)
- (73) Assignee: **DENTSU INC.**, Minato-Ku, Tokyo (JP)
- (**) Term: **15 Years**
- (21) Appl. No.: **29/658,363**
- (22) Filed: **Jul. 30, 2018**
- (30) **Foreign Application Priority Data**
Jan. 31, 2018 (JP) 2018-001915
- (51) **LOC (12) Cl.** **06-02**
- (52) **U.S. Cl.**
USPC **D6/385**
- (58) **Field of Classification Search**
USPC D3/206, 304, 306; D6/553, 567, 573,
D6/574, 672, 673, 675, 675.1, 683, 703.5,
D6/705.4, 705.7, 706, 385, 390, 391;
D21/519, 520
CPC . A63H 3/52; A47D 9/00; A47D 9/005; A47D
9/02; B43M 99/00; B43M 99/001; B43M
99/003; B43M 99/004; B43M 99/006;
B43M 99/007; B43M 99/008; B43M
99/009
See application file for complete search history.

- (56) **References Cited**
U.S. PATENT DOCUMENTS
27,964 A * 4/1860 Brooks A47C 13/00
297/1
1,086,951 A * 2/1914 Stocker A47D 9/02
217/12 R
1,720,016 A * 7/1929 Tinsley A63H 33/16
229/104

- 2,196,512 A * 4/1940 Williams et al. A47D 9/005
446/77
- 2,239,365 A * 4/1941 Loth A63H 3/52
446/80
- 2,252,290 A * 8/1941 Konikoff A63H 3/52
446/396
- D136,066 S * 7/1943 Makrianes D21/520
- 2,360,963 A * 10/1944 Meiselman A47C 4/021
297/440.13
- D141,436 S * 6/1945 Allen D21/520
- 2,385,872 A * 10/1945 Marshall A63H 3/52
446/326
- 2,397,353 A * 3/1946 Herz B65D 5/00
229/107
- 2,512,111 A * 6/1950 Monahan B65D 85/327
206/521.1
- D165,921 S * 2/1952 Ippolito D21/520
- 2,619,768 A * 12/1952 Tomchin A47D 9/02
446/396
- D172,295 S * 5/1954 Medoff D21/520

(Continued)

Primary Examiner — Elizabeth A. Albert
(74) *Attorney, Agent, or Firm* — Ladas & Parry, LLP

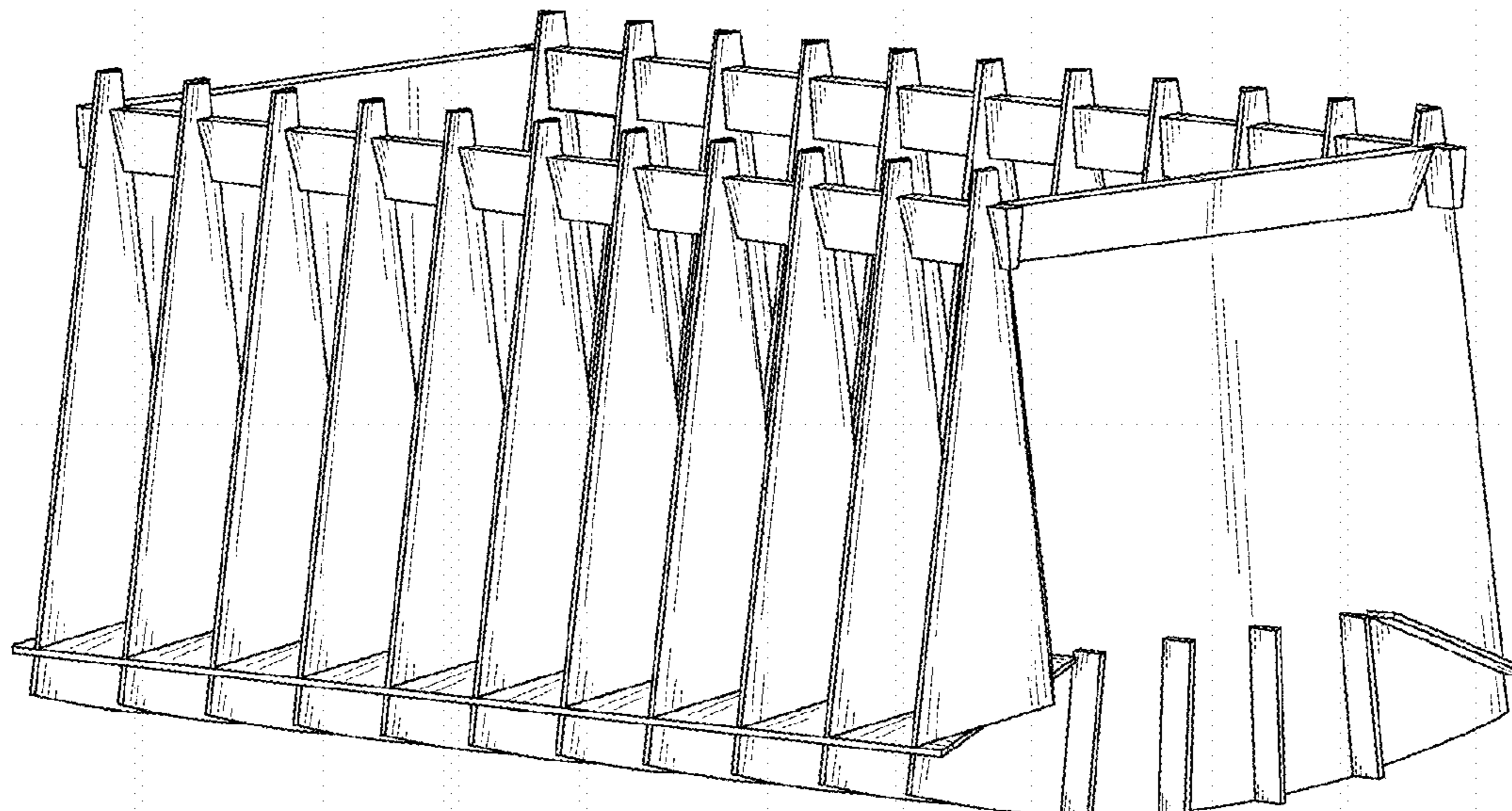
(57) **CLAIM**

I claim the ornamental design for a cradle, as shown and described.

DESCRIPTION

FIG. 1 is a front perspective view of a cradle in accordance with the design;
 FIG. 2 is a front view of the design thereof;
 FIG. 3 is a rear view of the design thereof;
 FIG. 4 is a right side view of the design thereof;
 FIG. 5 is a left side view of the design thereof;
 FIG. 6 is a top view of the design thereof; and,
 FIG. 7 is a partial perspective view of the interior of the design thereof.
 The broken lines in the drawing of FIG. 7 are included to show edges in the drawing of FIG. 7 that form no part of the claimed design.

1 Claim, 7 Drawing Sheets



(56)

References Cited

U.S. PATENT DOCUMENTS

2,720,253 A * 10/1955 Turner A47B 3/06
248/174
3,196,467 A * 7/1965 Gradek A47D 9/005
5/102
3,335,433 A * 8/1967 Stopek A63H 3/52
446/396
3,797,054 A * 3/1974 Sly A47C 4/021
5/101
3,988,856 A * 11/1976 Doppelt A63H 3/52
446/297
4,114,313 A * 9/1978 Guerrero A63H 3/31
446/191
4,205,876 A * 6/1980 Cetina A47D 1/00
297/118
D255,960 S * 7/1980 Sedillo D6/385
D267,663 S * 1/1983 Krisel D21/520
D273,154 S * 3/1984 Almela D6/385
D423,608 S * 4/2000 Michaelson D21/520
6,973,686 B2 * 12/2005 Kenan A47C 4/021
5/101
D643,644 S * 8/2011 Ehrlich D6/385

* cited by examiner

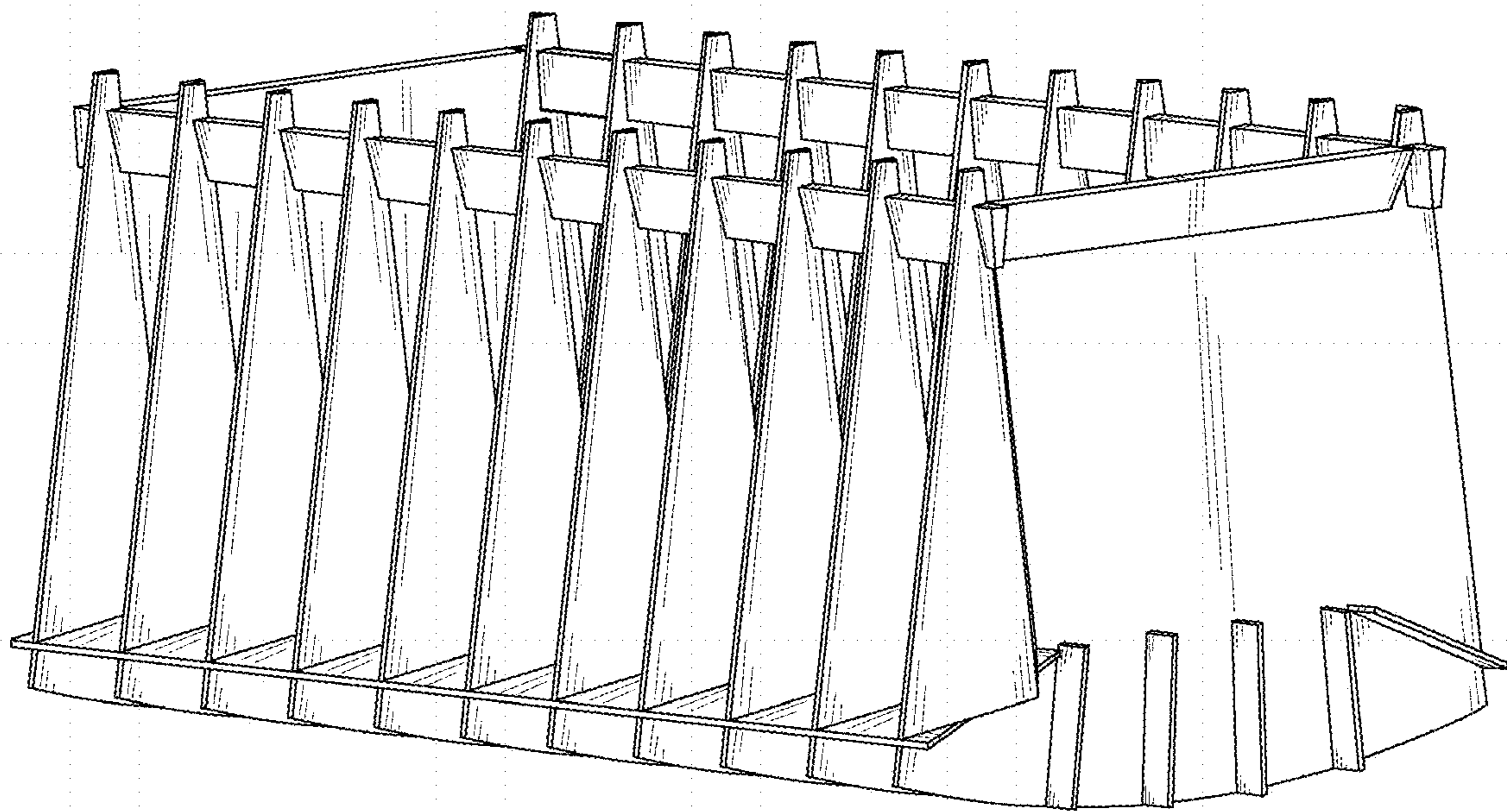


FIG. 1

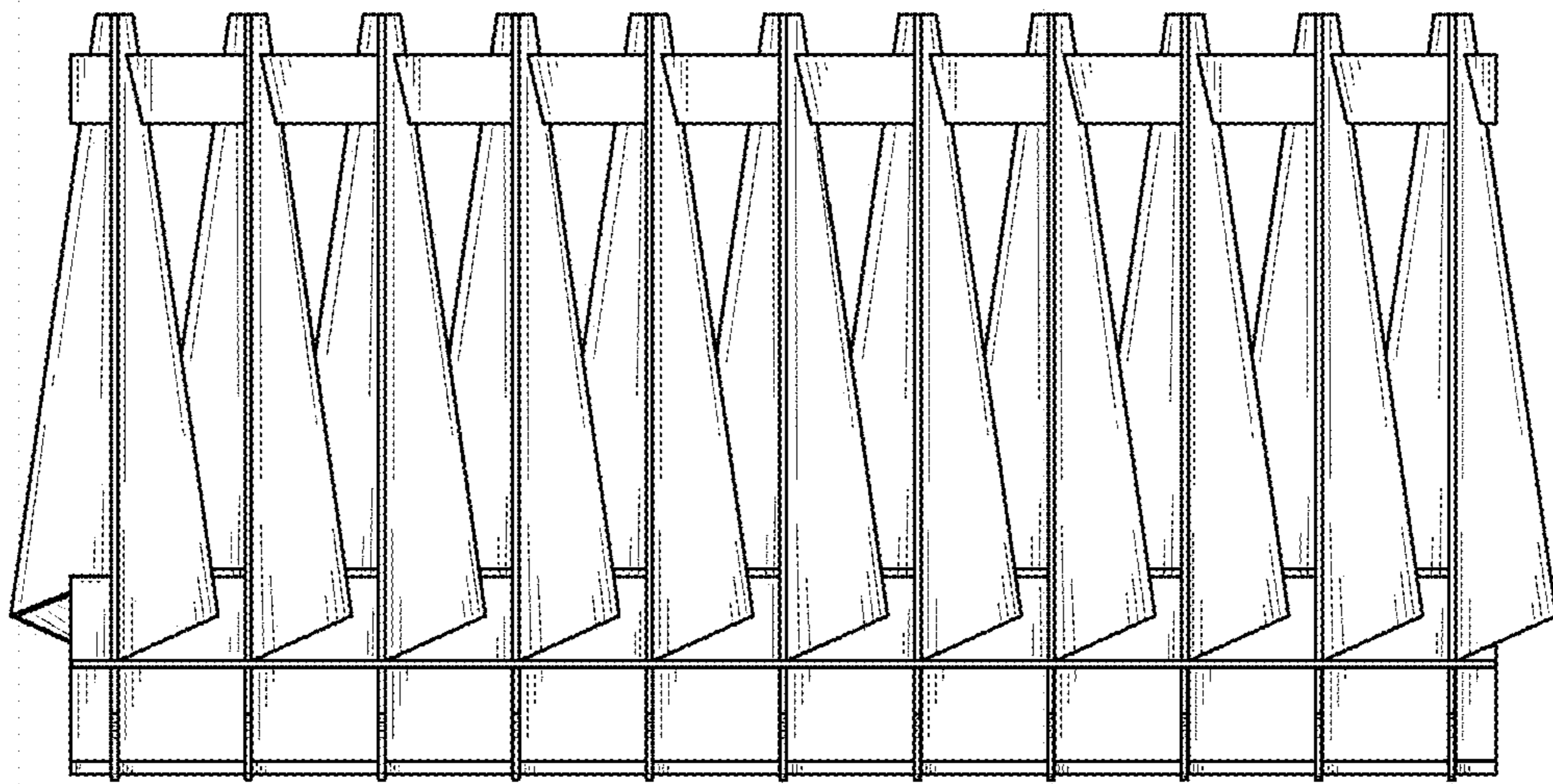


FIG. 2

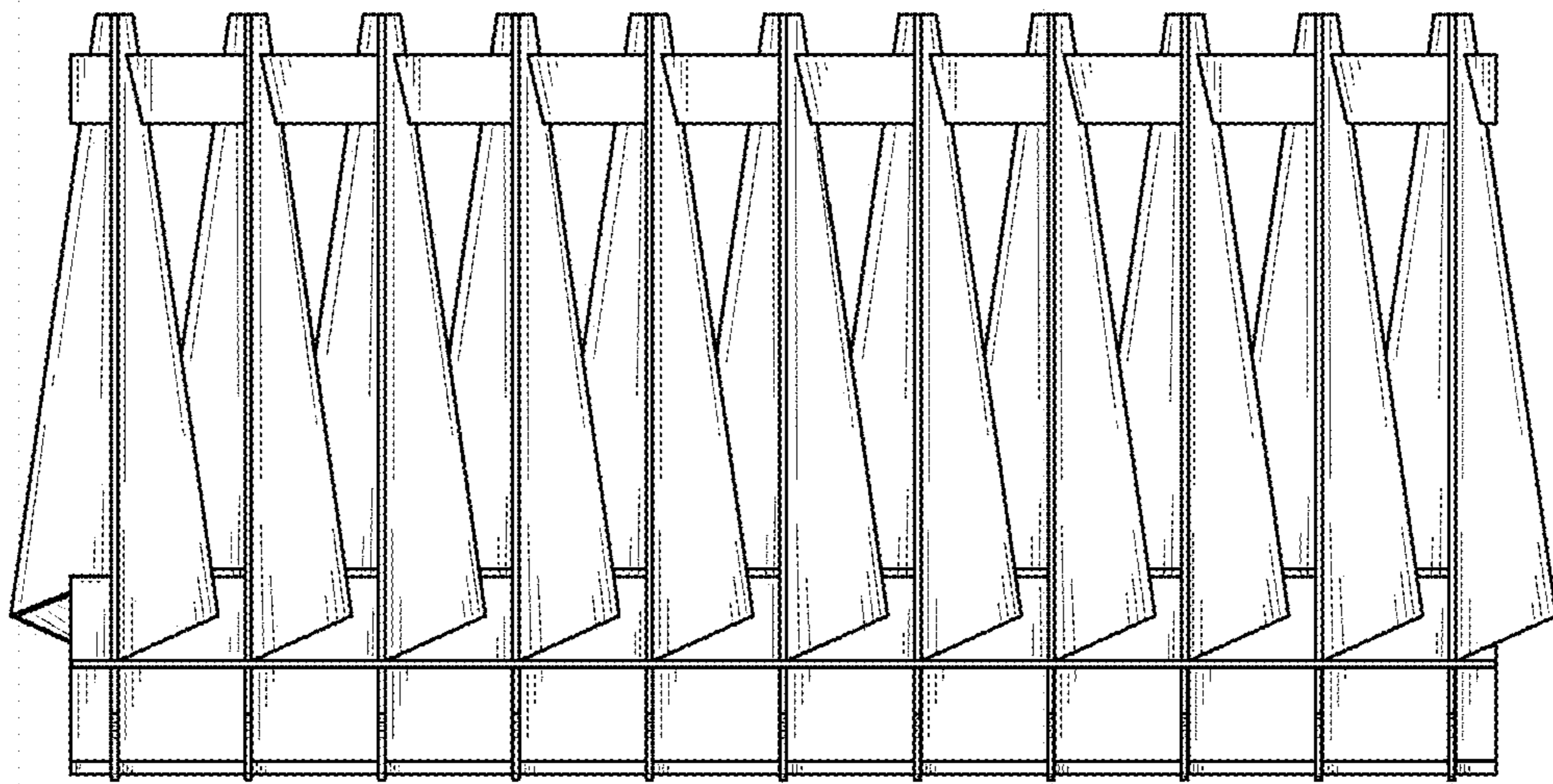


FIG. 3

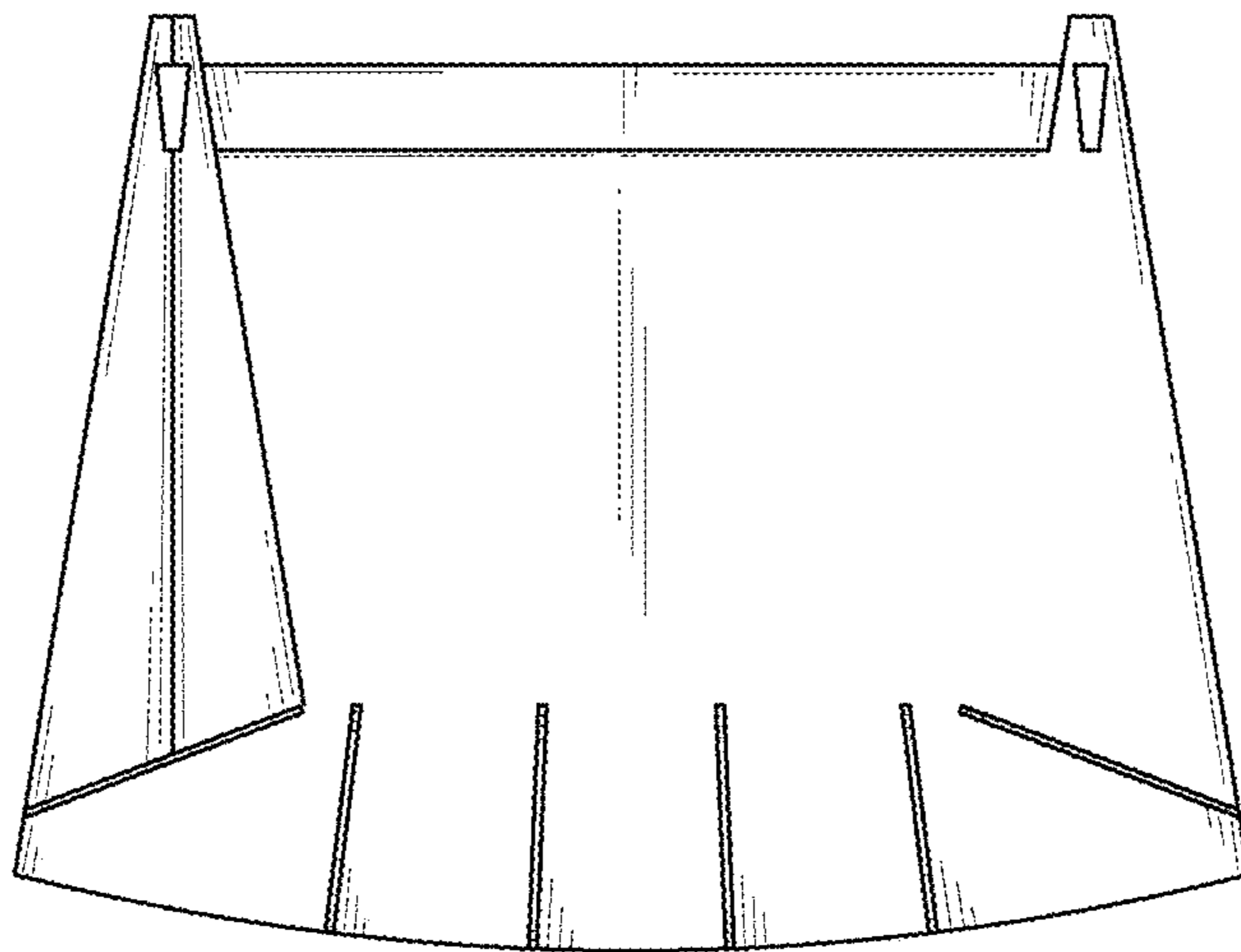


FIG. 4

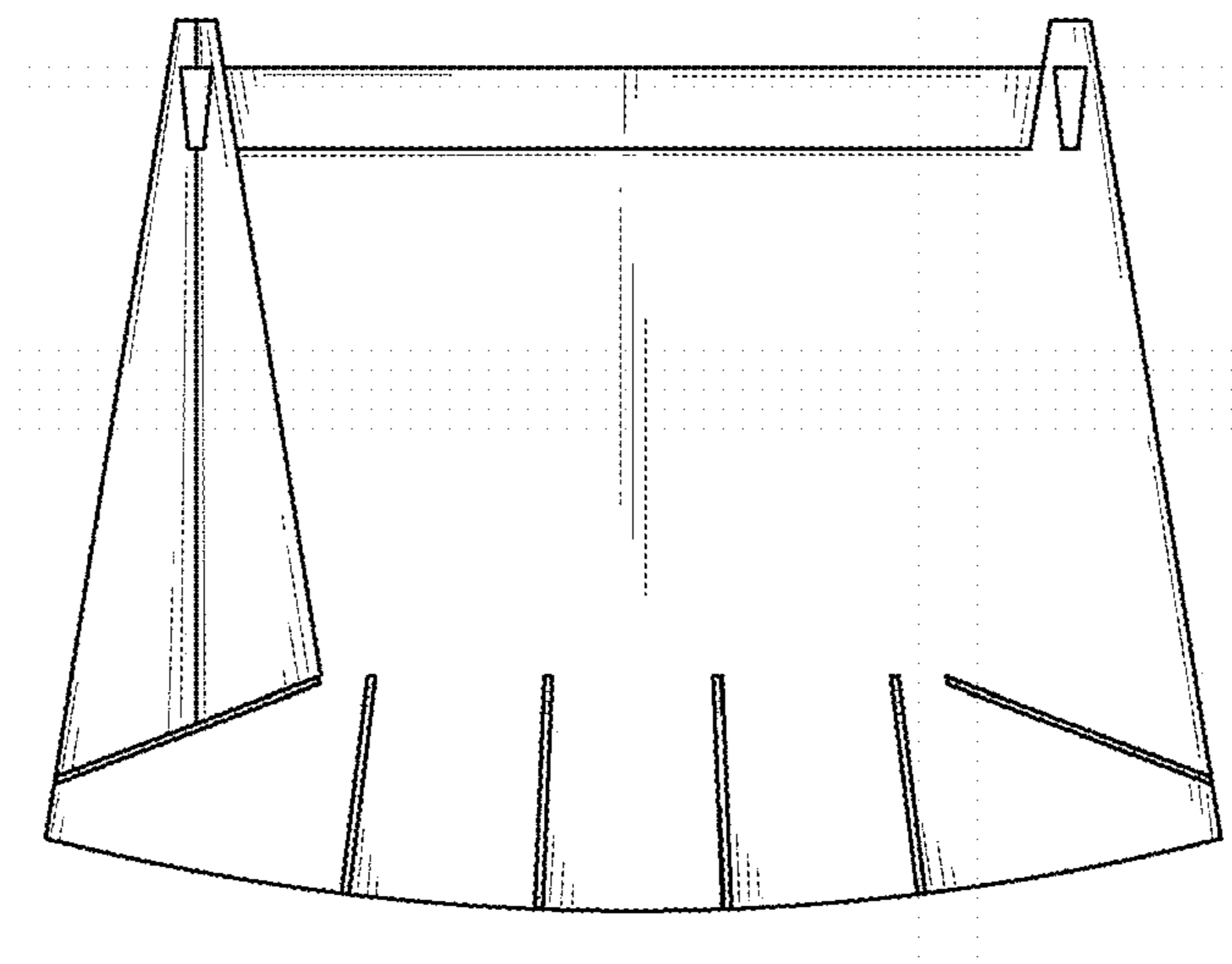


FIG. 5

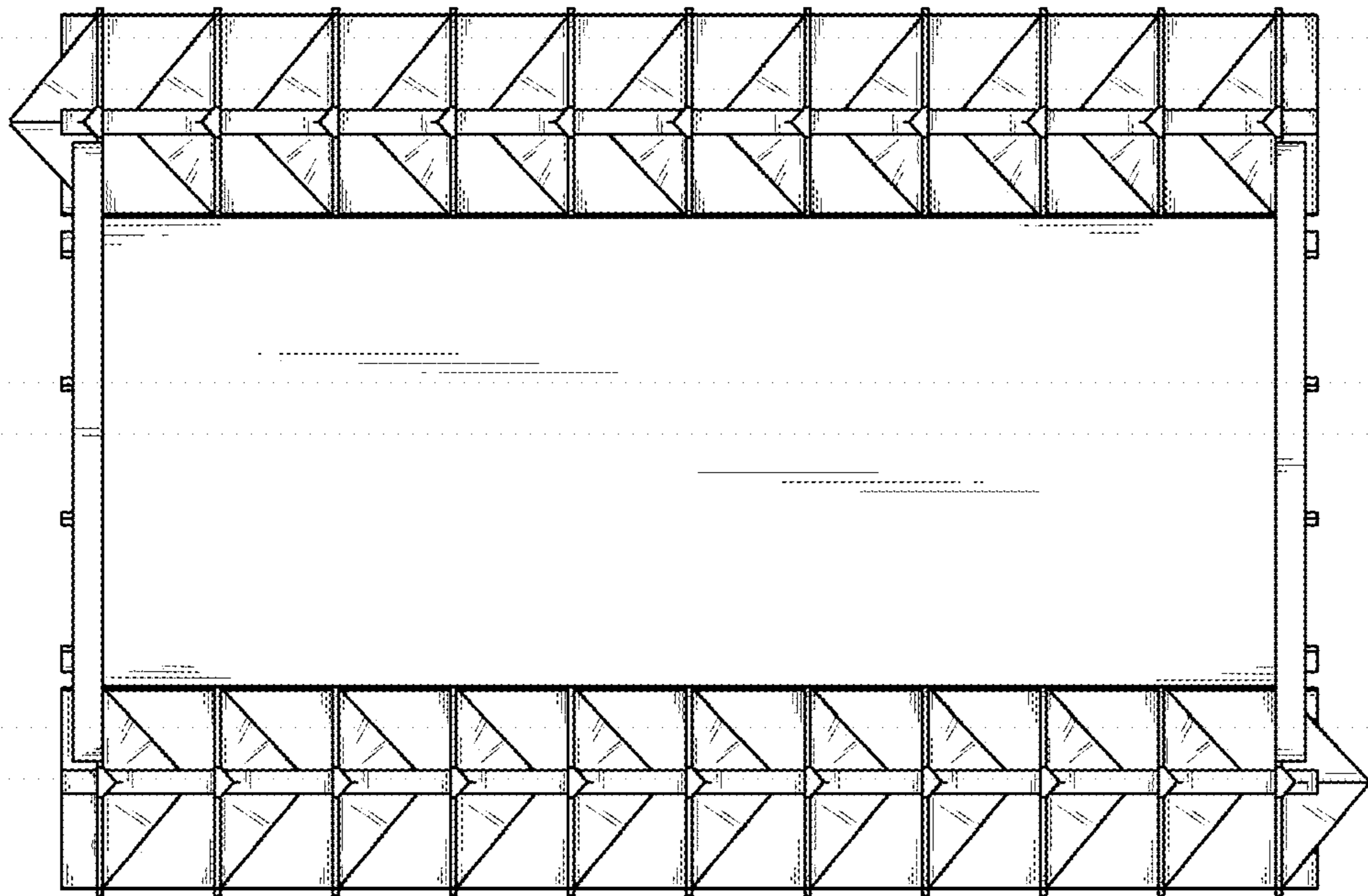


FIG. 6

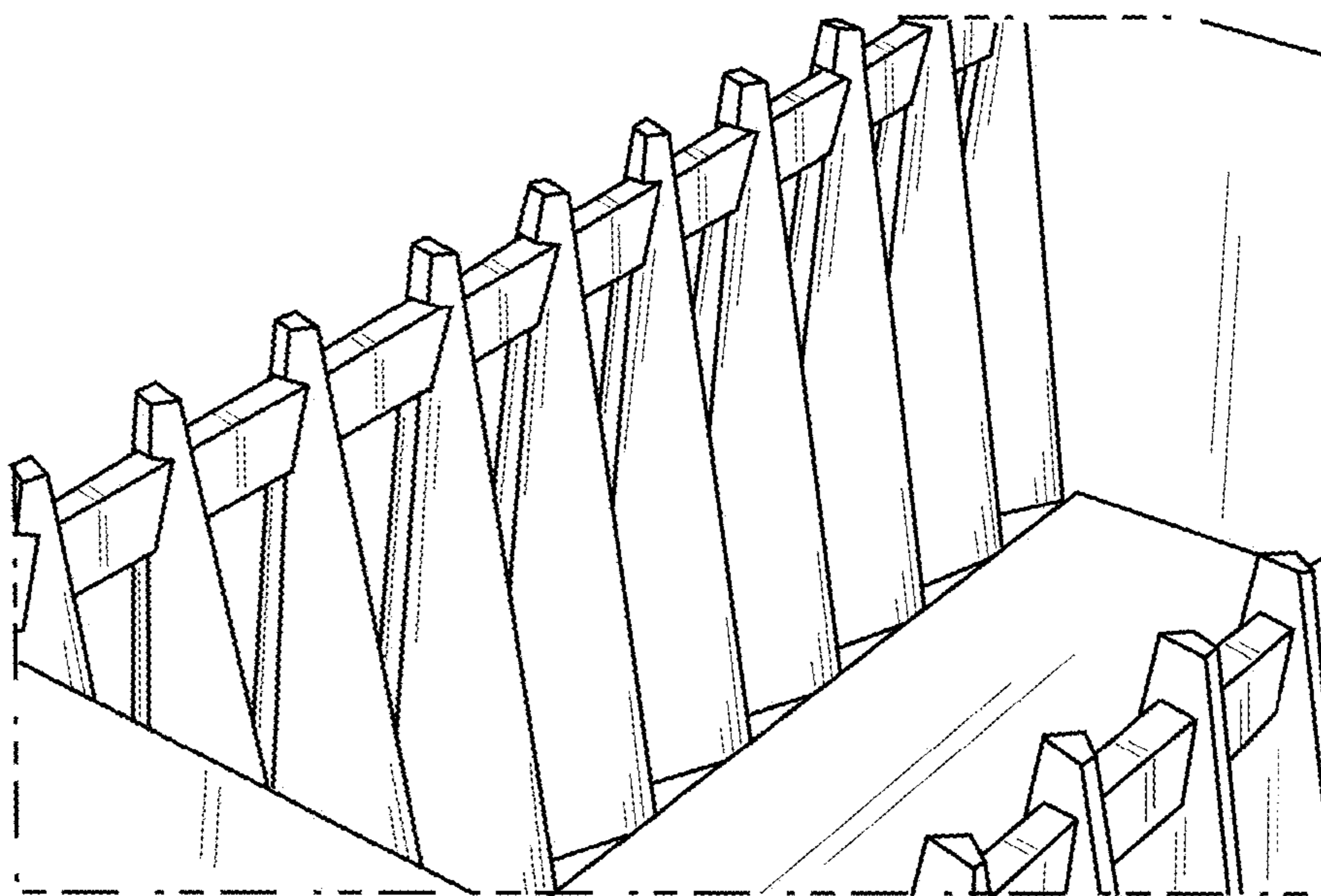


FIG. 7