



US00D883699S

(12) **United States Design Patent**
Hsu et al.

(10) **Patent No.:** **US D883,699 S**

(45) **Date of Patent:** **** May 12, 2020**

(54) **INFLATABLE L-SHAPED SOFA**
(71) Applicant: **Intex Marketing Ltd.**, Tortola (VG)
(72) Inventors: **Yaw Yuan Hsu**, Fujian (CN); **Kun Chao Hsu**, Fujian (CN)
(73) Assignee: **Intex Marketing Ltd.**, Tortola (VG)
(**) Term: **15 Years**

D434,243 S * 11/2000 Casto D6/381
7,131,701 B1 * 11/2006 Yang A47C 4/54
297/452.41
D581,690 S * 12/2008 Sempe D6/381
D758,753 S * 6/2016 Lagier D6/381
2006/0163935 A1 * 7/2006 Harris A47C 4/54
297/452.41
2011/0089741 A1 * 4/2011 Cyr A47C 4/54
297/452.41

(21) Appl. No.: **29/655,747**
(22) Filed: **Jul. 6, 2018**
(30) **Foreign Application Priority Data**

Jan. 9, 2018 (CN) 2018 3 0008743
(51) **LOC (12) Cl.** **06-01**
(52) **U.S. Cl.**
USPC **D6/381**
(58) **Field of Classification Search**
USPC D6/329, 334, 335, 374, 377, 381;
D21/519, 521
CPC A47C 17/00; A47C 17/02; A47C 17/86;
A47C 4/54; A47C 27/08
See application file for complete search history.

(56) **References Cited**
U.S. PATENT DOCUMENTS

5,326,153 A * 7/1994 Muffi A47C 1/035
297/232
D371,252 S 7/1996 Chaput
D407,230 S 3/1999 Lieberman
5,951,111 A * 9/1999 Klimenko A47C 4/54
297/188.09
D430,420 S * 9/2000 Peterson D30/118

OTHER PUBLICATIONS

Intex Inflatable Corner Sofa, Review and Buying Guide 2020, Sep. 20, 2019, Inflatables Master, site visited Jan. 30, 2020, available online at <https://inflatablesmaster.com/intex-inflatable-corner-sofa-review/> (Year: 2019).*

* cited by examiner

Primary Examiner — Cathron C Brooks
(74) *Attorney, Agent, or Firm* — Faegre Drinker Biddle & Reath LLP

(57) **CLAIM**

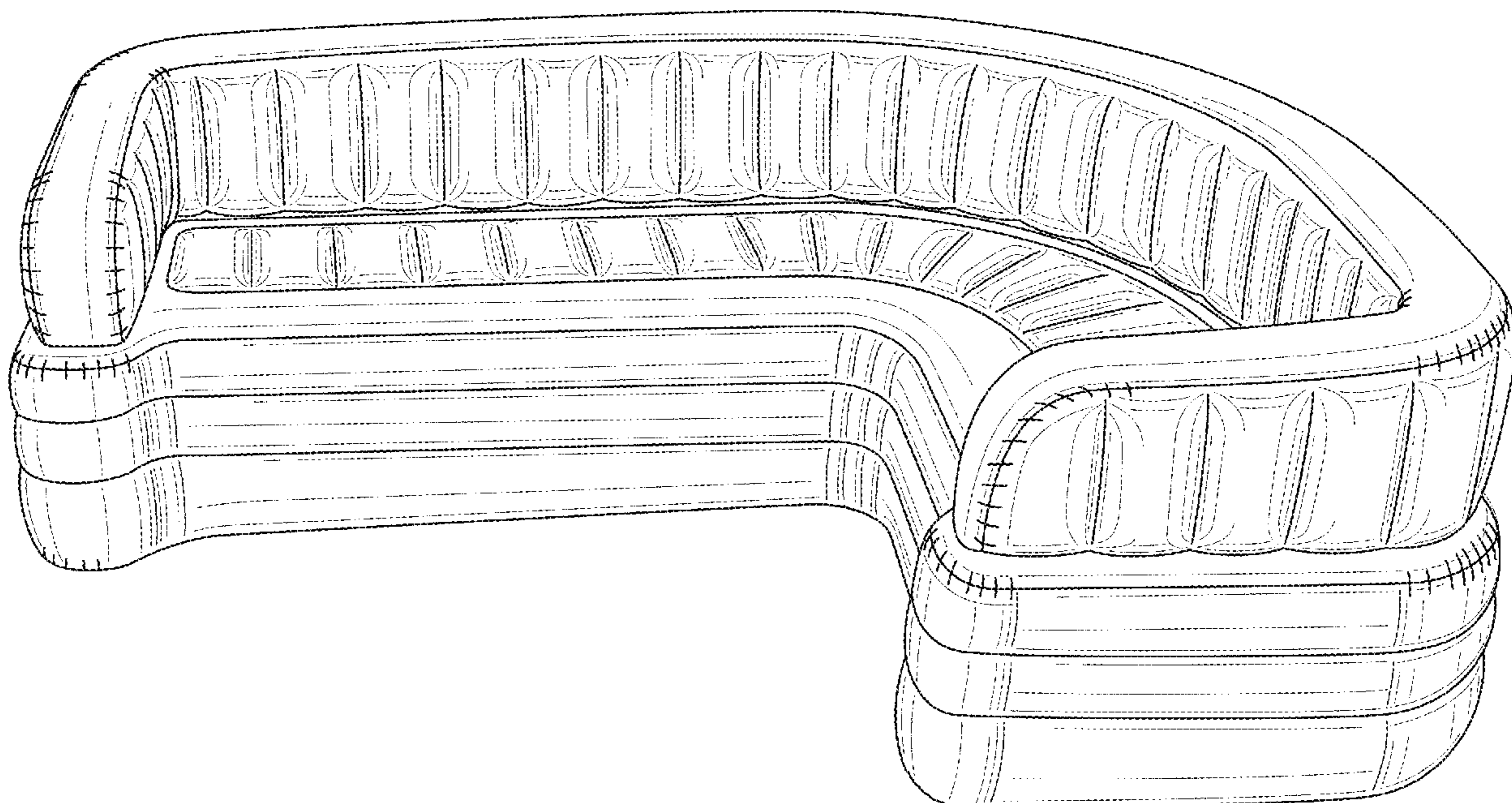
We claim the ornamental design for an inflatable L-shaped sofa, as shown and described.

DESCRIPTION

FIG. 1 is a perspective view of an inflatable L-shaped sofa; FIG. 2 is a front elevational view thereof; FIG. 3 is a rear side elevational view thereof; FIG. 4 is a left side elevational view thereof; FIG. 5 is a right side elevational view thereof; FIG. 6 is a top plan view thereof; and, FIG. 7 is a bottom plan view thereof.

The broken lines in FIGS. 3, 4 and 7 represent portions of the inflatable L-shaped sofa that form no part of the claimed design.

1 Claim, 7 Drawing Sheets



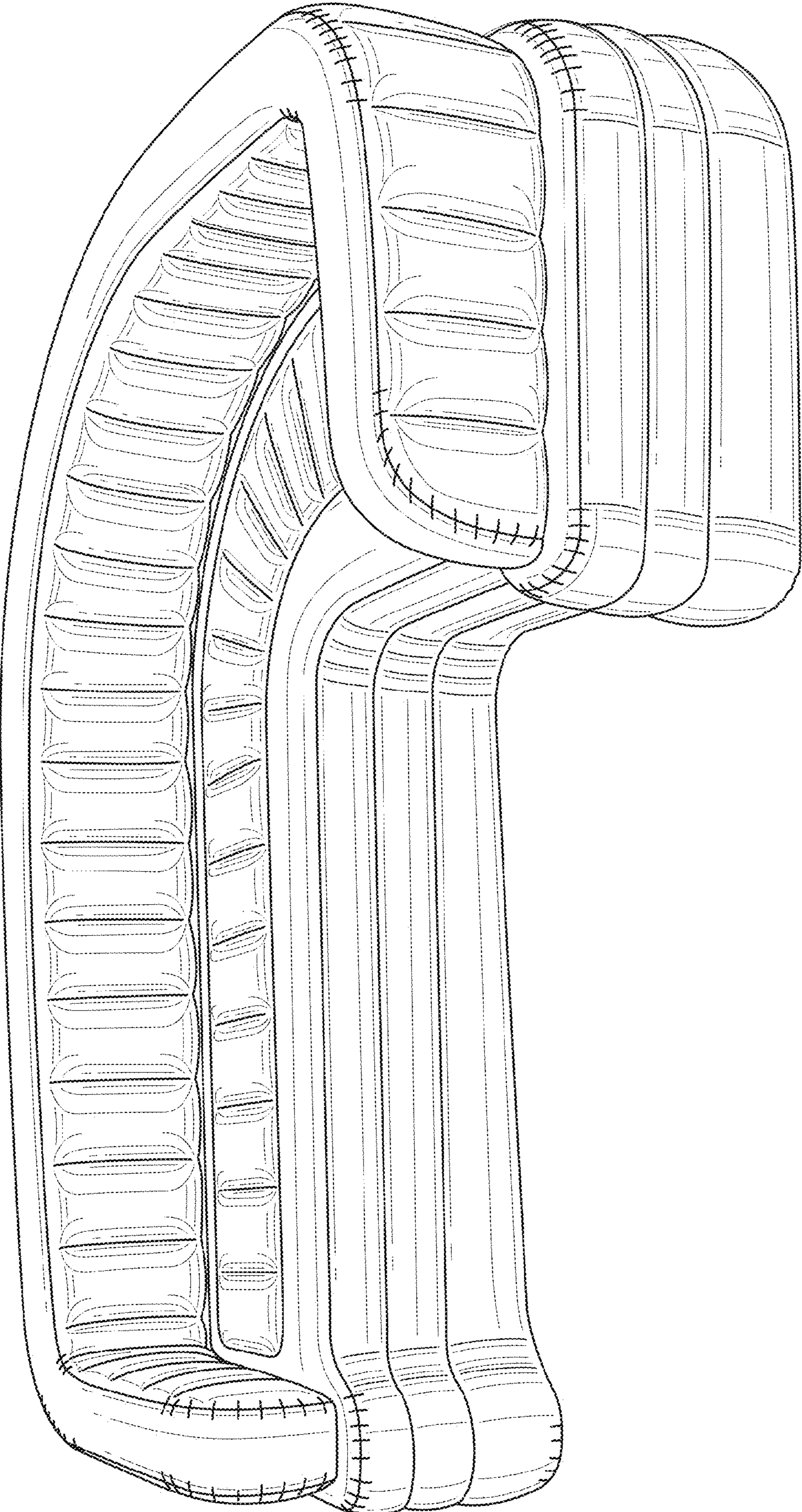


FIG. 1

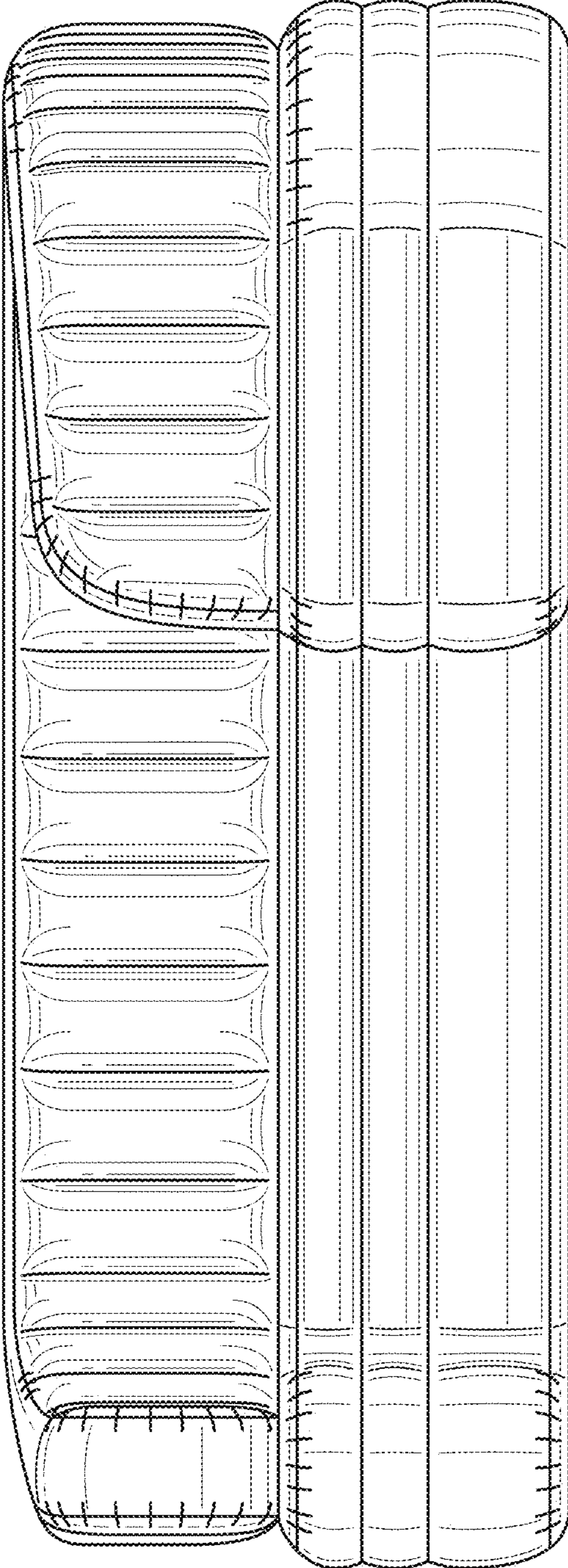


FIG. 2

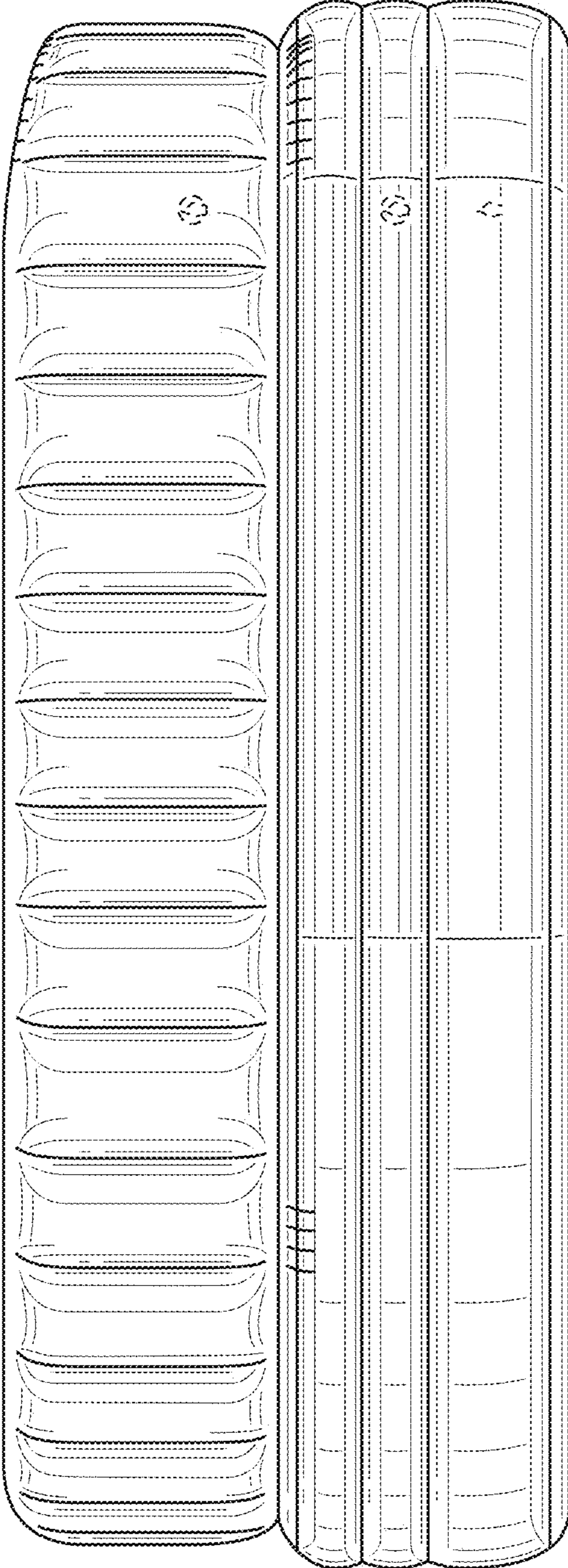


FIG. 3

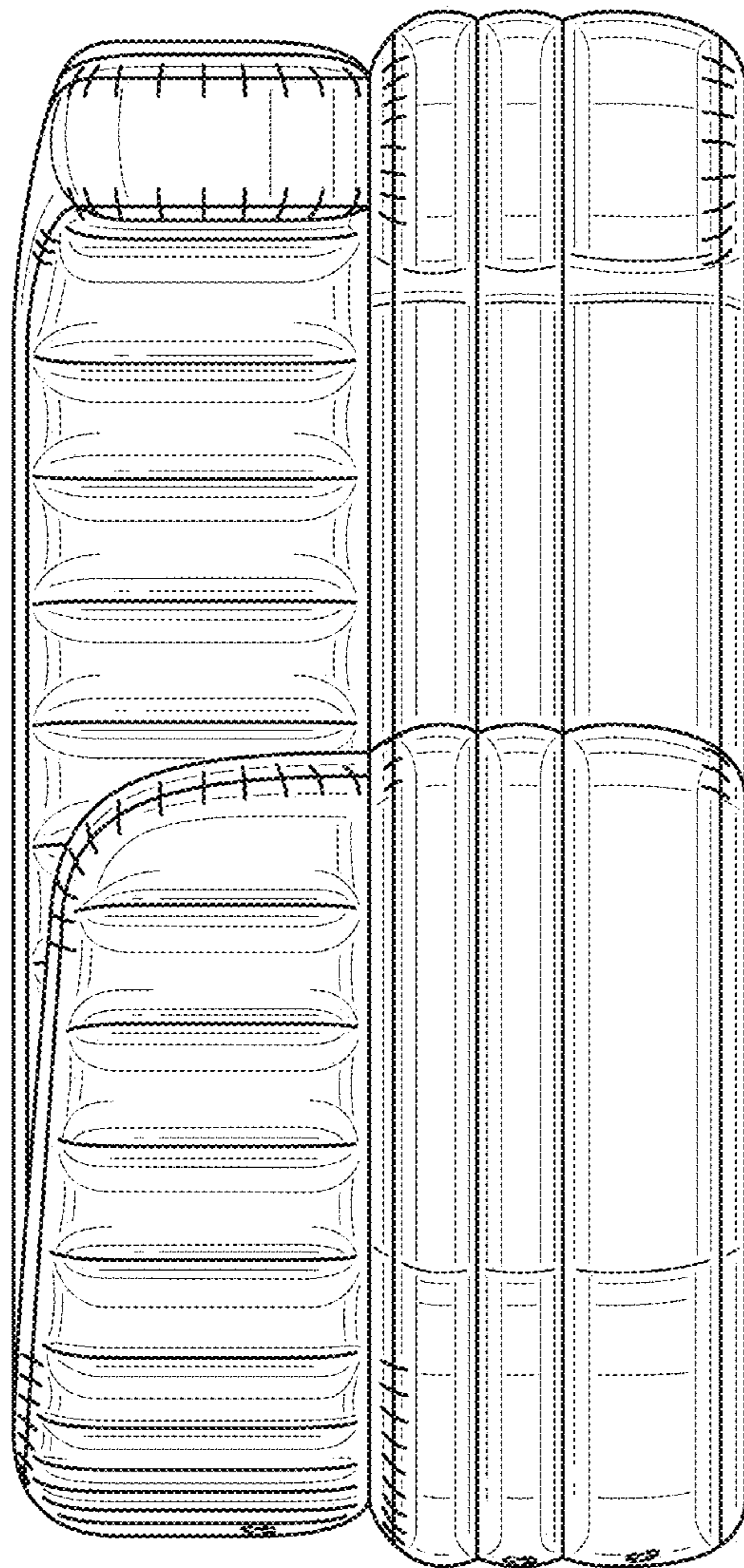


FIG. 4

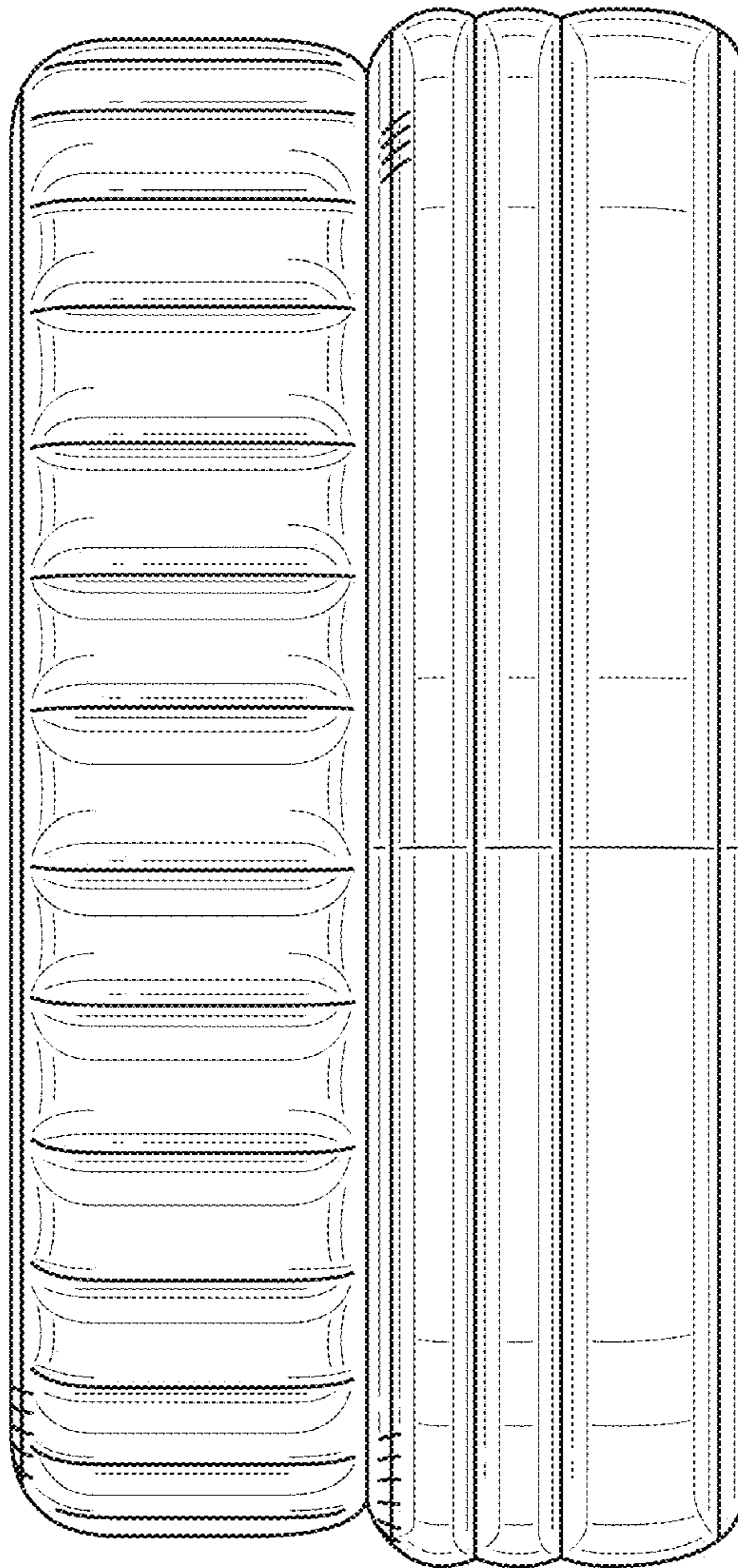


FIG. 5

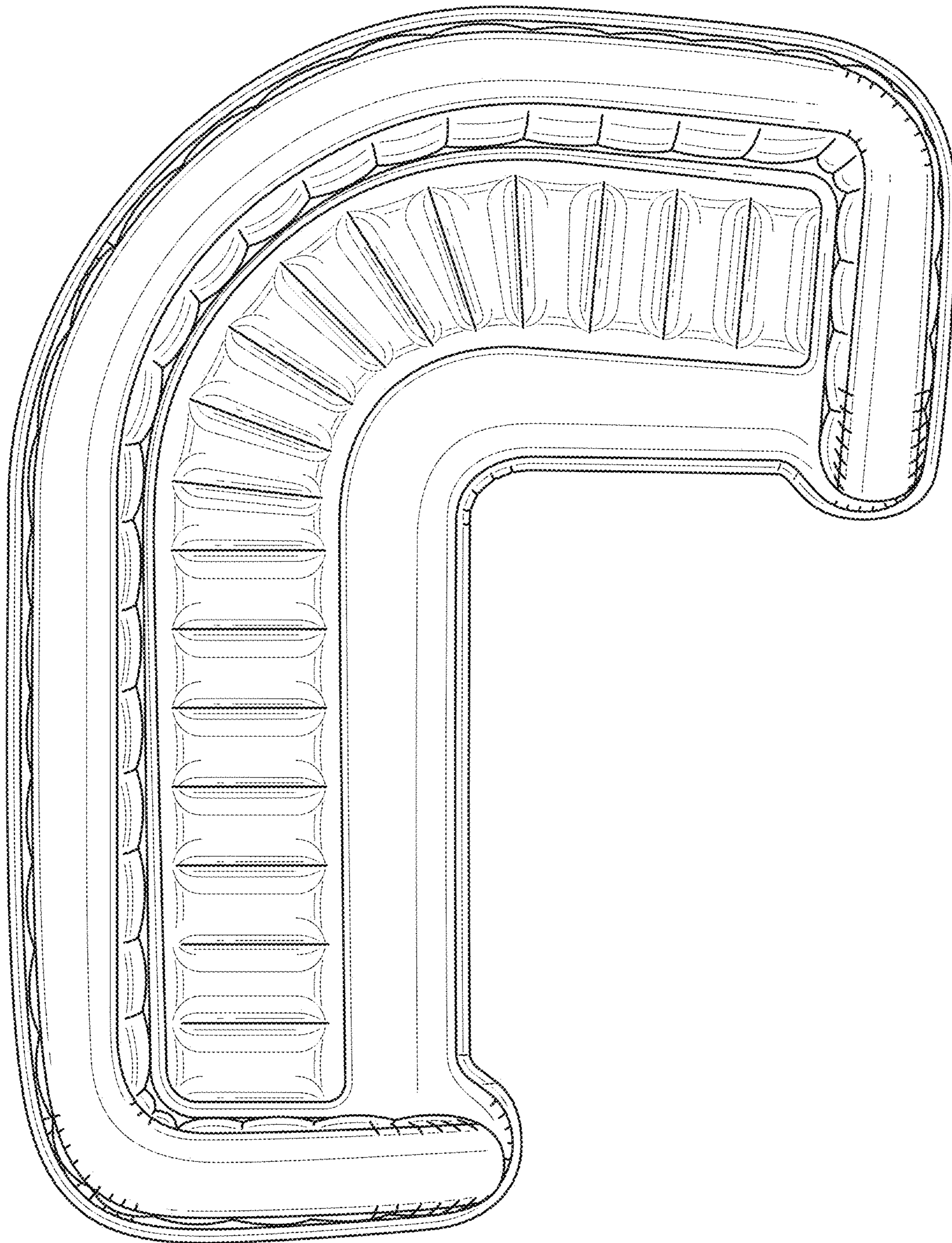


FIG. 6

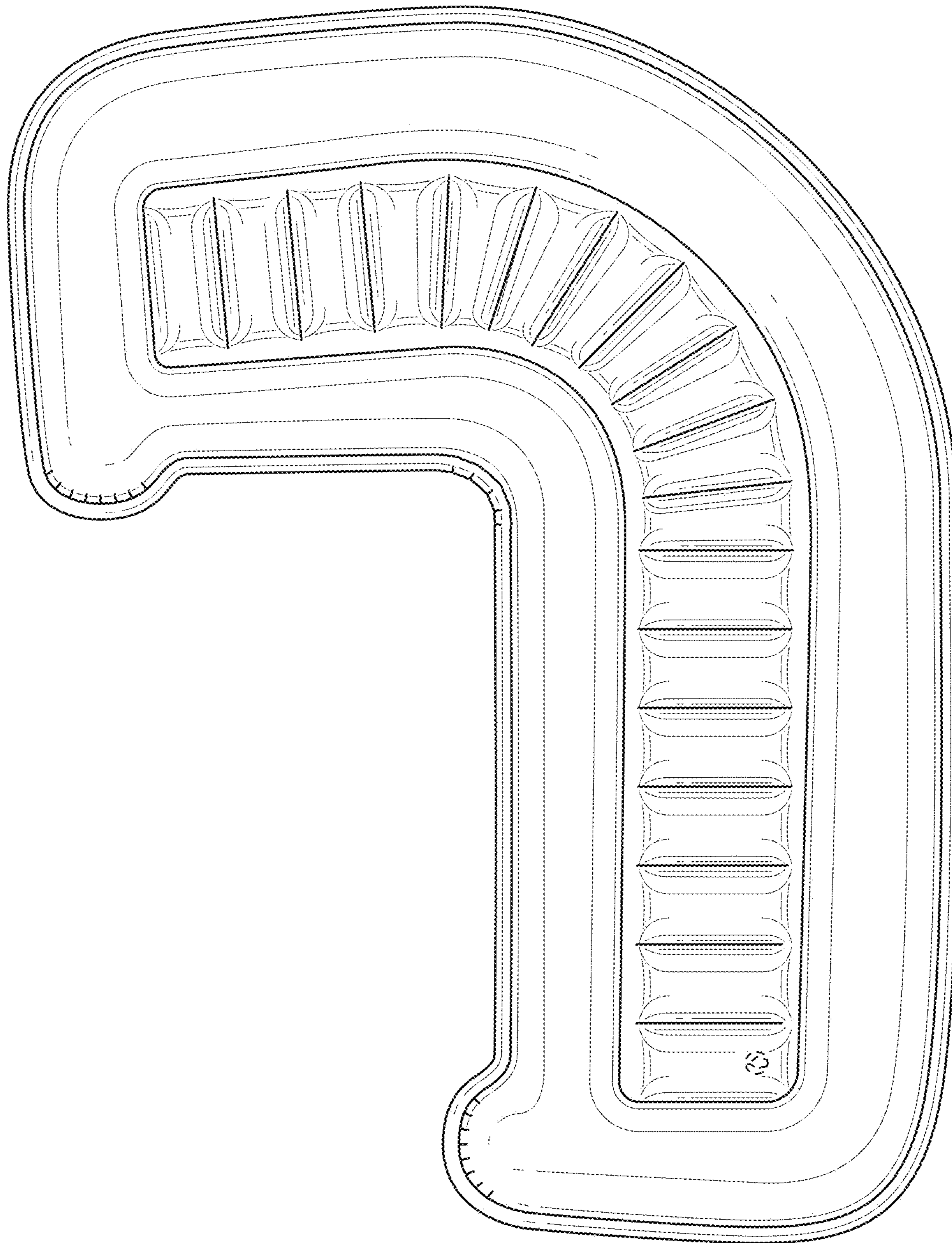


FIG. 7

UNITED STATES PATENT AND TRADEMARK OFFICE
CERTIFICATE OF CORRECTION

PATENT NO. : D883,699 S
APPLICATION NO. : 29/655747
DATED : May 12, 2020
INVENTOR(S) : Yaw Yuan Hsu et al.

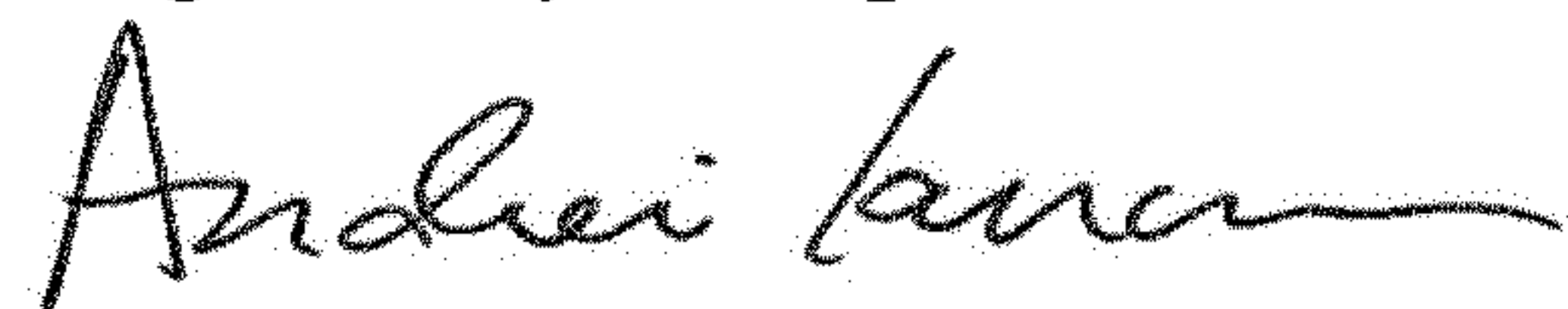
Page 1 of 1

It is certified that error appears in the above-identified patent and that said Letters Patent is hereby corrected as shown below:

On the Title Page

Column 1, under Foreign Application Priority Data (30), the foreign priority reference number should read "201830008743.2".

Signed and Sealed this
Eighth Day of September, 2020



Andrei Iancu
Director of the United States Patent and Trademark Office