



US00D883698S

(12) **United States Design Patent** (10) **Patent No.:** **US D883,698 S**
Carter (45) **Date of Patent:** **** May 12, 2020**

(54) **SOFA**
(71) Applicant: **Blu Dot Design & Manufacturing, Inc.**, Minneapolis, MN (US)
(72) Inventor: **Michael Carter**, Bloomington, MN (US)
(73) Assignee: **Blu Dot Design & Manufacturing, Inc.**, Minneapolis, MN (US)

D431,381 S 10/2000 Gomez
D432,808 S 10/2000 Binder et al.
D446,039 S 8/2001 Gomez
D448,196 S * 9/2001 Gomez D6/377
D448,946 S * 10/2001 Goetz D6/381
D460,284 S * 7/2002 Natuzzi D6/381
D484,712 S 1/2004 Gomez
D484,713 S 1/2004 Gomez
D498,064 S 11/2004 Gomez
D498,941 S 11/2004 Ricci
D559,003 S * 1/2008 Lissoni D6/381
(Continued)

(**) Term: **15 Years**

OTHER PUBLICATIONS

(21) Appl. No.: **29/629,150**
(22) Filed: **Dec. 12, 2017**
(51) **LOC (12) Cl.** **06-01**
(52) **U.S. Cl.**
USPC **D6/381**
(58) **Field of Classification Search**
USPC D6/334, 335, 349, 367, 368, 369, 374,
D6/375, 377, 378, 381
CPC A47C 17/00; A47C 1/00; A47C 3/12
See application file for complete search history.

Sunday Small Ottoman—Small Upholstered Ottoman_ Blu Dot.
[online] Retrieved Aug. 1, 2018 from URL: <https://www.bludot.com/sunday-small-ottoman.html>.

(Continued)

Primary Examiner — Deanna L Pratt

(57) **CLAIM**

I claim the ornamental design for a sofa, as shown and described.

DESCRIPTION

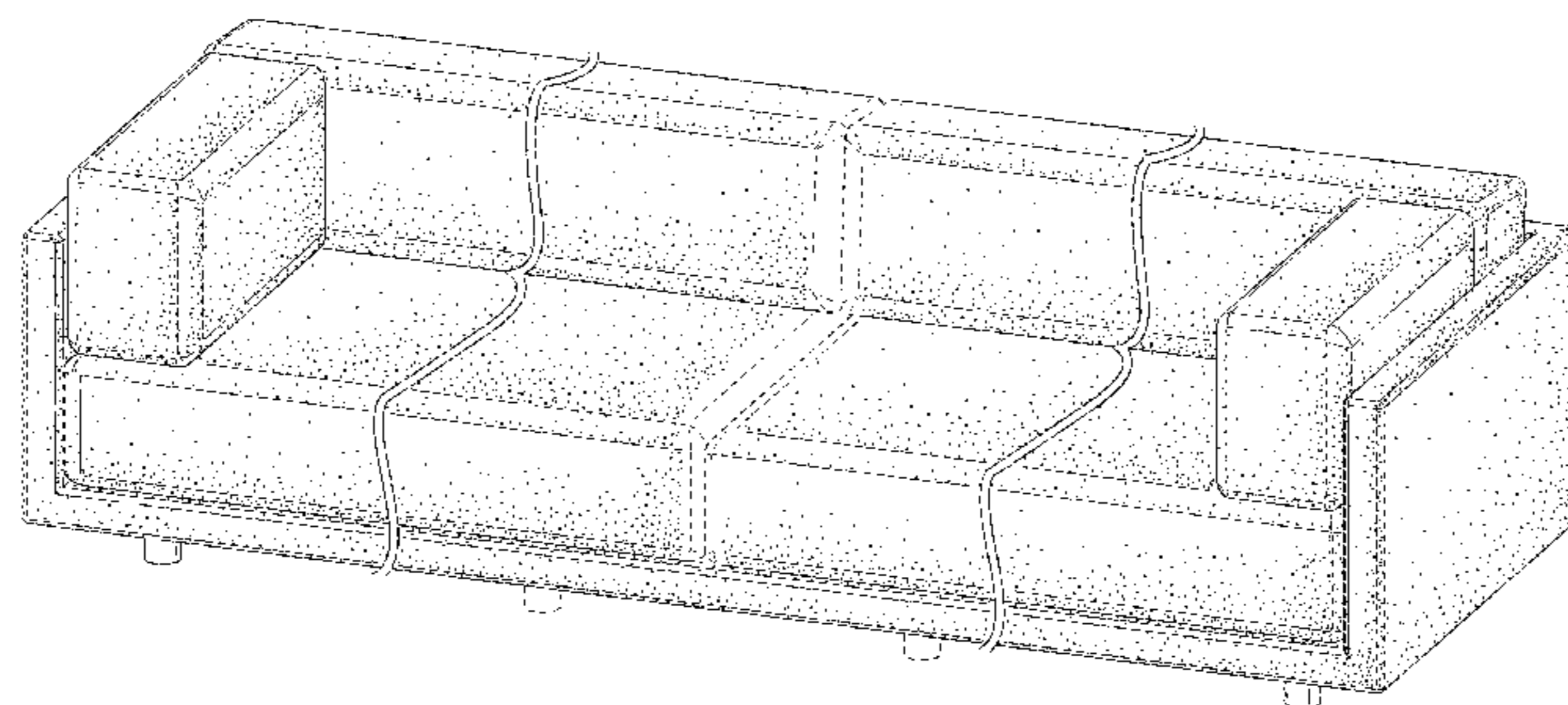
FIG. 1 is a front perspective view of a sofa of Applicant's design;
FIG. 2 is a front elevational view thereof;
FIG. 3 is a rear elevational view thereof;
FIG. 4 is a first side elevational view thereof, the second side elevational view opposite the first side elevational view and being a mirror image thereof;
FIG. 5 is a top plan view thereof; and,
FIG. 6 is a bottom plan view thereof.
The broken lines illustrate portions of the sofa that form no part of the claimed design.
The appearance of any portion of the sofa between the break lines forms no part of the claimed design.

(56) **References Cited**

U.S. PATENT DOCUMENTS

D174,828 S 5/1955 Michlin
D176,938 S 2/1956 Wilson
3,695,690 A * 10/1972 Carson A47C 31/11
297/218.3
D234,731 S * 4/1975 McDonald D6/371
D239,580 S * 4/1976 Robertson et al. D6/381
D241,590 S * 9/1976 Kaplan D6/381
D255,513 S * 6/1980 Collins D6/377
D268,970 S 5/1983 Mascheroni
D269,482 S 6/1983 Ungaro
D270,308 S 8/1983 Aronowitz et al.
D360,310 S * 7/1995 Stamberg D6/334
D382,124 S 8/1997 Chandler
D399,661 S * 10/1998 Smith D6/334
D404,930 S 2/1999 Gibson

1 Claim, 6 Drawing Sheets



(56)

References Cited

U.S. PATENT DOCUMENTS

D561,496 S 2/2008 Kreiss
 D562,022 S 2/2008 Hackethal et al.
 D566,417 S 4/2008 Mourgue
 D576,818 S 9/2008 Kreiss
 D584,900 S * 1/2009 Hackethal D6/334
 D585,200 S * 1/2009 Lissoni D6/334
 D586,146 S 2/2009 Mourgue
 D586,578 S 2/2009 Mourgue
 D587,028 S 2/2009 Mourgue
 D587,029 S 2/2009 Mourgue
 D588,827 S 3/2009 Mourgue
 D590,166 S 4/2009 Natuzzi
 D591,071 S 4/2009 Weiss
 D614,876 S 5/2010 Metcalf et al.
 D618,935 S 7/2010 Metcalf et al.
 D647,317 S 10/2011 Urquiola
 D655,935 S 3/2012 Semp
 D666,424 S * 9/2012 Carter, III D6/334
 D685,202 S 7/2013 Sage
 D688,475 S 8/2013 Blet et al.
 D698,173 S 1/2014 Caldwell
 D698,177 S 1/2014 Nguyen et al.
 D698,178 S 1/2014 Nguyen et al.
 D698,179 S * 1/2014 Nguyen D6/381
 D699,456 S 2/2014 Bosman
 D720,142 S 12/2014 Nigro
 D725,921 S 4/2015 Banda
 D736,535 S 8/2015 Foersom et al.
 D749,862 S 2/2016 Polk-Kuku
 D763,000 S 8/2016 King et al.
 D763,590 S 8/2016 King et al.
 D763,591 S 8/2016 King et al.
 D763,592 S 8/2016 King et al.
 D781,610 S 3/2017 King et al.

D800,460 S 10/2017 Rockwell et al.
 D802,323 S 11/2017 Binfare
 D807,655 S * 1/2018 Webb D6/335
 D807,660 S * 1/2018 Hughes D6/381
 D815,443 S 4/2018 Bozzoli
 D815,851 S * 4/2018 Rafieha D6/381
 D834,849 S 12/2018 Binfare
 D842,617 S 3/2019 Carter
 D843,749 S 3/2019 Aubry
 D849,438 S 5/2019 Williams, Jr. et al.
 D849,439 S 5/2019 Williams, Jr. et al.
 D850,141 S 6/2019 King et al.
 D850,142 S 6/2019 King et al.
 2011/0010847 A1 1/2011 Murphy

OTHER PUBLICATIONS

Kipton Ottoman. Arhaus Furniture. [online] Retrieved Aug. 1, 2018 from URL: [https://www.arhaus.com/furniture/living-room-furniture/all-living-room-furniture/kipton-ottoman/?Fabric Name=PLUSH%20LINEN&Width=41%22&](https://www.arhaus.com/furniture/living-room-furniture/all-living-room-furniture/kipton-ottoman/?Fabric+Name=PLUSH%20LINEN&Width=41%22&).
 Blu Dot Catalog No. 16, Designed in Minneapolis, Minnesota, Copyright 2015, 44 pages, which the Applicant believes to have been published prior to the filing date of the instant application.
 Blu Dot Catalog No. 17, Designed in Minneapolis, Minnesota, Copyright 2015, 52 pages, which the Applicant believes to have been published prior to the filing date of the instant application.
 Blu Dot Catalog No. 18, Designed in Minneapolis, Minnesota, Copyright 2015, 51 pages, which the Applicant believes to have been published prior to the filing date of the instant application.
 Blu Dot Catalog No. 19, Designed in Minneapolis, Minnesota, Copyright 2016, 54 pages, which the Applicant believes to have been published prior to the filing date of the instant application.

* cited by examiner

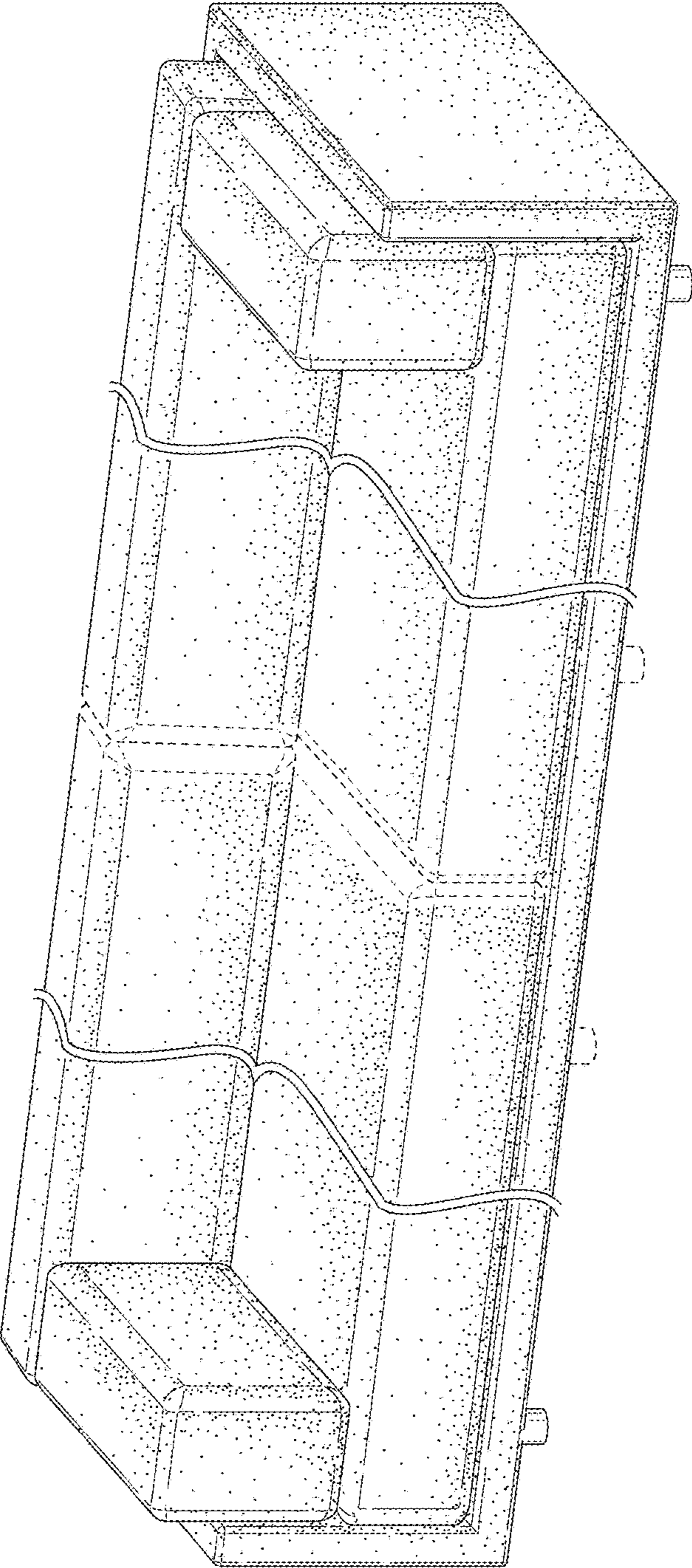


FIG. 1

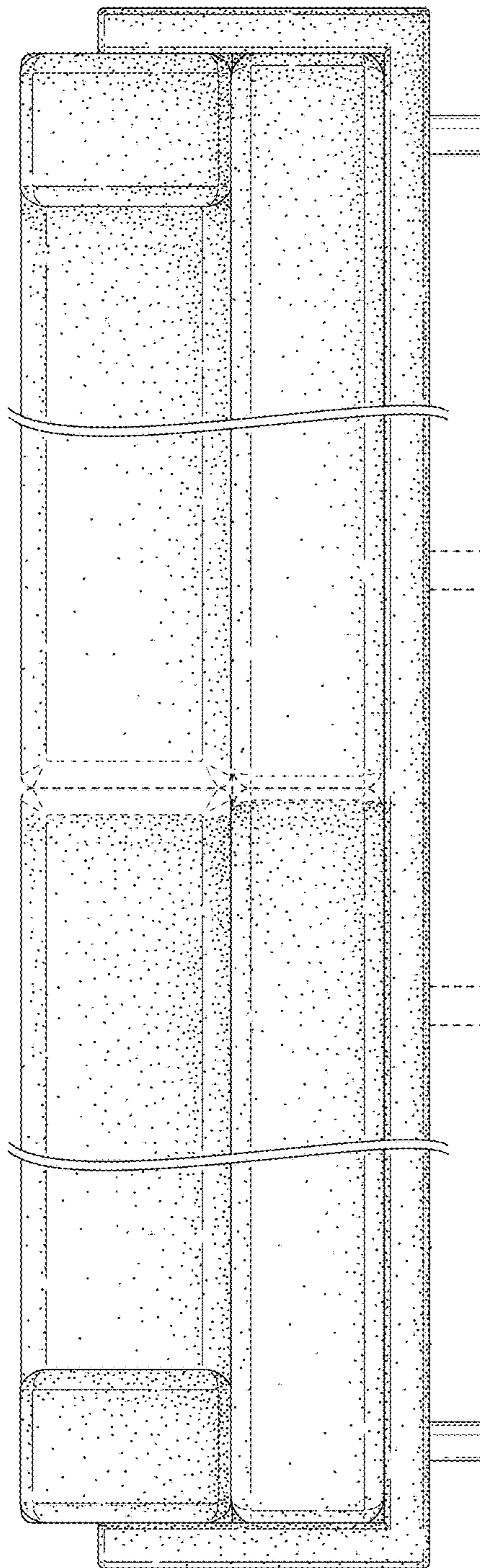


FIG. 2

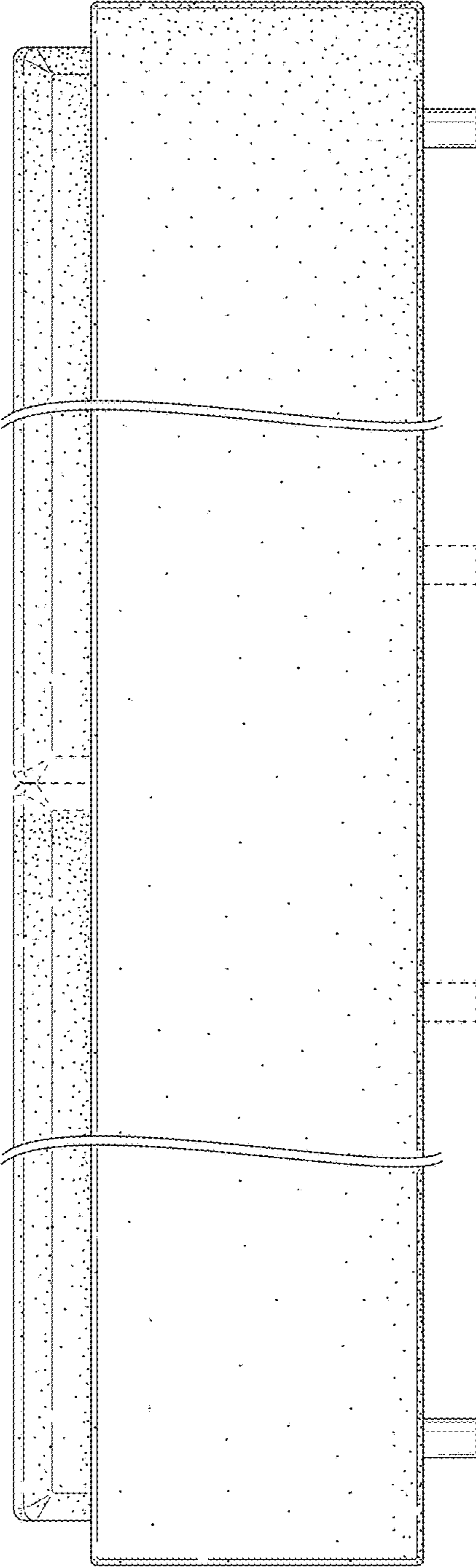


FIG. 3

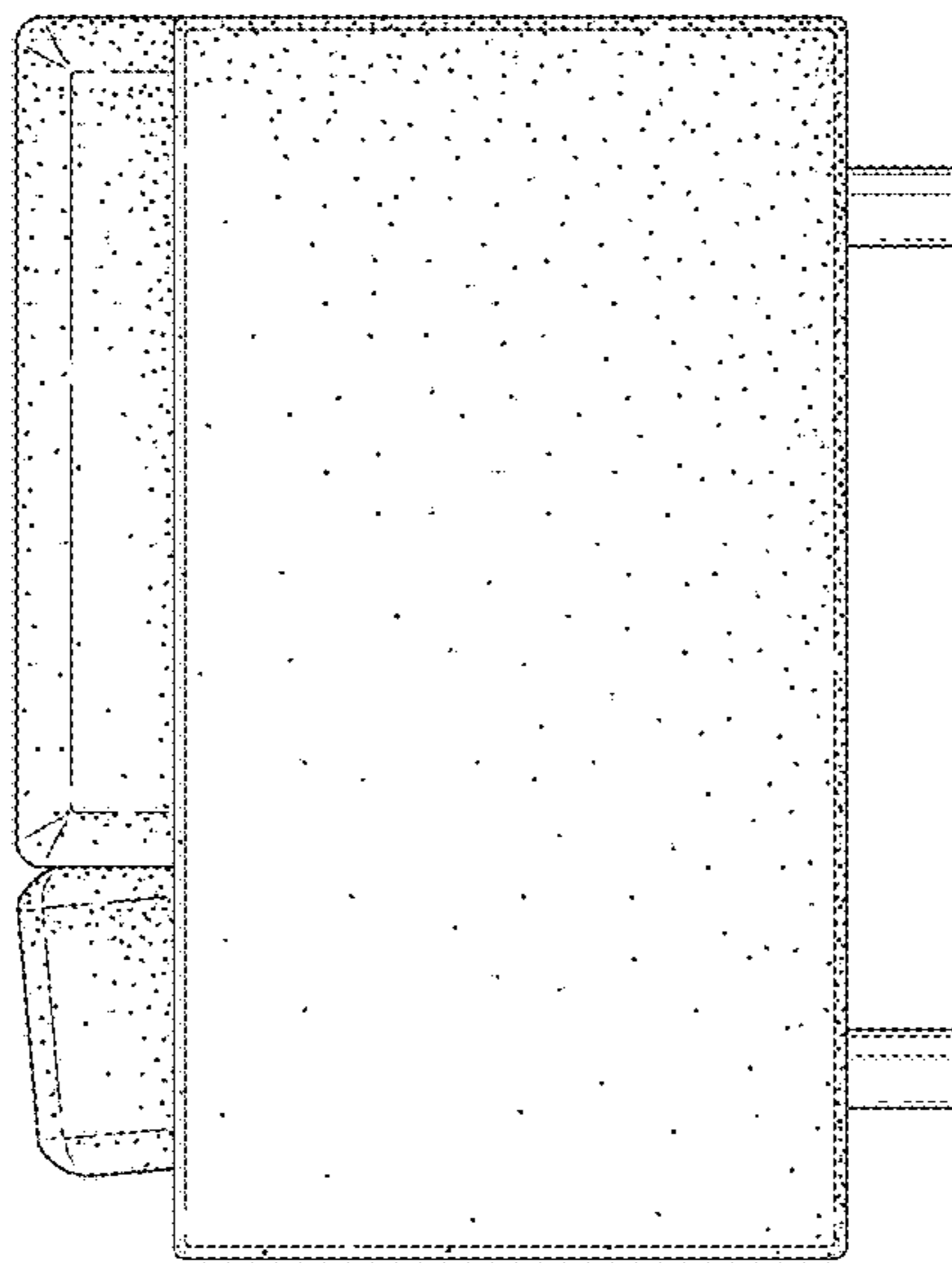


FIG. 4

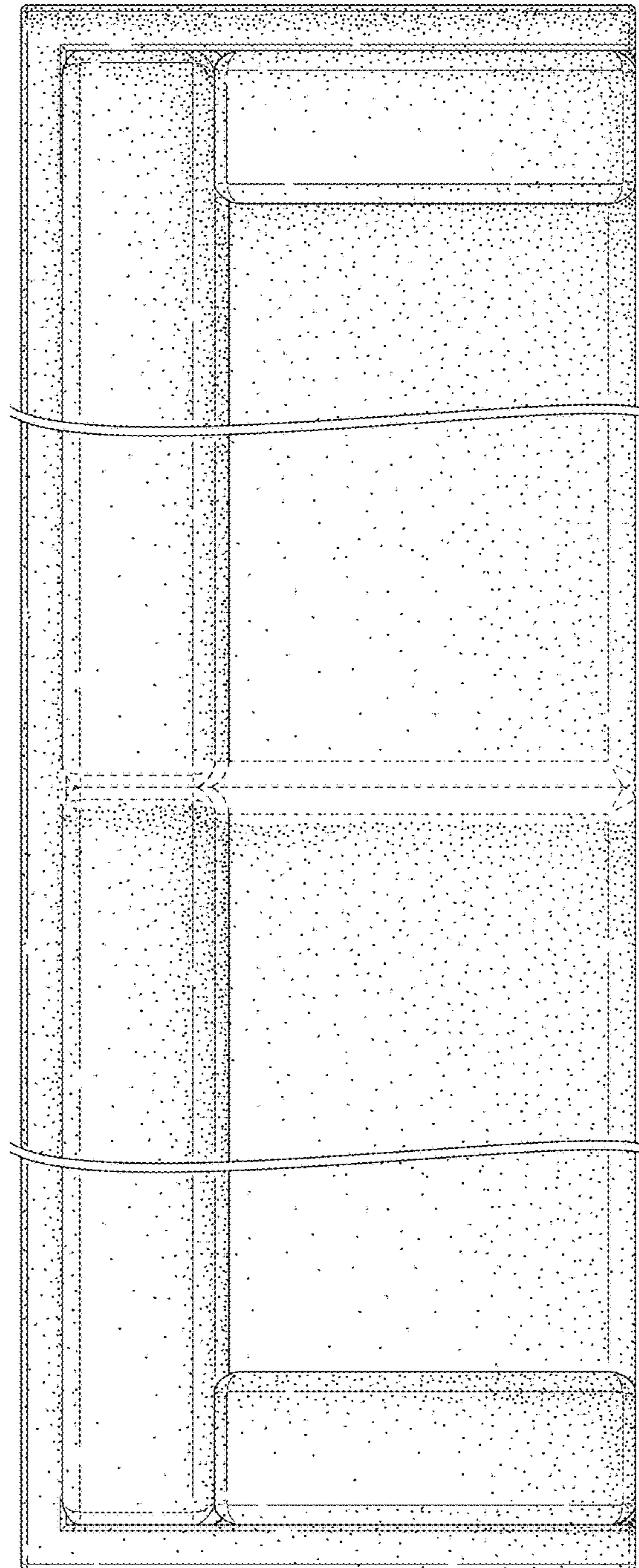


FIG. 5

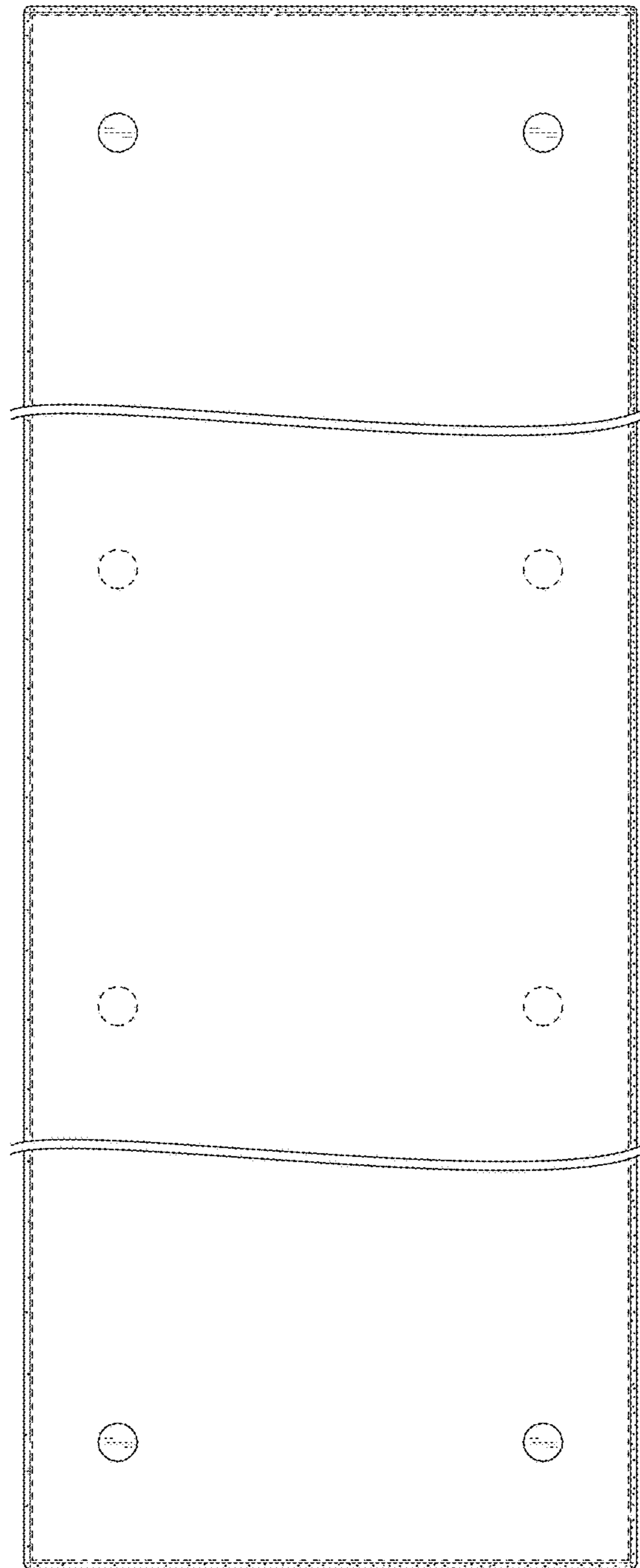


FIG. 6