



US00D883695S

(12) **United States Design Patent**  
**Urquiola**

(10) **Patent No.:** **US D883,695 S**

(45) **Date of Patent:** **\*\* \*May 12, 2020**

(54) **CHAIR**

(71) Applicant: **Haworth, Inc.**, Holland, MI (US)

(72) Inventor: **Patricia Urquiola**, Milan (IT)

(73) Assignee: **Haworth, Inc.**, Holland, MI (US)

(\*) Notice: This patent is subject to a terminal disclaimer.

(\*\*) Term: **15 Years**

(21) Appl. No.: **29/644,803**

(22) Filed: **Apr. 20, 2018**

(51) **LOC (12) Cl.** ..... **06-01**

(52) **U.S. Cl.**

USPC ..... **D6/374; D6/376**

(58) **Field of Classification Search**

USPC ..... D6/334-336, 371, 372, 373, 374, 375,  
D6/376, 379, 380, 716, 716.1, 716.2,  
D6/716.4

CPC .... A47C 4/02; A47C 4/03; A47C 3/12; A47C  
5/04; A47C 5/12; A47C 4/024; A47C  
4/028; A47C 7/16; A47C 7/54

See application file for complete search history.

(56) **References Cited**

**U.S. PATENT DOCUMENTS**

D455,571 S \* 4/2002 Van De Riet ..... D6/374  
D456,164 S \* 4/2002 Vanderiet ..... D6/374

D519,294 S \* 4/2006 Frenkler ..... D6/375  
D665,593 S \* 8/2012 Morrison ..... D6/375  
D693,139 S \* 11/2013 Darrow ..... D6/374  
D779,220 S \* 2/2017 Martinez ..... D6/375  
D811,790 S \* 3/2018 Chavarria ..... D6/375  
D863,805 S \* 10/2019 Jones ..... D6/374

\* cited by examiner

*Primary Examiner* — Mimoso De

(74) *Attorney, Agent, or Firm* — Warner Norcross + Judd LLP

(57) **CLAIM**

The ornamental design for a chair, as shown and described.

**DESCRIPTION**

FIG. 1 is a front perspective view of the chair embodying the new design;

FIG. 2 is a rear perspective view thereof;

FIG. 3 is a front view thereof;

FIG. 4 is a rear view thereof;

FIG. 5 is a right side view thereof;

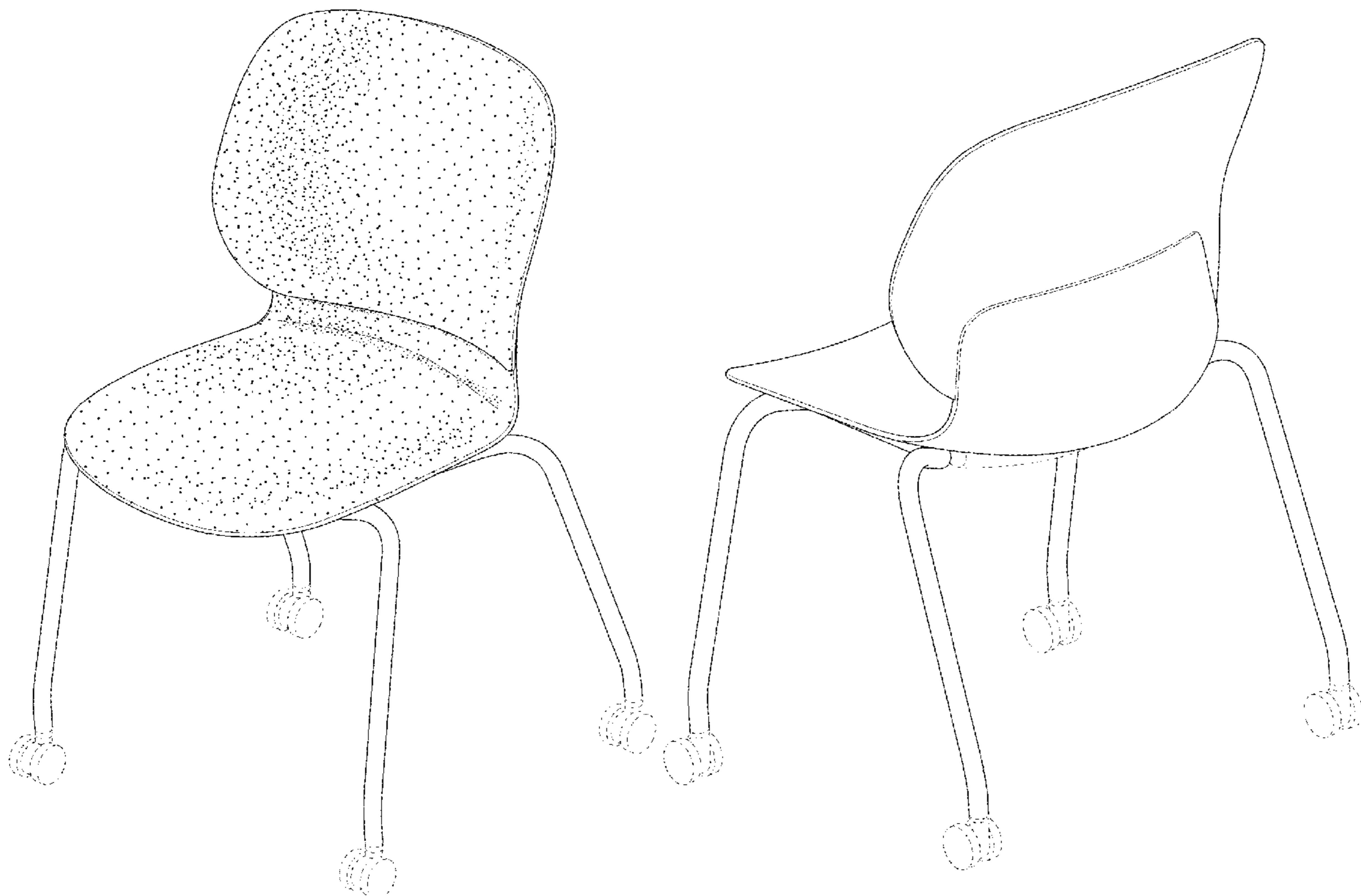
FIG. 6 is a left side view thereof;

FIG. 7 is a top view thereof; and,

FIG. 8 is a bottom view thereof.

FIGS. 1-8 show portions of a chair in broken lines. The portions shown in broken lines are for environmental purposes only and form no part of the claimed design. Stipple shading is added to FIG. 1 to convey surface contouring; the stipple shading is not to be understood as conveying a particular surface finish.

**1 Claim, 7 Drawing Sheets**



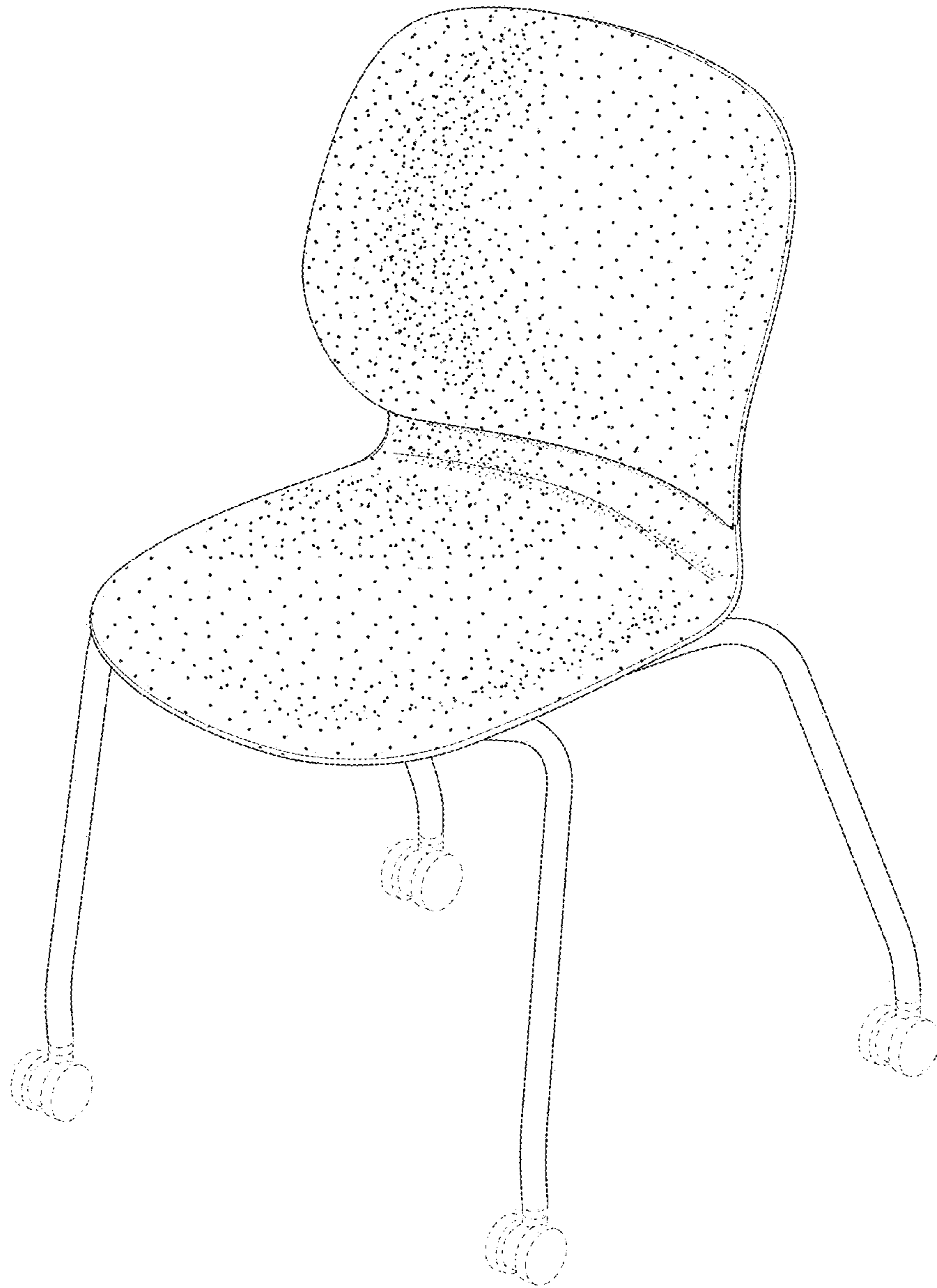


Fig. 1

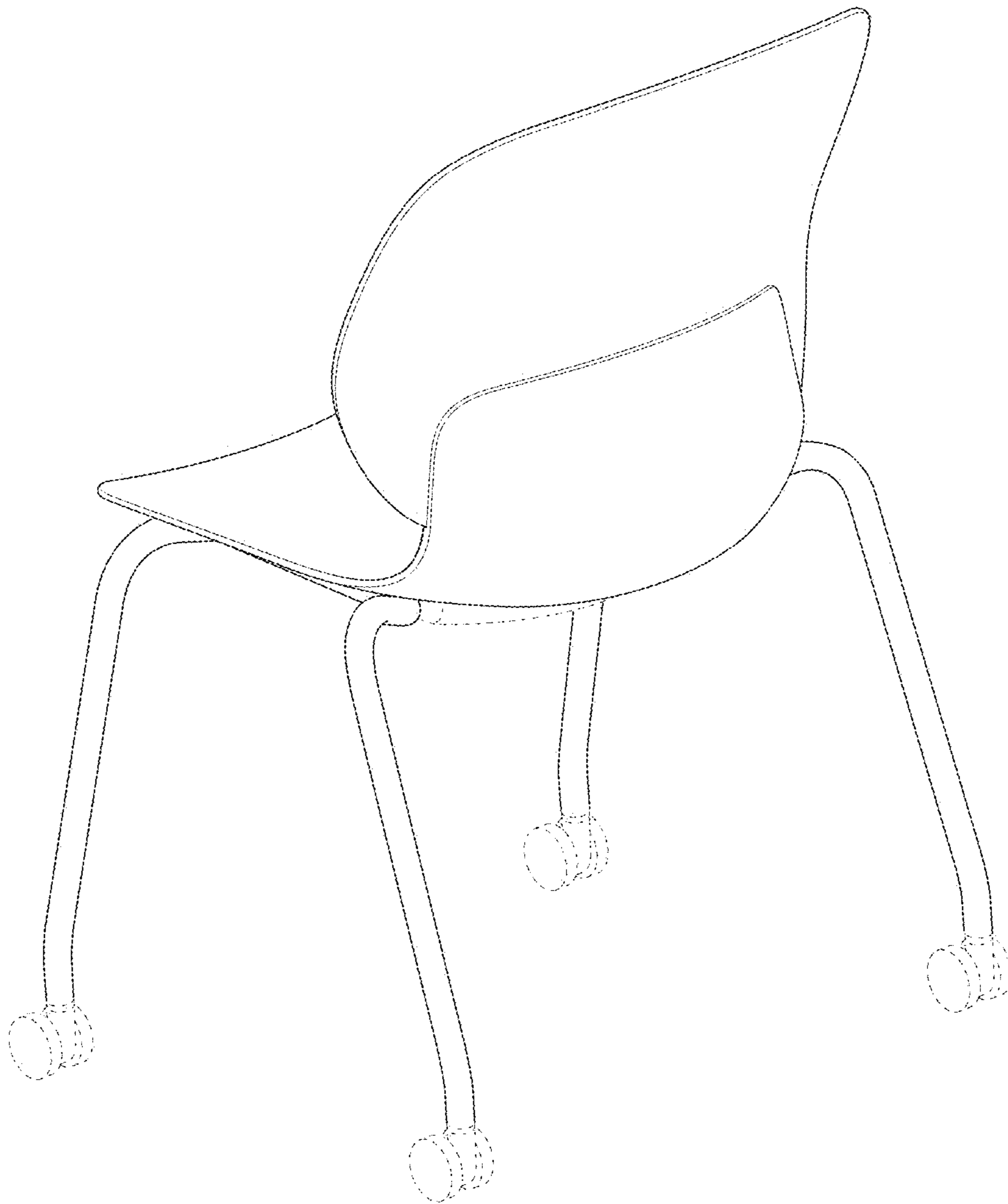


Fig. 2

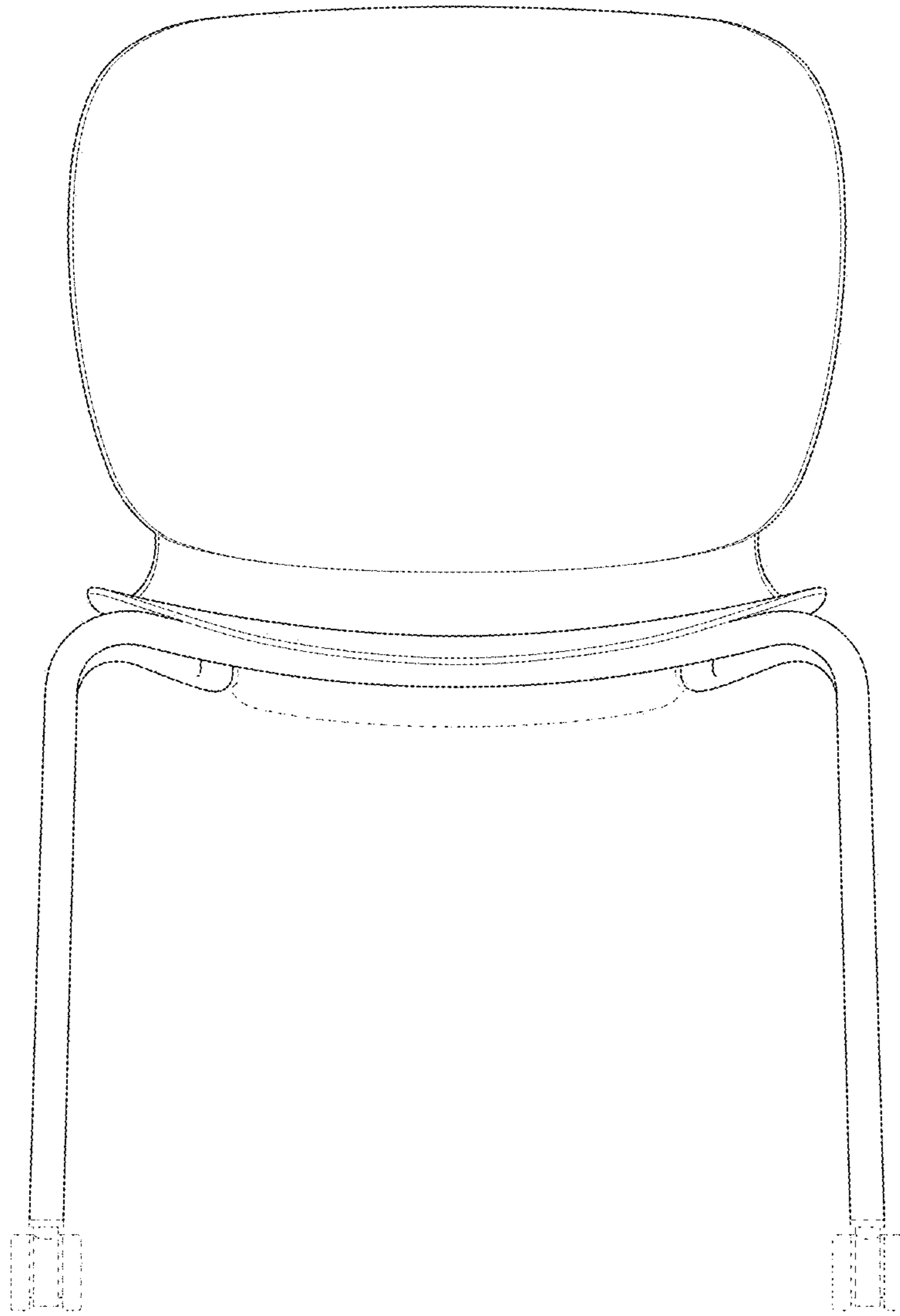


Fig. 3

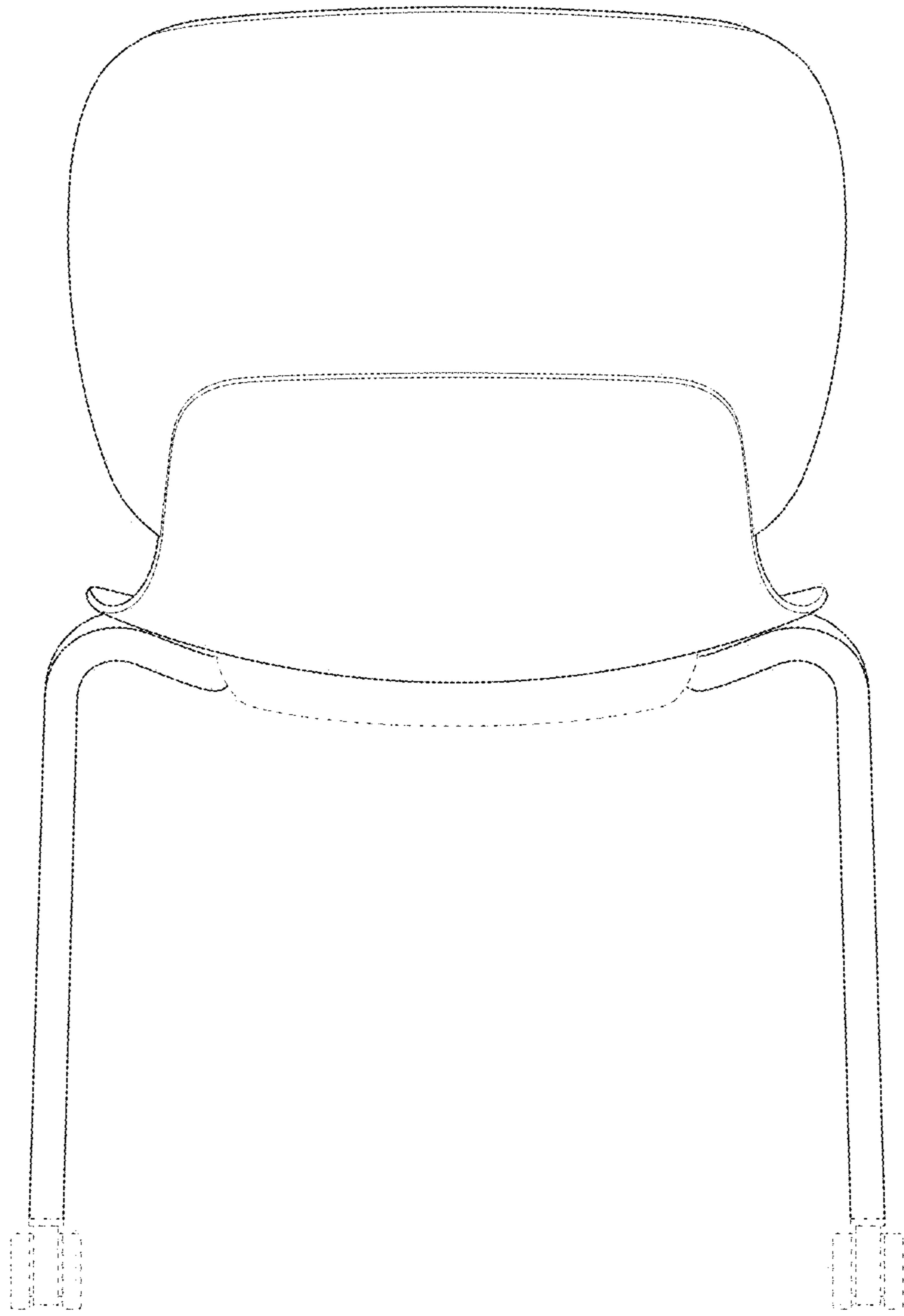


Fig. 4

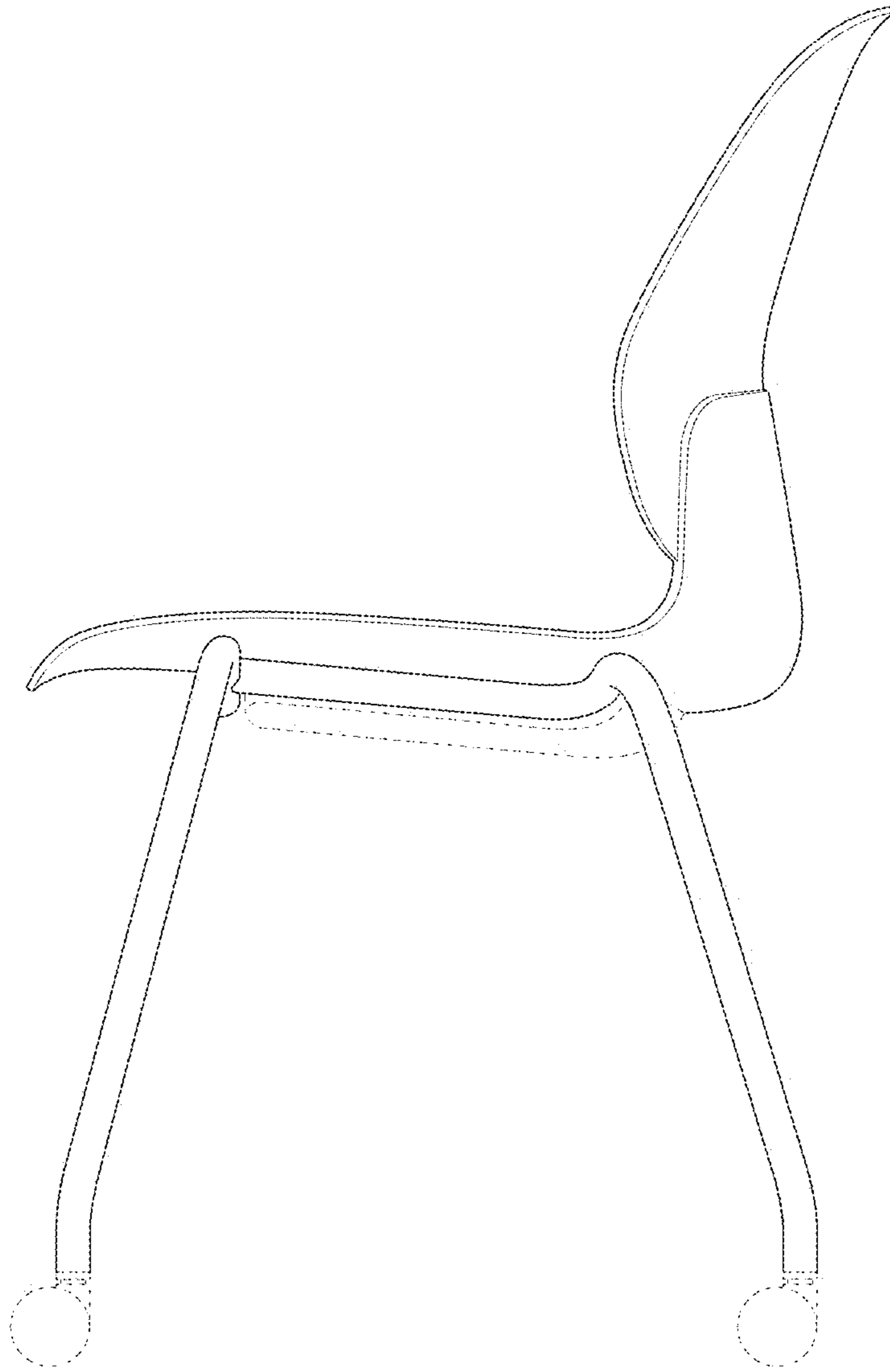


Fig. 5

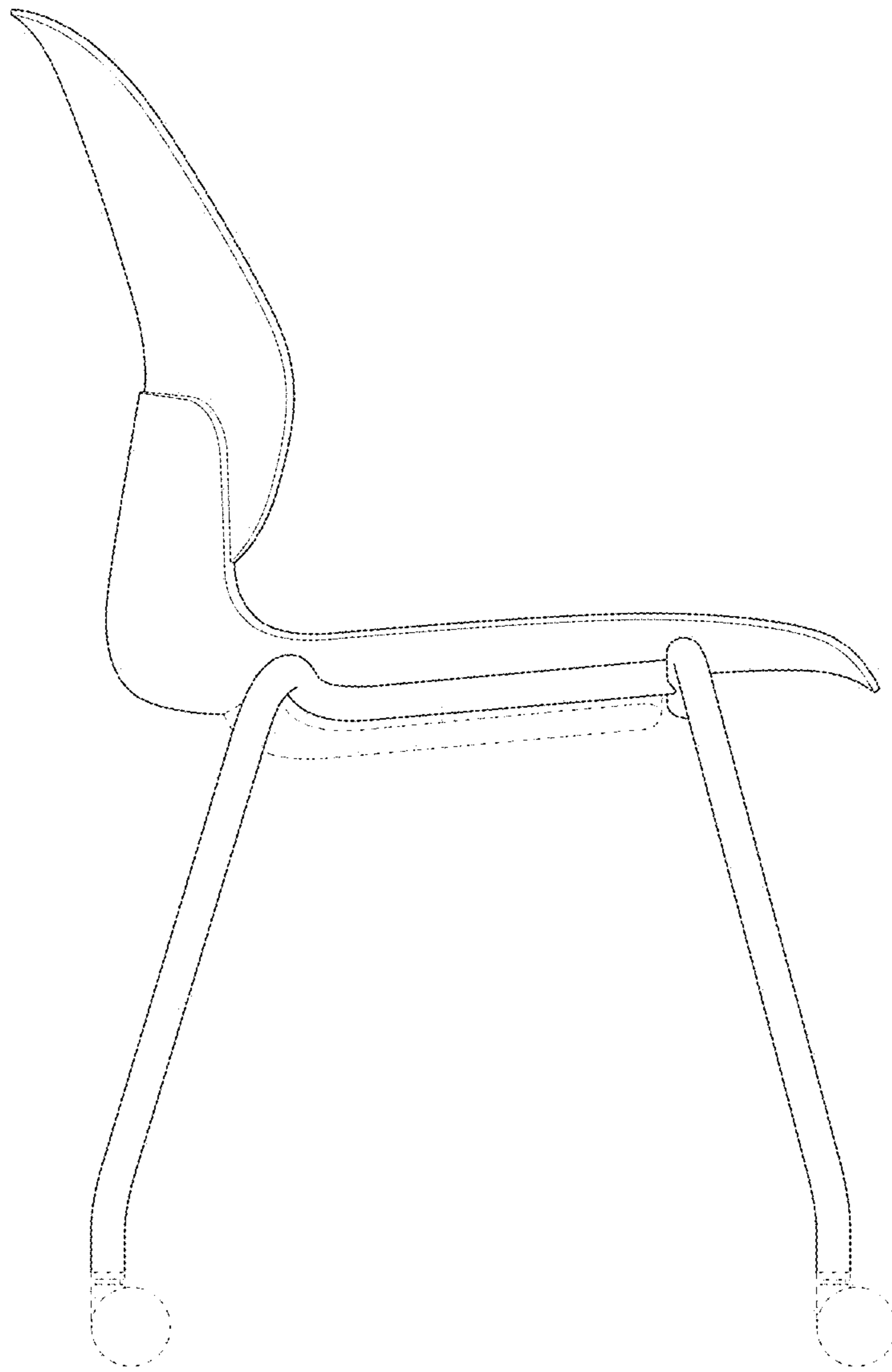


Fig. 6



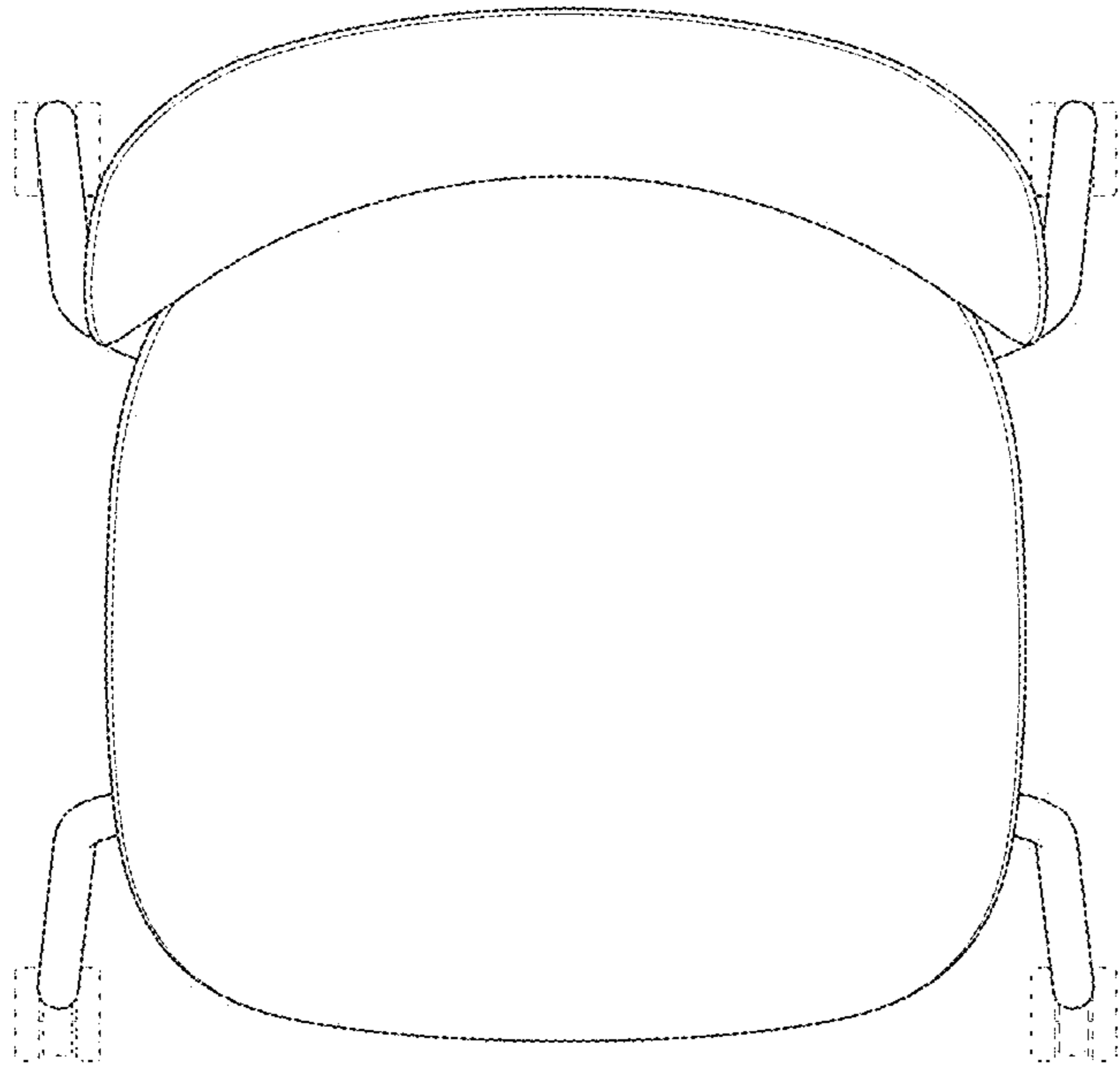


Fig. 7

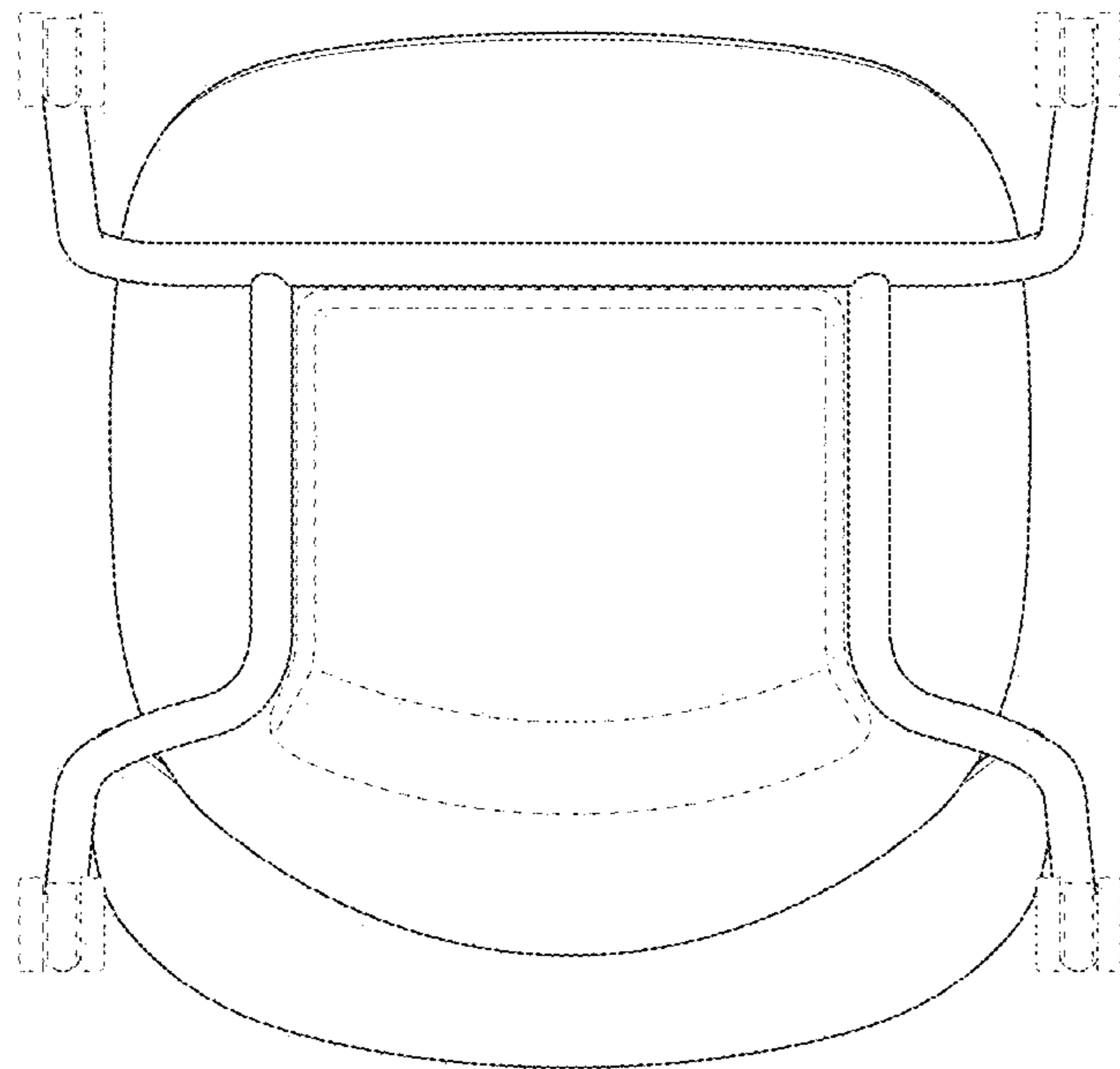


Fig. 8