



US00D883690S

(12) **United States Design Patent**
Dassen et al.

(10) **Patent No.:** **US D883,690 S**

(45) **Date of Patent:** **** May 12, 2020**

(54) **CHAIR**

(71) Applicant: **Haworth, Inc.**, Holland, MI (US)

(72) Inventors: **Arne Dassen**, Holland, MI (US);
Timothy D. Stoepker, Grand Rapids,
MI (US); **Stephen J. Simpson**, Grand
Rapids, MI (US); **Adam B. VerBeek**,
Holland, MI (US); **William F.**
Schroeder, II, Jenison, MI (US)

(73) Assignee: **Haworth, Inc.**, Holland, MI (US)

(**) Term: **15 Years**

(21) Appl. No.: **29/644,783**

(22) Filed: **Apr. 20, 2018**

(51) **LOC (12) Cl.** **06-01**

(52) **U.S. Cl.**
USPC **D6/366**

(58) **Field of Classification Search**
USPC D6/334-336, 364, 365, 366, 374, 379,
D6/380, 716, 716.1, 716.2, 716.4
CPC A47C 7/004; A47C 7/006; A47C 7/02;
A47C 7/18; A47C 7/24; A47C 7/282;
A47C 7/40; A47C 7/44; A47C 7/46;
A47C 7/54; B60N 2/66
See application file for complete search history.

(56) **References Cited**

U.S. PATENT DOCUMENTS

D445,580 S *	7/2001	Pennington	D6/366
D446,397 S *	8/2001	Pennington	D6/366
D558,995 S *	1/2008	Igarashi	D6/366
D558,996 S *	1/2008	Igarashi	D6/366
D559,573 S *	1/2008	Igarashi	D6/366
D568,057 S *	5/2008	Igarashi	D6/366
D655,522 S *	3/2012	Czumaj-Bront	D6/366
D662,330 S *	6/2012	Tanaka	D6/366
D666,841 S *	9/2012	Czumaj-Bront	D6/366

D671,330 S *	11/2012	Izawa	D6/366
D671,332 S *	11/2012	Izawa	D6/366
D671,759 S *	12/2012	Hurford	D6/366
D679,107 S *	4/2013	Darrow	D6/366
D710,640 S *	8/2014	Usumoto	D6/716
D724,367 S *	3/2015	Sander	D6/716
D763,587 S *	8/2016	Neil	D6/366
D792,120 S *	7/2017	Webb	D6/366
D792,717 S *	7/2017	Webb	D6/366
D793,112 S *	8/2017	Webb	D6/366
D799,843 S *	10/2017	Chen	D6/366
D801,068 S *	10/2017	Meda	D6/366
D801,719 S *	11/2017	Meda	D6/366
D802,315 S *	11/2017	Meda	D6/366

(Continued)

Primary Examiner — Mimosa De

(74) *Attorney, Agent, or Firm* — Warner Norcross + Judd
LLP

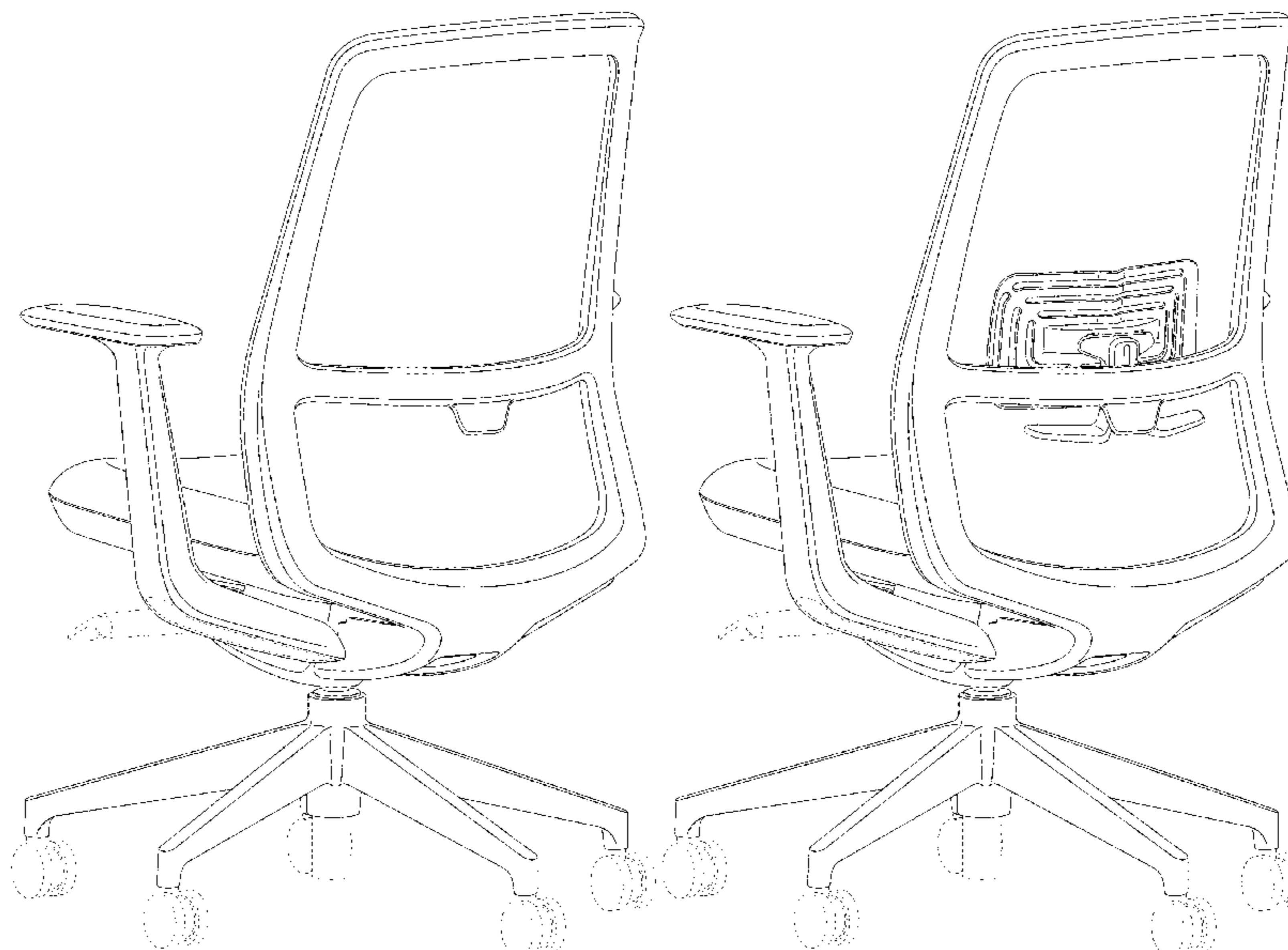
(57) **CLAIM**

The ornamental design for a chair, as shown and described.

DESCRIPTION

FIG. 1 is a front perspective view of the chair embodying the new design;
FIG. 2 is a rear perspective view thereof;
FIG. 3 is a front view thereof;
FIG. 4 is a rear view thereof;
FIG. 5 is a right side view thereof;
FIG. 6 is a left side view thereof;
FIG. 7 is a top view thereof;
FIG. 8 is a bottom view thereof;
FIG. 9 is a rear perspective view of the chair with a lumbar support;
FIG. 10 is a rear view thereof; and,
FIG. 11 is a right side view thereof.
FIGS. 1-11 show portions of a chair in broken lines. The portions shown in broken lines are for environmental purposes only and form no part of the claimed design.

1 Claim, 10 Drawing Sheets



(56)

References Cited

U.S. PATENT DOCUMENTS

D802,316 S	*	11/2017	Meda	D6/366
D809,842 S	*	2/2018	Su	D6/716.4
D816,362 S	*	5/2018	Su	D6/366
D816,363 S	*	5/2018	Su	D6/366
D831,991 S	*	10/2018	Meda	D6/366
D837,553 S	*	1/2019	Meda	D6/366
D851,951 S	*	6/2019	Wu	D6/366
D856,695 S	*	8/2019	Chen	D6/366

* cited by examiner



Fig. 1



Fig. 2

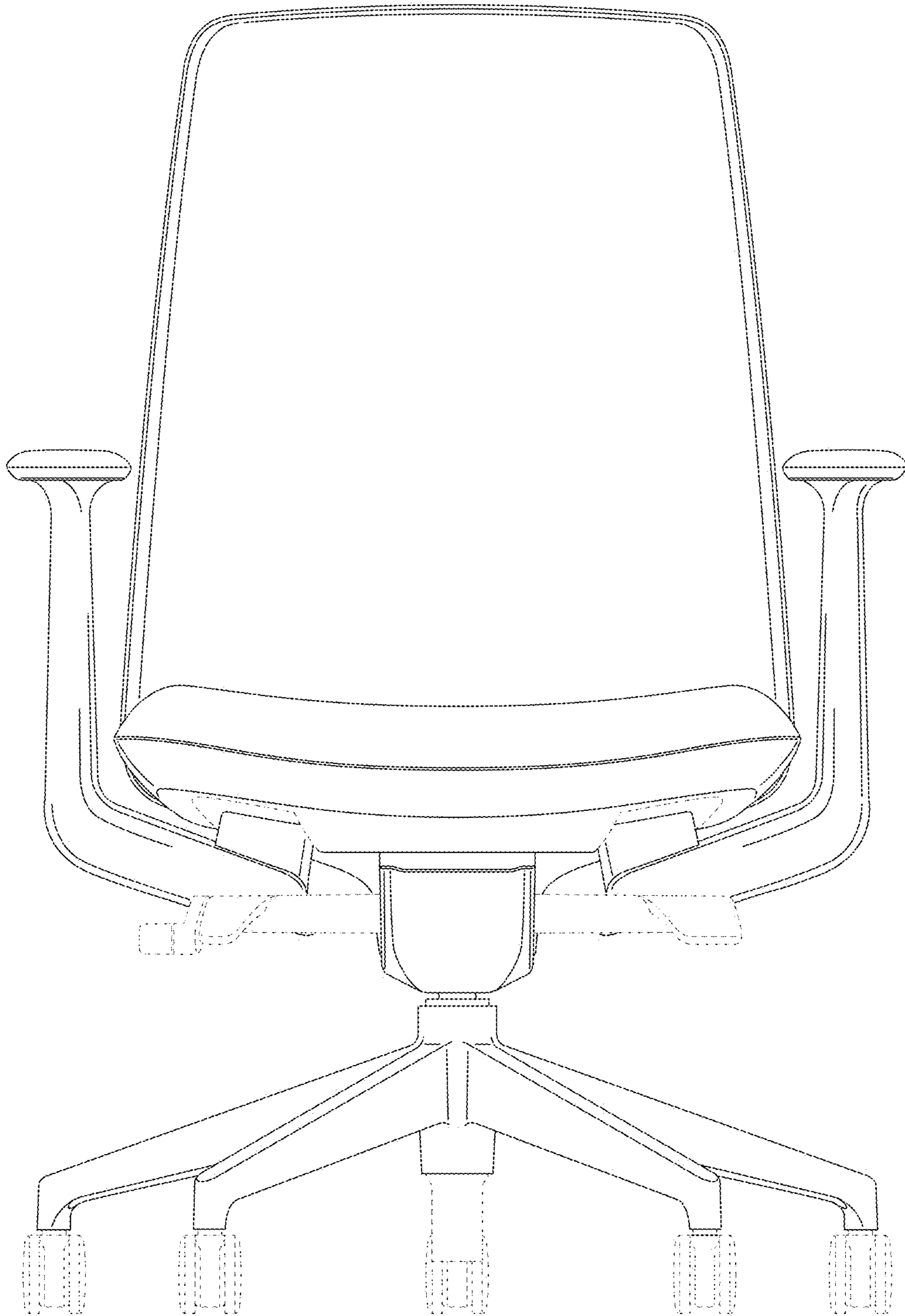


Fig. 3

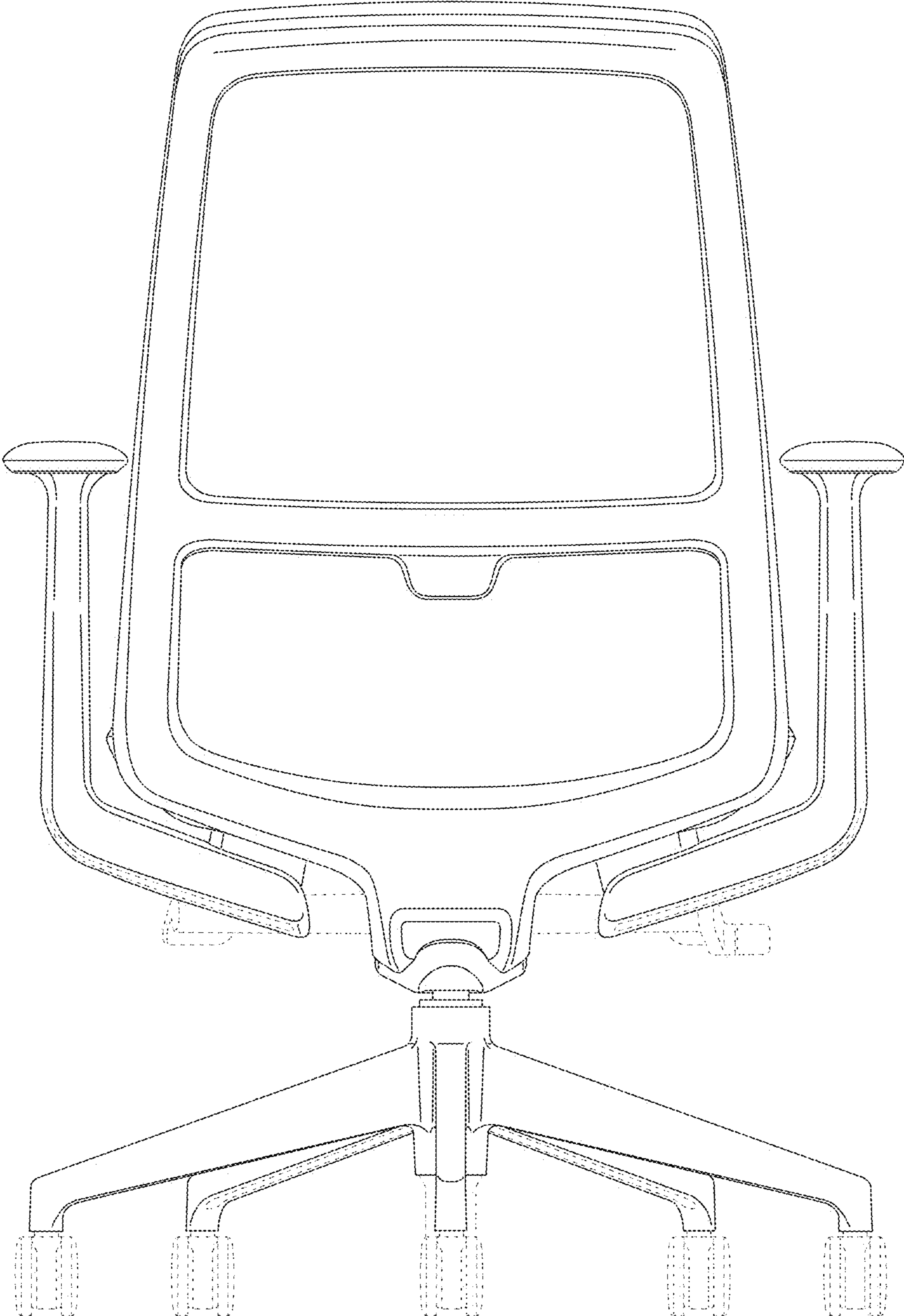


Fig. 4



Fig. 5



Fig. 6

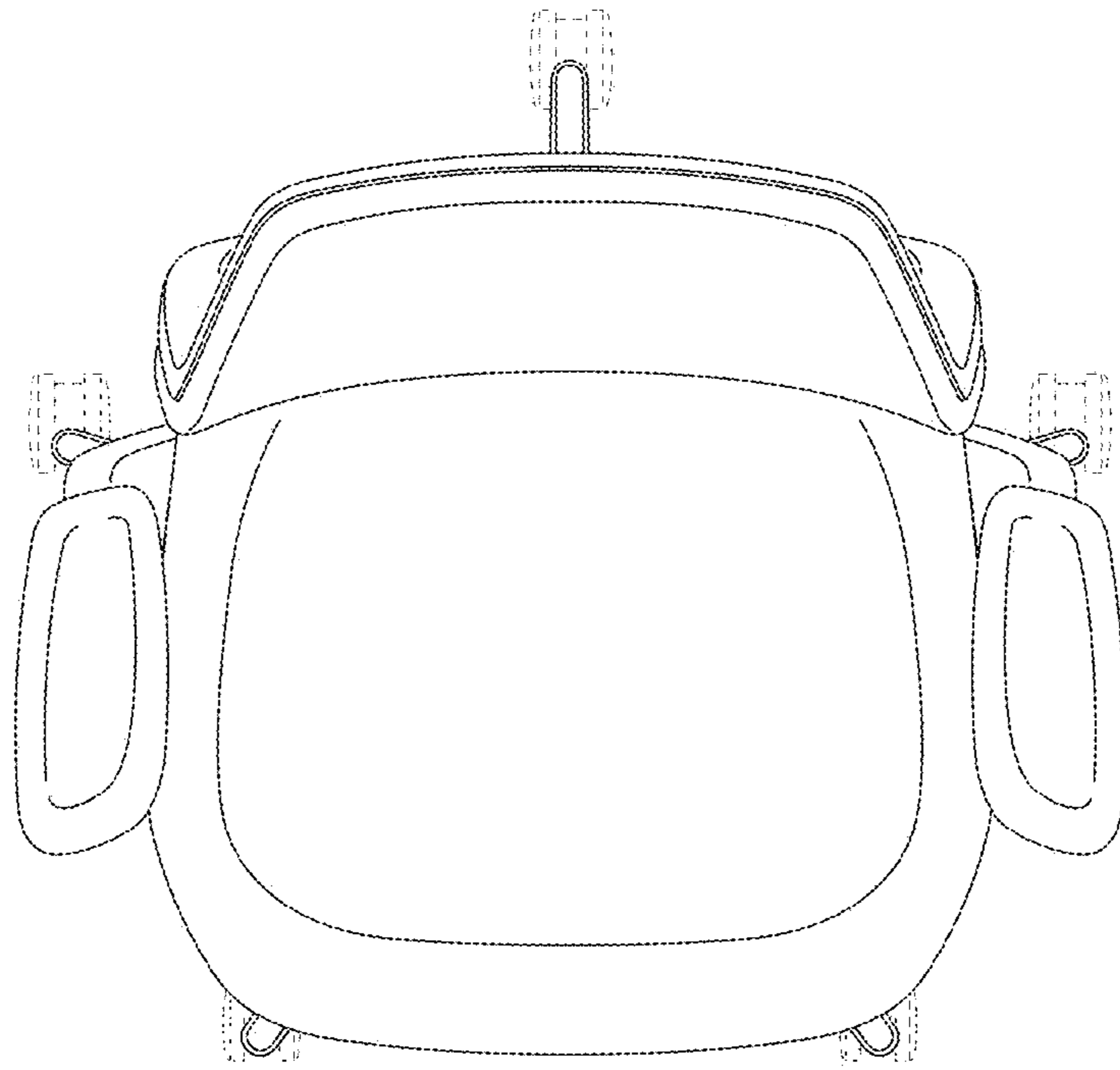


Fig. 7

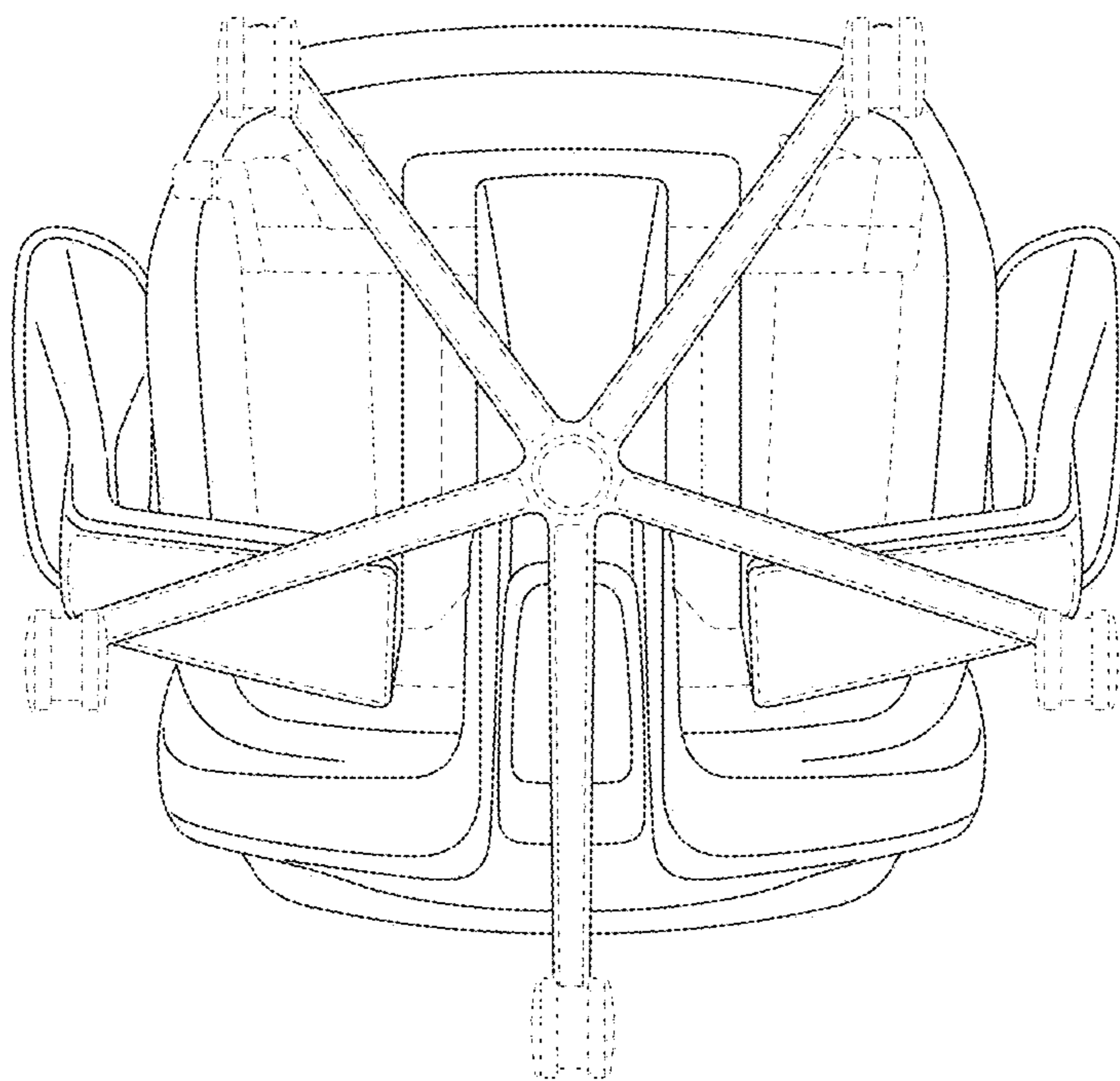


Fig. 8

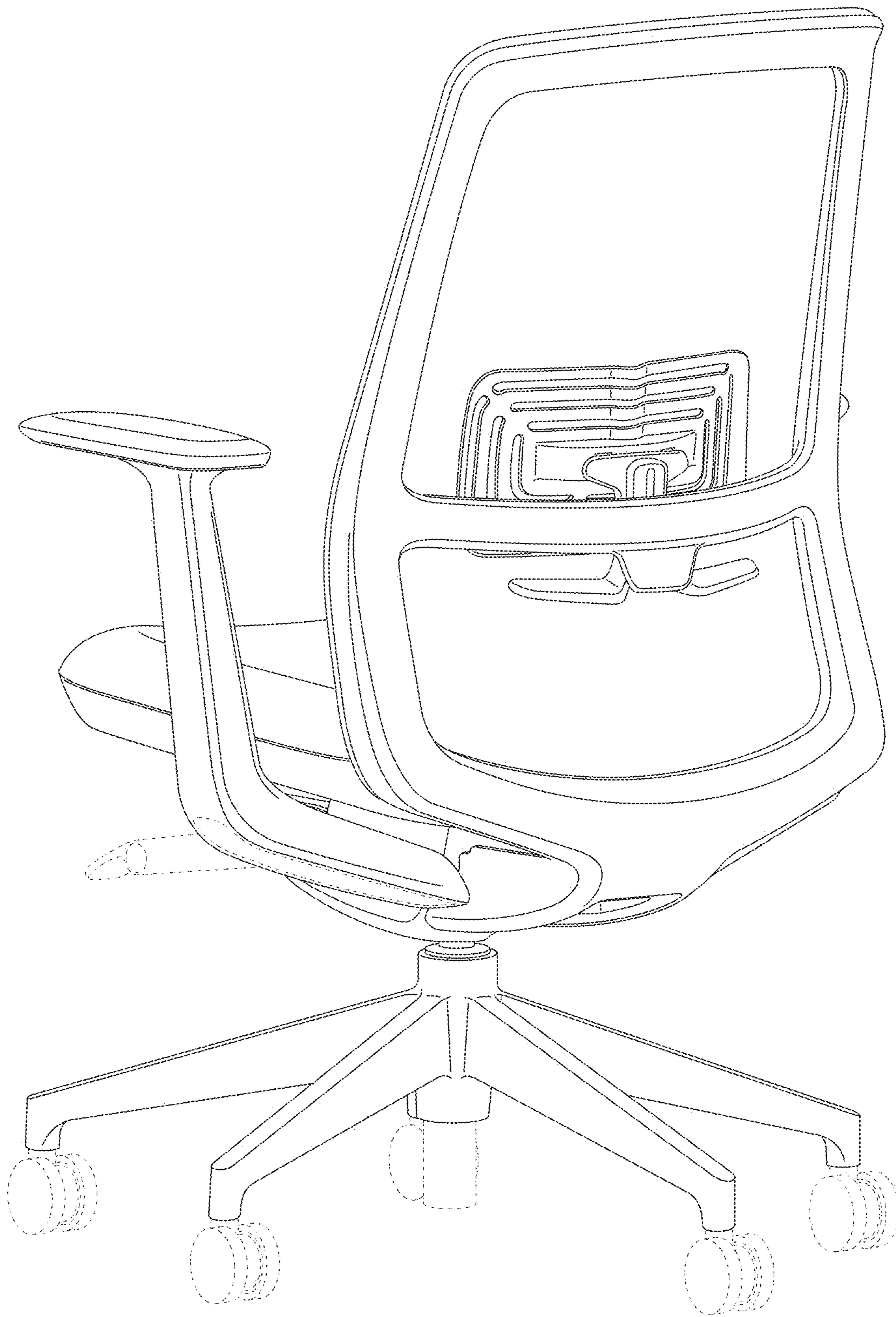


Fig. 9

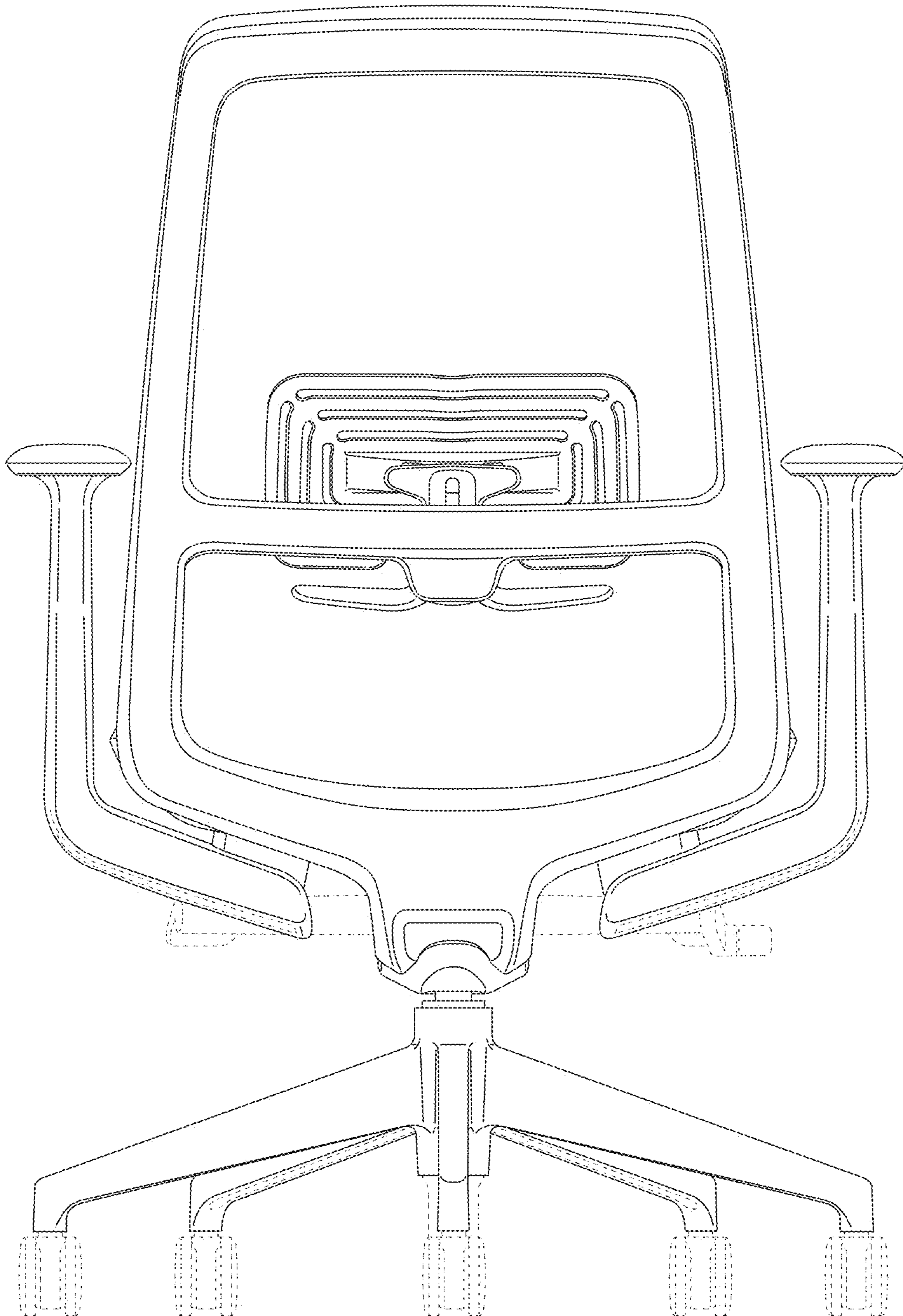


Fig. 10

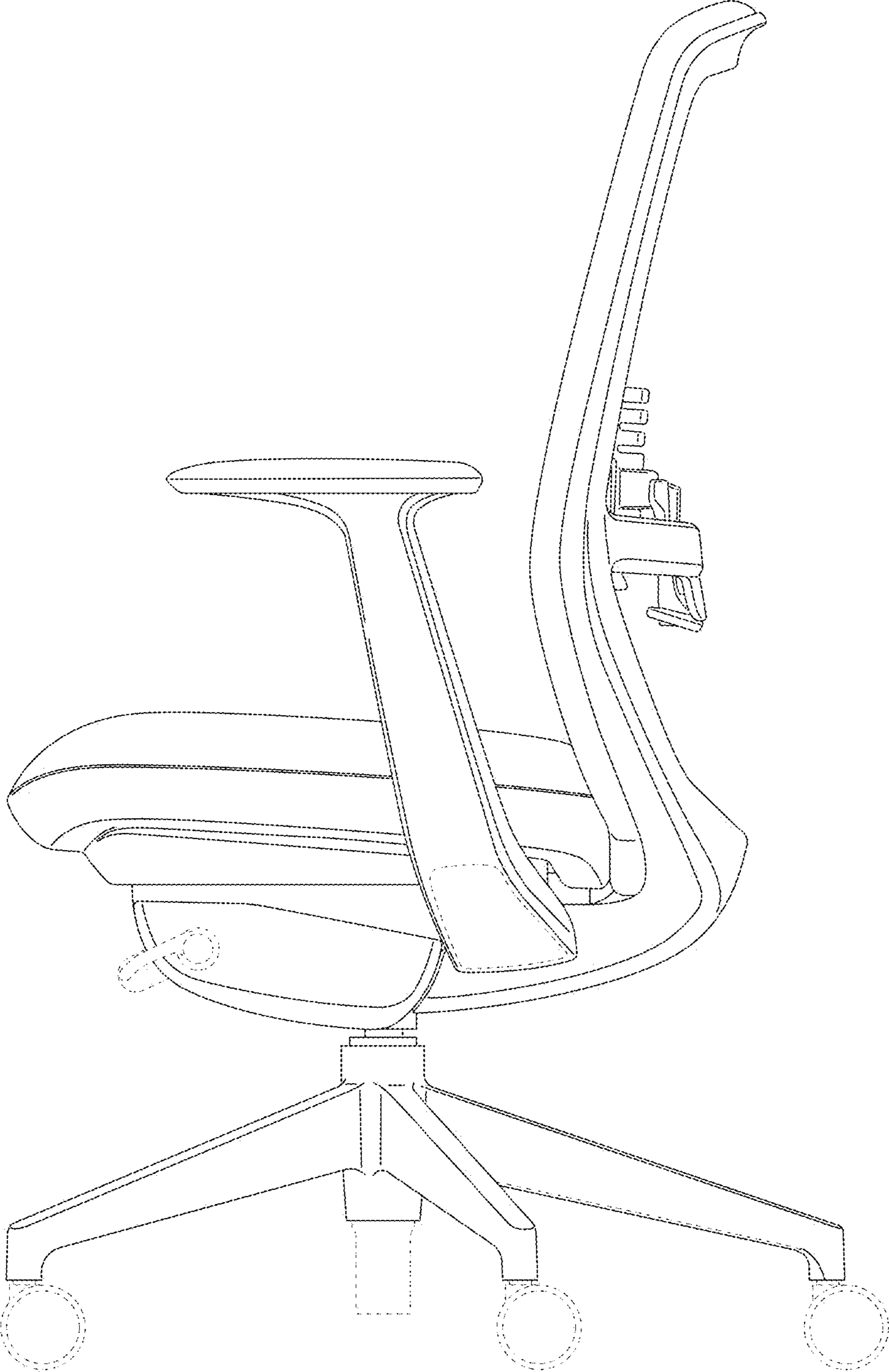


Fig. 11