



US00D883687S

(12) **United States Design Patent**
Urquiola

(10) **Patent No.:** **US D883,687 S**

(45) **Date of Patent:** **** May 12, 2020**

(54) **COMBINED SEATING SYSTEM AND TABLE**

(71) Applicant: **Haworth, Inc.**, Holland, MI (US)

(72) Inventor: **Patricia Urquiola**, Milan (IT)

(73) Assignee: **Haworth, Inc.**, Holland, MI (US)

(**) Term: **15 Years**

(21) Appl. No.: **29/667,852**

(22) Filed: **Oct. 25, 2018**

(51) **LOC (12) Cl.** **06-05**

(52) **U.S. Cl.**
USPC **D6/336**

(58) **Field of Classification Search**
USPC D6/334-338, 381, 713, 714, 717
CPC A47B 83/00; A47B 83/02; A47C 1/00;
A47C 3/12; A47C 7/18; A47C 7/66;
A47C 17/02; A47C 17/86; A47L 383/00;
A47L 383/02

See application file for complete search history.

(56) **References Cited**

U.S. PATENT DOCUMENTS

3,963,272	A *	6/1976	Jones	A47B 91/00
					297/172
5,335,962	A *	8/1994	Gera	A47C 13/005
					297/135
D359,394	S *	6/1995	Durling	D6/335
D482,535	S *	11/2003	Williams	D6/334
D680,762	S *	4/2013	Nagata	D6/335
D787,207	S *	5/2017	Webb	D6/336
D787,208	S *	5/2017	Webb	D6/336

D789,103	S *	6/2017	Webb	D6/336
D789,104	S *	6/2017	Webb	D6/336
D795,604	S *	8/2017	Webb	D6/381
10,159,342	B2 *	12/2018	Gaschy	A47B 83/001
2005/0140184	A1 *	6/2005	Williams	A47B 83/00
					297/135

* cited by examiner

Primary Examiner — Cathron C Brooks

(74) *Attorney, Agent, or Firm* — Warner Norcross + Judd LLP

(57) **CLAIM**

The ornamental design for a combined seating system and table, as shown and described.

DESCRIPTION

FIG. 1 is a front perspective view of a first embodiment of the combined seating system and table embodying the new design;

FIG. 2 is a left side view thereof;

FIG. 3 is a right side view thereof;

FIG. 4 is a top view thereof;

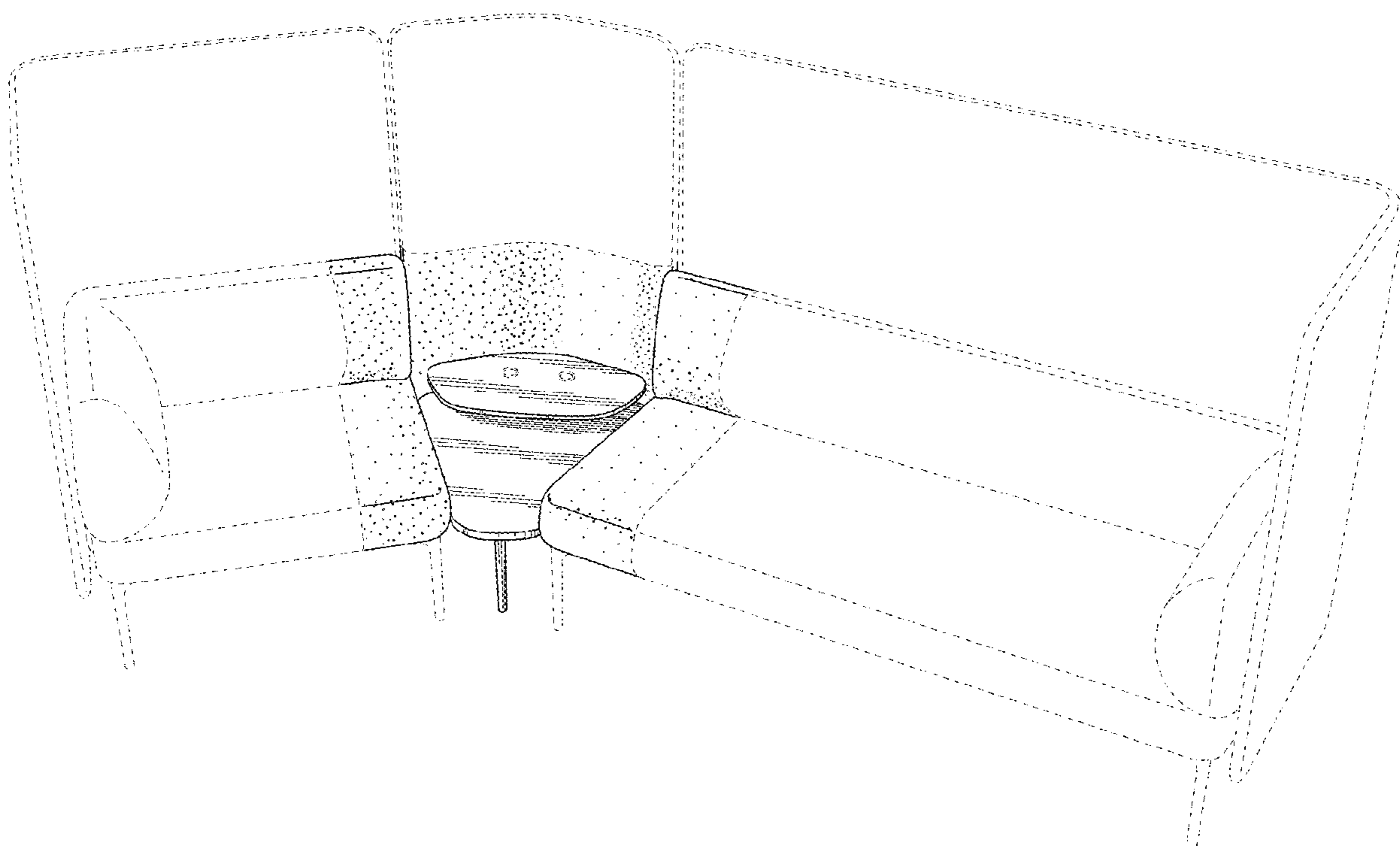
FIG. 5 is a bottom view thereof;

FIG. 6 is a front view thereof; and,

FIG. 7 is a rear view.

FIGS. 1-7 show portions of the combined seating system and table in broken lines. The portions of the combined seating system and table shown in broken lines form no part of the claimed design. Stipple shading is added to convey surface contouring; the stipple shading is not to be understood as conveying a particular surface finish.

1 Claim, 4 Drawing Sheets



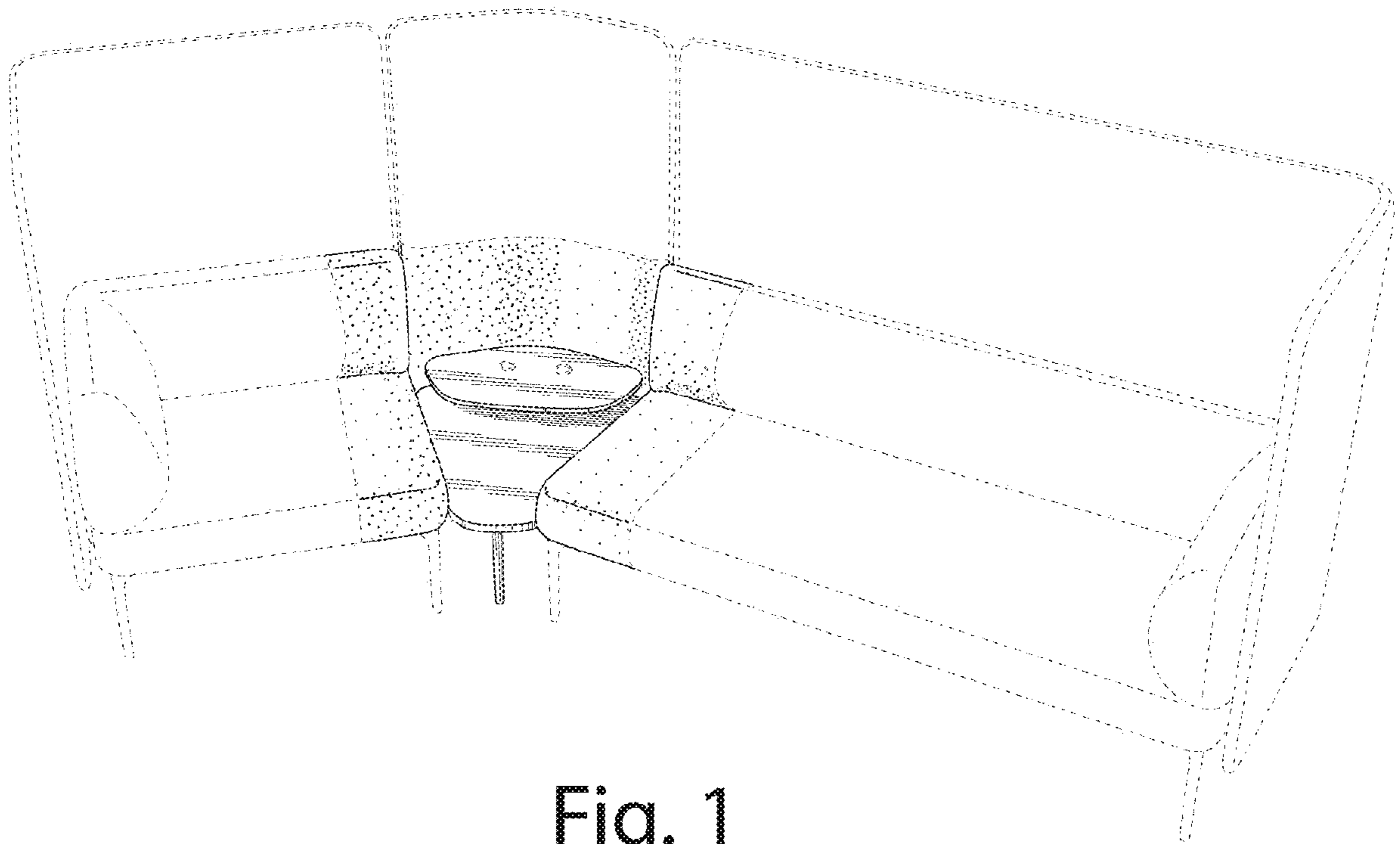


Fig. 1

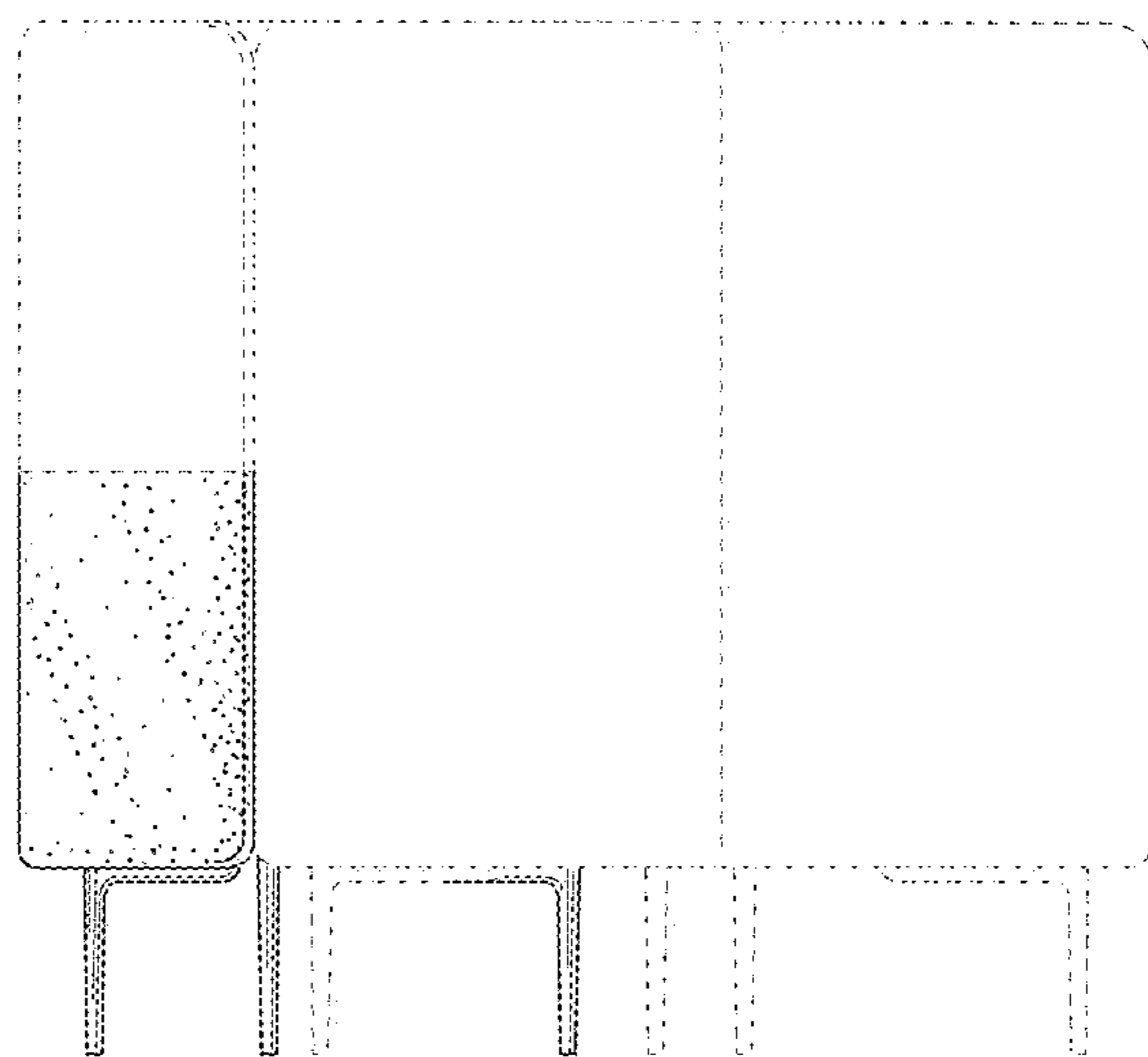


Fig. 2

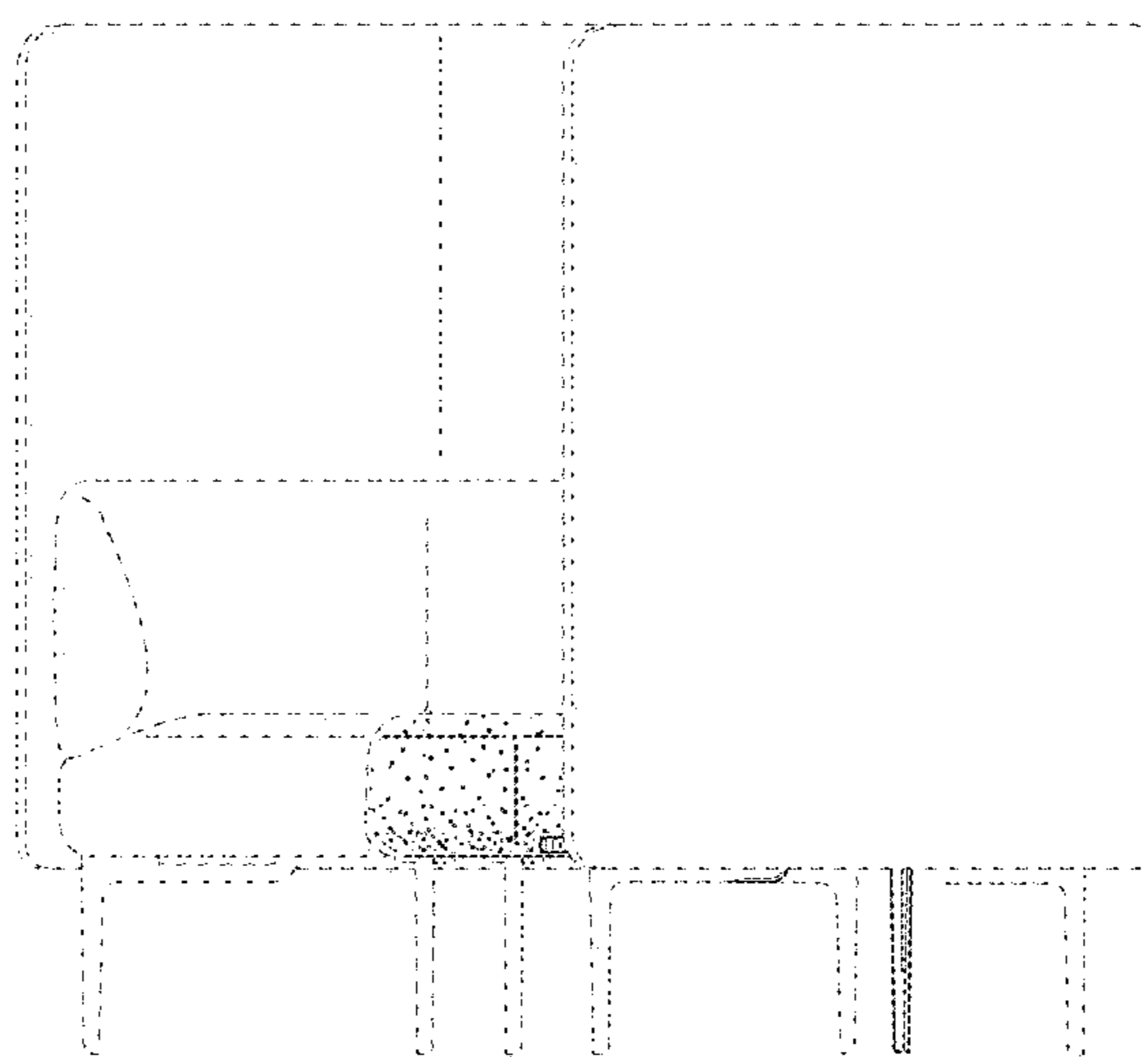


Fig. 3

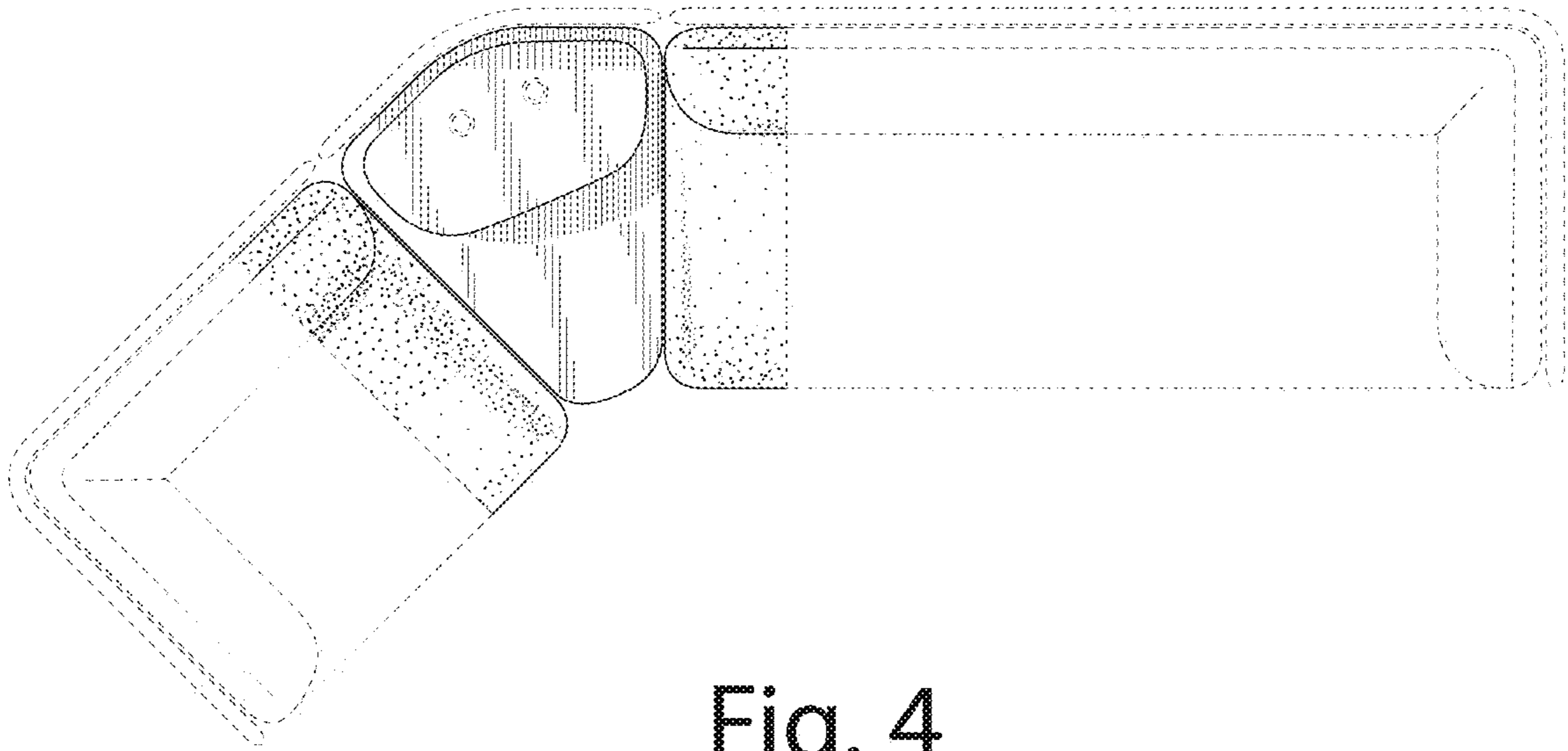


Fig. 4

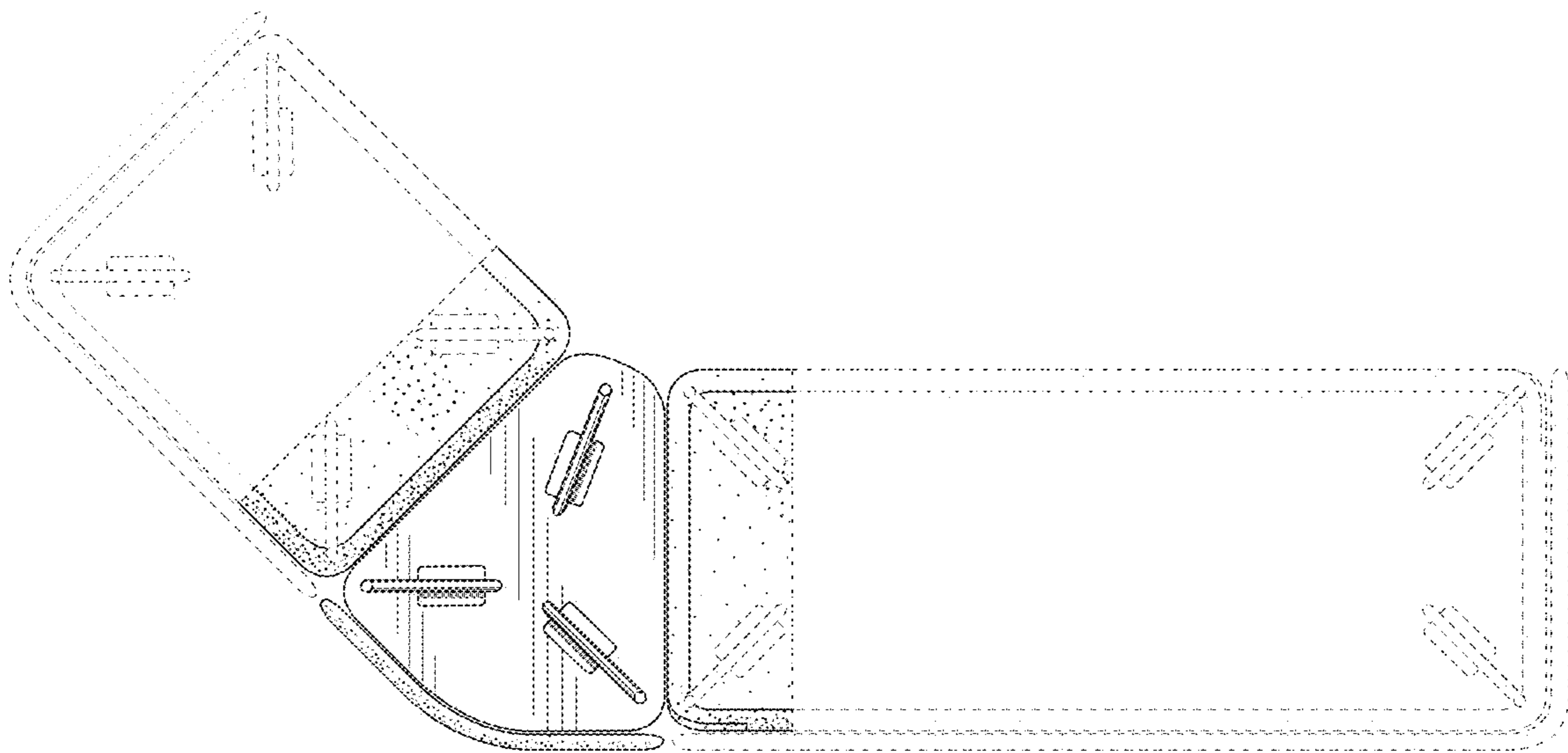


Fig. 5

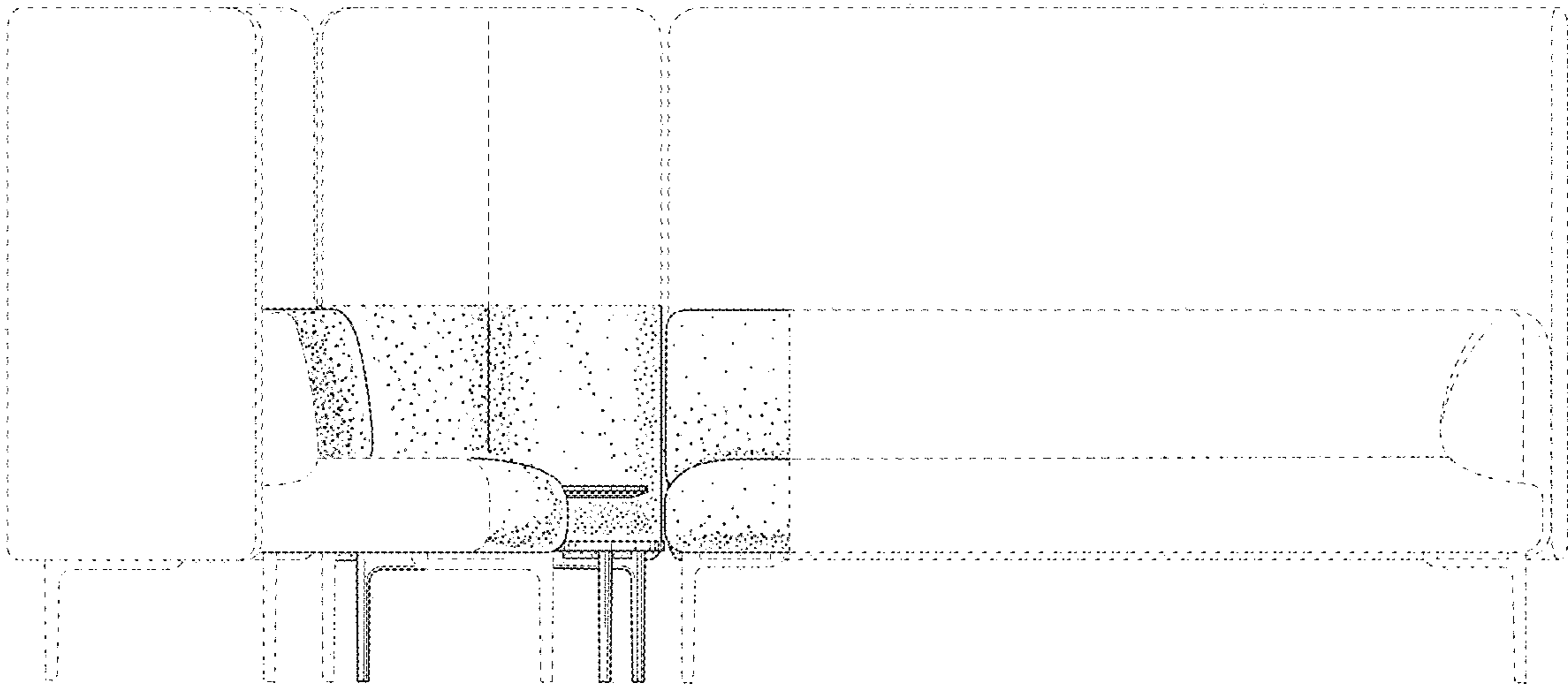


Fig. 6

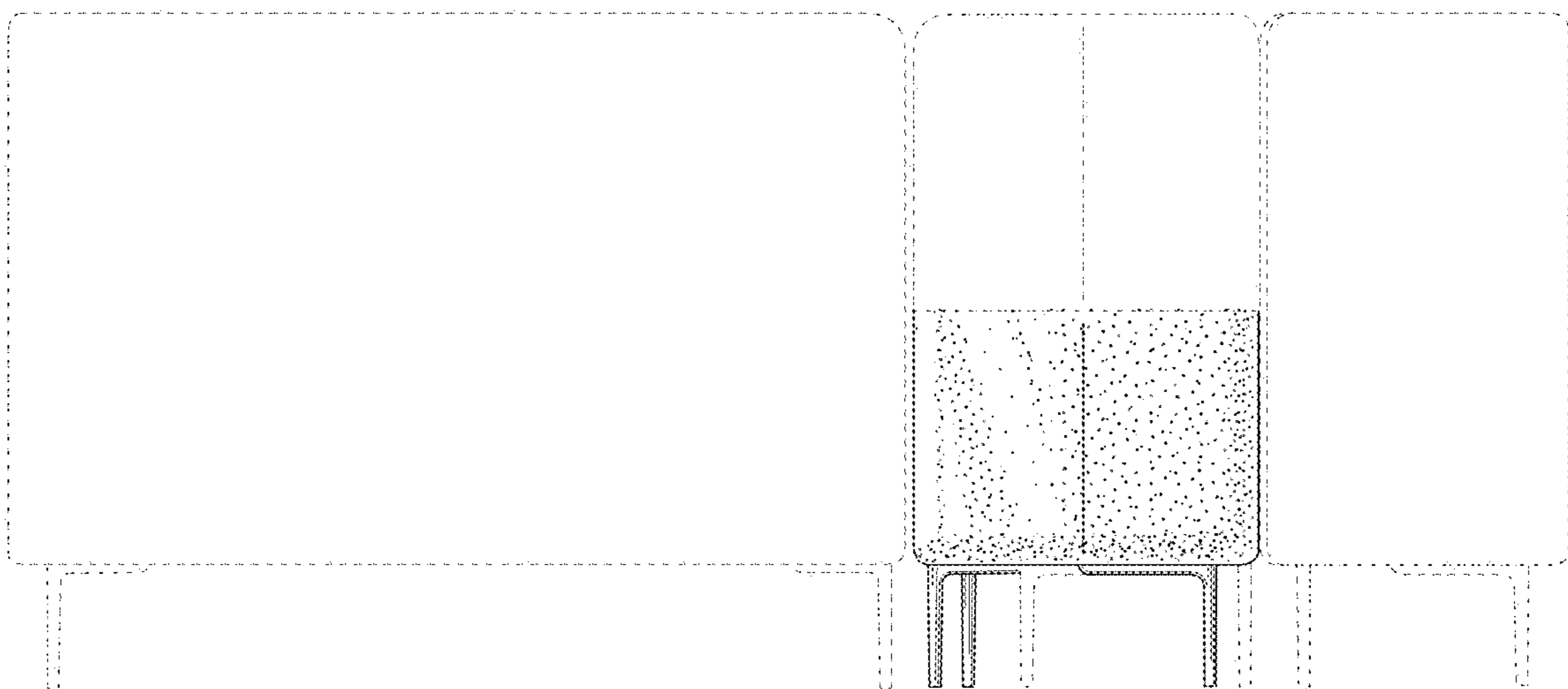


Fig. 7