



US00D883686S

(12) **United States Design Patent**
Urquiola

(10) **Patent No.:** **US D883,686 S**

(45) **Date of Patent:** **** May 12, 2020**

(54) **COMBINED SOFA, TABLE AND PRIVACY SCREEN**

(71) Applicant: **Haworth, Inc.**, Holland, MI (US)

(72) Inventor: **Patricia Urquiola**, Milan (IT)

(73) Assignee: **Haworth, Inc.**, Holland, MI (US)

(**) Term: **15 Years**

(21) Appl. No.: **29/667,850**

(22) Filed: **Oct. 25, 2018**

(51) **LOC (12) Cl.** **06-05**

(52) **U.S. Cl.**
USPC **D6/336**

(58) **Field of Classification Search**
USPC D6/334-338, 381, 713, 714, 717
CPC A47B 83/00; A47B 83/02; A47C 1/00;
A47C 3/12; A47C 7/18; A47C 7/66;
A47C 17/02; A47C 17/86
See application file for complete search history.

(56) **References Cited**

U.S. PATENT DOCUMENTS

- 3,963,272 A * 6/1976 Jones A47B 91/00
- D482,535 S * 11/2003 Williams D6/334
- D698,178 S * 1/2014 Nguyen D6/381
- D740,039 S * 10/2015 Bouroullec D6/335
- D758,777 S * 6/2016 McKenna D6/717
- D786,571 S * 5/2017 Webb D6/337
- D787,207 S * 5/2017 Webb D6/336
- D787,208 S * 5/2017 Webb D6/336
- D789,103 S * 6/2017 Webb D6/336
- D789,104 S * 6/2017 Webb D6/336
- D795,604 S * 8/2017 Webb D6/381
- D807,655 S * 1/2018 Webb D6/335
- 10,159,342 B2 * 12/2018 Gaschy A47B 83/001

- D850,129 S * 6/2019 Webb D6/338
- 2005/0140184 A1 * 6/2005 Williams A47B 83/00
- 2016/0245005 A1 * 8/2016 Tsuchiyama E04B 2/7409

* cited by examiner

Primary Examiner — Cathron C Brooks

(74) *Attorney, Agent, or Firm* — Warner Norcross + Judd LLP

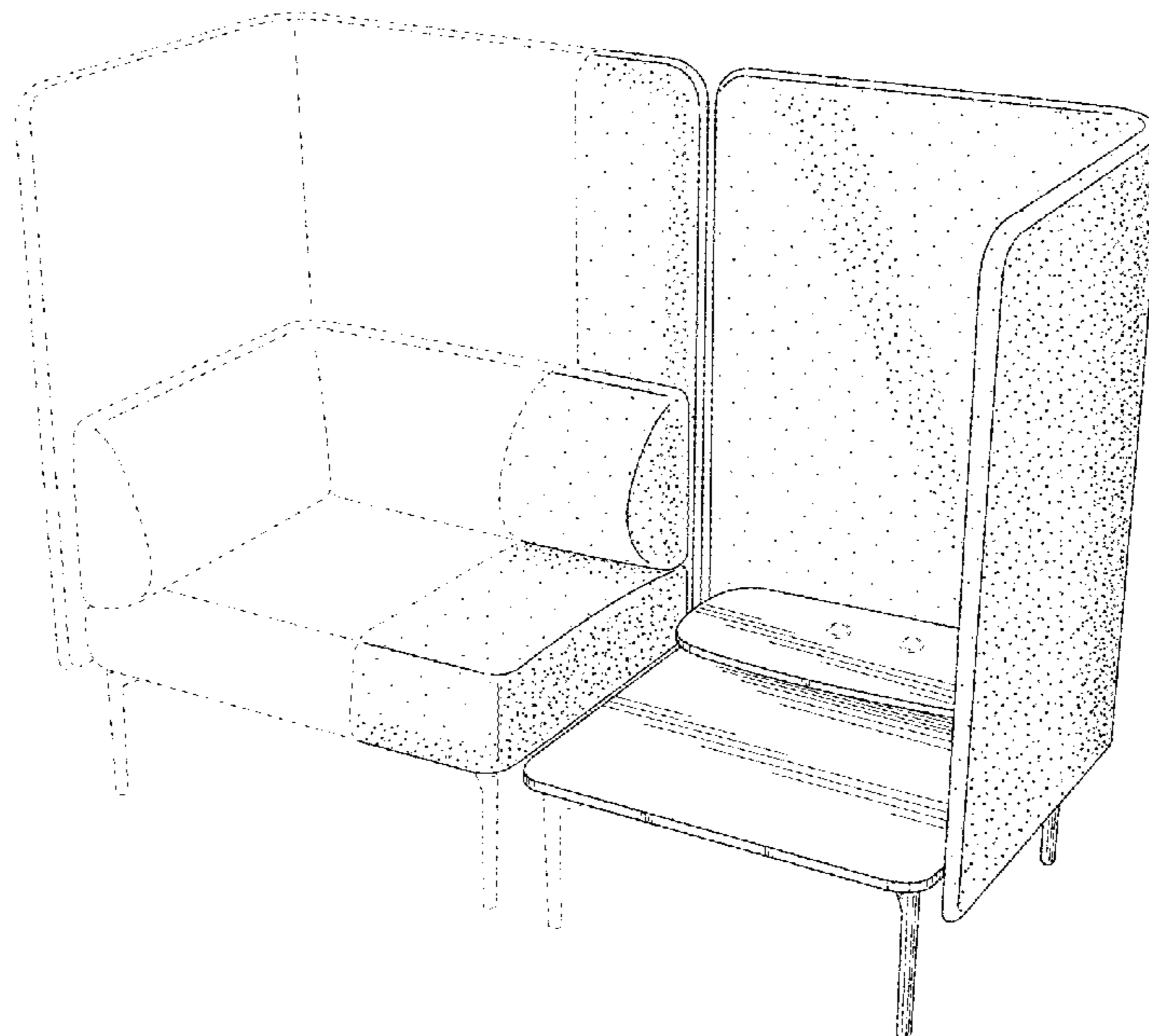
(57) **CLAIM**

The ornamental design for a combined sofa, table and privacy screen, as shown and described.

DESCRIPTION

FIG. 1 is a front perspective view of a first embodiment of the combined sofa, table and privacy screen embodying the new design;
 FIG. 2 is a side view thereof;
 FIG. 3 is a front view thereof;
 FIG. 4 is a rear view thereof;
 FIG. 5 is a top view thereof;
 FIG. 6 is a bottom view thereof;
 FIG. 7 is front perspective view of a second embodiment of the combined sofa, table and privacy screen embodying the new design;
 FIG. 8 is a side view thereof;
 FIG. 9 is a front view thereof;
 FIG. 10 is a rear view thereof;
 FIG. 11 is top view thereof; and,
 FIG. 12 is a bottom view thereof.
 FIGS. 1-12 show portions of the combined sofa, table and privacy screen in broken lines. The portions of the combined sofa, table and privacy screen shown in broken lines form no part of the claimed design. Stipple shading is added to convey surface contouring; the stipple shading is not to be understood as conveying a particular surface finish.

1 Claim, 6 Drawing Sheets



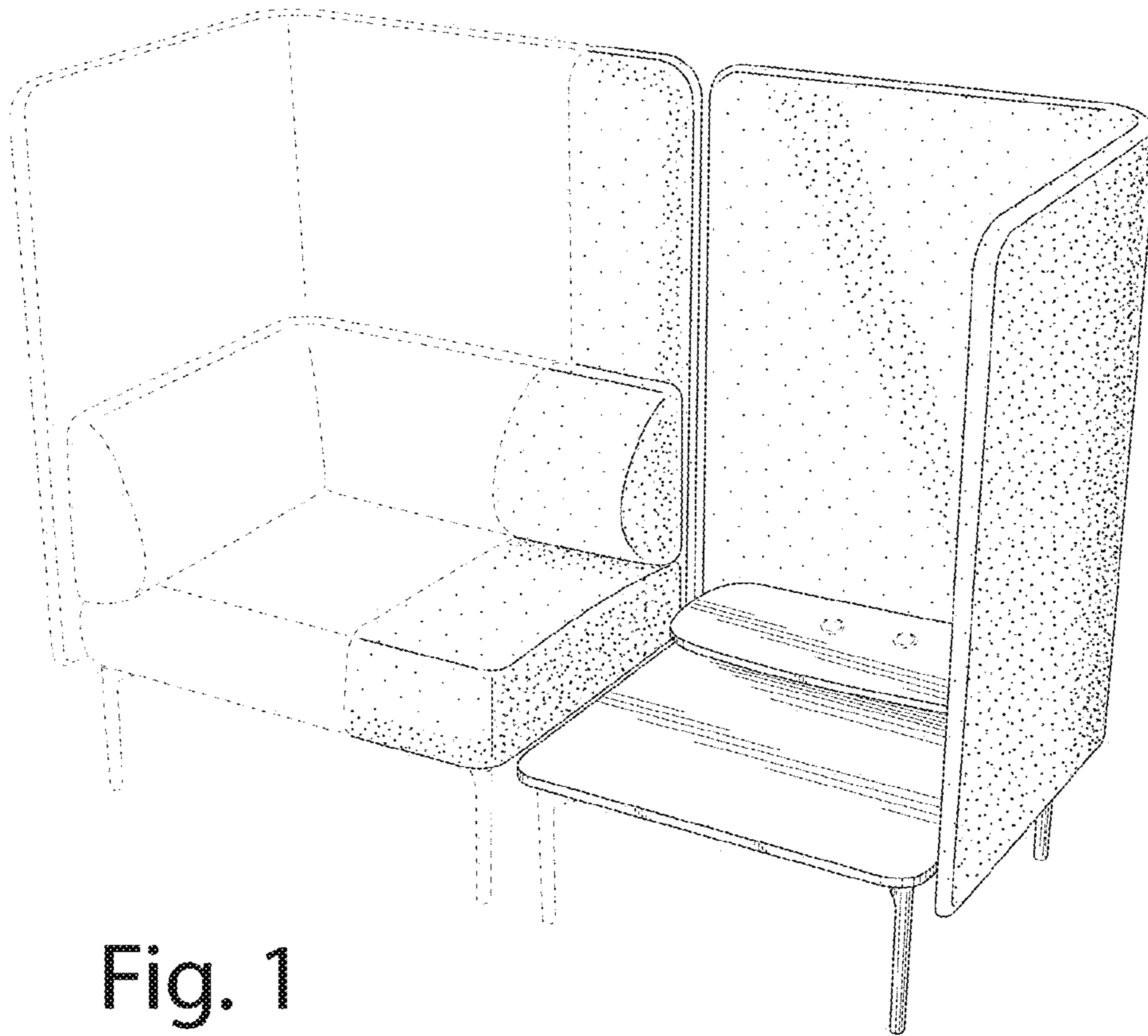


Fig. 1

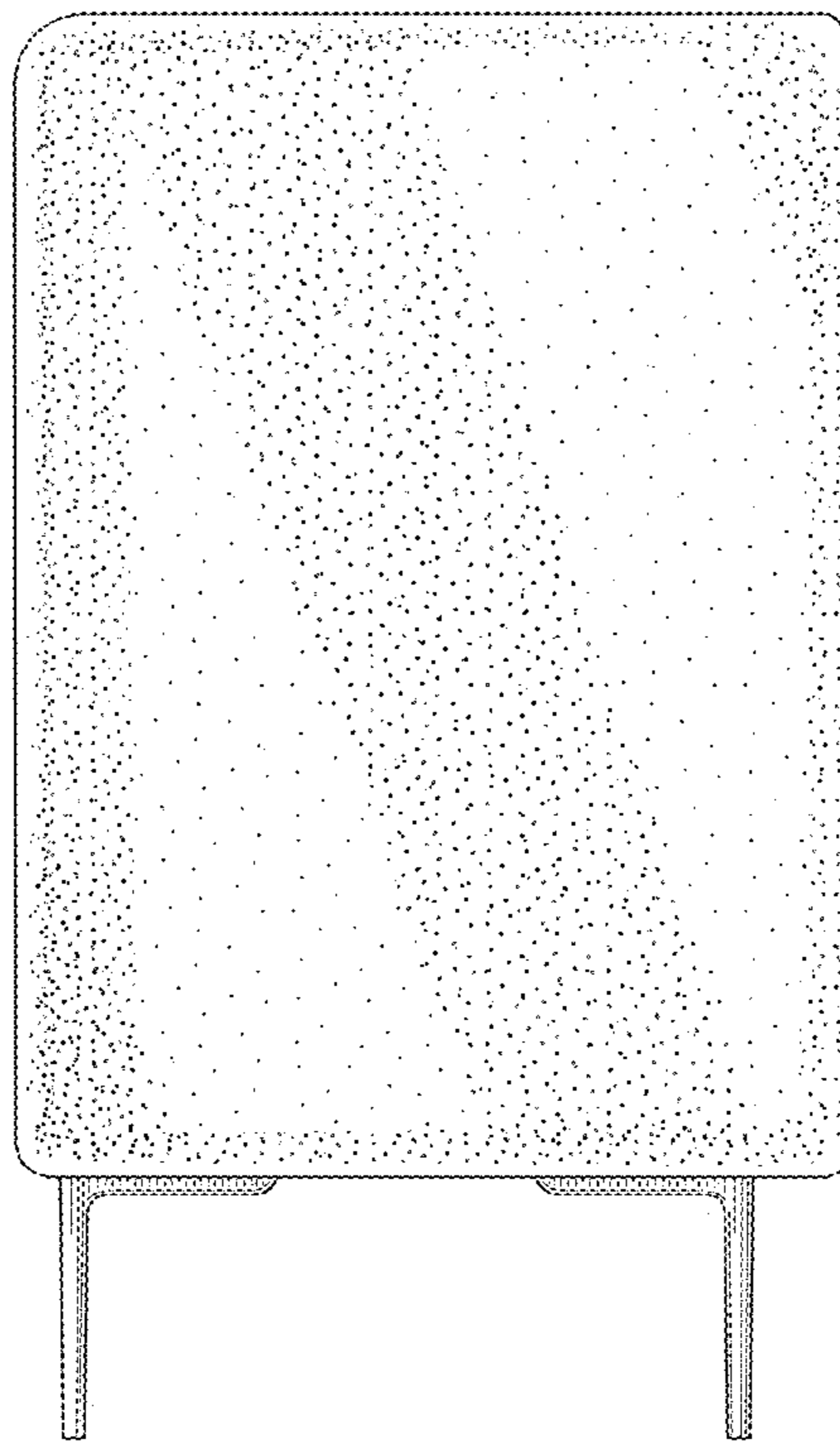


Fig. 2

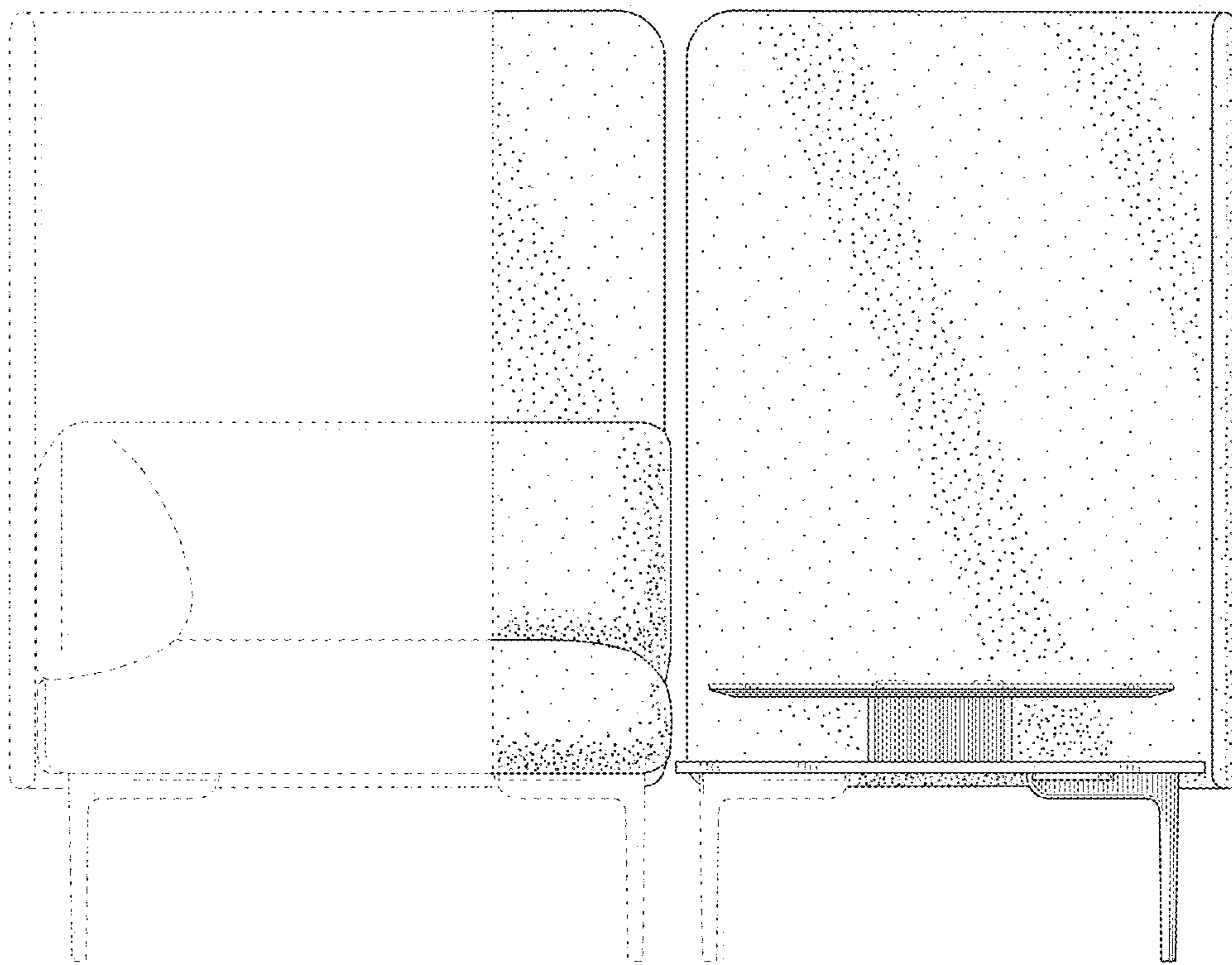


Fig. 3

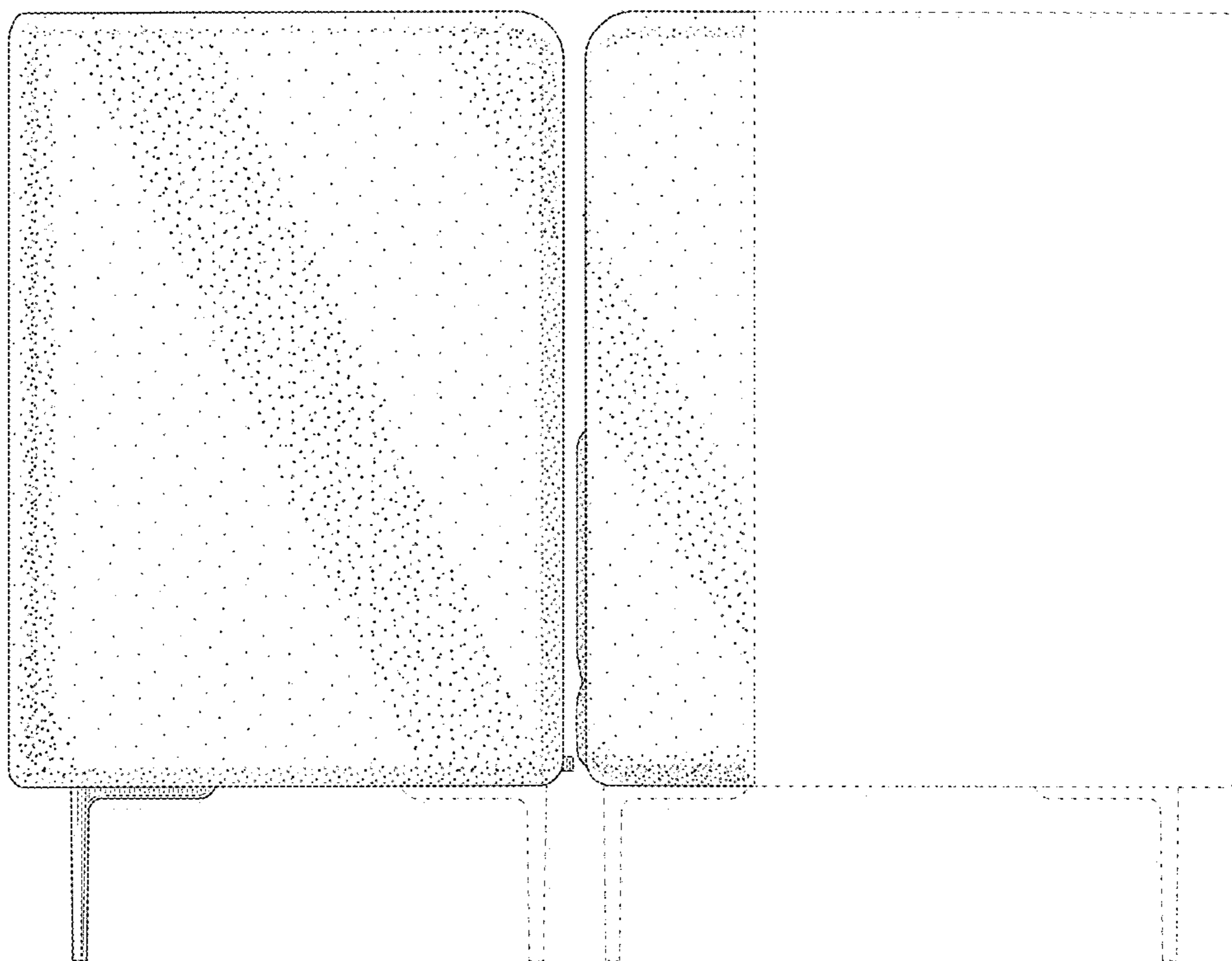


Fig. 4

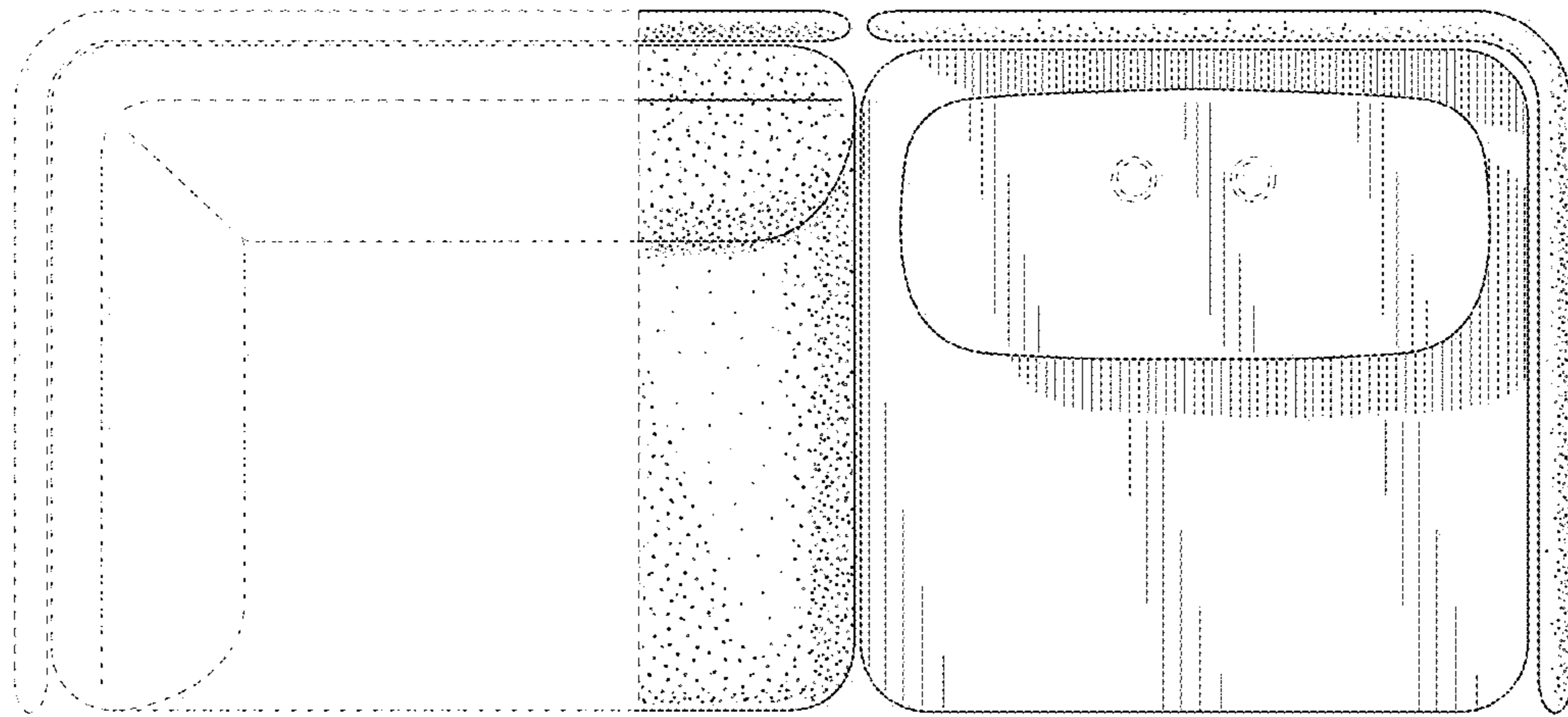


Fig. 5

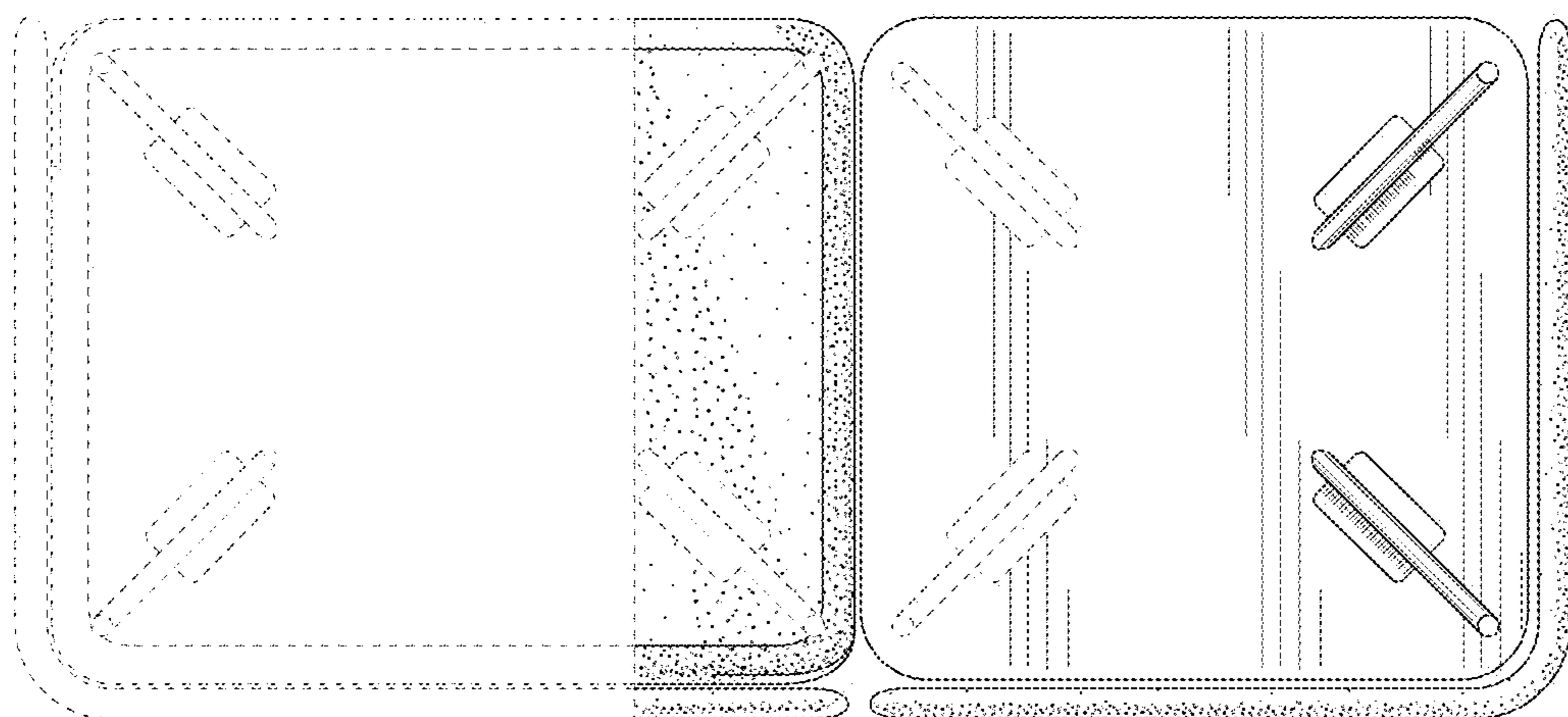


Fig. 6

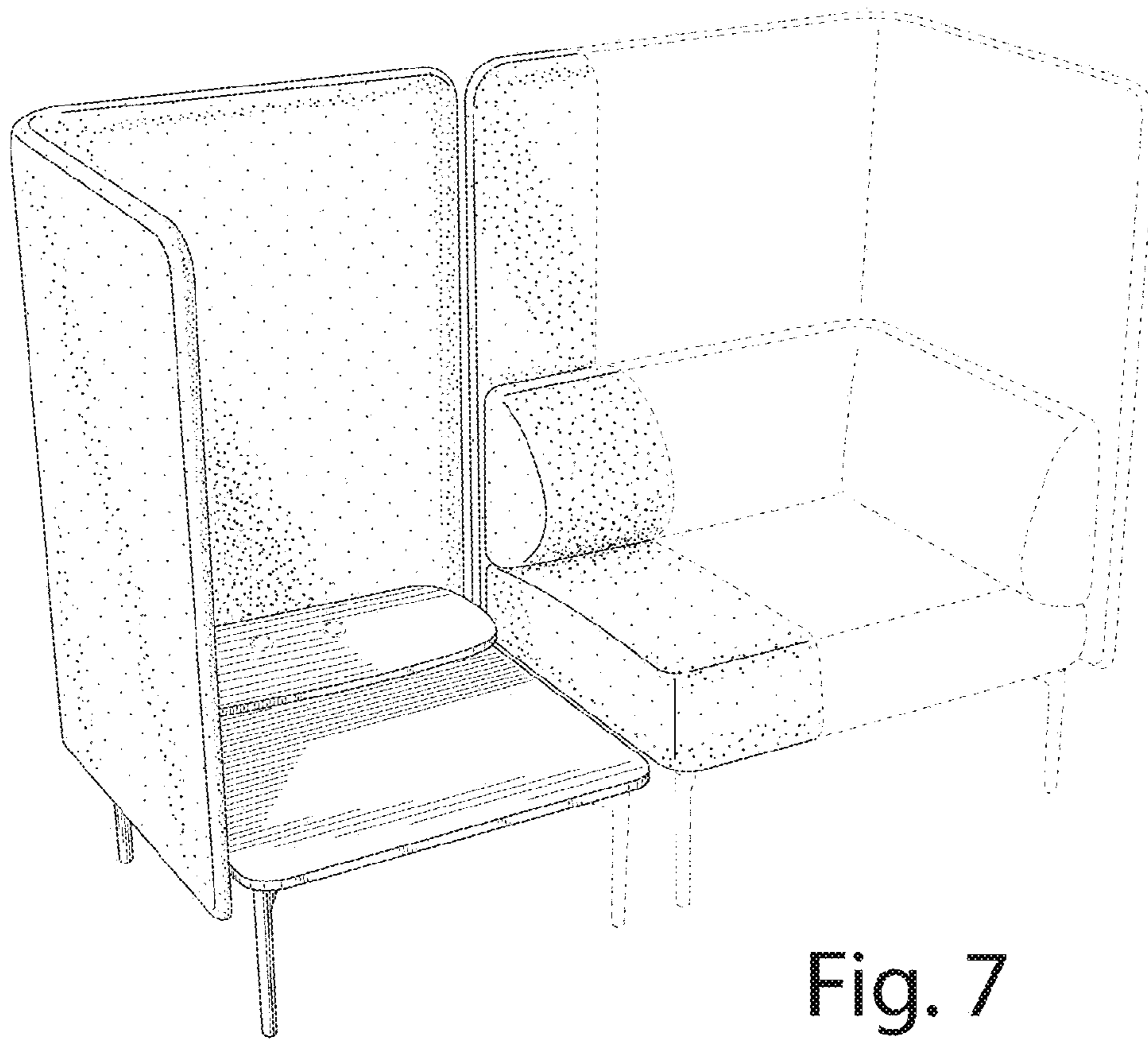


Fig. 7

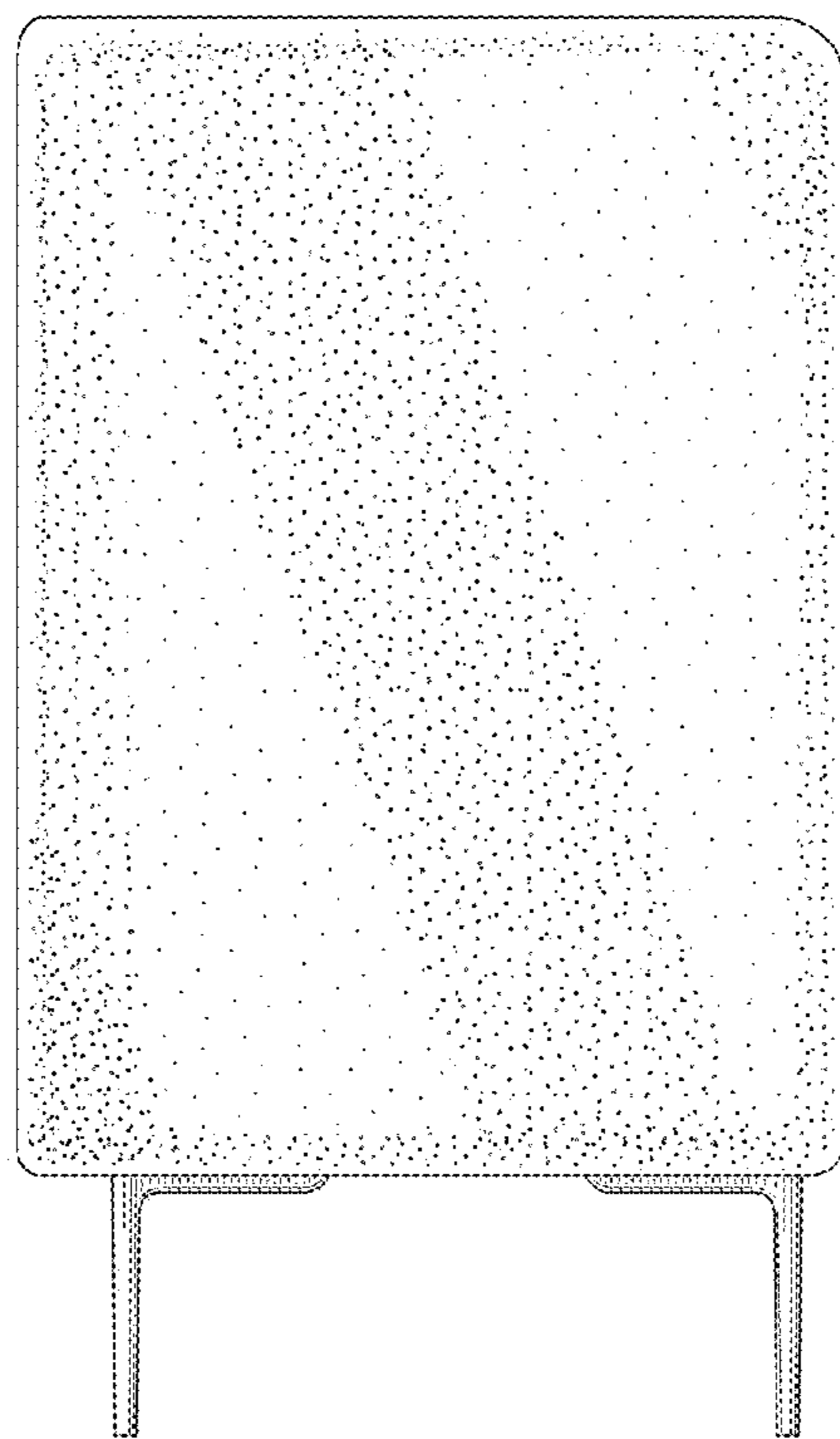


Fig. 8

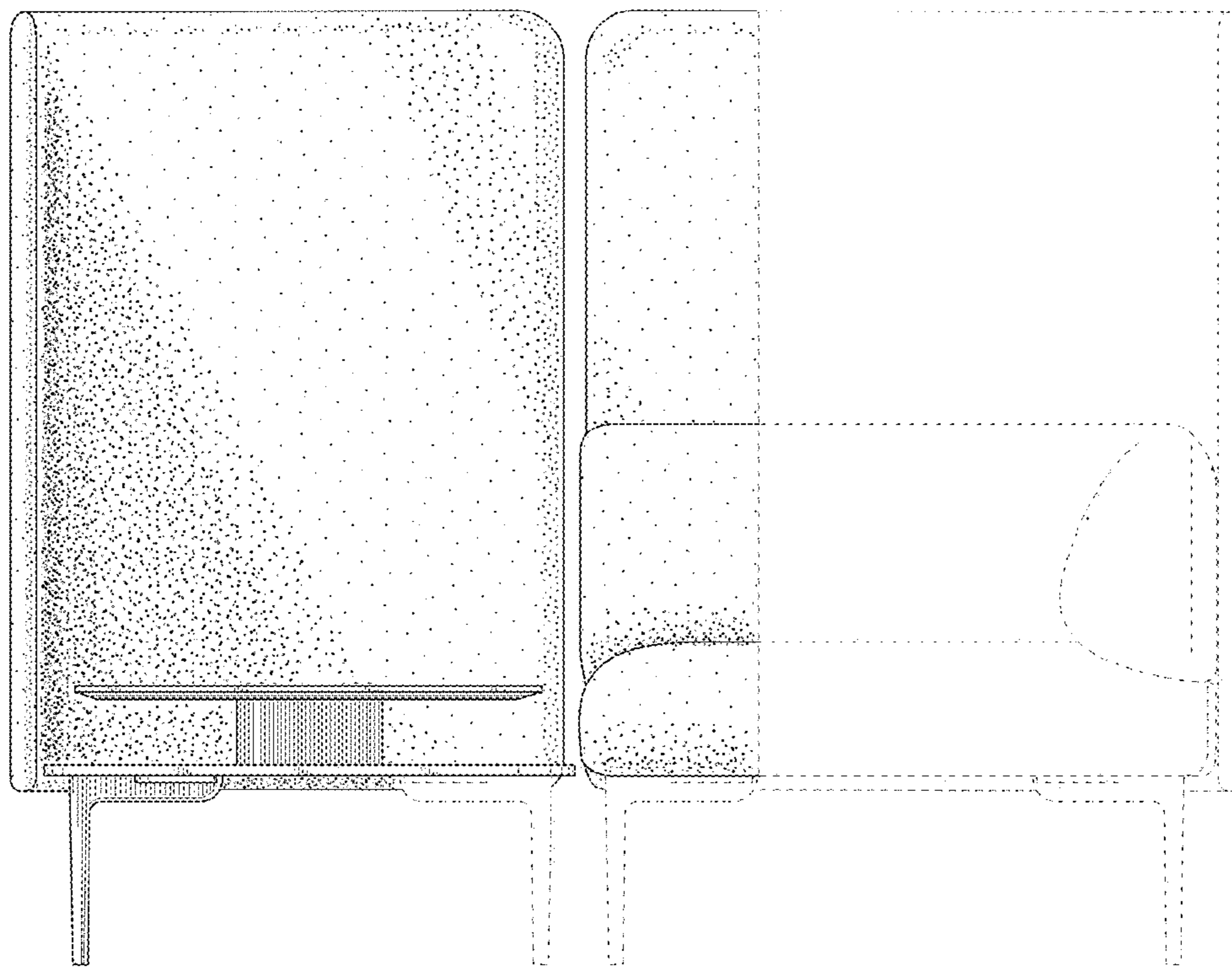


Fig. 9

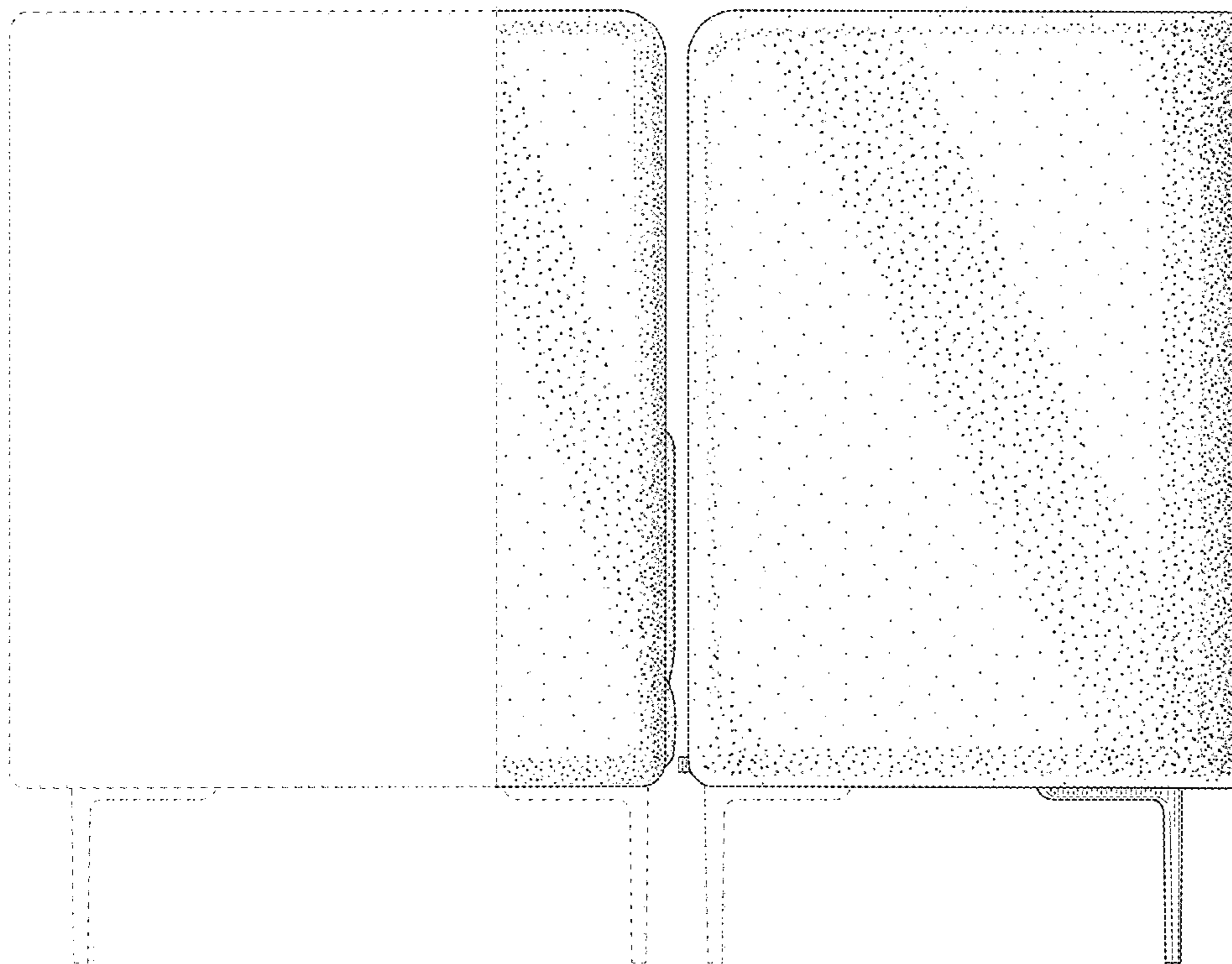


Fig. 10

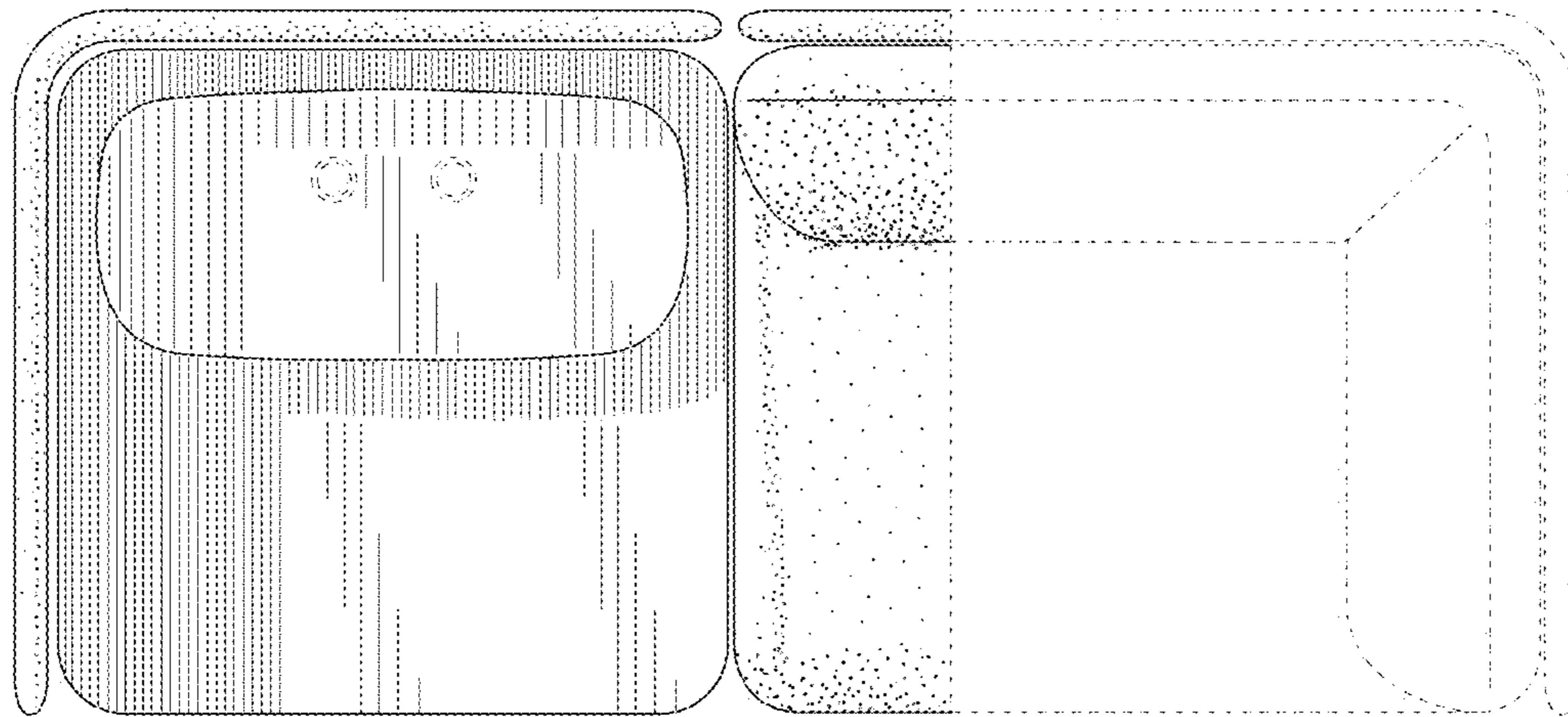


Fig. 11

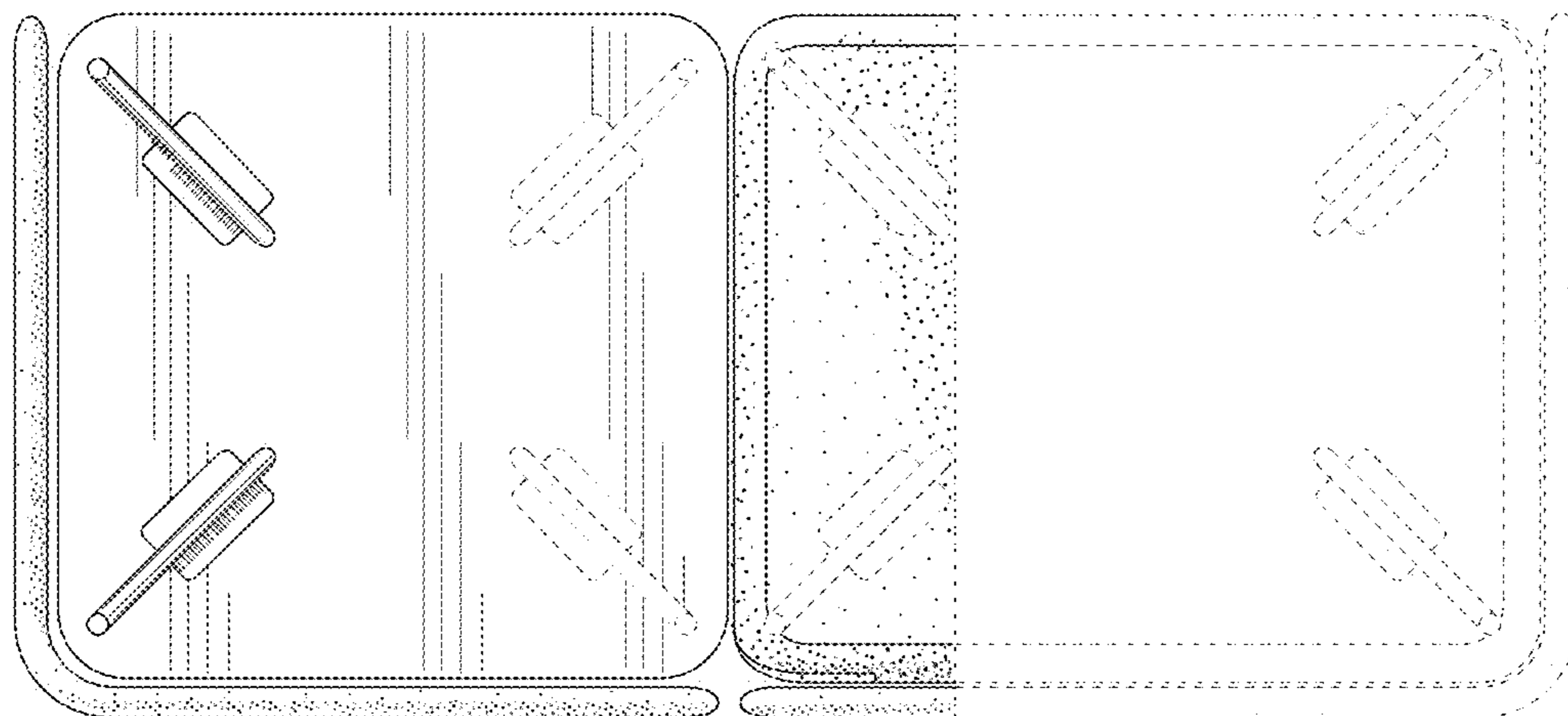


Fig. 12