



US00D883681S

(12) **United States Design Patent**  
**Huang**

(10) **Patent No.:** **US D883,681 S**

(45) **Date of Patent:** **\*\* May 12, 2020**

(54) **PRAYER STOOL**

(71) Applicant: **William Huang**, Nanchang (CN)

(72) Inventor: **William Huang**, Nanchang (CN)

(\*\*) Term: **15 Years**

(21) Appl. No.: **29/718,406**

(22) Filed: **Dec. 24, 2019**

(51) **LOC (12) Cl.** ..... **06-06**

(52) **U.S. Cl.**

USPC ..... **D6/330**

(58) **Field of Classification Search**

USPC ..... D6/381, 335-337, 349-355, 330, 367,  
D6/369-370, 364; 5/12.1;  
297/16.1-16.2, 451.9, 452.11, 452.63,  
297/423.1, 423.16, 461, 423.11, 445.1,  
297/462, 46, 135, 140, 158.3; D99/25,  
D99/99

CPC .... A47C 4/00; A47C 4/02; A47C 9/00; A47C  
9/02; A47C 9/002; A47C 9/007; A47C  
9/025; A47C 13/00; A47G 33/00; A47G  
33/008; A47G 33/02

See application file for complete search history.

(56) **References Cited**

**U.S. PATENT DOCUMENTS**

D127,023 S \* 5/1941 Kreckeer ..... D6/700  
D177,736 S \* 5/1956 Kennel ..... D6/330

D193,303 S \* 7/1962 Goodson ..... D6/330  
D199,190 S \* 9/1964 Berg ..... D6/330  
5,882,095 A \* 3/1999 Green ..... A47B 19/02  
312/235.3  
D528,820 S \* 9/2006 Whitley, Jr. .... D6/381  
D545,082 S \* 6/2007 Shaw ..... D6/678.1  
D612,160 S \* 3/2010 Carino ..... D6/330  
D798,609 S 10/2017 Henschel

\* cited by examiner

*Primary Examiner* — Abraham Bahta

(74) *Attorney, Agent, or Firm* — KA Filing LLC; Wayne  
V. Harper

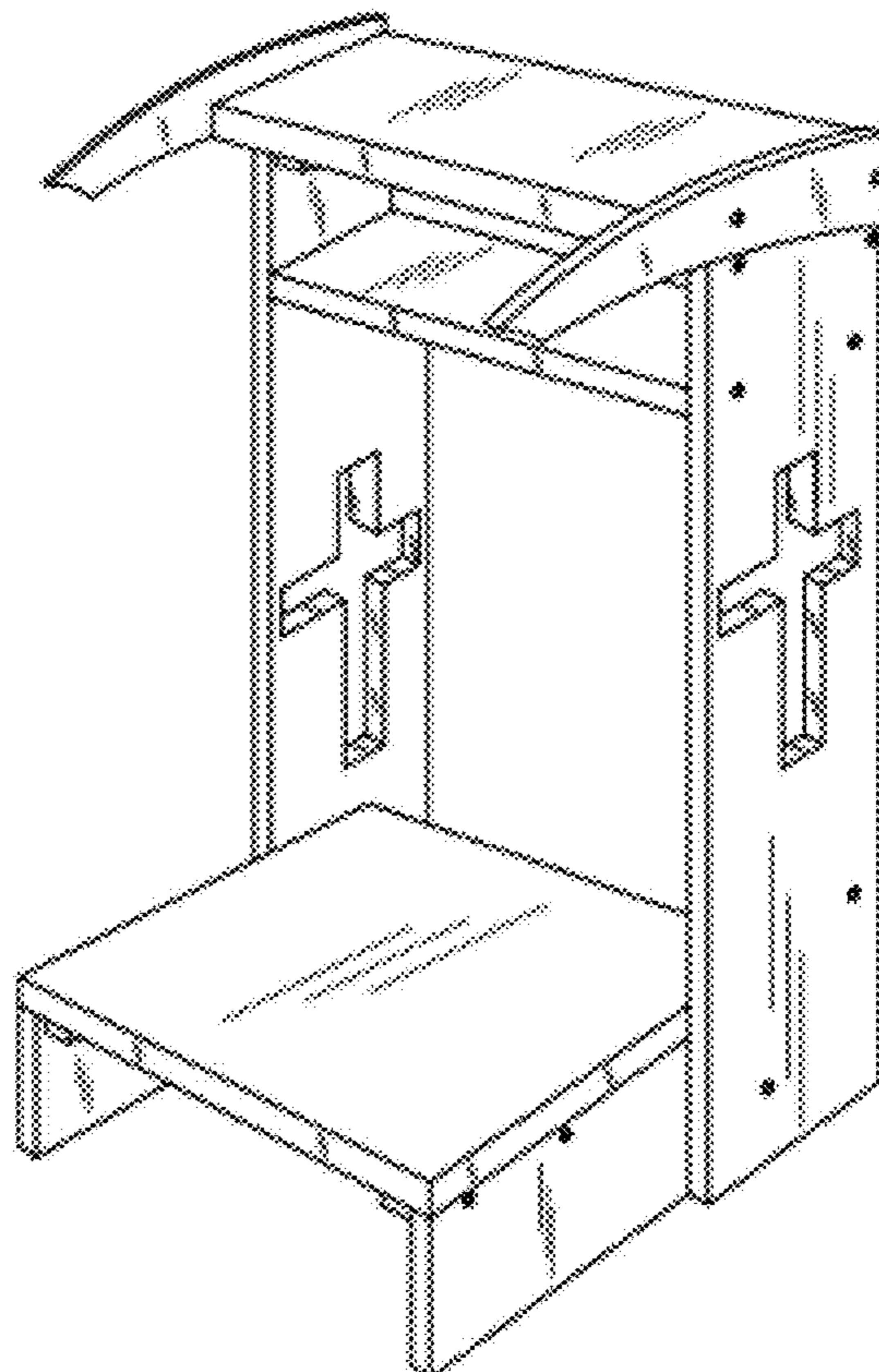
(57) **CLAIM**

I claim the ornamental design for a prayer stool, as shown  
and described.

**DESCRIPTION**

FIG. 1 is a Perspective view of a prayer stool showing my  
new design;  
FIG. 2 is a Front view thereof;  
FIG. 3 is a Back view thereof;  
FIG. 4 is a Right-side view thereof;  
FIG. 5 is a Left-side view thereof;  
FIG. 6 is a Top view thereof; and,  
FIG. 7 is a Bottom view thereof.

**1 Claim, 7 Drawing Sheets**



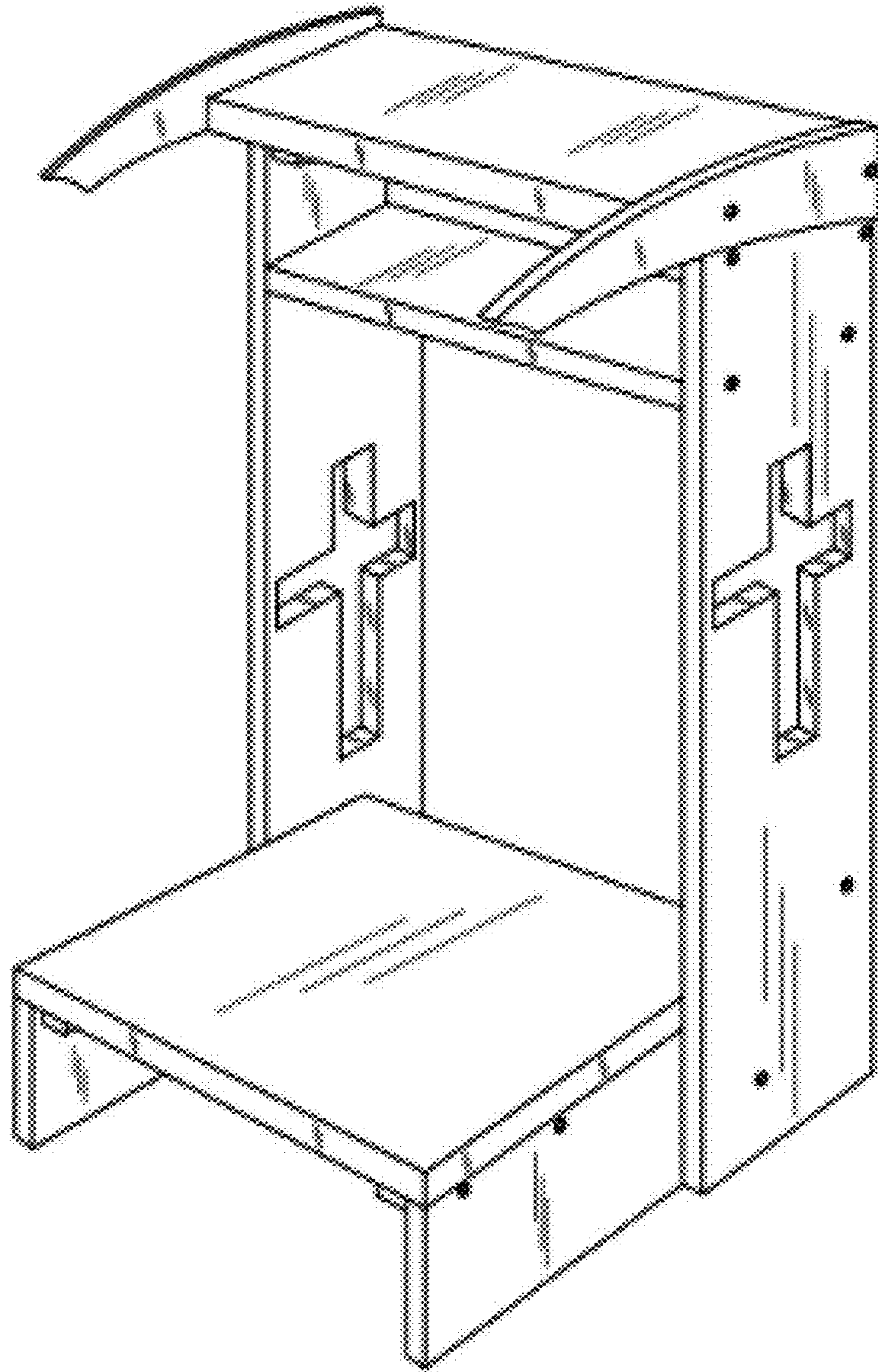


FIG. 1

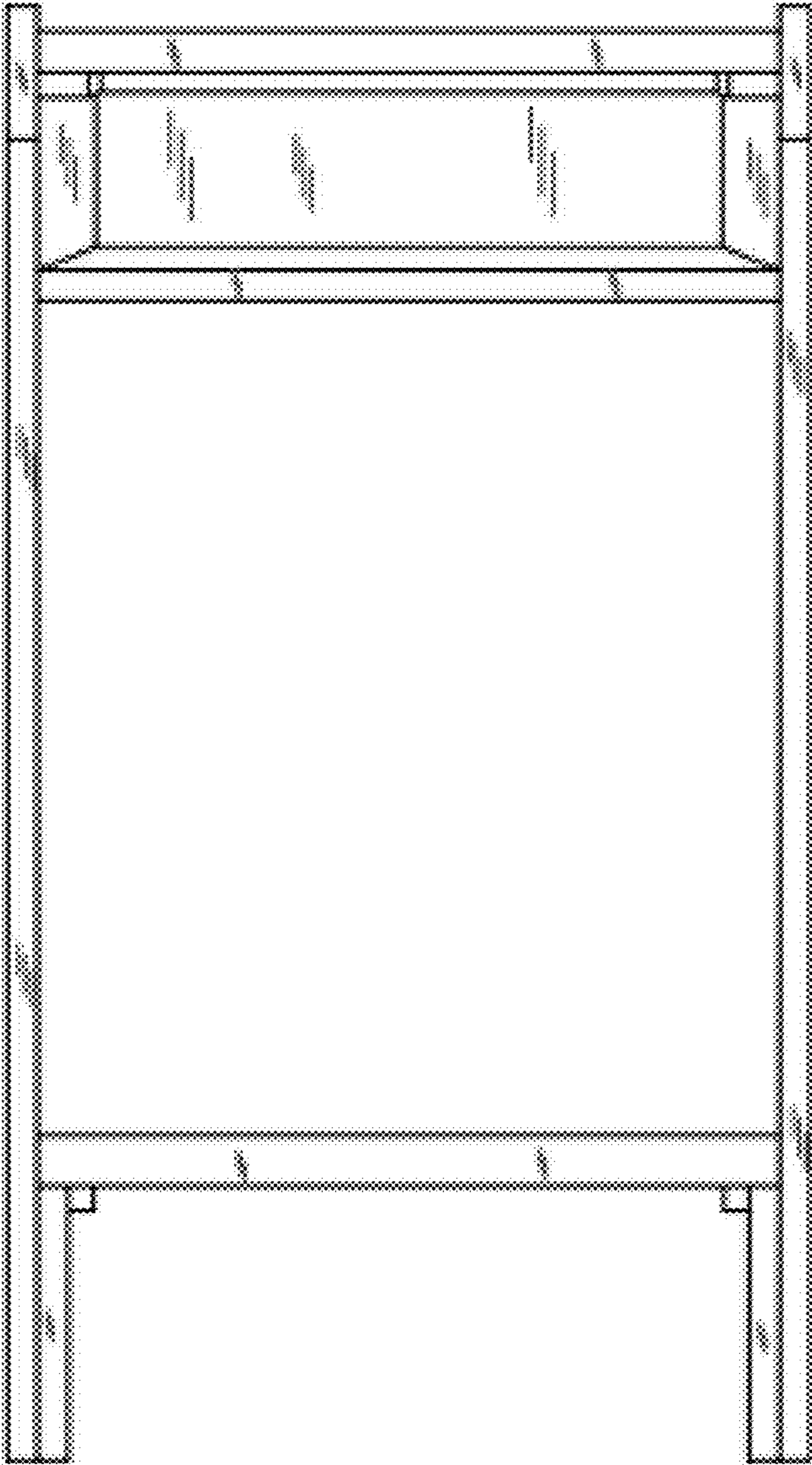


FIG. 2

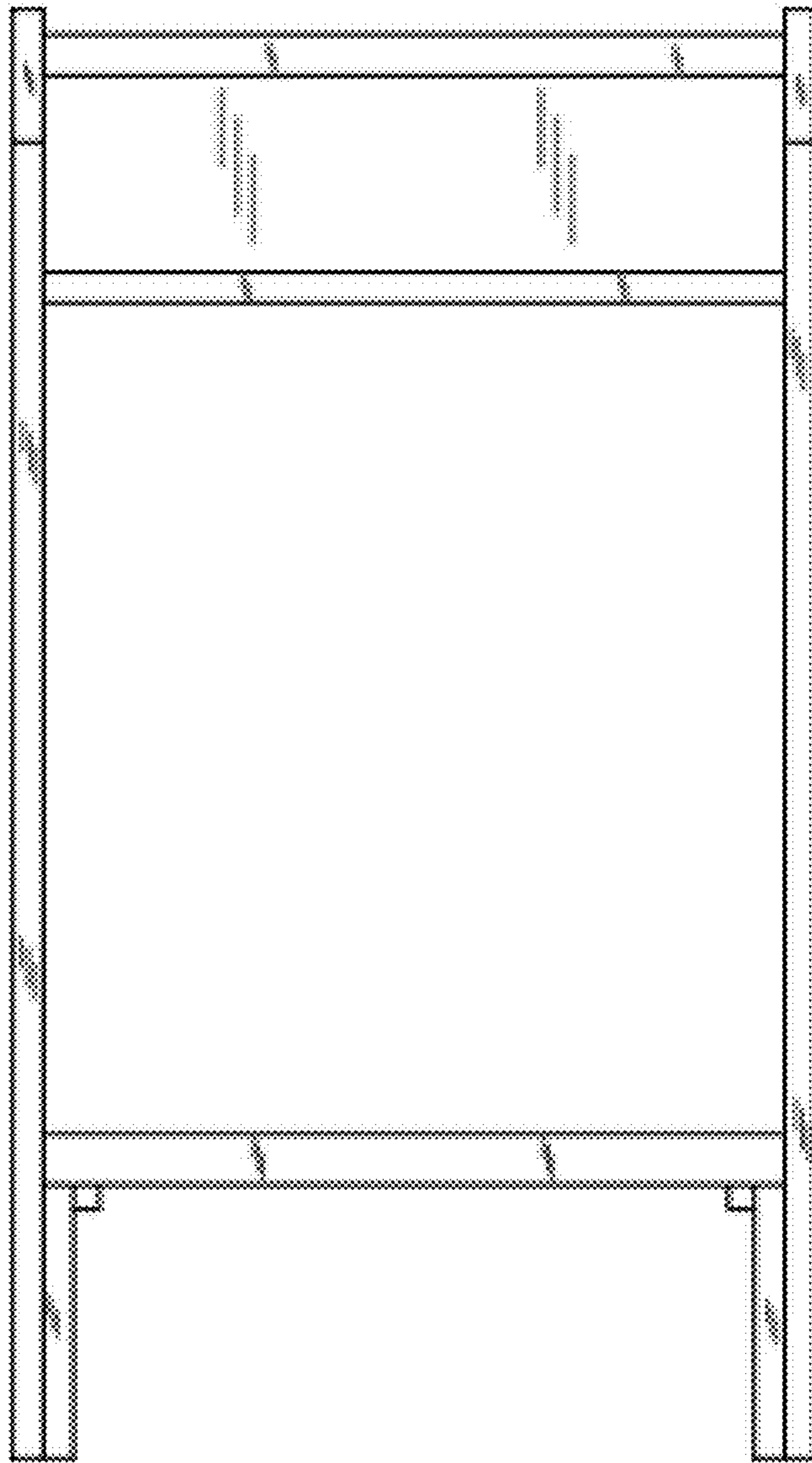


FIG. 3

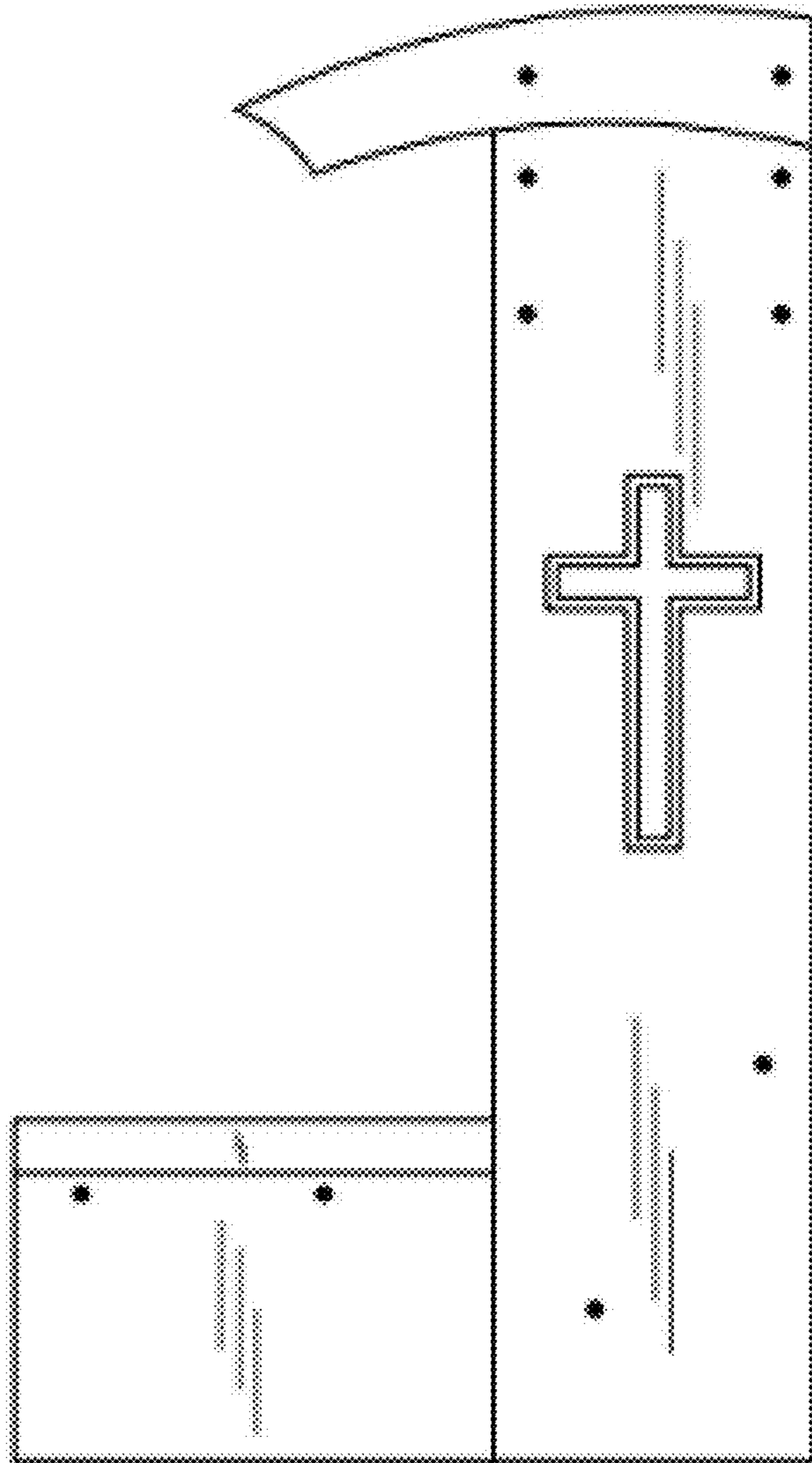


FIG. 4

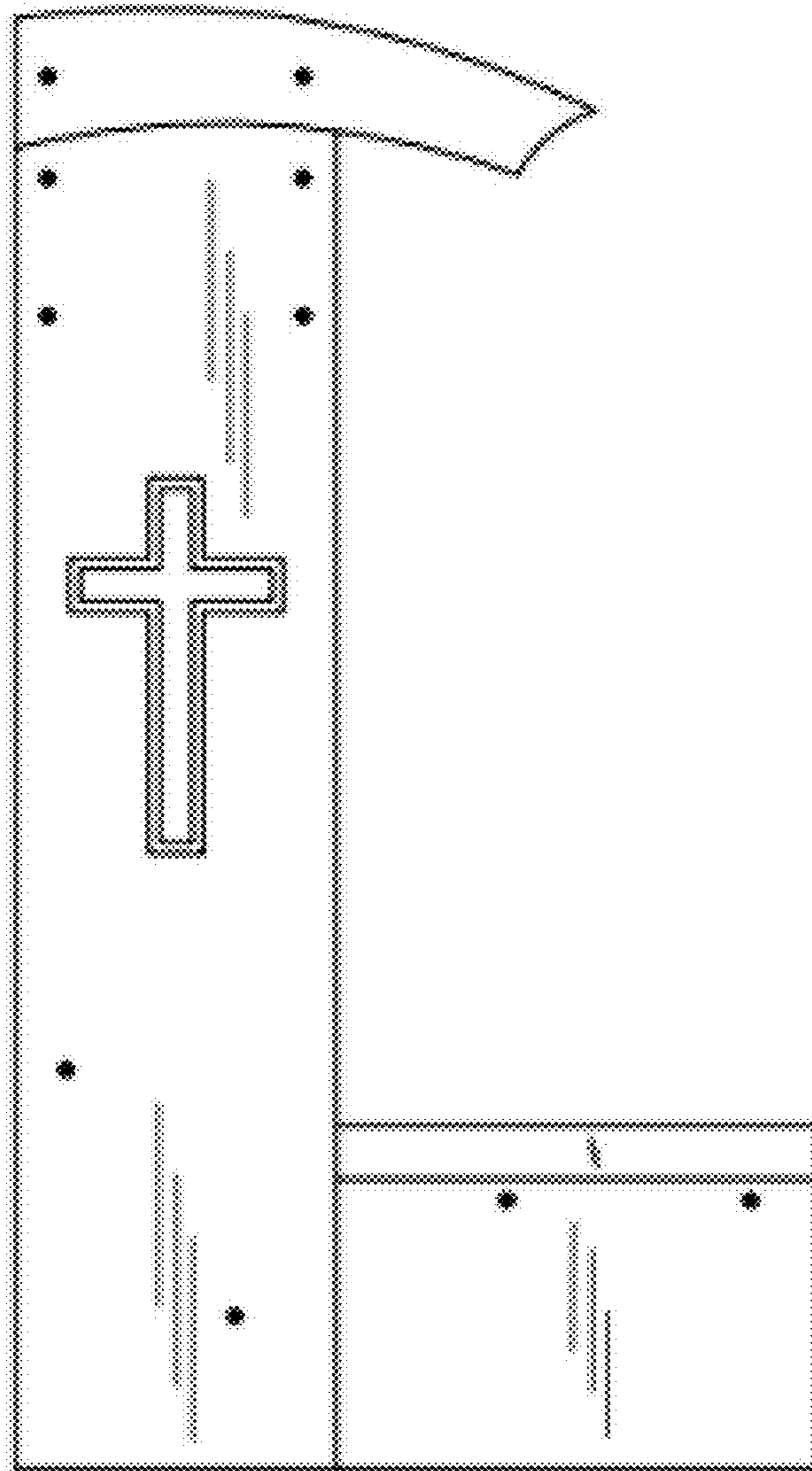


FIG. 5

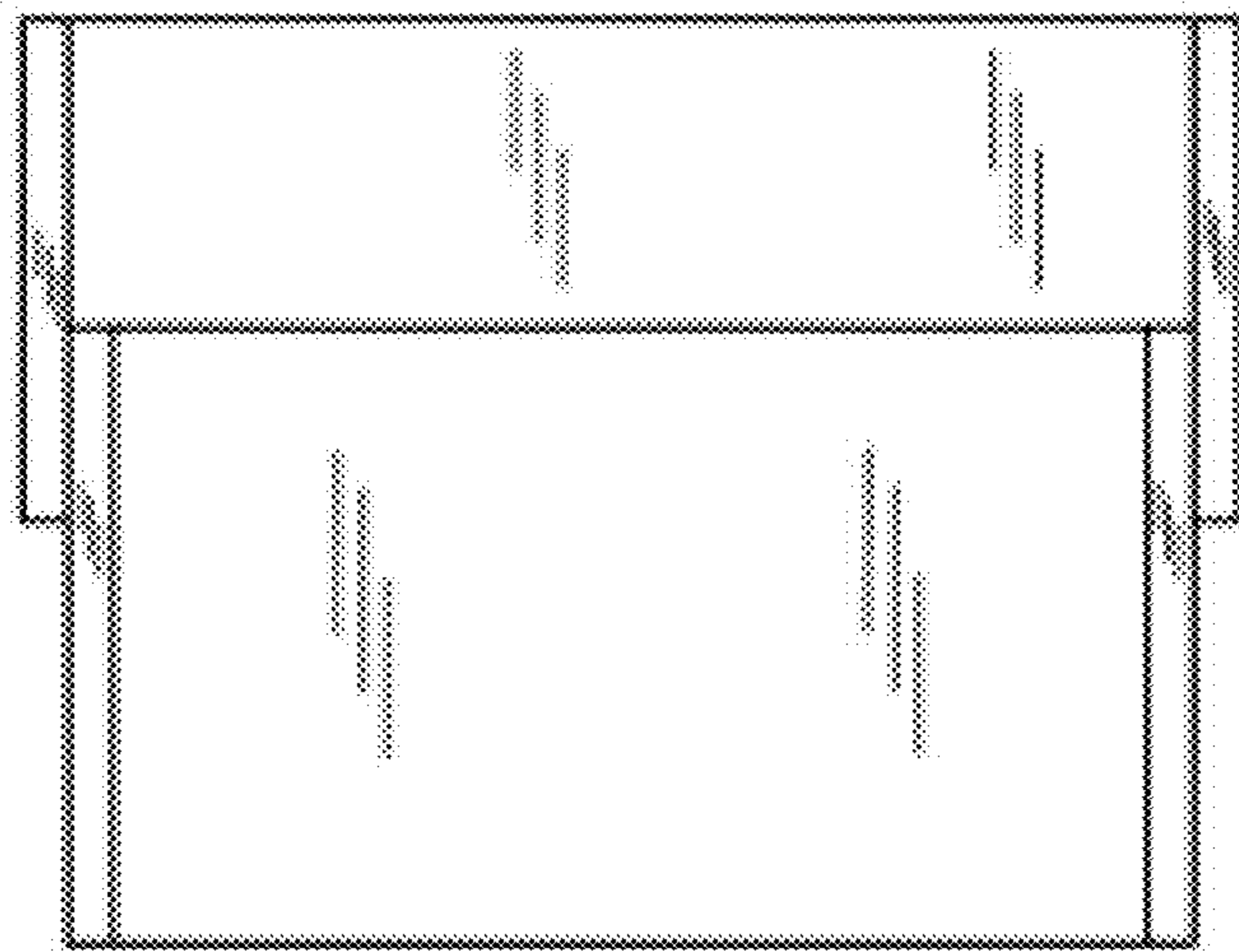


FIG. 6

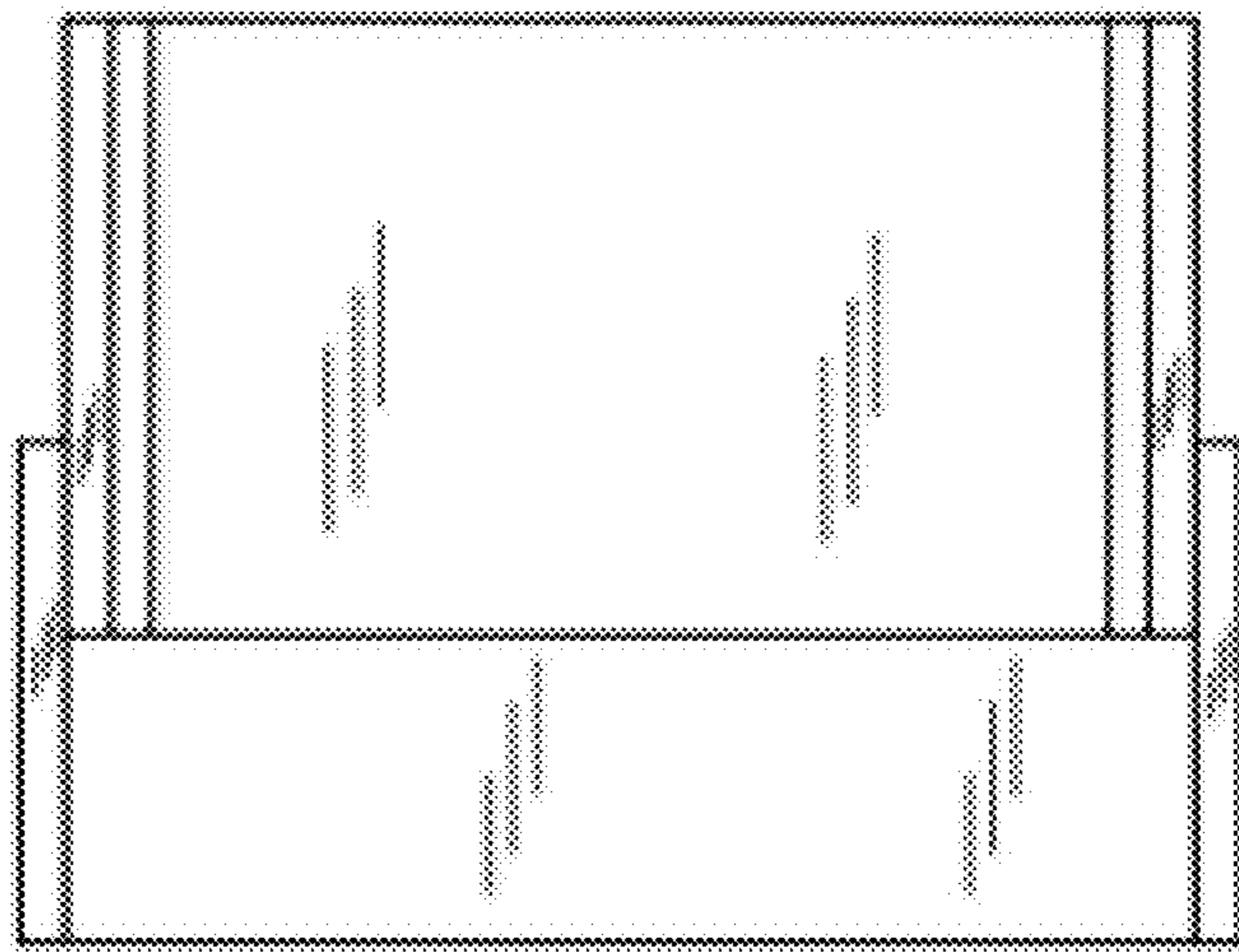


FIG. 7