



US00D883678S

(12) **United States Design Patent** (10) **Patent No.:** **US D883,678 S**  
**Xin** (45) **Date of Patent:** **\*\* May 12, 2020**

(54) **U-SHAPED TOOTHBRUSH WITH CASE**  
(71) Applicant: **Shanghai Yishu Trading Co., Ltd.**,  
Shanghai (CN)  
(72) Inventor: **Shengli Xin**, Zhejiang (CN)  
(\*\*) Term: **15 Years**  
(21) Appl. No.: **29/717,522**  
(22) Filed: **Dec. 18, 2019**  
(51) **LOC (12) Cl.** ..... **04-02**  
(52) **U.S. Cl.**  
USPC ..... **D4/108**; D4/101; D24/152  
(58) **Field of Classification Search**  
USPC ..... D4/100, 101, 102, 104, 108, 110, 111,  
D4/127, 129; D24/107, 146, 152, 158,  
D24/176, 193, 194  
CPC ..... A61C 15/00; A61C 15/047; A61C 15/048;  
A61C 17/16; A61C 17/18; A61C 17/32;  
A61C 17/34; A61C 3/06; A46B 5/0008;  
A46B 5/0095; A46B 2200/10; A46B  
2200/108; A46B 2200/1026; A46B  
2200/1066; A46B 2200/1073; A46B 9/04;  
A61B 1/24  
See application file for complete search history.

(56) **References Cited**  
U.S. PATENT DOCUMENTS  
8,635,731 B2 \* 1/2014 Garner ..... A61C 17/228  
15/22.1  
D781,427 S \* 3/2017 Blank ..... D24/176

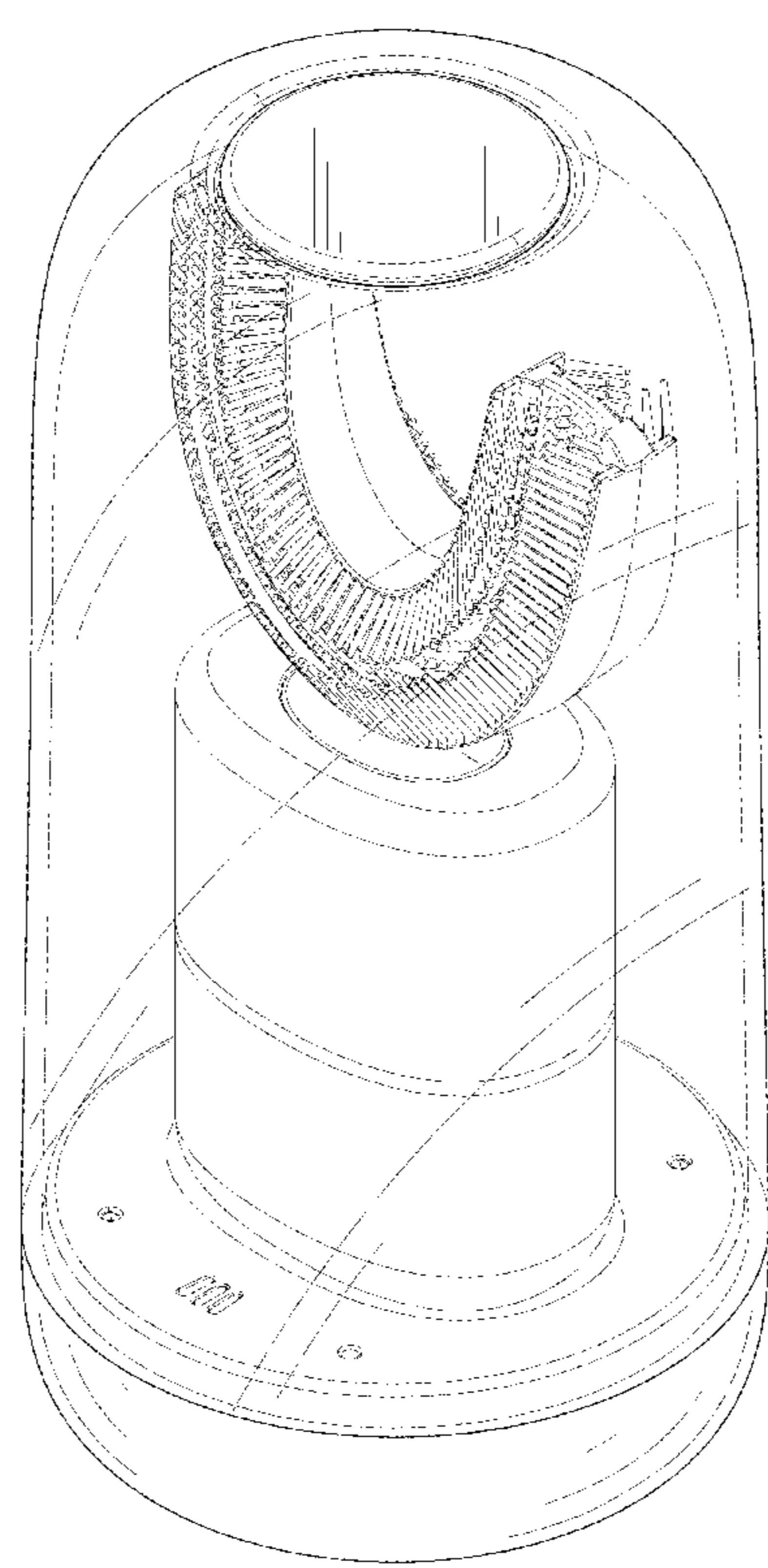
D795,431 S \* 8/2017 Way ..... D24/152  
D797,941 S \* 9/2017 Way ..... D24/176  
D858,106 S 9/2019 Sohn  
2004/0128777 A1 \* 7/2004 Koh ..... A46B 9/045  
15/22.1  
2009/0276972 A1 \* 11/2009 Dugan ..... A46B 7/00  
15/167.2  
2019/0216583 A1 \* 7/2019 Zhuo ..... A46B 9/045  
2020/0046111 A1 \* 2/2020 Pai ..... A61C 17/222

\* cited by examiner  
*Primary Examiner* — Wan Laymon  
*Assistant Examiner* — Clint A Samuel  
(74) *Attorney, Agent, or Firm* — ZANIP

(57) **CLAIM**  
The ornamental design for a U-shaped toothbrush with case,  
as shown and described.

**DESCRIPTION**  
FIG. 1 is a front and top perspective view of a U-shaped  
toothbrush with case, showing my new design;  
FIG. 2 is a rear and bottom perspective view thereof;  
FIG. 3 is a front elevational view thereof;  
FIG. 4 is a rear elevational view thereof;  
FIG. 5 is a left side elevational view thereof;  
FIG. 6 is a right side elevational view thereof;  
FIG. 7 is a top plan view thereof; and,  
FIG. 8 is a bottom plan view thereof.  
The broken lines in the figures illustrate portions of the  
U-shaped toothbrush with case that form no part of the  
claimed design.

**1 Claim, 8 Drawing Sheets**



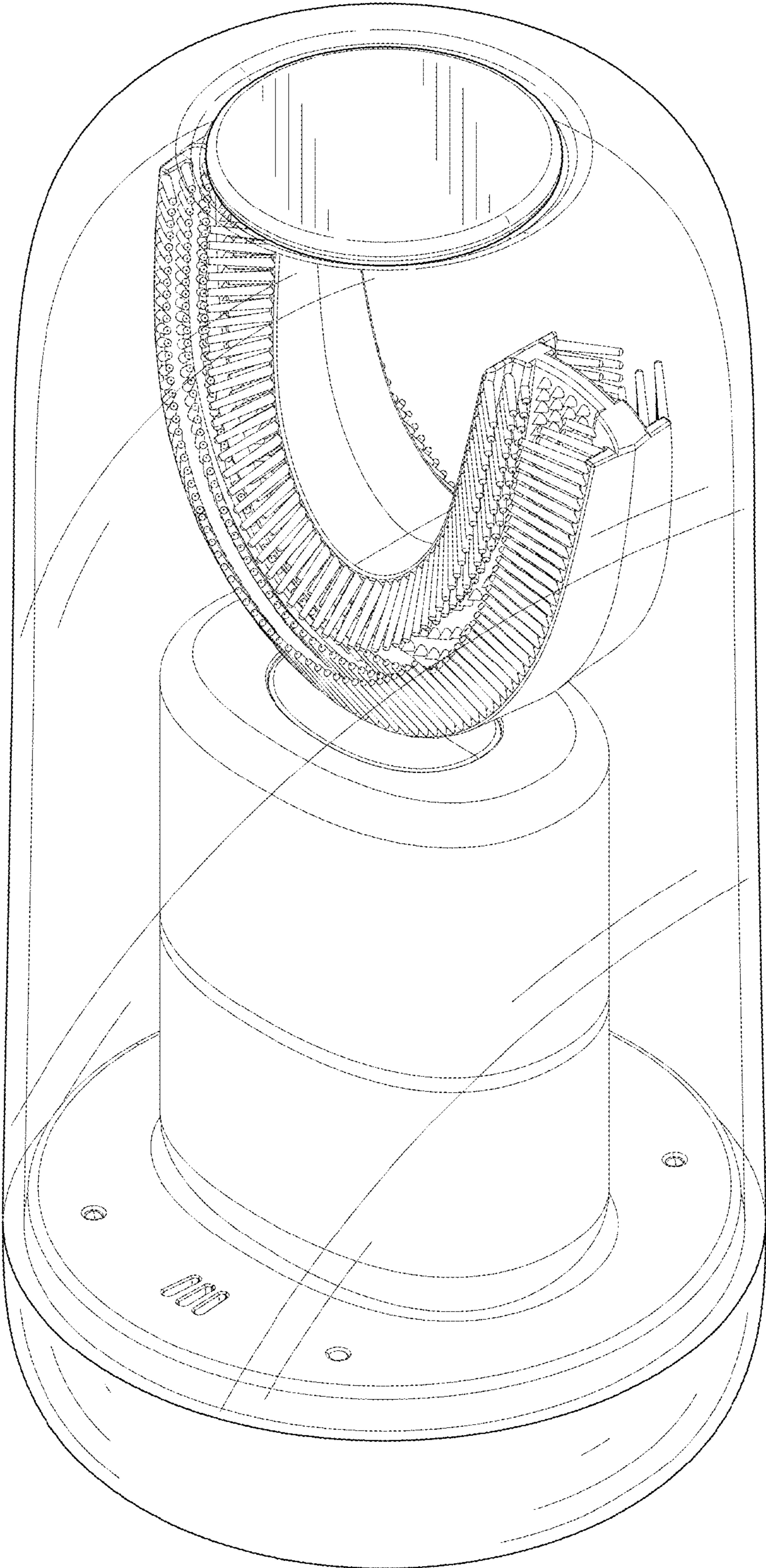


FIG. 1

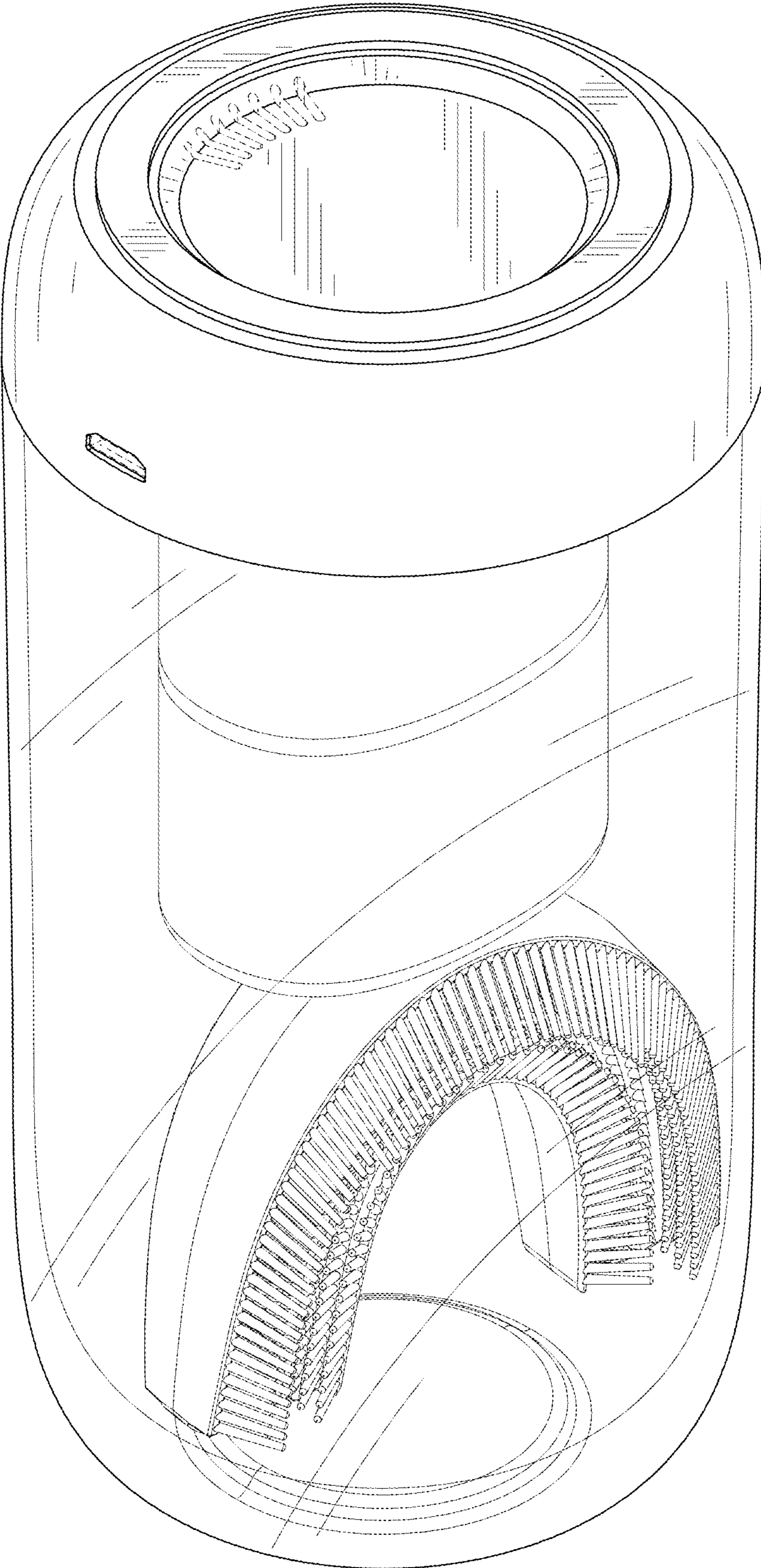


FIG. 2

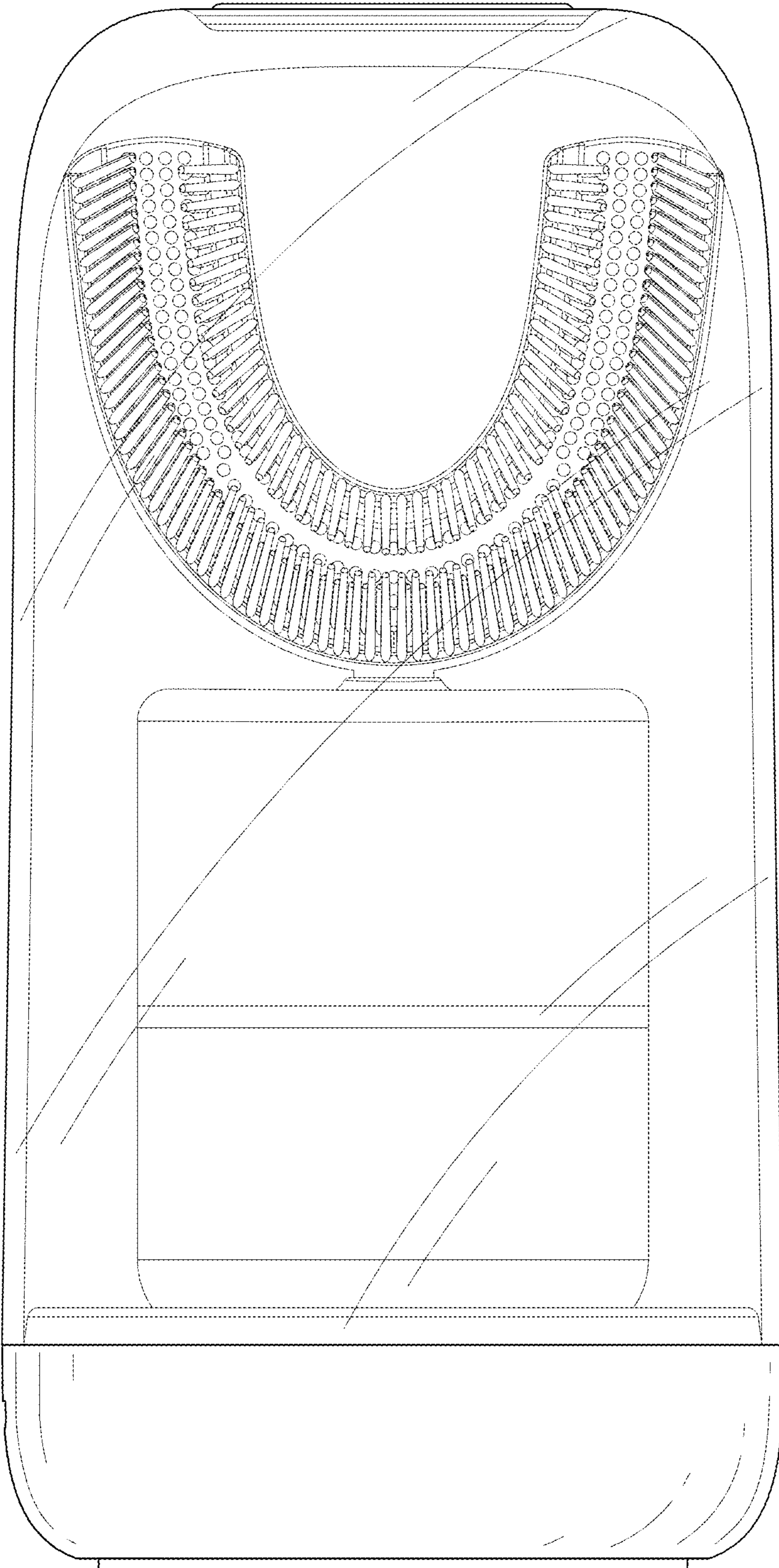


FIG. 3

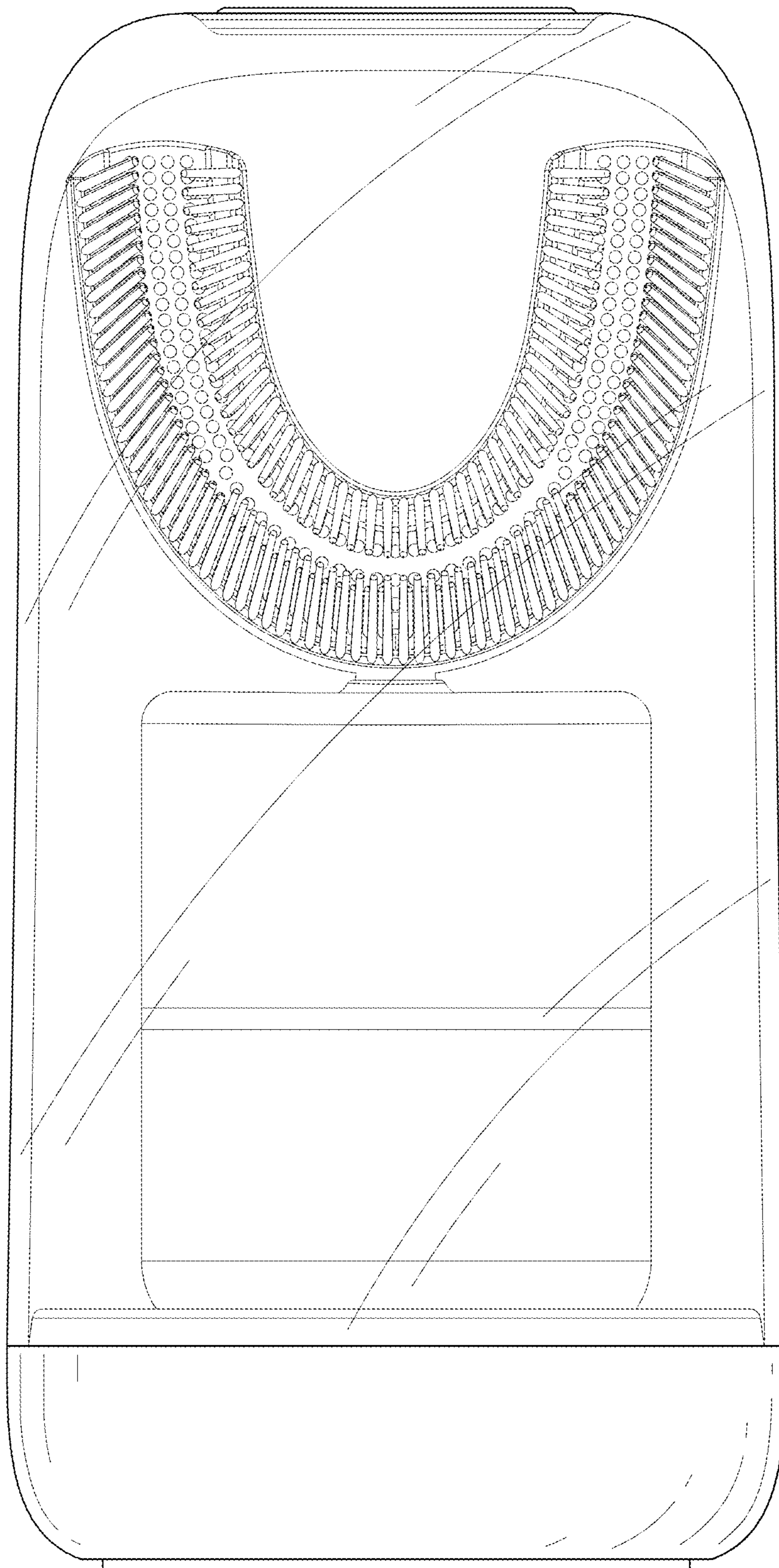


FIG. 4

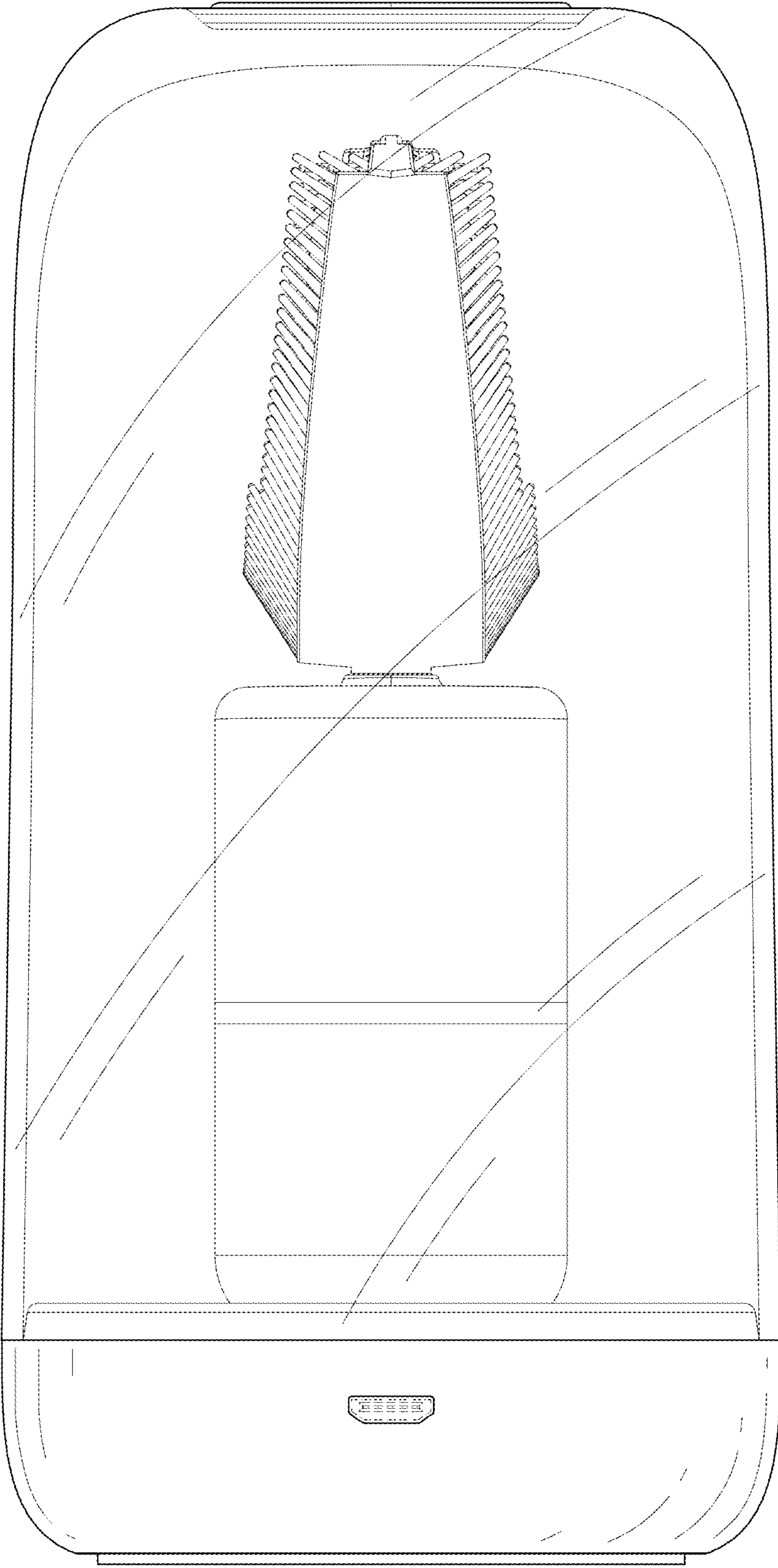


FIG. 5

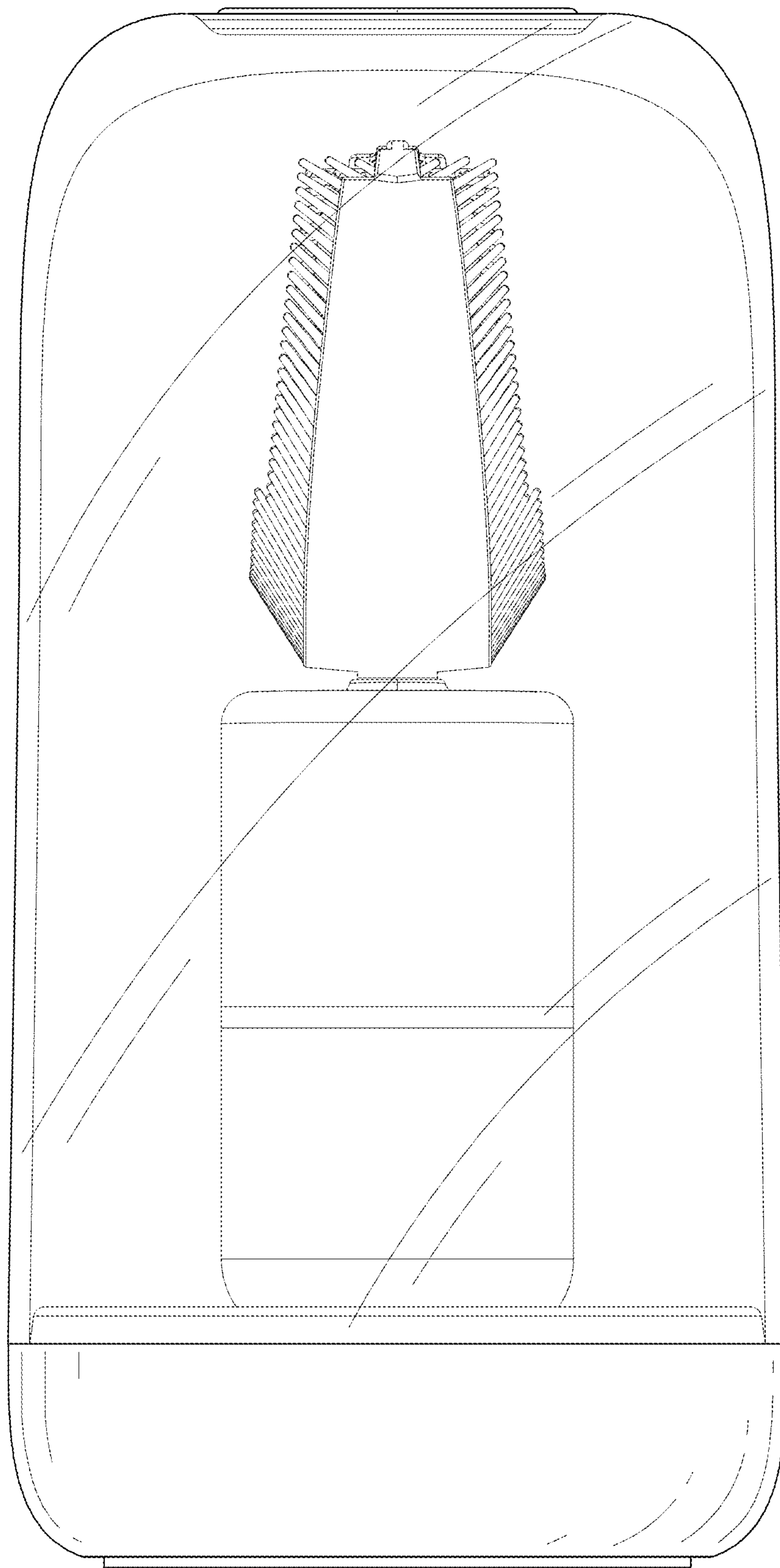


FIG. 6

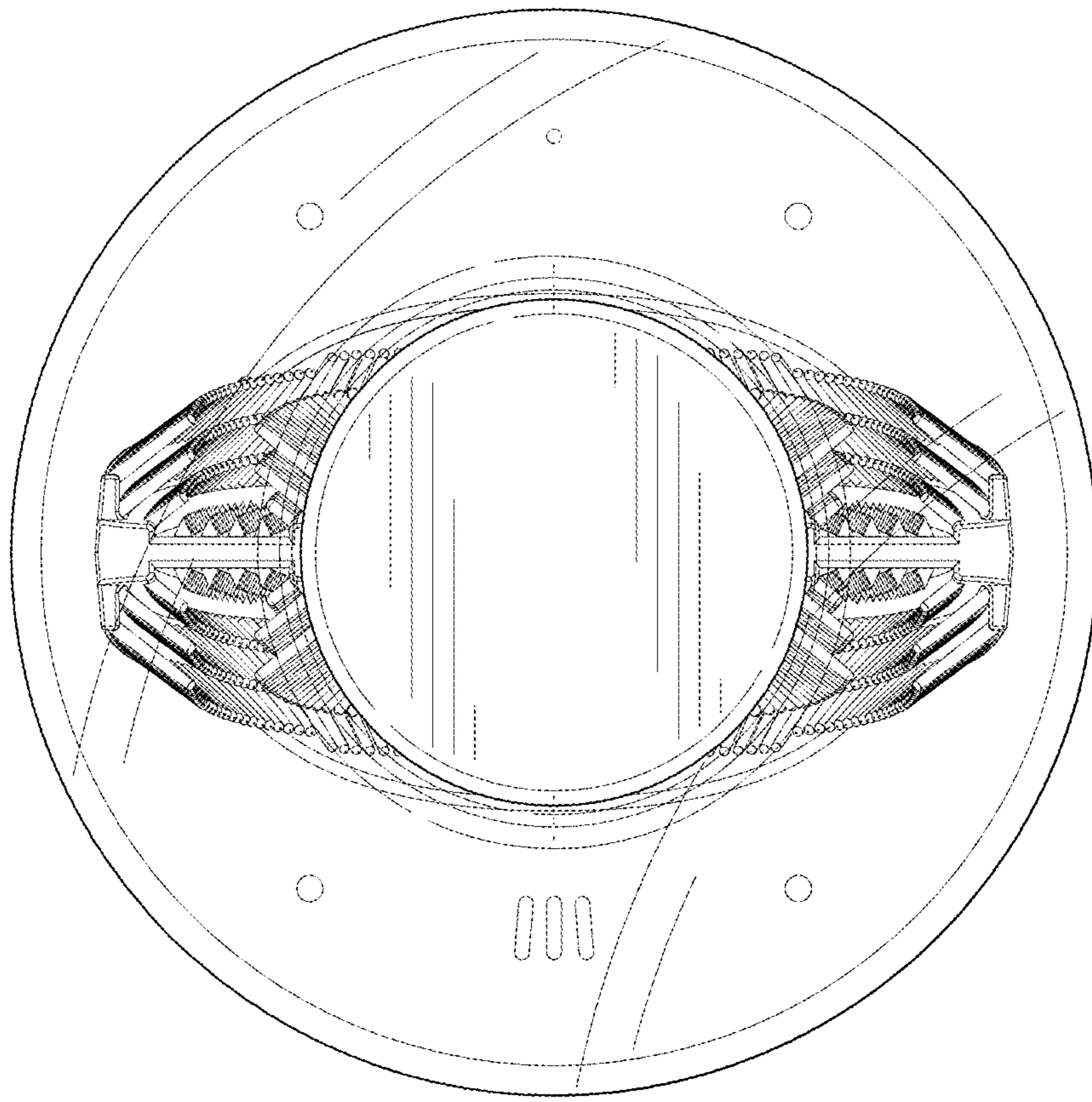


FIG. 7



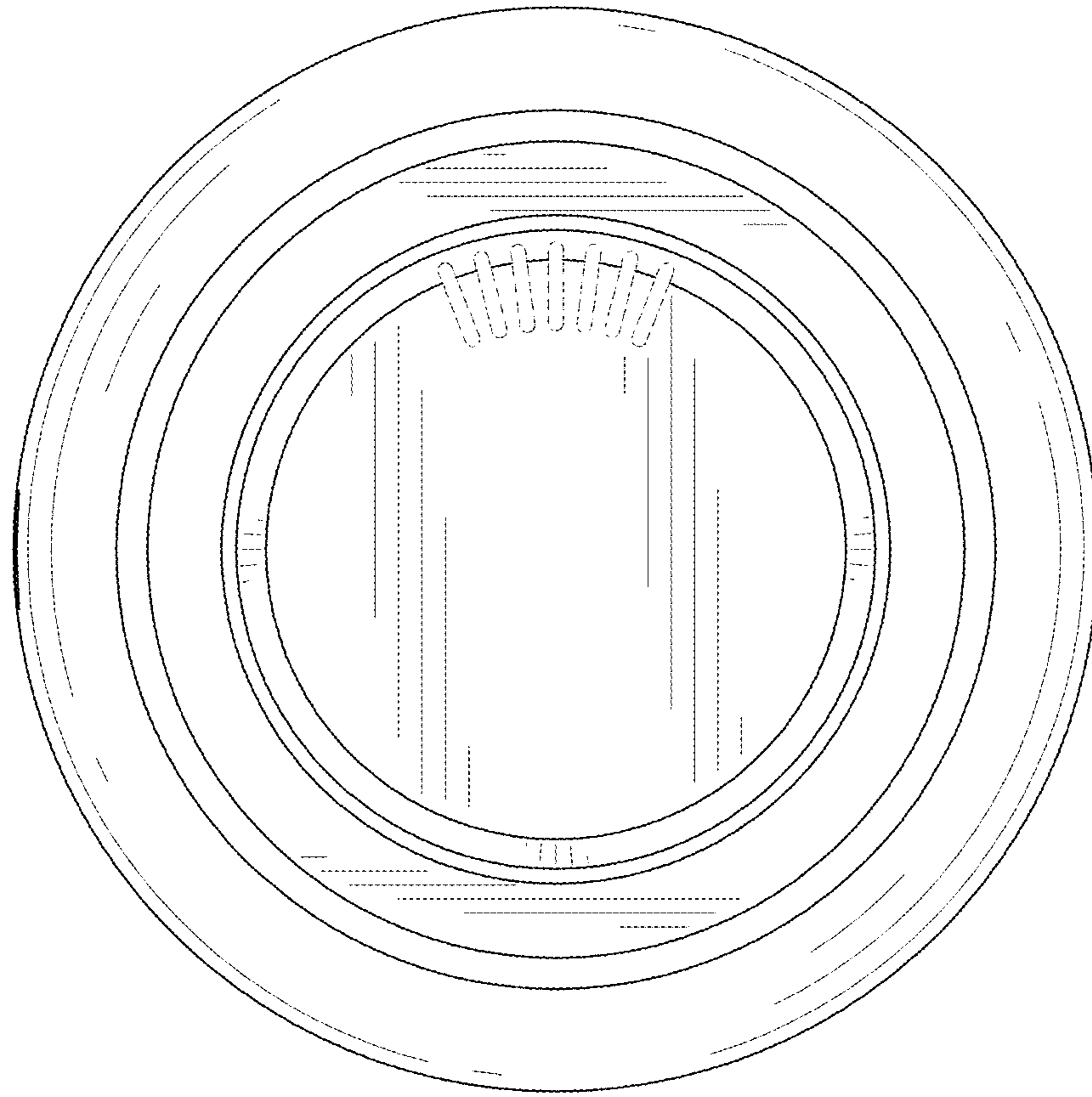


FIG. 8