



US00D883677S

(12) **United States Design Patent** (10) **Patent No.:** **US D883,677 S**
Xie et al. (45) **Date of Patent:** **** May 12, 2020**

(54) **TOOTHBRUSH**

7,047,591 B2 * 5/2006 Hohlbein A46B 5/028
15/143.1
D558,980 S * 1/2008 Jimenez D4/106
D590,597 S * 4/2009 Geiberger D4/104

(71) Applicant: **Colgate-Palmolive Company**, New York, NY (US)

(Continued)

(72) Inventors: **Fan Gang Xie**, Shanghai (CN); **Wen Jin Xi**, Shanghai (CN); **Yanmei Ji**, Yangzhou (CN); **Jiang Zhou**, Yangzhou (CN); **Douglas Hohlbein**, Hopewell, NJ (US)

FOREIGN PATENT DOCUMENTS

CN 100401940 C 7/2008
CN 105828746 B 10/2017

(Continued)

Primary Examiner — Karen E Eldridge Powers

(73) Assignee: **Colgate-Palmolive Company**, New York, NY (US)

(57) **CLAIM**

The ornamental design for an toothbrush, as shown and described.

(**) Term: **15 Years**

DESCRIPTION

(21) Appl. No.: **29/673,234**

(22) Filed: **Dec. 13, 2018**

(51) **LOC (12) Cl.** **04-02**

(52) **U.S. Cl.**
USPC **D4/104**

(58) **Field of Classification Search**
USPC D4/104, 105, 106, 107, 108, 109, 110, D4/111, 112, 113, 129, 136, 138, 199, D4/101, 137
CPC A61C 17/16; A61C 17/22; A61C 17/32; A61C 17/34; A61C 17/228; A46B 9/025; A46B 9/026; A46B 9/045; A46B 9/04
See application file for complete search history.

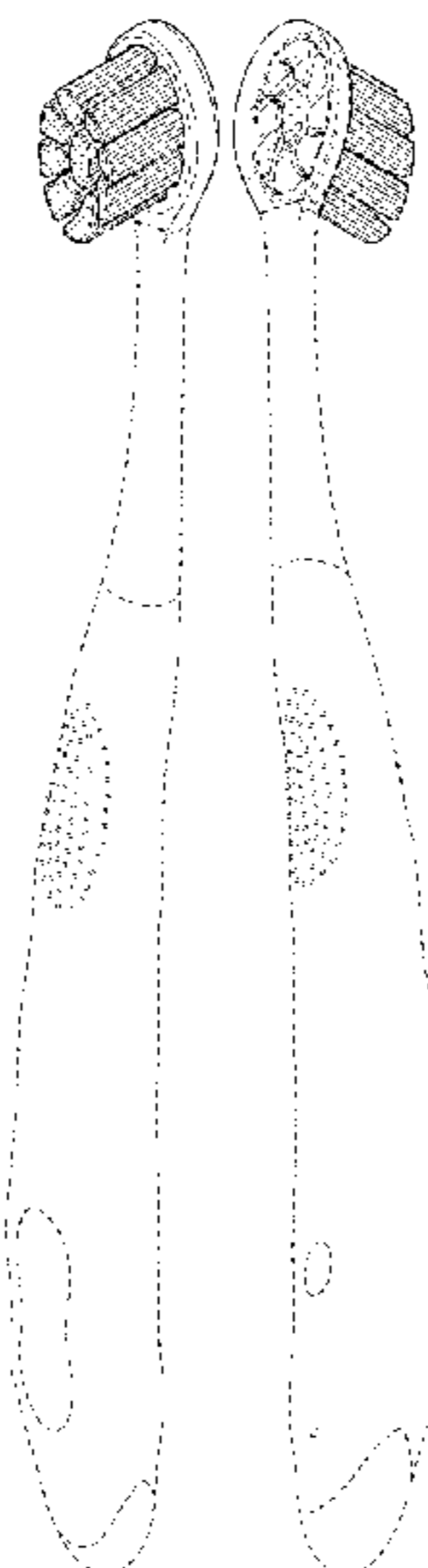
FIG. 1 is a front perspective view of a toothbrush according to a first embodiment of the new design; FIG. 2 is a rear perspective view thereof; FIG. 3 is a front elevation view thereof; FIG. 4 is a rear elevation view thereof; FIG. 5 is a left side elevation view thereof; FIG. 6 is a right side elevation view thereof; FIG. 7 is an enlarged top plan view thereof; FIG. 8 is an enlarged bottom plan view thereof; FIG. 9 is a front perspective view of a toothbrush according to a second embodiment of the new design; FIG. 10 is a rear perspective view thereof; FIG. 11 is a front elevation view thereof; FIG. 12 is a rear elevation view thereof; FIG. 13 is a left side elevation view thereof; FIG. 14 is a right side elevation view thereof; FIG. 15 is an enlarged top plan view thereof; and, FIG. 16 is an enlarged bottom plan view thereof. The dash-dot-dash broken lines define the bounds of the claimed design and form no part thereof. All other broken lines illustrate portions of the toothbrush that form no part of the claimed design.

(56) **References Cited**

U.S. PATENT DOCUMENTS

D144,163 S * 3/1946 Dolnick D4/104
D278,661 S * 5/1985 Gelsen 16/DIG. 12
D397,872 S * 9/1998 Moskovich D4/104
D456,136 S * 4/2002 Roehrig D4/104
6,421,867 B1 7/2002 Weihrauch
6,438,786 B2 8/2002 Harada
D510,807 S * 10/2005 Jimenez D4/104
D513,126 S * 12/2005 Jimenez D4/104

1 Claim, 8 Drawing Sheets



(56)

References Cited

FOREIGN PATENT DOCUMENTS

U.S. PATENT DOCUMENTS			FOREIGN PATENT DOCUMENTS		
			CN	105517461 B	6/2018
			EP	1339346 B1	5/2006
			EP	2700331 B1	6/2018
7,814,603 B2	10/2010	Gavney, Jr.	EP	2385772 B1	8/2018
D661,100 S *	6/2012	Nanda D4/104	EP	3381319 A1	10/2018
D664,359 S	7/2012	Xi	EP	3381320 A1	10/2018
8,387,196 B2	3/2013	Jimenez et al.	EP	3381321 A1	10/2018
9,066,579 B2	6/2015	Hess et al.	EP	3381322 A1	10/2018
D759,380 S *	6/2016	Watkins D4/101	EP	3402364 A1	11/2018
D764,176 S	8/2016	Xi	EP	2371217	4/2004
D764,177 S	8/2016	Xi	GB	2000000117	1/2000
9,655,435 B2	5/2017	Kraemer et al.	JP	D1421458	8/2011
9,826,822 B2	11/2017	Geiberger et al.	JP	D1551400	6/2016
D813,550 S	3/2018	Xi	JP	D1530063	7/2018
D814,796 S	4/2018	Xi	JP	3003868130000	7/2005
D824,174 S *	7/2018	Altmann D4/101	KR	3004421640000	3/2007
D860,653 S *	9/2019	Xi D4/104	KR	3004585160000	8/2007
D868,479 S *	12/2019	Papazian D4/101	KR	300826820001	11/2015
D868,480 S *	12/2019	Papazian D4/104	TW	D153413	5/2013
D868,481 S *	12/2019	Papazian D4/104	TW	D174985	4/2016
D868,483 S *	12/2019	Papazian D4/104	TW	D174986	4/2016
2009/0044360 A1	2/2009	Davidson et al.	WO	2004028235	5/2004
2015/0327666 A1 *	11/2015	Hohlbein A46B 3/06 300/21	WO	2004062573	12/2004
2017/0099940 A1	4/2017	Gottlieb	WO	2004112538	12/2004
2017/0311711 A1	11/2017	Sorrentino	WO	2014098853	6/2014
2018/0242725 A1	8/2018	Hohlbein			

* cited by examiner

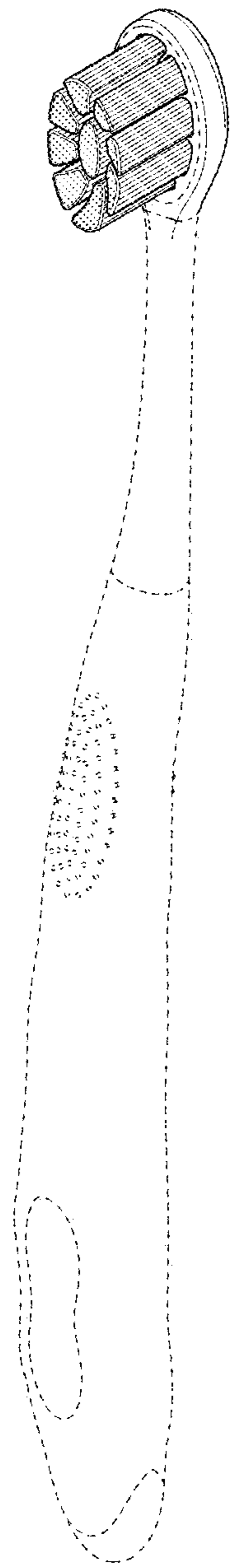


FIG. 1

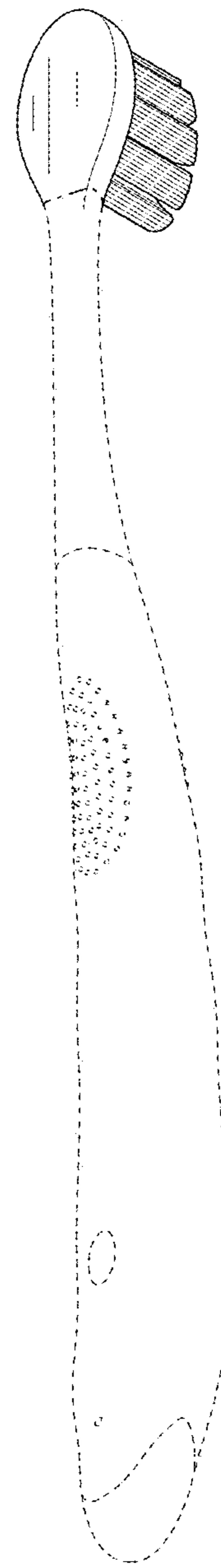


FIG. 2

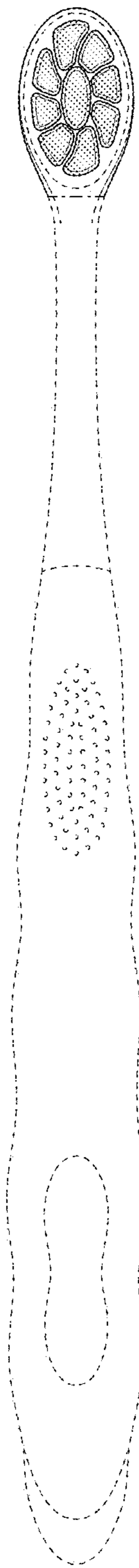


FIG. 3

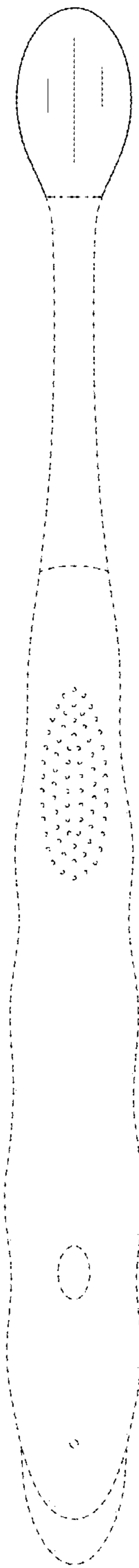


FIG. 4

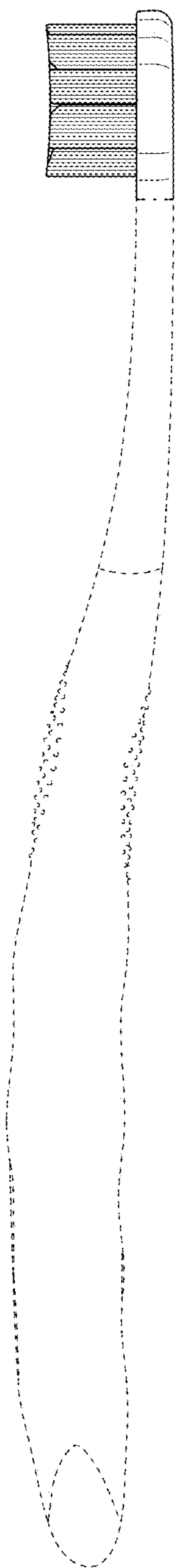


FIG. 5

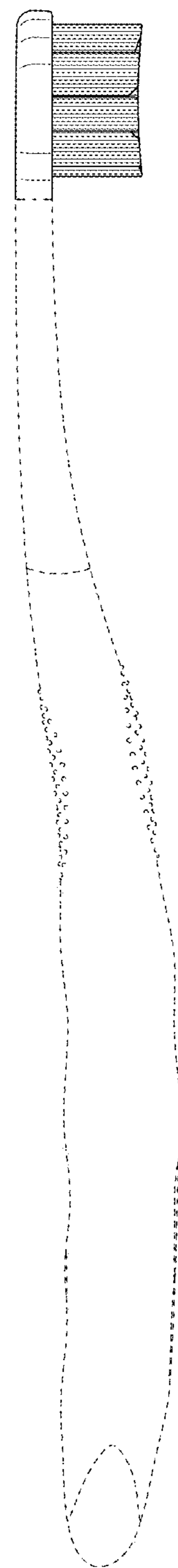


FIG. 6

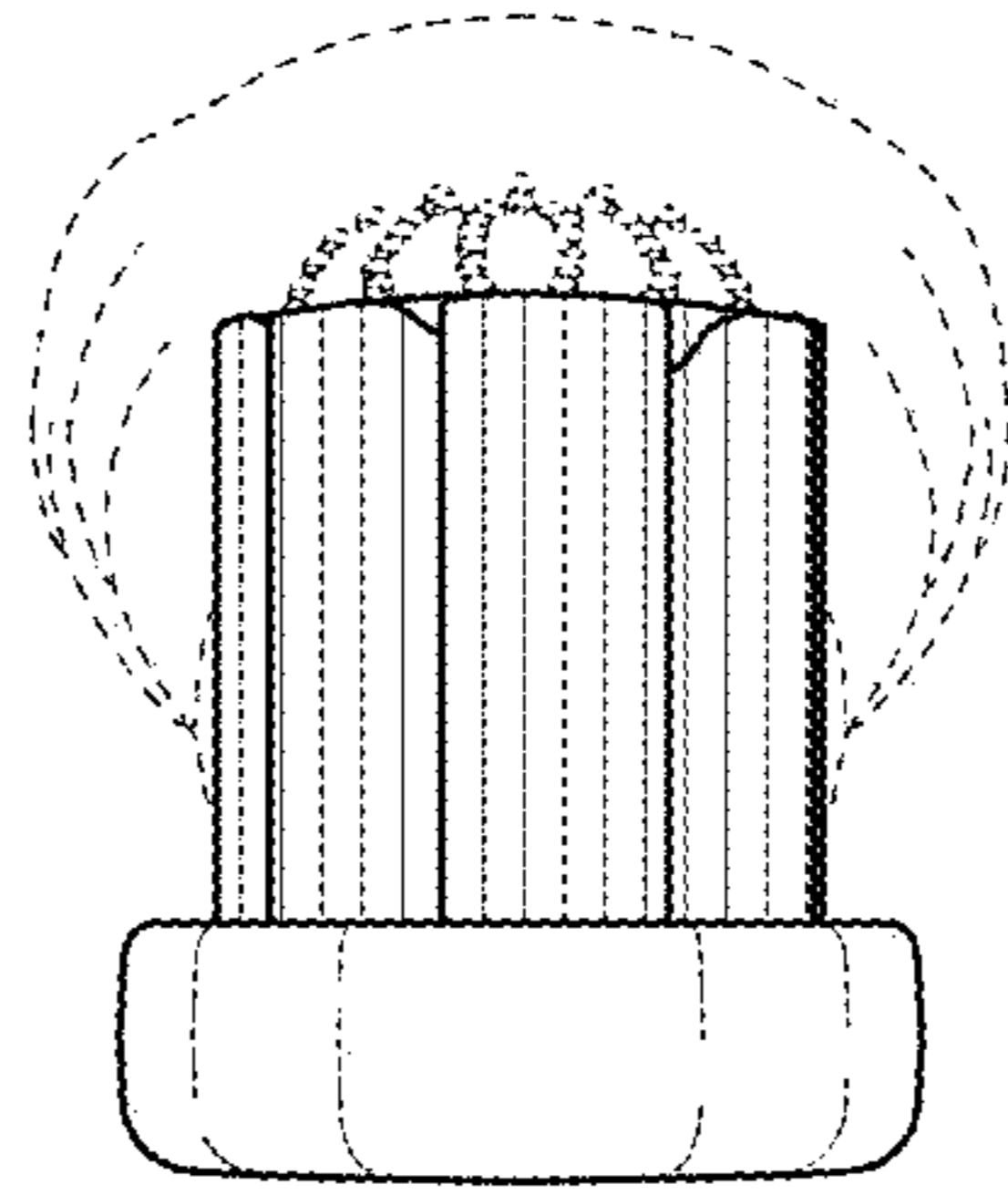


FIG. 7

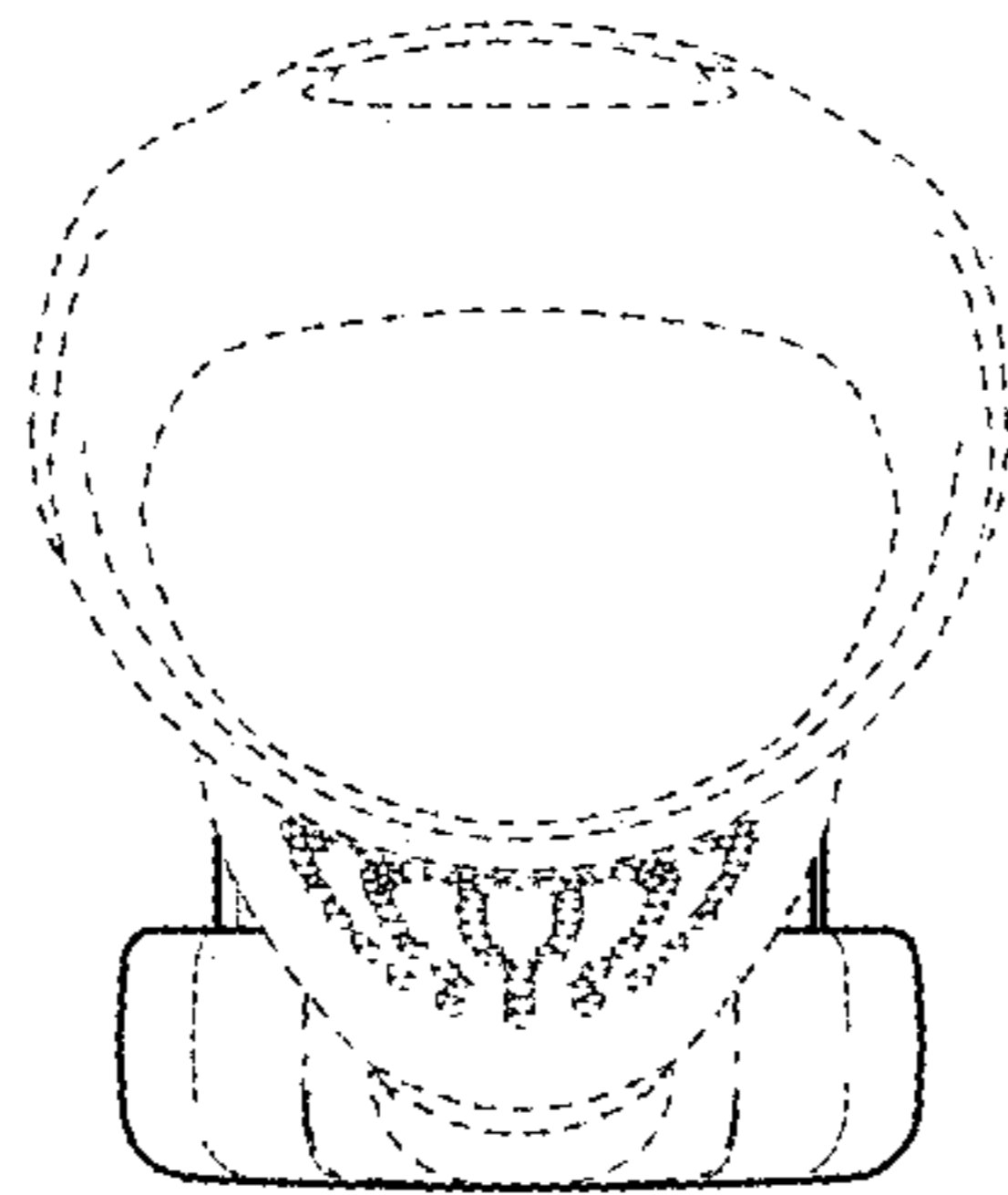


FIG. 8

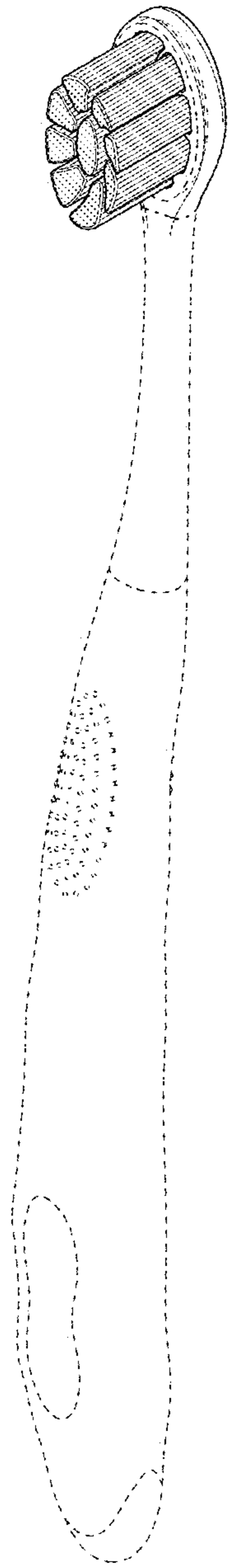


FIG. 9

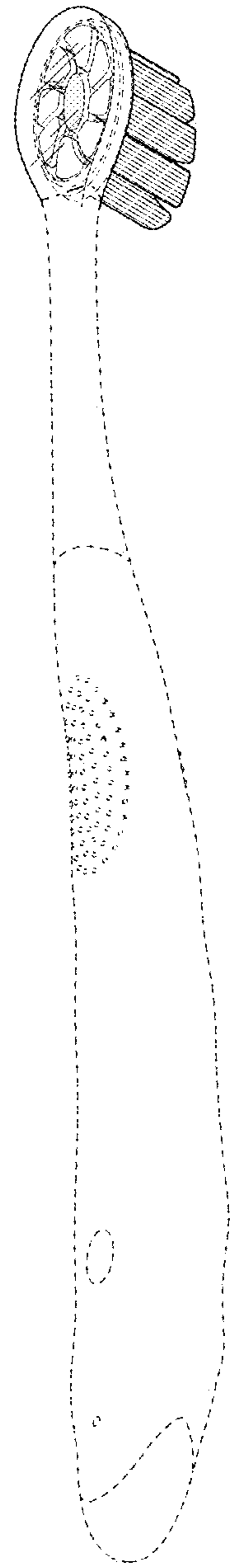


FIG. 10

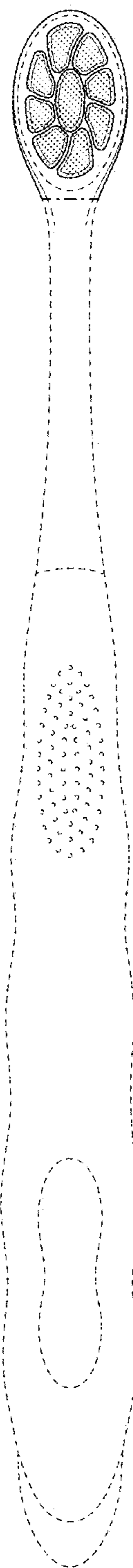


FIG. 11

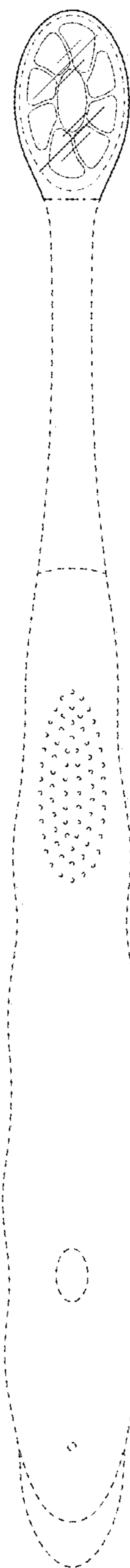


FIG. 12

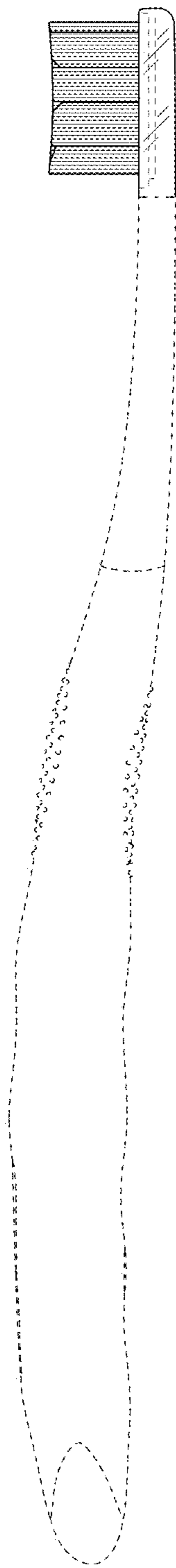


FIG. 13

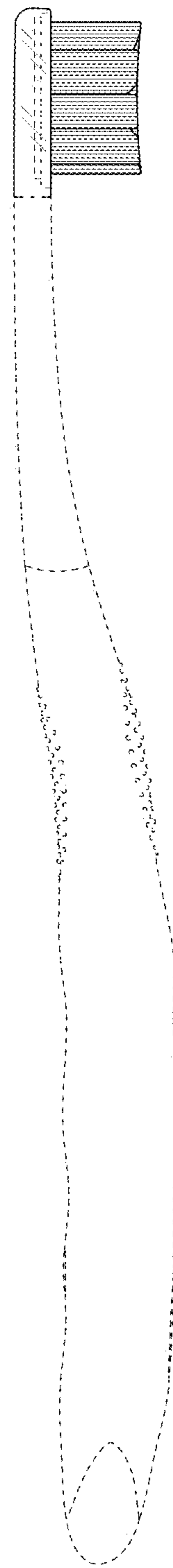


FIG. 14

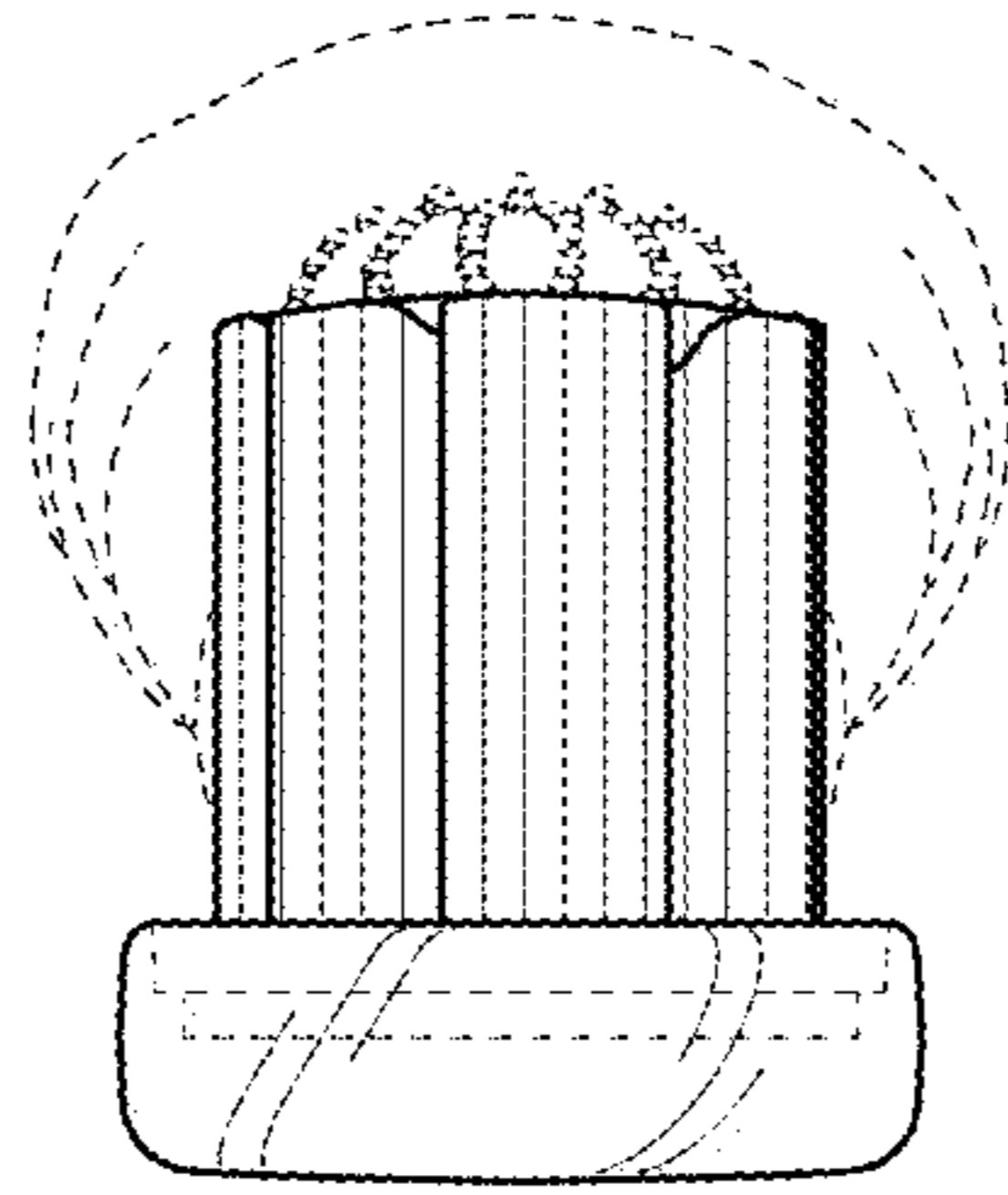


FIG. 15

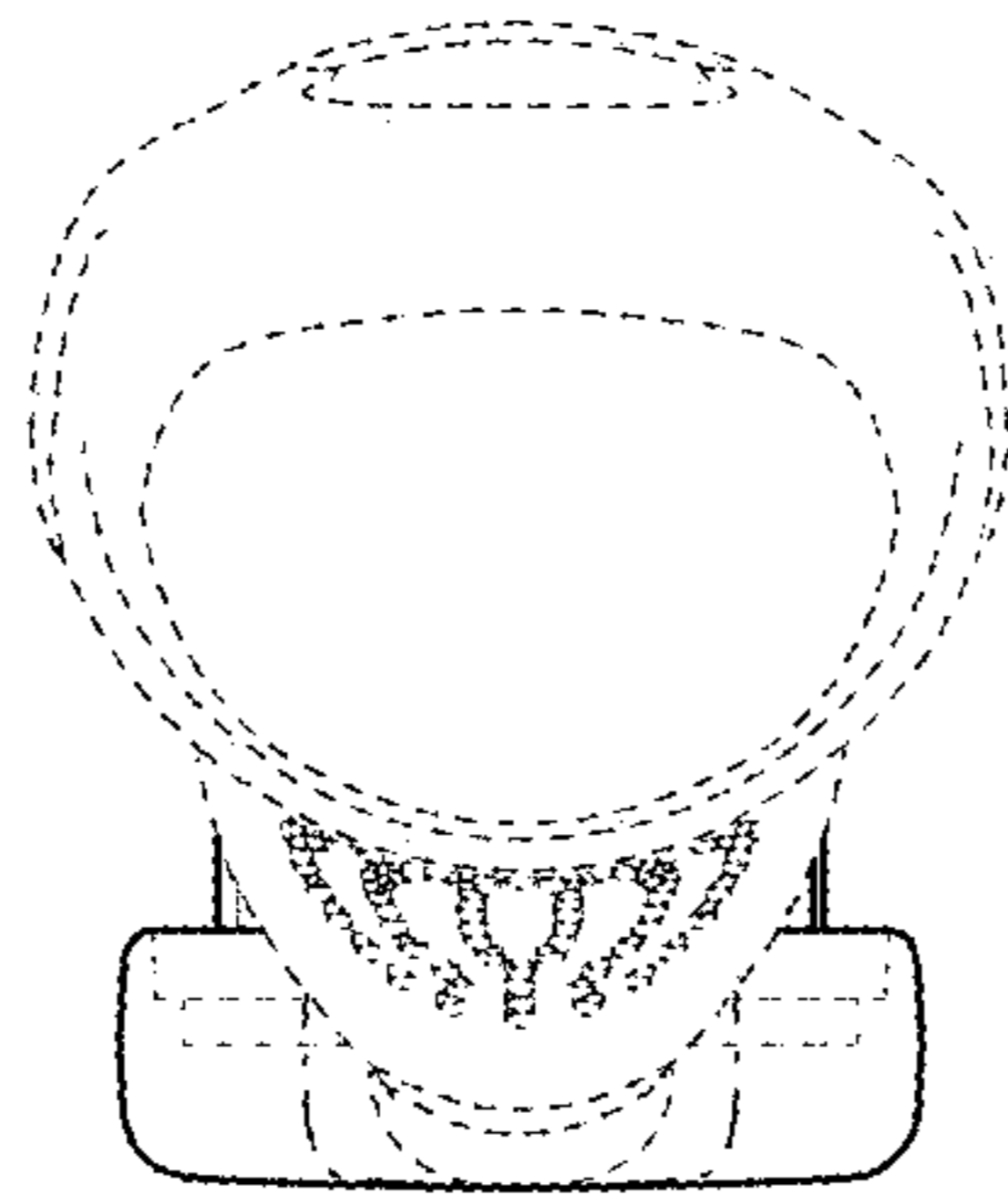


FIG. 16