



US00D883674S

(12) **United States Design Patent**
Marshall

(10) **Patent No.:** **US D883,674 S**

(45) **Date of Patent:** **** May 12, 2020**

(54) **GOLF BAG LOOP FOR STRAP**

D494,754 S *	8/2004	Murphy	D3/228
7,028,420 B2 *	4/2006	Tonkel	A43B 3/102
				36/100
7,104,570 B2 *	9/2006	Hearn	B60R 22/023
				280/801.1
7,481,311 B1	1/2009	Old		
D600,910 S	9/2009	Saconay-Duhart		
7,905,349 B2	3/2011	Campbell		
D653,032 S	1/2012	Myers		
D788,840 S *	6/2017	Corcorran	D17/20
D789,093 S *	6/2017	Kinskey	D3/327

(71) Applicant: **Acushnet Company**, Fairhaven, MA
(US)

(72) Inventor: **Duane Marshall**, East Greenwich, RI
(US)

(73) Assignee: **Acushnet Company**, Fairhaven, MA
(US)

(**) Term: **15 Years**

(21) Appl. No.: **29/672,234**

(22) Filed: **Dec. 4, 2018**

(51) **LOC (12) Cl.** **03-01**

(52) **U.S. Cl.**
USPC **D3/318**

(58) **Field of Classification Search**
USPC D3/255, 327, 318
CPC A63B 55/00; A63B 57/00; A63B 55/404;
A63B 55/406; A63B 55/10; A63B 55/60;
A63B 55/40
See application file for complete search history.

(56) **References Cited**

U.S. PATENT DOCUMENTS

1,951,098 A *	3/1934	Mann	A41F 9/007
				2/237
3,698,048 A *	10/1972	Weman	A44B 11/2538
				24/599.7
4,796,752 A	1/1989	Reimers		
5,123,531 A	6/1992	Beretta		
5,215,194 A	6/1993	Blanford et al.		
D373,471 S *	9/1996	Banks	D3/255
5,988,379 A	11/1999	Yearous		
D429,631 S *	8/2000	Shaw	D3/255
6,712,205 B2	3/2004	Lee		

* cited by examiner

Primary Examiner — Holly H Baynham

(74) *Attorney, Agent, or Firm* — Daniel W. Sullivan

(57) **CLAIM**

The ornamental design for a golf bag loop for strap, as shown and described.

DESCRIPTION

FIG. 1 is a first perspective view of the golf bag loop for strap of this invention;

FIG. 2 is a front view of the golf bag loop for strap of this invention;

FIG. 3 is a first side view of the golf bag loop for strap of this invention;

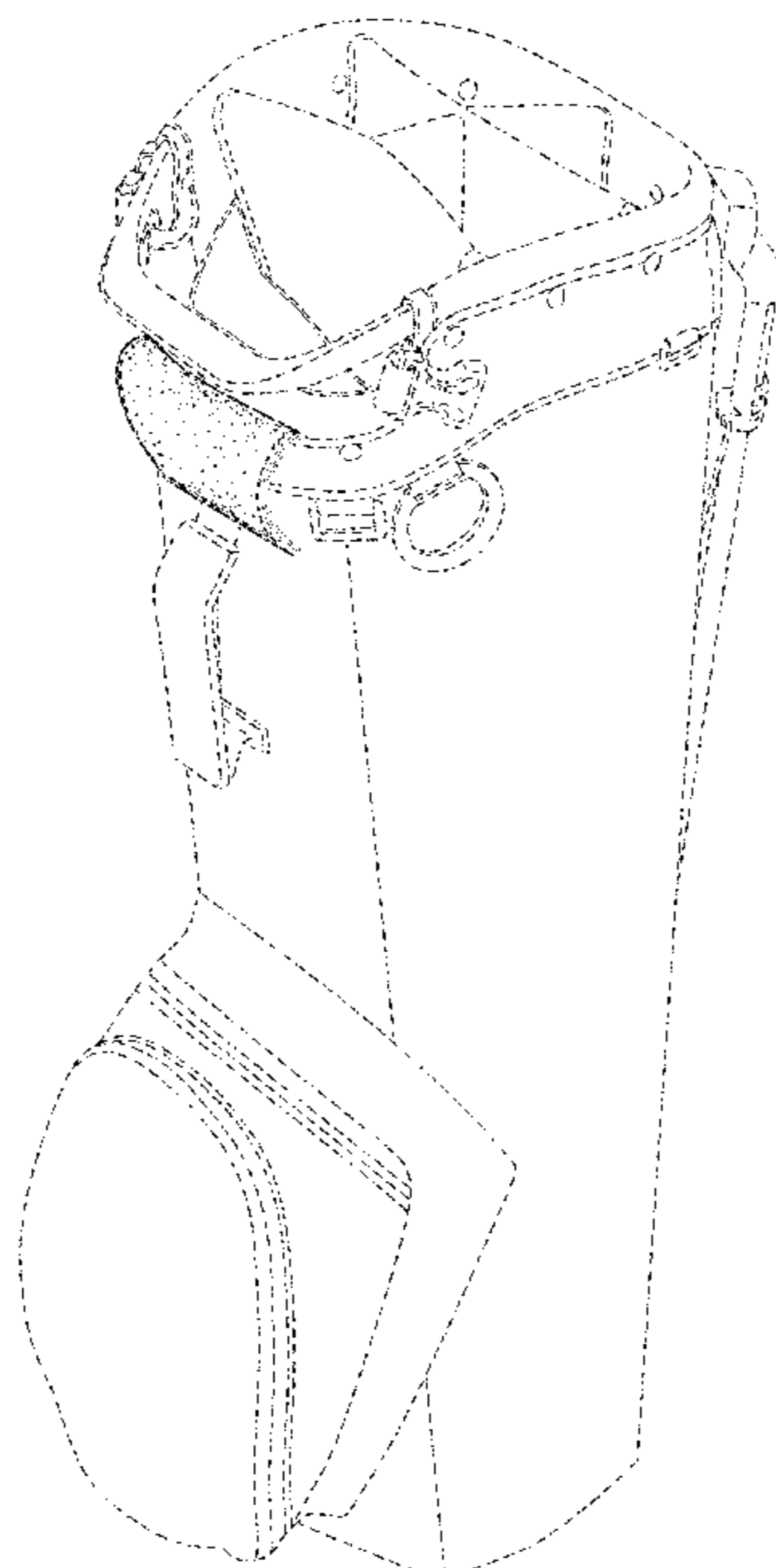
FIG. 4 is a rear view of the golf bag loop for strap of this invention;

FIG. 5 is a second side view of the golf bag loop for strap of this invention; and,

FIG. 6 is a top plan view of the golf bag loop for strap of this invention.

In FIGS. 1-6, the broken lines depict unclaimed portions of the golf bag. The broken lines visible on the surface of the golf bag loop for strap in FIGS. 1-6 represent claimed stitching.

1 Claim, 4 Drawing Sheets



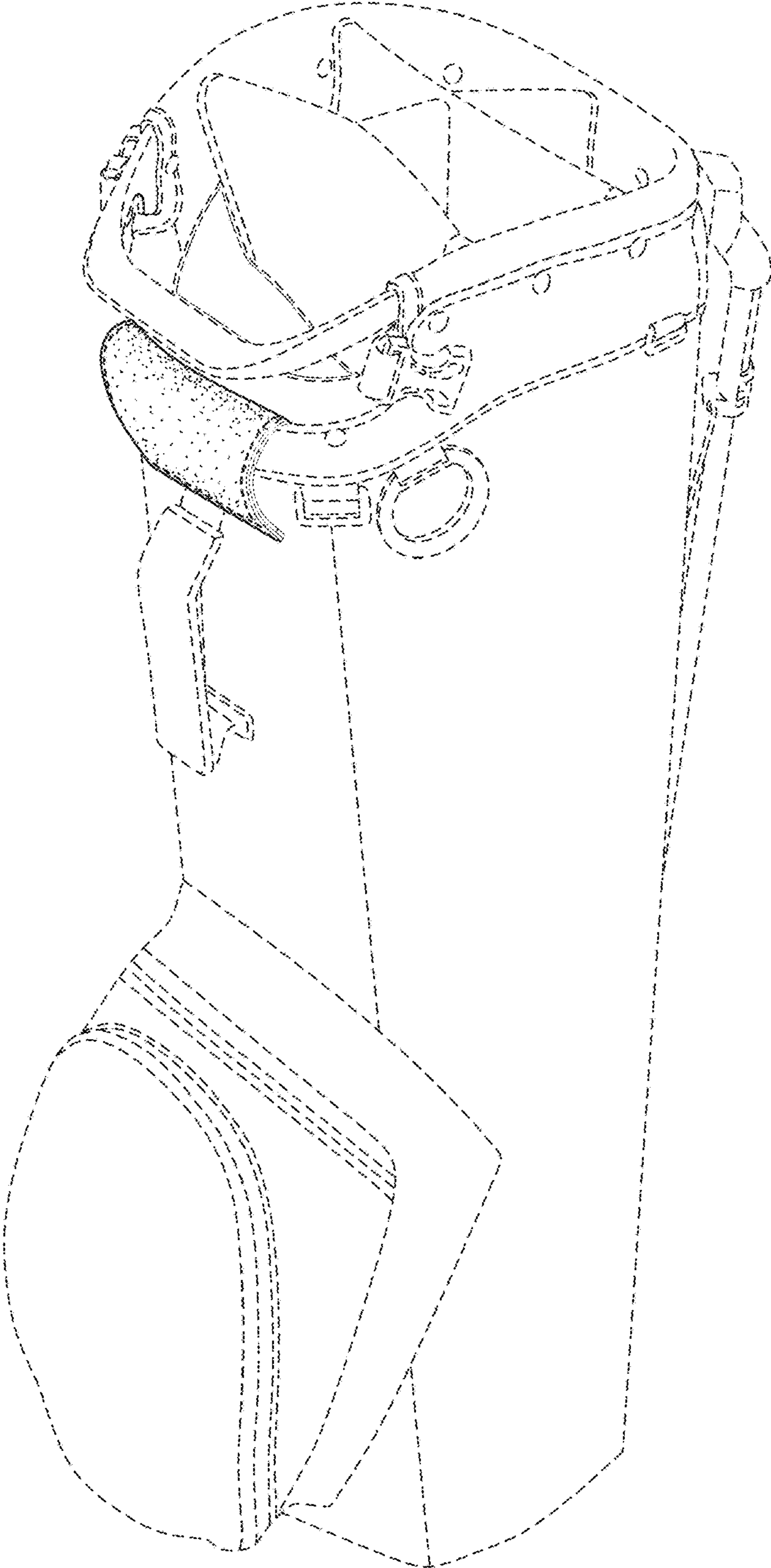


FIG. 1

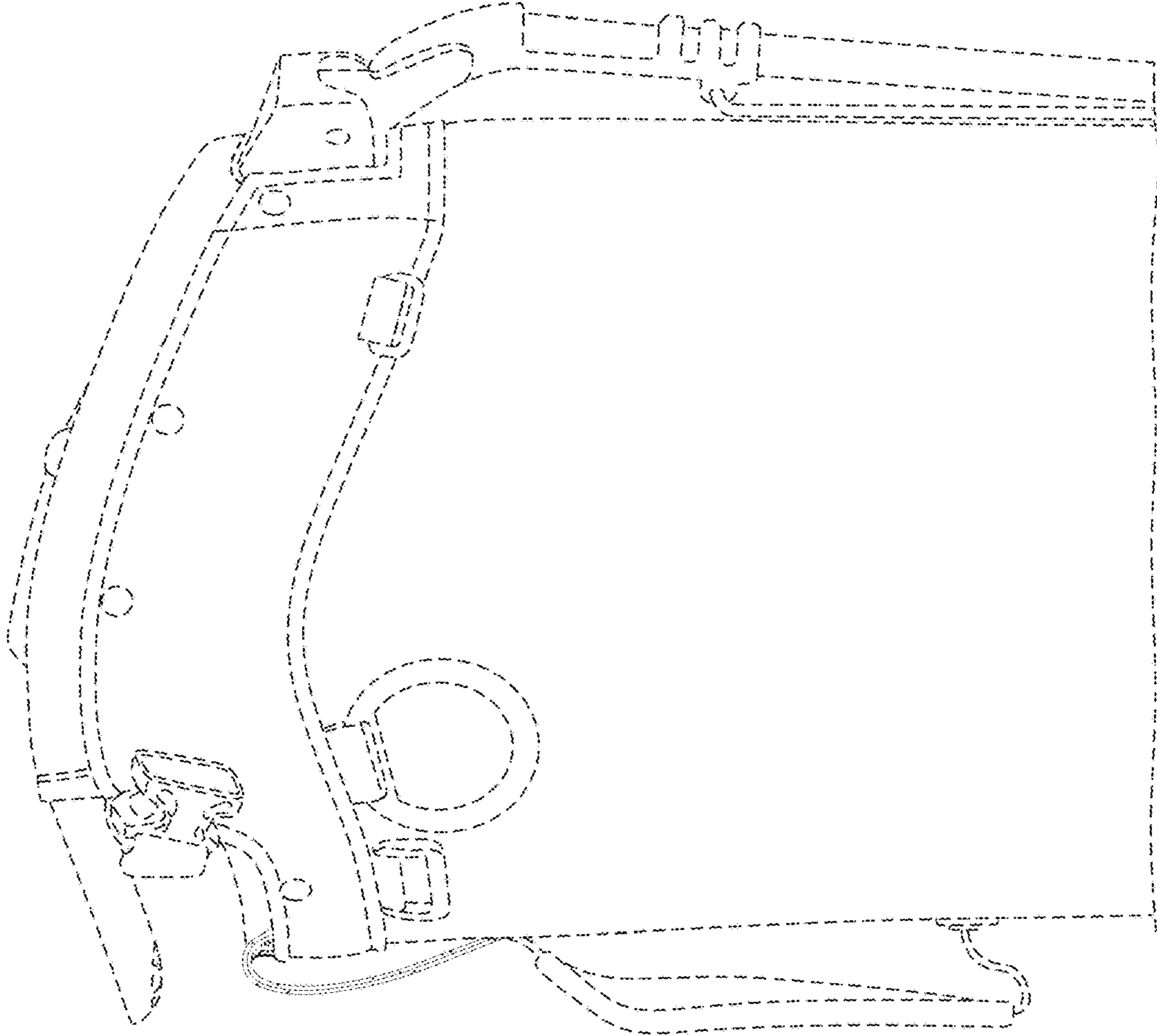


FIG. 2

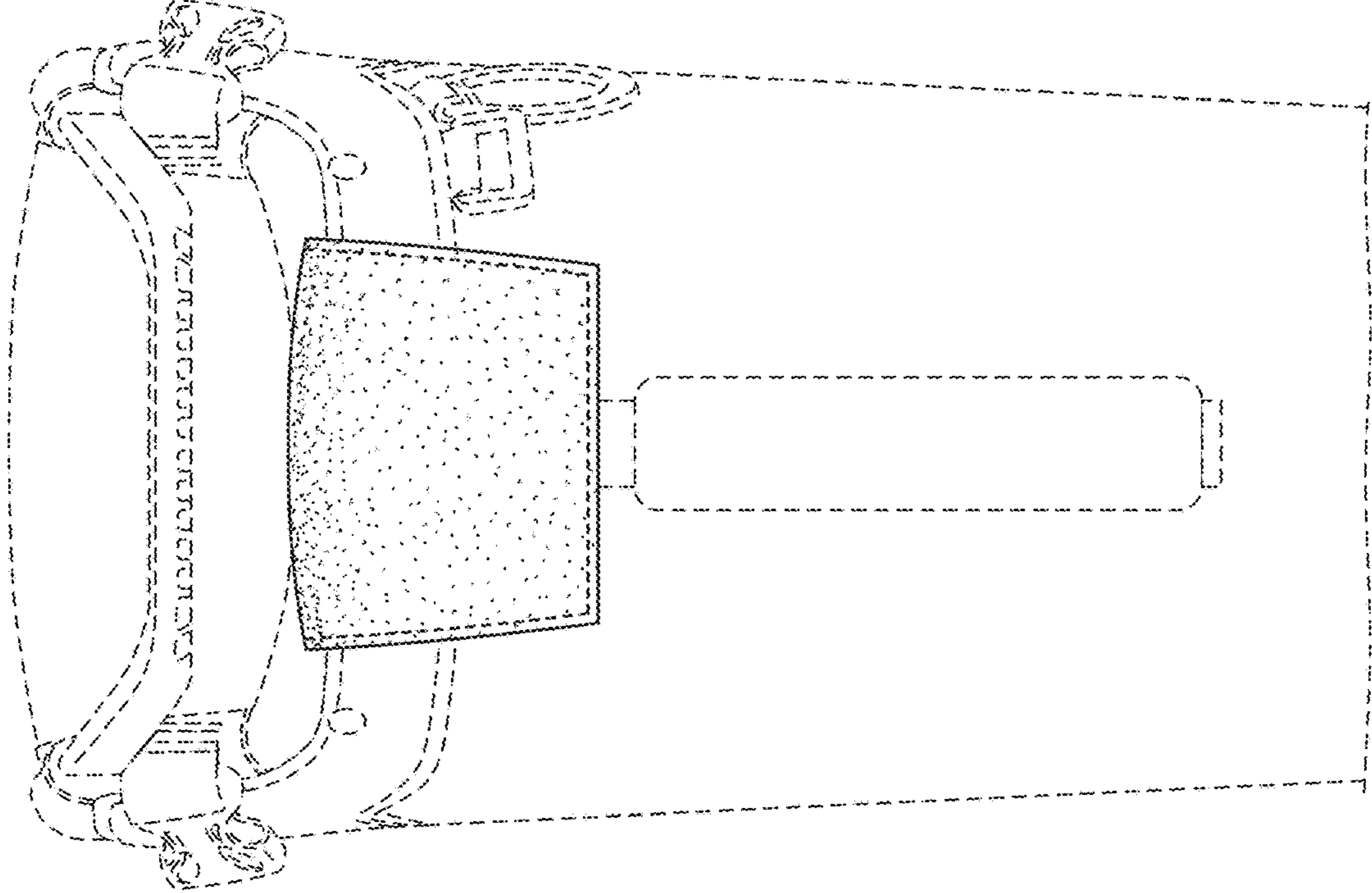


FIG. 3

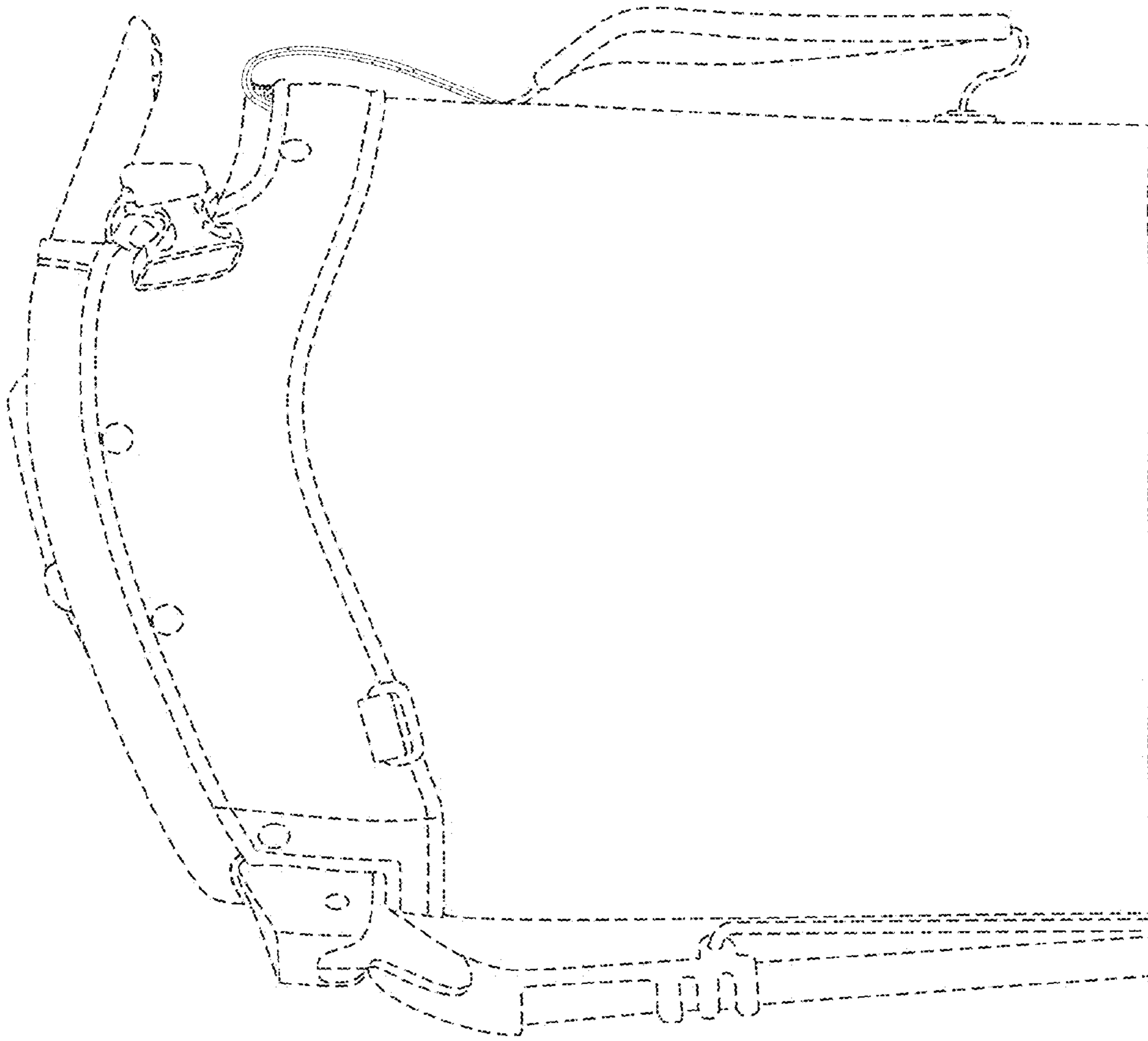


FIG. 5

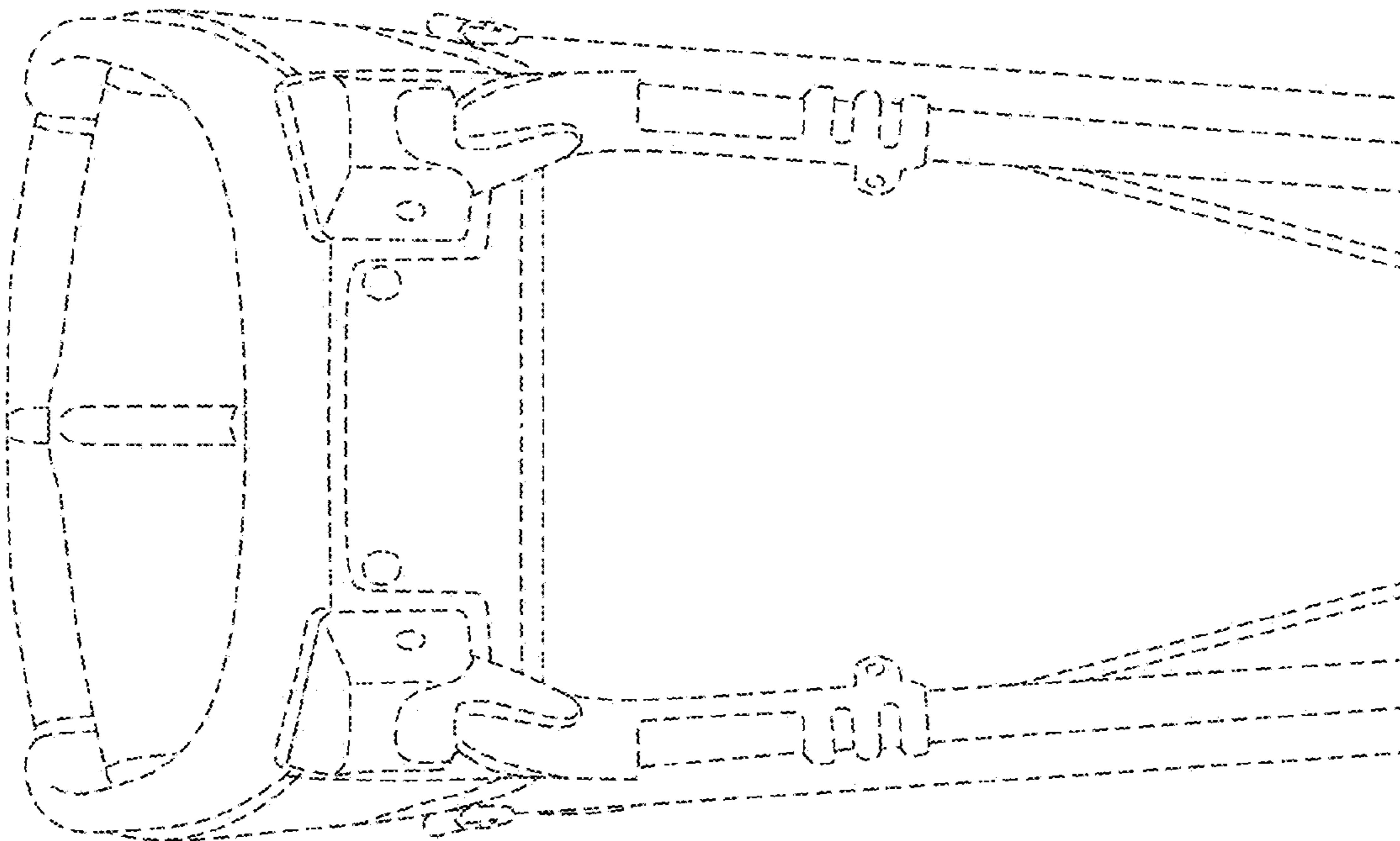


FIG. 4

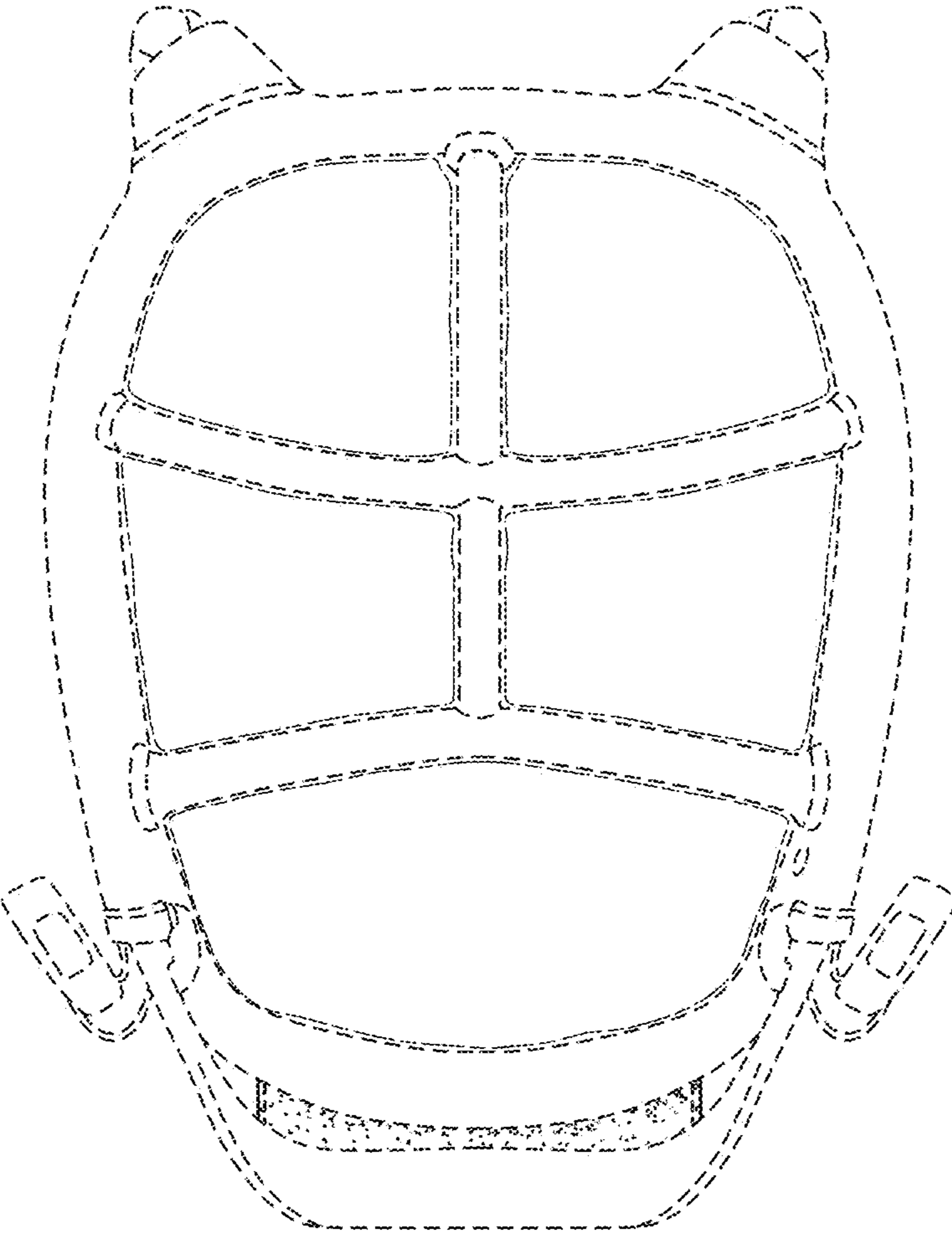


FIG. 6