



US00D883672S

(12) **United States Design Patent**
Lynch

(10) **Patent No.:** **US D883,672 S**

(45) **Date of Patent:** **** May 12, 2020**

(54) **BIN LABEL**

(71) Applicant: **Lori Ann Lynch**, Carlsbad, CA (US)

(72) Inventor: **Lori Ann Lynch**, Carlsbad, CA (US)

(73) Assignee: **Lori Ann Lynch**, Carlsbad, CA (US)

(**) Term: **15 Years**

(21) Appl. No.: **29/626,363**

(22) Filed: **Nov. 16, 2017**

(51) **LOC (12) Cl.** **03-01**

(52) **U.S. Cl.**

USPC **D3/318**; D20/22

(58) **Field of Classification Search**

USPC D3/318; D10/109.1, 109.2, 113.4;
D20/10, 11, 19, 22-28, 40, 99; D26/11;
40/368, 446, 452, 453, 488, 538, 541,
40/542, 545-548, 563, 564, 568,
40/570-574, 582, 584, 594, 596, 600,
40/605, 615, 617, 618, 624; 362/217,
362/551, 559, 562, 565, 806, 811, 812;
D6/300-302, 308, 309; D9/415, 456,
D9/457; D25/138, 157

CPC A47B 2095/025; A47B 95/02; G09F 3/00;
G09F 7/16; G09F 2007/122; G09F 13/00;
G09F 13/04; G09F 13/06; G09F 13/18;
G09F 13/22; G09F 13/24; G09F 13/26;
G09F 2013/1895; G09F 15/00

See application file for complete search history.

(56) **References Cited**

U.S. PATENT DOCUMENTS

2,360,997 A * 10/1944 Winston A45C 11/04
40/642.02
D265,485 S * 7/1982 Liptak D20/10
4,373,283 A * 2/1983 Swartz G09F 13/04
40/545

D289,423 S * 4/1987 Lawrence 281/42
5,343,647 A * 9/1994 Bulka G09F 3/10
283/101
5,855,083 A * 1/1999 Bilbie B43L 1/123
40/615
D456,455 S * 4/2002 Cleveland D20/27
D460,784 S * 7/2002 Emma D20/10
D616,294 S * 5/2010 Britt D9/414
D641,795 S * 7/2011 Gamboa D20/43
D642,623 S * 8/2011 Turner A45C 11/04
40/642.02
D664,056 S * 7/2012 Kunka B65D 25/205
206/459.5
D673,846 S * 1/2013 Seman G09F 3/14
D9/415
D728,230 S * 5/2015 Oas D3/247
D729,318 S * 5/2015 Maman D20/42
D787,824 S * 5/2017 Gross D9/414
D824,470 S * 7/2018 Bragg G09F 3/10
283/101
D843,728 S * 3/2019 Lynch D9/415

(Continued)

Primary Examiner — Cathron C Brooks

Assistant Examiner — Christian P. McLean

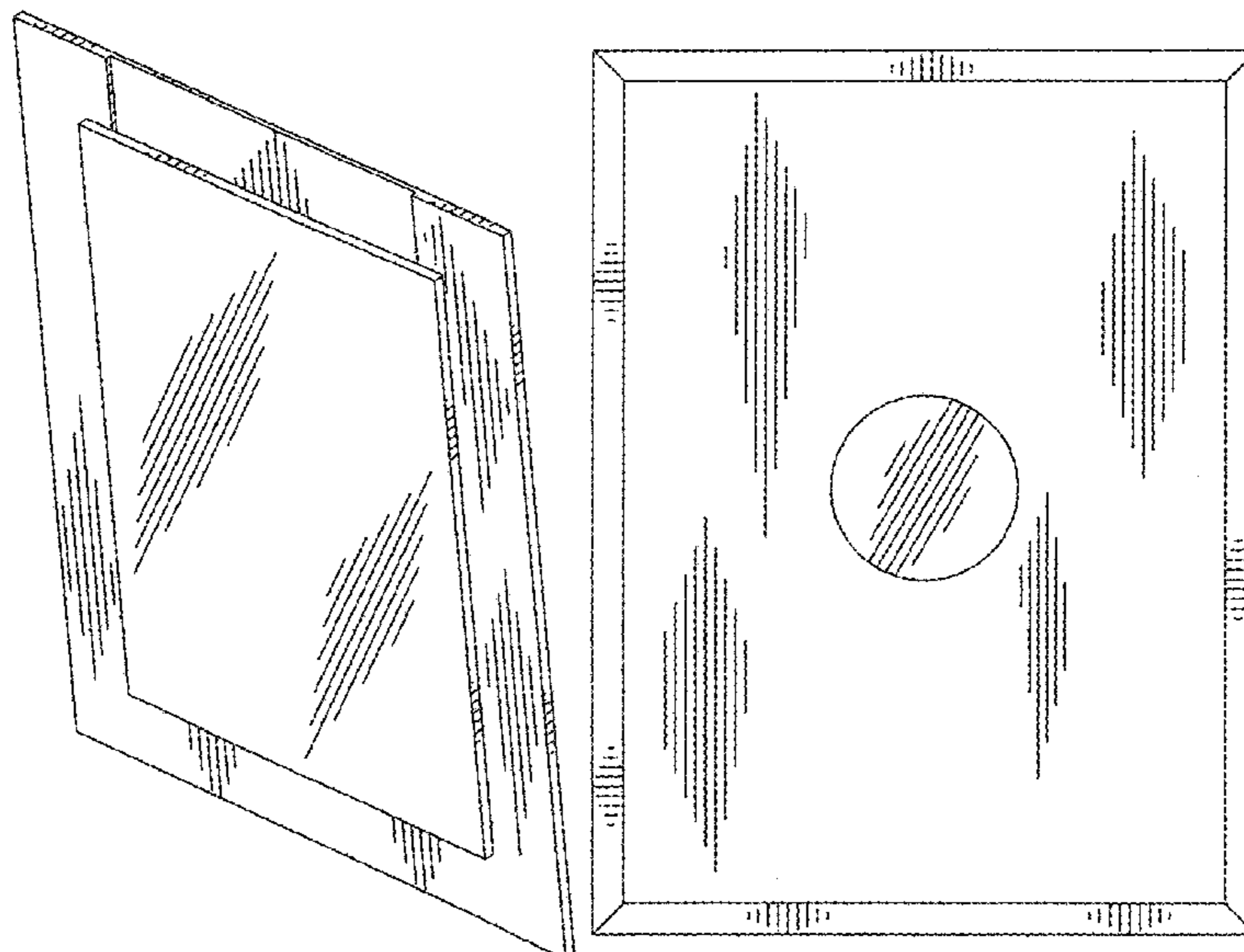
(57) **CLAIM**

The ornamental design for a bin label, as shown and described.

DESCRIPTION

FIG. 1 is an environmental view of the bin label, shown attached to a bin;
FIG. 2 is an enlarged perspective view of the bin label;
FIG. 3 is a front elevational view thereof;
FIG. 4 is a right side elevational view thereof;
FIG. 5 is a rear elevational view thereof;
FIG. 6 is a left side elevational view thereof;
FIG. 7 is a top view thereof; and,
FIG. 8 is a bottom view thereof.
The broken line showing of a bin illustrates the environment of the design and forms no part of the claim.

1 Claim, 5 Drawing Sheets



(56)

References Cited

U.S. PATENT DOCUMENTS

D852,276 S *	6/2019	Lim	D20/10
2005/0102871 A1 *	5/2005	Merle	G09F 13/20
				40/542
2005/0155887 A1 *	7/2005	Bazany	B65D 25/205
				206/459.5
2007/0289186 A1 *	12/2007	Wallace	G09F 3/14
				40/661

* cited by examiner

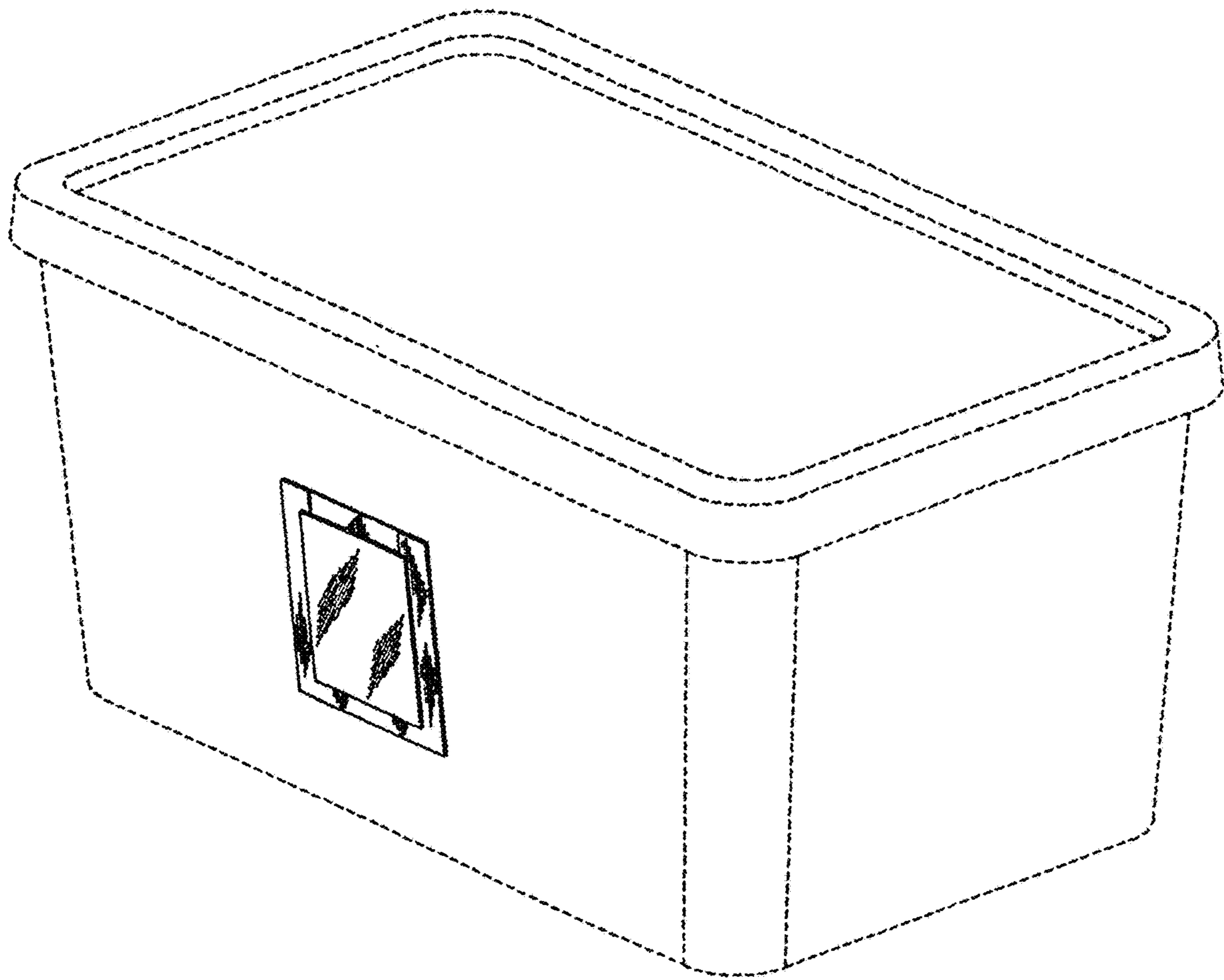


FIG 1

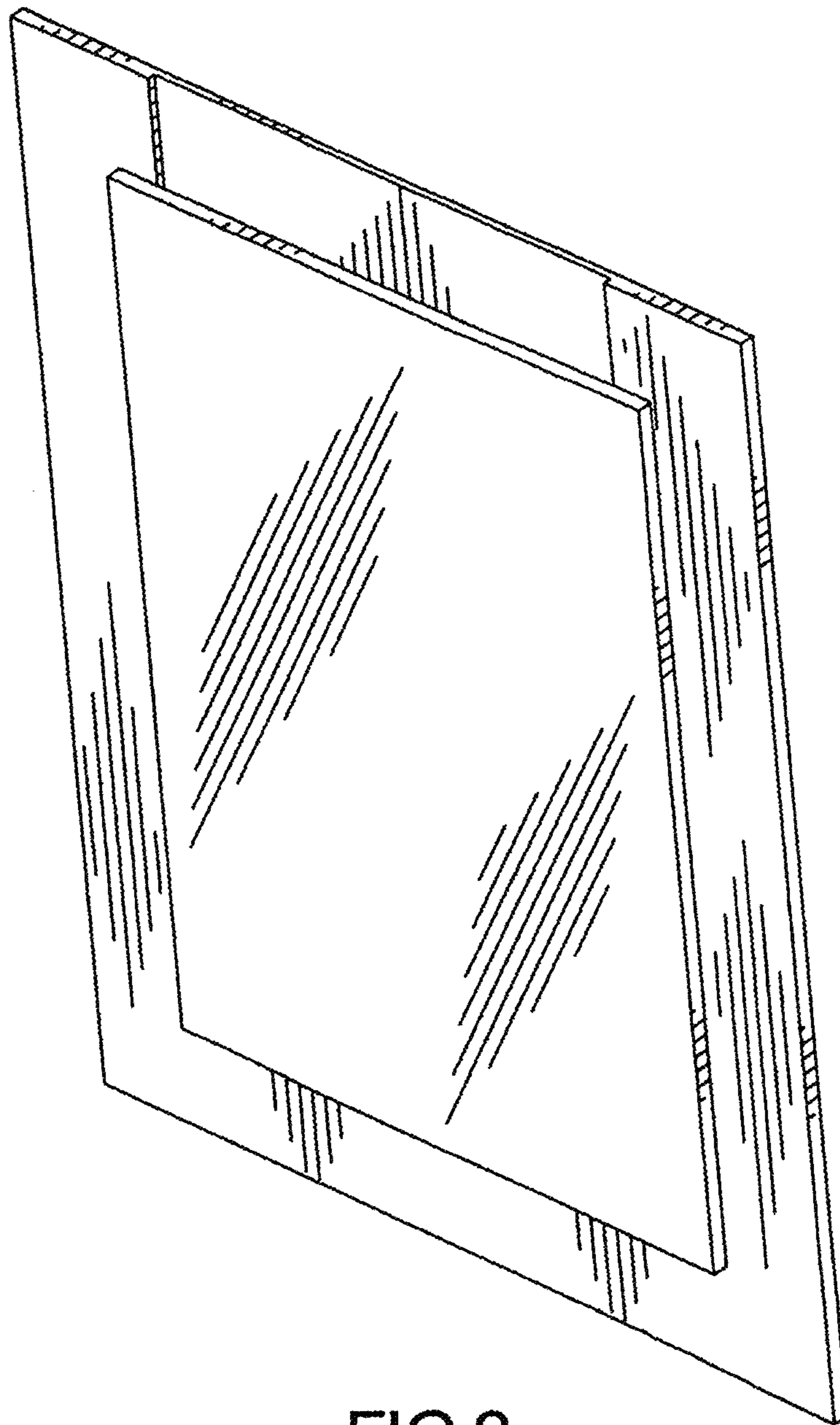


FIG 2

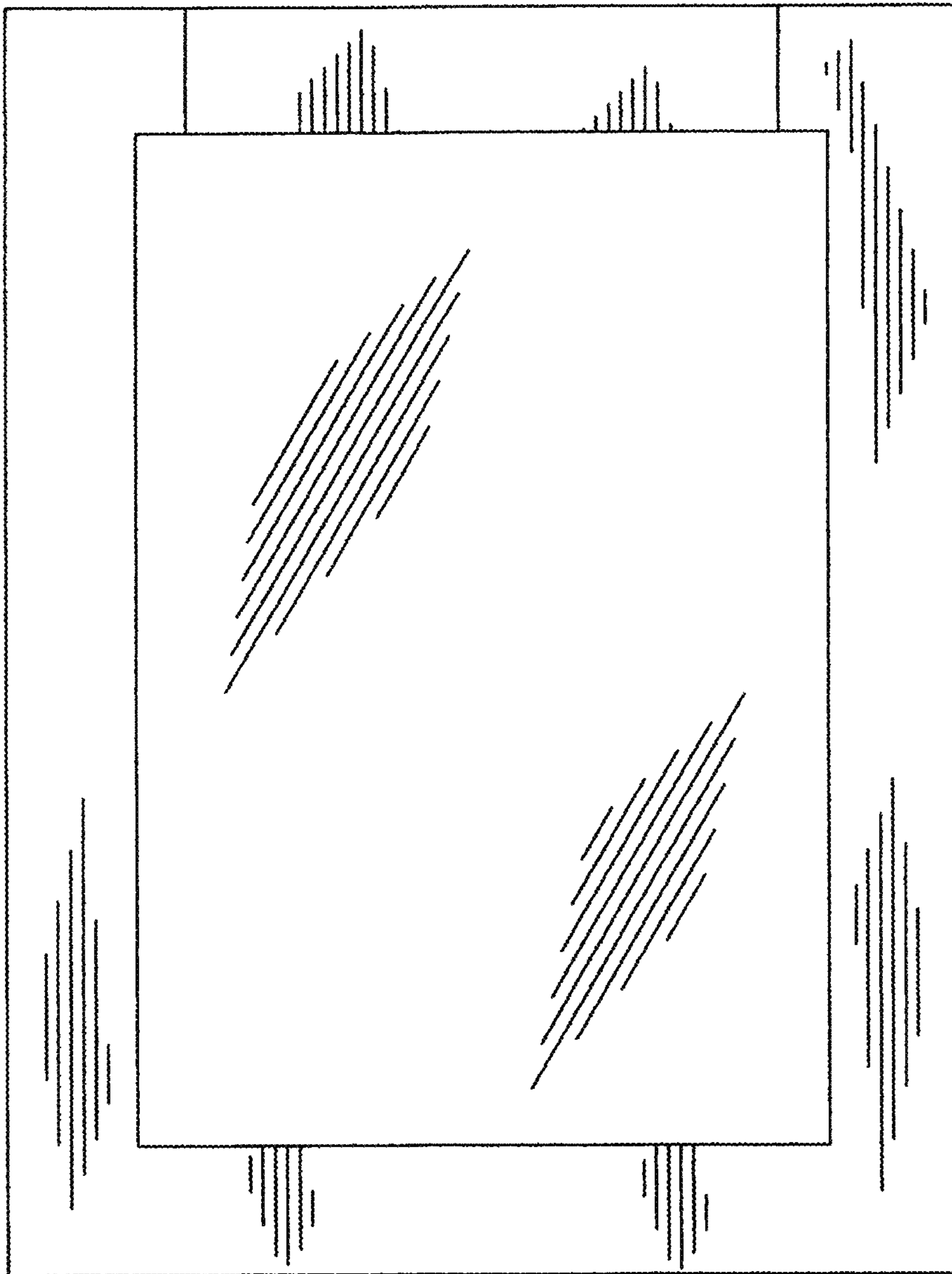


FIG 3



FIG 4

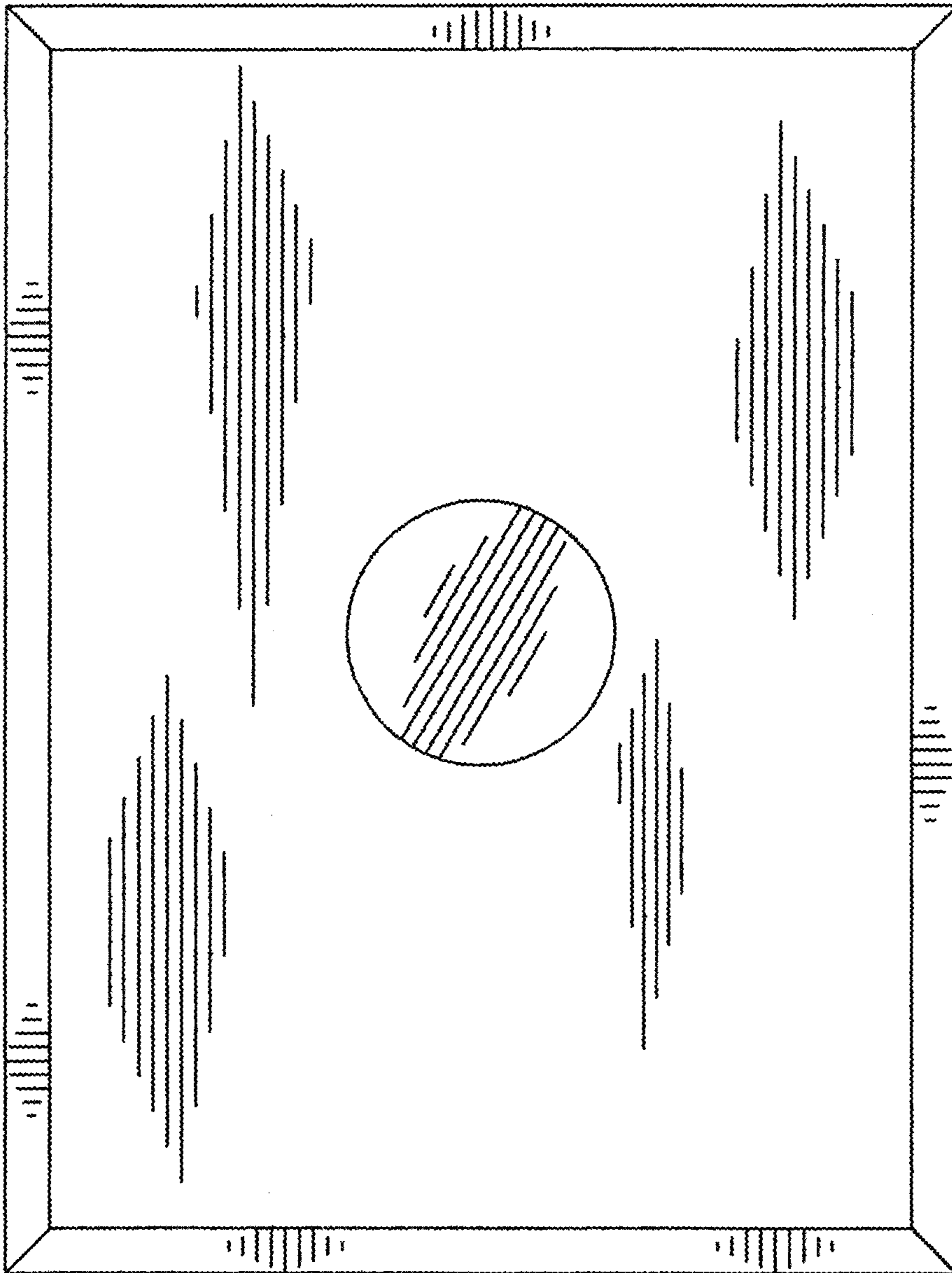


FIG 5



FIG 6

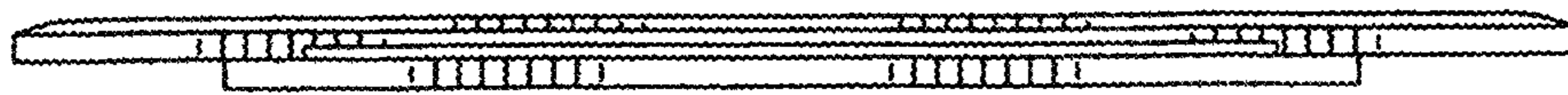


FIG 7



FIG 8