



US00D883670S

(12) **United States Design Patent** (10) **Patent No.:** **US D883,670 S**
Perella et al. (45) **Date of Patent:** **** May 12, 2020**

(54) **FOLDABLE BOX**

(71) Applicant: **IdeaStream Consumer Products, LLC**, Cleveland, OH (US)
 (72) Inventors: **Daniel V. Perella**, Cleveland, OH (US); **Benjamin Hietanen**, Cleveland, OH (US); **Zhenghong Li**, Shenzhen (CN); **Jensen Tuen**, Fanling (HK); **Jinyuan Li**, Shenzhen (CN)

(73) Assignee: **IdeaStream Consumer Products, LLC**, Cleveland, OH (US)

(**) Term: **15 Years**

(21) Appl. No.: **29/631,685**

(22) Filed: **Jan. 2, 2018**

(51) **LOC (12) Cl.** **03-01**

(52) **U.S. Cl.**
USPC **D3/299**

(58) **Field of Classification Search**
 USPC D3/201–202, 205–206, 217–219, D3/221–227, 230, 232–234, 238, 239, D3/242, 244–265, 269, 271, 271.9, D3/271.11, 271.12, 271.4, 273–274, 276, D3/282–288, 290–291, 293–304, 306, D3/315, 317, 321, 323, 900; D9/420–433, 414, 415, 416, 418; D7/601, 609; D27/186; 206/543, 549, 206/66
 CPC B65D 5/3664; B65D 5/241; B65D 5/2052; B65D 5/6673; B65D 1/00; B65D 1/22; B65D 1/225; B65D 5/00; B65D 5/66; B65D 5/665; B65D 5/42; B65D 5/6605; B65D 43/162; B65D 81/3813; B65D 81/3848; B31B 50/814; B31B 50/0044; B31B 50/62; B31B 50/73

See application file for complete search history.

(56) **References Cited**

U.S. PATENT DOCUMENTS

8,608,050 B2 * 12/2013 Seliger B65D 5/2009 229/117.16
 D815,343 S * 4/2018 Kesselman D27/187
 (Continued)

Primary Examiner — Anhdao Doan
Assistant Examiner — Mary Shannon Malley
 (74) *Attorney, Agent, or Firm* — Fay Sharpe LLP

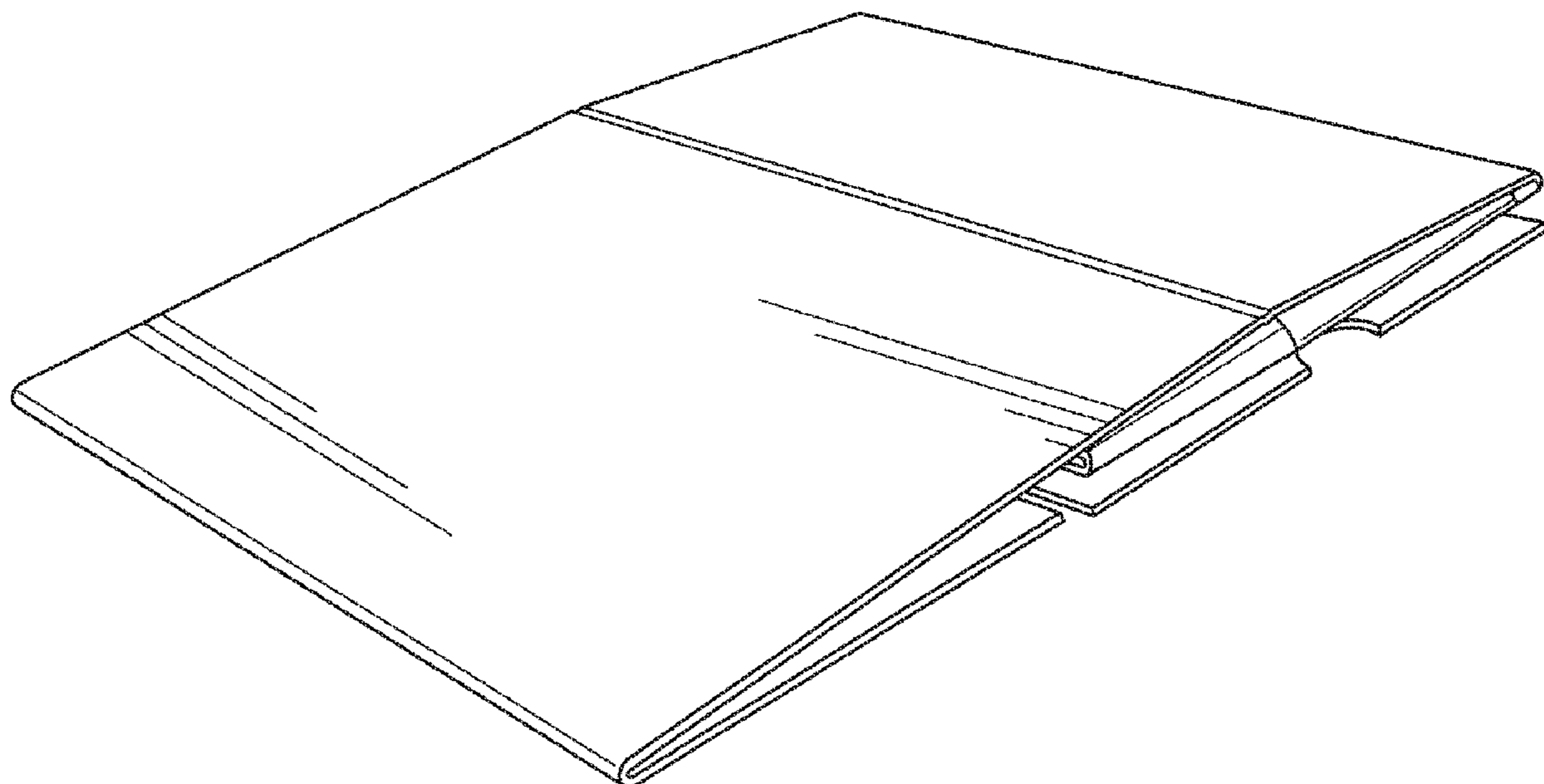
(57) **CLAIM**

The ornamental design for a foldable box, as shown and described.

DESCRIPTION

FIG. 1 is a top perspective view of a foldable box in a folded and unassembled configuration;
 FIG. 2 is a top perspective view of the foldable box of FIG. 1 shown with one of the flaps unfolded, and in an unassembled configuration;
 FIG. 3 is a bottom perspective view thereof, shown with the side flaps unfolded, and in an unassembled configuration;
 FIG. 4 is a front perspective view thereof, shown rotated opposite FIG. 3, in a partially folded and assembled configuration;
 FIG. 5 is a front perspective view thereof, in a folded and assembled configuration with the lid open;
 FIG. 6 is a front perspective view thereof with the lid shown closed;
 FIG. 7 is a front plan view of the foldable box of FIG. 6;
 FIG. 8 is a top plan view of the foldable box of FIG. 6;
 FIG. 9 is a bottom plan view of the foldable box of FIG. 6;
 FIG. 10 is a back plan view of the foldable box of FIG. 6;
 FIG. 11 is a side plan view of the foldable box of FIG. 6; and,
 FIG. 12 is an opposite side plan view of the foldable box of FIG. 6.

1 Claim, 8 Drawing Sheets



(56)

References Cited

U.S. PATENT DOCUMENTS

D828,156 S * 9/2018 Perella D9/432
D829,096 S * 9/2018 Perella D9/433
D829,097 S * 9/2018 Perella D9/433
D833,867 S * 11/2018 Perella D9/432
D850,908 S * 6/2019 Perella D9/432
D858,274 S * 9/2019 Perella D9/432
2009/0095800 A1* 4/2009 Tao B65D 5/22
229/117.03
2018/0244424 A1* 8/2018 Perella B65D 5/3664

* cited by examiner

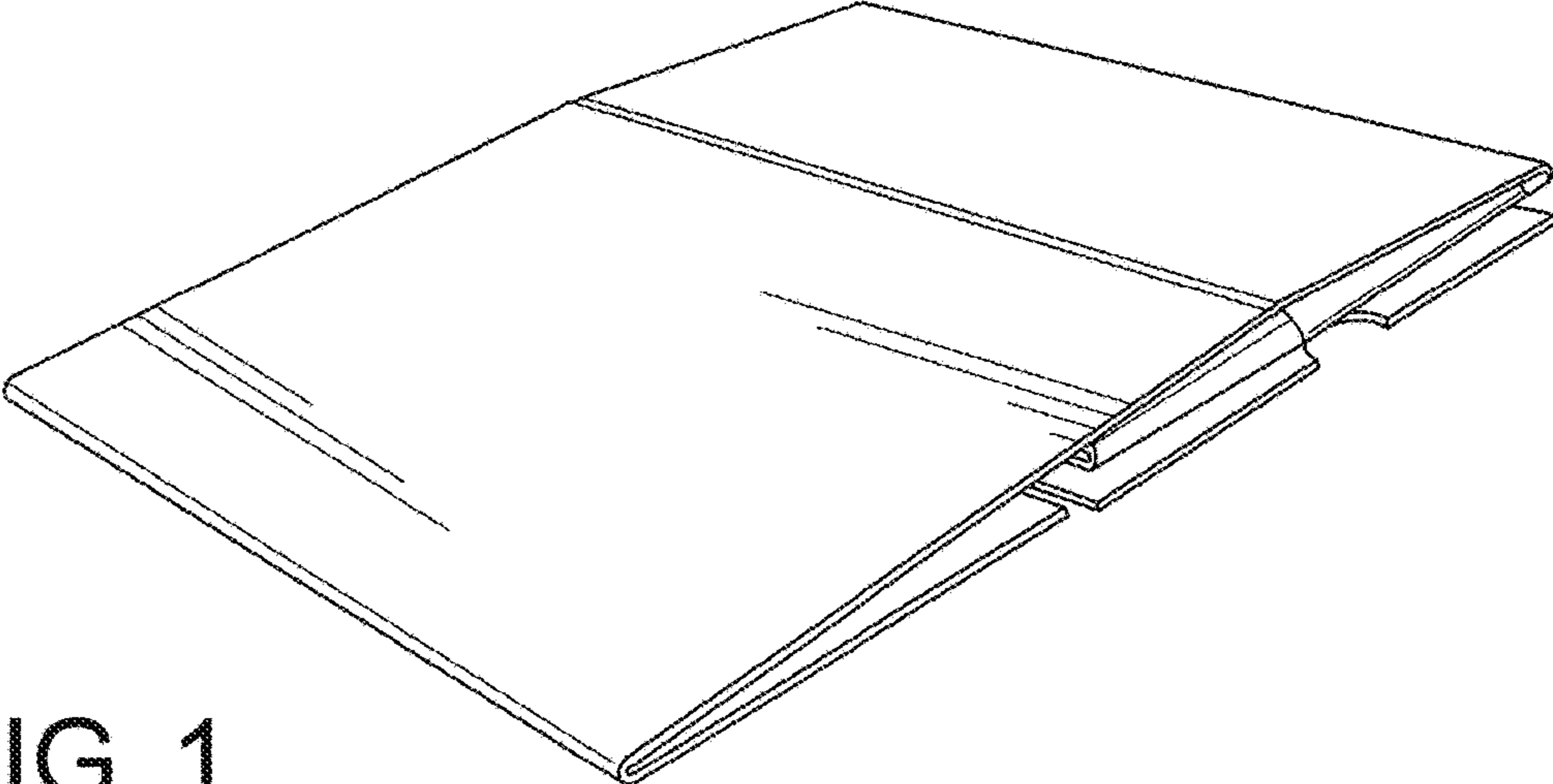


FIG. 1

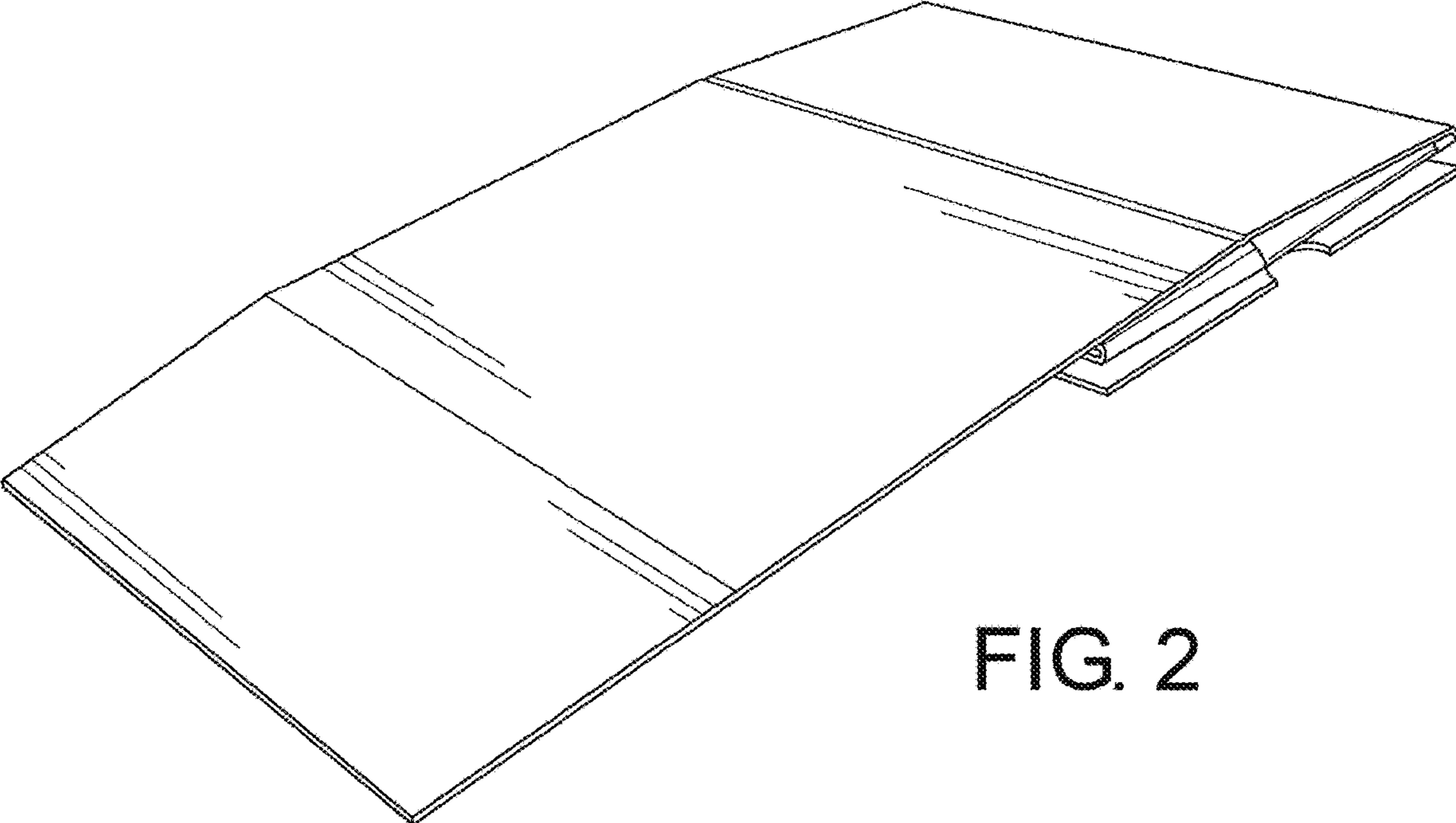


FIG. 2

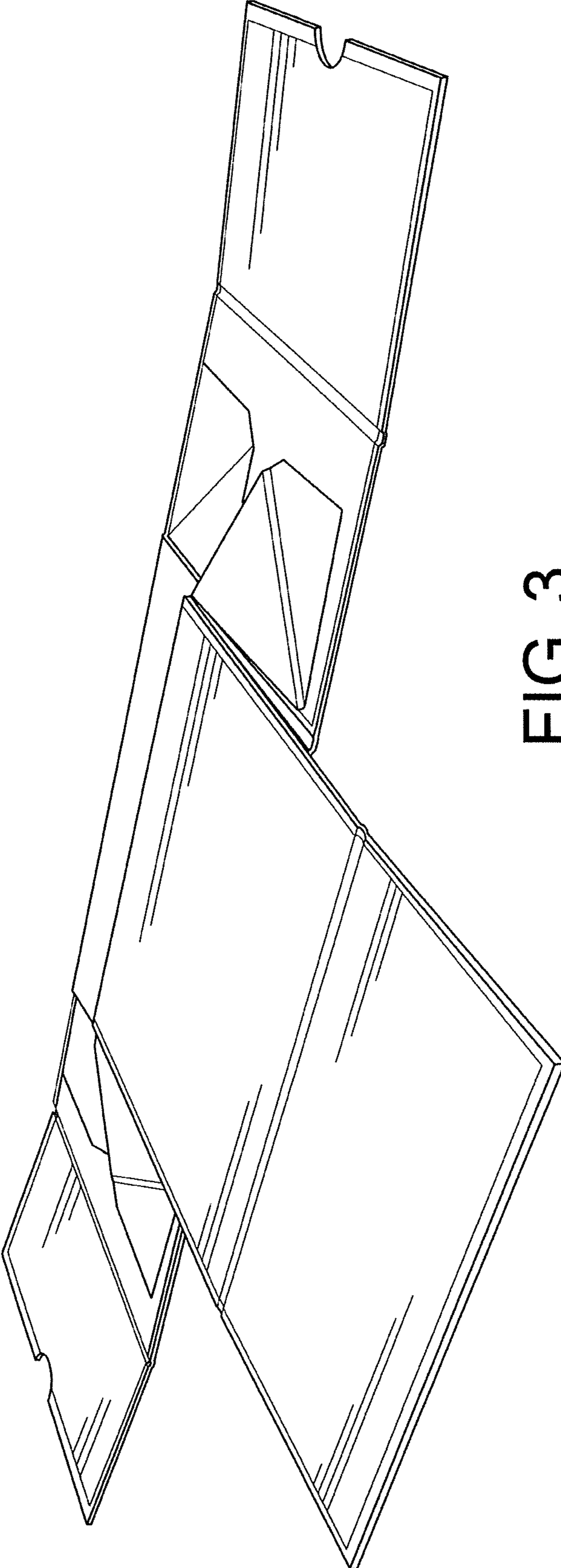


FIG. 3

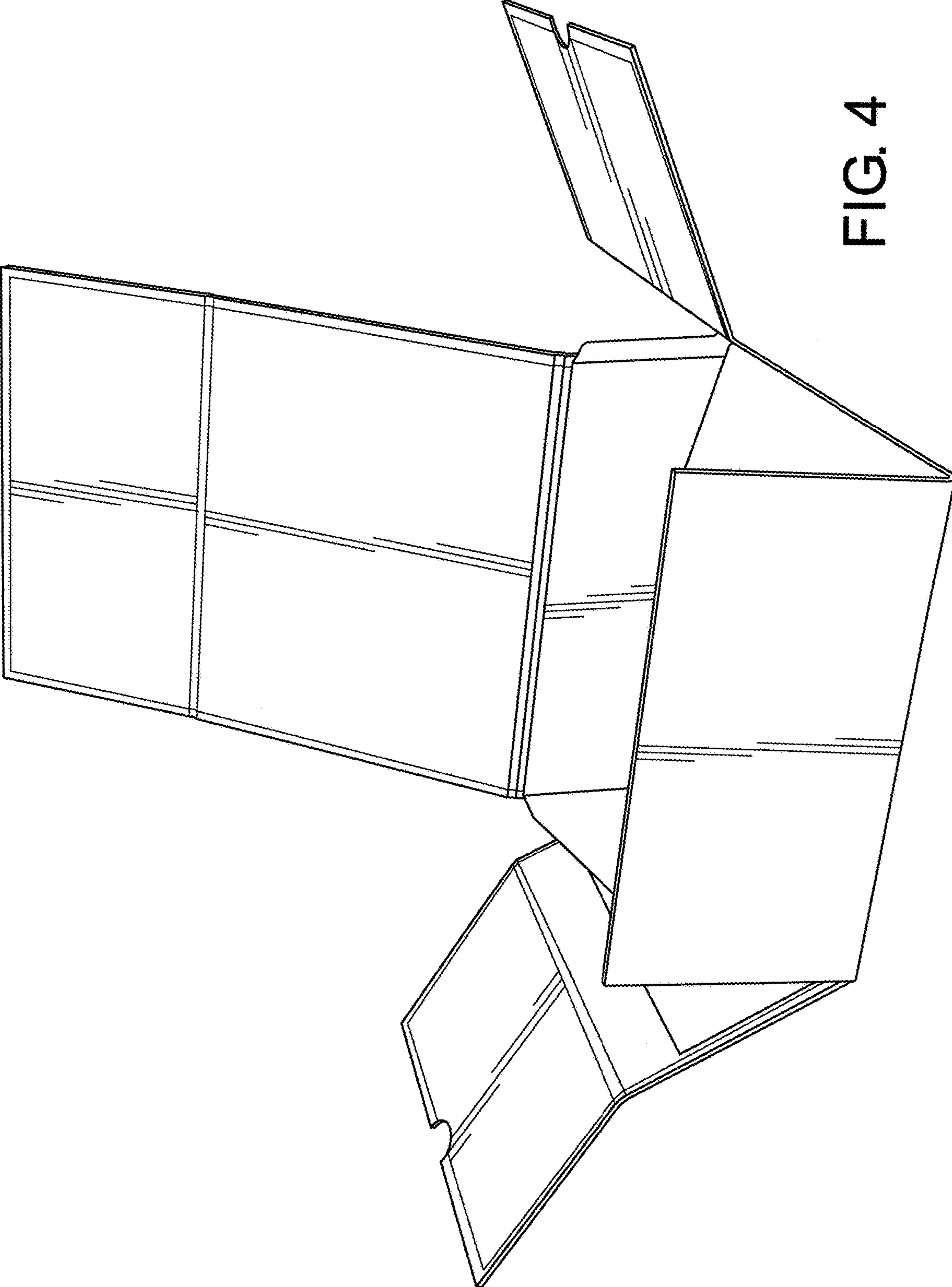


FIG. 4

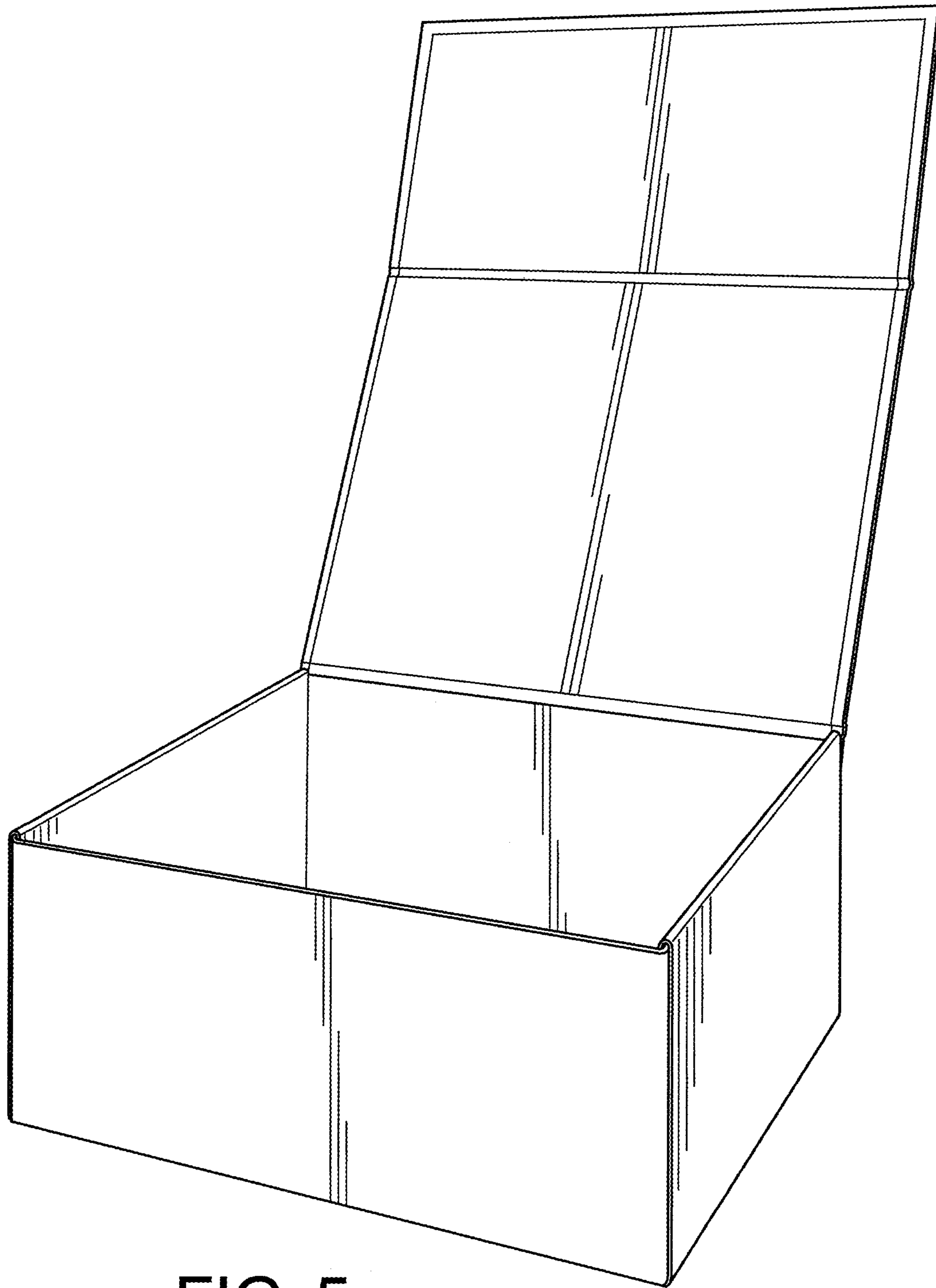


FIG. 5

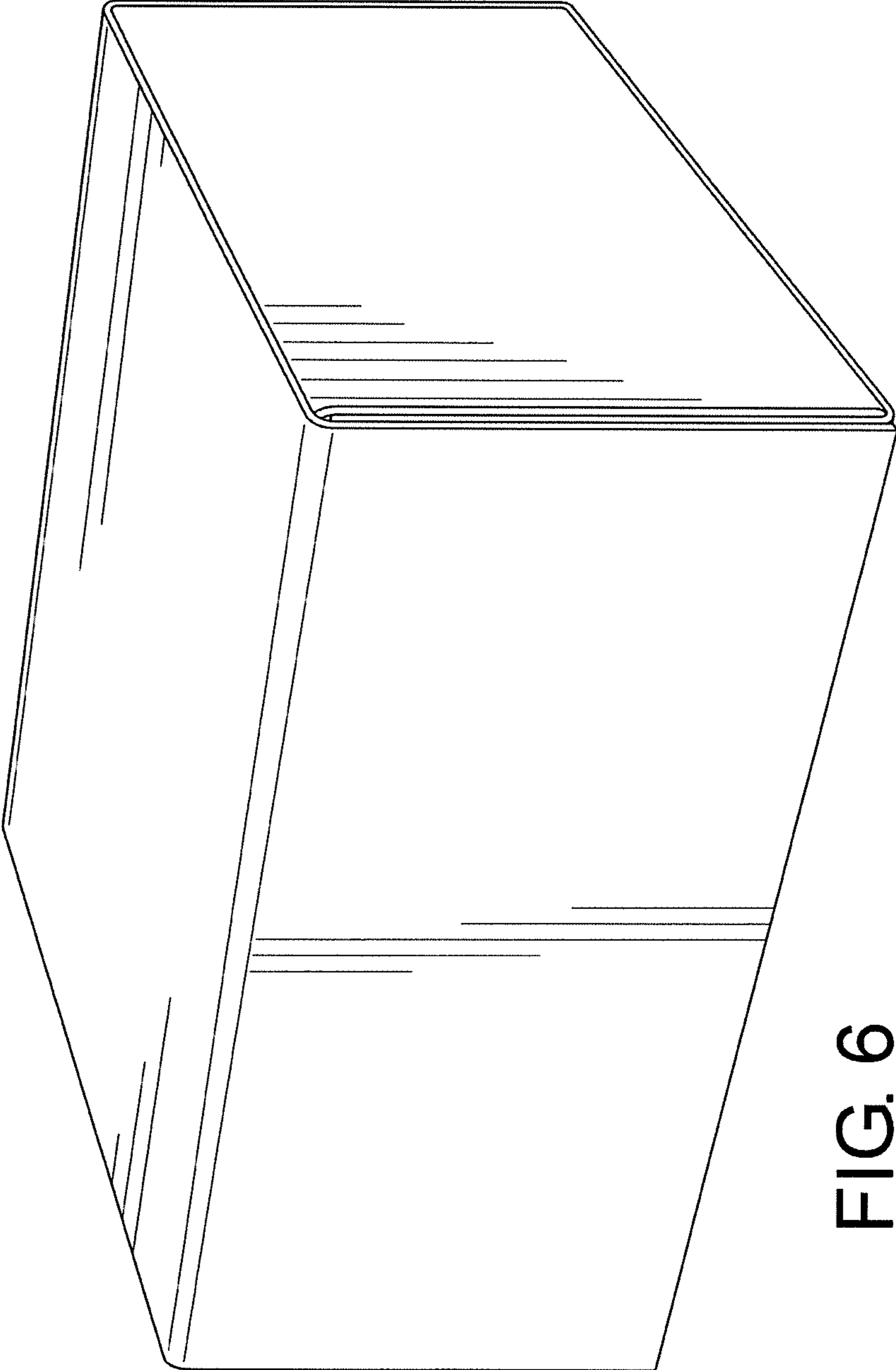


FIG. 6

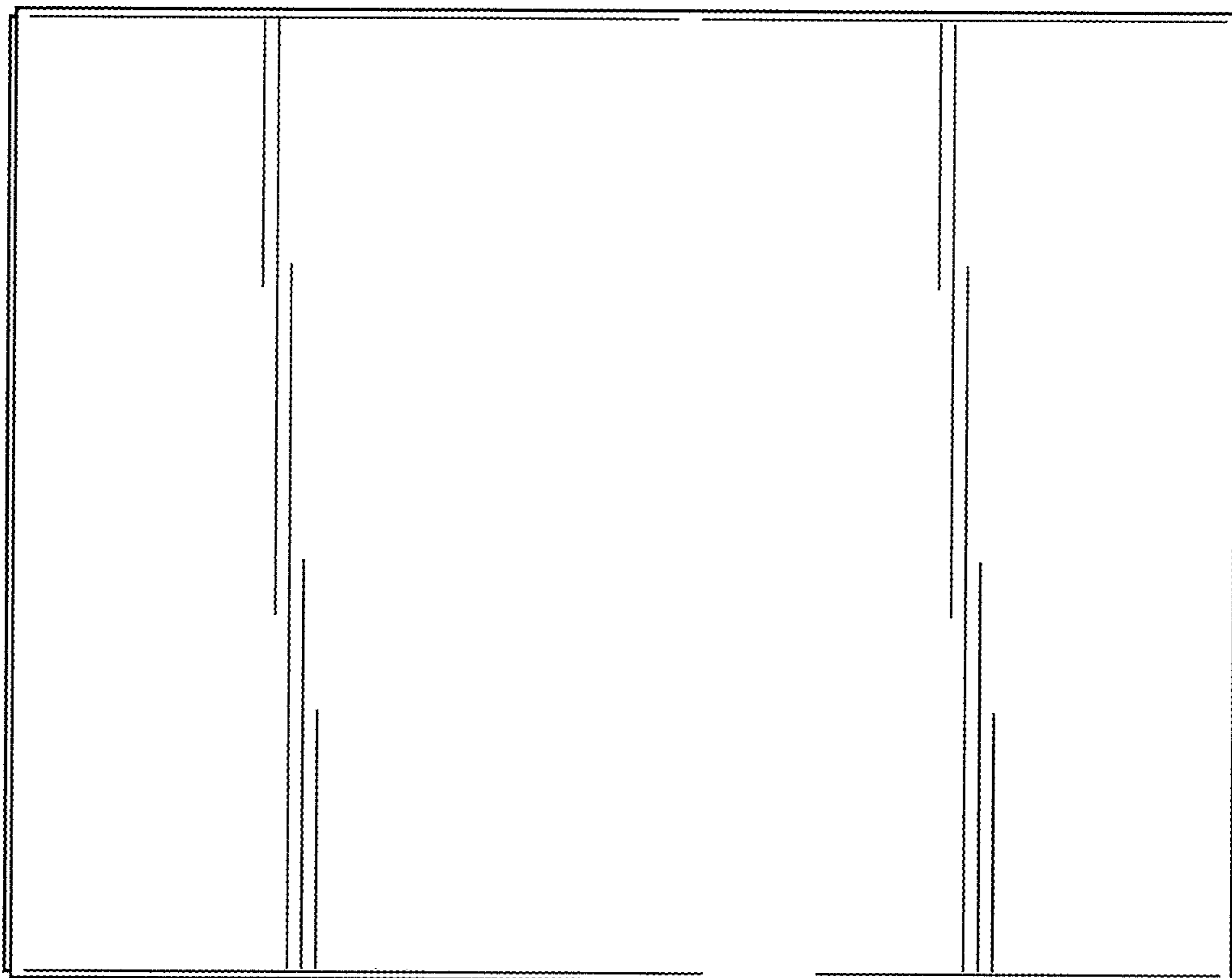


FIG. 8

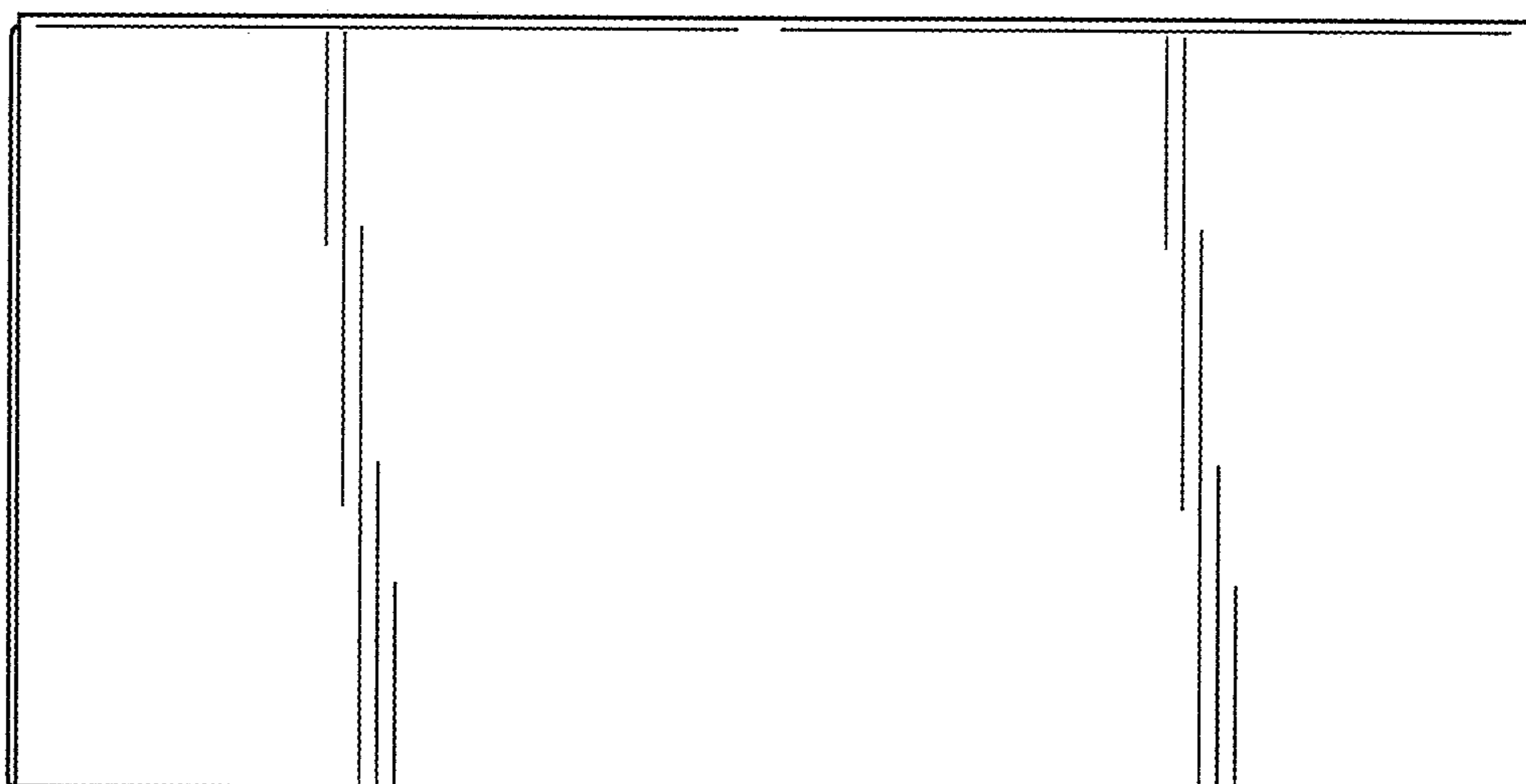


FIG. 7

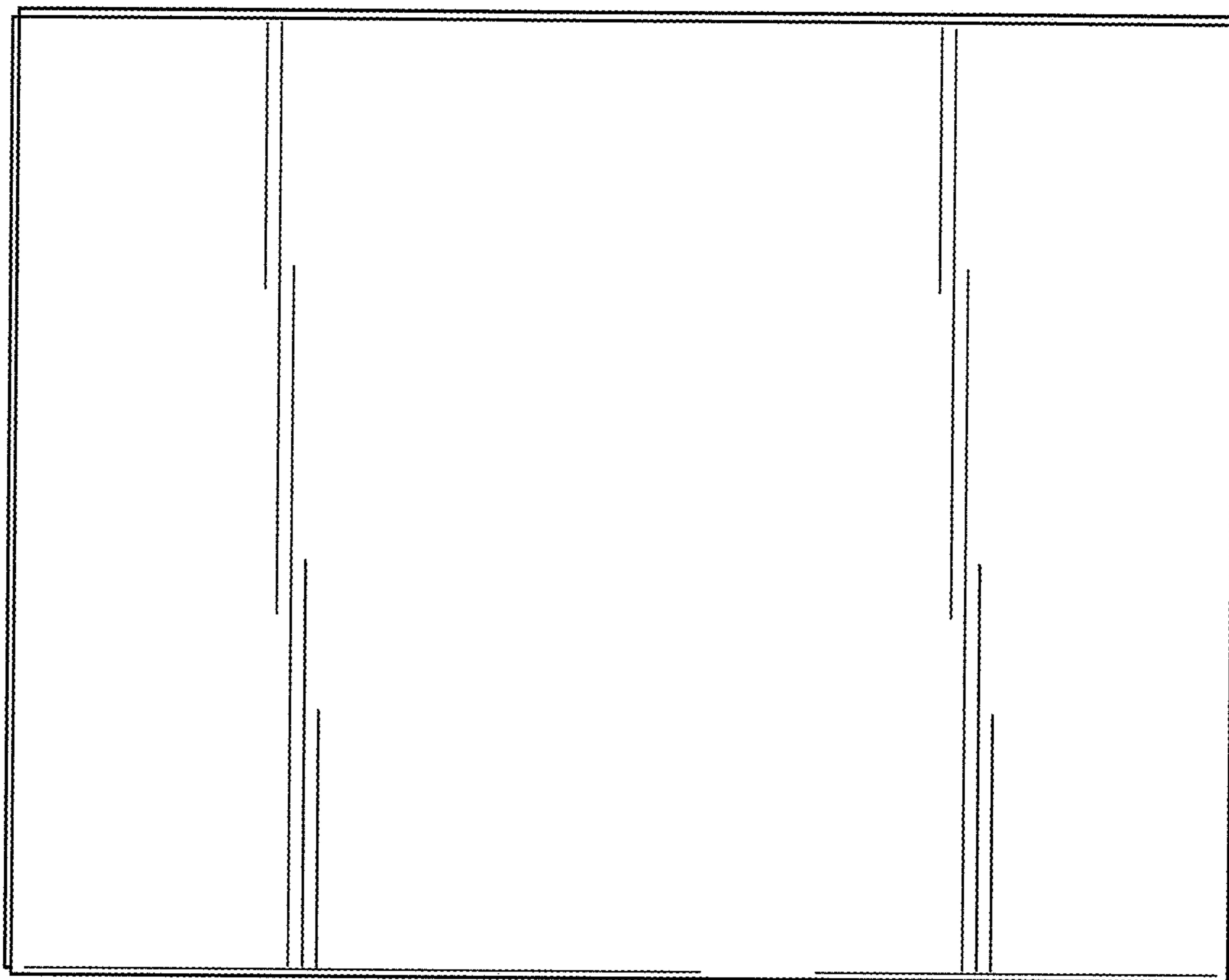


FIG. 9

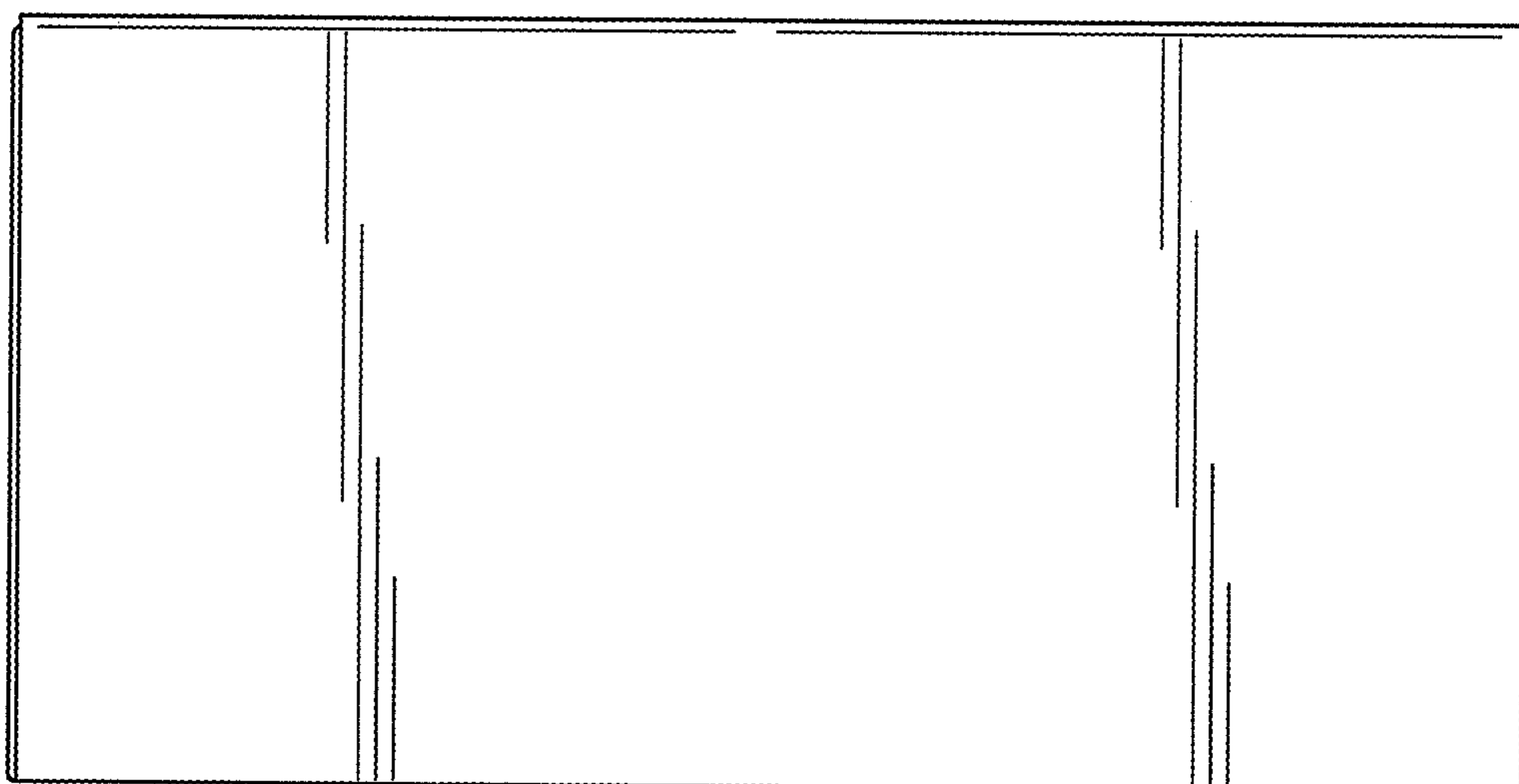


FIG. 10

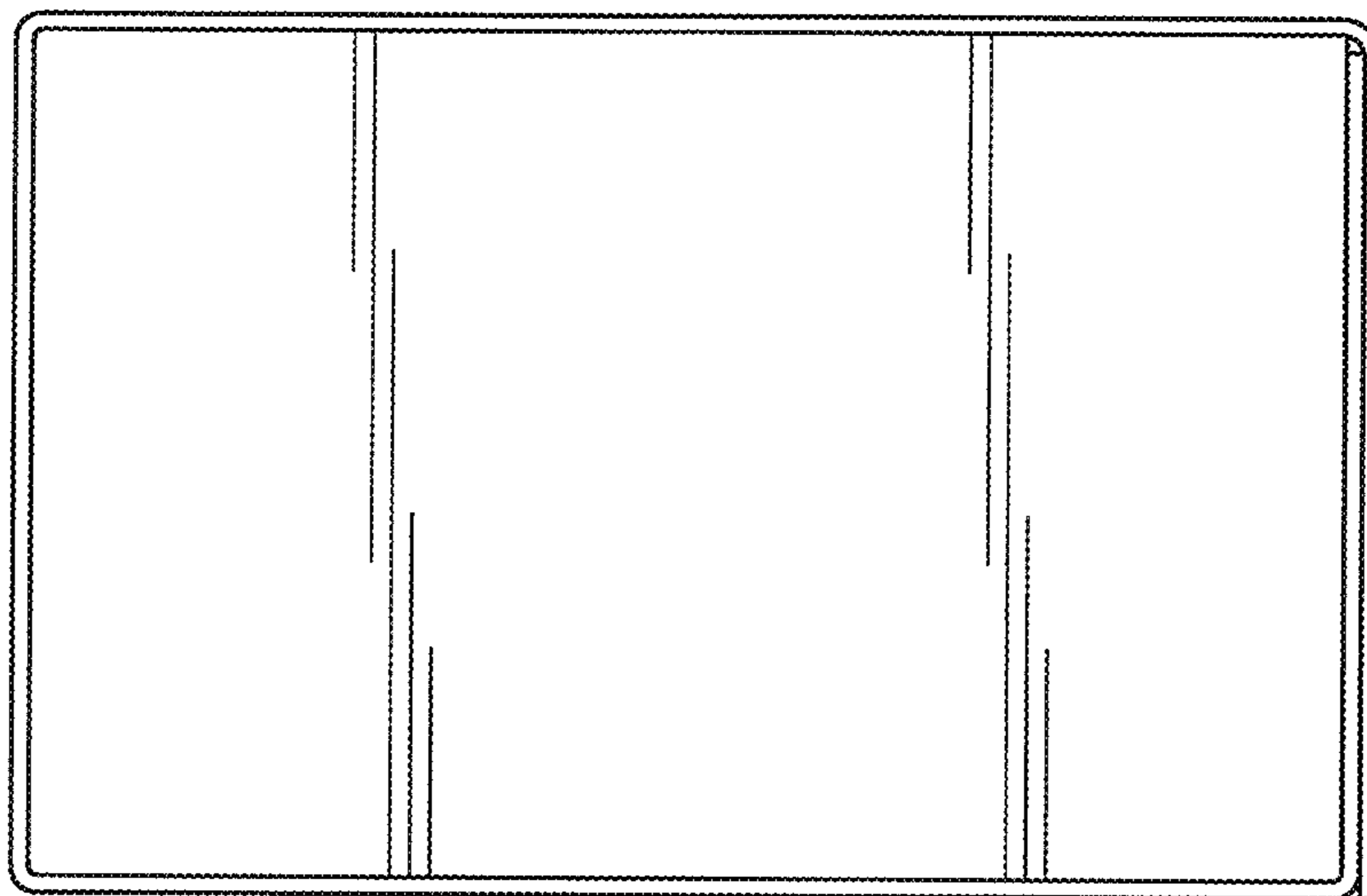


FIG. 11

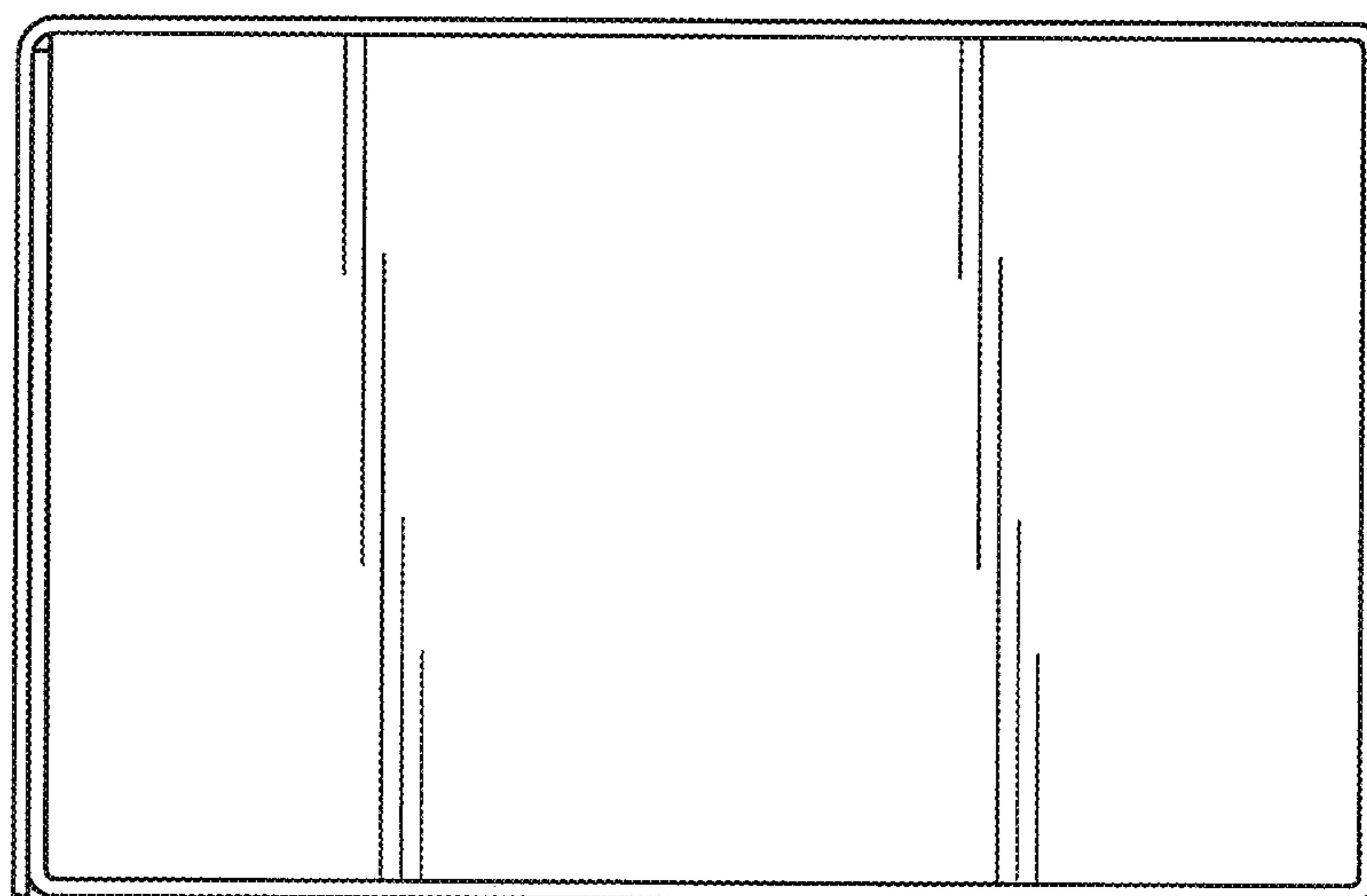


FIG. 12