



US00D883669S

(12) **United States Design Patent** (10) **Patent No.:** **US D883,669 S**
Sakai (45) **Date of Patent:** **** May 12, 2020**

(54) **CASE FOR TOY BEADS**
(71) Applicant: **EPOCH COMPANY LTD**, Tokyo (JP)
(72) Inventor: **Ryo Sakai**, Tokyo (JP)
(73) Assignee: **EPOCH COMPANY LTD**, Tokyo (JP)
(**) Term: **15 Years**

(74) *Attorney, Agent, or Firm* — Fitzgerald IP Law; John K Fitzgerald

(21) Appl. No.: **29/684,528**
(22) Filed: **Mar. 21, 2019**
(51) **LOC (12) Cl.** **03-01**
(52) **U.S. Cl.**
USPC **D3/294**
(58) **Field of Classification Search**
USPC D3/201, 203.1, 203.2, 273, 274, 284,
D3/285, 291, 289, 302, 276, 294, 295,
D3/298, 318, 901, 902, 903, 270;
D28/82, 7
CPC ... A45C 5/00; A45C 2011/001; A45C 13/002;
A45C 5/08; A45C 11/00; H04R 1/1025;
H04R 1/1033
See application file for complete search history.

(57) **CLAIM**

The ornamental design for a case for toy beads, as shown and described.

DESCRIPTION

FIG. 1 is a perspective view of portions of the front, top, and right sides of a case for toy beads showing my new design; FIG. 2 is a perspective view of portions of the rear, bottom, and left sides thereof; FIG. 3 is a front view thereof; FIG. 4 is a rear view thereof; FIG. 5 is a top view thereof; FIG. 6 is a bottom view thereof; FIG. 7 is a right side view thereof; FIG. 8 is a left side view thereof; FIG. 9 is a perspective view of the case for toy beads of FIG. 1 showing a front portion and a rear portion of the case opened 180 degrees; FIG. 10 is a perspective view of portions of the front, top, and right side of the case for toy beads, showing an alternative tab design; FIG. 11 is a perspective view of portions of the rear, bottom, and left sides of the case for toy beads of FIG. 10; FIG. 12 is a front view of the case for toy beads of FIG. 10; FIG. 13 is a rear view of the case for toy beads of FIG. 10; FIG. 14 is a top view of the case for toy beads of FIG. 10; FIG. 15 is a bottom view of the case for toy beads of FIG. 10; FIG. 16 is right side view of the case for toy beads of FIG. 10; FIG. 17 is a left side view of the case for toy beads of FIG. 10; and, FIG. 18 is a perspective view of the case for toy beads of FIG. 10 showing a front portion and a rear portion of the case, opened 180 degrees.

(56) **References Cited**

U.S. PATENT DOCUMENTS

D253,218 S * 10/1979 Johnson D7/352
D322,031 S * 12/1991 Fleming D3/294
D355,657 S * 2/1995 Scheid D14/191
D423,772 S * 5/2000 Cooper D3/201
D474,340 S * 5/2003 Vasudeva D3/276

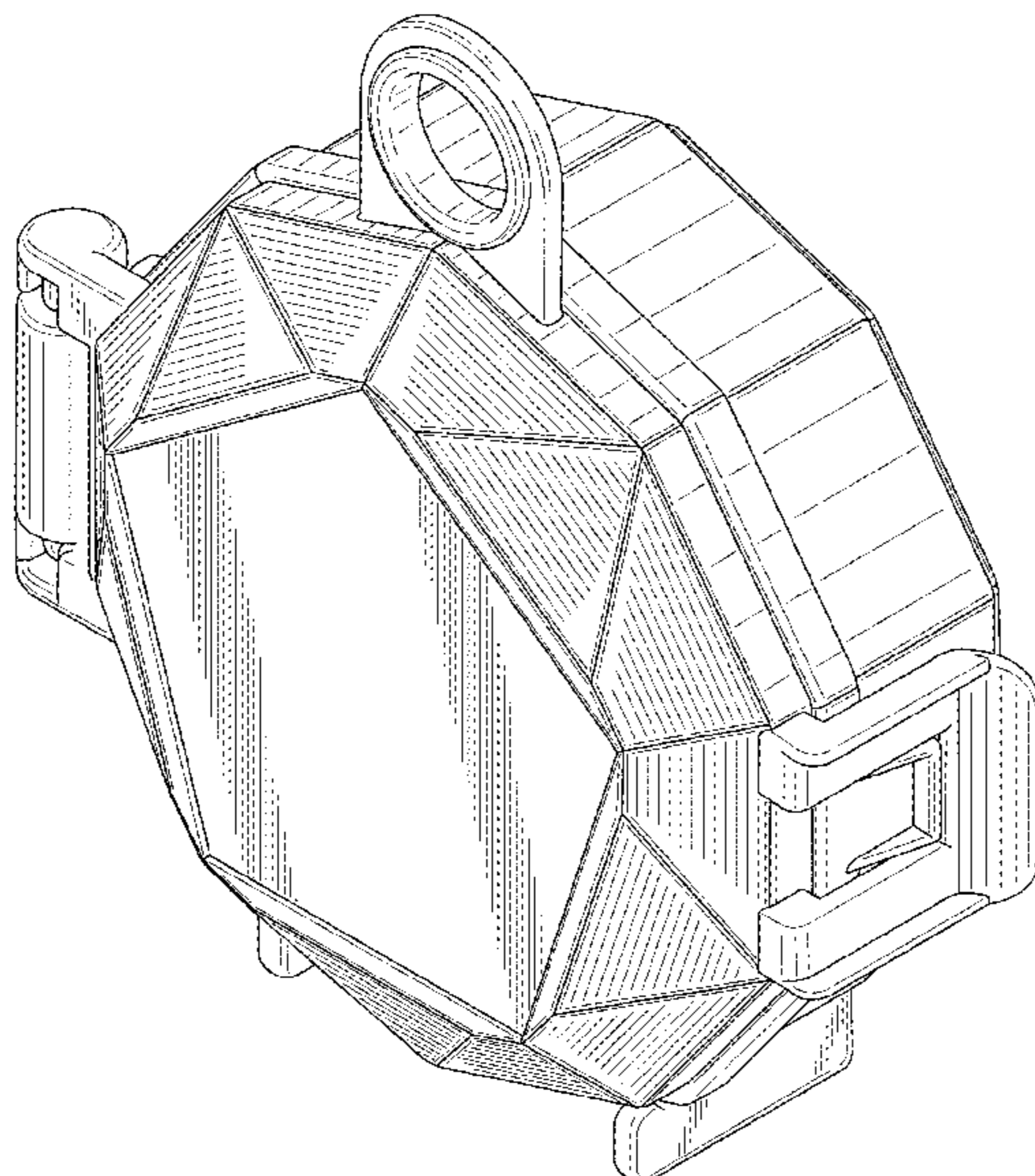
(Continued)

OTHER PUBLICATIONS

AquaBeads, "Star beads debut set", accessed Feb. 12, 2020. (<https://www.aquabeadsart.com/ja-jp/item/AQ-S83>) (Year: 2020).*

Primary Examiner — April Rivas

1 Claim, 18 Drawing Sheets



(56)

References Cited

U.S. PATENT DOCUMENTS

D524,153	S	*	7/2006	Reinhard	D9/428
D550,077	S	*	9/2007	Lagreca	D9/428
D561,470	S	*	2/2008	Jalet	D3/294
D600,913	S	*	9/2009	Kalbach	D3/215
D681,877	S	*	5/2013	Curry	D28/7
D692,282	S	*	10/2013	George	D7/629
D806,395	S	*	1/2018	Jacob	D3/321
D828,749	S	*	9/2018	Swegle	B65D 21/022
						D9/415
D840,945	S	*	2/2019	Chang	D13/152
D851,913	S	*	6/2019	Yu	D3/201
D858,101	S	*	9/2019	Williams	D3/294
D871,069	S	*	12/2019	Carlson	D3/294
D872,473	S	*	1/2020	Yu	D3/279
D872,475	S	*	1/2020	Yu	D3/279

* cited by examiner

FIG. 1

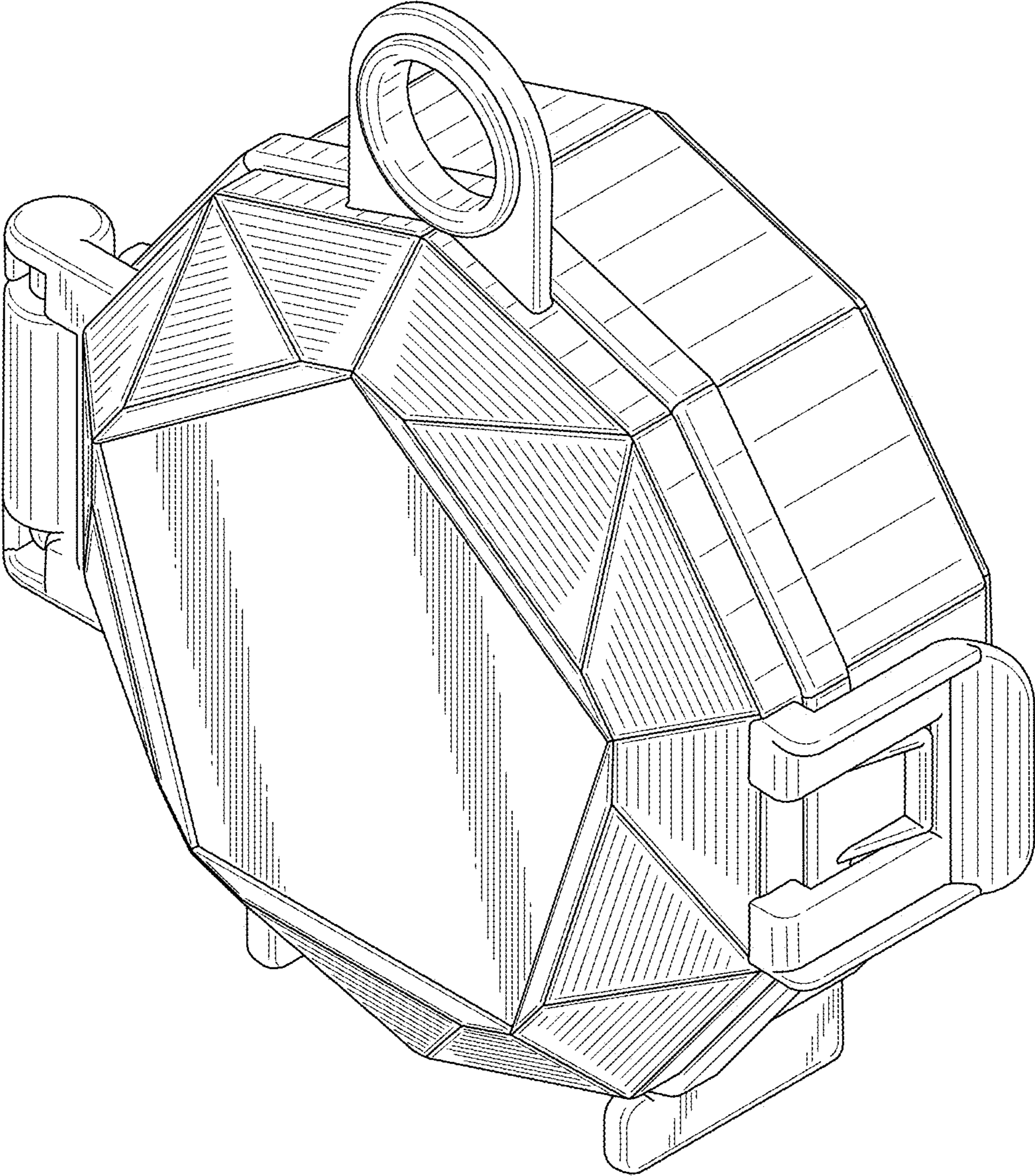


FIG. 2

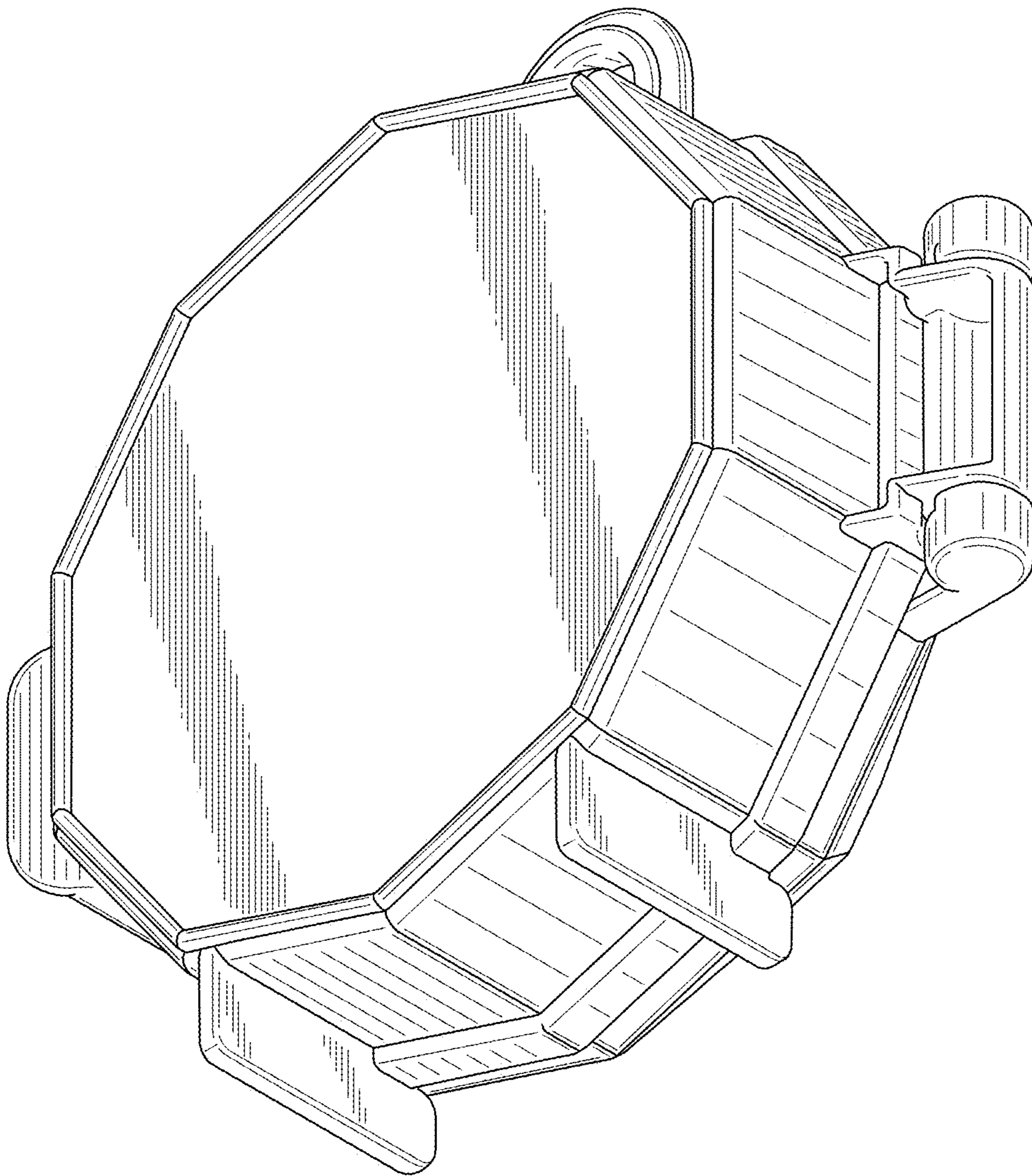


FIG. 3

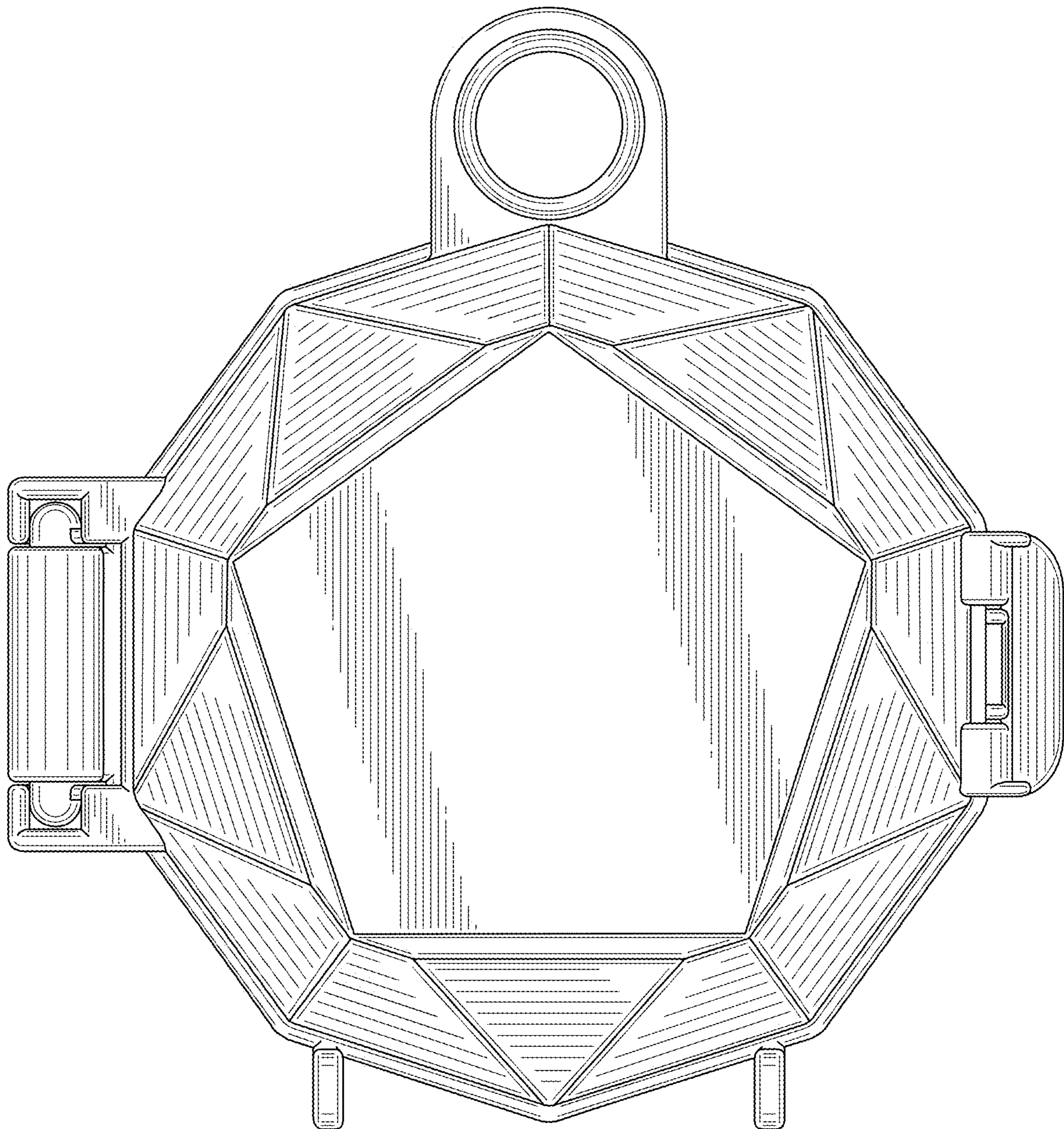


FIG. 4

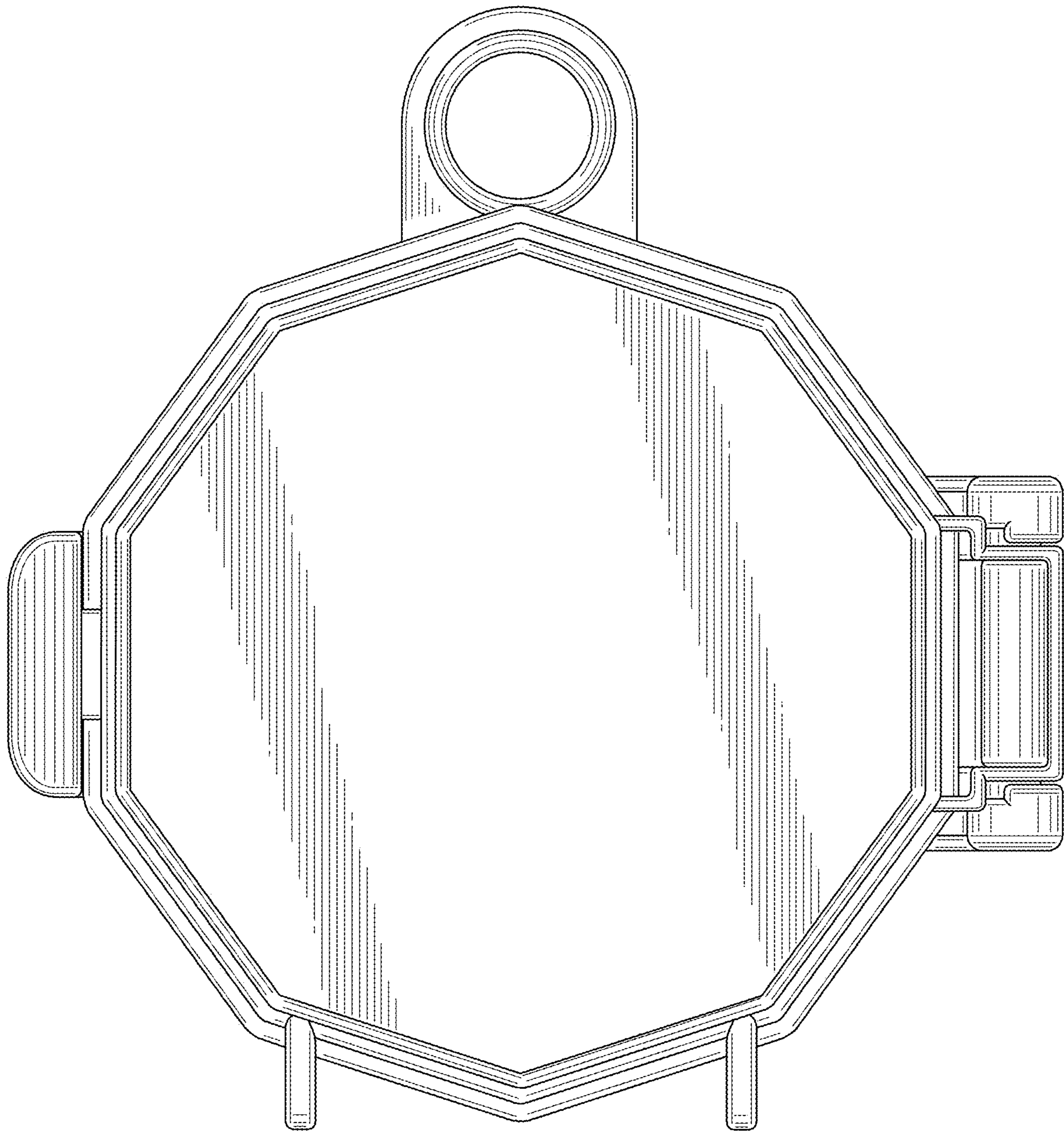


FIG. 5

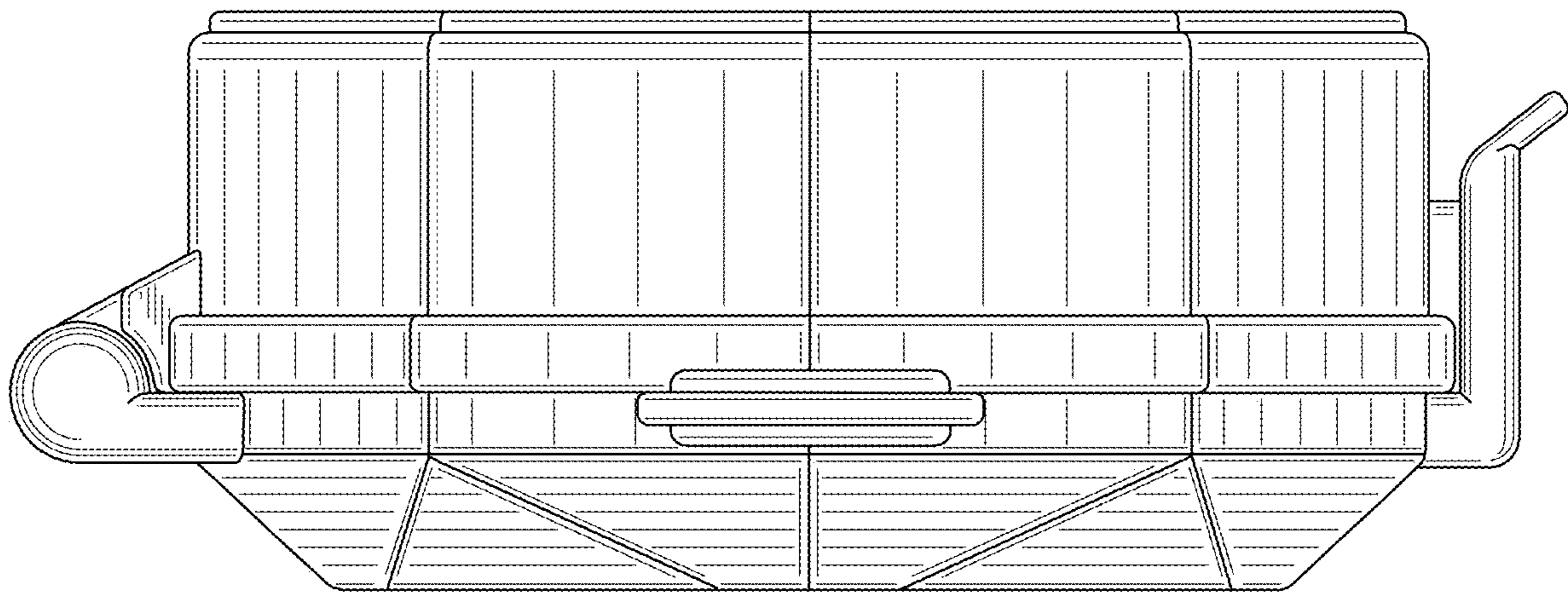


FIG. 6

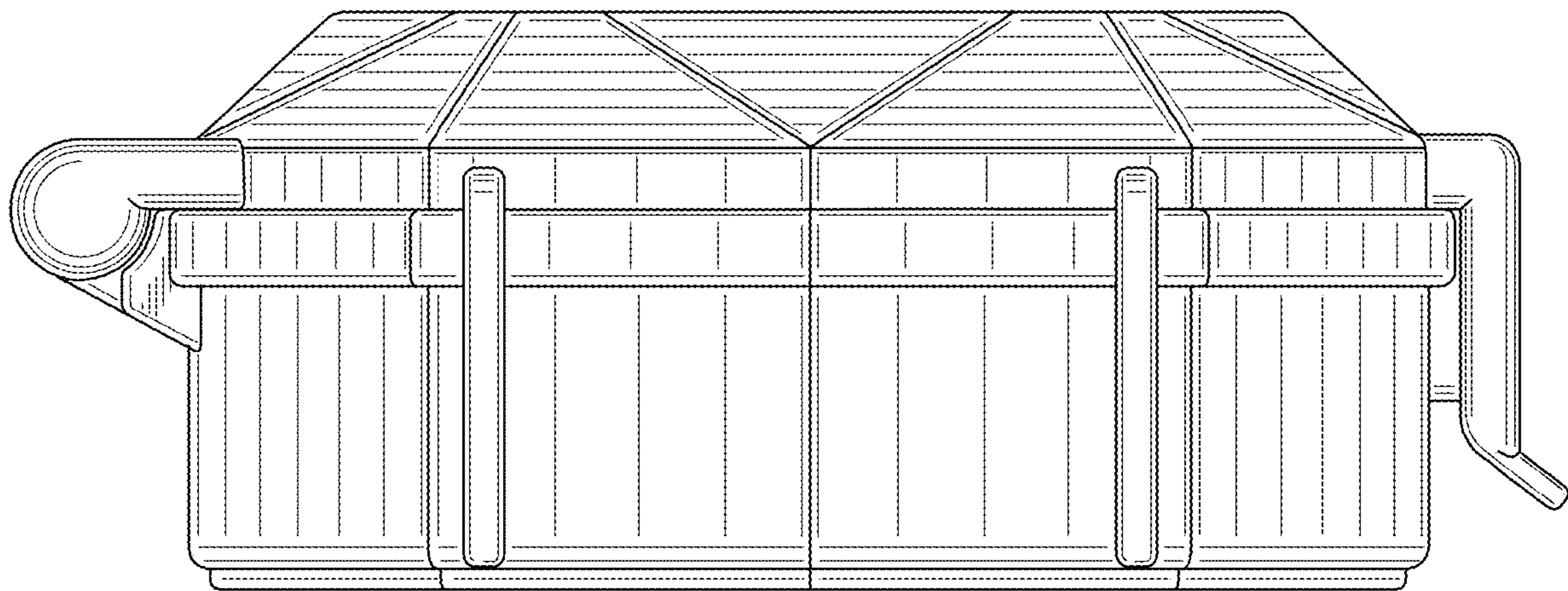


FIG. 7

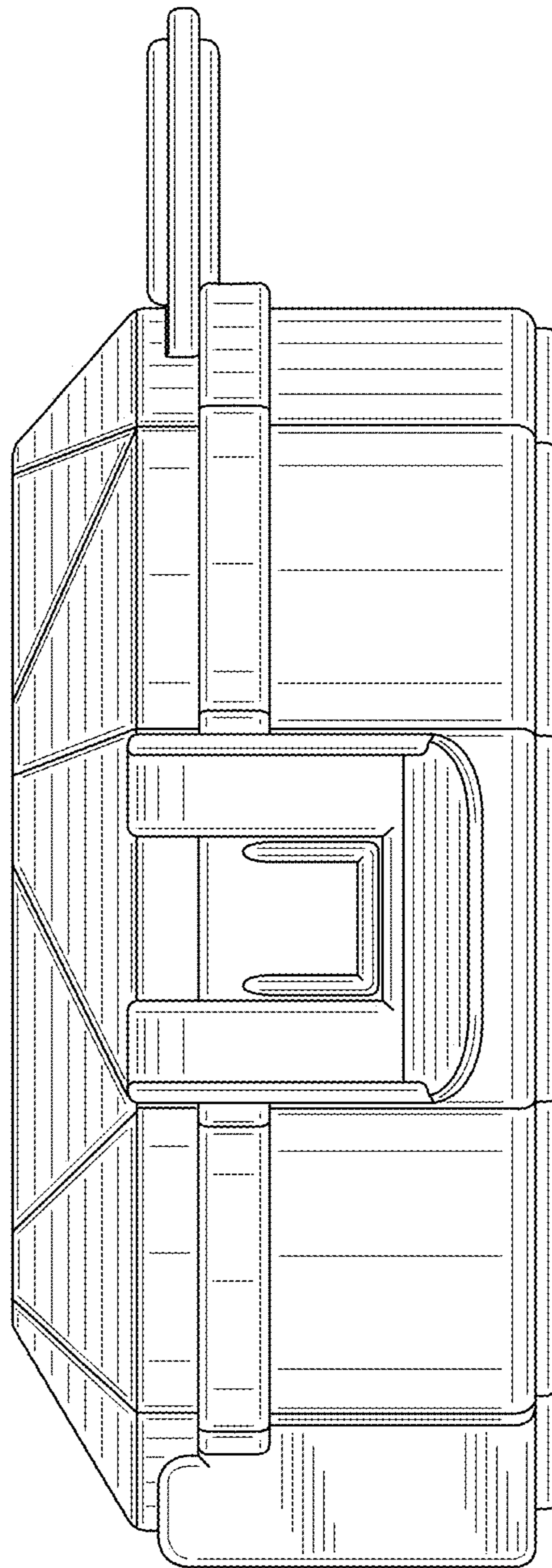


FIG. 8

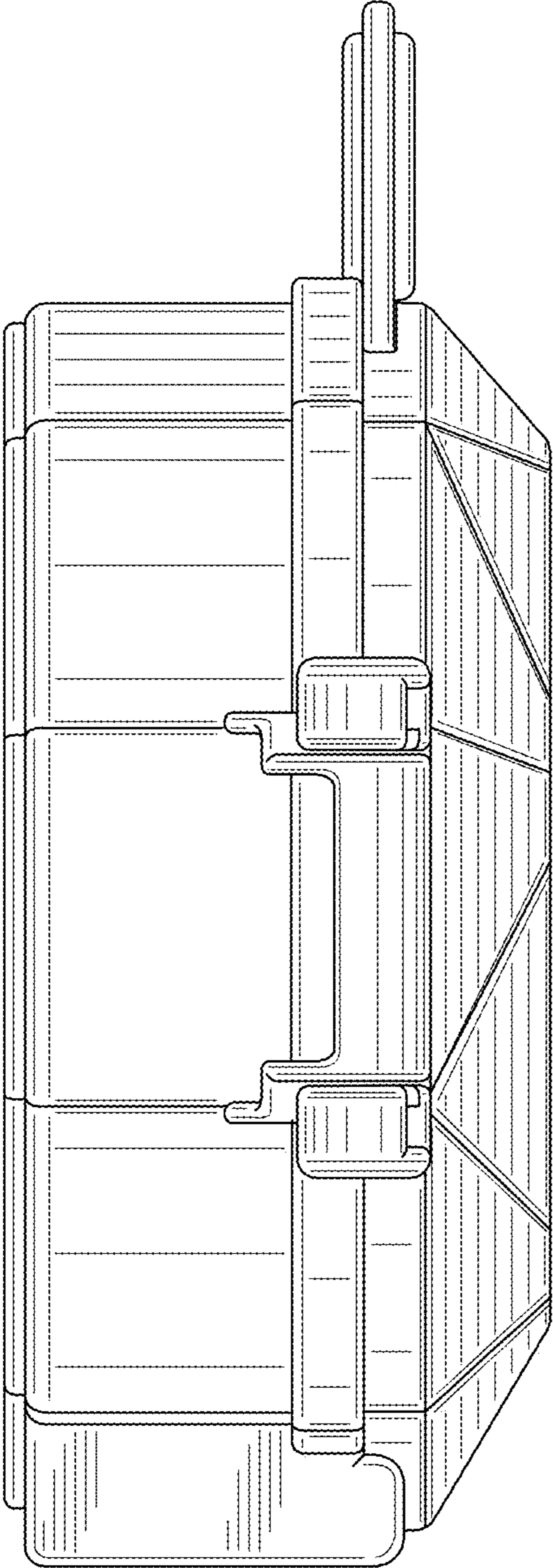


FIG. 9

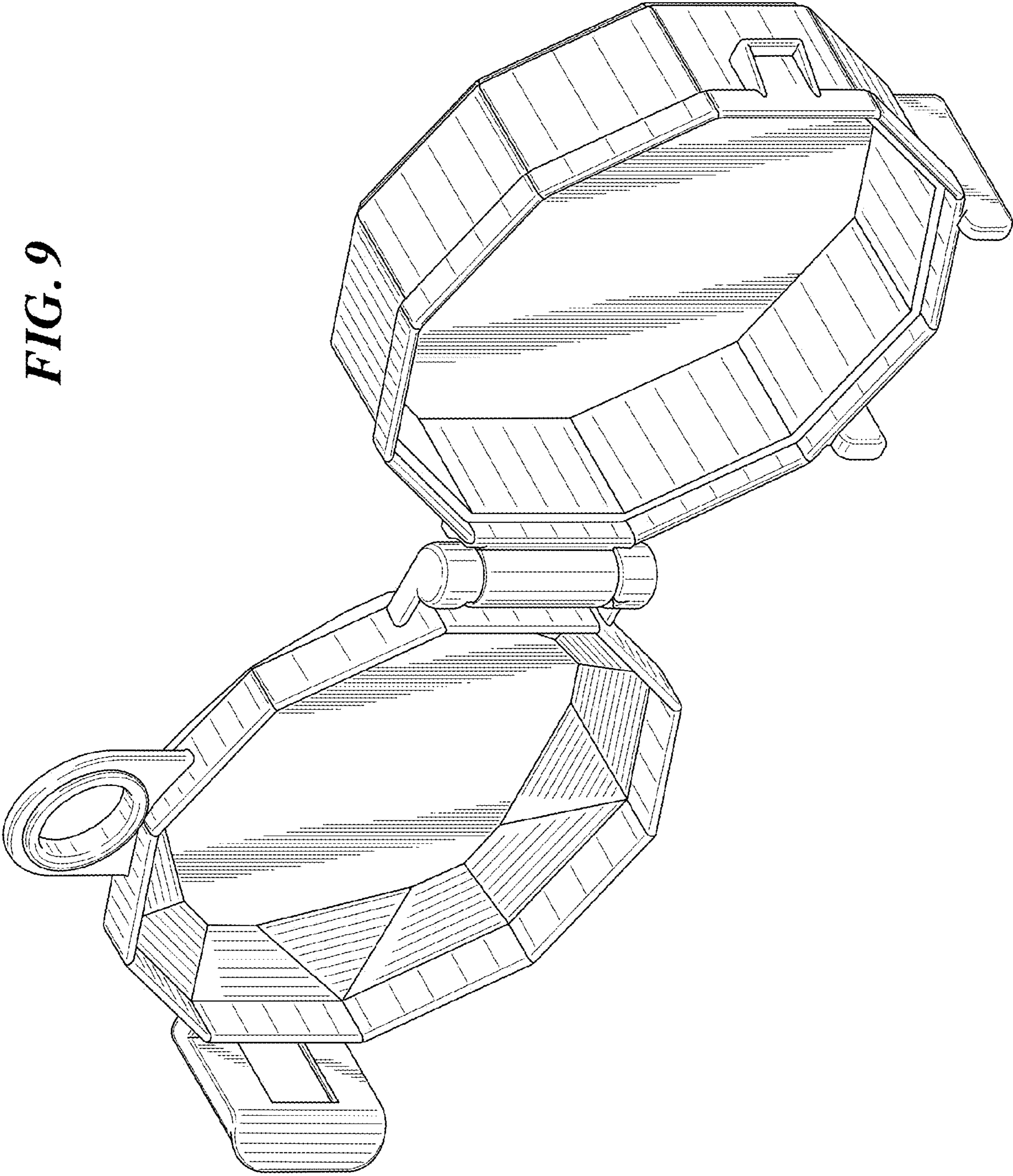


FIG. 10

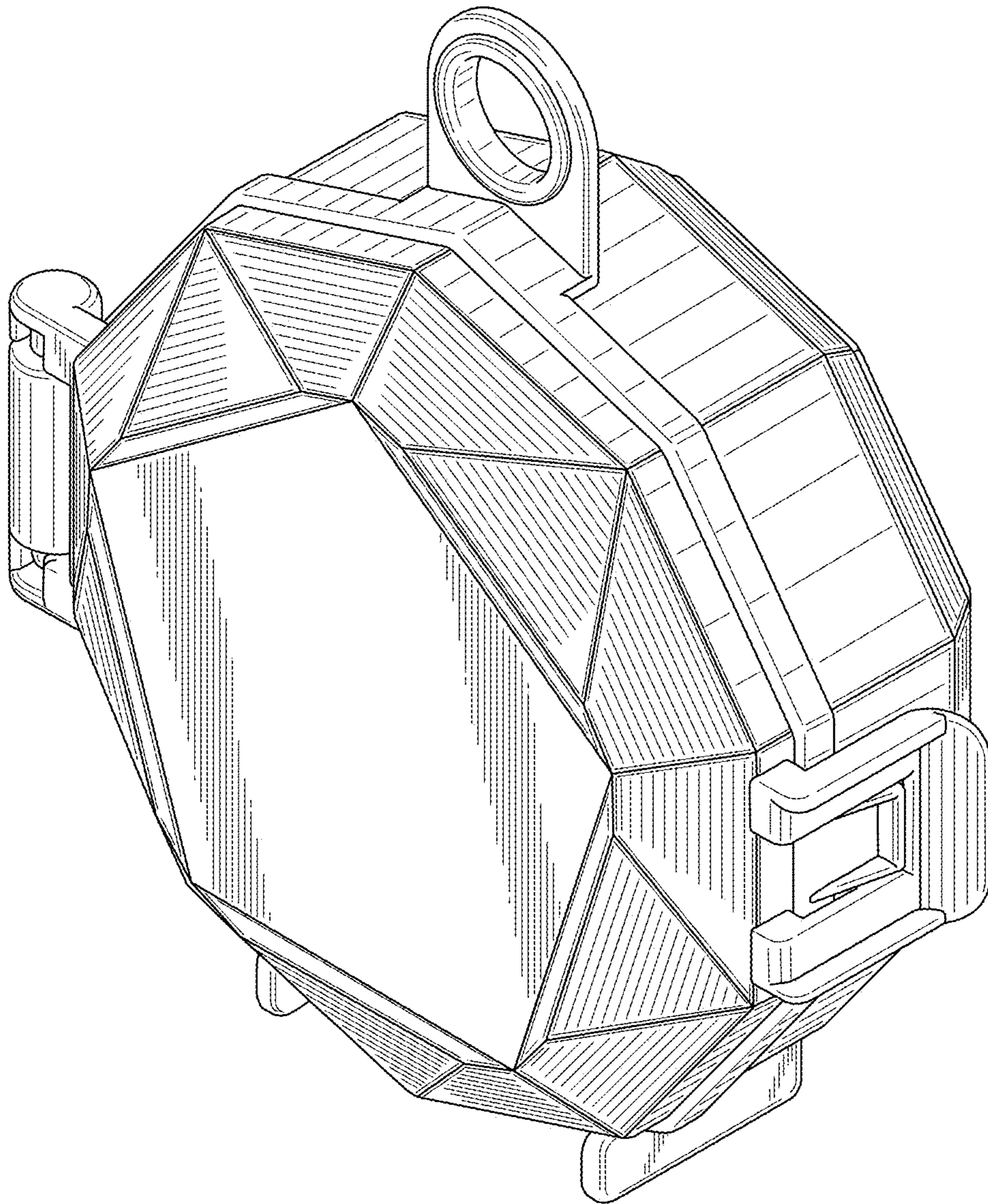


FIG. 11

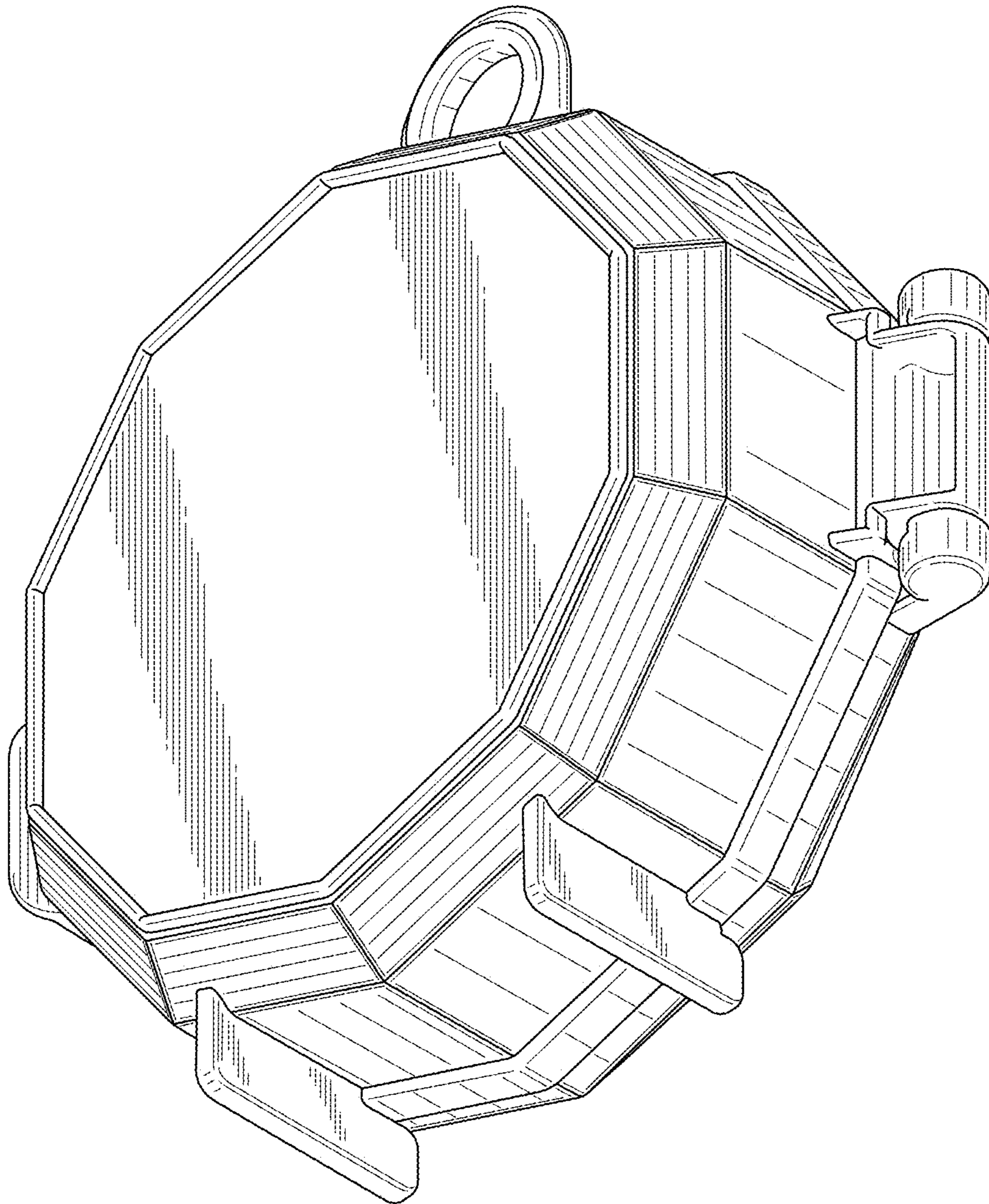


FIG. 12

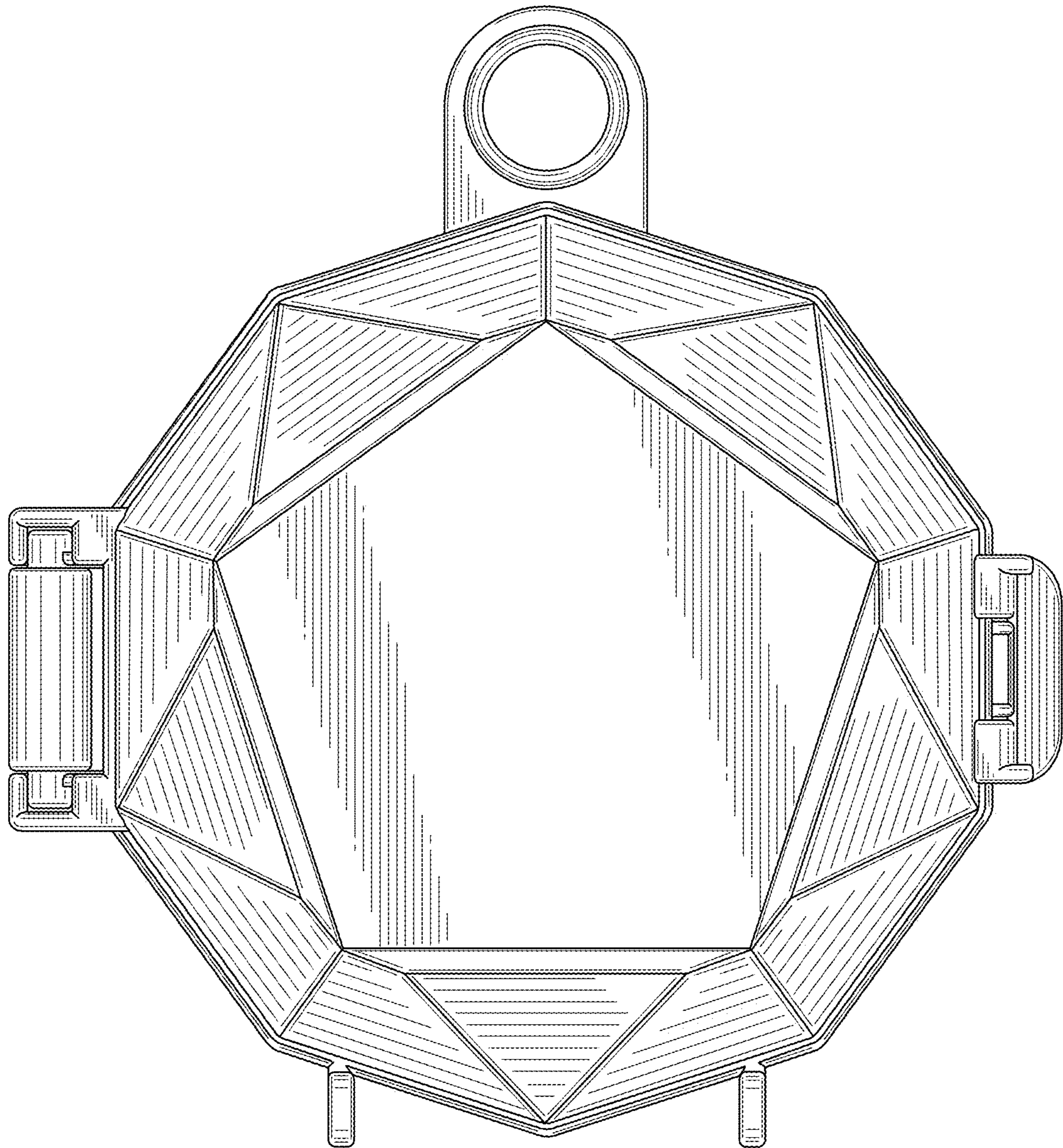


FIG. 13

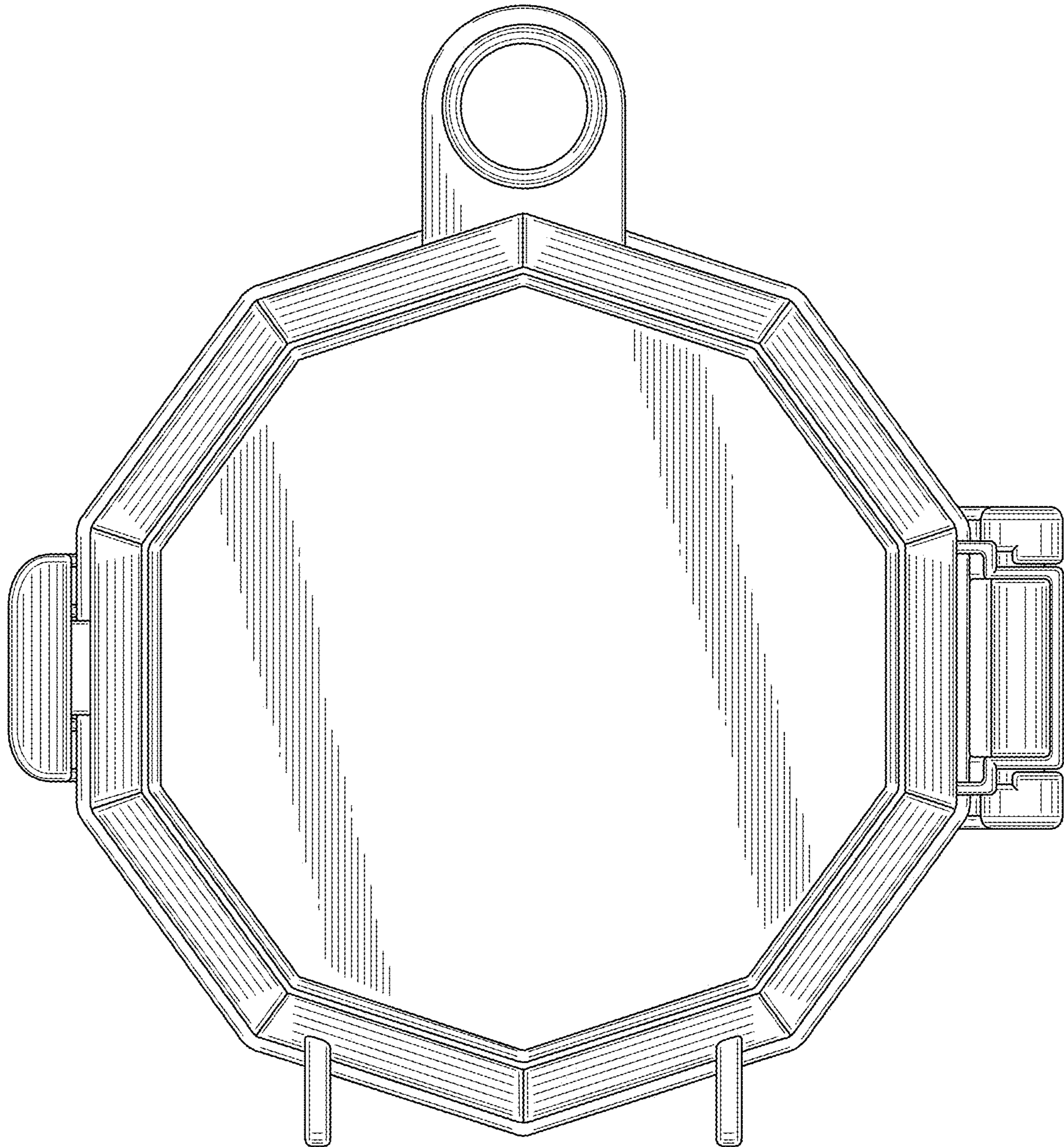


FIG. 14

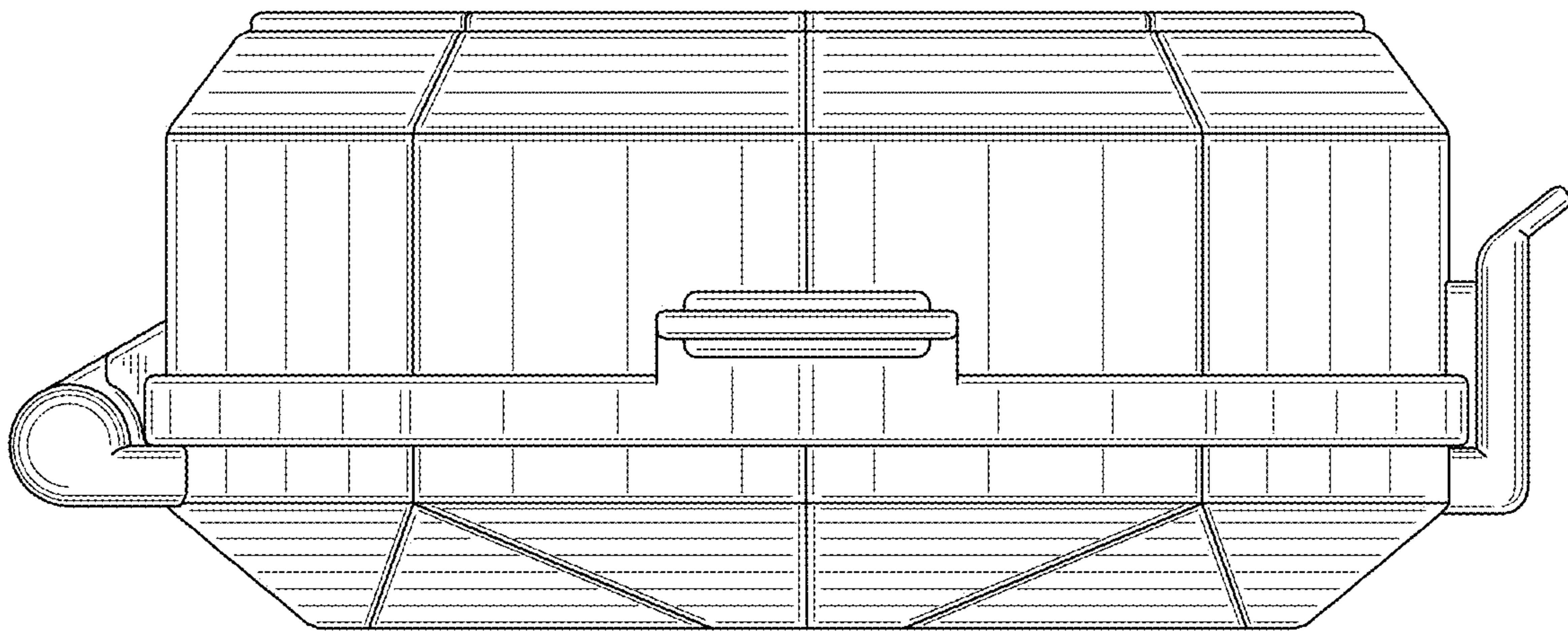


FIG. 15

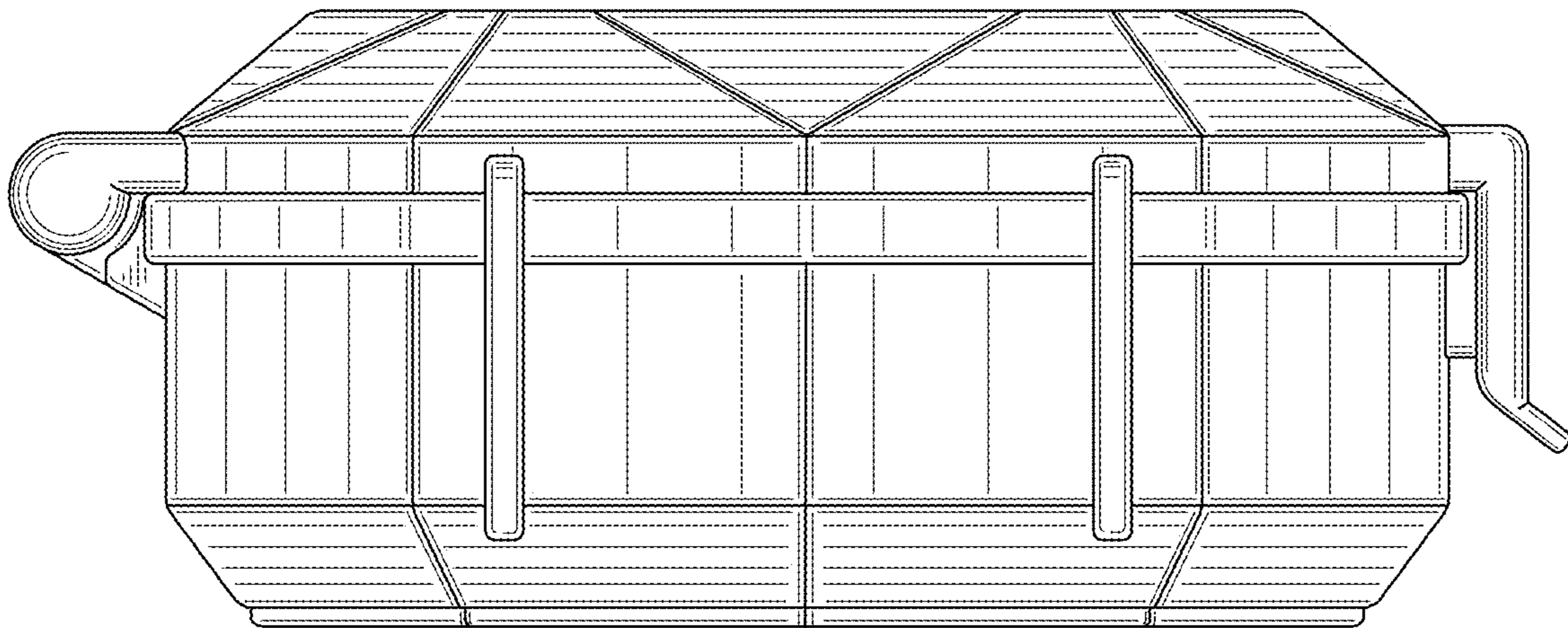


FIG. 16

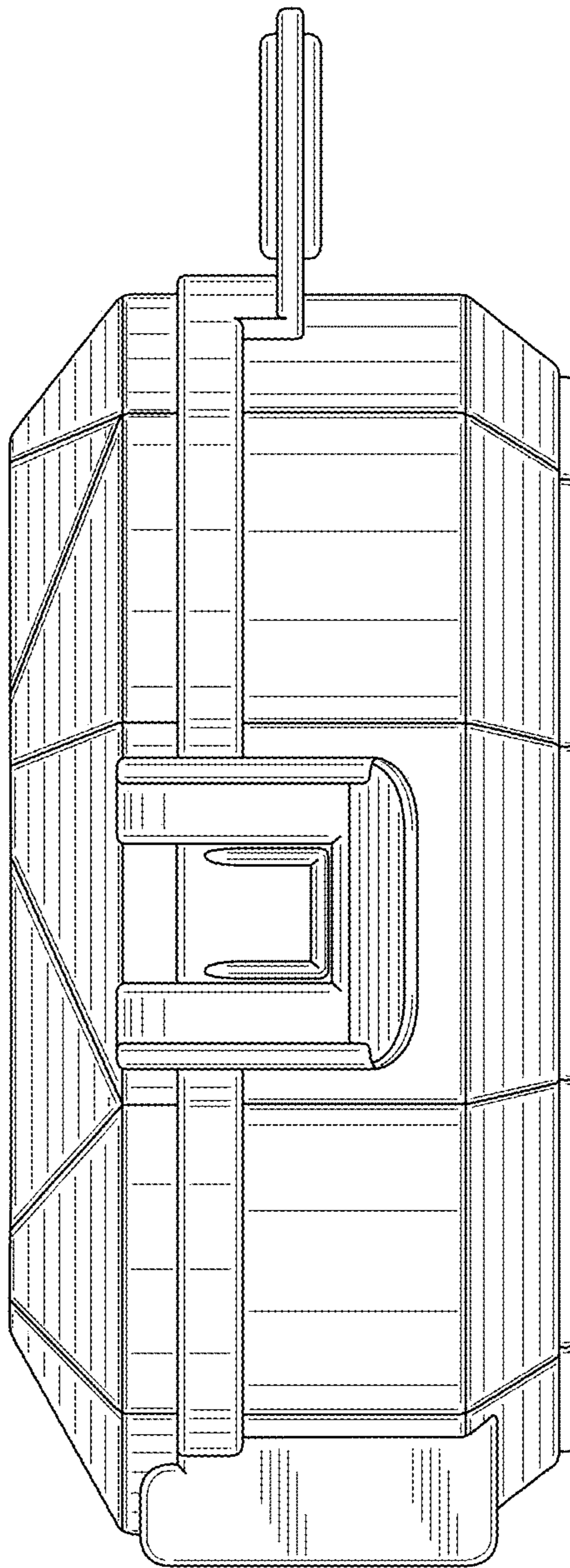


FIG. 17

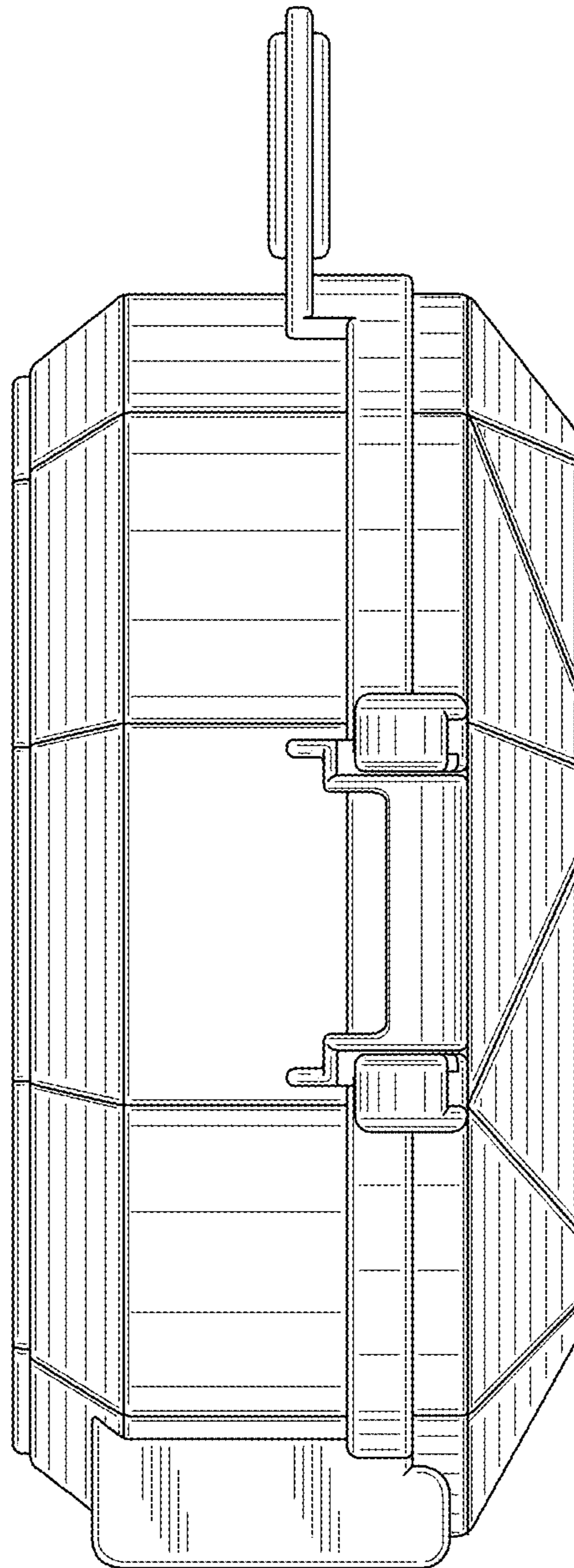


FIG. 18

