



US00D883667S

(12) **United States Design Patent** (10) **Patent No.:** **US D883,667 S**
Barlier (45) **Date of Patent:** **** May 12, 2020**

(54) **BAG**

(71) Applicant: **KeepCool USA LLC**, Orinda, CA (US)

(72) Inventor: **Pierre Barlier**, Lafayette, CA (US)

(73) Assignee: **KeepCool USA LLC**, Orinda, CA (US)

(**) Term: **15 Years**

(21) Appl. No.: **29/661,163**

(22) Filed: **Aug. 24, 2018**

(51) **LOC (12) Cl.** **03-01**

(52) **U.S. Cl.**

USPC **D3/285**; D3/289; D7/607

(58) **Field of Classification Search**

USPC D7/605, 607, 608, 387; D3/273, 274,
D3/277, 276, 284, 289, 287, 301, 304,
D3/315, 318, 902, 314, 285; D6/601

CPC .. A45C 5/04; A45C 5/045; A45C 5/08; A45C
7/0077; A45C 11/20; A45C 2200/20;
A45C 5/14; A45C 7/0036; A45C 9/00;
A45C 13/02; A45C 15/00; A45C
2003/008; A45C 3/14; A45C 7/0068;
F25D 3/08; B62B 2202/52; A47G 9/1045

See application file for complete search history.

(56) **References Cited**

U.S. PATENT DOCUMENTS

D244,723	S *	6/1977	Rabinowitz	D3/289
D349,191	S *	8/1994	Mason	D3/239
D387,626	S *	12/1997	Melk	D7/605
D447,340	S *	9/2001	Snider	D3/276
D479,898	S *	9/2003	Scola	D3/278
D502,599	S *	3/2005	Cabana	D3/287
D506,645	S *	6/2005	Bellofatto, Jr.	D7/607
D560,102	S *	1/2008	Sumter	D7/605
7,334,684	B1 *	2/2008	Fontanilla	A45C 11/20 190/110

(Continued)

OTHER PUBLICATIONS

Kickstarter, "Cabaggage Market Bag", First launched on May 19, 2016. (<https://www.kickstarter.com/projects/211066148/cabaggage-market-bag/description>) (Year: 2016).*

Primary Examiner — April Rivas

(74) *Attorney, Agent, or Firm* — Buchalter, a professional corp.; Kari L. Barnes

(57) **CLAIM**

The ornamental design for a bag, as shown and described.

DESCRIPTION

FIG. 1 is a Front and left perspective view of a bag with a lid open showing my new design;

FIG. 2 is a Front and right perspective view of the bag illustrated in FIG. 1 with the lid open;

FIG. 3 is a Front plan view of the bag illustrated in FIG. 1 with the lid open;

FIG. 4 is a Rear plan view of the bag illustrated in FIG. 1 with the lid open;

FIG. 5 is a Right side plan view of the bag illustrated in FIG. 1 with the lid open;

FIG. 6 is a Left side plan view of the bag illustrated in FIG. 1 with the lid open;

FIG. 7 is a Top plan view of the bag illustrated in FIG. 1 with the lid open;

FIG. 8 is a Bottom plan view of the bag illustrated in FIG. 1 with the lid open;

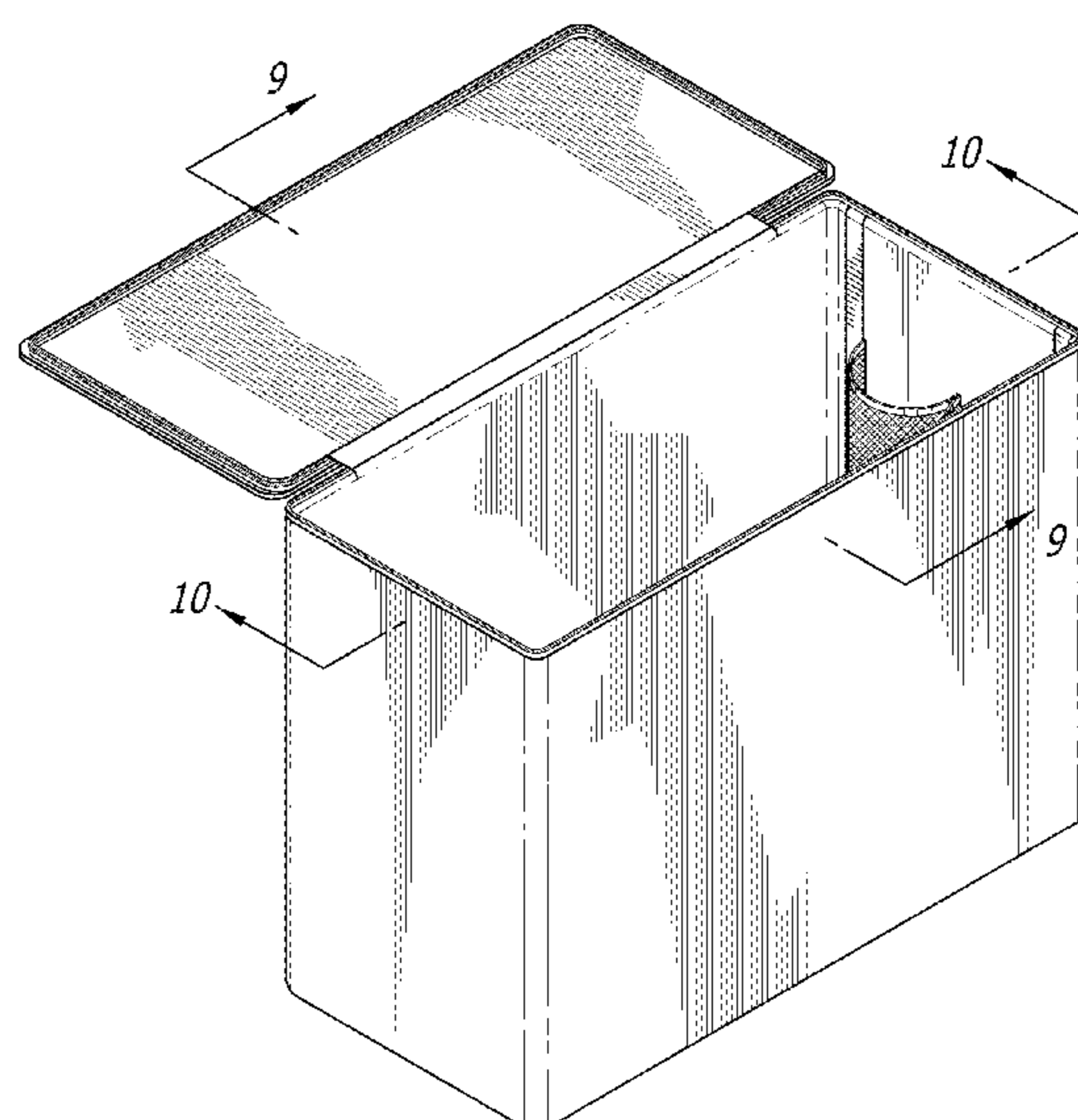
FIG. 9 is a Cross-section view of the bag illustrated in FIG. 1 with the lid open;

FIG. 10 is a Cross-section view of the bag illustrated in FIG. 1 with the lid open; and,

FIG. 11 is a Front and left perspective view of the bag illustrated in FIG. 1 with the lid closed.

The dash-dash-dash type lines shown in the drawings are included for the purpose of illustrating environmental structure and form no part of the claimed design.

1 Claim, 11 Drawing Sheets



(56)

References Cited

U.S. PATENT DOCUMENTS

D639,557 S *	6/2011	Damda	D3/287
D648,532 S *	11/2011	Sosnovsky	D3/283
D655,579 S *	3/2012	Hassman	D7/607
D720,135 S *	12/2014	Leuty	D3/318
D723,278 S *	3/2015	Van Migem	D3/315
D755,519 S *	5/2016	Harrison	D3/279
D755,522 S *	5/2016	Rubio	D3/318
D799,823 S *	10/2017	Schartle	D3/285
D845,625 S *	4/2019	Barlier	D3/283
D845,628 S *	4/2019	Hollinger	D3/318
2010/0014785 A1 *	1/2010	Deck	A45C 3/04 383/12
2010/0018241 A1 *	1/2010	McCoy	A45C 7/0077 62/457.7

* cited by examiner

FIG. 1

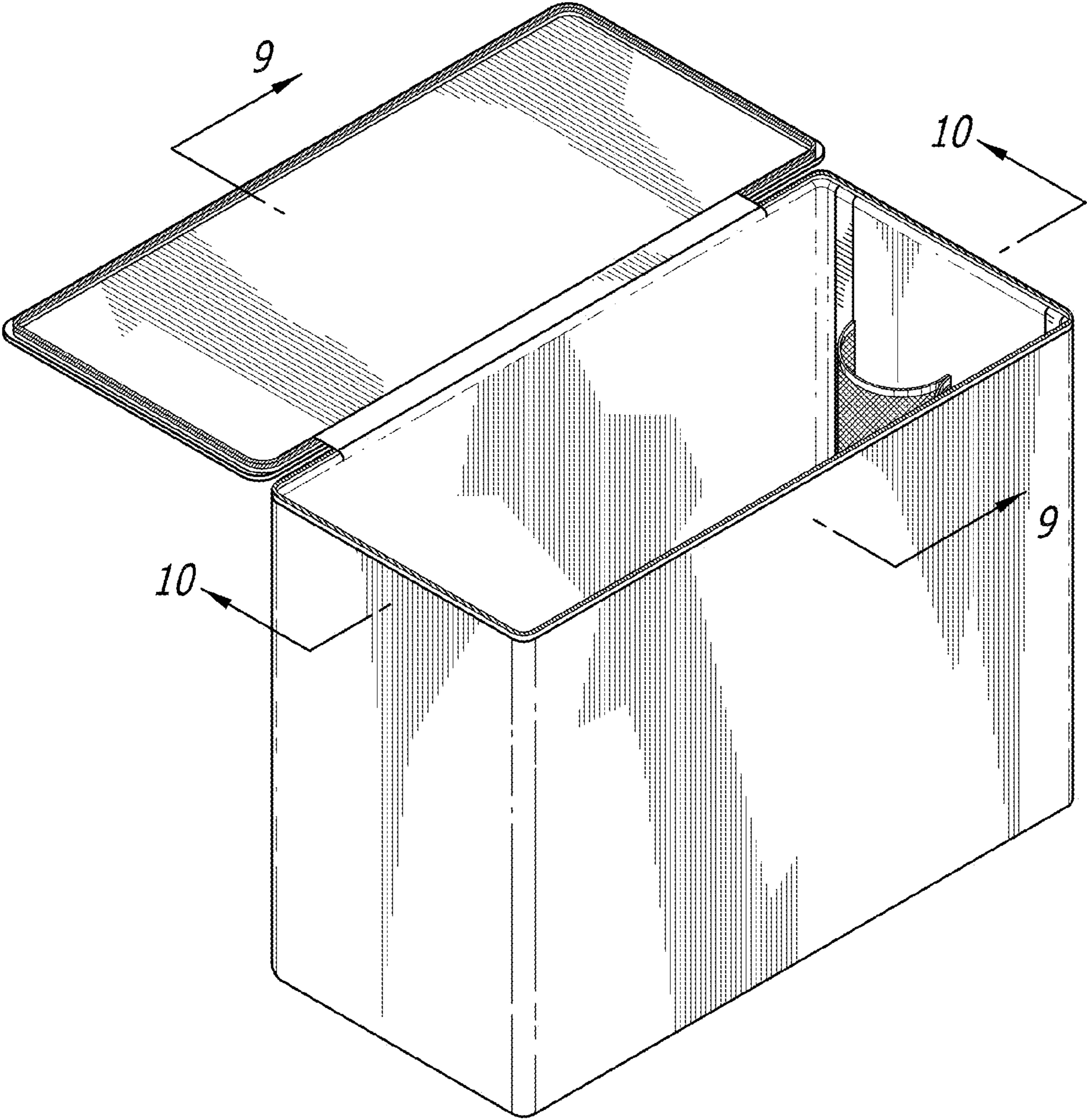
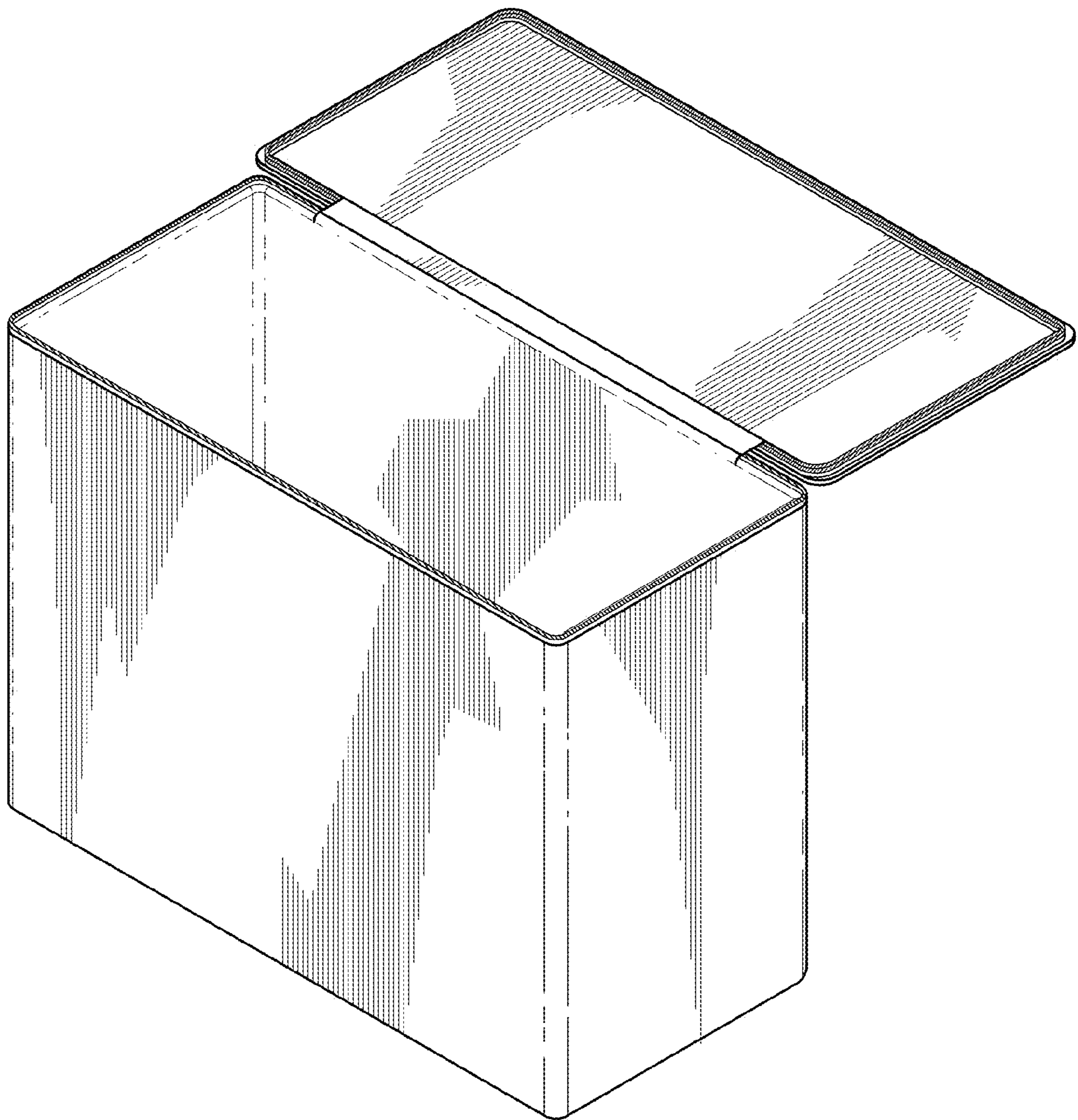


FIG. 2



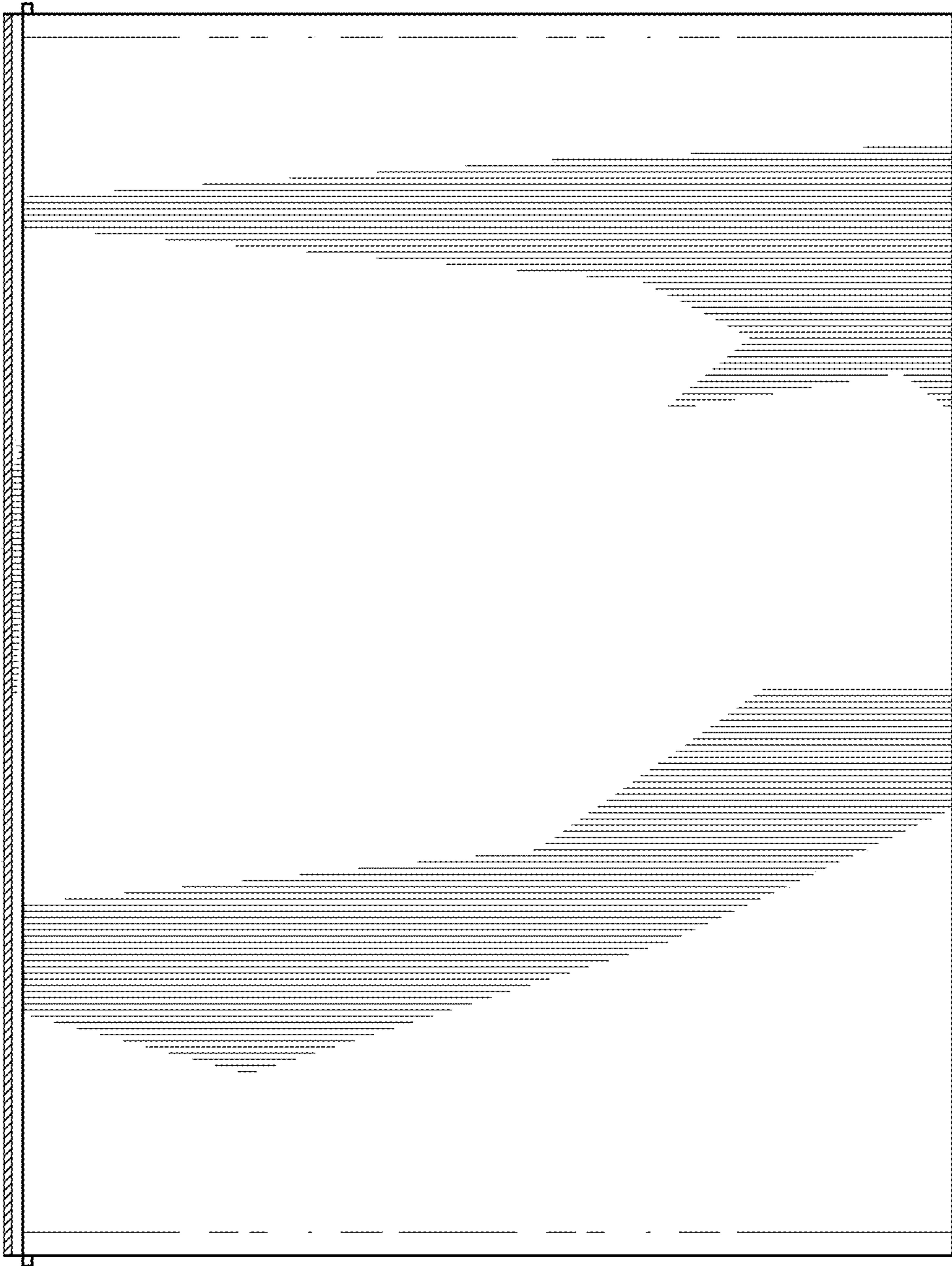


FIG. 3

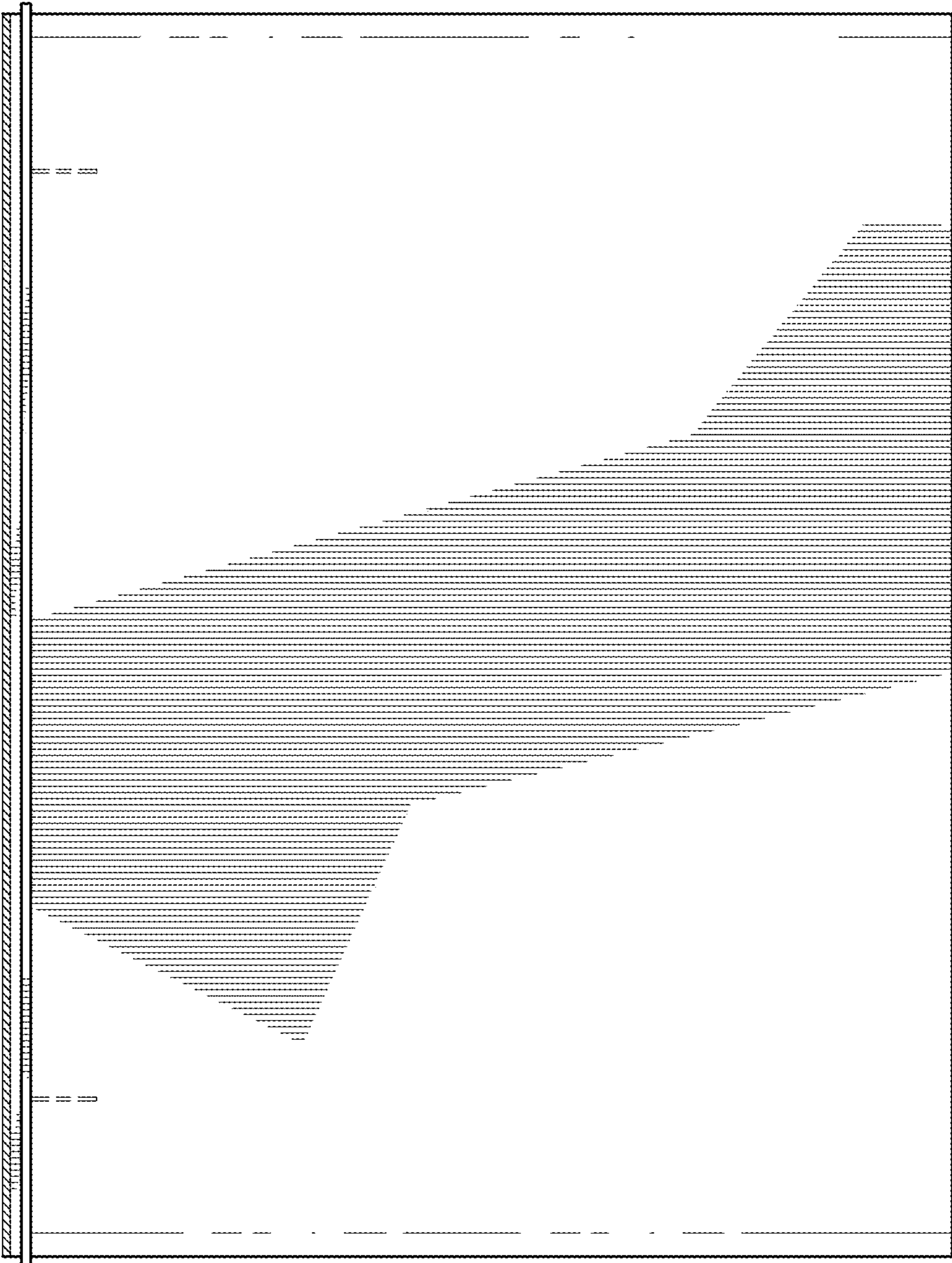


FIG. 4

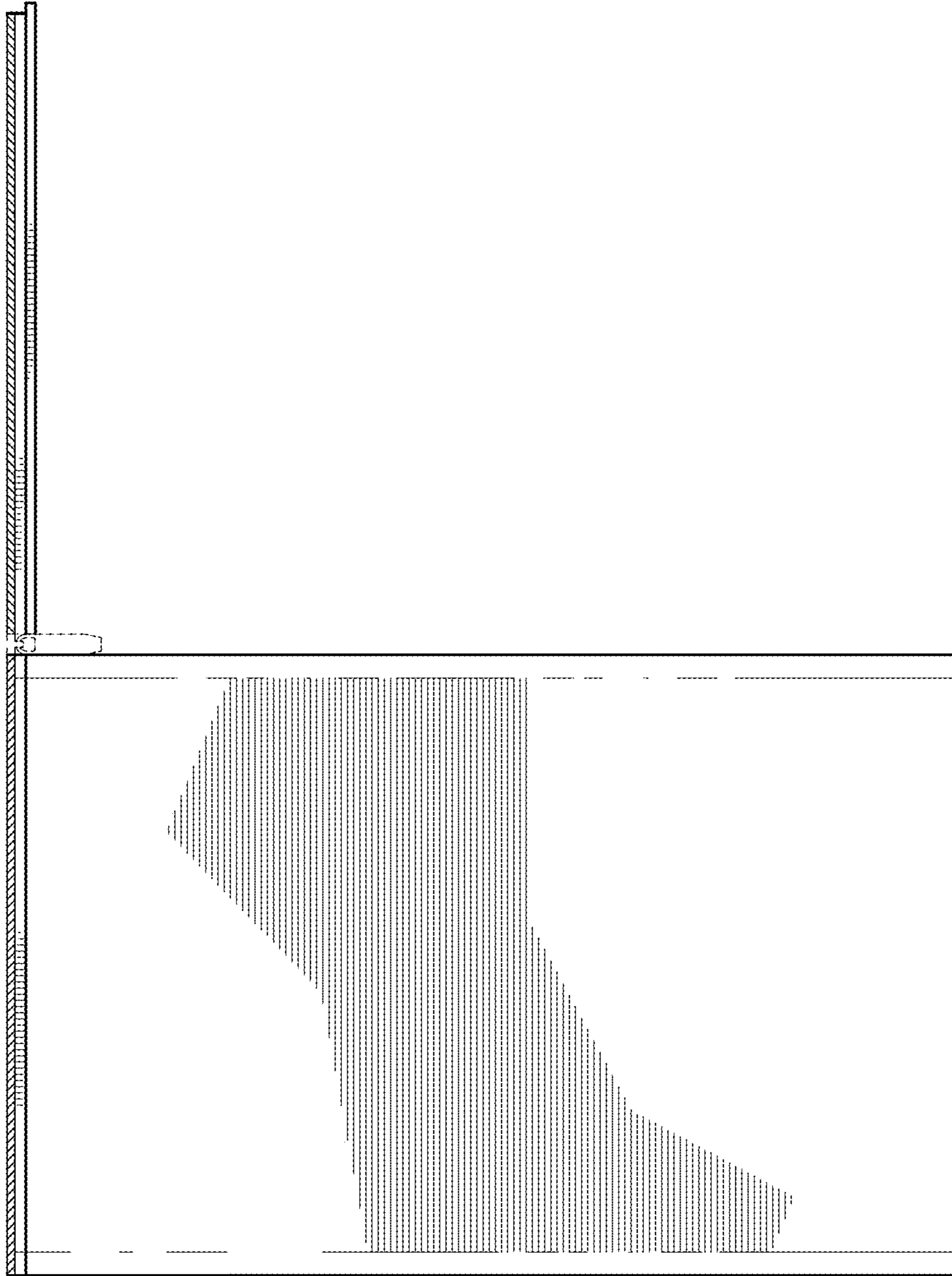


FIG. 5



FIG. 6

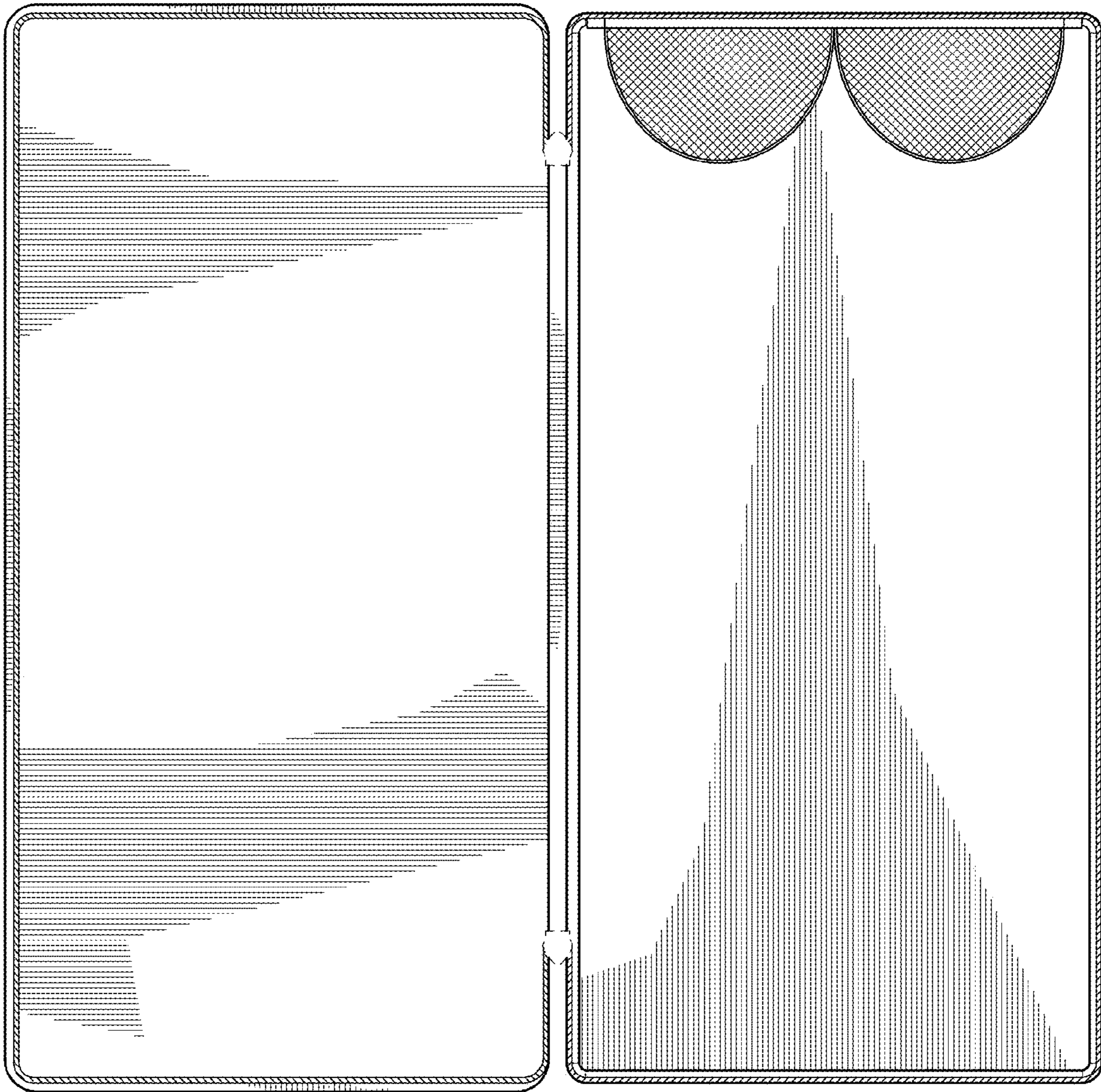


FIG. 7

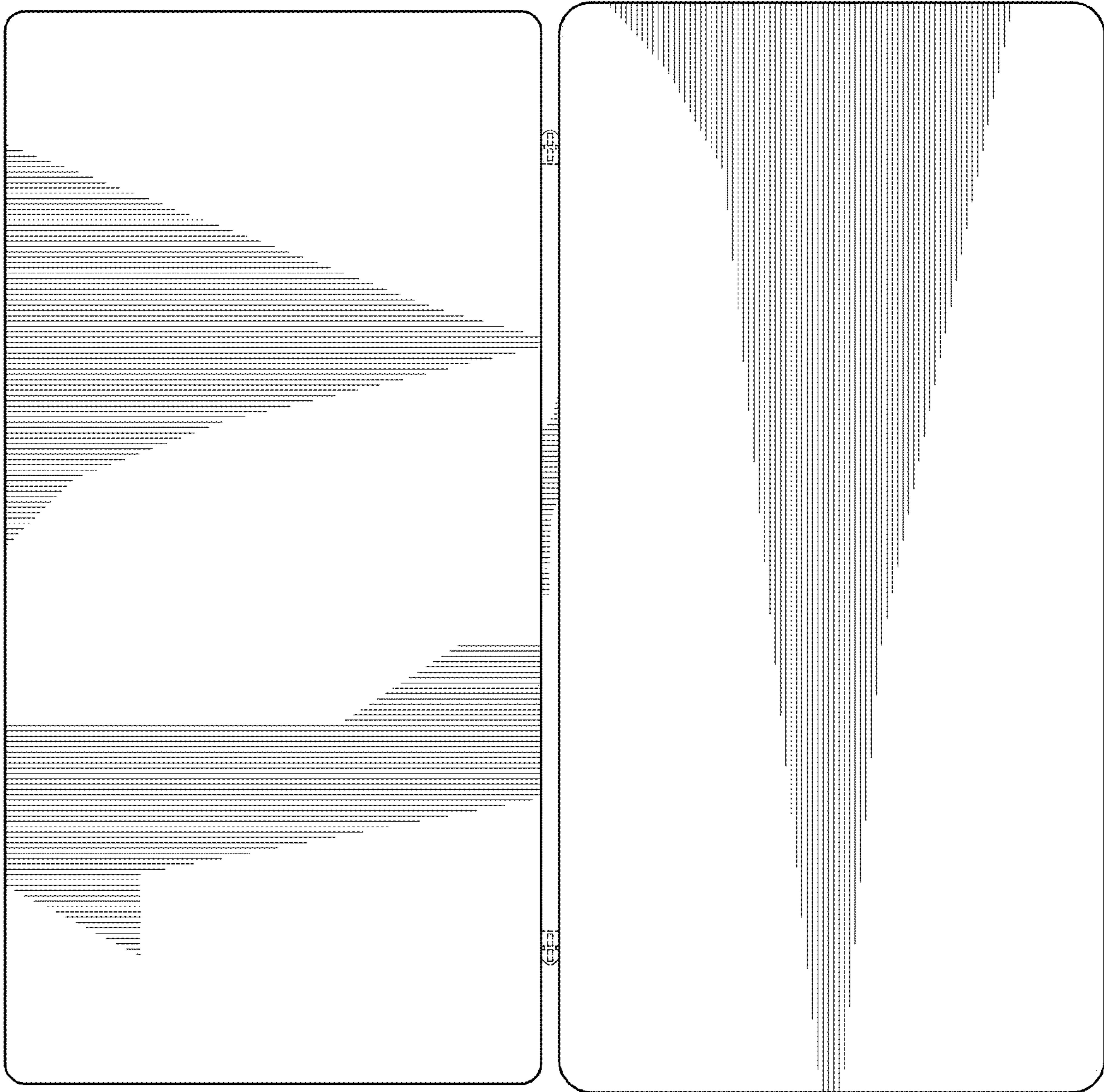


FIG. 8

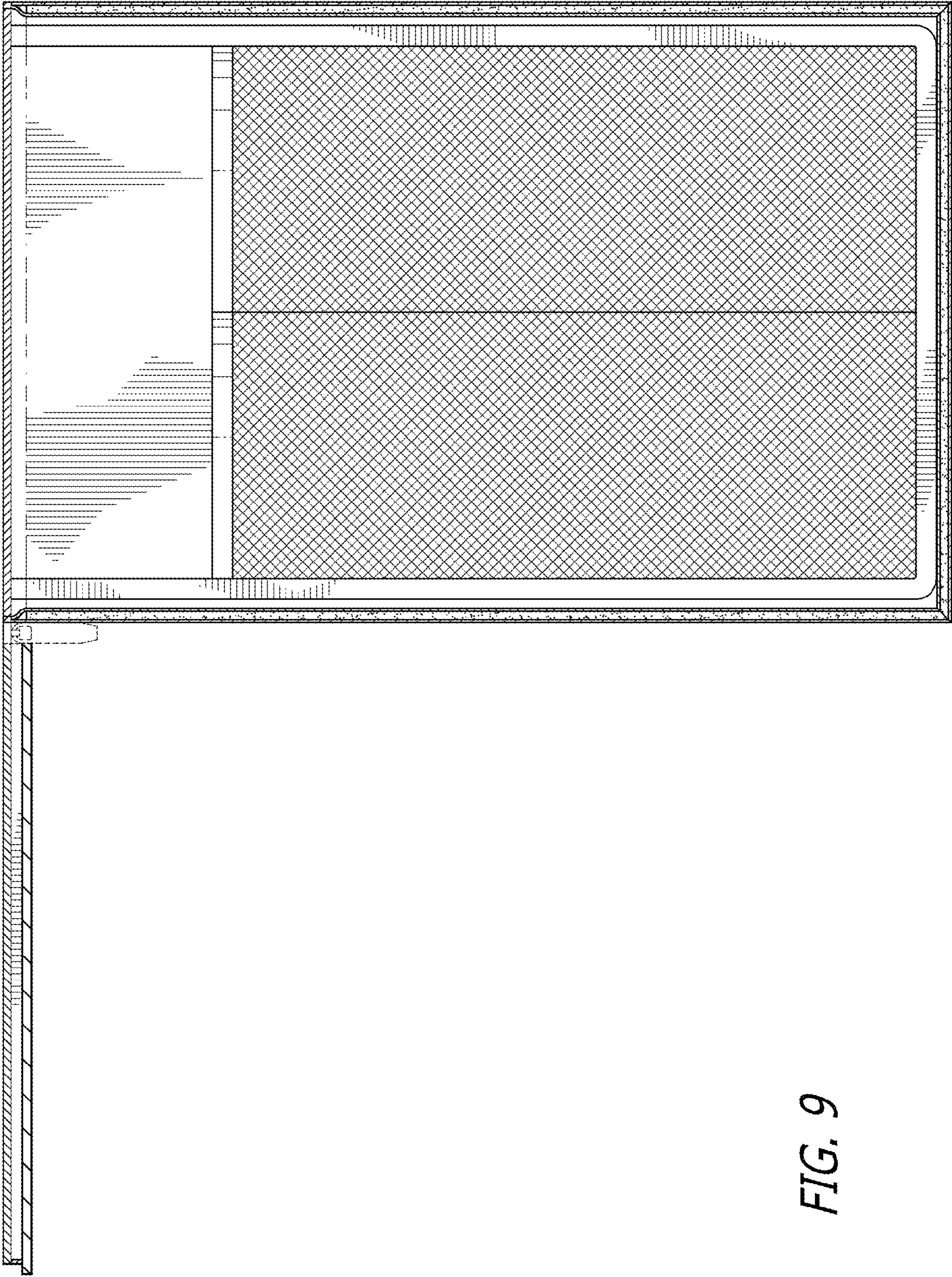


FIG. 9

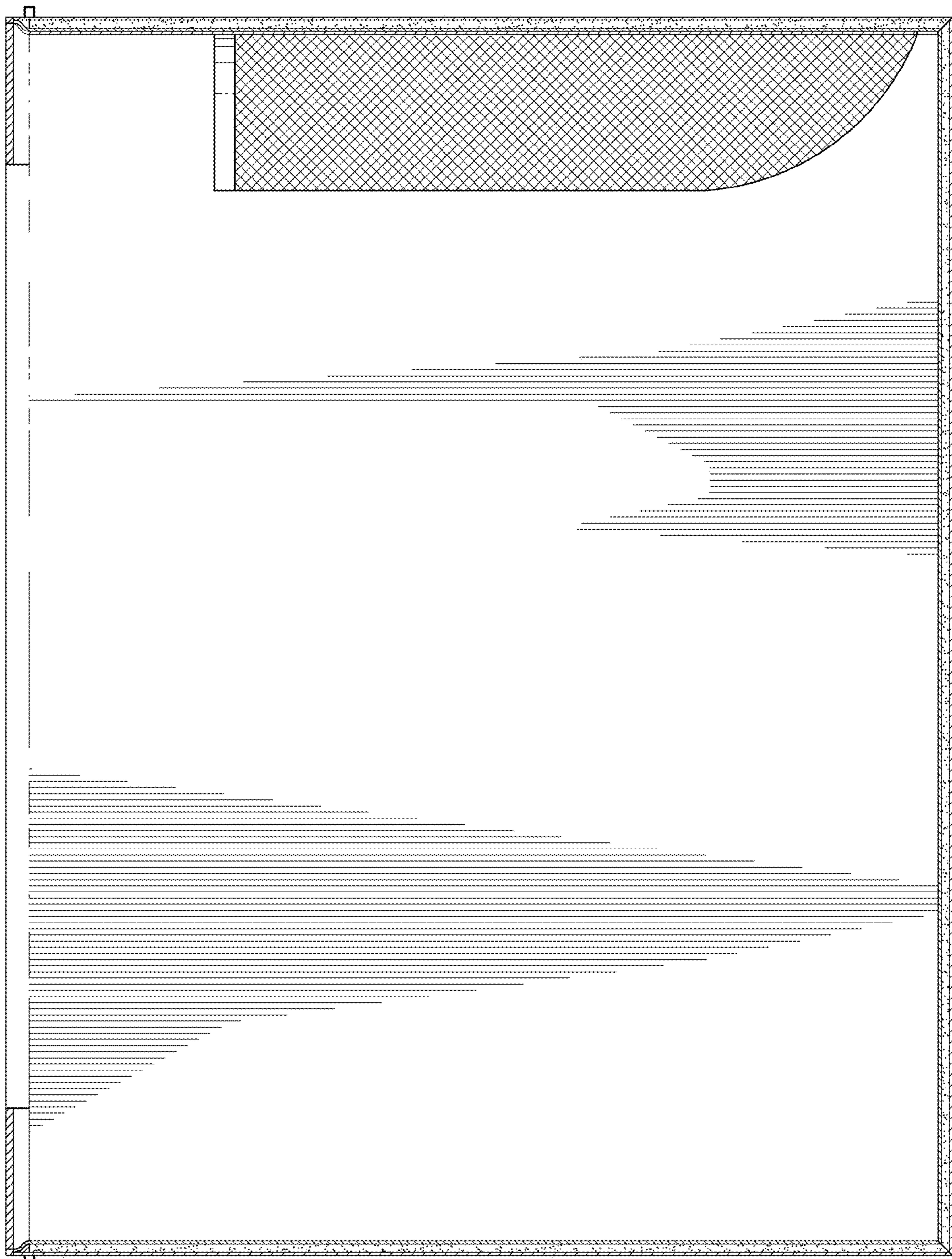


FIG. 10

FIG. 11

