



US00D883665S

(12) **United States Design Patent**
Agerbaek

(10) **Patent No.:** **US D883,665 S**

(45) **Date of Patent:** **** May 12, 2020**

(54) **BRIEFCASE**

(71) Applicant: **GameBoks IVS**, København K (DK)

(72) Inventor: **Christian Alves Agerbaek**, Dyssegaard (DK)

(**) Term: **15 Years**

(21) Appl. No.: **35/506,524**

(22) Filed: **Dec. 5, 2018**

(80) **Hague Agreement Data**

Int. Filing Date: **Dec. 5, 2018**

Int. Reg. No.: **DM/200480**

Int. Reg. Date: **Dec. 5, 2018**

Int. Reg. Pub. Date: **Apr. 5, 2019**

(51) **LOC (12) Cl.** **03-01**

(52) **U.S. Cl.**
USPC **D3/274**

(58) **Field of Classification Search**
USPC D3/243, 274, 276, 284, 289, 290, 291, D3/900
CPC A45C 5/03; A45C 5/032; A45C 3/02
See application file for complete search history.

(56) **References Cited**

U.S. PATENT DOCUMENTS

D167,868 S * 9/1952 Selikoff et al. D3/274
3,957,141 A * 5/1976 Domes A45C 13/40
190/102

D328,765 S * 8/1992 Strom, Jr. D21/304
D344,074 S * 2/1994 Collins D3/274
5,839,553 A * 11/1998 Dorsam A45C 3/02
190/109
5,931,270 A * 8/1999 Mitchell A45C 13/26
150/108
5,977,876 A * 11/1999 Coleman A45C 13/10
340/539.1
2011/0017563 A1 * 1/2011 Azirian A45C 9/00
190/11

* cited by examiner

Primary Examiner — Holly E Thurman

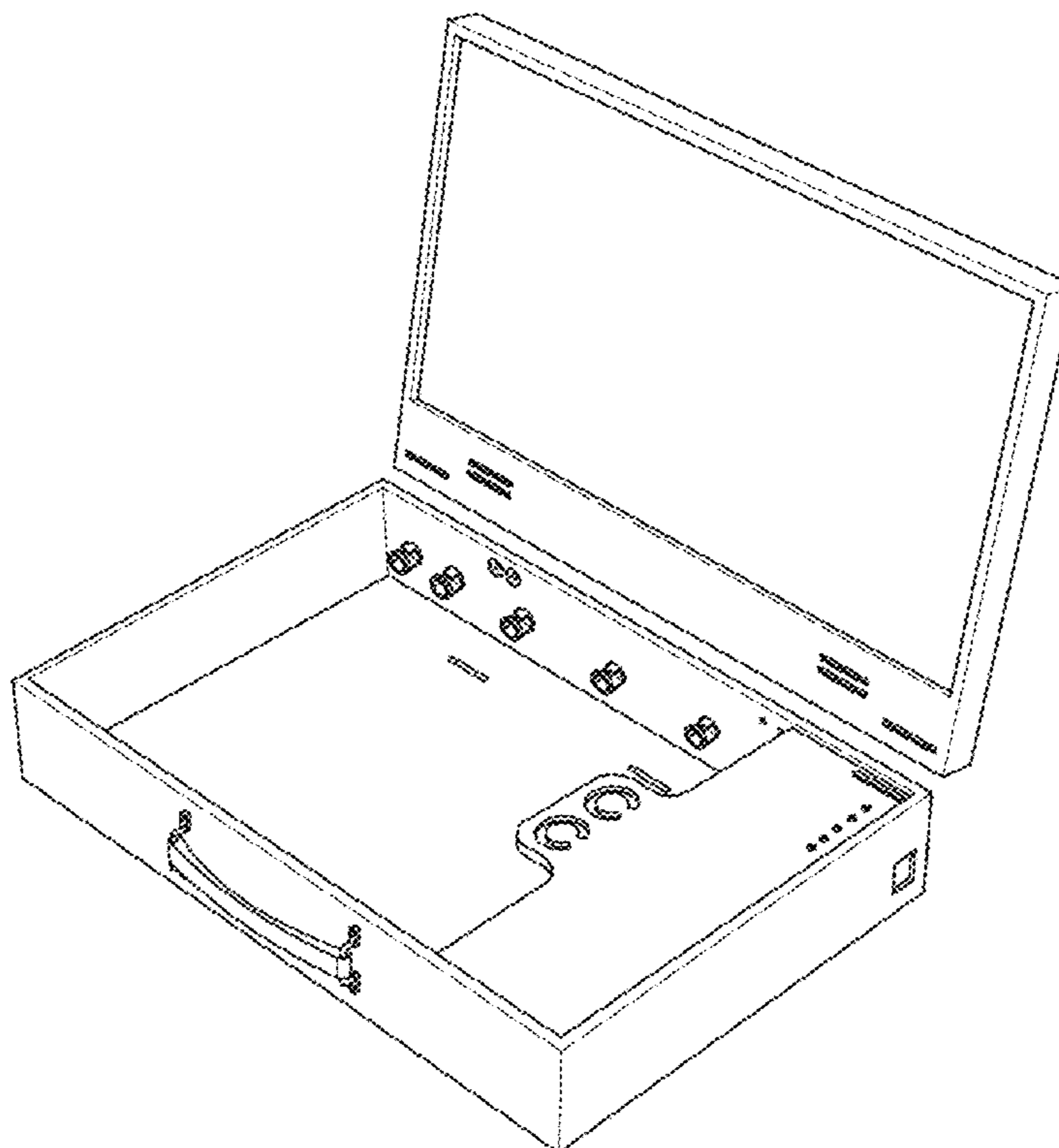
(57) **CLAIM**

The ornamental design for a briefcase, as shown and described.

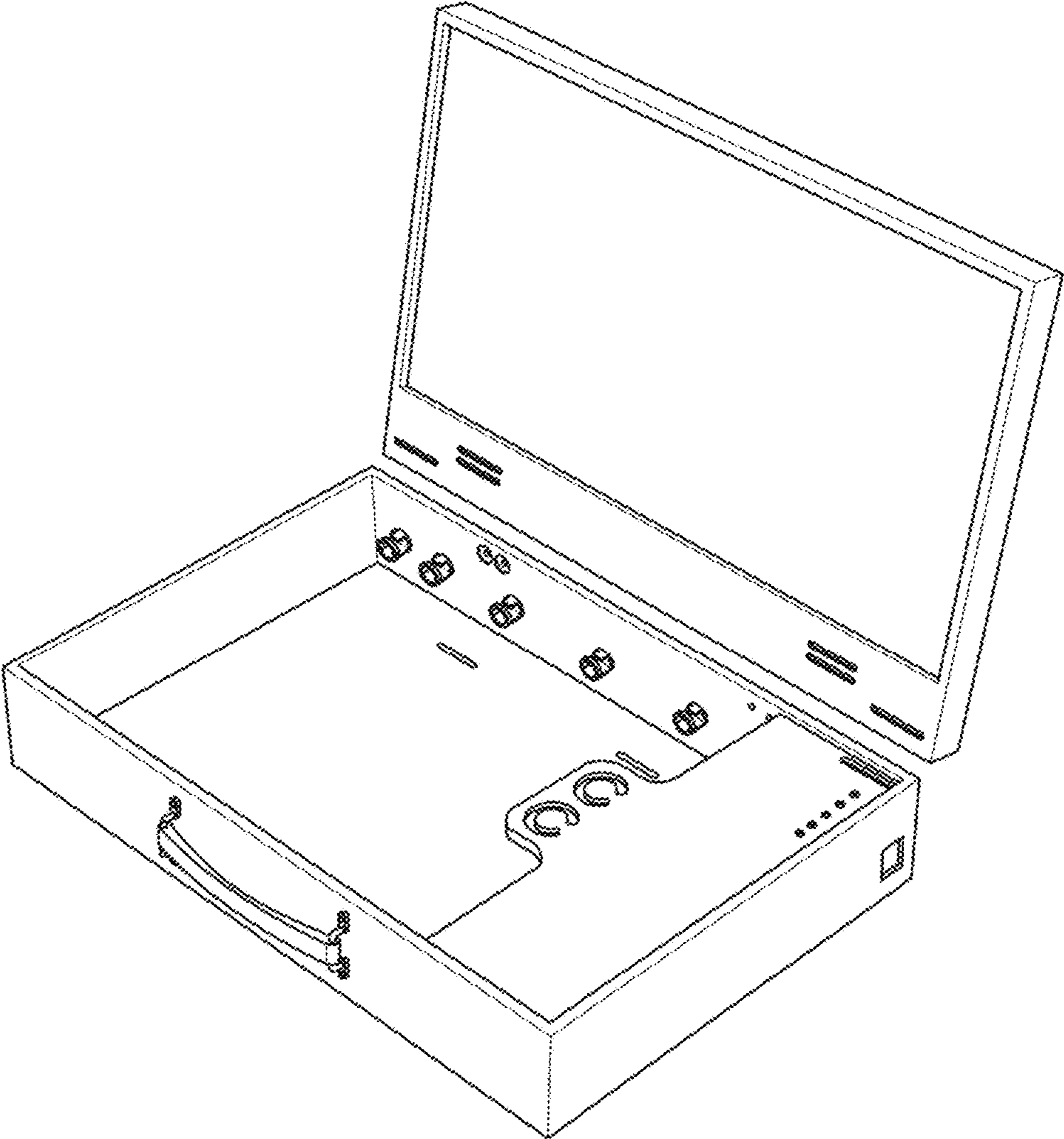
DESCRIPTION

1. Briefcase
FIG. 1.1 is an upper diagonal right side perspective view of the briefcase in its opened state;
FIG. 1.2 is an upper diagonal left side perspective view of the briefcase in its opened state;
FIG. 1.3 is a lower diagonal right side perspective view of the briefcase in its opened state;
FIG. 1.4 is a lower diagonal left side perspective view of the briefcase in its opened state;
FIG. 1.5 is a front side perspective view of the briefcase in its opened state;
FIG. 1.6 is a left side perspective view of the briefcase in its opened state.

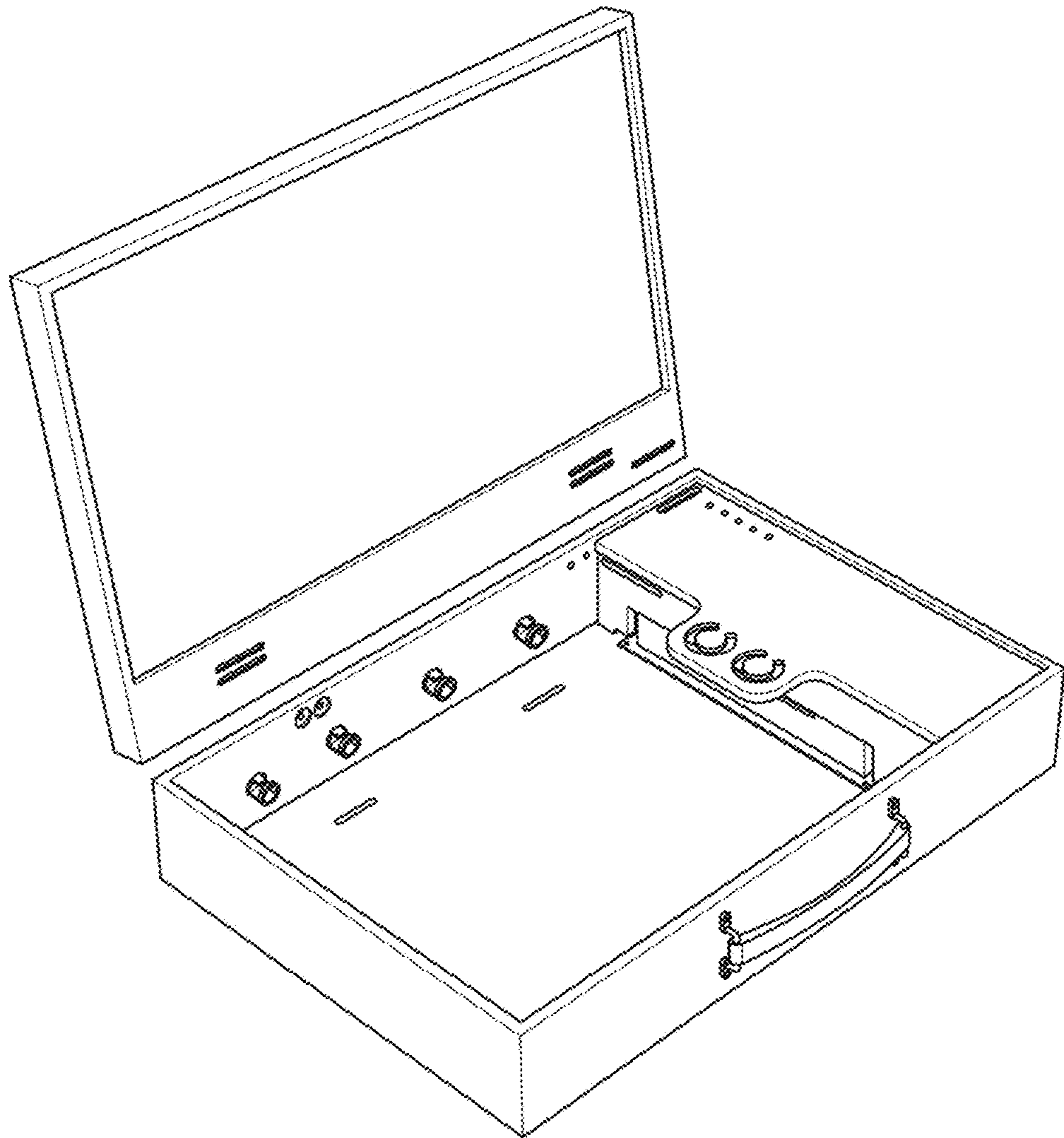
1 Claim, 6 Drawing Sheets



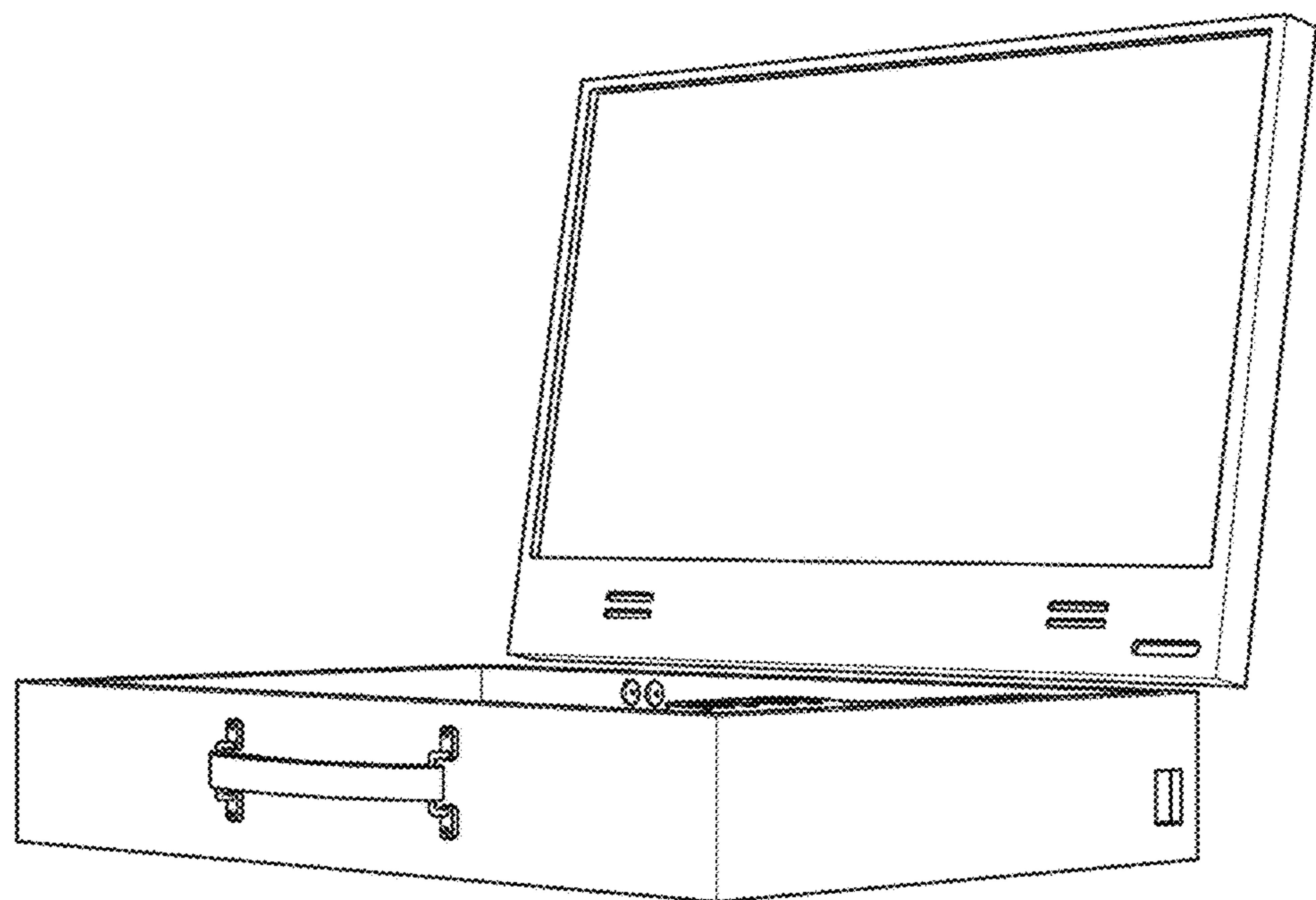
1.1



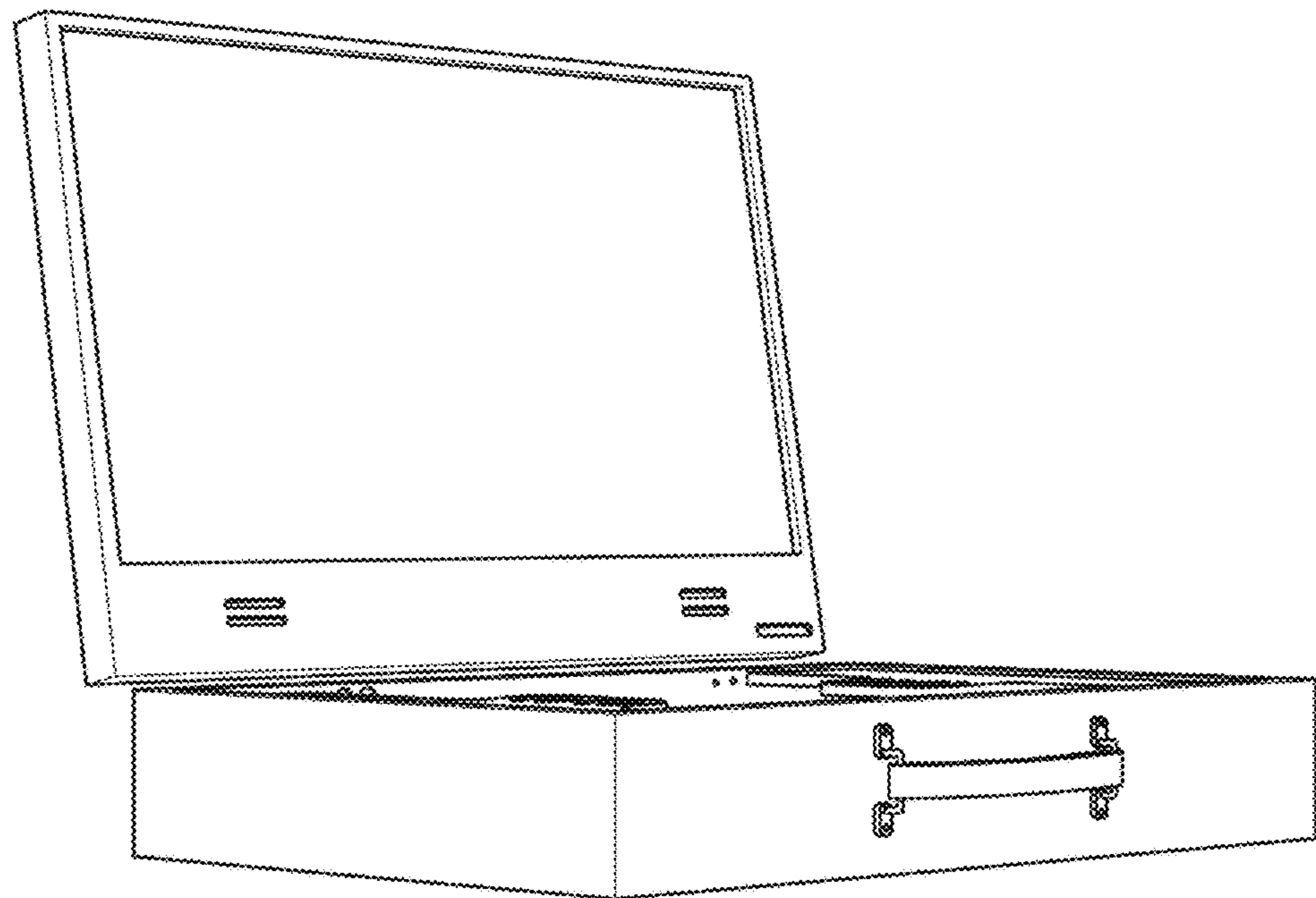
1.2



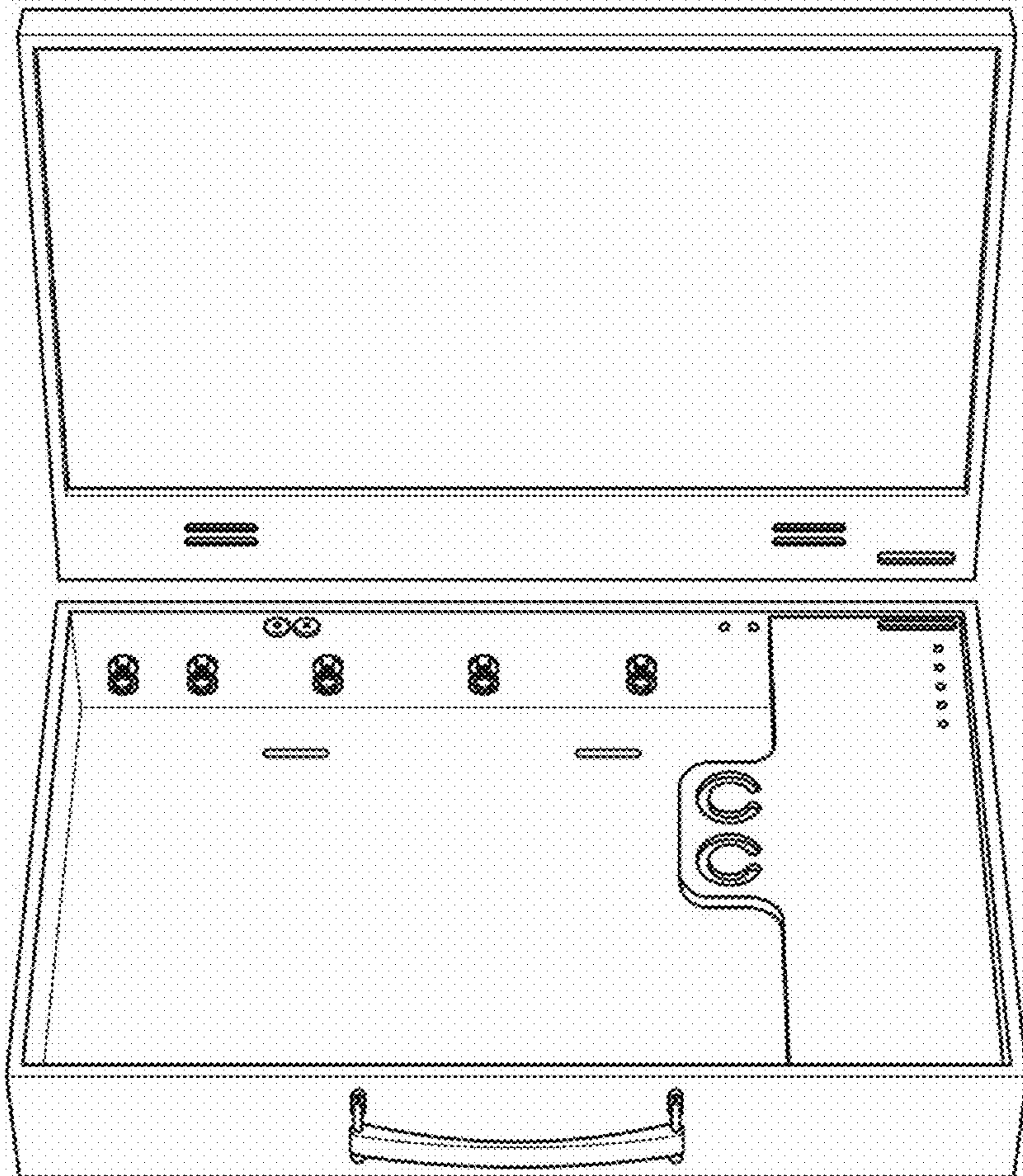
1.3



1.4



1.5



1.6

