



US00D883662S

(12) **United States Design Patent**
Landeros

(10) **Patent No.:** **US D883,662 S**

(45) **Date of Patent:** **** May 12, 2020**

(54) **DIAPER BAG**

D784,020 S * 4/2017 Kutting A45C 13/02
D3/319

(71) Applicant: **Kristen Landeros**, Santa Barbara, CA
(US)

D800,445 S * 10/2017 Haeussinger D3/203.6
D831,334 S * 10/2018 Alexiou D3/218

(72) Inventor: **Kristen Landeros**, Santa Barbara, CA
(US)

* cited by examiner

(**) Term: **15 Years**

Primary Examiner — Charles D Hanson

(21) Appl. No.: **29/685,805**

(57) **CLAIM**

The ornamental design for a diaper bag, as shown and described.

(22) Filed: **Mar. 30, 2019**

DESCRIPTION

(51) **LOC (12) Cl.** **03-03**

FIG. 1 is a front perspective view of a diaper bag according to the present invention;

(52) **U.S. Cl.**

FIG. 2 is face on front view thereof;

USPC **D3/233**

FIG. 3 is a right-side edge-on view thereof;

(58) **Field of Classification Search**

CPC combination set(s) only.

FIG. 4 is a left-side edge-on view thereof;

See application file for complete search history.

FIG. 5 is back view thereof;

(56) **References Cited**

U.S. PATENT DOCUMENTS

FIG. 6 is a top-down edge-on view thereof; and,

FIG. 7 is a bottom-up edge-on view thereof.

Any broken lines are for illustrative purposes only and form no part of the claimed design. Any surface shading illustrated in the drawings is provided merely to highlight the contour of the design; it is not intended to be illustrative of texture or gloss.

D311,813 S * 11/1990 Oliver D3/216

D407,216 S * 3/1999 Vickers D3/232

D499,882 S * 12/2004 Baclawski D3/216

D783,271 S * 4/2017 Cohen D3/216

1 Claim, 4 Drawing Sheets





FIG. 1

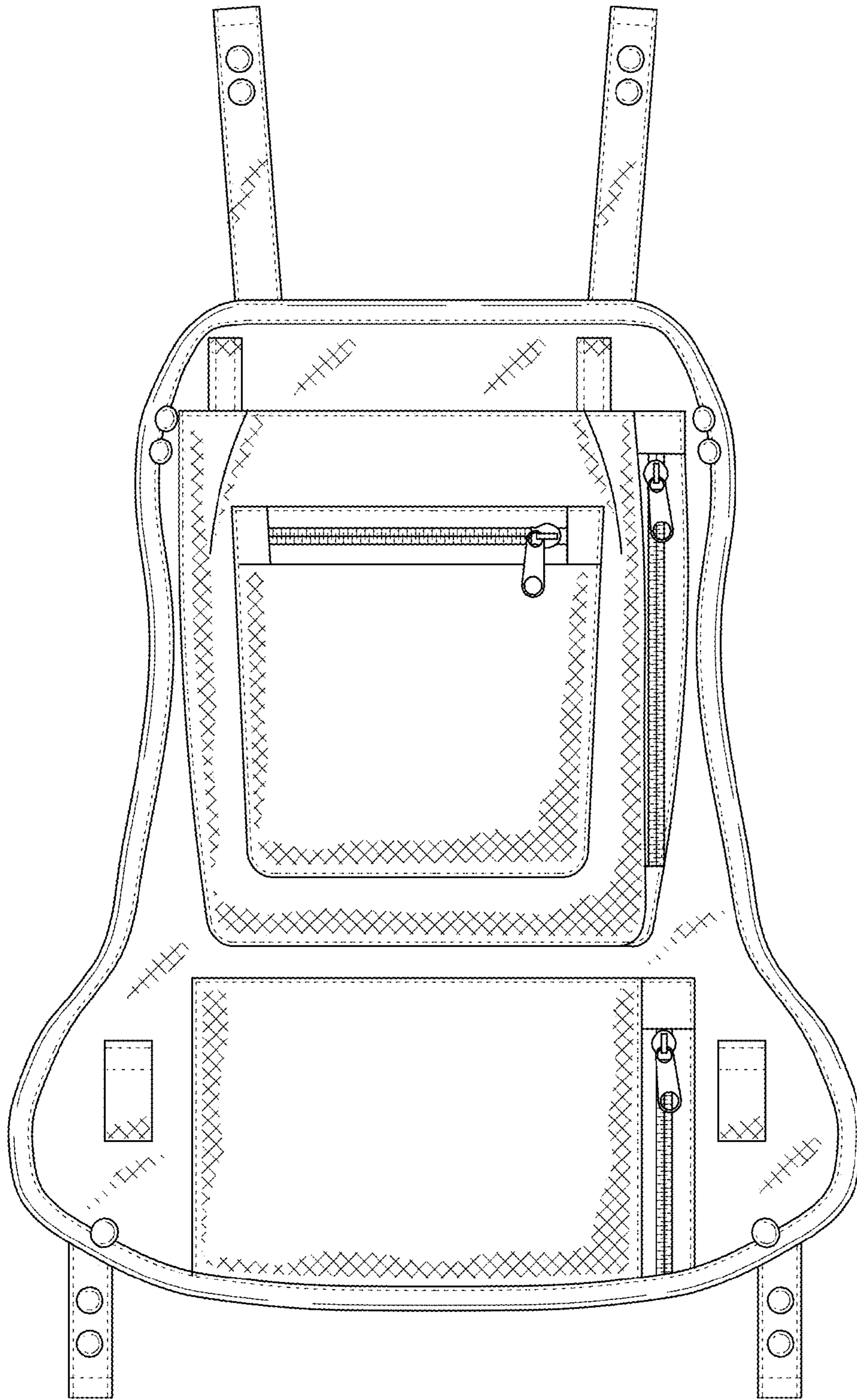


FIG. 2

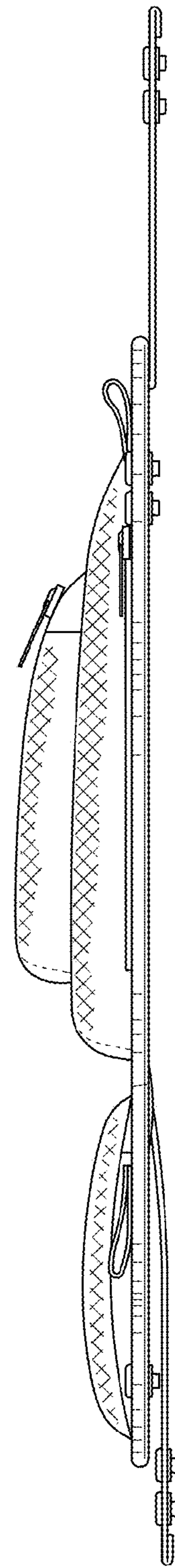


FIG. 3

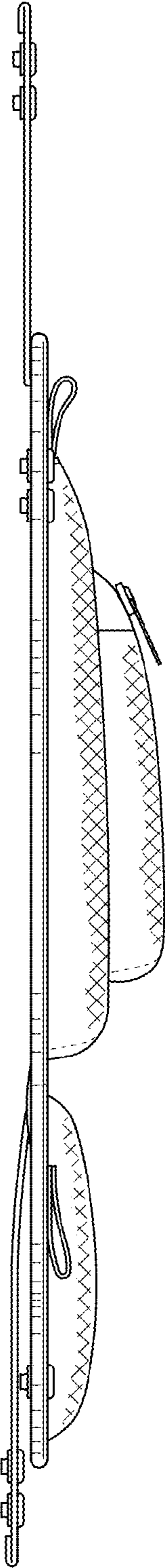


FIG. 4

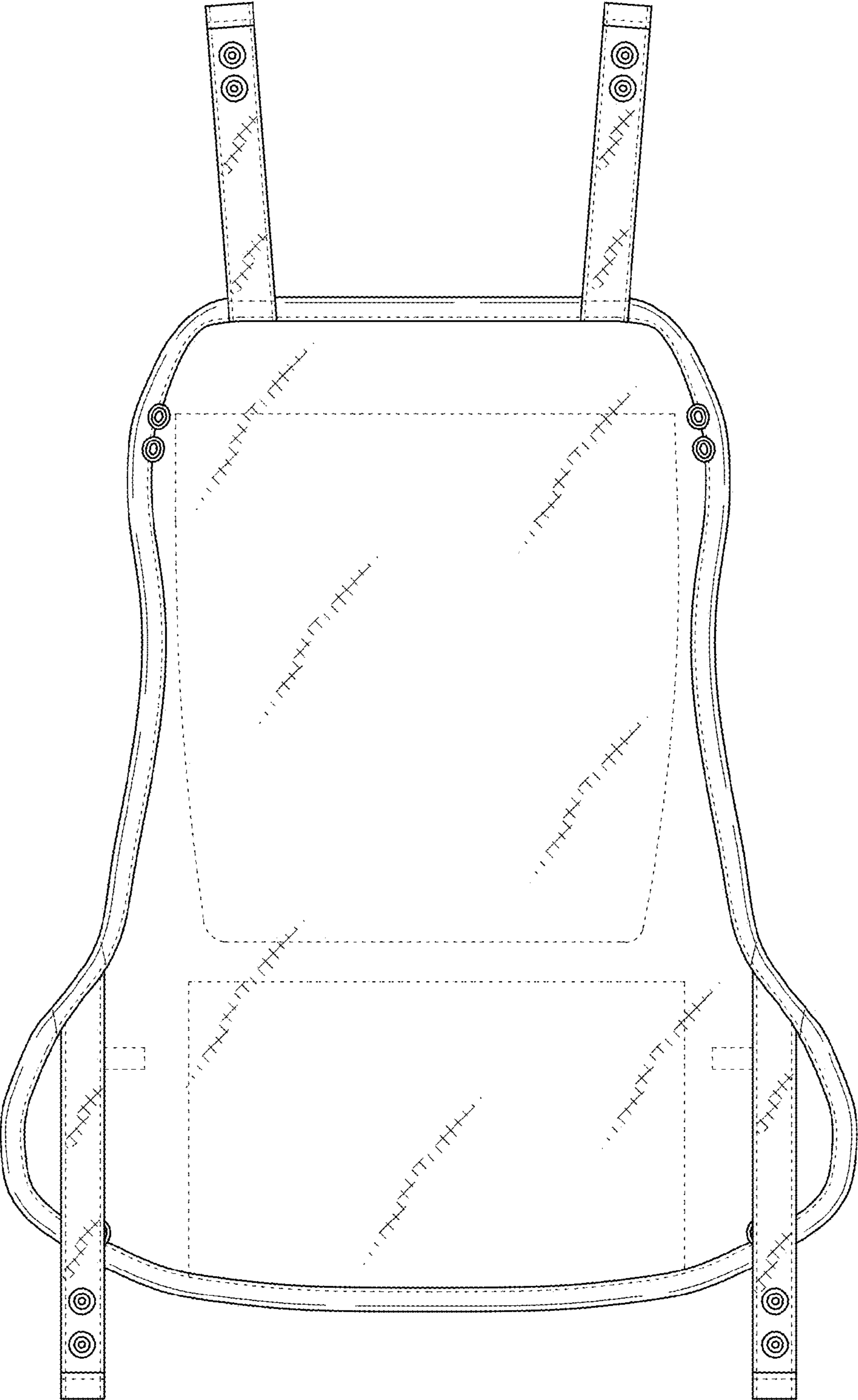


FIG. 5

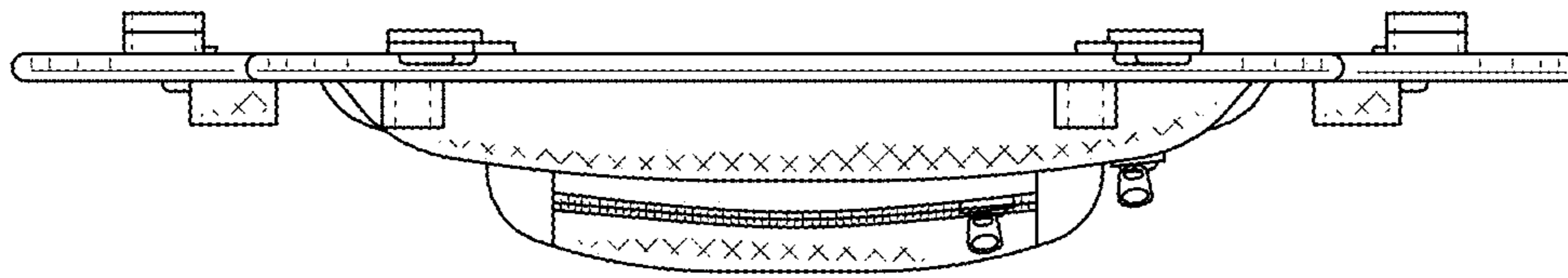


FIG. 6

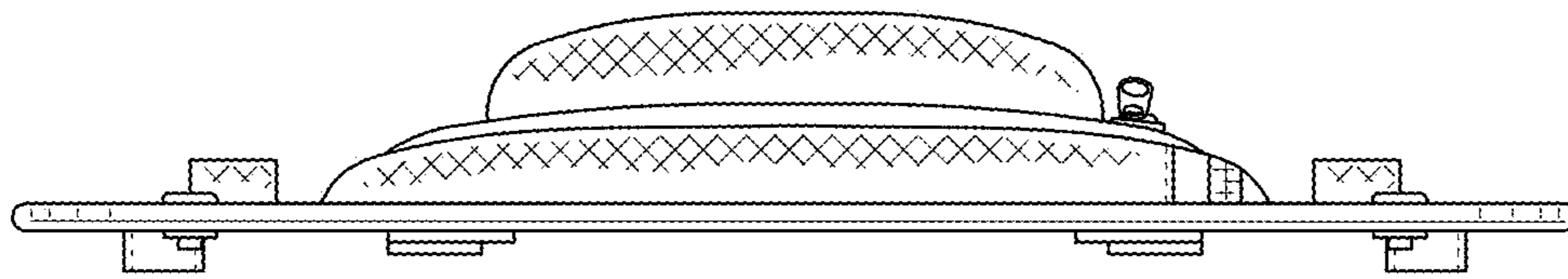


FIG. 7