



US00D883661S

(12) **United States Design Patent**
Olsen et al.

(10) **Patent No.:** **US D883,661 S**

(45) **Date of Patent:** **** May 12, 2020**

(54) **FANNY PACK**

(71) Applicant: **TR Apparel, LLC**, New York, NY
(US)

(72) Inventors: **Mary-Kate Olsen**, New York, NY
(US); **Ashley Olsen**, New York, NY
(US)

(73) Assignee: **TR APPAREL, LLC**, New York, NY
(US)

(**) Term: **15 Years**

(21) Appl. No.: **29/677,043**

(22) Filed: **Jan. 16, 2019**

(51) **LOC (12) Cl.** **03-01**

(52) **U.S. Cl.**
USPC **D3/226**

(58) **Field of Classification Search**
USPC D3/226, 224, 221, 228, 230, 283, 901;
150/107, 113–114; 190/100–105;
224/580, 610, 624, 664, 681, 683, 908
CPC ... A45C 1/04; A45C 11/38; A45F 3/00; A45F
3/02; A45F 3/005; A01K 27/00
See application file for complete search history.

(56) **References Cited**

U.S. PATENT DOCUMENTS

4,545,414 A * 10/1985 Baum A45C 1/04
150/107
6,474,523 B2 * 11/2002 Morrison A45F 3/02
224/197

D869,151 S * 12/2019 Jacobsen D3/226
2015/0075448 A1 * 3/2015 Clark A01K 27/00
119/797
2018/0235332 A1 * 8/2018 Wark A45C 3/00

* cited by examiner

Primary Examiner — Catherine R Oliver-Garcia
(74) *Attorney, Agent, or Firm* — Sheppard, Mullin,
Richter & Hampton LLP

(57) **CLAIM**

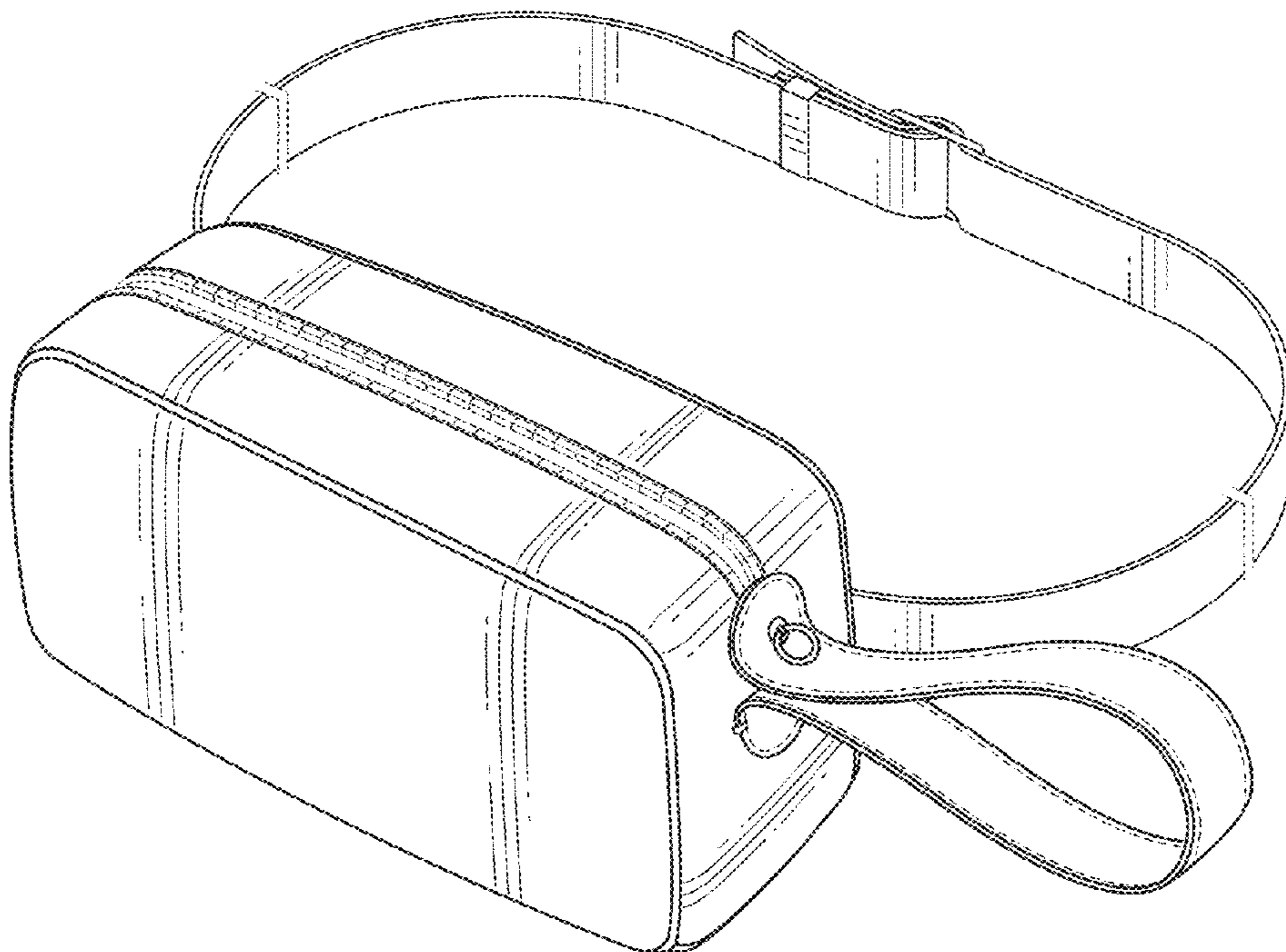
We claim the ornamental design for a fanny pack, as shown and described.

DESCRIPTION

FIG. 1 is a top, front, and right side perspective view of an ornamental design for a fanny pack;
FIG. 2 is a top plan view thereof;
FIG. 3 is a bottom plan view thereof;
FIG. 4 is a left side elevational view thereof;
FIG. 5 is a right side elevational view thereof;
FIG. 6 is a front elevational view thereof;
FIG. 7 is a rear elevational view thereof;
FIG. 8 is a top, front, and right side perspective view of the fanny pack with the zipper opened; and,
FIG. 9 is rear elevational view of the fanny pack with the rear side of the belt removed from view and the rear belt loops visible.

The broken lines disclosed along the belt strap edges, belt loops, center top closure and the bottom center represent top stitching, and are for illustrative purposes only and form no part of the claimed design. The broken lines disclosed in the zipper area of FIG. 8 depict environmental structure and are for illustrative purposes only and form no part of the claimed design. The belt is shown broken away to indicate that no particular length is claim and the portions shown in between do not form part of the claimed design.

1 Claim, 9 Drawing Sheets



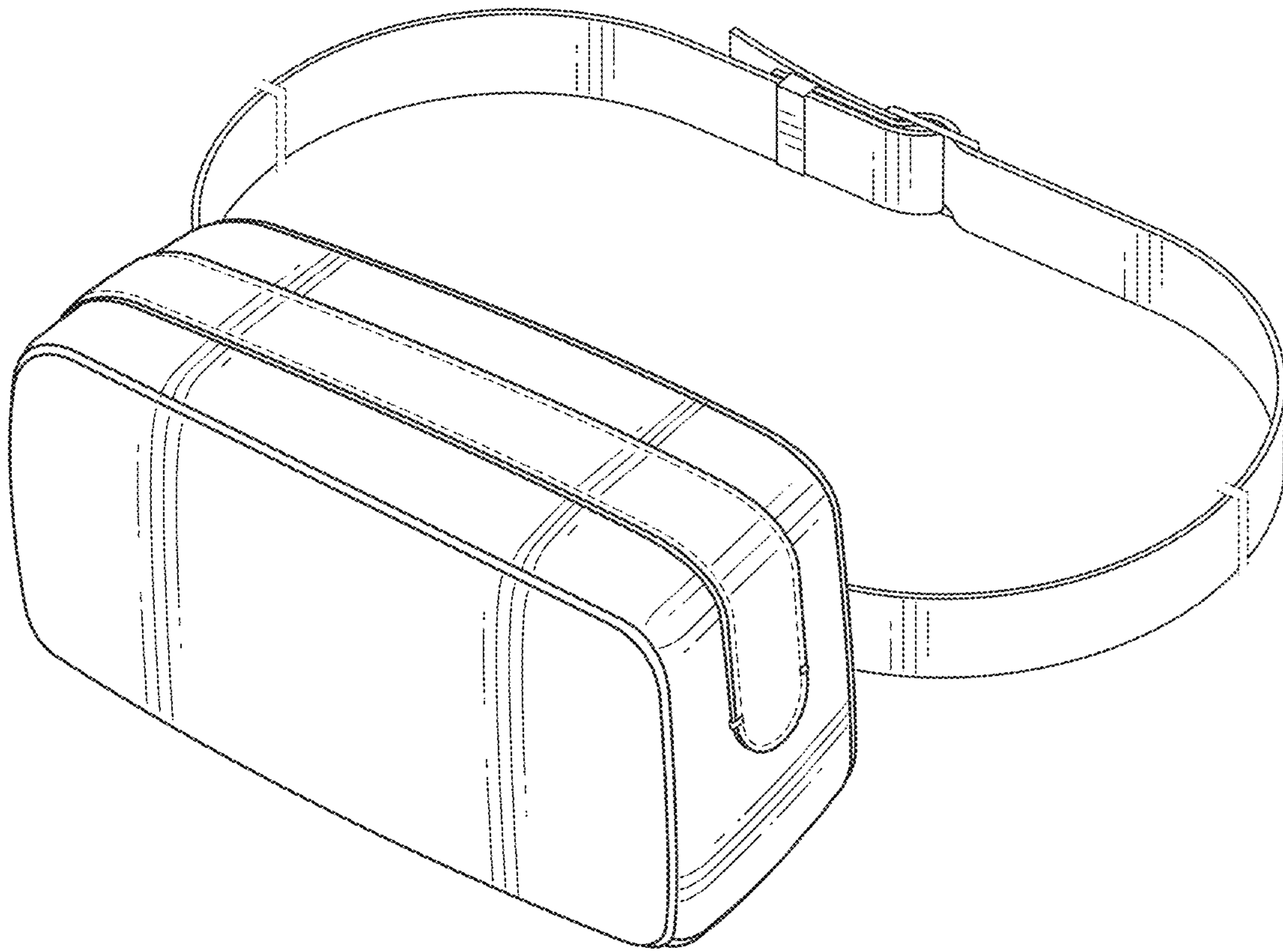


FIG. 1

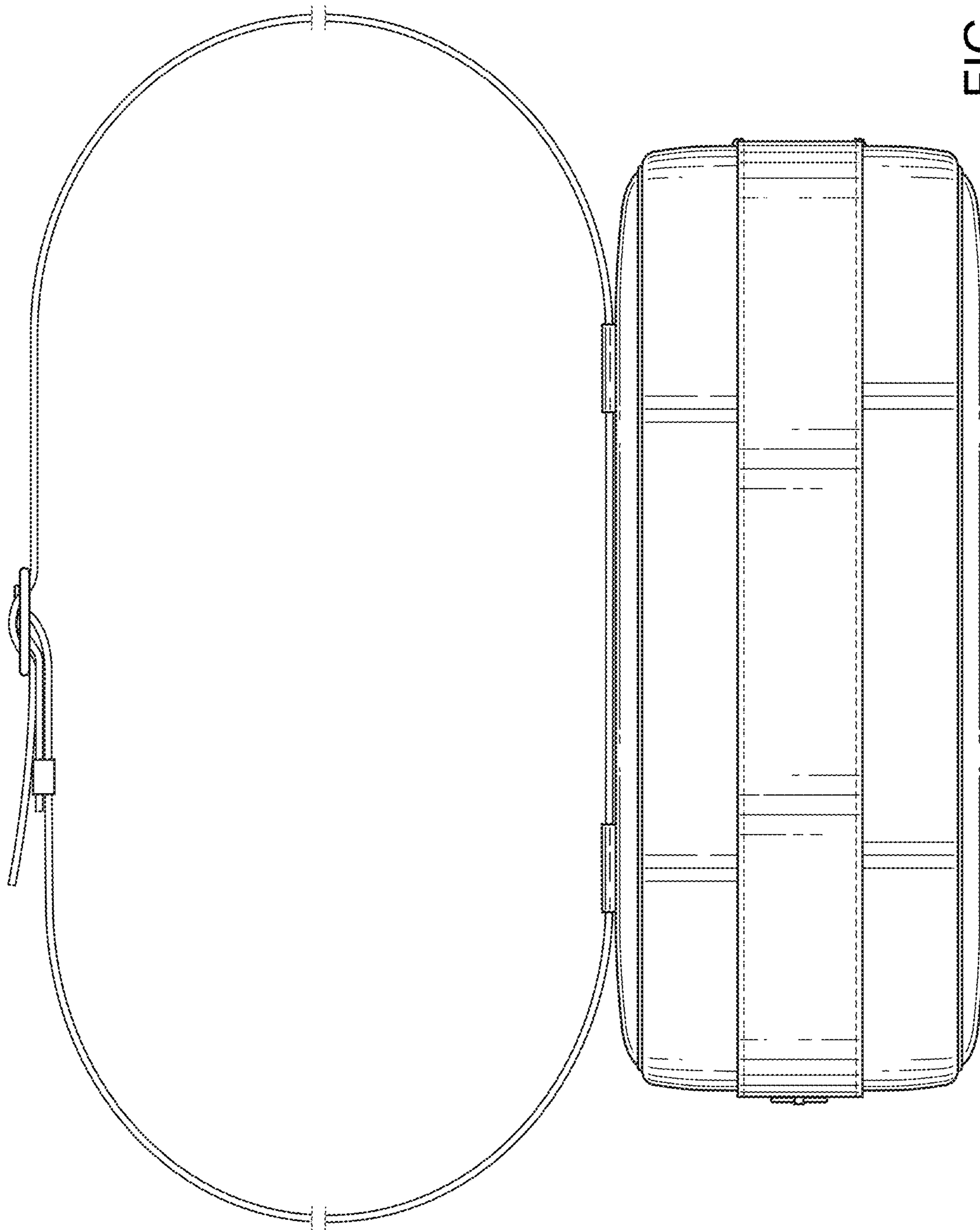


FIG. 2

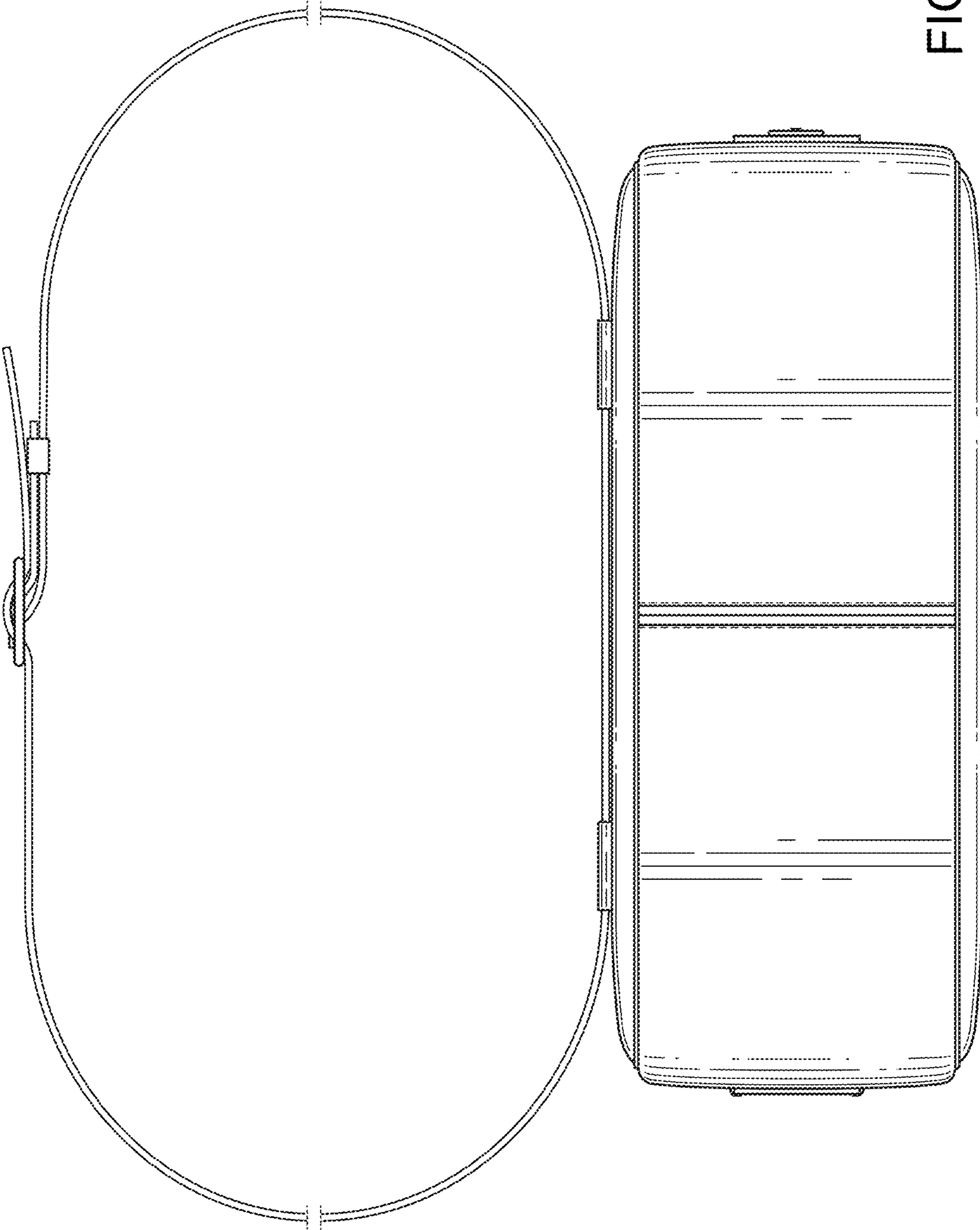


FIG. 3

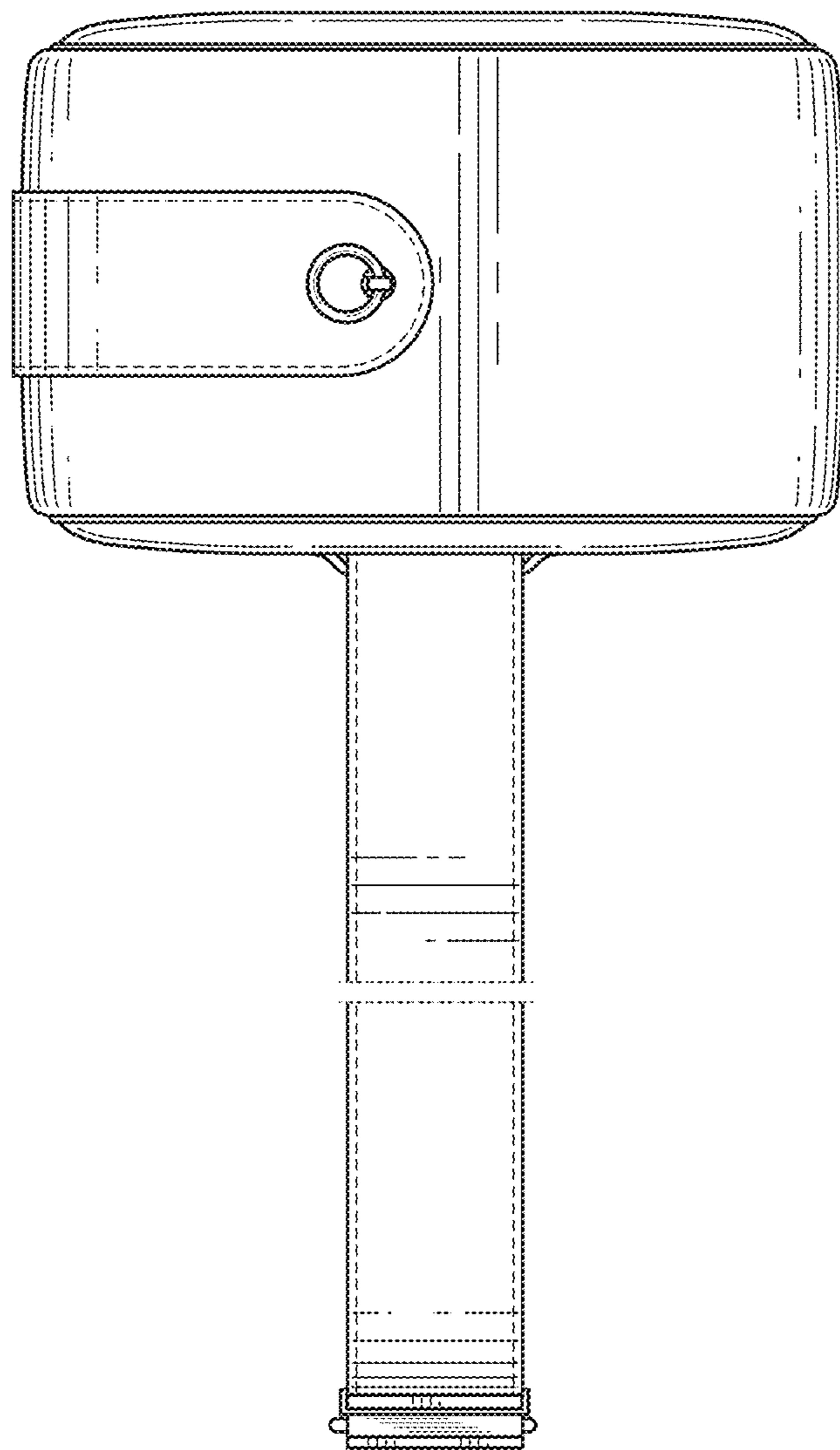


FIG. 4

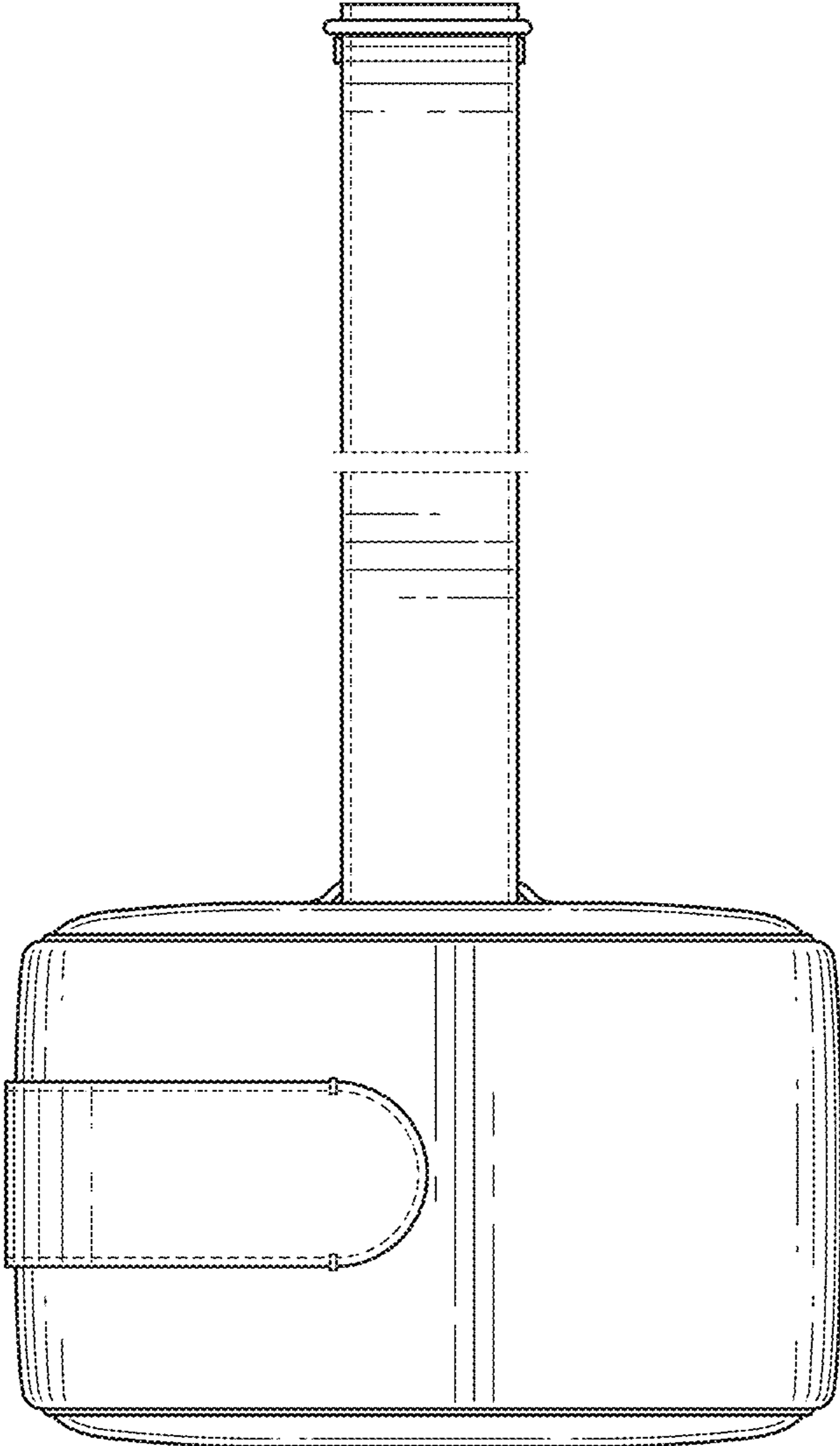


FIG. 5

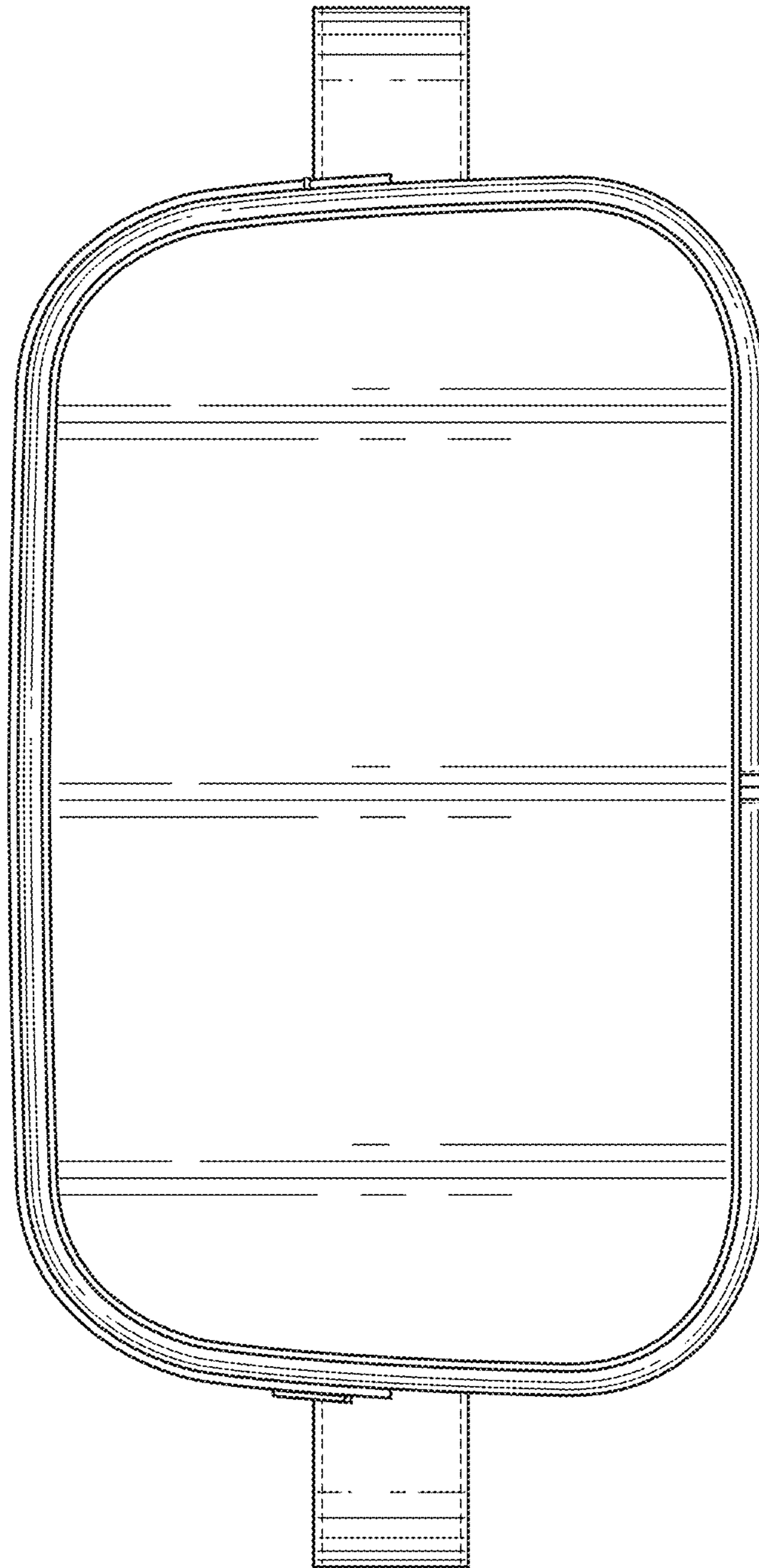


FIG. 6

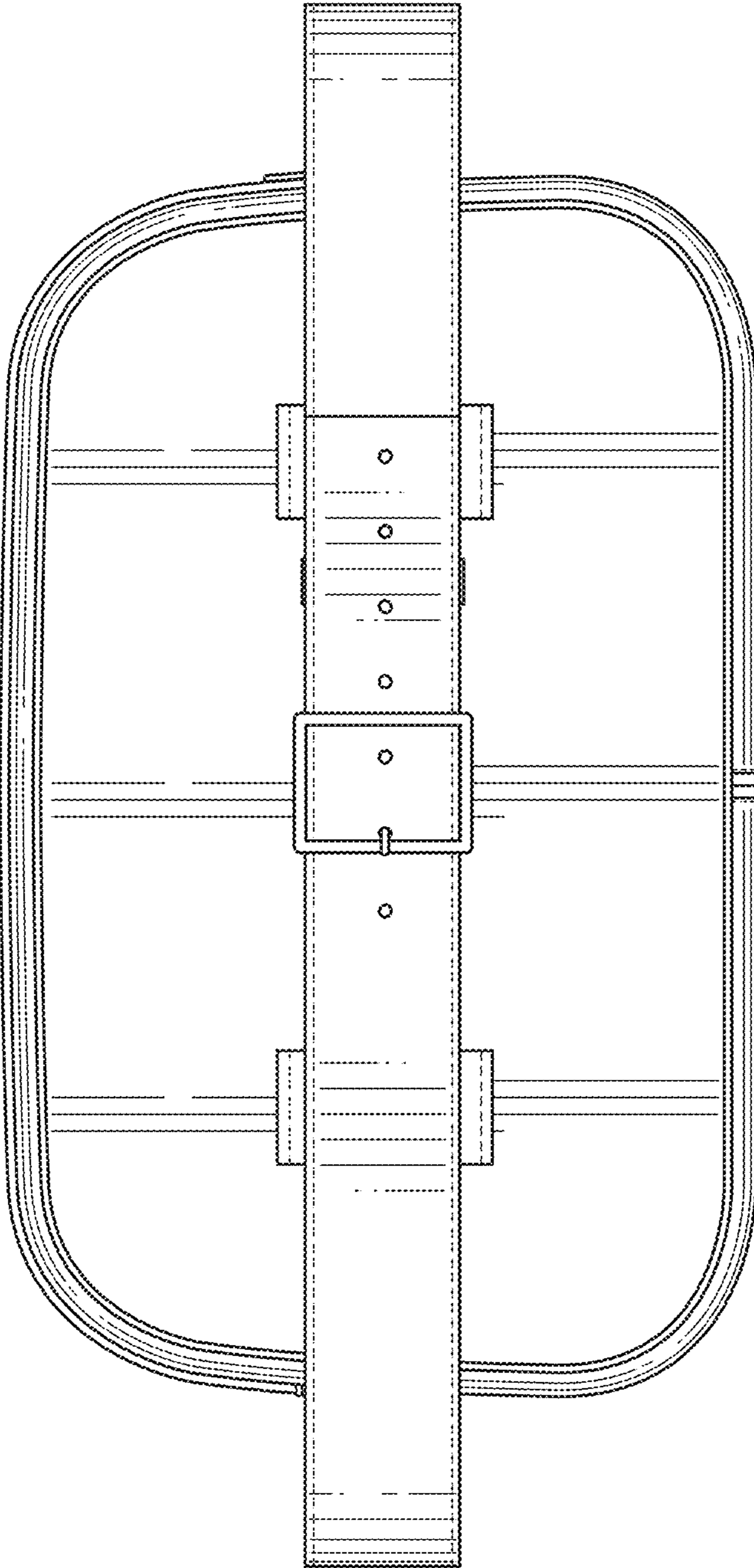


FIG. 7

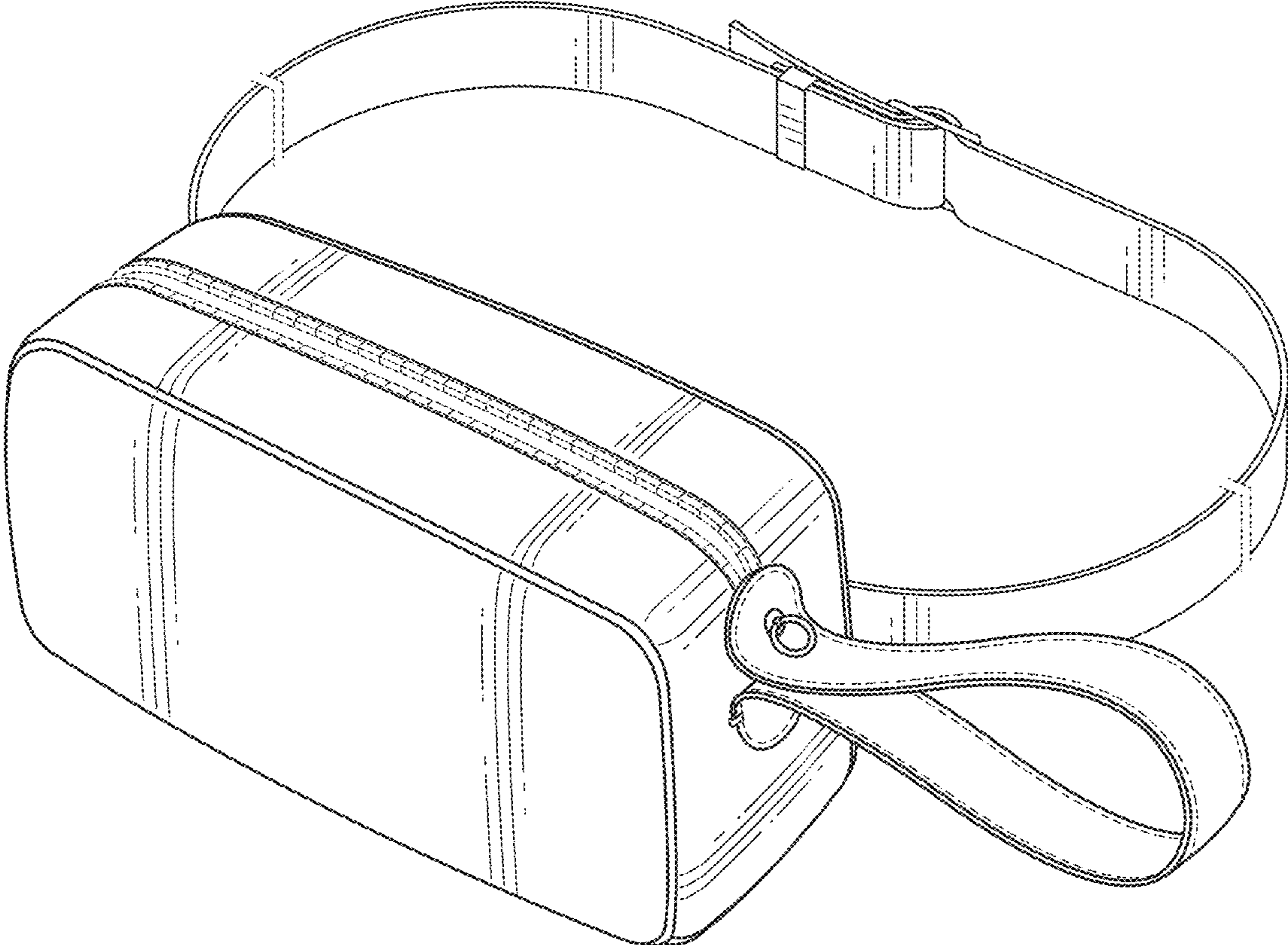


FIG. 8

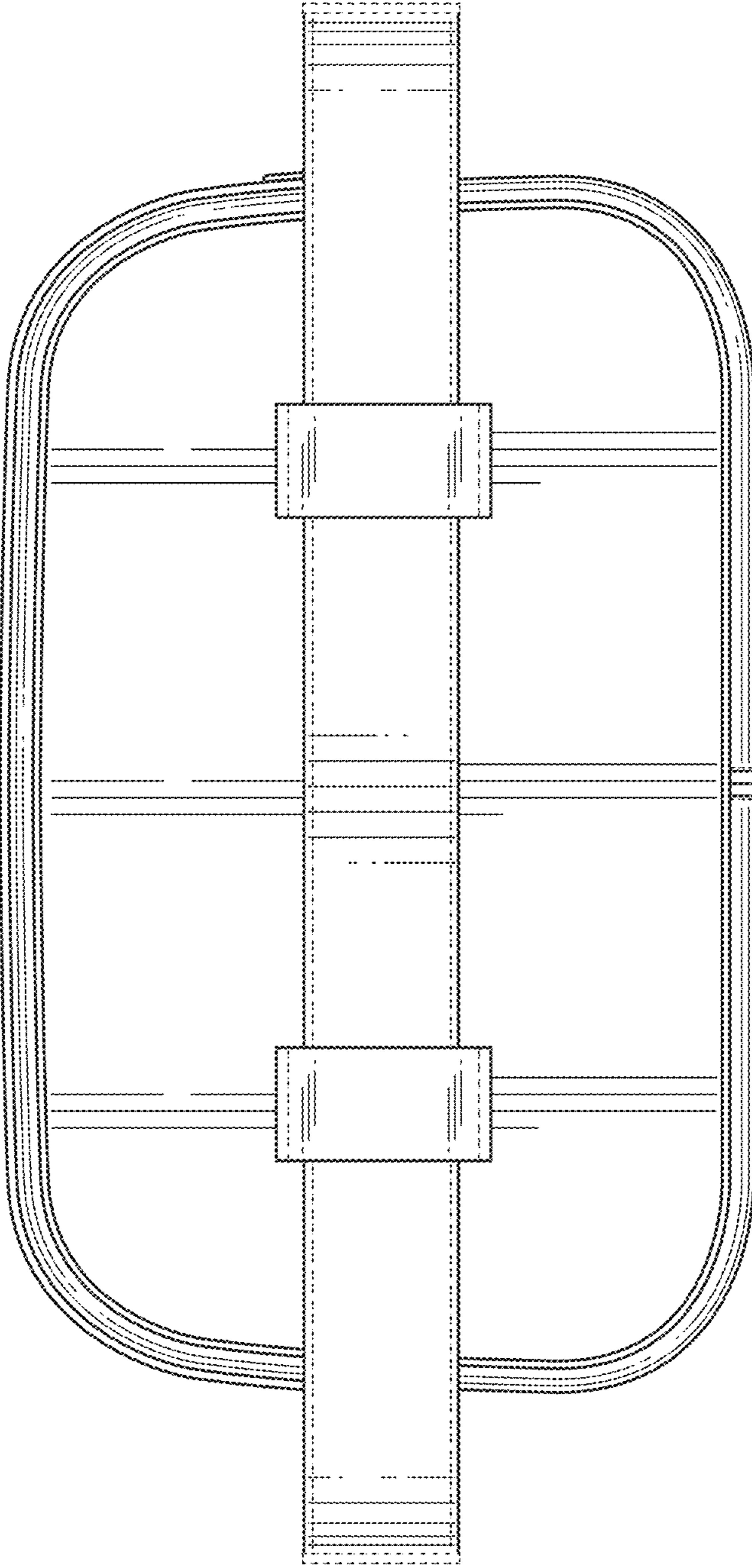


FIG. 9