



US00D883657S

(12) **United States Design Patent** (10) **Patent No.:** **US D883,657 S**
Luo (45) **Date of Patent:** **** May 12, 2020**

(54) **SHARK BACKPACK**
(71) Applicant: **Yafei Luo**, Tsim Sha Tsui (HK)
(72) Inventor: **Yafei Luo**, Tsim Sha Tsui (HK)
(**) Term: **15 Years**
(21) Appl. No.: **29/646,773**
(22) Filed: **May 7, 2018**
(51) **LOC (12) Cl.** **03-01**
(52) **U.S. Cl.**
USPC **D3/216; D3/271.2**
(58) **Field of Classification Search**
USPC D3/215-217, 273, 289, 290, 318, 321,
D3/322, 323, 243, 244, 246, 232, 211,
D3/223, 234, 238, 248, 270, 271.2, 325;
383/72
CPC A45F 4/02; A45F 4/08; A45F 2200/05;
A45F 2200/0525; A45F 3/04; A45F
3/042; A45F 3/047; A45F 3/08; A45F
3/10; A45F 3/14; A45C 13/08; A45C
13/083; A45C 13/1046; A45C 2003/007;
A45C 3/10
See application file for complete search history.

D804,167 S * 12/2017 Shaholli D3/216
D809,784 S * 2/2018 Lee D3/217
2017/0119121 A1* 5/2017 Munoz A45C 3/001

OTHER PUBLICATIONS

Johlycao Laundry Hamper Bag . . . , posted at amazon.com, no posting date, online, URL: <https://www.amazon.com/Johlycao-Laundry-Storage-Organizers-Folding/dp/B07HNRHWN9> (Year: 2019).*

Tiff Shark Backpack, posted at shop.nordstrom.com, no posting date, online, URL: <https://shop.nordstrom.com/s/sprayground-tiff-shark-backpack/4941827> (Year: 2019).*

Tineye reverse image search on NPL reference V, first found Jul. 20, 2017, online, URL: <https://tineye.com/search/04bfeb08ba3e58f351c62948d052c9e8a7c60384?page=1> (Year: 2017).*

* cited by examiner

Primary Examiner — Barbara Fox
Assistant Examiner — Mary Shannon Malley

(57) **CLAIM**

The ornamental design for a shark backpack, as shown and described.

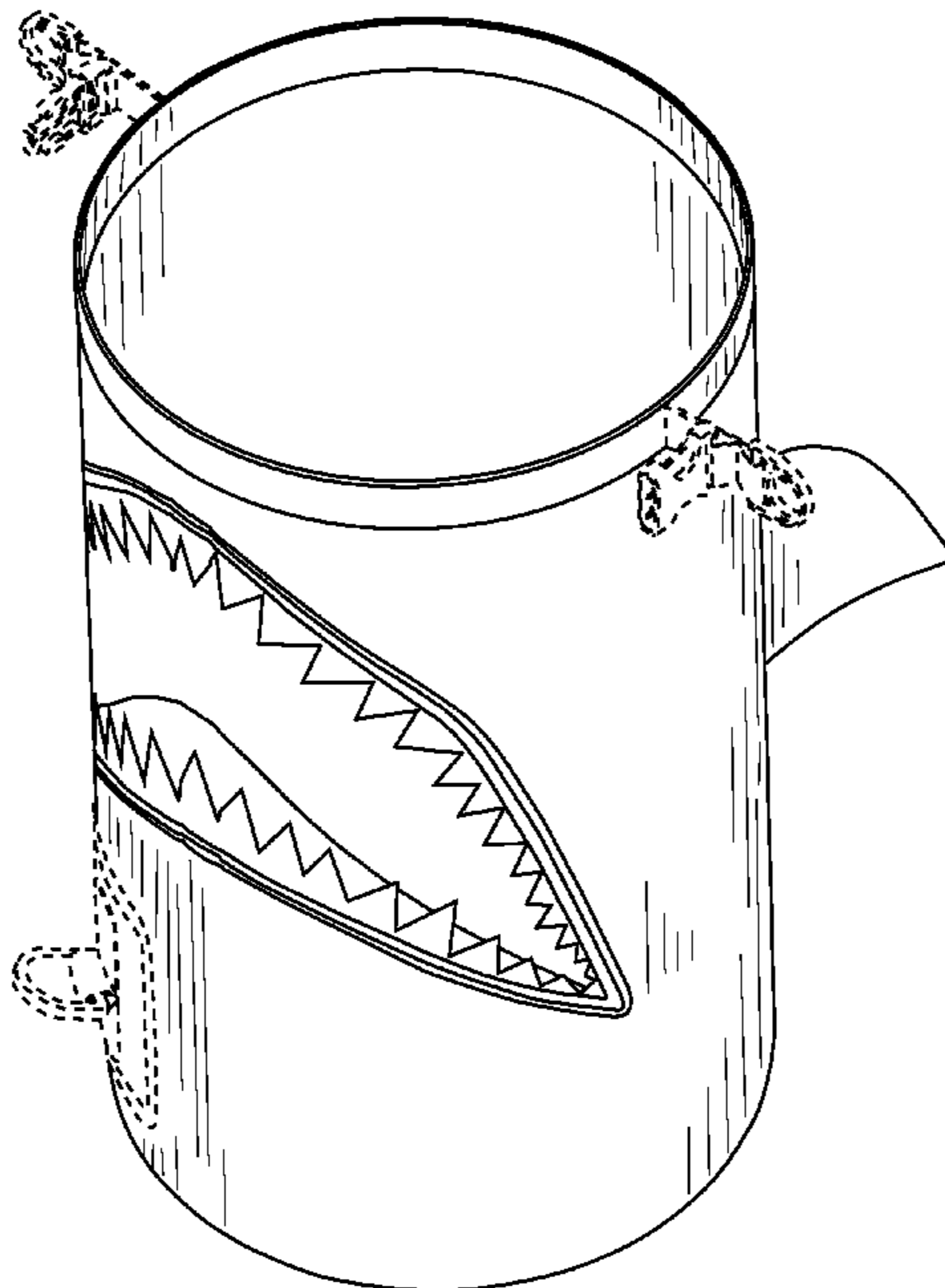
DESCRIPTION

FIG. 1 is a perspective view of a shark backpack showing my new design;
FIG. 2 is a front view thereof;
FIG. 3 is a back view thereof;
FIG. 4 is a top view thereof;
FIG. 5 is a bottom view thereof;
FIG. 6 is a left view thereof; and,
FIG. 7 is a right view thereof.
The broken lines showing of buckles and connectors in FIGS. 1-7 are included for the purpose of showing environmental structure and form no part of the claimed design.

(56) **References Cited**
U.S. PATENT DOCUMENTS

D433,800 S * 11/2000 Chapman D3/216
D438,712 S * 3/2001 Chapman D3/216
D699,031 S * 2/2014 Clavette D3/216
D699,033 S * 2/2014 Welch D21/599
D772,561 S * 11/2016 Polunsky D3/216
D802,294 S * 11/2017 Sola D3/202
D803,550 S * 11/2017 Shaholli D3/216
D803,551 S * 11/2017 Shaholli D3/216
D803,556 S * 11/2017 Dumas D3/246

1 Claim, 7 Drawing Sheets



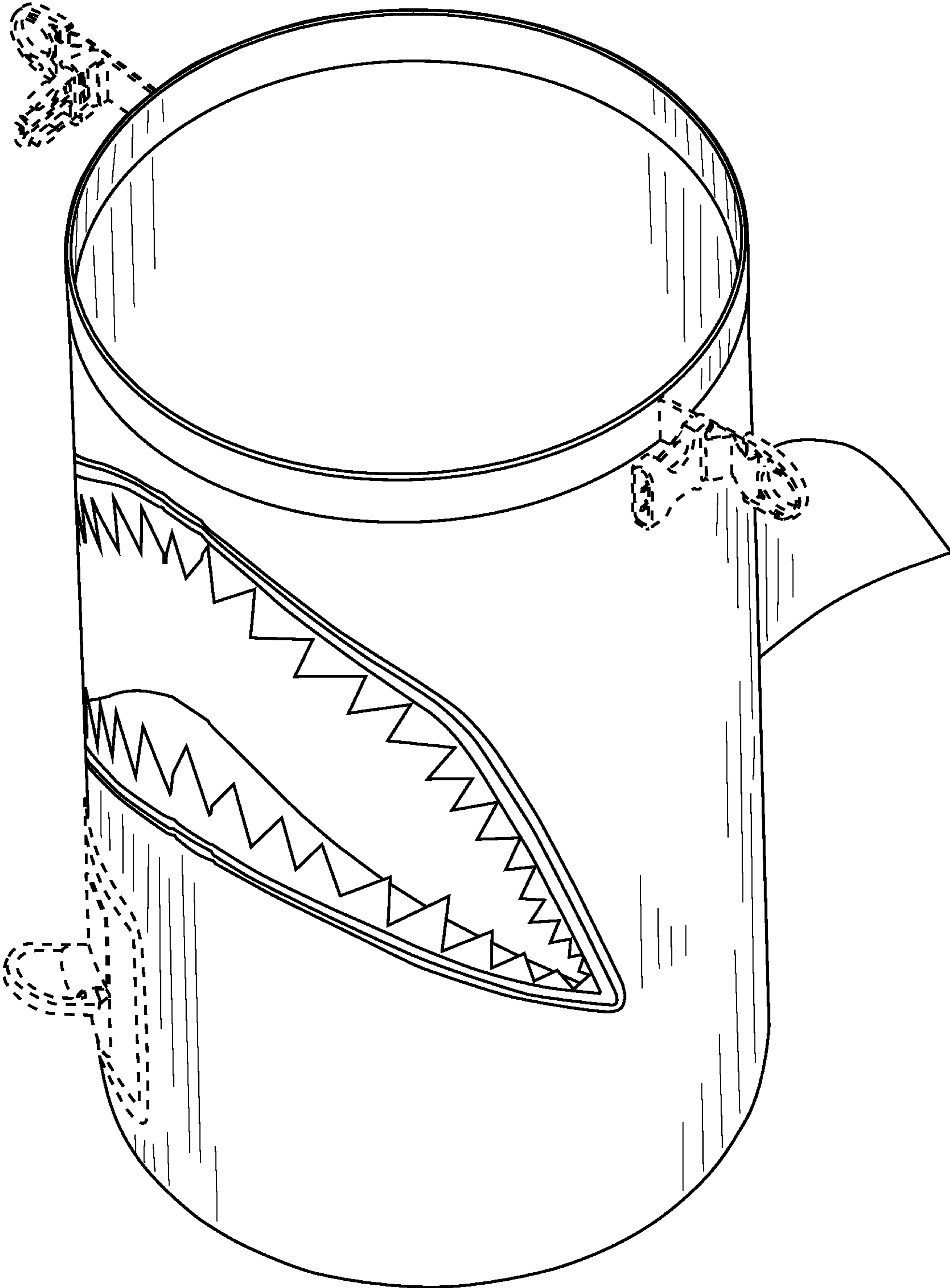


FIG. 1

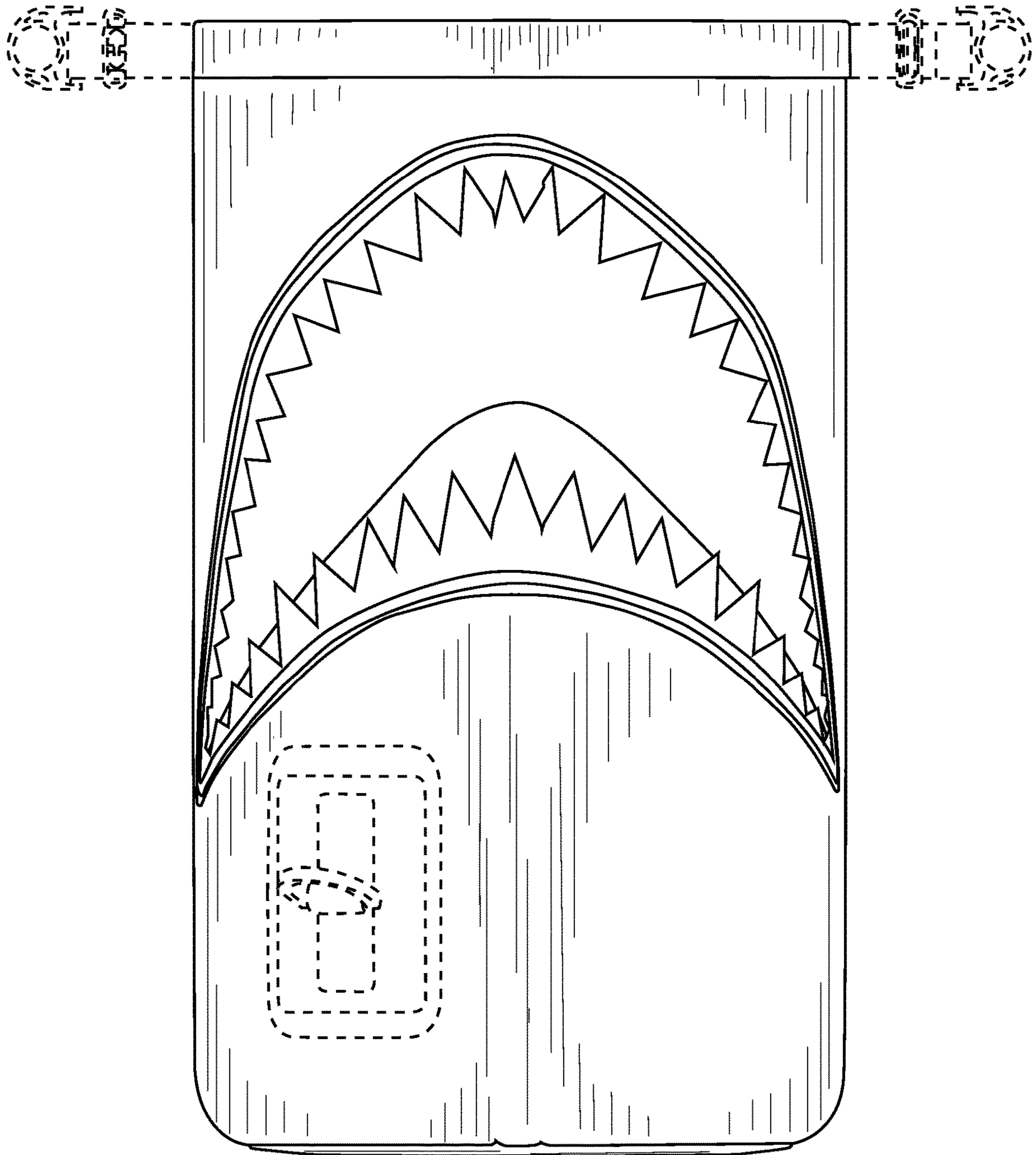


FIG. 2

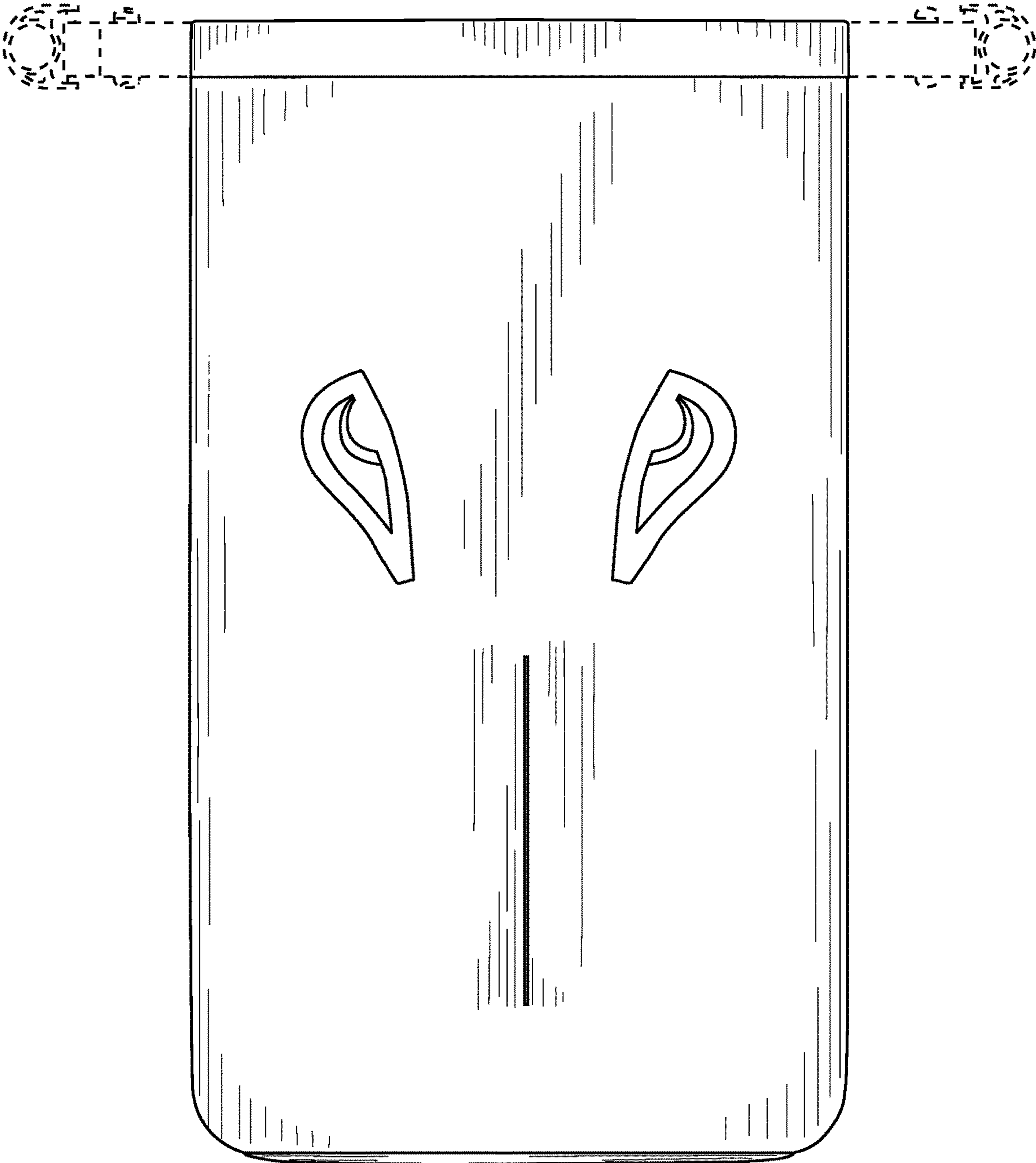


FIG. 3

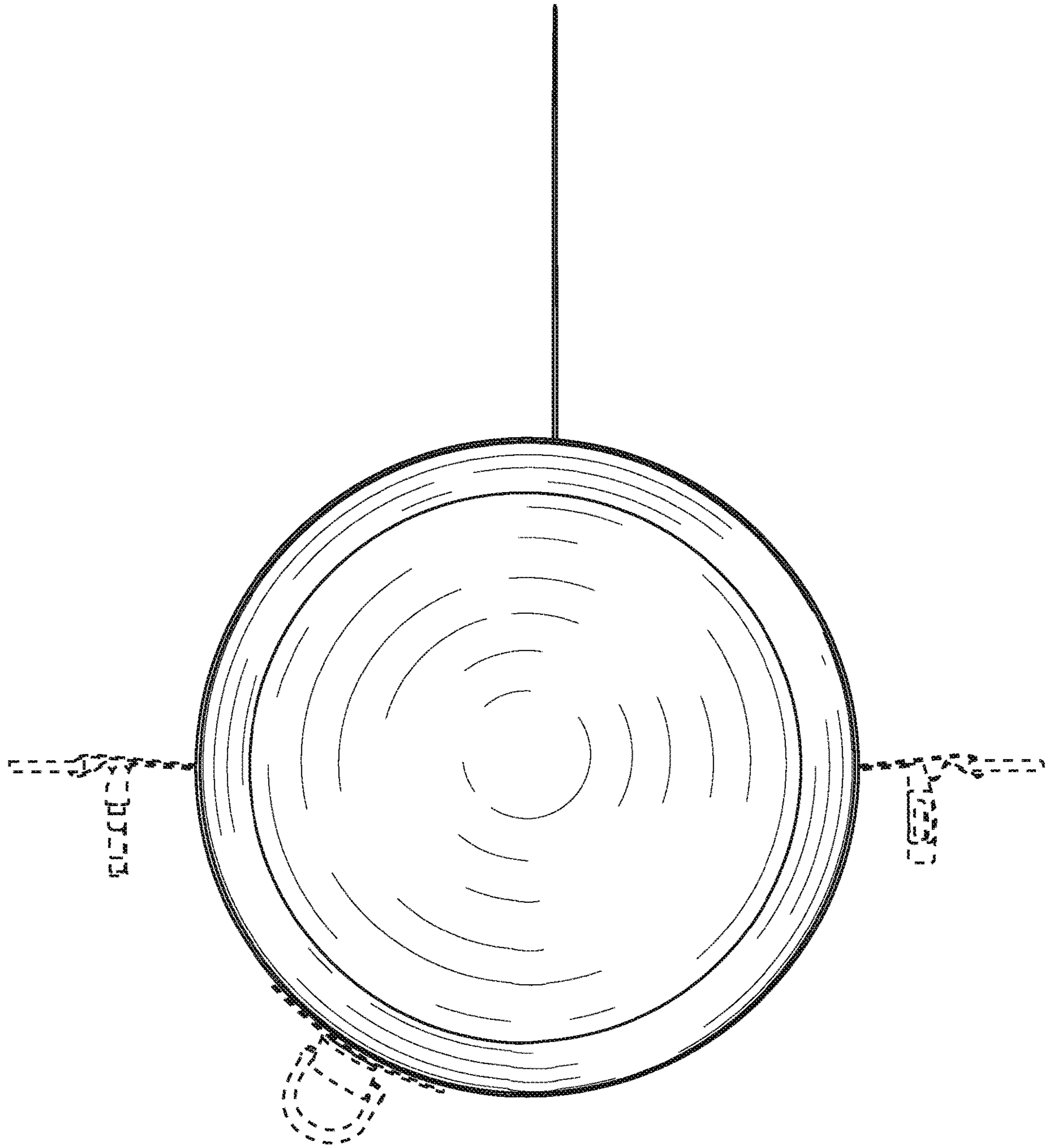


FIG. 4

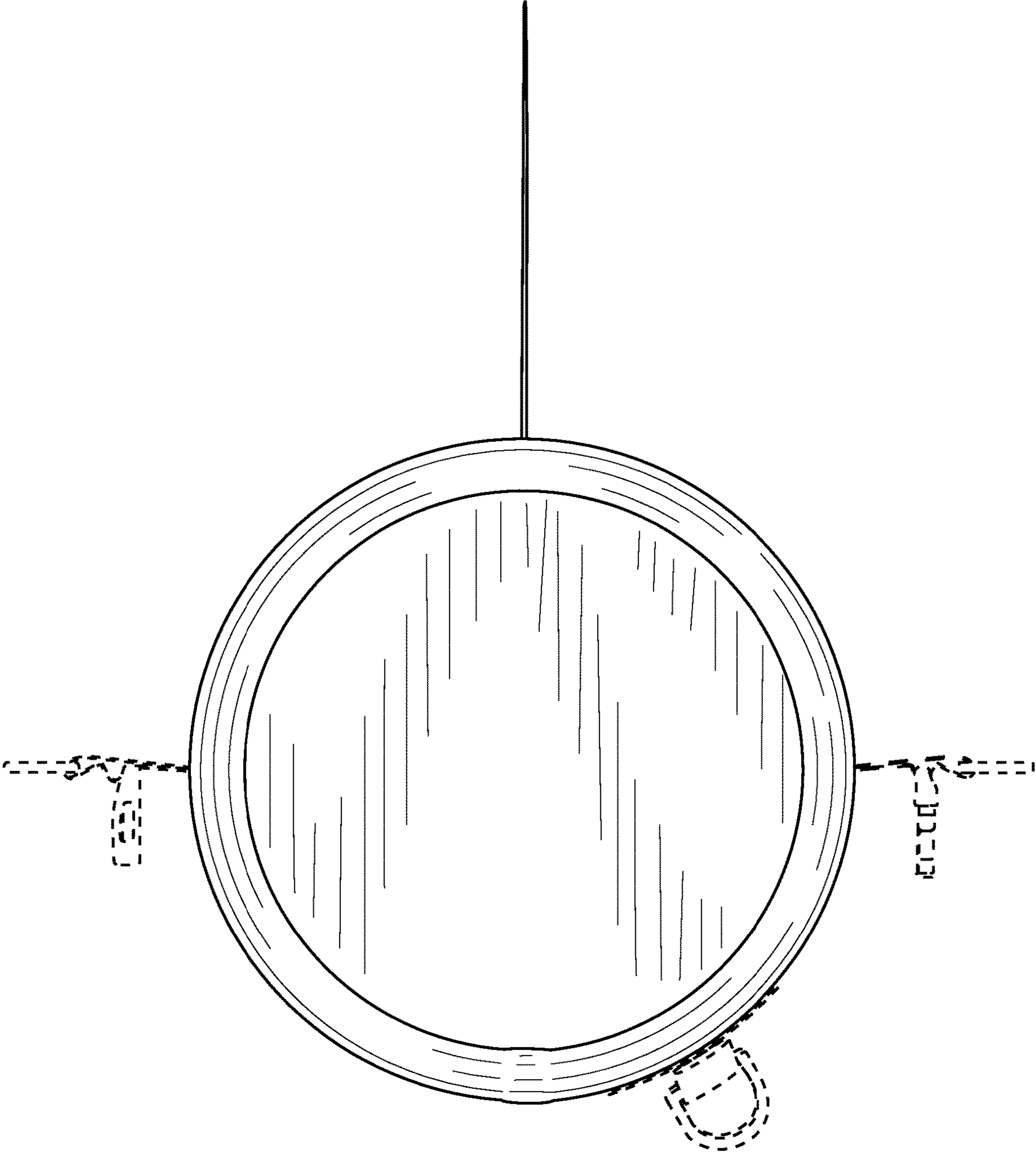


FIG. 5

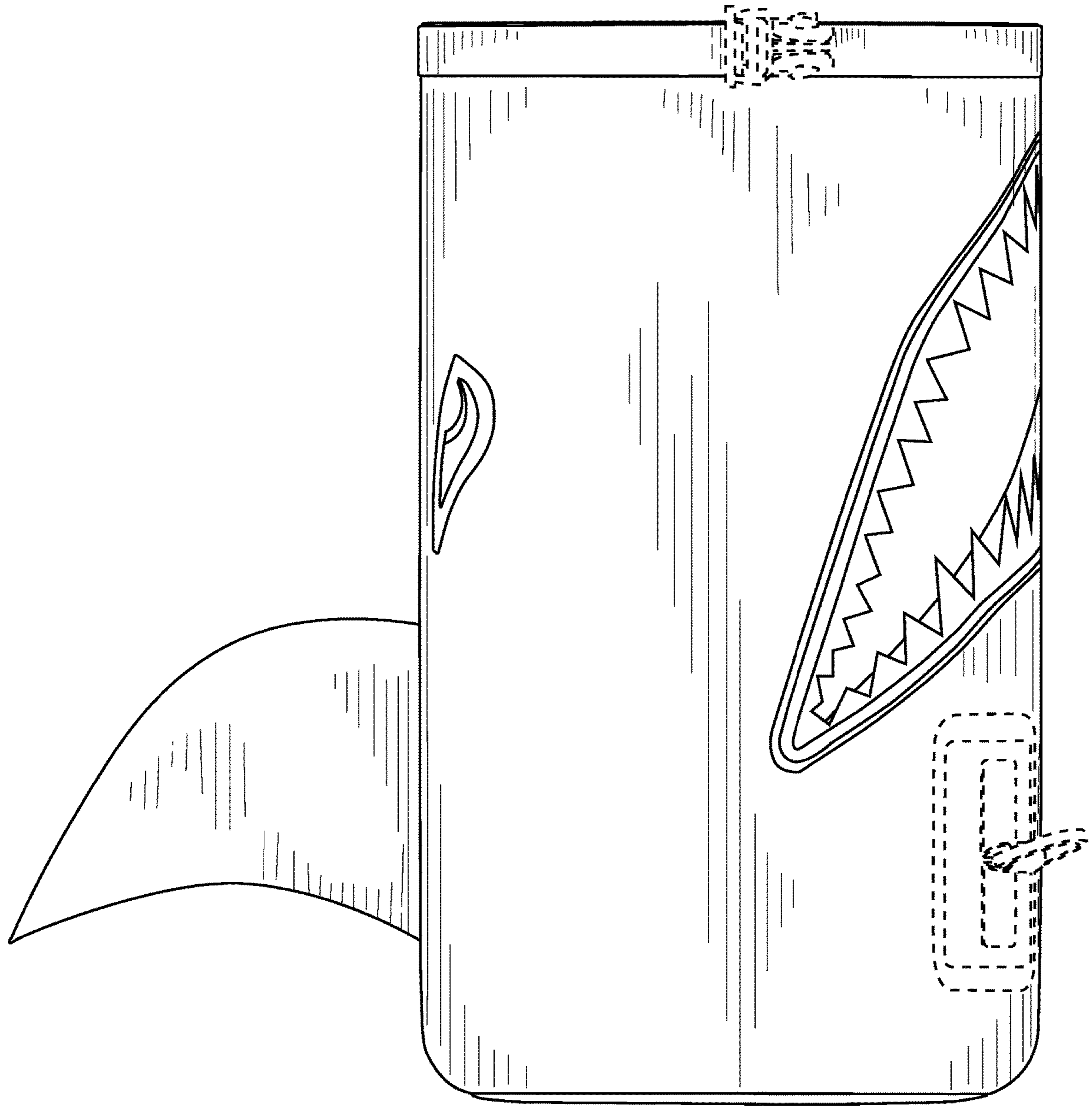


FIG. 6

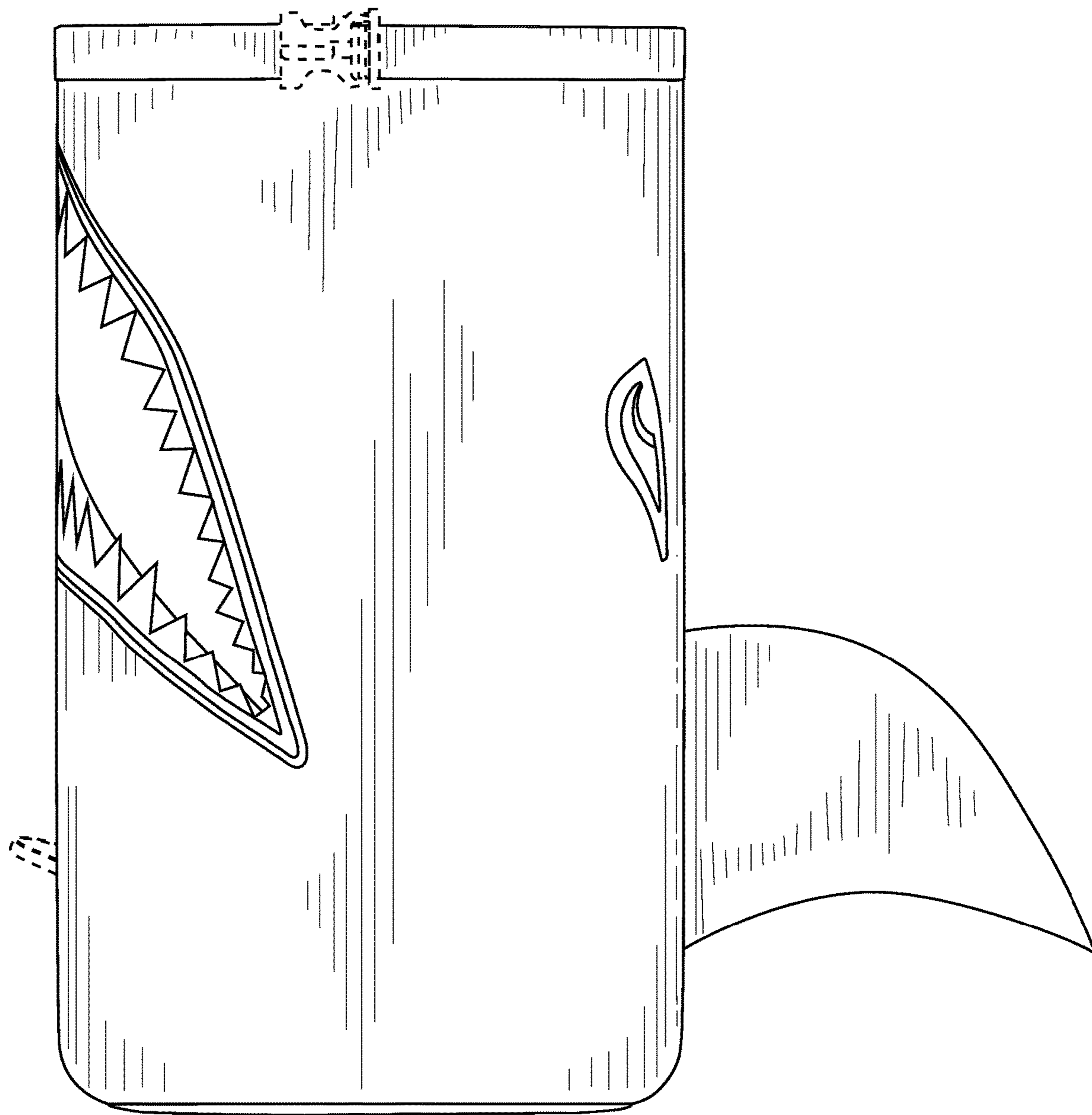


FIG. 7