



US00D883654S

(12) **United States Design Patent**
Cain et al.

(10) **Patent No.:** **US D883,654 S**

(45) **Date of Patent:** **** May 12, 2020**

(54) **ORTHODONTIC CASE**
(71) Applicant: **3M INNOVATIVE PROPERTIES COMPANY**, St. Paul, MN (US)

D379,512 S 5/1997 Dieken
D403,065 S 12/1998 Dieken
D410,285 S 5/1999 Packard
D468,199 S * 1/2003 Lambelet, Jr. D9/423
(Continued)

(72) Inventors: **John W. Cain**, Elk River, MN (US);
Jennifer K. Tully, St. Paul, MN (US)

FOREIGN PATENT DOCUMENTS

(73) Assignee: **3M INNOVATIVE PROPERTIES COMPANY**, St. Paul, MN (US)

CN 3510339 3/2006
CN 3584903 11/2006
(Continued)

(**) Term: **15 Years**

Primary Examiner — Steven J Czyz

(21) Appl. No.: **29/621,005**

(74) *Attorney, Agent, or Firm* — 3M Innovative Properties Compa

(22) Filed: **Oct. 3, 2017**

(57) **CLAIM**

(51) **LOC (12) Cl.** **03-01**

The ornamental design for an orthodontic case, as shown and described.

(52) **U.S. Cl.**

DESCRIPTION

USPC **D3/203.1**

(58) **Field of Classification Search**

USPC D3/201, 203.1, 205, 273, 294; D9/414, D9/424, 425, 426, 428; D28/78, 82, 88

CPC B65D 5/0085; B65D 5/66; B65D 11/00; B65D 11/18; B65D 43/162; B65D

77/006; B65D 51/04; B65D 2251/10;

A61C 7/00; A45D 44/20

See application file for complete search history.

FIG. 1 is a perspective view of an orthodontic case showing our new design;
FIG. 2 is a front view thereof;
FIG. 3 is a back view thereof;
FIG. 4 is a left side view thereof;
FIG. 5 is a right side view thereof;
FIG. 6 is a top view thereof;
FIG. 7 is a bottom view thereof;
FIG. 8 is a perspective view of the orthodontic case, shown in a closed position;
FIG. 9 is a front view thereof;
FIG. 10 is a back view thereof;
FIG. 11 is a left side view thereof;
FIG. 12 is a right side view thereof;
FIG. 13 is a top view thereof; and,
FIG. 14 is a bottom view thereof.

In the drawings, the evenly-spaced broken lines depict portions of the article that form no part of the claimed design; the dash-dot-dash lines represent boundaries of the claimed design and form no part thereof.

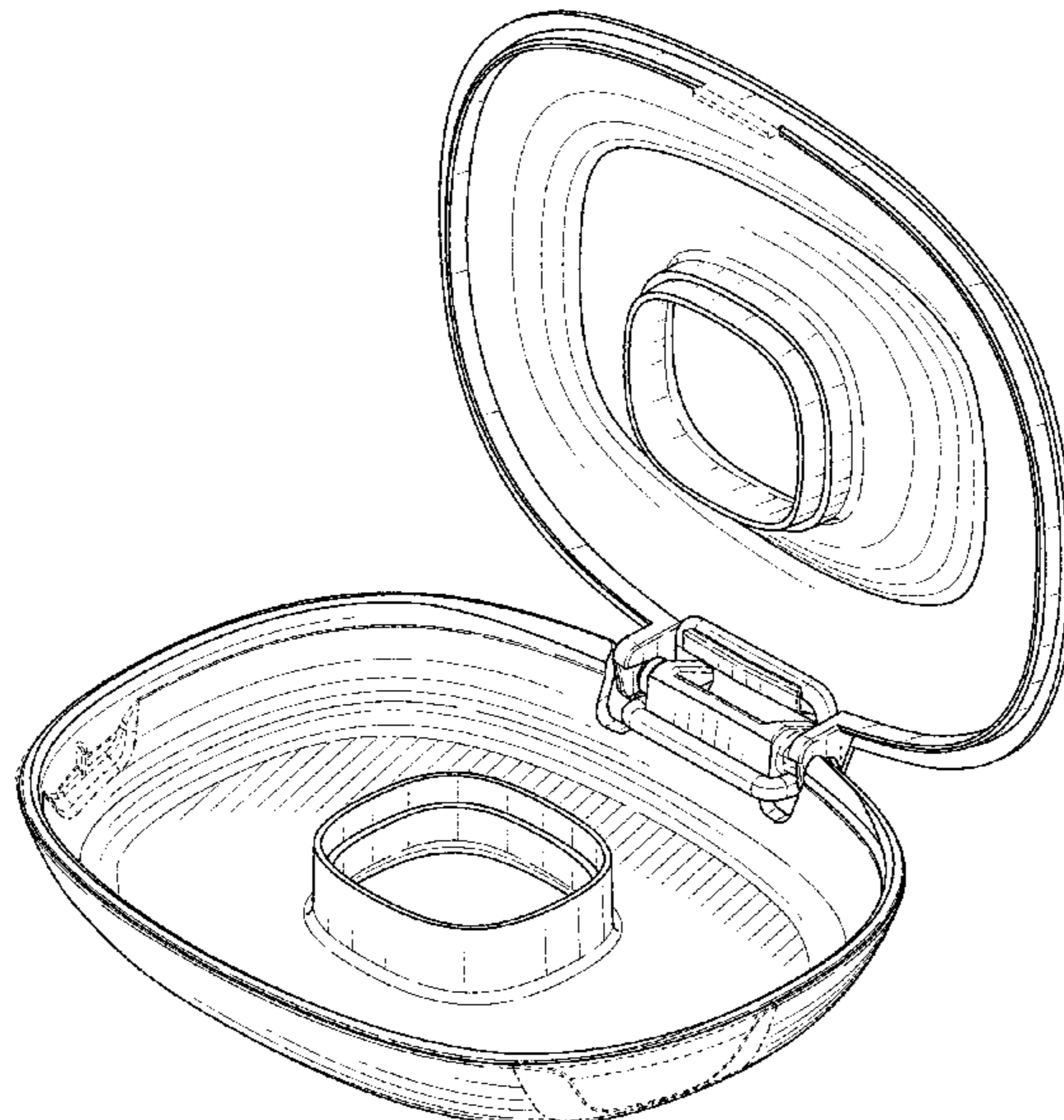
(56) **References Cited**

U.S. PATENT DOCUMENTS

D256,951 S 9/1980 Allen
D257,790 S * 1/1981 Kesling D24/227
D277,890 S 3/1985 Loughridge
4,966,319 A * 10/1990 Fleming A45C 11/00
206/459.5

D323,394 S 1/1992 Casto
D337,381 S 7/1993 Dufresne
D338,269 S 8/1993 Dufresne
D367,878 S * 3/1996 Lee D18/17
D373,824 S 9/1996 Packard
D373,954 S * 9/1996 Wolff D3/302

1 Claim, 11 Drawing Sheets



(56)

References Cited

FOREIGN PATENT DOCUMENTS

U.S. PATENT DOCUMENTS

D475,618 S * 6/2003 Barnes D9/414
 D476,572 S * 7/2003 Merritt D28/82
 D480,864 S * 10/2003 Sayers D3/203.1
 D483,559 S * 12/2003 Eldon, III D3/203.1
 D484,795 S * 1/2004 Barnes D9/414
 D488,928 S * 4/2004 Foley D3/283
 D502,807 S * 3/2005 Jaron D3/273
 D523,750 S * 6/2006 Lee D28/82
 D534,423 S * 1/2007 Tanner D9/426
 D540,038 S * 4/2007 Hussaini D3/201
 D561,470 S * 2/2008 Jalet D3/294
 D634,115 S * 3/2011 Long, Jr. D3/201
 D636,598 S * 4/2011 Tseng D3/294
 D641,164 S * 7/2011 Cornu D3/294
 D655,079 S * 3/2012 Patenaude D3/203.1
 D674,181 S * 1/2013 Faulkner D24/231
 D707,446 S * 6/2014 Svahn D3/273
 D750,241 S 2/2016 Shan
 D839,583 S * 2/2019 Cao D3/201
 10,273,037 B2 * 4/2019 Pan A61F 6/005

CN 300901549 4/2009
 CN 301162863 3/2010
 CN 301247780 6/2010
 CN 301796333 1/2012
 CN 301942067 5/2012
 CN 302945032 9/2014
 CN 304062471 3/2017
 CN 304119155 4/2017
 DE 9105644-0001 3/1992
 DE 9105644-0002 3/1992
 DE 9105644-0003 3/1992
 DE 9500776-0001 7/1995
 DE 9500776-0002 7/1995
 EM 002518068-0001 8/2014
 EM 002953497-0001 3/2016
 EM 003790393-0001 6/2017
 EM 003790393-0002 6/2017
 WO WO 019101-002 5/1991
 WO WO 019101-003 5/1991
 WO WO 019101-004 5/1991
 WO WO 019101-007 5/1991
 WO WO 019101-008 5/1991

* cited by examiner

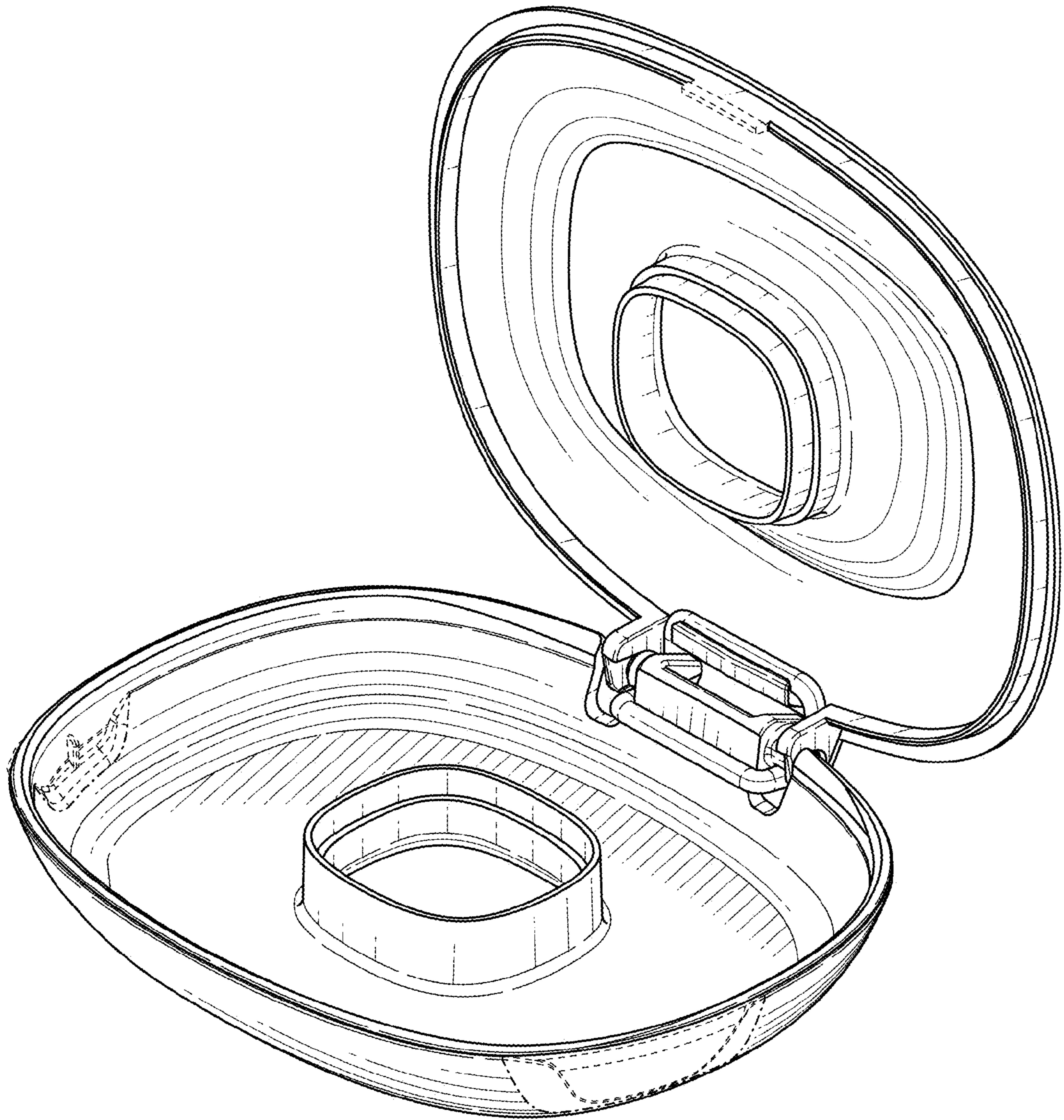


FIG. 1

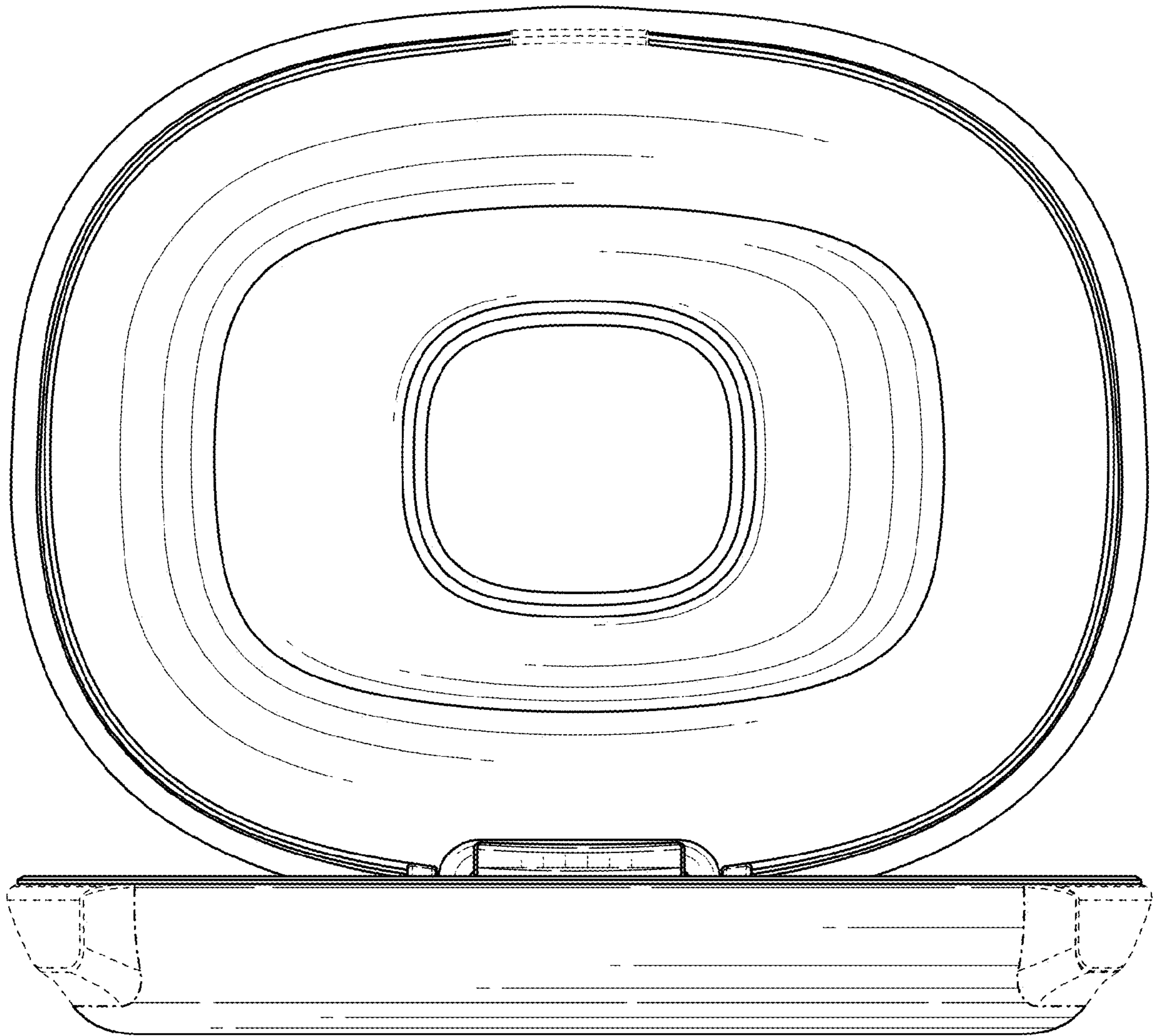


FIG. 2

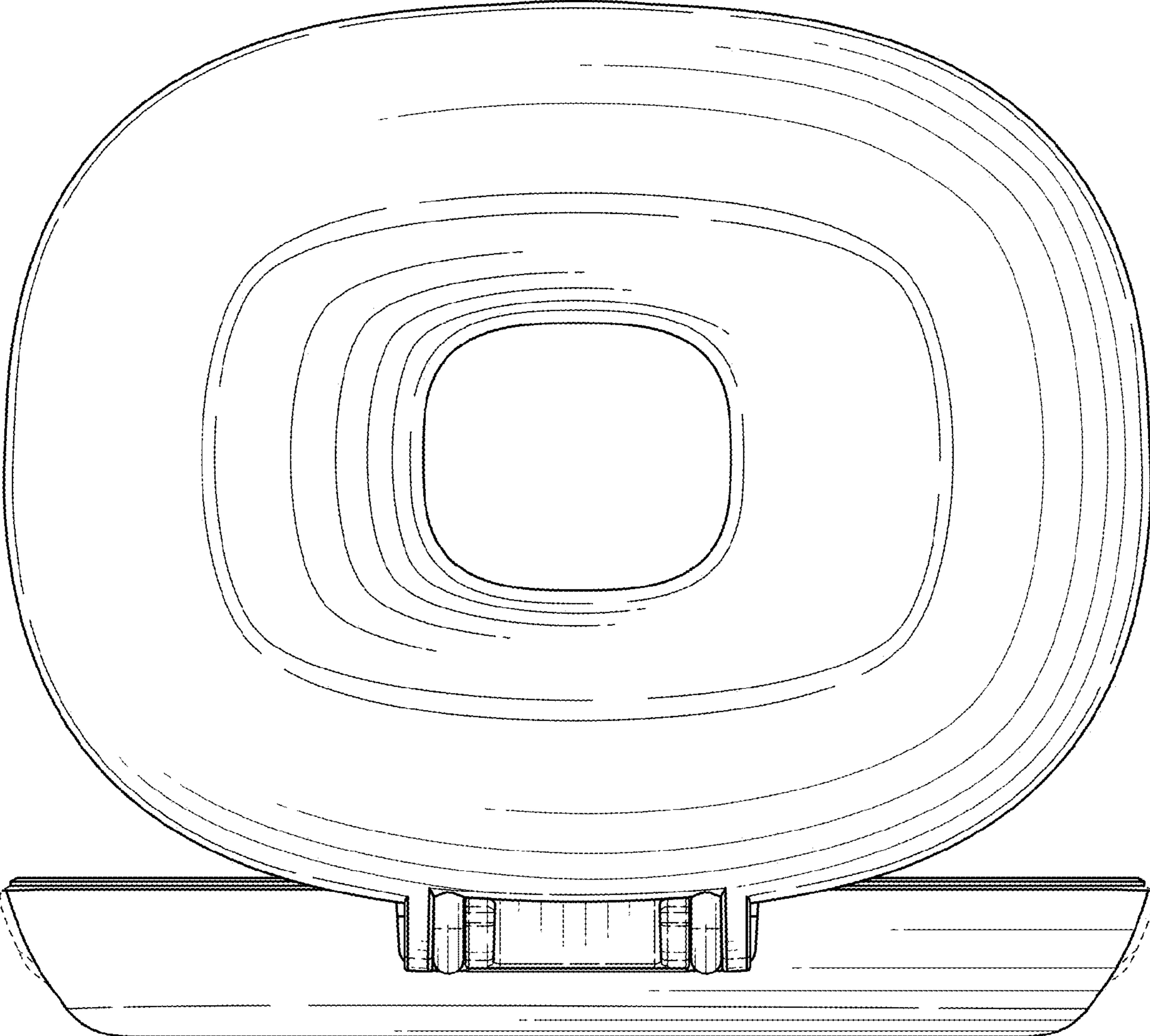


FIG. 3

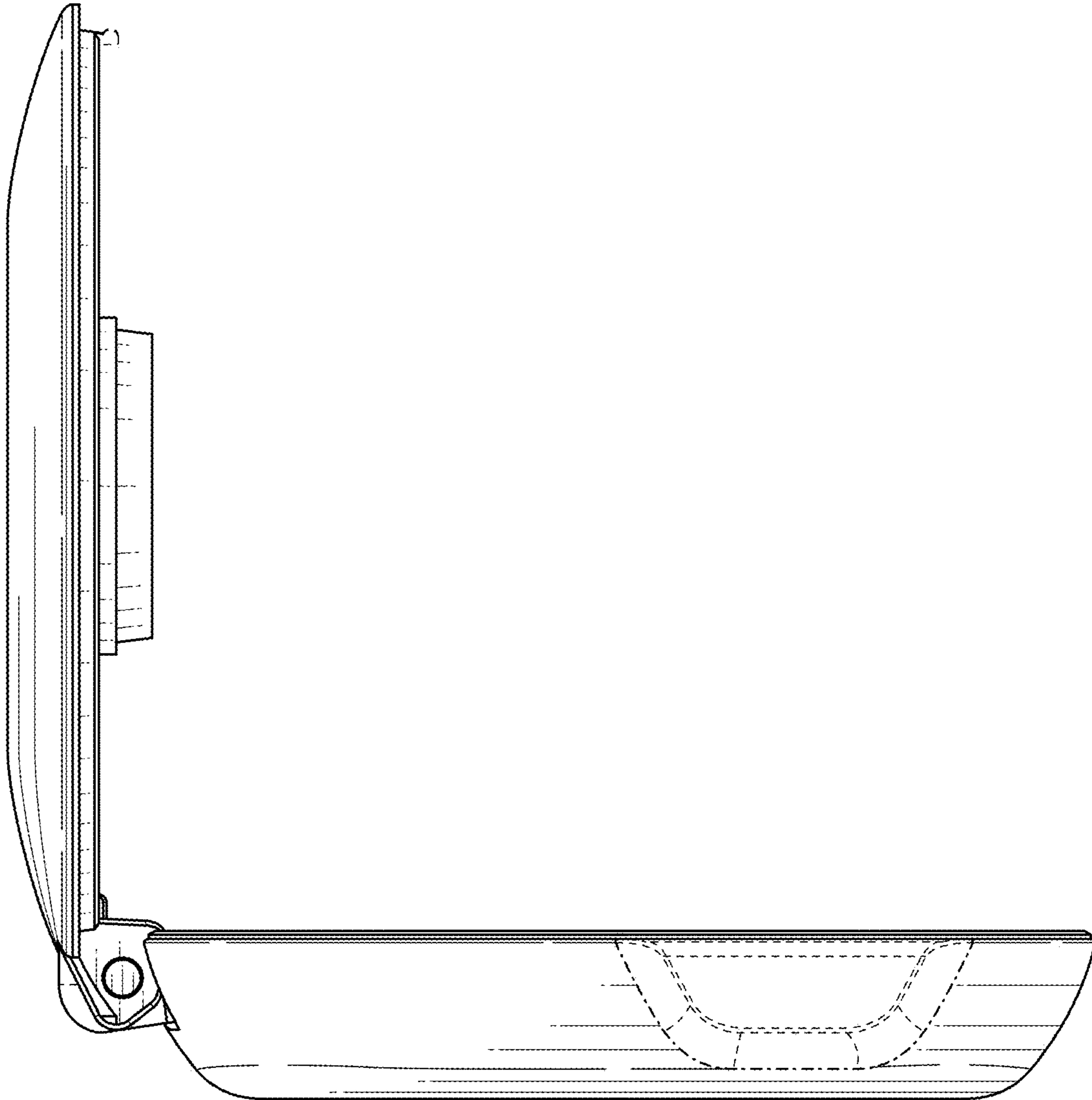


FIG. 4

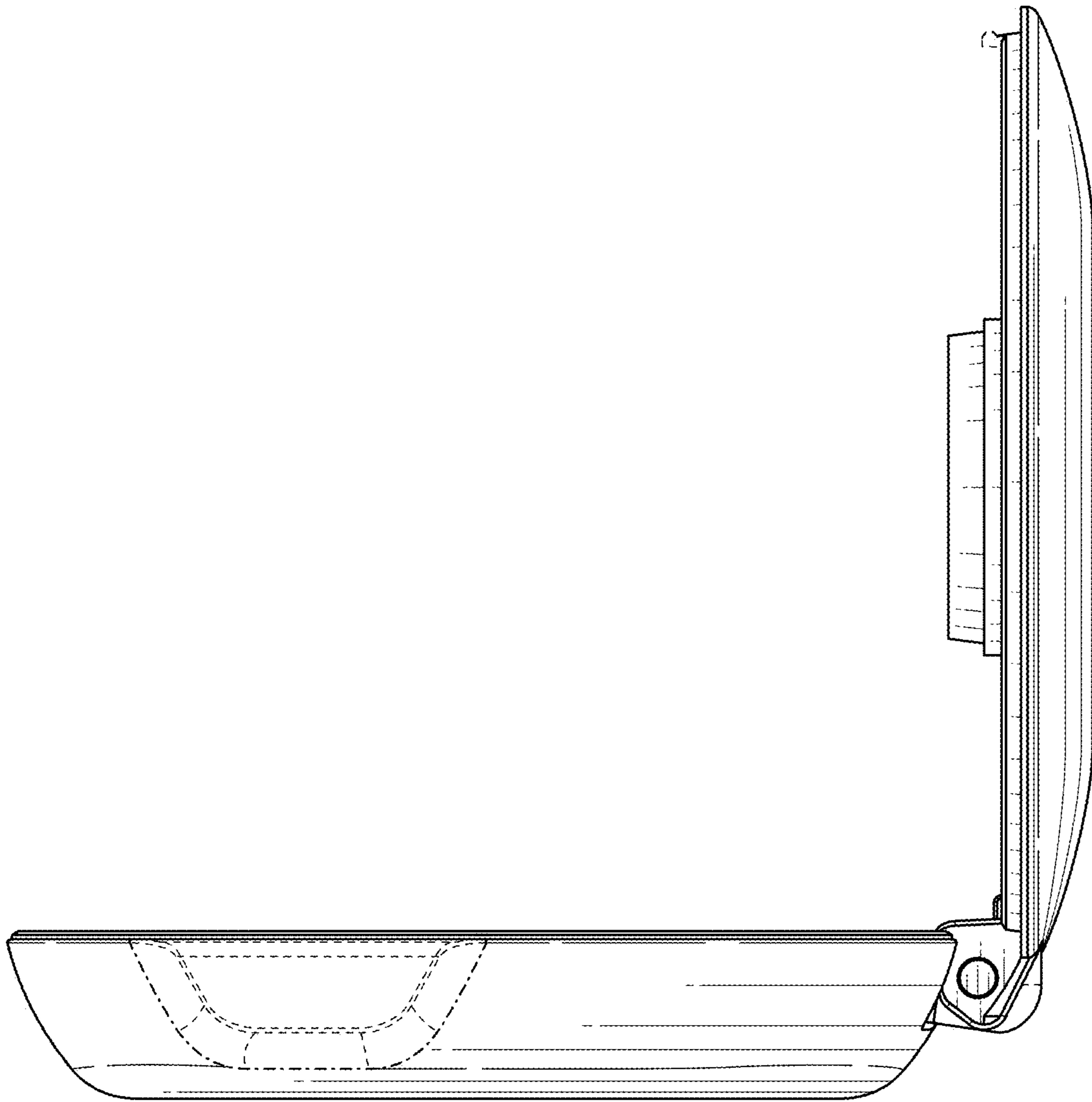


FIG. 5

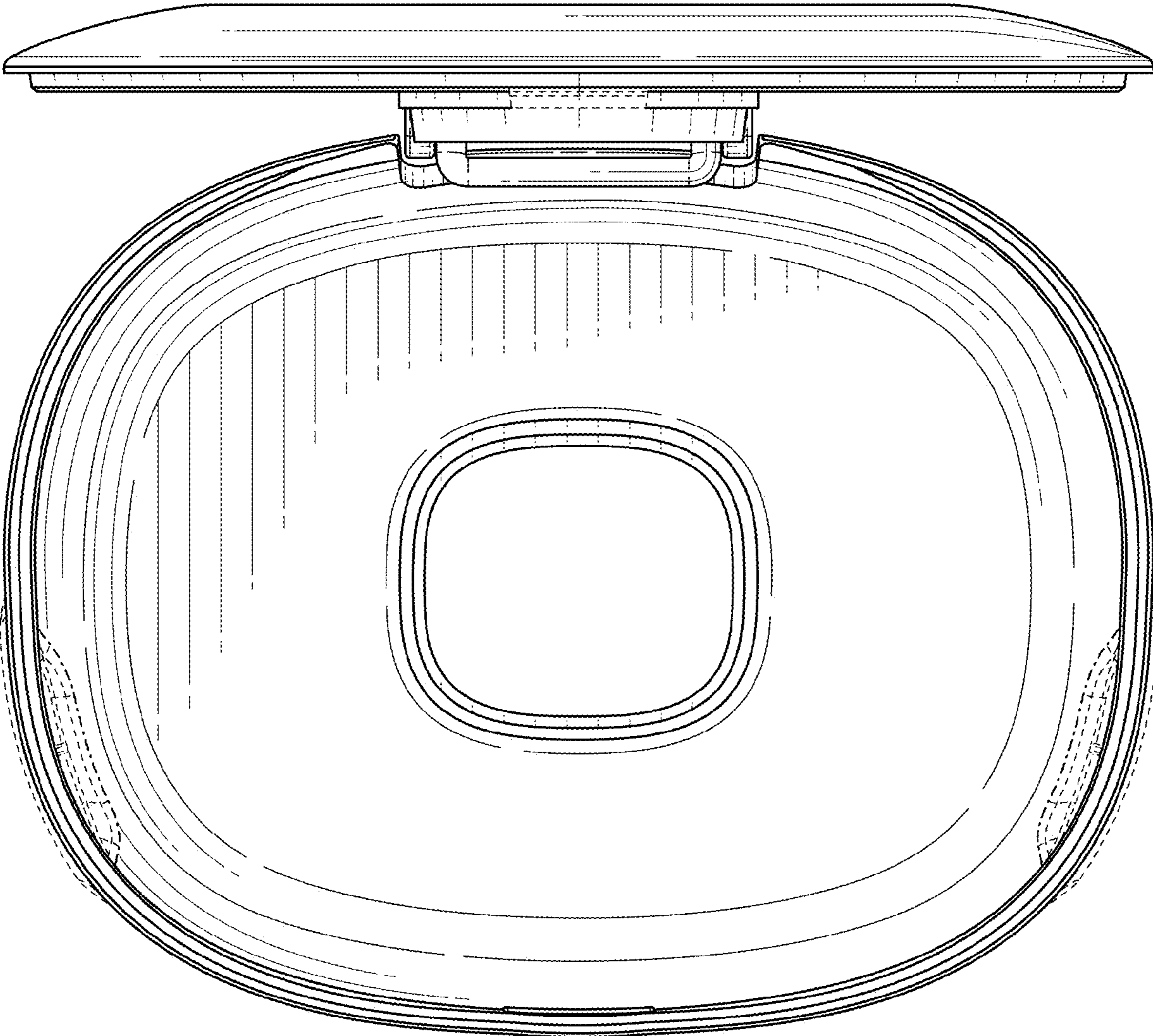


FIG. 6

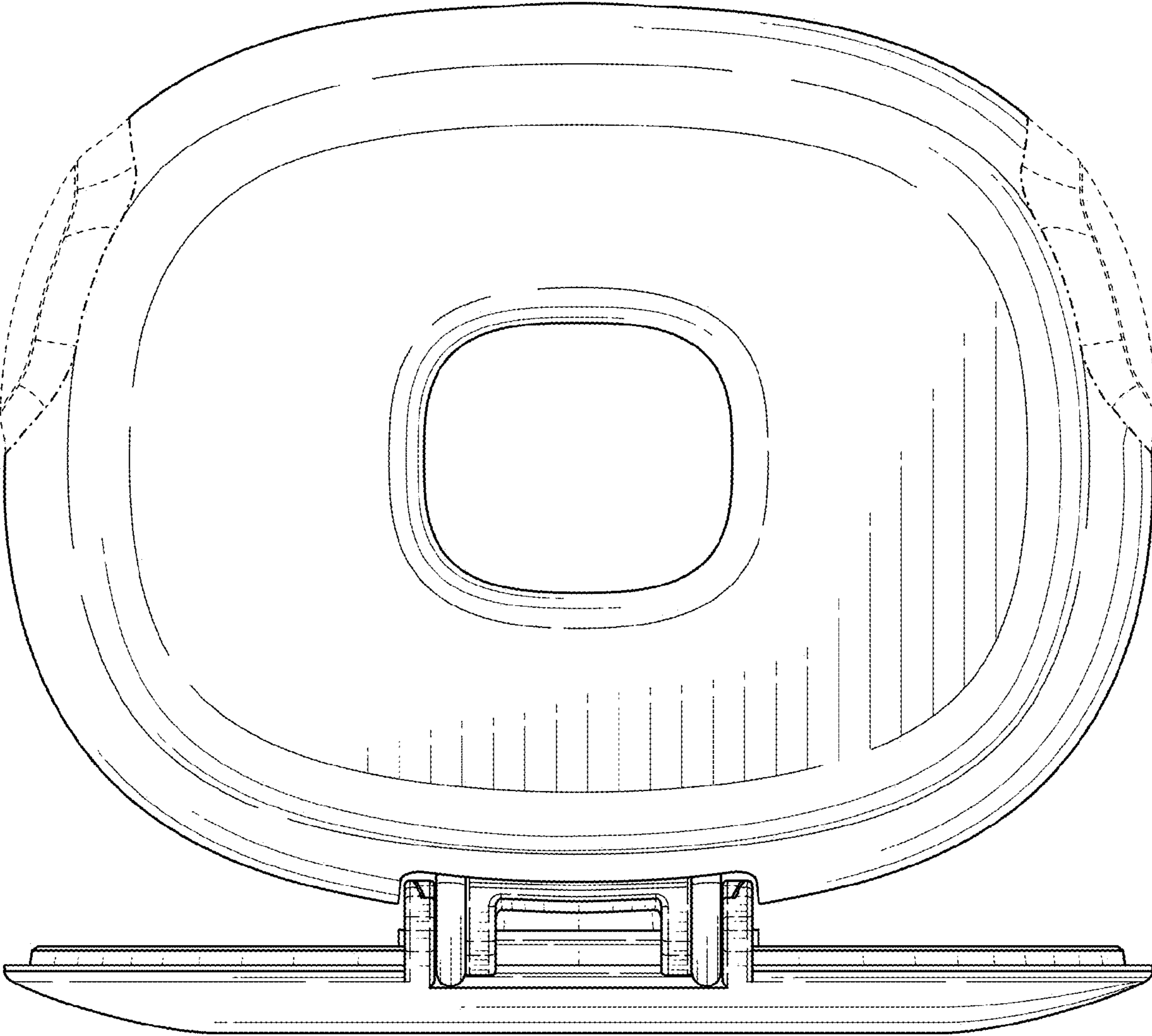


FIG. 7

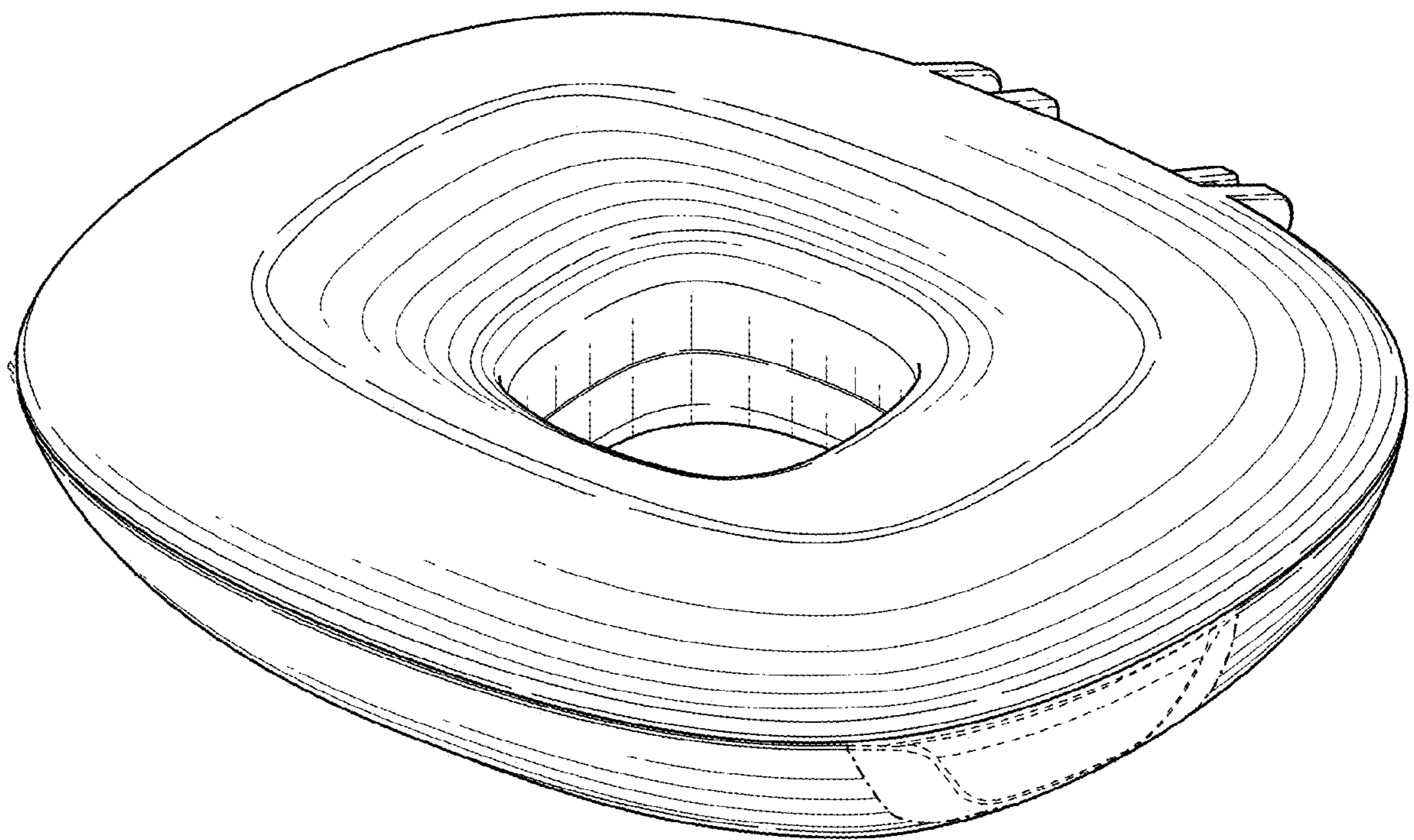


FIG. 8

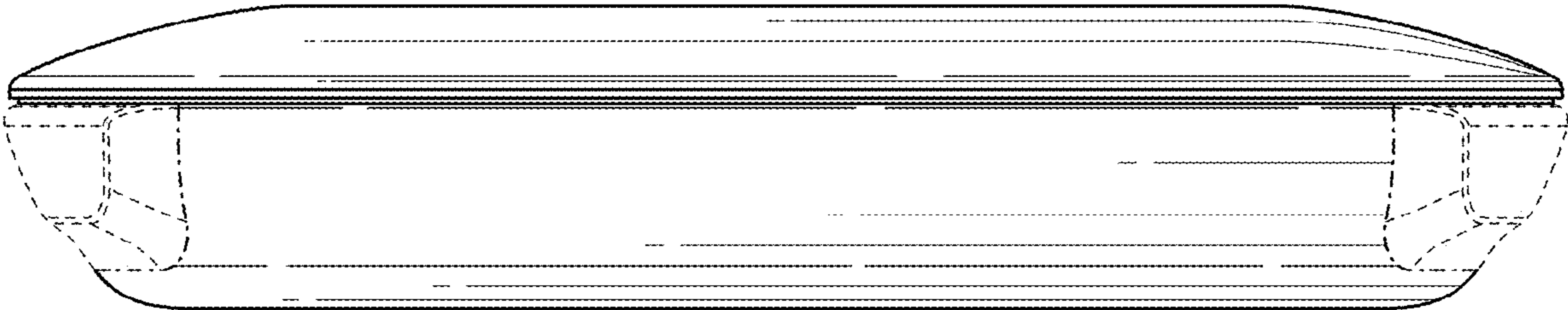


FIG. 9

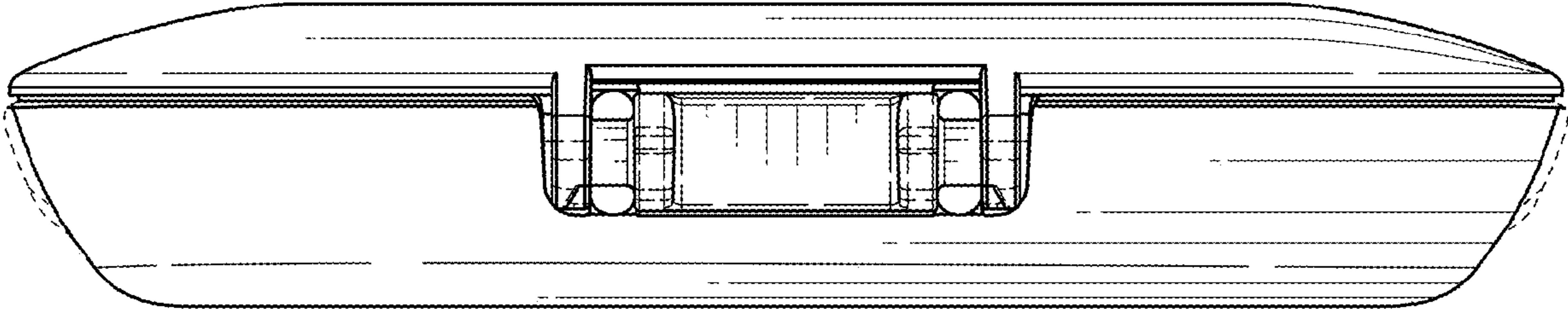


FIG. 10

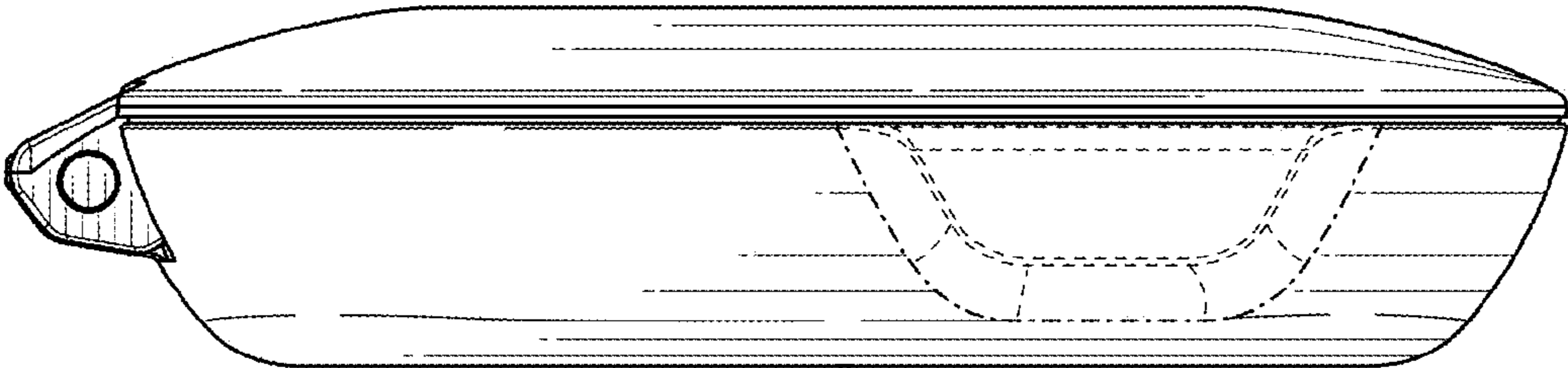


FIG. 11

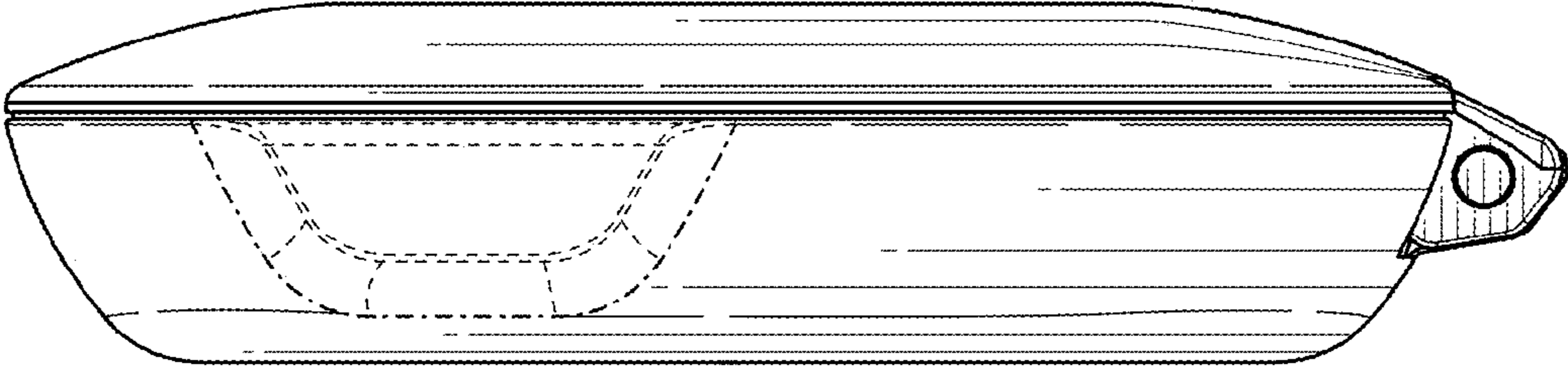


FIG. 12

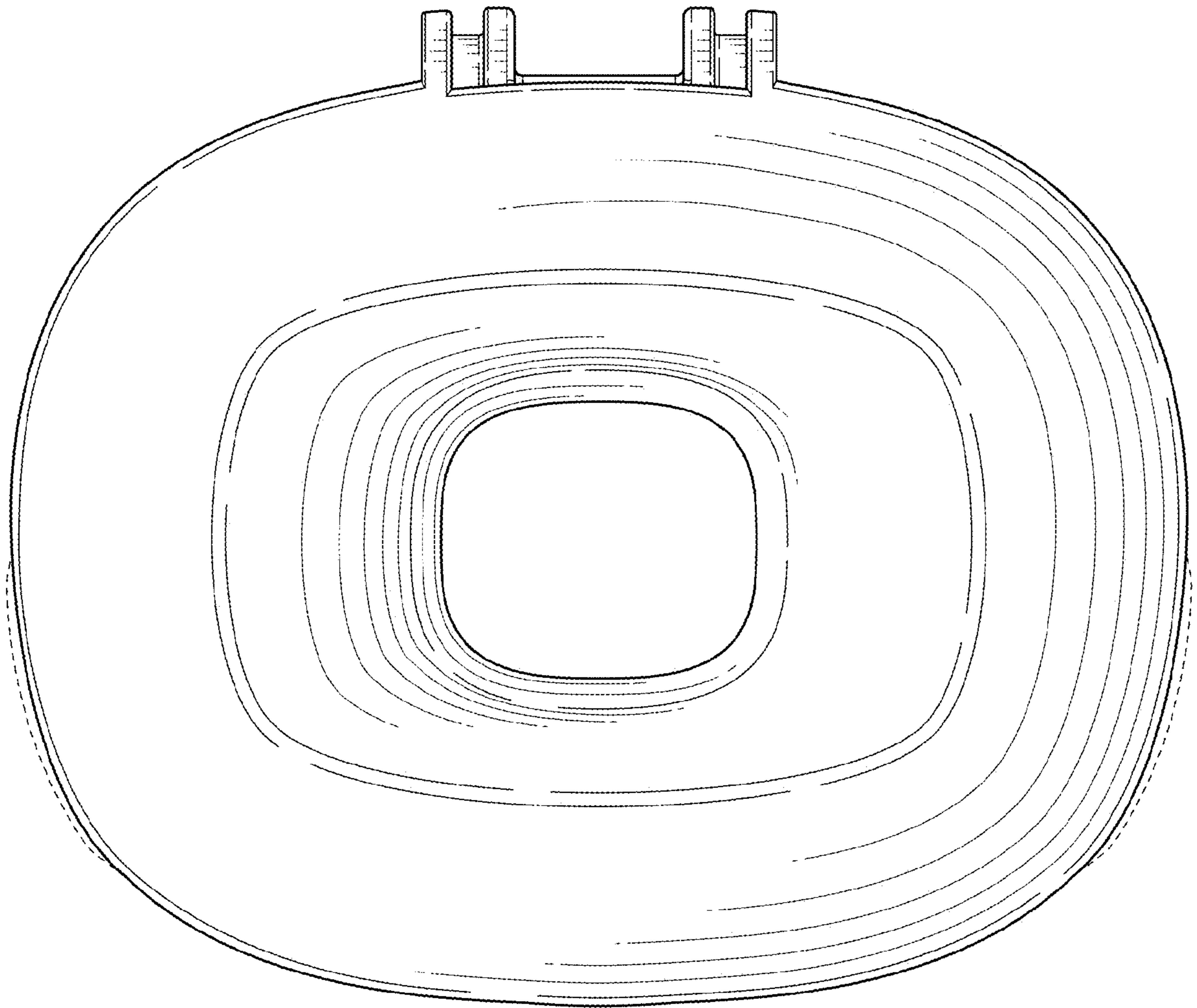


FIG. 13

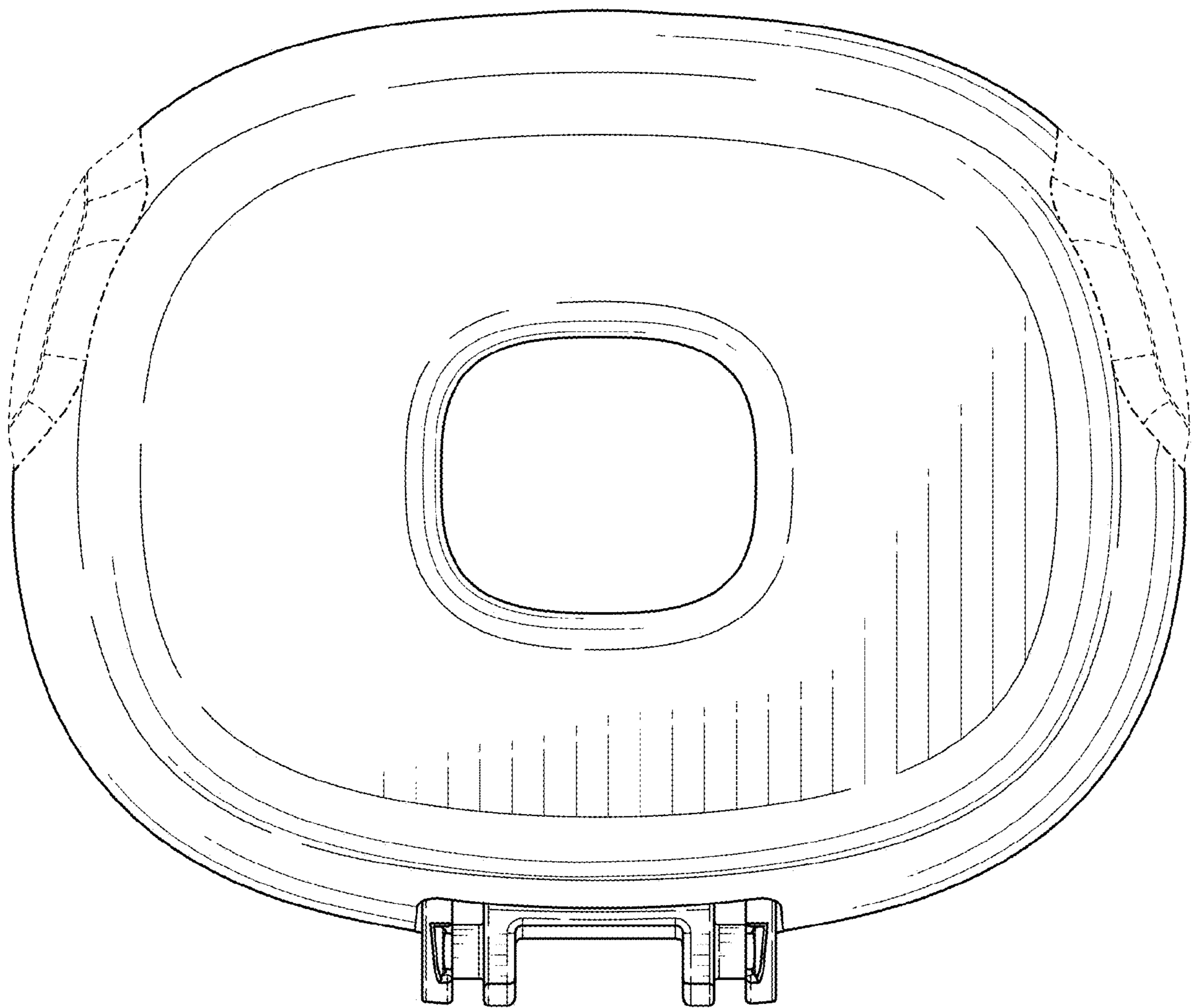


FIG. 14

UNITED STATES PATENT AND TRADEMARK OFFICE
CERTIFICATE OF CORRECTION

PATENT NO. : D883,654 S
APPLICATION NO. : 29/621005
DATED : May 12, 2020
INVENTOR(S) : John Cain et al.

Page 1 of 1

It is certified that error appears in the above-identified patent and that said Letters Patent is hereby corrected as shown below:

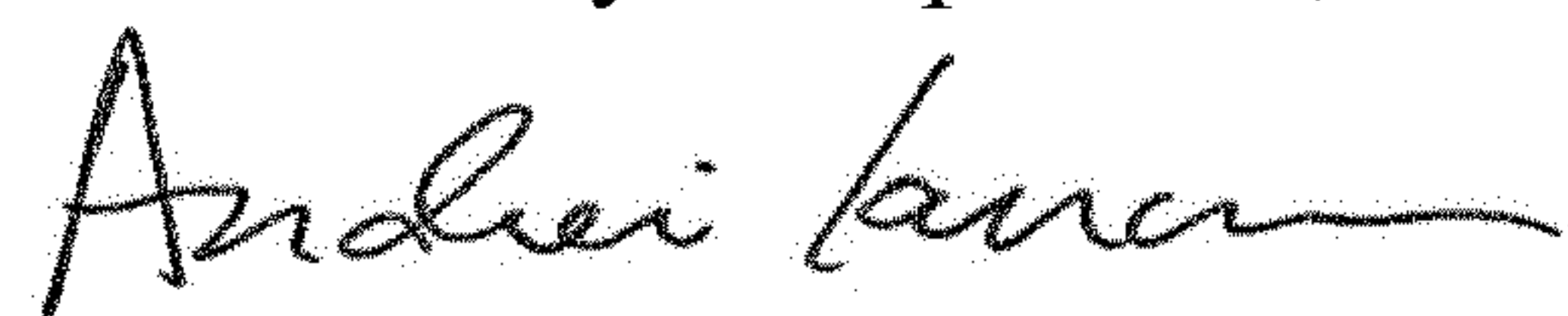
On the Title Page

Column 2, Item (74) (Attorney, Agent, or Firm):

Delete "3M Innovative Properties Compa"

And insert -- 3M Innovative Properties Company --, therefor.

Signed and Sealed this
Fifteenth Day of September, 2020



Andrei Iancu
Director of the United States Patent and Trademark Office